



The average annual per capita paper use in the USA in 2001 was 700 pounds. The average annual per capita paper use in the rest of the world was 110 pounds. This is equal to approximately 28 print outs per day every day. Excessive use of paper wastes landfill space, water, chemicals and the energy resources required to recycle the paper. Join TiLite in its efforts to reduce paper use by filling out this order form online and sending it via email. To learn more [click here](#) or visit: tilite.com/thinkgreen.php.

The TiLite® ZR and ZRA Order Form is a digital order form and may be filled out on your computer using Adobe® Acrobat® or Adobe® Reader®. For your convenience the order form may then be saved and emailed directly to TiLite's Customer Service Team. Adobe® Acrobat® is recommended in order to take full advantage of the functions on this order form.

To save the completed Order Form to your desktop using Adobe® Reader®: (1) Fill out the order form completely (you will not be able to make changes once the order form is saved using this program). (2) Go to File and select Print; (3) Select Adobe PDF from your list of printers; (4) Select Print again; (5) Select the destination where you would like the file saved; and (6) Select Save. The "Quote This Chair" or "Order This Chair" function on page 7 will not work with Adobe® Reader®.

[Click here](#) to download for free Adobe® Reader® or to purchase Adobe® Acrobat®.

TiLite Series 1 Order Form

Effective Jan 1, 2010

TITANIUM RIGID FRAME

Page 1 of 9

DEALER INFORMATION		RTS INFORMATION	
Dealer:		RTS:	Phone:
Account:	PO:	Email:	
Ordered By:		SHIP TO INFORMATION	
Address:		Name:	Ship Via:
City:	State: Zip:	Address:	
Phone:	Fax:	City:	State: Zip:
Email:		Phone:	Fax:
Mark For:		TiLite Information	
		Ship Date:	Order #:

Please Fax to the TiLite Customer Service Team at 866.586.2413 or 509.586.2413

TiLite ZRA shown with Blue Lagoon Color Anodize Package and other available options.



Polished TiLite ZR shown with Sapphire Color Anodize Package and other available options.

FRAME STYLE

TiLite Z Series (250 Pound Weight Limit. For Rear Seat Width **A** and Seat Depth **B** of 15" or greater, use K0009. For Rear Seat Width **A** and Seat Depth **B** of less than 15" use E1229. Weight Limit is restricted to 150 pounds on chairs with Rear Seat Width **A** and Seat Depth **B** from 10"x10" to 12"x12".)

- ZFS2 **TiLite ZRA** (Full Adjustability.).....**\$2,795** **K0009**
E1229
- ZFS1 **TiLite ZR** (Minimal Adjustability.).....**\$2,895** **K0009**
E1229

ZPWR1 **Power Adaptable Frame** (No charge when 20" Rear Seat Width **A** and 20" Seat Depth **B** are selected.

Requires Billet Aluminum Front Wheels and 0° Camber **F**.)**\$300**

ZRFR1 **Reinforced Frame** (No charge when 20" Rear Seat Width **A** and 20" Seat Depth **B** are selected.)**\$300**

FRAME FINISHES

Natural Titanium

- ZRFF1 Satin**STD**
- ZRSCBT1** **Satin Finish Buffing Pads**.....**\$15**
- ZRFF2 Polished**\$650**
- ZRFF3** **Tattooed Titanium™** (Tattoos on front frame tubes. Frame finished in Satin. Click on the images below to view the Tattoos online.)**\$250**

ZRFF4 **Rock & Roll**



ZRFF5 **Retro**



ZRFF6 **Mother Nature**



ZRFF7 **Henna**



THE ULTIMATE RIDE.®

tilite.com
 1426 East Third Avenue | Kennewick, Washington 99337
 509.586.6117 Tel | 800.545.2266 Toll-Free
 509.586.2413 Fax | 866.586.2413 Toll-Free Fax

FRAME FINISHES

High Gloss Paint

ZRFF8 Super Wet Black
 ZRFF11 Military Green

ZRFF9 Sunburst Yellow
 ZRFF12 Orange Crush

ZRFF10 TiLite Red
 ZRFF13 Hot Pink**STD**

Metallic Paint

ZRFF14 Ocean Blue Metallic

ZRFF15 Tangerine Metallic

ZRFF16 Salsa Red Metallic.....**STD**

Pearlescent Paint

ZRFF17 Midnight Blue Pearl

ZRFF18 White Pearl**STD**

Matte Paint

ZRFF19 Black Lava

ZRFF20 Deep Blue Ice

ZRFF21 Scarlet Ice.....**STD**

Candy Paint

ZRFF22 Ruby Red

ZRFF25 Electric Plum

ZRFF23 Azure Blue

ZRFF26 Atomic Green

ZRFF24 Root Beer Candy

STD

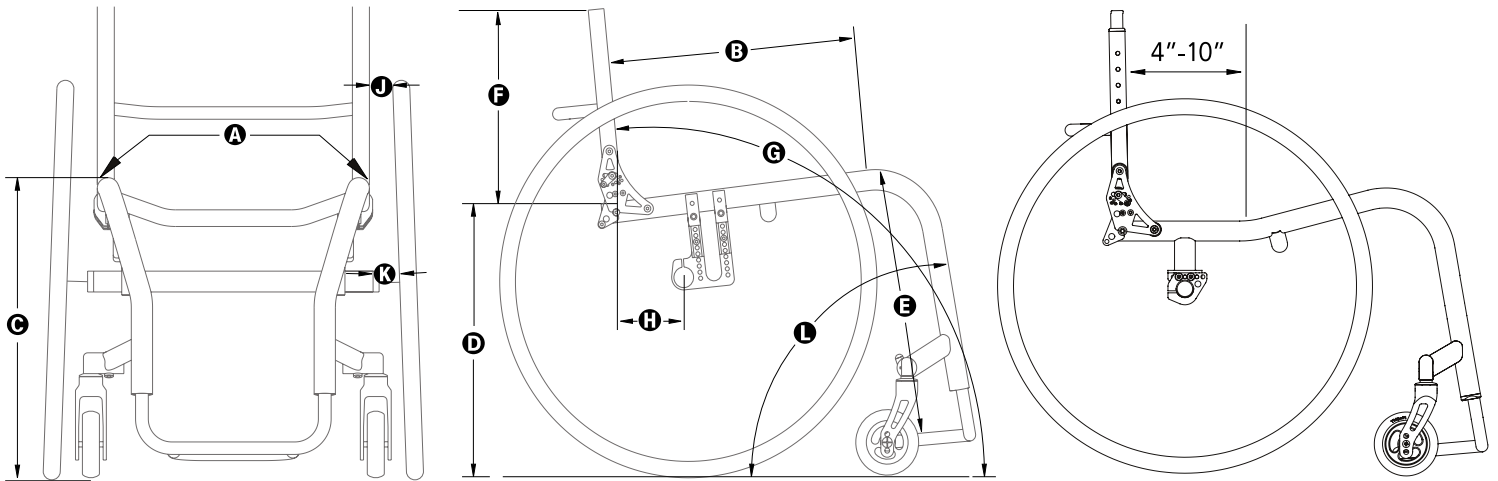
COLOR ANODIZE PACKAGE

(Color Anodize Package for ZR/ZRA includes: Camber Tube, Camber Mount, Footrest Clamp, Caster Fork, and Caster Mount (not included on ZR).)

ZANO1 Black**STD**

ZANO2 Blue Lagoon ZANO3 Red Pepper ZANO4 Green Apple ZANO5 Sapphire**\$95**

FRAME MEASUREMENTS



REAR SEAT WIDTH (A) Measure from outside of seat tube at back post to the outside of the opposite seat tube at back post.

(Weight Limit is restricted to 150 pounds on chairs with Rear Seat Width (A) and Seat Depth (B) from 10"x10" to 12"x12".)

ZRSW1 10" 11" 12" 13" 14" 15" 16" 17" 18" 19".....**STD**

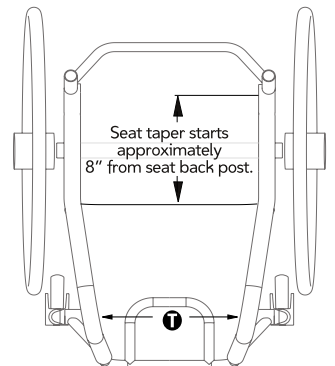
ZRSW2 20".....**\$300 E2201**

FRONT SEAT WIDTH (SEAT TAPER) (I) Measure from inside of front frame tube to inside of opposite front frame tube.

ZFSW1 No Taper (2.5" Narrower than Rear Seat Width.).....**STD**

ZFSW2 1.5" Taper (4" Narrower than Rear Seat Width. Includes Tension Adjustable by Straps Seat Upholstery.).....**\$250**

ZFSW3 2.5" Taper (5" Narrower than Rear Seat Width. Includes Tension Adjustable by Straps Seat Upholstery.).....**\$250**



FRAME MEASUREMENTS

SEAT DEPTH ② Measure from front of back post to the front edge of seat sling. Front edge of seat sling will be at the beginning of the bend at front of chair frame, unless Frog Legs® or a 90° Front Angle is ordered, in which case front edge of seat sling begins approximately 1" behind the bend.

- ZSD1 10" 11" 12" 13" 14" 15" 16" 17" 18" 19"**STD**
 ZSD2 20"**\$300 E2203**
 ZSD3 Frame Depth Longer or Shorter Than Seat Depth (A Custom Frame Depth of 20" is \$450 if Seat Depth ② of 20" is not also selected.)**\$150**
 Custom Frame Depth: _____"

ERGONOMIC SEAT Measure from front of back post to beginning of upward bend of seat tube. (ZR only.)

- ZERG1 4" 5" 6" 7" 8" 9" 10"**\$300**

FRONT SEAT HEIGHT ③ Measure from floor to top of seat tube at beginning of bend. ZRA adjusts up and down in 1/2" increments.

- ZFSH1 16" 16.5" 17" 17.5" 18" 18.5" 19" 19.5" 20" 20.5" 21"**STD**

REAR SEAT HEIGHT ④ Measure from floor to top of seat tube at back post. ZRA adjusts up and down in 1/2" increments.

REAR SEAT HEIGHT RANGES

Rear Wheel Size	ZRA Rear Seat Heights ④	ZR Rear Seat Heights ④	ZRSR1	<input type="checkbox"/> 12.5"	<input type="checkbox"/> 13"	<input type="checkbox"/> 13.5"	<input type="checkbox"/> 14"
20"	12.5" - 18.5"	12.5" - 20"		<input type="checkbox"/> 14.5"	<input type="checkbox"/> 15"	<input type="checkbox"/> 15.5"	<input type="checkbox"/> 16"
22"	14.0" - 19"	14.0" - 20"		<input type="checkbox"/> 16.5"	<input type="checkbox"/> 17"	<input type="checkbox"/> 17.5"	<input type="checkbox"/> 18"
24"	14.5" - 20"	14.5" - 20"		<input type="checkbox"/> 18.5"	<input type="checkbox"/> 19"	<input type="checkbox"/> 19.5"	<input type="checkbox"/> 20" STD
25"	14.5" - 20"	14.5" - 20"					
26"	15.5" - 20"	15.5" - 20"					

FRONT ANGLE ① Measure from frame front to floor.

- ZFA1 70° 75° 80° 85° (85° Not available with 6" Front Wheels.) 90° (90° Not available with 5" or 6" Front Wheels.)**STD**

SEAT TO FOOTREST ⑤/FOOTRESTS Measure from front edge of seat sling to top rear of footrest. **Measurement must be at least 2" shorter than Front Seat Height ③.**

STANDARD FOOTRESTS

- 13.5" 14" 14.5" 15" 15.5" 16" 16.5" 17" 17.5" 18" 18.5" 19"
- ZFTR3 Angle Adjustable Footrest**STD K0040**
 ZFTR1 Titanium Footrest w/Flat ABS Cover.....**\$150**
 ZFTR2 Titanium Open Loop Footrest**\$200**
 ZFTR12 Titanium Flip-Back Footrest (Not available w/ 10" or 11" Rear Seat Width ⑥, ABS Cover w/ 2" Sides, or V-Front End.)**\$150**

HIGH MOUNT FOOTREST

- 7"-9" 9"-11" 11"-13" Set at: _____ (Use 1/2" increments)
- ZFTR4 Angle Adjustable High Mount Footrest.....**\$85 K0040**

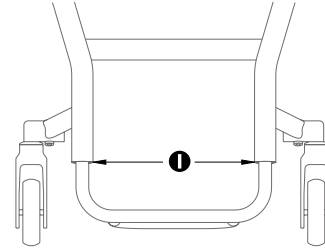
- ZFTR5 **ABS Cover w/2" Sides** (Not available with Flip-Back Footrest or chairs with 10" or 11" Rear Seat Width ⑥).....**\$95 K0041**

FRAME MEASUREMENTS

FOOTREST WIDTH ❶ or ❷ Select either a Standard Front End if no Seat Taper ❶ is selected on page 2 or a V-Front End if a Seat Taper ❶ is selected on page 2.**STD**

STANDARD FRONT END ❶ ZFW1 Find your Rear Seat Width **A** in the chart below and select one of the options to the right. Measure from inside of front frame tube to inside of opposite front frame tube.

REAR SEAT WIDTH A (Outside Measurement)	FOOTREST WIDTH ❶		
	No Taper (2.5" Narrower than Rear Seat Width)	1.5" Taper (4" Narrower than Rear Seat Width)	3.5" Taper (6" Narrower than Rear Seat Width)
10"	<input type="checkbox"/> 7.5"		
11"	<input type="checkbox"/> 8.5"		
12"	<input type="checkbox"/> 9.5"	<input type="checkbox"/> 8"	
13"	<input type="checkbox"/> 10.5"	<input type="checkbox"/> 9"	
14"	<input type="checkbox"/> 11.5"	<input type="checkbox"/> 10"	
15"	<input type="checkbox"/> 12.5"	<input type="checkbox"/> 11"	<input type="checkbox"/> 9"
16"	<input type="checkbox"/> 13.5"	<input type="checkbox"/> 12"	<input type="checkbox"/> 10"
17"	<input type="checkbox"/> 14.5"	<input type="checkbox"/> 13"	<input type="checkbox"/> 11"
18"	<input type="checkbox"/> 15.5"	<input type="checkbox"/> 14"	<input type="checkbox"/> 12"
19"	<input type="checkbox"/> 16.5"	<input type="checkbox"/> 15"	<input type="checkbox"/> 13"
20"	<input type="checkbox"/> 17.5"	<input type="checkbox"/> 16"	<input type="checkbox"/> 14"



OR

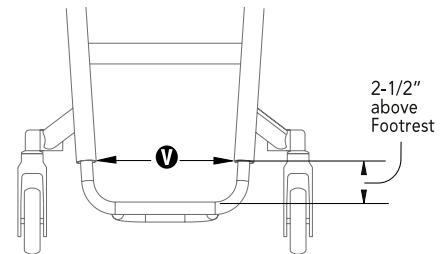
V-FRONT END ❷ Measure from inside of front frame tube to inside of opposite front frame tube 2-1/2" above footrest. (Not available with Flip-Back Footrest.)

NO V-Front Taper

OR

FOOTREST WIDTH ❷

- 7" 7.5" 8" 8.5" 9" 9.5"
- 10" 10.5" 11" 11.5" 12" 12.5"
- 13" 13.5" 14" 14.5" 15" 15.5"
- 16" 16.5" 17" 17.5" 18"



CHAIR OPTIONS

SEAT BACK HEIGHT ③/SEAT BACKS/PUSH HANDLES Measure from top of back post to top of seat tube at rear of frame.

FOLDING, ADJUSTABLE-HEIGHT SEAT BACK

- ZSB1 Aluminum w/Black Aluminum TiShaft™ Back Release Bar.....**STD**
 - ZSB2 w/Bolt-On Push Handles (Includes 4" Deep Backrest Rigidizer Bar. Not available with Ti Back.).....**\$175**
 - ZSB3 w/Bolt-On Height-Adjustable Push Handles (Includes 4" Deep Backrest Rigidizer Bar. Not available with Ti Back.)**\$295**
 - ZSB4 Titanium w/Titanium TiShaft™ Back Release Bar (Titanium back will match Frame Finish. Not available with Bolt-On Push Handles.).....**\$195**
- 8.5" - 12.5" 12.5" - 16.5" 16.5" - 20.5" **Set at:** _____ (Use 1/2" increments)

FOLDING, ADJUSTABLE-HEIGHT SEAT BACK WITH INTEGRATED PUSH HANDLES

- ZSB5 Aluminum w/Black Aluminum TiShaft™ Back Release Bar.....**NCO**
 - ZSB6 Titanium w/Titanium TiShaft™ Back Release Bar (Titanium back will match Frame Finish.).....**\$195**
- 10.5" - 12.5" 13.5" - 16.5" 17.5" - 20.5" **Set at:** _____ (Use 1/2" increments)

FOLDING, ADJUSTABLE-HEIGHT SEAT BACK WITH INTEGRATED FOLD-DOWN PUSH HANDLES (Requires Tension

Adjustable by Straps Back Upholstery.)

- ZSB7 Aluminum w/Black Aluminum TiShaft™ Back Release Bar.....**\$100**
 - ZSB8 Titanium w/Titanium TiShaft™ Back Release Bar (Titanium back will match Frame Finish.).....**\$295**
- 12.5" - 14.5" 14.5" - 19" 18.5" - 21" **Set at:** _____ (Use 1/2" increments)

AVAILABLE ON ALL BACKS

- ZSB9 4" Deep Backrest Rigidizer Bar.....**NCO**
- ZSB10 Depth Adjustable Back (Not Available with 19" or 20" Seat Depths or on ZR. Seat Depths ③ of 10"-15" allow 3" of rearward adjustment. Seat Depths ③ of 16"-18" allow 2" of rearward adjustment. Not available with TiShaft™ Back Release Bar, Carbon Fiber Side Guards, Swing Away Tubular Arms or Desk Arms. Depth Adjustable Back comes with a pull cord back release.).....**\$185**
- ZSB11 Backrest that Locks when Folded.....**\$75**

SEAT BACK ANGLE ④ Measure angle from front of back post to floor. 90° will be perpendicular to the floor. To approximate the angle from the back post to the seat, subtract 2 degrees from measurement ④ for every .5" of dump.

- ZSBA1 80° 83° 86° 89° 92° 95° 98° 101°.....**NCO**

CENTER OF GRAVITY ⑤ Measure from front of back post at the seat tube to the center of the rear axle. If no center of gravity is selected, chair will ship with the center of gravity in the rearward-most position.

- ZCOG1 1" 1.25" 1.5" 1.75" 2" 2.25" 2.5" 2.75" 3" 3.25" 3.5" 3.75" 4" 4.25" 4.5" 4.75" 5" 5.25" 5.5" 5.75" 6".....**STD**

REAR WHEEL SPACING ⑥ Measure from outside of seat back post to inside of rear tire. 3/4" Rear Wheel Spacing not available with 0° or 2° Camber ⑦.

- ZRWS1 .75" 1" 1.25" 1.5" 1.75" 2".....**STD**

CAMBER ⑦/CAMBER TUBES

- ZCBR1 0° 2° 4° 6° 8° 12°.....**STD**
- ZCBR2 15° 18°.....**\$75**
- ZCBR3 Titanium Camber Tube**\$50**
- ZCBR6 Carbon Fiber Camber Tube**\$175**
- ZCBR4 Additional Aluminum Camber Tube 0° 2° 4° 6° 8° 12° 15° 18°.....**\$100**
- ZCBR5 Additional Titanium Camber Tube 0° 2° 4° 6° 8° 12° 15° 18°.....**\$100**
- ZCBR7 Additional Carbon Fiber Camber Tube 0° 2° 4° 6° 8° 12° 15° 18°.....**\$225**
- Additional Spacers to Increase Rear Wheel Spacing.....**NCO**

CHAIR OPTIONS

FRONT WHEELS

ZFW1	<input type="checkbox"/>	3"x.75"	Micro-Caster.....	STD
ZFW2	<input type="checkbox"/>	3"x.75"	Light-Up Micro-Caster.....	\$65
ZFW14	<input type="checkbox"/>	4"x.75"	Plastic Wheel w/Poly Tire.....	NCO
ZFW3	<input type="checkbox"/>	4"x.75"	Light-Up Micro-Caster.....	\$65
ZFW4	<input type="checkbox"/>	4"x.75"	Billet Aluminum Wheel w/Poly Tire	\$125
ZFW5	<input type="checkbox"/>	4"x1"	2-Piece Billet Aluminum Wheel w/Soft Roll Tire	\$165
ZFW15	<input type="checkbox"/>	4"x1.5"	Plastic Wheel w/Poly Tire.....	\$75
ZFW6	<input type="checkbox"/>	5"x1"	Plastic Wheel w/Poly Tire (Not available with 90° Front Angle ①).....	NCO
ZFW7	<input type="checkbox"/>	5"x1"	Billet Aluminum Wheel w/Poly Tire	\$145
ZFW8	<input type="checkbox"/>	5"x1"	2-Piece Billet Aluminum Wheel w/Soft Roll Tire	\$185
			(Not available with 90° Front Angle ①).....	
ZFW16	<input type="checkbox"/>	5"x1.5"	Plastic Wheel w/Poly Tire (Not available with 90° Front Angle ①).....	\$75
ZFW9	<input type="checkbox"/>	6"x1"	Plastic Wheel w/Poly Tire (Not available with 85° or 90° Front Angle ①).....	NCO
ZFW11	<input type="checkbox"/>	6"x1"	Billet Aluminum Wheel w/Poly Tire	\$165
			85° or 90° Front Angle ①).....	
ZFW10	<input type="checkbox"/>	6"x1.25"	Plastic Wheel w/Pneumatic Tire (Not available with 85° or 90° Front Angle ①).....	\$65
ZFW12	<input type="checkbox"/>	6"x1.25"	Billet Aluminum Wheel w/Pneumatic Tire	\$165
			(Not available with 85° or 90° Front Angle ①).....	
ZFW13	<input type="checkbox"/>	6"x1.25"	2-Piece Billet Aluminum Wheel w/Soft Roll Tire (Not available with 85° or 90° Front Angle ①).....	\$195
ZFRG1	<input type="checkbox"/>		Frog Legs® Suspension Forks (Available in Silver anodize only).....	\$385 E1015
ZCPL1	<input type="checkbox"/>		Caster Pin Locks (Not available with Frog Legs®).....	\$225 K0073
ZFW0	<input type="checkbox"/>		Omit Front Wheels (Must Choose Wheel Size Above).....	\$20

REAR WHEELS See Rear Seat Height Ranges chart on Page 2 for Rear Seat Height ① limitations.

ZRW1 Spinergy WIRE Wheel w/Low Flange Hub				STD											
	<input type="checkbox"/>	20"(451)													
	<input type="checkbox"/>	22"(501)													
	<input type="checkbox"/>	24"(540)													
	<input type="checkbox"/>	25"(559) (Requires 15" minimum Seat Depth ②)													
	<input type="checkbox"/>	26"(590) (Requires 15" minimum Seat Depth ②)													
ZRW2 TiLite Wheel w/High Flange Hub				\$225											
	<input type="checkbox"/>	24"(540)													
	<input type="checkbox"/>	25"(559) (Requires 15" minimum Seat Depth ②)													
	<input type="checkbox"/>	26"(590) (Requires 15" minimum Seat Depth ②)													
ZRW3 Spinergy SPOX	<input type="checkbox"/>	Black	<input type="checkbox"/>	Red	<input type="checkbox"/>	Yellow	<input type="checkbox"/>	Blue	<input type="checkbox"/>	White	\$695				
	<input type="checkbox"/>	22"(501) - Std. Hub													
	<input type="checkbox"/>	24"(540) - Std. Hub													
	<input type="checkbox"/>	25"(559) - Std. Hub (Requires 15" minimum Seat Depth ②)													
	<input type="checkbox"/>	26"(590) - Sport Hub (Requires 15" minimum Seat Depth ②)													
ZRW4 Spinergy LX	<input type="checkbox"/>	Black	<input type="checkbox"/>	Red	<input type="checkbox"/>	Yellow	<input type="checkbox"/>	Blue	<input type="checkbox"/>	White	<input type="checkbox"/>	Go Green	<input type="checkbox"/>	Bright Orange	\$895
		Flamingo Pink (Please allow an additional 2-3 weeks delivery on Go Green, Bright Orange and Flamingo Pink.)													
	<input type="checkbox"/>	22"(501) - Std. Hub													
	<input type="checkbox"/>	24"(540) - Std. Hub													
	<input type="checkbox"/>	25"(559) - Std. Hub (Requires 15" minimum Seat Depth ②)													
	<input type="checkbox"/>	26"(590) - Sport Hub (Requires 15" minimum Seat Depth ②)													
ZRW5 Skyway Mags	<input type="checkbox"/>	22"	<input type="checkbox"/>	24"								\$50			
ZRW0	<input type="checkbox"/>	Omit Rear Wheels (Must Choose Wheel Size Above and Tire Type Below).....										\$50			

AXLES

ZAXL1	<input type="checkbox"/>	Stainless Quick Release.....		STD
ZAXL2	<input type="checkbox"/>	Titanium Quick Release (Not available with TiLite Wheel with High Flange Hub, 26"(590) Spinergy SPOX or LX, Skyway Mags, Spinergy WIRE Rear Wheels or Power Adaptable Frame.).....		\$195
ZAXL3	<input type="checkbox"/>	Quad Release (Not available with Skyway Mags or 26"(590) Spinergy Spox or LX Rear Wheels.).....		\$95

PNEUMATIC REAR TIRES

ZRTR1	<input type="checkbox"/>	Treaded (Not available with 25"(559) Rear Wheels.)		STD					
	<input type="checkbox"/>	ZRTR2	Airless Inserts	\$70 E2213					
ZRTR3	<input type="checkbox"/>	25" Primo Treaded (Standard with 25"(559) Rear Wheels.).....		STD					
ZRTR4	<input type="checkbox"/>	Primo		NCO					
ZRTR5	<input type="checkbox"/>	24", 25" and 26" Kenda® High Pressure (110psi)	<input type="checkbox"/>	Grey	<input type="checkbox"/>	Red	<input type="checkbox"/>	Blue	\$65
ZRTR6	<input type="checkbox"/>	24" Grey Knobby (Requires TiLite Wheel with High Flange Hub.).....		\$75					
ZRTR7	<input type="checkbox"/>	26" Black Knobby (Requires TiLite Wheel with High Flange Hub or Spinergy SPOX or Spinergy LX Rear Wheels.).....		\$75					
ZRTR8	<input type="checkbox"/>	24", 25" and 26" Schwalbe® Marathon Plus Evolution.....		\$95					
ZRTR9	<input type="checkbox"/>	24" and 25" Schwalbe® SpeedRun.....		\$110					

CHAIR OPTIONS

SOLID REAR TIRES

- ZRTR10 20" (451) Street Tread..... \$65
- ZRTR11 22" (501) Pyramid..... \$65
- ZRTR12 24"(540) and 25"(559) HerringboneTread..... \$80
- ZRTR13 24"(540) and 25"(559) Treaded..... \$80

HANDRIMS

Handrim Type

- ZRIM1 Aluminum – Silver Anodized..... **STD**
- ZRIM2 Titanium *(Not available with Skyway Mags, 20" or 22" Rear Wheels, or 24" Knobby tires.)*
 - Satin Finish..... \$400
 - Polished Finish..... \$550
- ZRIM3 The Natural-Fit® (Original, Larger Profile) *(Not available with Skyway Mags.)*
 - Standard Grip *(Not available with short tabs.)*..... \$295
 - Super Grip *(Not available with short tabs.)*..... \$340
 - Without Thumb Grip..... **\$270**
- ZRIM4 The Natural-Fit® LT (Reduced Weight, Smaller Profile) *(Not available with Skyway Mags.)*
 - Standard Grip *(Not available with short tabs.)*..... \$325
 - Super Grip *(Not available with short tabs.)*..... \$370
 - Without Thumb Grip..... **\$300**
- ZRIM9 Spinergy FlexRim (Available only on 24" and 25" Spinergy LX Rear Wheels. Please allow an additional 2-3 weeks delivery.) \$495
- ZRIM5 Plastic Coated – Black..... \$95
- ZRIM6 Projections - 8 Vertical Projections *(Not available with 20", 22" or 26" Rear Wheels or Skyway Mags.)*..... \$240
- ZRIM0 Omit Handrims..... \$15

Tab Length

- ZRIM7 Long Tabs..... **STD**
- ZRIM8 Short Tabs *(Not available with Skyway Mags or The Natural-Fit® Handrims with Thumb Grip.)*..... \$15

WHEEL LOCKS

- ZWLK1 Standard Push to Lock *(Available with .75" to 1.5" Rear Wheel Spacing ❶ only. (Not available with 13" or shorter Seat Depth ❷ or extension handles.)* **NCO**
- ZWLK2 Composite Scissor Lock..... \$110
- ZWLK5 Black Aluminum Scissor Lock..... \$135
- ZWLK3 Uni-Lock Set At: Push Pull..... \$135
- ZWLK4 Extension Handles for Uni-Lock..... \$50 **E0961**

UPHOLSTERY COLORS

- ZUPC1 Black..... **STD**
- ZUPC2 Ti Red Royal Blue Navy Blue Hunter Green Purple Digital Camo..... \$50

BACK UPHOLSTERY

- ZBUP1 Velcro Adjustable *(Not available with Fold-Down Push Handles.)*..... **STD**
- ZBUP2 Tension Adjustable by Straps *(Required with Fold-Down Push Handles.)*..... \$150
- ZBUP0 Omit Back Upholstery..... **NCO**
- ZBUP3 Ride Designs® Corbac™ Adjustable Contour Back Support *(Black Only. Not available with Fold-Down Push Handles. See Chart Below.)* \$455 **E2611**

CORBAC™ SEAT WIDTH/BACK HEIGHT AVAILABILITY CHART

Rear Seat Width ❶	Seat Back Height ❷
14"	13" - 15"
15"	13" - 16"
16"	14" - 16"
17"	14" - 16"
18"	14" - 16"

SEAT UPHOLSTERY

- ZSUP1 Tension Adjustable Bolt On *(Not available with Tapered Seat ❶. Black upholstery only.)*..... **STD**
- ZSUP2 Tension Adjustable by Straps *(Standard with Ergonomic Seat and Front Seat Width (Seat Taper) ❶ of 1", 2" or 3". Not available with Depth Adjustable Back or chairs with 10" or 11" Rear Seat Width ❶. Black upholstery only.)*..... \$150
- ZSUP3 Aluminum Solid Seat *(Not available with Ergonomic Seat or chairs with 10" or 11" Rear Seat Width ❶.)*..... \$225 **E2231**
- ZSUP0 Omit Seat Upholstery..... **NCO**

CHAIR OPTIONS

SEAT CUSHIONS

- ZCSH1 Foam Cushion 2" 3" 4".....\$95
- ZCSH2 StimuLITE® Sport (2" Black 13"x15" to 20"x 20") (Please allow an additional 2-3 weeks delivery. Black upholstery only.).....\$495 E2603
- ZCSH3 Corbee® (2" Black 10"x 10" to 16"x 16") (Please allow an additional 2-3 weeks delivery. Black upholstery only.).....\$495 E2603
- ZCSH4 ROHO® Low Profile® Quadtro Select® (Please allow an additional 2-3 weeks delivery. Black upholstery only.).....\$495 K0736
- ZCSH5 ROHO® Custom (Please allow an additional 2-3 weeks delivery. Black upholstery only.).....\$595 K0734
- ZCSH6 VARILITE® Evolution™ (Black Only, See Chart Below.).....\$495 K0734
- ZCSH7 VARILITE® Zoid™ (Black Only, See Chart Below.).....\$495 K0734

VARILITE® SEAT CUSHION AVAILABILITY CHART

Seat Depth Ⓢ		
Seat Width Ⓢ	VARILITE® Evolution™	VARILITE® Zoid™
12"	14"	8", 12", 14"
13"	NONE	NONE
14"	14", 16", 18", 20"	14", 16", 18"
15"	15", 17"	15", 17"
16"	14", 16", 18", 20"	16", 18", 20"
17"	17"	17"
18"	16", 18", 20"	16", 18", 20"
19"	NONE	NONE
20"	16", 18", 20"	16", 18", 20"

SIDE GUARDS

- ZSDG1 Cloth (Not available with Ride Designs® Corbac™ back support.).....\$45

Aluminum

- ZSDG2 Rigid Removable Small Std.....\$175
- ZSDG3 Quad Removable w/Hole Small Std.....\$185
- ZSDG4 Fold Down Rigid Small Std (Not available Ergonomic Seat.).....\$295

Carbon Fiber (Not available with Depth Adjustable Back.)

- ZSDG5 Rigid Removable Small Std.....\$250
- ZSDG6 Quad Removable w/Hole Small Std.....\$260
- ZSDG7 Fold Down Rigid Small Std (Not available Ergonomic Seat.).....\$400
- ZSDG8 Fendered.....\$375

Profiled to Rear Wheels

- ZSDG9 Side Guards Profiled to Rear Wheels (Not available with Cloth or Fendered Side Guards.).....\$275

ARMRESTS

- ZARM1 Swing Away Tubular (Not available with Depth Adjustable Back.) 9" to 12 11" to 14".....\$195 E0973
 - Covered in Black Alcantara® Ultrasuede®.....\$75
- ZARM4 Swing Away - Flip Back Tubular.....\$275 E0973
 - Covered in Black Alcantara® Ultrasuede®.....\$75
- ZARM2 Removable Height Adjustable Desk Arm with Rigid Side Guard (Not available with Depth Adjustable Back. Requires 14" minimum Seat Depth Ⓢ.).....\$350 E0973
 - 9" to 12" 12" to 15"
 - Standard Length Pad (10") Full Length Pad (14")
 - Covered in Black Alcantara® Ultrasuede®.....\$75
- ZARM3 Removable Height Adjustable Desk Arm with Rigid Side Guard and Transfer Loop.....\$395 E0973
 - (Not available with Depth Adjustable Back. Requires 15" minimum Seat Depth Ⓢ.)
 - 9" to 12" 12" to 15"
 - Standard Length Pad (10") Full Length Pad (14")
 - Covered in Black Alcantara® Ultrasuede®.....\$75

SEAT BELTS

- ZBLT1 Velcro Adjustable, Black Nylon Webbing.....\$45 E0978
- ZBLT2 Bodypoint® Auto-Style Release Buckle.....\$85 E0978

CALF STRAP

- ZCLF1 Buckle Adjustable, Black Nylon Webbing.....\$25 K0038
- ZCLF2 Velcro Adjustable.....\$35 K0038
 - Xtra Small (Recommended for 10" - 13" Seat Widths)
 - Small (Recommended for 12" - 15" Seat Widths)
 - Medium (Recommended for 14" - 18" Seat Widths)
 - Large (Recommended for 17" - 19" Seat Widths)
 - Xtra Large (Recommended for 18" - 20" Seat Widths)
- ZCLF3 Bodypoint Padded Velcro Adjustable.....\$75 K0038
 - Small (Recommended for 10" - 11" Seat Widths)
 - Medium (Recommended for 12" - 15" Seat Widths)
 - Large (Recommended for 16" - 20" Seat Widths)

CHAIR OPTIONS

BACK PACK

- ZBCK1 Small - Black Nylon\$50
- ZBCK2 Large - Black Nylon.....\$65

SEAT POUCH

- ZPCH1 Small - Black Nylon.....\$40
- ZPCH2 Large - Black Nylon.....\$45

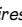
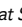
SPOKE GUARDS

- ZGRD1 Clear with TiMotion Logo (Not available with Skyway Mags or 20" Rear Wheels.)\$110 K0065


ANTI-TIPS

- ZTIP1 Rear Aluminum - Black.....\$135 E0971
- ZTIP3 User Friendly Rear Flip-up.....\$245 E0971

ACCESSORIES

- ZLUG1 Luggage Carriers.....\$125
- ZMPCT1 Neoprene Impact Guards.....\$75
- ZCAT1 Catch-All.....\$45
- ZCH1 Crutch Holder.....\$65 E2207
- ZTS1 TiLite T-Shirt Small Medium Large X-Large XX-Large.....\$20
- ZTIP2 Front Roller (Requires that Seat to Footrest Measeurement  be at least 3" shorter than Front Seat Height .).....\$95

DESIGNS UNLIMITED

 TiLite's ZR/ZRA offers more than 15 million different frame combinations! But sometimes even that's not enough. If you would like to customize your TiLite, check out the Designs Unlimited Studio at tilite.com. There you will find drawings and pricing for hundreds of creative solutions to customers' customization requests. We call these "D.U.'s." If you don't find the D.U. you're looking for, contact the TiLite Customer Service Team at 800.545.2266 or customerservice@tilite.com and we'll design a D.U. just for you. Designs Unlimited customization may add an additional 2 to 3 weeks to the ship time of your chair.

TILITE ORDERING PROCESS

Upon submitting this Order Form, you will receive either a TiLite QUOTE or a TiLite ORDER CONFIRMATION. Please CAREFULLY EXAMINE the QUOTE or ORDER CONFIRMATION for NOTES written by TiLite's Customer Service Team. These notes must be addressed by you before TiLite can process your order. The FOOTNOTES contained in this Order Form are CRITICAL. Please REVIEW all FOOTNOTES while completing the Order Form. If you have requested a DRAWING of this chair, a copy of the drawing SIGNED by YOU must be received by TiLite before TiLite can process the order.

GENERAL

TiLite manufactures a wide variety of wheelchairs to meet the varied needs of wheelchair users. The final selection of a particular model, its options and accessories, and its measurements rests solely with the wheelchair user and advising healthcare professional. TiLite wheelchairs must be fitted by a qualified healthcare professional. HCPCS Codes are for reference purposes only. Actual coding and coverage varies by payer. Proper HCPCS coding is not a guarantee of payment. Please verify the appropriate payer's coverage policy.

Get the latest order forms at tilite.com Prices, standard features, options and accessories are subject to change without notice. All rights reserved. Trademarks are identified by symbols™ and ®. TiLite, the TiLite logo, Ti, the Ti logo and The Ultimate Ride are registered trademarks of TiSport, LLC. TiShaft is a trademark of TiSport, LLC. Adobe®, Acrobat®, Acrobat Professional® and Reader® are registered trademarks of Adobe Systems Inc. Alcantara® is a registered trademark of Alcantara S.p.A. Bodypoint® is a registered trademark of Bodypoint Inc. Frog Legs® is a registered trademark of Frog Legs, Inc. Kenda® is a registered trademark of Kenda Rubber Industrial Co Ltd. Ride Designs® and Corbac® are registered trademark of Aspen Seating, LLC. ROHO®, Low Profile® and Quadro Select® are registered trademarks of ROHO Inc. Schwalbe® is a registered trademark of Ralf Bohle GmbH. Supracor®, Stimulite® and Corbee® are registered trademarks of Supracor, Inc. The Natural-Fit® is a registered trademark of Three Rivers Holdings, LLC. Ultrasuede® is a registered trademark of Toray Ultrasuede (America), Inc. Varilite® is a registered trademark of Cascade Designs, Inc.

NOTES

If you are using Adobe® Acrobat®, this order form may be converted into a quote request or into an order by clicking one of the buttons below (this feature is available exclusively to TiLite dealers and distributors). A TiLite Quote or a TiLite Order Confirmation will be sent to you within 24 hours.

QUOTE THIS CHAIR

ORDER THIS CHAIR