

TiLite 2GX Order Form

Effective January 1, 2012 (New Items in Red)

TITANIUM FOLDING FRAME

Page 1 of 8

DEALER INFORMATION		RTS INFORMATION	
Dealer:		RTS:	Phone:
Account:	PO:	Email:	
Ordered By:		SHIP TO INFORMATION	
Address:		Name:	Ship Via:
City:	State:	Zip:	
Phone:	Fax:	Address:	
Email:		City:	State: Zip:
Mark For:		Phone:	Fax:
		TiLite Information	
		Ship Date:	Order #:

Please Fax to the TiLite Customer Service Team at 866.586.2413 or 509.586.2413



TiLite 2GX Fixed Front shown with Rigid Folding Mechanism "RFM" and other available options.

TiLite 2GX Swing Away shown with Rigid Folding Mechanism "RFM" and other available options.

FRAME STYLE

TiLite 2GX (250 Pound Weight Limit.)

GXFS1 **Swing Away**\$2,995

GXFS3 **Hemi Height Frame** (Available with a Front Seat Height Ⓒ of 13.5" - 20". Not available with Heavy Duty Edition or Depth Adjustable Back.)NCO

GXFS2 **Fixed Front**\$2,995

GXP4 **Armed Forces Edition** (Armed Forces Edition can be ordered in combination with any of the other Frame Styles. Satin or Polished Natural Titanium Finishes may also be selected with Armed Forces Edition. Neoprene Impact Guards will match Digital Camo when ordered. Requires Tension Adjustable by Straps Back Upholstery with Fixed Angle Seat Back.).....\$140

GXAF1 **Army** (Subdued Green painted frame with ACU digital upholstery.)

GXAF2 **Navy** (Subdued Dark Blue painted frame with NWU digital upholstery.)

GXAF3 **Air Force** (Subdued Green painted frame with New ABU digital upholstery.)

GXAF4 **Marines** (Subdued Tan painted frame with MARPAT - Desert digital upholstery.)

GXAFF1 4" Logo Patch **OR** GXAFF2 Name Tape Patch

GXAFF3 Combat Wounded Purple Heart Patch

GXHDR1 **Heavy Duty Edition** (350 Pound Weight Limit. Includes Folding Stabilizer Bar and Tension Adjustable by Straps Back Upholstery. Available in 18" to 22" Seat Widths Ⓐ and 16" to 20" Seat Depths Ⓑ.).....\$400

GXPWR1 **Power Adaptable Frame** (No charge when 20" Rear Seat Width Ⓐ and 20" Seat Depth Ⓑ are selected. Requires Billet Aluminum Front Wheels and 0° Camber Ⓒ. Camber tube available in silver anodize only.).....\$300

GXRFR1 **Reinforced Frame** (No charge when 20" Rear Seat Width Ⓐ and 20" Seat Depth Ⓑ are selected.).....\$300

WHEELCHAIR TRANSPORT BRACKET OPTION

GXWTB **Wheelchair Transport Bracket Option** (Consists of four factory-installed wheelchair transport brackets. Unoccupied Use Only. Not available with GXSD7/GXSD15 Short Frame Lengths.).....\$250

THIS SECTION MUST BE READ

The TiLite 2GX with Wheelchair Transport Bracket Option (GXWTB) was NOT crash-tested in accordance with ISO 7176-19 or ANSI/RESNA WC19. Therefore, the Wheelchair Transport Bracket Option is intended ONLY to secure an unoccupied wheelchair in a motor vehicle. The U.S. Department of Transportation has not approved any tie-down system for transportation of a user while in a wheelchair in a moving vehicle of any type. It is TiLite's position that users of wheelchairs should be transferred into appropriate seating in motor vehicles and use the restraints made available by the auto industry.



THE ULTIMATE RIDE.®

tilite.com
2701 West Court Street | Pasco, Washington 99301
509.586.6117 Tel | 800.545.2266 Toll-Free
509.586.2413 Fax | 866.586.2413 Toll-Free Fax

THE TITANIUM EXPERTS.®

TiLite® OF_2GX_112RevR

FRAME FINISHES

Natural Titanium

- GXFF1 SatinSTD
- GXSCBT1 Satin Finish Buffing Pads.....\$15
- GXFF2 Polished\$650
- GXFF3 Tattooed Titanium™ (Tattoos on front frame tubes. Frame finished in Satin. Click on the images below to view the Tattoos online.)...\$295
- GXFF4 Rock & Roll
- GXFF5 Retro



GXFF6 Mother Nature



GXFF7 Henna



High Gloss Paint

GXFF8 Super Wet Black

GXFF9 Sunburst Yellow

GXFF10 TiLite Red

Metallic Paint

GXFF11 Military Green

GXFF12 Orange Crush

GXFF13 Hot Pink

Pearlescent Paint

GXFF14 Ocean Blue Metallic

GXFF15 Tangerine Metallic

GXFF16 Salsa Red Metallic

Matte Paint

GXFF17 Midnight Blue Pearl

GXFF18 White Pearl

GXFF19 Black Lava

GXFF20 Deep Blue Ice

GXFF21 Scarlet Ice

Candy Paint

GXFF27 Titanium Grey

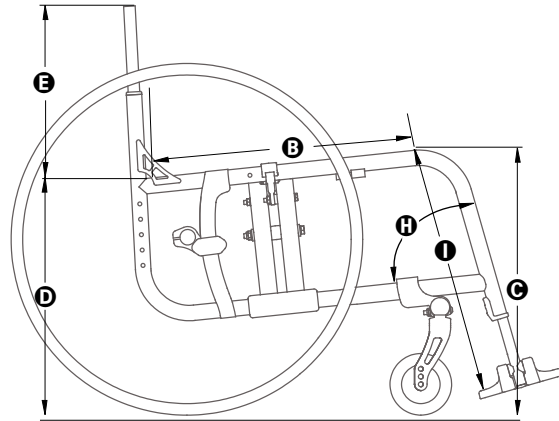
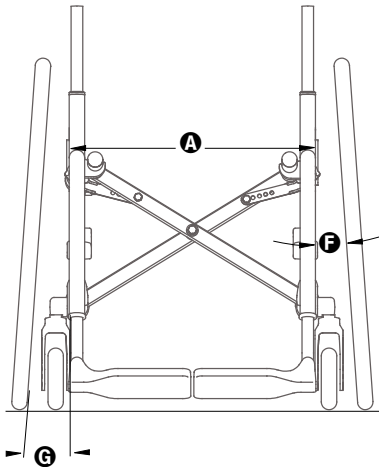
GXFF23 Azure Blue

GXFF24 Root Beer Candy

GXFF22 Ruby Red

GXFF26 Atomic GreenSTD

FRAME MEASUREMENTS



SEAT WIDTH A Measure from outside of seat tube at back post to the outside of the opposite seat tube at back post.

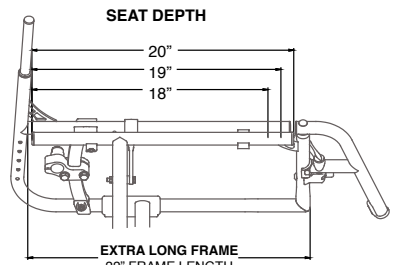
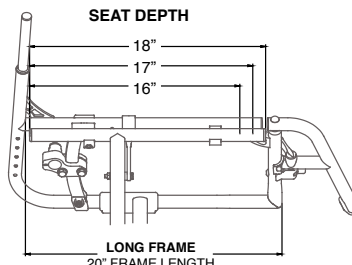
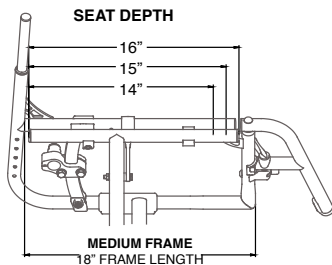
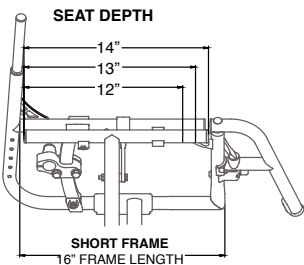
GXSW1 12" 13" 14" 15" 16" 17" 18" 19".....STD

GXSW3 20" 21" 22" (21" and 22" Seat Widths are only available with Heavy Duty Frame.).....\$450 E2201

SEAT DEPTH B Measure from 1/2" in front of back post to the front edge of seat sling. (14" Seat Depth B not available with 25" and 26" Rear Wheels.)

TILITE 2GX SWING AWAY SEAT DEPTH B /FRAME LENGTH CHART (Select one Frame Length and one Seat Depth.)

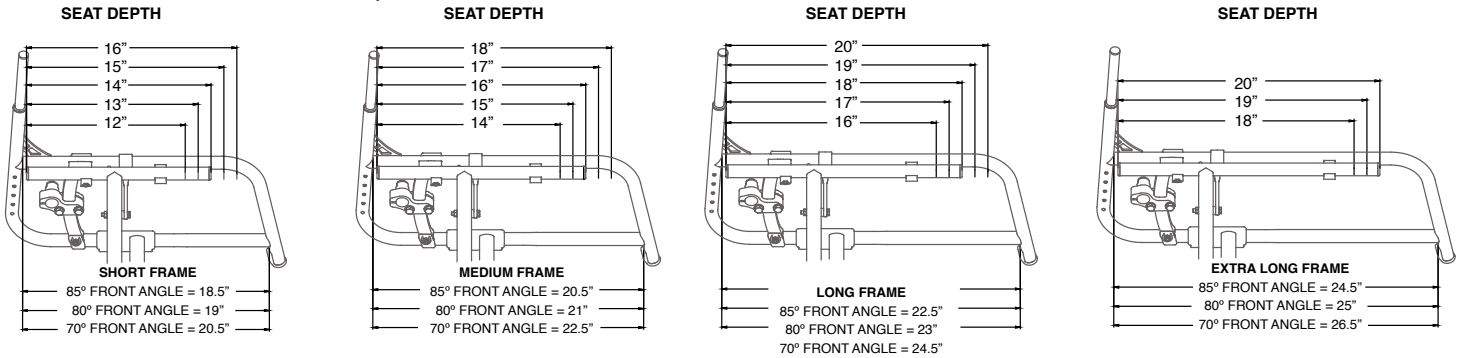
Frame Length	Seat Depth	
GXSD7 <input type="checkbox"/> Short	<input type="checkbox"/> 12" <input type="checkbox"/> 13" <input type="checkbox"/> 14" (Wheelchair Transport Brackets are not available with GXSD7 Short Frame Length.).....STD	
	<input type="checkbox"/> 14" <input type="checkbox"/> 15" <input type="checkbox"/> 16".....STD	
	<input type="checkbox"/> 16" <input type="checkbox"/> 17" <input type="checkbox"/> 18".....STD	
	<input type="checkbox"/> 18" <input type="checkbox"/> 19".....STD	
GXSD8 <input type="checkbox"/> Medium	<input type="checkbox"/> 12" <input type="checkbox"/> 13" <input type="checkbox"/> 14".....STD	
	<input type="checkbox"/> 16" <input type="checkbox"/> 17" <input type="checkbox"/> 18".....STD	
GXSD10 <input type="checkbox"/> Long	<input type="checkbox"/> 12" <input type="checkbox"/> 13" <input type="checkbox"/> 14".....STD	
GXSD12 <input type="checkbox"/> Extra Long	<input type="checkbox"/> 16" <input type="checkbox"/> 17" <input type="checkbox"/> 18".....STD	
GXSD14 <input type="checkbox"/> Extra Long	<input type="checkbox"/> 20".....\$475 E2203	



FRAME MEASUREMENTS

TILITE 2GX FIXED FRONT SEAT DEPTH Ⓞ /FRAME LENGTH CHART (Select one Frame Length and one Seat Depth.)

Frame Length	Seat Depth	
GXSD15 <input type="checkbox"/> Short	<input type="checkbox"/> 12" <input type="checkbox"/> 13" <input type="checkbox"/> 14" <input type="checkbox"/> 15" <input type="checkbox"/> 16" (Transport Brackets are not available with GXSD15 Short Frame Length.)	STD
GXSD18 <input type="checkbox"/> Medium	<input type="checkbox"/> 14" <input type="checkbox"/> 15" <input type="checkbox"/> 16" <input type="checkbox"/> 17" <input type="checkbox"/> 18"	STD
GXSD20 <input type="checkbox"/> Long	<input type="checkbox"/> 16" <input type="checkbox"/> 17" <input type="checkbox"/> 18" <input type="checkbox"/> 19"	STD
GXSD22 <input type="checkbox"/> Long	<input type="checkbox"/> 20"	\$475 E2203
GXSD23 <input type="checkbox"/> Extra Long	<input type="checkbox"/> 18" <input type="checkbox"/> 19"	STD
GXSD24 <input type="checkbox"/> Extra Long	<input type="checkbox"/> 20"	\$475 E2203



FRONT SEAT HEIGHT Ⓞ Measure from floor to top of seat tube at beginning of bend. Adjustable in 1/2" increments. (13.5" - 15" Front Seat Height Ⓞ requires Hemi Height Frame Style. 20.5" - 22" Front Seat Height Ⓞ not available with Hemi Height Frame Style.)

FRONT SEAT HEIGHT RANGES

Front Caster Size	Front Seat Heights Ⓞ	Hemi Front Seat Heights Ⓞ	
3" Front Caster	15.5" - 19.5"	13.5" - 17.5"	
3" Front Caster w/Frog Legs®	17.5" - 19.0"	15.0" - 17.5"	
4" Front Caster	16.5" - 20.0"	14.5" - 18.0"	
4" Front Caster w/Frog Legs®	17.5" - 19.5"	15.0" - 17.5"	GXFSH1 <input type="checkbox"/> 13.5" <input type="checkbox"/> 14" <input type="checkbox"/> 14.5" <input type="checkbox"/> 15"
5" Front Caster	17.5" - 21.0"	15.5" - 18.5"	<input type="checkbox"/> 15.5" <input type="checkbox"/> 16" <input type="checkbox"/> 16.5" <input type="checkbox"/> 17"
5" Front Caster w/Frog Legs®	18.5" - 20.0"	16.0" - 18.5"	<input type="checkbox"/> 17.5" <input type="checkbox"/> 18" <input type="checkbox"/> 18.5" <input type="checkbox"/> 19"
6" Front Caster	18.0" - 21.0"	16.5" - 19.0"	<input type="checkbox"/> 19.5" <input type="checkbox"/> 20" <input type="checkbox"/> 20.5" <input type="checkbox"/> 21"
6" Front Caster w/Frog Legs®	19.5" - 20.5"	17.0" - 18.5"	<input type="checkbox"/> 21.5" <input type="checkbox"/> 22" STD
8" Front Caster	20.0" - 22.0"	18.5" - 20.0"	

REAR SEAT HEIGHT Ⓞ Measure from floor to top of seat tube at back post. Adjustable in 3/8" increments.

REAR SEAT HEIGHT RANGES

Rear Wheel Size	Rear Seat Height Ⓞ	
22"	13" - 18"	GXRSH1 <input type="checkbox"/> 13" <input type="checkbox"/> 13.5" <input type="checkbox"/> 14"
24"	14" - 19"	<input type="checkbox"/> 14.5" <input type="checkbox"/> 15" <input type="checkbox"/> 15.5"
25"	14" - 19"	<input type="checkbox"/> 16" <input type="checkbox"/> 16.5" <input type="checkbox"/> 17"
26"	15" - 20"	<input type="checkbox"/> 17.5" <input type="checkbox"/> 18" <input type="checkbox"/> 18.5"
		<input type="checkbox"/> 19" <input type="checkbox"/> 19.5" <input type="checkbox"/> 20" STD

SEAT BACK HEIGHT Ⓞ/SEAT BACK/PUSH HANDLES Measure from top of back post to top of seat tube at rear of frame.

SEAT BACK TYPE

GXSB13 <input type="checkbox"/> Fixed Angle, Adjustable-Height Seat Back	STD
GXLB1 <input type="checkbox"/> Folding Stabilizer Bar (Included with Heavy Duty Edition.)	\$340
GXSB14 <input type="checkbox"/> Fixed Angle, Adjustable Height Seat Back w/8-Degree Bend	NCO
GXSB18 <input type="checkbox"/> Folding Adjustable-Angle and Height Seat Back (Not available with Heavy Duty Edition or Ride Designs® Corbac™.)	\$200
GXSB16 <input type="checkbox"/> Depth Adjustable Back/Frame (Not Available with Hemi Height Frame, Heavy Duty Edition or 19" or 20" Seat Depths Ⓞ or Swing Away Tubular Armrest. Seat Depths Ⓞ of 12"-17" allow 3" of rearward adjustment. Seat Depth Ⓞ of 18" allow 2" of rearward adjustment.)	\$185
GXSRE1 <input type="checkbox"/> Seat Rail Extensions for Depth Adjustable Back/Frame (Seat Rail Extensions to Rigid Folding Mechanism (cross-brace) to extend Seat Depth Ⓞ.) <input type="checkbox"/> 1" <input type="checkbox"/> 2" <input type="checkbox"/> 3"	\$100

PUSH HANDLES

GXSB6 <input type="checkbox"/> Integrated Push Handles	NCO
GXSB7 <input type="checkbox"/> Integrated Fold-Down Push Handles (Requires Tension Adjustable by Straps Back Upholstery. Not available with Heavy Duty Edition.)	\$100
GXSB9 <input type="checkbox"/> Bolt-On Height Adjustable Push Handles (Requires Tension Adjustable by Straps Back Upholstery. Not available with Folding Adjustable-Angle and Height Seat Back, Swing Away Tubular Armrests, Swing Away - Flip Back Tubular Armrests, Heavy Duty Edition or Ride Designs® Corbac™.)	\$225

FRAME MEASUREMENTS

FIXED ANGLE ADJUSTABLE SEAT BACK HEIGHT (11"- 15" Fixed Seat Back Height not available with Heavy Duty Edition, 12"-15" Swing Away Tubular Arms, Bolt-On Adjustable Height Push Handles or Folding Stabilizer Bar.)

Push Handles	Medium	Tall	Set at: (Use 1" increments)
None	<input type="checkbox"/> 11"- 15"	<input type="checkbox"/> 16"- 20"	Set at: _____
Integrated	<input type="checkbox"/> 11"- 15"	<input type="checkbox"/> 16"- 20"	Set at: _____
Integrated Fold-Down	<input type="checkbox"/> 11"- 15"	<input type="checkbox"/> 16"- 20"	Set at: _____
Bolt-On Height Adj	<input type="checkbox"/> 11"- 15"	<input type="checkbox"/> 16"- 20"	Set at: _____

FOLDING ADJUSTABLE- ANGLE AND HEIGHT SEAT BACK

Push Handles	Short	Medium	Tall	Set at: (Use 1/2" increments)
None	<input type="checkbox"/> 11"- 13"	<input type="checkbox"/> 13.5"- 16.5"	<input type="checkbox"/> 16.5"- 19.5"	Set at: _____
Integrated	<input type="checkbox"/> 13"- 15"	<input type="checkbox"/> 14"- 17"	<input type="checkbox"/> 17"- 20"	Set at: _____
Integrated Fold-Down	<input type="checkbox"/> 14.5"- 16.5"	<input type="checkbox"/> 16.5"- 18.5"	<input type="checkbox"/> 17.5"- 20.5"	Set at: _____

CAMBER

GXCBR8 <input type="checkbox"/> 0° <input type="checkbox"/> 2° <input type="checkbox"/> 4° <input type="checkbox"/> 6° <input type="checkbox"/> 8°.....	STD
GXCBR10 Additional Camber Plug (Pair) <input type="checkbox"/> 0° <input type="checkbox"/> 2° <input type="checkbox"/> 4° <input type="checkbox"/> 6° <input type="checkbox"/> 8°.....	\$100

FRONT TAPER / **FRONT ANGLE** If no Front Taper is selected, footrest width will be 2" narrower than Seat Width. If 2" taper is selected, footrest width will be 4" narrower than Seat Width. Front Angle is measured from inside of front frame tube to top of bottom frame tube.

2GX Swing Away Front End

GXFA3 <input type="checkbox"/> 70° <input type="checkbox"/> 80° <input type="checkbox"/> 85° <input type="checkbox"/> 90° Front Angle with No Taper.....	STD
GXFA4 <input type="checkbox"/> 80° Front Angle with 2" Taper (Not available with Elevating Leg Rest.).....	\$150
GXFA5 <input type="checkbox"/> Elevating Leg Rest <input type="checkbox"/> L or <input type="checkbox"/> R (When choosing a left or right Elevating Leg Rest, please select the opposite Front Angle (GXFA3), above. Not available with 14" or narrower Seat Width.).....	\$150 E0990
GXFA7 <input type="checkbox"/> Pair.....	\$295
GXFA0 <input type="checkbox"/> Omit Hangers.....	\$75

2GX Fixed Front End

GXFA6 <input type="checkbox"/> 70° <input type="checkbox"/> 80° <input type="checkbox"/> 85° Front Angle with No Taper.....	STD
---	-----

SEAT TO FOOTREST / **FOOTRESTS** Measure from front edge of seat sling to top rear of footrest. Measurement must be at least 2" shorter than Front Seat Height.

If your Front Angle is 70°, 80° OR 85° WITH NO TAPER, select one Seat to Footrest length and one Footrest type:

Standard Footrests

<input type="checkbox"/> 14" <input type="checkbox"/> 14.5" <input type="checkbox"/> 15" <input type="checkbox"/> 15.5" <input type="checkbox"/> 16" <input type="checkbox"/> 16.5" <input type="checkbox"/> 17" <input type="checkbox"/> 17.5" <input type="checkbox"/> 18" <input type="checkbox"/> 18.5" <input type="checkbox"/> 19" <input type="checkbox"/> 19.5" <input type="checkbox"/> 20"	
GXFTR5 <input type="checkbox"/> Flip-up Footrest.....	STD
GXFTR6 <input type="checkbox"/> 1- Piece Flip-up Footrest (Pivot on <input type="checkbox"/> L or <input type="checkbox"/> R) (Not available with Heel Loops.).....	\$125
GXFTR7 <input type="checkbox"/> 1-Piece, Over-Center Folding Footrest (Fixed Front Only. Not available with Heel Loops.).....	\$125
GXFTR8 <input type="checkbox"/> 1-Piece, Over-Center Angle Adjustable Footrest (Fixed Front Only. Not available with Heel Loops. Available for 15"- 20" Seat to Footrest only.).....	\$295
GXFTR9 <input type="checkbox"/> Depth Adjustable Flip-up Footrest.....	\$95
GXFTR10 <input type="checkbox"/> Depth & Angle Adjustable Flip-up Footrest (Available for 15"- 20" Seat to Footrest only.).....	\$235
GXFTR11 <input type="checkbox"/> Angle Adjustable Flip-up Footrest (Available for 15"- 20" Seat to Footrest only.).....	\$195

High Mount Footrests (Not Available with Luggage Carriers or Impact Guards.)

<input type="checkbox"/> 7" <input type="checkbox"/> 7.5" <input type="checkbox"/> 8" <input type="checkbox"/> 8.5" <input type="checkbox"/> 9" <input type="checkbox"/> 9.5" <input type="checkbox"/> 10" <input type="checkbox"/> 10.5" <input type="checkbox"/> 11" <input type="checkbox"/> 11.5" <input type="checkbox"/> 12" <input type="checkbox"/> 12.5" <input type="checkbox"/> 13" <input type="checkbox"/> 13.5" <input type="checkbox"/> 14" <input type="checkbox"/> 14.5"	
GXFTR12 <input type="checkbox"/> High Mount Flip-up.....	\$165 K0037
GXFTR13 <input type="checkbox"/> Depth Adjustable High Mount Flip-up Footrest.....	\$185
GXFTR15 <input type="checkbox"/> Angle Adjustable High Mount Flip-up Footrest.....	\$285
GXFTR16 <input type="checkbox"/> Depth & Angle Adjustable High Mount Flip-up Footrest.....	\$325

Elevating Leg Rest

<input type="checkbox"/> 14" <input type="checkbox"/> 14.5" <input type="checkbox"/> 15" <input type="checkbox"/> 15.5" <input type="checkbox"/> 16" <input type="checkbox"/> 16.5" <input type="checkbox"/> 17" <input type="checkbox"/> 17.5" <input type="checkbox"/> 18" <input type="checkbox"/> 18.5" <input type="checkbox"/> 19" <input type="checkbox"/> 19.5" <input type="checkbox"/> 20" <input type="checkbox"/> 20.5" <input type="checkbox"/> 21" <input type="checkbox"/> 21.5"	
GXFTR17 <input type="checkbox"/> Depth Adjustable Flip-up Footrest.....	STD

TiLite 2GX Order Form

FRAME MEASUREMENTS

If your Front Angle **ⓐ** is **80° WITH 2" TAPER**, select one Seat to Footrest **ⓑ** length and one Footrest type:

- 14" 14.5" 15" 15.5" 16" 16.5" 17" 17.5" 18" 18.5" 19"
- 19.5" 20"
- GXFTR5 Flip-up Footrest.....**STD**
- GXFTR6 1-Piece Flip-up Footrest (Pivot on L or R) (Not available with Heel Loops.).....**\$125**
- GXFTR9 Depth Adjustable Flip-up Footrest.....**\$95**
- GXFTR10 Depth & Angle Adjustable Flip-up Footrest (Available for 15"- 20" Seat to Footrest **ⓑ** only.)**\$235**
- GXFTR11 Angle Adjustable Flip-up Footrest (Available for 15"- 20" Seat to Footrest **ⓑ** only.)**\$195**

If your Front Angle **ⓐ** is **90°**, select one Seat to Footrest **ⓑ** length and one Footrest type:

- 7" 8" 9" 10" 11" 12" 13"
- GXFTR5 Flip-up Footrest.....**STD**
- GXFTR9 Depth Adjustable Flip-up Footrest.....**\$95**
- GXFTR10 Depth & Angle Adjustable Flip-up Footrest.....**\$235**

GXHLP1 **Heel Loops** (Not available with 13" or narrower Seat Width **ⓐ** or 1-Piece Footrests.).....**\$40 E0951**

CHAIR OPTIONS

FRONT WHEELS See Front Seat Height Ranges chart on Page 3 for Front Seat Height **ⓐ** limitations.

- GXFW1 3"x.75" Micro-Caster (Not available with Heavy Duty Edition.)**NC0**
- GXFW2 3"x.75" Light-Up Micro-Caster (Not available with Heavy Duty Edition.).....**\$70**
- GXFW14 4"x.75" Plastic Wheel w/Poly Tire (Not available with Heavy Duty Edition.).....**NC0**
- GXFW3 4"x.75" Light-Up Micro-Caster (Not available with Heavy Duty Edition.).....**\$70**
- GXFW19 4"x.75" Performance 5 Spoke Billet Aluminum Wheel w/Poly Tire
 - Silver Hub **OR** Black Hub.....**\$125**
- GXFW20 4"x1" Performance 5 Spoke 2-Piece Billet Aluminum Wheel w/Soft Roll Tire
 - Silver Hub **OR** Black Hub.....**\$165**
- GXFW15 4"x1.5" Plastic Wheel w/Poly Tire (Not available with Heavy Duty Edition.).....**\$80**
- GXFW6 5"x1" Plastic Wheel w/Poly Tire (Not available with Heavy Duty Edition.).....**STD**
- GXFW21 5"x1" Performance 5 Spoke Billet Aluminum Wheel w/Poly Tire
 - Silver Hub **OR** Black Hub.....**\$145**
- GXFW22 5"x1" Performance 5 Spoke 2-Piece Billet Aluminum Wheel w/Soft Roll Tire
 - Silver Hub **OR** Black Hub.....**\$185**
- GXFW18 5"x1.5" Plastic Wheel w/Poly Tire (Not available with Heavy Duty Edition.).....**\$80**
- GXFW9 6"x1" Plastic Wheel w/Poly Tire (Not available with Heavy Duty Edition or with 85° or 90° Front Angle **ⓐ**.).....**NC0**
- GXFW11 6"x1" Billet Aluminum Wheel w/Poly Tire Silver Hub **OR** Black Hub (Not available with 85° or 90° Front Angle **ⓐ**.)...**\$165**
- GXFW10 6"x1.25" Plastic Wheel w/Pneumatic Tire (Not available with Heavy Duty Edition or with 85° or 90° Front Angle **ⓐ**.).....**\$65**
- GXFW12 6"x1.25" Billet Aluminum Wheel w/Pneumatic Tire Silver Hub **OR** Black Hub (Not available with 85° or 90° Front Angle **ⓐ**.).....**\$165**
- GXFW13 6"x1.25" 2-Piece Billet Aluminum Wheel w/Soft Roll Tire (Not available with 85° or 90° Front Angle **ⓐ**.).....**\$195**
- GXFW16 8"x1" Plastic Wheel w/Poly Tire (Not available with Heavy Duty Edition. Available with 70° Front Angle **ⓐ** only.).....**NC0**
- GXFW17 8"x1.25" Plastic Wheel w/Pneumatic Tire (Not available with Heavy Duty Edition. Available with 70° Front Angle **ⓐ** only.).....**\$85**
- GXFRG1 Frog Legs® Suspension Forks (Available in Black anodize only. Not available with 8" Front Wheels.).....**\$395 E1015**
- GXCPL1 Caster Pin Locks (Not available with Heavy Duty Edition or Frog Legs®.).....**\$225 K0073**
- GXFW0 Omit Front Wheels (Must choose Wheel Size above.).....**\$20**

REAR WHEELS See Rear Seat Height Ranges chart on Page 3 for Rear Seat Height **ⓐ** limitations.

- GXRW14 TiLite SHADOW™ (Not available with Titanium Quick Release Axles or Heavy Duty Edition.).....**STD**
 - 22"(501)
 - 24"(540)
 - 25"(559) (Requires 15" minimum Seat Depth **ⓐ**.)
 - 26"(590) (Requires 15" minimum Seat Depth **ⓐ**.)
- GXRW5 TiLite High Flange Hub (Not available Titanium Quick Release Axles.).....**\$250**
 - 24"(540)
 - 25"(559) (Requires 15" minimum Seat Depth **ⓐ**. Not available with Short Frame length.)
 - 26"(590) (Requires 15" minimum Seat Depth **ⓐ**. Not available with Short Frame length.)
- GXRW13 Golz TWIN-STAR Exchange (Not available with Titanium Quick Release Axles.).....**\$895**
 - 24"(540)
 - 25"(559) (Requires 15" minimum Seat Depth **ⓐ**.)
- GXRW7 Spinergy SPOX Black Red Yellow Blue White.....**\$695**
 - 22"(501) - Std. Hub
 - 24"(540) - Std. Hub
 - 25"(559) - Std. Hub (Requires 15" minimum Seat Depth **ⓐ**. Not available with Short Frame length.)
 - 26"(590) - Sport Hub (Requires 15" minimum Seat Depth **ⓐ**. Not available with Short Frame length.)

TiLite 2GX Order Form

CHAIR OPTIONS

REAR WHEELS See Rear Seat Height Ranges chart on Page 3 for Rear Seat Height Ⓢ limitations.

GXRW8 Spinergey LX	<input type="checkbox"/> Black	<input type="checkbox"/> Red	<input type="checkbox"/> Yellow	<input type="checkbox"/> Blue	<input type="checkbox"/> White	<input type="checkbox"/> Go Green	<input type="checkbox"/> Bright Orange		
	<input type="checkbox"/> Flamingo Pink (Not available with Heavy Duty Edition. Please allow an additional 2-3 weeks delivery on Go Green, Bright Orange and Flamingo Pink.)							\$895	
	<input type="checkbox"/> 22"(501) - Std. Hub								
	<input type="checkbox"/> 24"(540) - Std. Hub								
	<input type="checkbox"/> 25"(559) - Std. Hub	(Requires 15" minimum Seat Depth Ⓢ. Not available with Short Frame length.)							
	<input type="checkbox"/> 26"(590) - Sport Hub	(Requires 15" minimum Seat Depth Ⓢ. Not available with Short Frame length.)							
GXRW11 Skyway Mags	<input type="checkbox"/> 22"	<input type="checkbox"/> 24"	(Not available with Heavy Duty Edition, Short Tabs, Titanium Quick Release Axles, Quad Release Axles or Spoke Guards.)						\$50
GXRW0	<input type="checkbox"/> Omit Rear Wheels (Must choose Wheel Size above and Tire Type below.)							\$50	

AXLES

GXAXL1	<input type="checkbox"/> Stainless Quick Release	STD
GXAXL2	<input type="checkbox"/> Titanium Quick Release (Not available with TiLite High Flange Hub, TWIN-STAR Exchange, SHADOW, Skyway Mags, 26"(590) Spinergey SPOX or LX Rear Wheels or Power Adaptable Frame.)	\$195
GXAXL3	<input type="checkbox"/> Quad Release (Not available with Skyway Mags or 26"(590) Spinergey Spox or LX Rear Wheels.)	\$95

AXLE PLATE

GXAXL4	<input type="checkbox"/> Amputee Axle Plate (Not available with Swing Away Tubular or Flip-Back Armrests. Maximum Rear Seat Height Ⓢ of 18.5".)	\$175	E0959
--------	---	-------	-------

PNEUMATIC REAR TIRES

GXRTR1	<input type="checkbox"/> Treaded (Not available with 25" (559) Rear Wheels.)	STD			
	<input type="checkbox"/> Airless Inserts	\$80	E2213		
GXRTR3	<input type="checkbox"/> 25" Primo Treaded (Standard with 25"(559) Rear Wheels.)	STD			
GXRTR4	<input type="checkbox"/> Primo	NCO			
GXRTR5	<input type="checkbox"/> 24", 25" and 26" Kenda® High Pressure (110psi)	<input type="checkbox"/> Grey	<input type="checkbox"/> Red	<input type="checkbox"/> Blue	\$95
GXRTR6	<input type="checkbox"/> 24" Grey Knobby (Requires TiLite Wheel with High Flange Hub.)	\$95			
GXRTR7	<input type="checkbox"/> 26" Black Knobby (Requires TiLite Wheel with High Flange Hub or Spinergey SPOX or Spinergey LX Rear Wheels.)	\$95			
GXRTR8	<input type="checkbox"/> 24", 25" and 26" Schwalbe® Marathon Plus Evolution	\$125			
GXRTR9	<input type="checkbox"/> 24" and 25" Schwalbe® SpeedRun	\$125			

SOLID REAR TIRES

GXRTR11	<input type="checkbox"/> 22" (501) Pyramid	\$75
GXRTR13	<input type="checkbox"/> 24"(540) and 25"(559) Herringbone Tread	\$95
GXRTR15	<input type="checkbox"/> 24"(540) and 25"(559) Treaded	\$95

HANDRIMS

Handrims by OUT-FRONT®

GXRIM1	<input type="checkbox"/> Aluminum – Silver Anodized	STD
	Titanium (Not available with Skyway Mags, 22" Rear Wheels, or 24" Knobby tires.)	
	<input type="checkbox"/> GXRIM12 Satin Finish	\$400
	<input type="checkbox"/> GXRIM13 Polished Finish	\$550
	The Natural-Fit® (Original, Larger Profile) (Not available with 22" Skyway Mags.)	
	<input type="checkbox"/> GXRIM14 Standard Grip (Not available with Short Tabs.)	\$295
	<input type="checkbox"/> GXRIM15 Super Grip (Not available with Short Tabs.)	\$340
	<input type="checkbox"/> GXRIM16 Without Thumb Grip	\$270
	The Natural-Fit® LT (Reduced Weight, Smaller Profile) (Not available with 22" Skyway Mags.)	
	<input type="checkbox"/> GXRIM17 Standard Grip (Not available with Short Tabs.)	\$325
	<input type="checkbox"/> GXRIM18 Super Grip (Not available with Short Tabs.)	\$370
	<input type="checkbox"/> GXRIM19 Without Thumb Grip	\$300
	<input type="checkbox"/> GXRIM10 The Surge (All-In-One Oval with Gription™ Strip, Larger Profile) (Not available with 22" Skyway Mags.)	\$315
	<input type="checkbox"/> GXRIM11 The Surge LT (All-In-One Oval with Gription™ Strip, Smaller Profile) (Not available with 22" Skyway Mags.)	\$340
	<input type="checkbox"/> GXRIM20 Q-Grip (Exclusive High-Friction, Anti-Slip Coating) (Not available with 22" or 26" Rear Wheels or Skyway Mags.)	\$295

Additional Handrims

GXRIM9	<input type="checkbox"/> Spinergey FlexRim (Available only on 24" and 25" Spinergey LX Rear Wheels. Please allow an additional 2-3 weeks delivery.)	\$525
GXRIM5	<input type="checkbox"/> Plastic Coated – Black	\$95
GXRIM6	<input type="checkbox"/> Projections - 8 Vertical Projections (Not available with 22" or 26" Rear Wheels or Skyway Mags.)	\$240
GXRIM0	<input type="checkbox"/> Omit Handrims	\$15

Tab Length

GXRIM7	<input type="checkbox"/> Long Tabs	STD
GXRIM8	<input type="checkbox"/> Short Tabs (Not available with Skyway Mags or The Natural-Fit® Handrims with Thumb Grip.)	\$15

WHEEL LOCKS

GXWLK7	<input type="checkbox"/> Compact Composite Push to Lock	NCO	
GXWLK8	<input type="checkbox"/> Compact Composite Pull to Lock	NCO	
	<input type="checkbox"/> GXWLK10 Extension Handles for Composite Push/Pull to Lock	\$75	E0961
GXWLK9	<input type="checkbox"/> Composite Scissor Lock (Not available on 2GX Swing Away.)	\$125	
GXWLK3	<input type="checkbox"/> Uni-Lock Set At: <input type="checkbox"/> Push OR <input type="checkbox"/> Pull	\$135	
	<input type="checkbox"/> GXWLK4 Extension Handles for Uni-Lock	\$75	E0961

CHAIR OPTIONS

UPHOLSTERY COLORS

- GXUPC1 Black.....**STD**
 GXUPC3 **Ultrasuede Backrest Stripe** Black Sapphire Red Pepper Burnt Orange Sub-Lime
 Ultraviolet Espresso (Not available with Padded Nylon Back Upholstery.).....**\$70**

BACK UPHOLSTERY

- GXBUP1 Padded Nylon (Not available with Heavy Duty Edition, Fold-Down Push Handles or Ultrasuede Backrest Stripe.).....**STD**
 GXBUP3 Tension Adjustable by Straps (Included with Heavy Duty Edition. Required with Aluminum Fendered Side Guards and Fold-Down Push Handles.).....**\$175**
 GXBUP4 Ride Designs® Corbac™ Adjustable Contour Back Support (Black Only. Available with Fixed Seat Backs from 11" to 15".).....**\$455 E2611**
 GXBUP0 Omit Back Upholstery.....**NCO**

SEAT UPHOLSTERY

- GXSUP4 Tension Adjustable.....**STD**
 GXSUP0 Omit Seat Upholstery.....**NCO**
 GXSUP6 Quick Release Solid Seat Insert.....**\$235**

SEAT CUSHIONS

- GXCSh1 Foam Cushion 2" 3" 4".....**\$95**
 GXCSh2 StimuLITE® Sport (2" Black 13"x15" to 20"x 20". Please allow an additional 2-3 weeks delivery.).....**\$495 E2603**
 GXCSh3 Corbee® (2" Black 12"x 12" to 16"x 16". Please allow an additional 2-3 weeks delivery.).....**\$495 E2603**
 GXCSh4 ROHO® Low Profile® Quadro Select® (Black only. Please allow an additional 2-3 weeks delivery.).....**\$525 E2624**
 GXCSh5 ROHO® Custom (Black Only. Please allow an additional 2-3 weeks delivery.).....**\$625 E2609**
 GXCSh6 VARILITE® Evolution® (Black only. See chart below.).....**\$495 E2622**
 GXCSh7 VARILITE® Zoid® (Black only. See chart below.).....**\$495 E2622**

VARILITE® SEAT CUSHION AVAILABILITY CHART

Seat Width ⓐ	Seat Depth ⓑ	
	VARILITE® Evolution®	VARILITE® Zoid®
12"	14"	8", 12", 14"
13"	NONE	NONE
14"	14", 16", 18", 20"	14", 16", 18"
15"	15", 17"	15", 17"
16"	14", 16", 18", 20"	16", 18", 20"
17"	17"	17"
18"	16", 18", 20"	16", 18", 20"
19"	NONE	NONE
20"	16", 18", 20"	16", 18", 20"

SIDE GUARDS

- GXSDG1 Cloth (Not available with Ride Designs® Corbac™ Back Support.).....**\$65**
Aluminum
 GXSDG2 Rigid Removable Small **OR** Std.....**\$175**
 GXSDG3 Quad Removable w/Hole Small **OR** Std.....**\$185**
 GXSDG6 Fendered Adjustable (Requires Tension Adjustable by Straps Back Upholstery. Not available with Angle-Adjustable Fold-Down Seat Backs.).....**\$195**
Carbon Fiber
 GXSDG7 Rigid Removable Small **OR** Std.....**\$270**
 GXSDG8 Quad Removable w/Hole Small **OR** Std.....**\$280**
Available on Aluminum and Carbon Fiber Non-Fendered Side Guards
 GXSDG13 Side Guards Custom Cut to Profile of Rear Wheels (Not available with Cloth.).....**\$275**

ARMRESTS

- GXARM1 Swing Away Tubular (Not available with Heavy Duty Edition, Amputee Axle Plate or Depth Adjustable Back/Frame.).....**\$195 E0973**
 9" - 12" **OR** 12" - 15"
 GXARM4 Swing Away - Flip Back Tubular (Not available with Amputee Axle Plate or Heavy Duty Edition).....**\$275 E0973**
 GXARM2 Removable Height Adjustable Desk Arm with Rigid Side Guard (Requires 14" minimum Seat Depth ⓑ.).....**\$295 E0973**
 9" to 12" **OR** 12" to 15"
 Standard Length Pad (10") **OR** Full Length Pad (14")
 GXARM3 Removable Height Adjustable Desk Arm with Rigid Side Guard and Transfer Loop (Requires 15" minimum Seat Depth ⓑ.).....**\$340 E0973**
 9" to 12" **OR** 12" to 15"
 Standard Length Pad (10") **OR** Full Length Pad (14")
Available on all Armrests
 GXARM5 Covered in Black Ultrasuede.....**\$75**

CHAIR OPTIONS

SEAT BELTS

GXBLT1 <input type="checkbox"/> Velcro Adjustable, Black Nylon Webbing.....	\$45	E0978
GXBLT2 <input type="checkbox"/> Bodypoint® 2" Push-Button Buckle (Auto-Style.).....	\$85	E0978
GXBLT4 <input type="checkbox"/> Bodypoint® 1" Wide Push-Button Buckle Padded (Auto-Style.).....	\$155	E0978
GXBLT5 <input type="checkbox"/> Bodypoint® 1.5" Wide Push-Button Buckle Padded (Auto-Style.).....	\$155	E0978
GXBLT6 <input type="checkbox"/> Bodypoint® 1.5" Wide Rehab Latch Buckle Padded (Airline-Style.).....	\$155	E0978
GXBLT7 <input type="checkbox"/> Bodypoint® 1.5" Wide Plastic Side Release Padded.....	\$120	E0978

CALF STRAP

GXCLF1 <input type="checkbox"/> Buckle Adjustable, Black Nylon Webbing.....	\$25	K0038
GXCLF2 <input type="checkbox"/> Velcro Adjustable	\$35	K0038
<input type="checkbox"/> Small (Recommended for 12"- 15" Seat Widths)		
<input type="checkbox"/> Medium (Recommended for 14"- 18" Seat Widths)		
<input type="checkbox"/> Large (Recommended for 17"- 19" Seat Widths)		
<input type="checkbox"/> Xtra Large (Recommended for 18"- 20" Seat Widths)		
GXCLF3 <input type="checkbox"/> Bodypoint® Padded Velcro Adjustable	\$75	K0038
<input type="checkbox"/> Medium (Recommended for 12"- 15" Seat Widths)		
<input type="checkbox"/> Large (Recommended for 16"- 20" Seat Widths)		

BACK PACK

GXBCK1 <input type="checkbox"/> Small - Black Nylon	\$50
GXBCK2 <input type="checkbox"/> Large - Black Nylon.....	\$65

SEAT POUCH

GXPCH1 <input type="checkbox"/> Small - Black Nylon.....	\$40
GXPCH2 <input type="checkbox"/> Large - Black Nylon.....	\$45

SPOKE GUARDS

GXGRD1 <input type="checkbox"/> Clear Lexan with TiMotion Logo (Not available with Skyway Mags.).....	\$115	K0065
---	-------	-------

ANTI-TIPS

GXTIP1 <input type="checkbox"/> Rear Aluminum - Black.....	\$135	E0971
GXTIP2 <input type="checkbox"/> User Friendly Rear Flip-up.....	\$245	E0971

ACCESSORIES

GXUEST1 <input type="checkbox"/> Upper Extremity Support Tray <input type="checkbox"/> 12" to 14" OR <input type="checkbox"/> 13" to 15" Seat Widths A (Requires Armrests.).....	\$250	E0950
GXLUG1 <input type="checkbox"/> Luggage Carriers (Not available with High Mount Swing Away Footrests or 1-Piece Flip-up Footrest.).....	\$125	
GXMPC2 <input type="checkbox"/> Neoprene Impact Guards with Ultrasuede Stripe (Not available with High Mount Footrests or 90° Hangers.) <input type="checkbox"/> Black <input type="checkbox"/> Sapphire <input type="checkbox"/> Red Pepper <input type="checkbox"/> Burnt Orange <input type="checkbox"/> Sub-Lime <input type="checkbox"/> Ultraviolet <input type="checkbox"/> Espresso.....	\$90	
GXTRVL1 <input type="checkbox"/> Travel Wheels (Not available with Heavy Duty Edition or Anti-Tips or Amputee Adapter.).....	\$250	
GXCH1 <input type="checkbox"/> Crutch Holder.....	\$150	E2207
GXTS1 TiLite T-Shirt <input type="checkbox"/> Small <input type="checkbox"/> Medium <input type="checkbox"/> Large <input type="checkbox"/> X-Large <input type="checkbox"/> XX-Large.....	\$25	
GXHS1 <input type="checkbox"/> TiLite 9 Piece SAE Round Handle Folding Hex Key Set.....	\$25	
GXAFP1 4" Logo Patch <input type="checkbox"/> Army <input type="checkbox"/> Navy <input type="checkbox"/> Air Force <input type="checkbox"/> Marines	\$50	
GXAFP2 Name Tape Patch <input type="checkbox"/> Army <input type="checkbox"/> Navy <input type="checkbox"/> Air Force <input type="checkbox"/> Marines	\$50	
GXAFP3 <input type="checkbox"/> Combat Wounded Purple Heart Patch.....	\$50	

DESIGNS UNLIMITED



TiLite's 2GX offers hundreds of different frame combinations! But sometimes even that's not enough. If you would like to customize your TiLite, check out the Designs Unlimited Studio at tilite.com. There you will find drawings and pricing for hundreds of creative solutions to customers' customization requests. We call these "D.U.'s." If you don't find the D.U. you're looking for, contact the TiLite Customer Service Team at 800.545.2266 or customerservice@tilite.com and we'll design a D.U. just for you. Designs Unlimited customization may add an additional 2 to 3 weeks to the ship time of your chair.

GENERAL

TiLite manufactures a wide variety of wheelchairs to meet the varied needs of wheelchair users. The final selection of a particular model, its options and accessories, and its measurements rests solely with the wheelchair user and advising healthcare professional. TiLite wheelchairs must be fitted by a qualified healthcare professional. HCPCS Codes are for reference purposes only. Actual coding and coverage varies by payer. Proper HCPCS coding is not a guarantee of payment. Please verify the appropriate payer's coverage policy.

Get the latest order forms at tilite.com Prices, standard features, options and accessories are subject to change without notice. All rights reserved. Trademarks are identified by symbols™ and ®. TiLite, the TiLite logo, Ti, the Ti logo, The Titanium Experts, TiShaft and The Ultimate Ride are registered trademarks of TiSport, LLC. Adobe®, Acrobat®, Acrobat Professional® and Reader® are registered trademarks of Adobe Systems Inc. Bodypoint® is a registered trademark of Bodypoint Inc. Frog Legs® is a registered trademark of Frog Legs, Inc. Kenda® is a registered trademark of Kenda Rubber Industrial Co Ltd. Ride Designs® and Corbac® are registered trademark of Aspen Seating, LLC. ROHO®, Low Profile® and Quadro Select® are registered trademarks of ROHO Inc. Schwalbe® is a registered trademark of Ralf Bohle GmbH. Supracor®, Stimulite® and Corbee® are registered trademarks of Supracor, Inc. The Natural-Fit® is a registered trademark of Three Rivers Holdings, LLC. Varilite® is a registered trademark of Cascade Designs, Inc.

If you are using Adobe Acrobat, this order form may be converted into a quote request or into an order by clicking one of the buttons below (this feature is available exclusively to TiLite dealers and distributors). A TiLite Quote or a TiLite Order Confirmation will be sent to you within 24 hours.

QUOTE THIS CHAIR

ORDER THIS CHAIR