



The average annual per capita paper use in the USA in 2001 was 700 pounds. The average annual per capita paper use in the rest of the world was 110 pounds. This is equal to approximately 28 print outs per day every day. Excessive use of paper wastes landfill space, water, chemicals and the energy resources required to recycle the paper. Join TiLite in its efforts to reduce paper use by filling out this order form online and sending it via email. To learn more [click here](#) or visit: [tilite.com/thinkgreen.php](http://tilite.com/thinkgreen.php).

The TiLite® Aero Z Order Form is a digital order form and may be filled out on your computer using Adobe® Acrobat® or Adobe® Reader®. For your convenience the order form may then be saved and emailed directly to TiLite's Customer Service Team. Adobe® Acrobat® is recommended in order to take full advantage of the functions on this order form.

To save the completed Order Form to your desktop using Adobe® Reader®: (1) Fill out the order form completely (you will not be able to make changes once the order form is saved using this program). (2) Go to File and select Print; (3) Select Adobe PDF from your list of printers; (4) Select Print again; (5) Select the destination where you would like the file saved; and (6) Select Save. The "Quote This Chair" or "Order This Chair" function on page 7 will not work with Adobe® Reader®.

[Click here](#) to download for free Adobe® Reader® or to purchase Adobe® Acrobat®

| DEALER INFORMATION |             | RTS INFORMATION     |             |
|--------------------|-------------|---------------------|-------------|
| Dealer:            |             | RTS:                | Phone:      |
| Account:           | PO:         | Email:              |             |
| Ordered By:        |             | SHIP TO INFORMATION |             |
| Address:           |             | Name:               | Ship Via:   |
| City:              | State: Zip: | Address:            |             |
| Phone:             | Fax:        | City:               | State: Zip: |
| Email:             |             | Phone:              | Fax:        |
|                    |             | TiLite Information  |             |
| Mark For:          |             | Ship Date:          | Order #:    |

**Please Fax to the TiLite Customer Service Team at 866.586.2413 or 509.586.2413**



TiLite Aero Z shown in Ruby Red and with other available options.

### FRAME STYLE

- AZFS1  **TiLite Aero Z** (Full Adjustability) (250 Pound Weight Limit. Weight Limit is restricted to 150 pounds on chairs with Rear Seat Width **A** and Seat Depth **B** from 10"x10" to 12"x12".).....**\$2,095 K0005**
- AZPWR1  **Power Adaptable Frame** (No charge when 20" Rear Seat Width **A** and 20"Seat Depth **B** are selected. Requires Billet Aluminum Front Wheels and 0° Camber. Not available with Carbon Fiber or Titanium Camber Tubes or Titanium Quick Release Axles. Camber tube available in silver anodize only.).....**\$300**
- AZRFR1  **Reinforced Frame** (No charge when 20" Rear Seat Width **A** and 20"Seat Depth **B** are selected.).....**\$300**

### FRAME FINISHES

#### High Gloss Paint

- AZFF8  Super Wet Black
- AZFF9  Sunburst Yellow
- AZFF10  TiLite Red
- AZFF11  Military Green
- AZFF12  Orange Crush
- AZFF13  Hot Pink .....**STD**

#### Metallic Paint

- AZFF14  Ocean Blue Metallic
- AZFF15  Tangerine Metallic
- AZFF16  Salsa Red Metallic.....**STD**

#### Pearlescent Paint

- AZFF17  Midnight Blue Pearl
- AZFF18  White Pearl .....**STD**

#### Matte Paint

- AZFF19  Black Lava
- AZFF20  Deep Blue Ice
- AZFF21  Scarlet Ice.....**STD**

#### Candy Paint

- AZFF22  Ruby Red
- AZFF23  Azure Blue
- AZFF24  Root Beer Candy
- AZFF25  Electric Plum
- AZFF26  Atomic Green .....**STD**



**THE ULTIMATE RIDE.®**

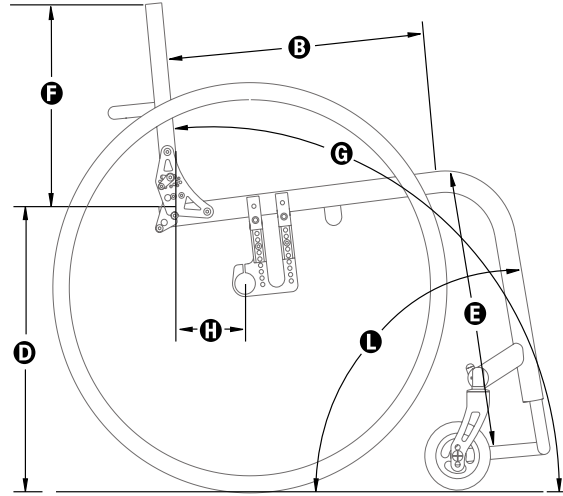
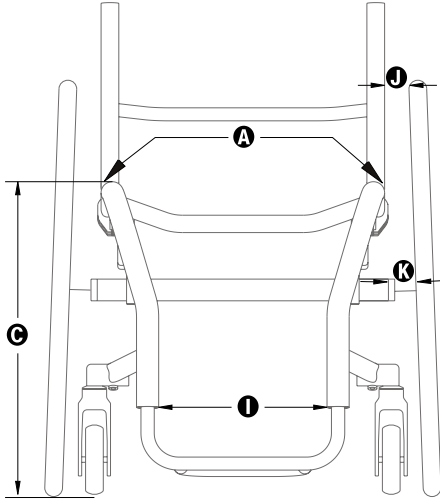
tilite.com  
 2701 West Court Street | Pasco, Washington 99301  
 509.586.6117 Tel | 800.545.2266 Toll-Free  
 509.586.2413 Fax | 866.586.2413 Toll-Free Fax

**COLOR ANODIZE PACKAGE**

(Color Anodize Package includes: Aluminum Camber Tube, Camber Mount, Caster Fork and Caster Mount. If no anodize color is selected, the default will be black.)

- AZANO1  Black ..... **STD**
- AZANO3  Red Pepper    AZANO4  Green Apple    AZANO5  Sapphire ..... **\$95**

**FRAME MEASUREMENTS**

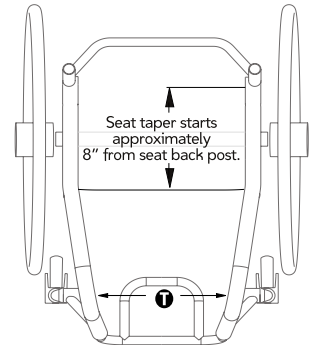


**REAR SEAT WIDTH A** Measure from outside of seat tube at back post to the outside of the opposite seat tube at back post.

- AZRSW4  10"     11"     12" (Weight Limit is restricted to 150 pounds on chairs with Rear Seat Width A and Seat Depth B from 10"x10" to 12"x12".)     13"     14"     15"     16"     17"     18"     19" ..... **STD**
- AZRSW2  20" ..... **\$300 E2201**

**FRONT SEAT WIDTH (SEAT TAPER) I** Measure from inside of front frame tube to inside of opposite front frame tube.

- AZFSW1  No Taper (2.5" Narrower than Rear Seat Width.) ..... **STD**
- AZFSW3  1.5" Taper (4" Narrower than Rear Seat Width. Includes Tension Adjustable by Straps Seat Upholstery.) ..... **\$250**
- AZFSW5  2.5" Taper (5" Narrower than Rear Seat Width. Includes Tension Adjustable by Straps Seat Upholstery.) ..... **\$250**



**SEAT DEPTH B** Measure from front of back post to the front edge of seat sling. Front edge of seat sling will be at the beginning of the bend at front of chair frame, unless Frog Legs® or a 90° Front Angle is ordered, in which case front edge of seat sling begins approximately 1" behind the bend.

- AZSD1  10"     11"     12" (Weight Limit is restricted to 150 pounds on chairs with Rear Seat Width A and Seat Depth B from 10"x10" to 12"x12".)     13"     14"     15"     16"     17"     18"     19" ..... **STD**
  - AZSD2  20" ..... **\$300 E2203**
  - AZSD3  Frame Depth Longer or Shorter Than Seat Depth (A Custom Frame Depth of 20" is \$450 if Seat Depth B of 20" is not also selected.) ..... **\$150**
- Custom Frame Depth: \_\_\_\_\_"

**FRONT SEAT HEIGHT C** Measure from floor to top of seat tube at beginning of bend. Aero Z adjusts up and down in 1/2" increments.

- AZFSH1  16"     16.5"     17"     17.5"     18"     18.5"     19"     19.5"     20"     20.5"     21" ..... **STD**

**FRAME MEASUREMENTS**

**REAR SEAT HEIGHT ①** Measure from floor to top of seat tube at back post. Aero Z adjusts up and down in 1/2" increments.

**REAR SEAT HEIGHT RANGES**

| Rear Wheel Size | Rear Seat Height ① |       |                                |                              |                                |  |
|-----------------|--------------------|-------|--------------------------------|------------------------------|--------------------------------|--|
| 20"             | 12.5" - 18.5"      | AZRS1 | <input type="checkbox"/> 12.5" | <input type="checkbox"/> 13" | <input type="checkbox"/> 13.5" | <input type="checkbox"/> 14"                 |
| 22"             | 14.0" - 19"        |       | <input type="checkbox"/> 14.5" | <input type="checkbox"/> 15" | <input type="checkbox"/> 15.5" | <input type="checkbox"/> 16"                 |
| 24"             | 14.0" - 20"        |       | <input type="checkbox"/> 16.5" | <input type="checkbox"/> 17" | <input type="checkbox"/> 17.5" | <input type="checkbox"/> 18"                 |
| 25"             | 14.5" - 20"        |       | <input type="checkbox"/> 18.5" | <input type="checkbox"/> 19" | <input type="checkbox"/> 19.5" | <input type="checkbox"/> 20"..... <b>STD</b> |
| 26"             | 15.5" - 20"        |       |                                |                              |                                |  |

**FRONT ANGLE ①** Measure from frame front to floor.

AZFA1  70°  75°  80°  85° (Not available with 6" Front Wheels.)  90° (Not available with 5" or 6" Front Wheels.).....**STD**

**SEAT TO FOOTREST ③/FOOTRESTS** Measure from front edge of seat sling to top rear of footrest. **Measurement must be at least 2" shorter than Front Seat Height ②.**

**STANDARD FOOTRESTS**

- 13.5"  14"  14.5"  15"  15.5"  16"  16.5"  17"  17.5"  18"  18.5"  19"
- AZFTR3  Angle Adjustable Footrest .....**STD K0040**
- AZFTR1  Titanium Footrest w/Flat ABS Cover.....**\$150**
- AZFTR2  Titanium Open Loop Footrest .....**\$200**
- AZFTR12  Titanium Flip-Back Footrest (Not available w/ 10" or 11" Rear Seat Width ④ or ABS Cover w/ 2" Sides.).....**\$150**

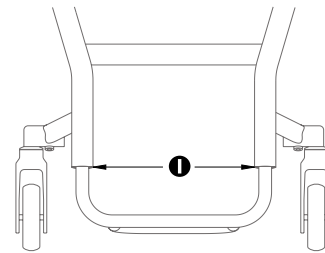
**HIGH MOUNT FOOTREST**

- 7"-9"  9"-11"  11"-13 Set at \_\_\_\_\_ (Use 1/2" increments)
- AZFTR4  Angle Adjustable High Mount Footrest.....**\$85 K0040**
- AZFTR14  **ABS Cover w/2" Sides** (Not available with Flip-Back Footrest or chairs with 10" or 11" Rear Seat Width ④.).....**\$95 K0041**

**FOOTREST WIDTH ① or ②** Select either a Standard Front End if no Seat Taper ① is selected on page 2 or a V-Front End if a Seat Taper ① is selected on page 2. ....**STD**

**STANDARD FRONT END ①** AZFE1 Find your Rear Seat Width ④ in the chart below and select one of the options to the right. Measure from inside of front frame tube to inside of opposite front frame tube.

| REAR SEAT WIDTH ④<br>(Outside Measurement) | FOOTREST WIDTH ①                                    |   |   |
|--|---|---|---|
|  | No Taper<br>(2.5" Narrower than<br>Rear Seat Width) | 1.5" Taper<br>(4" Narrower than<br>Rear Seat Width) | 3.5" Taper<br>(6" Narrower than<br>Rear Seat Width) |
| 10"  | <input type="checkbox"/> 7.5"                       |   |   |
| 11"  | <input type="checkbox"/> 8.5"                       |   |   |
| 12"  | <input type="checkbox"/> 9.5"                       | <input type="checkbox"/> 8"                         |   |
| 13"  | <input type="checkbox"/> 10.5"                      | <input type="checkbox"/> 9"                         |   |
| 14"  | <input type="checkbox"/> 11.5"                      | <input type="checkbox"/> 10"                        |   |
| 15"  | <input type="checkbox"/> 12.5"                      | <input type="checkbox"/> 11"                        | <input type="checkbox"/> 9"                         |
| 16"  | <input type="checkbox"/> 13.5"                      | <input type="checkbox"/> 12"                        | <input type="checkbox"/> 10"                        |
| 17"  | <input type="checkbox"/> 14.5"                      | <input type="checkbox"/> 13"                        | <input type="checkbox"/> 11"                        |
| 18"  | <input type="checkbox"/> 15.5"                      | <input type="checkbox"/> 14"                        | <input type="checkbox"/> 12"                        |
| 19"  | <input type="checkbox"/> 16.5"                      | <input type="checkbox"/> 15"                        | <input type="checkbox"/> 13"                        |
| 20"  | <input type="checkbox"/> 17.5"                      | <input type="checkbox"/> 16"                        | <input type="checkbox"/> 14"                        |



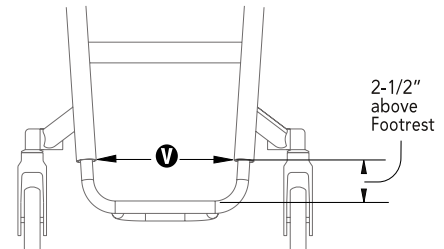
**OR**

**V-FRONT END ②** Measure from inside of front frame tube to inside of opposite front frame tube 2-1/2" above footrest. (Titanium Flip-Back Footrest has 1" of adjustment up and down.)

- NO V-Front Taper**
- OR**

**FOOTREST WIDTH ②**

- 7"  7.5"  8"  8.5"  9"  9.5"
- 10"  10.5"  11"  11.5"  12"  12.5"
- 13"  13.5"  14"  14.5"  15"  15.5"
- 16"  16.5"  17"  17.5"  18"



## FRAME MEASUREMENTS

**SEAT BACK TYPE/PUSH HANDLES/SEAT BACK HEIGHT** Measure from top of back post to top of seat tube at rear of frame.

### SEAT BACK TYPE

- AZSB1  Folding Aluminum Adjustable Height.....**STD**
- AZSB2  Folding Titanium Adjustable Height *(Titanium back will match Frame Finish. Not available with Bolt-On Push Handles.)*.....**\$175**
- AZSB11  Backrest that Locks when Folded.....**\$75**

### TISHAFT™ BACK RELEASE BARS

- AZSB3  Aluminum .....**STD**
- AZSB4  Titanium.....**\$35**

### PUSH HANDLES

- AZSB6  Integrated Push Handles.....**NCO**
- AZSB7  Integrated Fold-Down Push Handles *(Requires Tension Adjustable by Straps Back Upholstery.)*.....**\$100**
- AZSB8  Bolt-On Push Handles *(Includes 4" Deep Backrest Rigidizer Bar. Not available with Ti Back.)*.....**\$175**
- AZSB9  Bolt-On Height-Adjustable Push Handles *(Includes 4" Deep Backrest Rigidizer Bar. Not available with Ti Back. Limited range with a Depth Adjustable Back.)*.....**\$295**

### SEAT BACK HEIGHT

| Push Handles         | Short                                  | Medium                                 | Tall                                   | Set at: <i>(Use 1/2" increments)</i> |
|----------------------|--|--|--|--------------------------------------|
| None                 | <input type="checkbox"/> 8.5" - 12.5"  | <input type="checkbox"/> 12.5" - 16.5" | <input type="checkbox"/> 16.5" - 20.5" | <b>Set at:</b> _____                 |
| Integrated           | <input type="checkbox"/> 10.5" - 12.5" | <input type="checkbox"/> 13.5" - 16.5" | <input type="checkbox"/> 17.5" - 20.5" | <b>Set at:</b> _____                 |
| Integrated Fold-Down | <input type="checkbox"/> 12.5" - 14.5" | <input type="checkbox"/> 14.5" - 19"   | <input type="checkbox"/> 18.5" - 21"   | <b>Set at:</b> _____                 |

### AVAILABLE ON ALL BACKS

- AZSB12  4" Deep Backrest Rigidizer Bar.....**NCO**
- AZSB16  Depth Adjustable Back/Frame *(Not Available with 19" or 20" Seat Depths. Seat Depths of 10"-15" allow 3" of rearward adjustment. Seat Depths of 16"-18" allow 2" of rearward adjustment. Not available with TiShaft™ Back Release Bar, Carbon Fiber Side Guards, Swing Away Tubular Arms or Desk Arms. Depth Adjustable Back/Frame. comes with a pull cord back release. Height Adjustable Push Handles have a limited range with a Depth Adjustable Back.)*.....**\$185**
- AZSB13  Custom Height Backrest Rigidizer Bar *(The Standard Rigidizer Bar height is 5" above the Seat Sling for a short, 6-1/4" for a medium and 10-1/4" for a tall. Custom Height Rigidizer Bar must be at least 4-1/2" above Seat Sling or 5-3/4" above Seat Sling when used with 11" - 14" Swing Away Tubular Armrests. Maximum Height is 3" less than Lowest Seat Back Height.)*.....**\$150**  
Set at: \_\_\_\_\_ *(Use 1/4" increments)*

**SEAT BACK ANGLE**  Measure angle from front of back post to floor. 90° will be perpendicular to the floor. To approximate the angle from the back post to the seat, subtract 2 degrees from measurement for every .5" of dump.

- AZSBA1  80°  83°  86°  89°  92°  95°  98°  101°.....**STD**

**CENTER OF GRAVITY**  Measure from front of back post at the seat tube to the center of the rear axle. If no center of gravity is selected, chair will ship with the center of gravity in the rearward-most position.

- AZCOG1  1"  1.25"  1.5"  1.75"  2"  2.25"  2.5"  2.75"  3"  3.25"  3.5"  3.75"  
 4"  4.25"  4.5"  4.75"  5"  5.25"  5.5"  5.75"  6".....**STD**

**REAR WHEEL SPACING**  Measure from outside of seat back post to inside of rear tire. 3/4" Rear Wheel Spacing not available with 0° or 2° Camber .

- AZRWS1  .75"  1"  1.25"  1.5"  1.75"  2".....**STD**

### CAMBER /CAMBER TUBES

- AZCBR1  0°  2°  4°  6°  8°  12° .....**STD**
- AZCBR2  15°  18°.....**\$75**
- AZCBR3  Titanium Camber Tube *(Not available with Power Adaptable Frame.)*.....**\$50**
- AZCBR6  Carbon Fiber Camber Tube *(Not available with Power Adaptable Frame.)*.....**\$175**
- AZCBR4  Additional Titanium Camber Tube  0°  2°  4°  6°  8°  12°  15°  18°.....**\$100**
- AZCBR7  Additional Carbon Fiber Camber Tube  0°  2°  4°  6°  8°  12°  15°  18°.....**\$225**
- AZCBR5  Additional Aluminum Camber Tube  0°  2°  4°  6°  8°  12°  15°  18° .....**\$100**
- Additional Spacers to Increase Rear Wheel Spacing.....**NCO**

## CHAIR OPTIONS

### FRONT WHEELS

|        |                                   |   |             |
|--------|-----------------------------------|---|-------------|
| AZFW1  | <input type="checkbox"/> 3"x.75"  | Micro-Caster.....   | STD         |
| AZFW2  | <input type="checkbox"/> 3"x.75"  | Light-Up Micro-Caster.....  | \$65        |
| AZFW14 | <input type="checkbox"/> 4"x.75"  | Plastic Wheel w/Poly Tire.....  | NCO         |
| AZFW3  | <input type="checkbox"/> 4"x.75"  | Light-Up Micro-Caster.....  | \$65        |
| AZFW19 | <input type="checkbox"/> 4"x.75"  | Performance 5 Spoke Billet Aluminum Wheel w/Poly Tire <input type="checkbox"/> Silver Hub <input type="checkbox"/> Black Hub.....   | \$125       |
| AZFW20 | <input type="checkbox"/> 4"x1"    | Performance 5 Spoke 2-Piece Billet Aluminum Wheel w/Soft Roll Tire<br><input type="checkbox"/> Silver Hub <input type="checkbox"/> Black Hub.....                                       | \$165       |
| AZFW15 | <input type="checkbox"/> 4"x1.5"  | Plastic Wheel w/Poly Tire.....  | \$80        |
| AZFW6  | <input type="checkbox"/> 5"x1"    | Plastic Wheel w/Poly Tire (Not available with 90° Front Angle ).....  | NCO         |
| AZFW21 | <input type="checkbox"/> 5"x1"    | Performance 5 Spoke Billet Aluminum Wheel w/Poly Tire <input type="checkbox"/> Silver Hub <input type="checkbox"/> Black Hub<br>(Not available with 90° Front Angle ).....              | \$145       |
| AZFW22 | <input type="checkbox"/> 5"x1"    | Performance 5 Spoke 2-Piece Billet Aluminum Wheel w/Soft Roll Tire<br><input type="checkbox"/> Silver Hub <input type="checkbox"/> Black Hub (Not available with 90° Front Angle )..... | \$185       |
| AZFW18 | <input type="checkbox"/> 5"x1.5"  | Plastic Wheel w/Poly Tire (Not available with 90° Front Angle ).....  | \$80        |
| AZFW9  | <input type="checkbox"/> 6"x1"    | Plastic Wheel w/Poly Tire (Not available with 85° or 90° Front Angle ).....   | NCO         |
| AZFW11 | <input type="checkbox"/> 6"x1"    | Billet Aluminum Wheel w/Poly Tire <input type="checkbox"/> Silver Hub <input type="checkbox"/> Black Hub .....  | \$165       |
| AZFW10 | <input type="checkbox"/> 6"x1.25" | Plastic Wheel w/Pneumatic Tire (Not available with 85° or 90° Front Angle ).....  | \$65        |
| AZFW12 | <input type="checkbox"/> 6"x1.25" | Billet Aluminum Wheel w/Pneumatic Tire <input type="checkbox"/> Silver Hub <input type="checkbox"/> Black Hub<br>(Not available with 85° or 90° Front Angle ).....                      | \$165       |
| AZFW13 | <input type="checkbox"/> 6"x1.25" | 2-Piece Billet Aluminum Wheel w/Soft Roll Tire (Not available with 85° or 90° Front Angle ).....  | \$195       |
| AZFRG1 | <input type="checkbox"/>          | Frog Legs® Suspension Forks (Available in Black anodize only.).....   | \$395 E1015 |
| AZCPL1 | <input type="checkbox"/>          | Caster Pin Locks (Not available with Frog Legs®.).....  | \$225 K0073 |
| AZFW0  | <input type="checkbox"/>          | Omit Front Wheels (Must Choose Wheel Size Above.).....  | -\$20       |

### REAR WHEELS See Rear Seat Height Ranges chart on Page 2 for Rear Seat Height limitations.

|        |   |  |       |
|--------|---|--|-------|
| AZRW2  | Spinergy WIRE Wheel w/Low Flange Hub (Not available with Titanium Quick Release Axles.).....  |  | STD   |
|        | <input type="checkbox"/> 20"(451)   |  |       |
|        | <input type="checkbox"/> 22"(501)   |  |       |
|        | <input type="checkbox"/> 24"(540)   |  |       |
|        | <input type="checkbox"/> 25"(559) (Requires 15" minimum Seat Depth )  |  |       |
|        | <input type="checkbox"/> 26"(590) (Requires 15" minimum Seat Depth )  |  |       |
| AZRW5  | TiLite Wheel w/High Flange Hub (Not available Titanium Quick Release Axles.) .....  |  | \$250 |
|        | <input type="checkbox"/> 24"(540)   |  |       |
|        | <input type="checkbox"/> 25"(559) (Requires 15" minimum Seat Depth )  |  |       |
|        | <input type="checkbox"/> 26"(590) (Requires 15" minimum Seat Depth )  |  |       |
| AZRW7  | Spinergy SPOX <input type="checkbox"/> Black <input type="checkbox"/> Red <input type="checkbox"/> Yellow <input type="checkbox"/> Blue <input type="checkbox"/> White.....   |  | \$695 |
|        | <input type="checkbox"/> 22"(501) - Std. Hub  |  |       |
|        | <input type="checkbox"/> 24"(540) - Std. Hub  |  |       |
|        | <input type="checkbox"/> 25"(559) - Std. Hub (Requires 15" minimum Seat Depth )   |  |       |
|        | <input type="checkbox"/> 26"(590) - Sport Hub (Requires 15" minimum Seat Depth . Not available with Titanium Quick Release or Quad Release Axles.)  |  |       |
| AZRW8  | Spinergy LX <input type="checkbox"/> Black <input type="checkbox"/> Red <input type="checkbox"/> Yellow <input type="checkbox"/> Blue <input type="checkbox"/> White <input type="checkbox"/> Go Green <input type="checkbox"/> Bright Orange<br><input type="checkbox"/> Flamingo Pink (Please allow an additional 2-3 weeks delivery on Go Green, Bright Orange and Flamingo Pink.) ..... |  | \$895 |
|        | <input type="checkbox"/> 22"(501) - Std. Hub  |  |       |
|        | <input type="checkbox"/> 24"(540) - Std. Hub  |  |       |
|        | <input type="checkbox"/> 25"(559) - Std. Hub (Requires 15" minimum Seat Depth )   |  |       |
|        | <input type="checkbox"/> 26"(590) - Sport Hub (Requires 15" minimum Seat Depth . Not available with Titanium Quick Release or Quad Release Axles.)  |  |       |
| AZRW11 | Skyway Mags <input type="checkbox"/> 20" <input type="checkbox"/> 22" <input type="checkbox"/> 24" (Not available with Short Tabs, Titanium Quick Release Axles, Quad Release Axles or Spoke Guards.).....  |  | NCO   |
| AZRW0  | <input type="checkbox"/> Omit Rear Wheels (Must choose Wheel Size above and Tire Type on next page.).....   |  | -\$50 |

### AXLES

|        |   |       |
|--------|---|-------|
| AZAXL1 | Stainless Quick Release.....  | STD   |
| AZAXL2 | Titanium Quick Release (Not available with TiLite High Flange Hub, Spinergy WIRE, Skyway Mags, 26"(590) Spinergy SPOX or LX Rear Wheels or Power Adaptable Frame.)..... | \$195 |
| AZAXL3 | Quad Release (Not available with Skyway Mags or 26"(590) Spinergy Spox or LX Rear Wheels.).....   | \$95  |

**CHAIR OPTIONS**

**PNEUMATIC REAR TIRES**

|  |              |              |
|--|--------------|--------------|
| AZRTR1 <input type="checkbox"/> Treaded (Not available with 25"(559) Rear Wheels.).....  | <b>STD</b>   |              |
| AZRTR2 <input type="checkbox"/> Airless Inserts .....  | <b>\$80</b>  | <b>E2213</b> |
| AZRTR3 <input type="checkbox"/> 25" Primo Treaded (Standard with 25"(559) Rear Wheels.).....   | <b>STD</b>   |              |
| AZRTR4 <input type="checkbox"/> Primo .....  | <b>NCO</b>   |              |
| AZRTR5 <input type="checkbox"/> 24", 25" and 26" Kenda® High Pressure (110psi) <input type="checkbox"/> Grey <input type="checkbox"/> Red <input type="checkbox"/> Blue..... | <b>\$85</b>  |              |
| AZRTR6 <input type="checkbox"/> 24" Grey Knobby (Requires TiLite Wheel with High Flange Hub.).....   | <b>\$95</b>  |              |
| AZRTR7 <input type="checkbox"/> 26" Black Knobby (Requires TiLite Wheel with High Flange Hub or Spinergy SPOX™ or Spinergy LX Rear Wheels.).....                             | <b>\$95</b>  |              |
| AZRTR8 <input type="checkbox"/> 24", 25" and 26" Schwalbe® Marathon Plus Evolution.....  | <b>\$110</b> |              |
| AZRTR9 <input type="checkbox"/> 24" and 25" Schwalbe® SpeedRun.....  | <b>\$125</b> |              |

**SOLID REAR TIRES**

|   |             |
|---|-------------|
| AZRTR10 <input type="checkbox"/> 20" (451) Street Tread.....                  | <b>\$65</b> |
| AZRTR11 <input type="checkbox"/> 22" (501) Pyramid.....                       | <b>\$75</b> |
| AZRTR13 <input type="checkbox"/> 24"(540) and 25"(559) Herringbone Tread..... | <b>\$90</b> |
| AZRTR15 <input type="checkbox"/> 24"(540) and 25"(559) Treaded.....           | <b>\$90</b> |

**HANDRIMS**


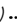
**Handrim Type**

|   |              |
|---|--------------|
| AZRIM1 <input type="checkbox"/> Aluminum – Silver Anodized.....   | <b>STD</b>   |
| AZRIM2 <input type="checkbox"/> Titanium (Not available with Skyway Mags, 20" or 22" Rear Wheels, or 24" Knobby tires.)                                       |              |
| <input type="checkbox"/> Satin Finish.....  | <b>\$400</b> |
| <input type="checkbox"/> Polished Finish.....   | <b>\$550</b> |
| AZRIM3 <input type="checkbox"/> The Natural-Fit® (Original, Larger Profile) (Not available with Skyway Mags.)   |              |
| <input type="checkbox"/> Standard Grip (Not available with short tabs.).....  | <b>\$295</b> |
| <input type="checkbox"/> Super Grip (Not available with short tabs.).....   | <b>\$340</b> |
| <input type="checkbox"/> Without Thumb Grip.....  | <b>\$270</b> |
| AZRIM4 <input type="checkbox"/> The Natural-Fit® LT (Reduced Weight, Smaller Profile) (Not available with Skyway Mags.)                                       |              |
| <input type="checkbox"/> Standard Grip (Not available with short tabs.).....  | <b>\$325</b> |
| <input type="checkbox"/> Super Grip (Not available with short tabs.).....   | <b>\$370</b> |
| <input type="checkbox"/> Without Thumb Grip.....  | <b>\$300</b> |
| AZRIM9 <input type="checkbox"/> Spinergy FlexRim (Available only on 24" and 25" Spinergy LX Rear Wheels. Please allow an additional 2-3 weeks delivery.)..... | <b>\$495</b> |
| AZRIM5 <input type="checkbox"/> Plastic Coated – Black.....   | <b>\$95</b>  |
| AZRIM6 <input type="checkbox"/> Projections - 8 Vertical Projections (Not available with 20", 22" or 26" Rear Wheels or Skyway Mags.).....                    | <b>\$240</b> |
| AZRIM0 <input type="checkbox"/> Omit Handrims.....  | <b>\$15</b>  |

**Tab Length**

|  |             |
|--|-------------|
| AZRIM7 <input type="checkbox"/> Long Tabs.....   | <b>STD</b>  |
| AZRIM8 <input type="checkbox"/> Short Tabs (Not available with Skyway Mags or The Natural-Fit® Handrims with Thumb Grip.)..... | <b>\$15</b> |

**WHEEL LOCKS**

|  |              |              |
|--|--------------|--------------|
| AZWLK1 <input type="checkbox"/> Standard Push to Lock (Available with .75" to 1.5" Rear Wheel Spacing  only. Not available with 13" or shorter Seat Depth  ) ..... | <b>NCO</b>   |              |
| AZWLK6 <input type="checkbox"/> Extension Handles for Standard Push to Lock.....   | <b>\$75</b>  | <b>E0961</b> |
| AZWLK2 <input type="checkbox"/> Composite Scissor Lock.....  | <b>\$110</b> |              |
| AZWLK5 <input type="checkbox"/> Black Aluminum Scissor Lock .....  | <b>\$135</b> |              |
| AZWLK3 <input type="checkbox"/> Uni-Lock Set At: <input type="checkbox"/> Push <input type="checkbox"/> Pull.....  | <b>\$135</b> |              |
| AZWLK4 <input type="checkbox"/> Extension Handles for Uni-Lock.....  | <b>\$50</b>  | <b>E0961</b> |

**UPHOLSTERY COLORS**

|  |             |
|--|-------------|
| AZUPC1 <input type="checkbox"/> Black.....   | <b>STD</b>  |
| AZUPC2 <input type="checkbox"/> Ti Red <input type="checkbox"/> Royal Blue <input type="checkbox"/> Navy Blue <input type="checkbox"/> Hunter Green <input type="checkbox"/> Purple <input type="checkbox"/> Digital Camo..... | <b>\$50</b> |

## CHAIR OPTIONS

### BACK UPHOLSTERY

- AZBUP2  Velcro Adjustable (Not available with Fold-Down Push Handles.).....**STD**
- AZBUP3  Tension Adjustable by Straps (Required with Fold-Down Push Handles.).....**\$150**
- AZBUP0  Omit Back Upholstery.....**NCO**
- AZBUP4  Ride Designs® Corbac™ Adjustable Contour Back Support (Black only. Not available with Fold-Down Push Handles. See Chart Below.).....**\$455 E2611**

### CORBAC® SEAT WIDTH/BACK HEIGHT AVAILABILITY CHART

| Rear Seat Width <b>A</b> | Seat Back Height <b>B</b> |
|--------------------------|---------------------------|
| 14"                      | 13" - 15"                 |
| 15"                      | 13" - 16"                 |
| 16"                      | 14" - 16"                 |
| 17"                      | 14" - 16"                 |
| 18"                      | 14" - 16"                 |

### SEAT UPHOLSTERY

- AZSUP1  Tension Adjustable Bolt On (Not available with Tapered Seat **B**. Black upholstery only.).....**STD**
- AZSUP2  Tension Adjustable by Straps (Standard with Front Seat Width (Seat Taper) **B** of 1.5" or 2.5". Not available with Depth Adjustable Back or chairs with 10" or 11" Rear Seat Width **A**. Black upholstery only.).....**\$150**
- AZSUP5  Aluminum Solid Seat (Not available on chairs with 10" or 11" Rear Seat Width **A**.).....**\$225 E2231**
- AZSUP0  Omit Seat Upholstery.....**NCO**

### SEAT CUSHIONS

- AZCSH1  Foam Cushion  2"  3"  4".....**\$95**
- AZCSH2  StimuLITE® Sport (2" Black 13"x15" to 20"x 20") (Please allow an additional 2-3 weeks delivery. Black upholstery only.).....**\$495 E2603**
- AZCSH3  Corbee® (2" Black 10"x 10" to 16"x 16") (Please allow an additional 2-3 weeks delivery. Black upholstery only.).....**\$495 E2603**
- AZCSH4  ROHO® Low Profile® Quadtro® Select (Please allow an additional 2-3 weeks delivery. Black upholstery only.).....**\$525 K0736**
- AZCSH5  ROHO® Custom (Please allow an additional 2-3 weeks delivery. Black upholstery only.).....**\$625 K0734**
- AZCSH6  VARILITE® Evolution™ (Black only. See chart below.).....**\$495 K0734**
- AZCSH7  VARILITE® Zoid™ (Black only. See chart below.).....**\$495 K0734**

### VARILITE® SEAT CUSHION AVAILABILITY CHART

| Seat Width <b>A</b> | Seat Depth <b>B</b>  |                 |
|---------------------|----------------------|-----------------|
|                     | VARILITE® Evolution™ | VARILITE® Zoid™ |
| 12"                 | 14"                  | 8", 12", 14"    |
| 13"                 | NONE                 | NONE            |
| 14"                 | 14", 16", 18", 20"   | 14", 16", 18"   |
| 15"                 | 15", 17"             | 15", 17"        |
| 16"                 | 14", 16", 18", 20"   | 16", 18", 20"   |
| 17"                 | 17"                  | 17"             |
| 18"                 | 16", 18", 20"        | 16", 18", 20"   |
| 19"                 | NONE                 | NONE            |
| 20"                 | 16", 18", 20"        | 16", 18", 20"   |

### SIDE GUARDS

- AZSDG1  Cloth (Not available with Ride Designs® Corbac™ back support.).....**\$45**
- Aluminum**
  - AZSDG2  Rigid Removable  Small  Std.....**\$175**
  - AZSDG3  Quad Removable w/Hole  Small  Std.....**\$185**
  - AZSDG4  Fold Down Rigid  Small  Std.....**\$295**
- Carbon Fiber** (Not available with Depth Adjustable Back/Frame.)
  - AZSDG7  Rigid Removable  Small  Std.....**\$270**
  - AZSDG8  Quad Removable w/Hole  Small  Std.....**\$280**
  - AZSDG9  Fold Down Rigid  Small  Std.....**\$400**
  - AZSDG12  Fendered Removable.....**\$395**
- Available on Aluminum and Carbon Fiber Non-Fendered Side Guards**
  - AZSDG13  Side Guards Custom Cut to Profile of Rear Wheels (Not available with Cloth.).....**\$275**



## CHAIR OPTIONS

### ARMRESTS

- AZARM1  Swing Away Tubular *(Not available with Depth Adjustable Back/Frame.)*  9" to 12"  11" to 14" ..... **\$195 E0973**  
  - Covered in Black Ultrasuede..... **\$75**
- AZARM4  Swing Away - Flip Back Tubular..... **\$275 E0973**  
  - Covered in Black Ultrasuede..... **\$75**
- AZARM2  Removable Height Adjustable Desk Arm with Rigid Side Guard *(Not available with Depth Adjustable Back/Frame. Requires 14" minimum Seat Depth Ⓞ.)* ..... **\$350 E0973**  
  - 9" to 12"  12" to 15"  
    - Standard Length Pad (10")  Full Length Pad (14")  
      - Covered in Black Ultrasuede..... **\$75**
- AZARM3  Removable Height Adjustable Desk Arm with Rigid Side Guard and Transfer Loop *(Not available with Depth Adjustable Back/Frame. Requires 15" minimum Seat Depth Ⓞ.)* ..... **\$395 E0973**  
  - 9" to 12"  12" to 15"  
    - Standard Length Pad (10")  Full Length Pad (14")  
      - Covered in Black Ultrasuede..... **\$75**

### SEAT BELTS

- AZBLT1  Velcro Adjustable, Black Nylon Webbing..... **\$45 E0978**
- AZBLT2  Bodypoint® Auto-Style Release Buckle..... **\$85 E0978**

### CALF STRAP

- AZCLF1  Buckle Adjustable, Black Nylon Webbing..... **\$25 K0038**
- AZCLF2  Velcro Adjustable..... **\$35 K0038**  
  - Xtra Small (Recommended for 10" - 13" Seat Widths)
  - Small (Recommended for 12" - 15" Seat Widths)
  - Medium (Recommended for 14" - 18" Seat Widths)
  - Large (Recommended for 17" - 19" Seat Widths)
  - Xtra Large (Recommended for 18" - 20" Seat Widths)
- AZCLF3  Bodypoint® Padded Velcro Adjustable ..... **\$75 K0038**  
  - Small (Recommended for 10" - 11" Seat Widths)
  - Medium (Recommended for 12" - 15" Seat Widths)
  - Large (Recommended for 16" - 20" Seat Widths)

### BACK PACK

- AZBCK1  Small - Black Nylon..... **\$50**
- AZBCK2  Large - Black Nylon..... **\$65**

### SEAT POUCH

- AZPCH1  Small - Black Nylon..... **\$40**
- AZPCH2  Large - Black Nylon..... **\$45**

### SPOKE GUARDS

- AZGRD1  Clear with TiMotion Logo *(Not available with Skyway Mags or 20" Rear Wheels.)* ..... **\$110 K0065**

### ANTI-TIPS

- AZTIP1  Rear Aluminum - Black..... **\$135 E0971**
- AZTIP2  User Friendly Rear Flip-up..... **\$245 E0971**

### ACCESSORIES

- AZLUG1  Luggage Carriers..... **\$125**
- AZMPCT1  Neoprene Impact Guards *(Impact Guards will match upholstery color.)*..... **\$75**
- AZCAT1  Catch-All..... **\$45**
- AZCH1  Crutch Holder..... **\$65 E2207**
- AZTS1  TiLite T-Shirt  Small  Medium  Large  X-Large  XX-Large..... **\$20**
- AZTIP5  Front Roller *(Requires that Seat to Footrest Measurement Ⓞ be at least 3" shorter than Front Seat Height Ⓞ.)*..... **\$95**
- AZHS1  TiLite 9 Piece SAE Round Handle Folding Hex Key Set..... **\$20**
- AZAFP1  4" Logo Patch  Army  Navy  Air Force  Marines ..... **\$50**
- AZAFP2  Name Tape Patch  Army  Navy  Air Force  Marines ..... **\$50**
- AZAFP3  Combat Wounded Purple Heart Patch..... **\$50**

## DESIGNS UNLIMITED



TiLite's Aero Z offers hundreds of different frame combinations! But sometimes even that's not enough. If you would like to customize your TiLite, check out the Designs Unlimited Studio at [www.tilite.com](http://www.tilite.com). There you will find drawings and pricing for hundreds of creative solutions to customers' customization requests. We call these "D.U.'s." If you don't find the D.U. you're looking for, contact the TiLite Customer Service Team at 800.545.2266 or [customerservice@tilite.com](mailto:customerservice@tilite.com) and we'll design a D.U. just for you. Designs Unlimited customization may add an additional 2 to 3 weeks to the ship time of your chair.

## TILITE ORDERING PROCESS

Upon submitting this Order Form, you will receive either a TiLite QUOTE or a TiLite ORDER CONFIRMATION. Please CAREFULLY EXAMINE the QUOTE or ORDER CONFIRMATION for NOTES written by TiLite's Customer Service Team. These notes must be addressed by you before TiLite can process your order. The FOOTNOTES contained in this Order Form are CRITICAL. Please REVIEW all FOOTNOTES while completing the Order Form. If you have requested a DRAWING of this chair, a copy of the drawing SIGNED by YOU must be received by TiLite before TiLite can process the order.

## GENERAL

TiLite manufactures a wide variety of wheelchairs to meet the varied needs of wheelchair users. The final selection of a particular model, its options and accessories, and its measurements rests solely with the wheelchair user and advising healthcare professional. TiLite wheelchairs must be fitted by a qualified healthcare professional. HCPCS Codes are for reference purposes only. Actual coding and coverage varies by payer. Proper HCPCS coding is not a guarantee of payment. Please verify the appropriate payer's coverage policy.

**Get the latest order forms at [tilite.com](http://tilite.com)** Prices, standard features, options and accessories are subject to change without notice. All rights reserved. Trademarks are identified by symbols™ and ®. TiLite, the TiLite logo, Ti, the Ti logo, The Titanium Experts and The Ultimate Ride are registered trademarks of TiSport, LLC. Adobe®, Acrobat®, Acrobat Professional® and Reader® are registered trademarks of Adobe Systems Inc. Alcantara® is a registered trademark of Alcantara S.p.A. Bodypoint® is a registered trademark of Bodypoint Inc. Frog Legs® is a registered trademark of Frog Legs, Inc. Kenda® is a registered trademark of Kenda Rubber Industrial Co Ltd. Ride Designs® and Corbac® are registered trademark of Aspen Seating, LLC. ROHO®, Low Profile® and Quadtro Select® are registered trademarks of ROHO Inc. Schwalbe® is a registered trademark of Ralf Bohle GmbH. Supracor®, Stimulite® and Corbee® are registered trademarks of Supracor, Inc. The Natural-Fit® is a registered trademark of Three Rivers Holdings, LLC. Ultrasuede® is a registered trademark of Toray Ultrasuede (America), Inc. Varilite® is a registered trademark of Cascade Designs, Inc.

## NOTES

---

---

---

If you are using Adobe Acrobat, this order form may be converted into a quote request or into an order by clicking one of the buttons below (this feature is available exclusively to TiLite dealers and distributors). A TiLite Quote or a TiLite Order Confirmation will be sent to you within 24 hours.

**QUOTE THIS CHAIR**

**ORDER THIS CHAIR**