



Quickie Ti Titanium

EIT3, Effective July 2010

ACCOUNT #: _____ SHIP TO: _____

DATE: _____ NAME: _____

P.O. #: _____ ADDRESS: _____

BUYER: _____ CITY/ STATE: _____

MARKED FOR: _____ ZIP CODE: _____ PHONE NUMBER: _____

The HCPCS codes provided are based on code verification by the SADMERC or our interpretation of the code definitions.
Proper use of HCPCS codes does not ensure coverage or payment. For coverage information, verify the appropriate payor's coverage policy.

BASE MODEL	
<input type="checkbox"/> 125WM12 K0005 Quickie TI Titanium	\$2,095.00

SEAT WIDTH	
<i>Measurement A: Measure from outside of seat tube to the outside of opposite seat tube.</i>	
<input type="checkbox"/> 125S4	13" NC
<input type="checkbox"/> 125S5	14" NC
<input type="checkbox"/> 125S6	15" NC
<input type="checkbox"/> 125S7	16" NC
<input type="checkbox"/> 125S8	17" NC
<input type="checkbox"/> 125S9	18" NC

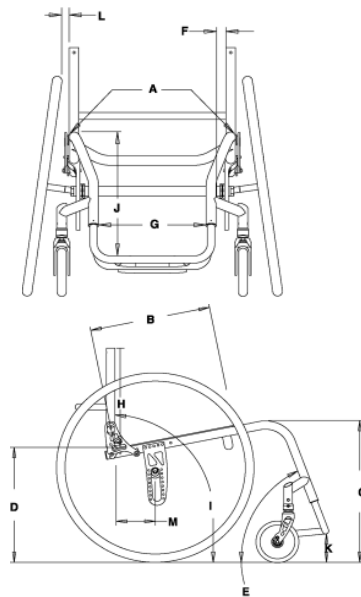
SEAT DEPTH	
<i>Measurement B: Measure from front of the back post to the front edge of the seat upholstery.</i>	
<input type="checkbox"/> 125SD7	14" NC
<input type="checkbox"/> 125SD8	15" NC
<input type="checkbox"/> 125SD9	16" NC
<input type="checkbox"/> 125SD10	17" NC
<input type="checkbox"/> 125SD11	18" NC
<input type="checkbox"/> 125SD12	19" NC

FRONT SEAT HEIGHT	
<i>Measurement C: Measure from top of seat tube, at beginning of bend, to the floor.</i>	
<input type="checkbox"/> 125SH14	16" NC
	<i>NA w/ 5" caster</i>
<input type="checkbox"/> 125SH15	16-1/2" NC
	<i>NA w/ 5" caster</i>
<input type="checkbox"/> 125SH16	17" NC
<input type="checkbox"/> 125SH17	17-1/2" NC
<input type="checkbox"/> 125SH18	18" NC
<input type="checkbox"/> 125SH20	18-1/2" NC
<input type="checkbox"/> 125SH21	19" NC
<input type="checkbox"/> 125SH23	19-1/2" NC
<input type="checkbox"/> 125SH24	20" NC

REAR SEAT HEIGHT	
<i>Measurement D: Measure from top of seat tube in the rear of the frame to the floor.</i>	
<input type="checkbox"/> 125RH13	14" NC
<input type="checkbox"/> 125RH14	14-1/2" NC
<input type="checkbox"/> 125RH15	15" NC
<input type="checkbox"/> 125RH16	15-1/2" NC
<input type="checkbox"/> 125RH17	16" NC
<input type="checkbox"/> 125RH18	16-1/2" NC
<input type="checkbox"/> 125RH19	17" NC
<input type="checkbox"/> 125RH26	17-1/2" NC
<input type="checkbox"/> 125RH20	18" NC
<input type="checkbox"/> 125RH27	18-1/2" NC
<input type="checkbox"/> 125RH21	19" NC

FRAME ANGLE	
<i>See measurement E. Measure from front frame to floor.</i>	
<input type="checkbox"/> 125FA7	70° NC
<input type="checkbox"/> 125FA8	80° NC
<input type="checkbox"/> 125FA2	85° NC

FRAME INSET	
<i>See measurement F. Measure from the seat width- in from both sides (taper). 0" inset - no taper, 1" inset - 1" taper on both sides, 2" inset - 2" taper on both sides.</i>	
<input type="checkbox"/> 125FF1	0" (footrest width=frame width-2") NC
<input type="checkbox"/> 125FF2	1" (footrest width=frame width-4") NC
<input type="checkbox"/> 125FF3	2" (footrest width=frame width-6") NC
<i>NA w/ 13" seat width.</i>	



SEAT TO FLOOR HEIGHT REFERENCE			
<i>Tallest Rear Seat Height=Front Seat Height-1"; Shortest Rear Seat Height=Front Seat Height-3.5". (Minimum of 1" - Maximum of 3.5" front to rear seat angle within the options available.)</i>			

Front Seat Height 5" increments	Rear Seat Height 5" increments	Footrest Adjustability Range (from sling - without cushion)	Footrest Adjustability Range- Long (from sling - without cushion)
C	D	J	J
20"	19"-16.5"	17.25"-14.25"	18.59"-15.59"
19.5"	18.5"-16"	16.75"-13.75"	18.09"-15.09"
19"	18"-15.5"	16.25"-13.25"	17.59"-14.59"
18.5"	17.5"-15"	15.75"-12.75"	17.09"-14.09"
18"	17"-14.5"	15.25"-12.25"	16.59"-13.59"
17.5"	16.5"-14"	14.75"-11.75"	16.09"-13.09"
17"	16"-13.5"	14.25"-11.25"	15.59"-12.59"
16.5"	15.5"-13"	13.75"-11.75"	15.09"-13.09"
16"	15"-12.5"	13.25"-11.25"	14.59"-12.59"

CUSHION

<input type="checkbox"/>	125CU1	K0669 2" Cushion	\$95.00
<input type="checkbox"/>	125SL6	Omit Seat Sling	-\$15.00

TITANIUM FIXED HEIGHT BACKREST (ANGLE-ADJUSTABLE)

Choose either Titanium or Aluminum back type. For Back height see measurement H on page 1. Measure from top of back post to top of seat tube.

<input type="checkbox"/>	125BT42	Titanium Folding	NC
<input type="checkbox"/>	125BT44	Titanium Non-Folding	NC
Back Height			
<input type="checkbox"/>	125BB3	10"	\$175.00
<input type="checkbox"/>	125BB4	11"	\$175.00
<input type="checkbox"/>	125BB5	12"	\$175.00
<input type="checkbox"/>	125BB6	13"	\$175.00
<input type="checkbox"/>	125BB7	14"	\$175.00
<input type="checkbox"/>	125BB8	15"	\$175.00

ALUMINUM FOLDING HEIGHT BACKREST (ANGLE-ADJUSTABLE)

Choose either Titanium or Aluminum back type. For Back height see measurement H on page 1. Measure from top of back post to top of seat tube.

<input type="checkbox"/>	125BT1	Aluminum Folding	NC
Back Height			
<input type="checkbox"/>	125BA1	11" - 14" Back Height <i>NA with fold-down push handles</i>	NC
<input type="checkbox"/>	125BA2	12" - 16" Back Height	NC
<input type="checkbox"/>	125BA3	14" - 18" Back Height	NC
<input type="checkbox"/>	125BA4	16" - 20" Back Height	NC

BACKREST OPTIONS

<input type="checkbox"/>	125BU1	Standard Upholstery	NC
<input type="checkbox"/>	125BU8	Adjustable Upholstery	\$175.00
<input type="checkbox"/>	125BU14	Omit Back Upholstery	-\$15.00
<input type="checkbox"/>	125PH5	Fold-Down Push Handles <i>NA with 11" - 14" Back Height Available only with Adj. Upholstery or Omit Upholstery.</i>	\$100.00
<input type="checkbox"/>	125BT33	Integral Push Handles <i>Only available with Aluminum Backrest.</i>	NC

FOOTREST

Footrest is Preset 2" shorter than front seat height measurement

<input type="checkbox"/>	125F76	Titanium Tubular	NC
<input type="checkbox"/>	125F84	Titanium Tubular Long	NC
<input type="checkbox"/>	125F85	Titanium Tubular w/Flat Cover	NC
<input type="checkbox"/>	125F185	Titanium Tubular w/Flat Cover Long	NC
<input type="checkbox"/>	125F103	Aluminum Platform Footrest	\$55.00

ADAPTIVE PLATFORM SPACER

Only available with platform footrest.

<input type="checkbox"/>	125AD1	Adaptive Platform 2" Spacer	\$95.00
<input type="checkbox"/>	125AD2	Adaptive Platform 4" Spacer	\$95.00
<input type="checkbox"/>	125AD3	Adaptive Platform 6" Spacer	\$95.00

ARMREST

<input type="checkbox"/>	125AA15	E0973 Padded Swing-Away Armrest (9-12") <i>NA w/ 3/4" or 1" axle spacing</i>	\$175.00
<input type="checkbox"/>	125AA2	E0973 Padded Swing-Away Armrest Tall(12-16") <i>NA w/ 3/4" or 1" axle spacing</i>	\$175.00
<input type="checkbox"/>	125AA14	Omit Armrest	NC

CASTERS

<input type="checkbox"/>	125CW1	3" Micro	NC
<input type="checkbox"/>	125CW3	4" Low Profile Polyurethane	NC
<input type="checkbox"/>	125CW31	4" Micro Lighted	\$70.00
<input type="checkbox"/>	125CW5	5" Low Profile Polyurethane	NC

REAR AXLE WHEEL SPACING

See Measurement L on page 1. Measure from inside of wheel to outside of backrest tube.

<input type="checkbox"/>	125AV5	3/4" <i>NA w/ 0° and 2° camber.</i>	NC
<input type="checkbox"/>	125AV2	1" <i>NA w/ 0° camber.</i>	NC
<input type="checkbox"/>	125AV6	1-1/4"	NC
<input type="checkbox"/>	125AV3	1-1/2"	NC

REAR WHEEL TYPE

Contact Built 4 Me for Spinergy color options

<input type="checkbox"/>	125RW2	24" Spoke Wheel (540) <i>NA w/ turbo tread</i>	NC
<input type="checkbox"/>	125RW11	26" Spoke Wheel (590) <i>NA w/ turbo tread</i>	\$55.00
<input type="checkbox"/>	125RW78	24" Ultra Lightweight Spoke Wheel	\$250.00
<input type="checkbox"/>	125RW42	24" Spinergy (540) Black Spokes	\$695.00
<input type="checkbox"/>	125RW43	24" Spinergy (559) Black Spokes	\$695.00
<input type="checkbox"/>	125RW44	26" Spinergy (590) Black Spokes <i>Only available w/ high pressure clinchers or pneumatic tires. Only available w/ aluminum or plastic-coated handrims.</i>	\$695.00

REAR WHEEL TIRE

<input type="checkbox"/>	125RT1	E2211 Pneumatic E2212	NC
<input type="checkbox"/>	125RT2	E2211 Pneumatic Airless Insert E2213 <i>Only available with 24" (540) wheels. NA w/ Quickie Performance wheel options</i>	\$80.00
<input type="checkbox"/>	125RT6	E2211 High-Pressure Clincher E2212	\$95.00
<input type="checkbox"/>	125RT21	E2211 Schwalbe Marathon Plus Evolution E2212	\$125.00
<input type="checkbox"/>	125RT22	E2218 Kik Mako Black	\$95.00

HANDRIM

<input type="checkbox"/>	125HR1	Aluminum Anodized	NC
<input type="checkbox"/>	125HR4	Plastic Coated	\$95.00
<input type="checkbox"/>	125HR22	Natural Fit Standard Grip <i>NA on HT or Ultralight wheels</i>	\$375.00
<input type="checkbox"/>	125HR23	Natural Fit Super Grip <i>NA on HT or Ultralight wheels</i>	\$395.00
<input type="checkbox"/>	125HR7	Omit Handrim	NC

CENTER OF GRAVITY PRESET

See measurement M on page 1. Measured forward of backrest tubes.

Note: Possible interference of front casters with rear wheels.

<input type="checkbox"/>	125CC1	1/2"	NC
		<i>NA w/ folding backrest or height adj. folding backrest.</i>	
<input type="checkbox"/>	125CC2	1"	NC
		<i>NA w/ folding backrest or height adj. folding backrest.</i>	
<input type="checkbox"/>	125CC3	1-1/2"	NC
<input type="checkbox"/>	125CC4	2"	NC
<input type="checkbox"/>	125CC5	2-1/2"	NC
<input type="checkbox"/>	125CC6	3"	NC
<input type="checkbox"/>	125CC7	3-1/2"	NC
<input type="checkbox"/>	125CC8	4"	NC
		<i>Possible interference of front casters w/ rear wheels.</i>	
<input type="checkbox"/>	125CC9	4-1/2"	NC
		<i>Possible interference of front casters w/ rear wheels.</i>	

AXLE

<input type="checkbox"/>	125AX1	Quick Release Steel	NC
<input type="checkbox"/>	125AX11	Quad Quick Release	\$90.00
		<i>Not available with Spinergy wheels.</i>	

CAMBER

<input type="checkbox"/>	125CN01	0°	NC
<input type="checkbox"/>	125CN13	2°	NC
<input type="checkbox"/>	125CN25	4°	NC
<input type="checkbox"/>	125CN45	8°	NC

WHEEL LOCK

<input type="checkbox"/>	125WL1	High Mount Push	NC
<input type="checkbox"/>	125WL2	High Mount Pull	NC
<input type="checkbox"/>	125WL27	Ergo Scissor	NC
<input type="checkbox"/>	125WL30	Compact (Scissor)	\$125.00
<input type="checkbox"/>	125WL5	High Mount Scissor	NC
		<i>Not recommended with 14" or 15" seat depths, wheel lock arm does not recess completely under frame.</i>	
<input type="checkbox"/>	125WL10	Omit Wheel Lock	NC
<input type="checkbox"/>	125WL12	Do Not Mount	NC

REAR ANTI-TIP

<input type="checkbox"/>	125AT1	E0971 Rear Anti-Tip	\$135.00
<input type="checkbox"/>		Omit Rear Anti-Tip	NC

BACKPACK

<input type="checkbox"/>	125A1	Black Utility Backpack	\$55.00
<input type="checkbox"/>	125A2	Black/Charcoal Kids	\$50.00

SEAT POUCH

<input type="checkbox"/>	125A8	Black	\$45.00
--------------------------	-------	-------	---------

SPOKE GUARD

<input type="checkbox"/>	125A23	K0065 Black	\$115.00
		<i>NA w/ Spinergy wheels</i>	
<input type="checkbox"/>	125A24	K0065 Clear	\$115.00
		<i>NA w/ Spinergy wheels</i>	

SIDE GUARD

<input type="checkbox"/>	125SG3	K0108 Plastic Regular	\$125.00
<input type="checkbox"/>	125SG4	K0108 Plastic Kids	\$125.00
<input type="checkbox"/>	125SG15	K0108 Aluminum	\$300.00
<input type="checkbox"/>	125SG13	K0108 Aluminum with Fender	\$355.00

MISCELLANEOUS

<input type="checkbox"/>	125A85	Bolt-On Push Handles	\$115.00
<input type="checkbox"/>	125A82	Caddy	\$45.00
<input type="checkbox"/>	125A136	Optional Rear Seat Tube Strut	\$65.00

Section A

Quickie Ti Titanium Standard Chair Weights

		Width					
		13	14	15	16	17	18
Depth	14	16.38	16.51	16.64	16.77	16.90	17.03
	15	16.51	16.64	16.77	16.90	17.03	17.16
	16	16.64	16.77	16.90	17.03	17.16	17.29
	17	16.77	16.90	17.03	17.16	17.29	17.42
	18	16.90	17.03	17.16	17.29	17.42	17.55
	19	17.03	17.16	17.29	17.42	17.55	17.68

Standard chair weight includes:
 Tubular footrest w/o plate
 Small fork
 4" casters
 24" high pressure clinchers
 Fixed titanium backrest
 Backrest upholstery
 Seat sling w/hdwr, seat rails
 Medium axle plate

Section B

Quickie Ti Titanium Component Weights

Components	Weights Lbs	Components (cont.)	Weights Lbs
Standard Chair Weight (refer to section A chart)		Axles (Pair)	
Addition to Standard Weight		Steel	0.000
Subtraction from Standard Weight		Titanium	-0.100
Seating		Omit Axles	-0.500
No Cushion	0.000	Quad QR Axle Titanium	0.000
2" Cushion	1.261	Quad QR Axle Steel	0.150
Omit Seat Sling	-0.395	Handrims (Pair)	
Back Type		24" Aluminum Handrim Anodized	0.000
Titanium Non-ht folding	0.000	26" Aluminum Handrim Anodized	0.100
Titanium folding	0.123	24" Plastic Coat Handrim	1.100
Alum Ht Adj Back	0.817	26" Plastic Coat Handrim	1.350
Push-Handles (Pair)		Omit Handrims	-2.050
Bolt-On Push-Handles (Pair)	1.532	Wheel Locks (Pair)	
Fixed Height Fold-Down Push-Handles	1.685	High Mount Push Wheel Locks	0.640
Ht.-Adjustable Fold-Down Push-Handles	1.685	High Mount Pull Wheel Locks	0.640
Integral Push-Handles	0.750	High Mount Scissors	0.680
Back Upholstery		Wheel Lock Clamps (Pair)	
Standard Back Upholstery	0.000	Short Clamp	0.280
Adjustable Back Upholstery	1.350	Long Clamp	0.600
Omit Back Upholstery	-0.87	Rear Wheels (Pair) w/Aluminum Handrim	
Armrest (Pair)		24" QP Basketball	-0.050
Armrest	2.600	24" QP Heat Treated Basketball	-0.050
Footrest		24" QP Heat Treated Tennis (32h)	-0.230
Tubular with leg strap	0.000	24" QP Heat Treated Tennis (36h)	-0.200
Platform Footrest (12w)	1.075	24" QP Tennis	-0.050
Flared (12W)	0.211	24" Spinerger (540)	-0.750
Flat Cover (12W)	0.114	24" Spinerger (559)	-0.550
Omit Leg Strap	-0.145	24" Spoke	0.000
Adaptive Platform Spacers (Pair)		26" QP Heat Treated Tennis (36h)	1.350
2" Spacer	0.162	26" QP Tennis (36h)	1.350
4" Spacer	0.344	26" QP Basketball	1.450
6" Spacer	0.508	26" QP Heat Treated Basketball	1.450
Caster Wheels (Pair)		26" Spoke Wheel	0.450
3" Micro	-0.04	26" Spinerger (590)	-0.190
3" Micro Lighted	-0.04	Accessories	
4" Composite	0.000	BackPack Adult	0.450
4" Micro Lighted	0.330	BackPack Kids	0.250
5" Composite	0.340	Seat Pouch	0.200
5" Soft Roll Tire	1.410	Spoke Guard	1.700
Axle Plates (Pair)		Rear Anti-Tips (Pair)	0.944
Small (14" - 15" rear seat height)	-0.318	Caddy	0.500
Medium (16" - 17" rear seat height)	0.000	Side Guards (Pair)	
Large (18" - 19" rear seat height)	0.140	Fabric Side Guard Kids	0.200
Total Weights(total weights from above)		Fabric Side Guard Regular	0.250
To determine chair weight, add weights from section A and B		Plastic Side Guard Regular	1.840
Please note: that the following weights are approximations only. There can be a variance of +/- .5lbs.		Plastic Side Guard Kids	1.550
		Total Weights(total weights from above)	
			Total Weights