



# PARTS MANUAL

FEBRUARY 2008

Sunrise Medical appreciates your business. For your ordering convenience, our Customer Service Representatives can be contacted at:

**To place orders:  
(800)333-4000**

**Quickie Technical Assistance:**

You can reach our Technical Support Team by choosing prompt 1 followed by the # sign, then prompt 2 for Technical Support. Choose option 1 for Quickie Technical Support.

**For Assistance with a Web Order,  
or to sign up for [sunrisemedical.com](http://sunrisemedical.com)  
(800) 333-4000 Option 5**

**FOR YOUR CONVENIENCE YOU MAY PLACE ORDERS THROUGH  
OUR WEBSITE OR BY FAX 24 HOURS A DAY:**

**[www.sunrisemedical.com](http://www.sunrisemedical.com)**

**Fax: (800)300-7502**

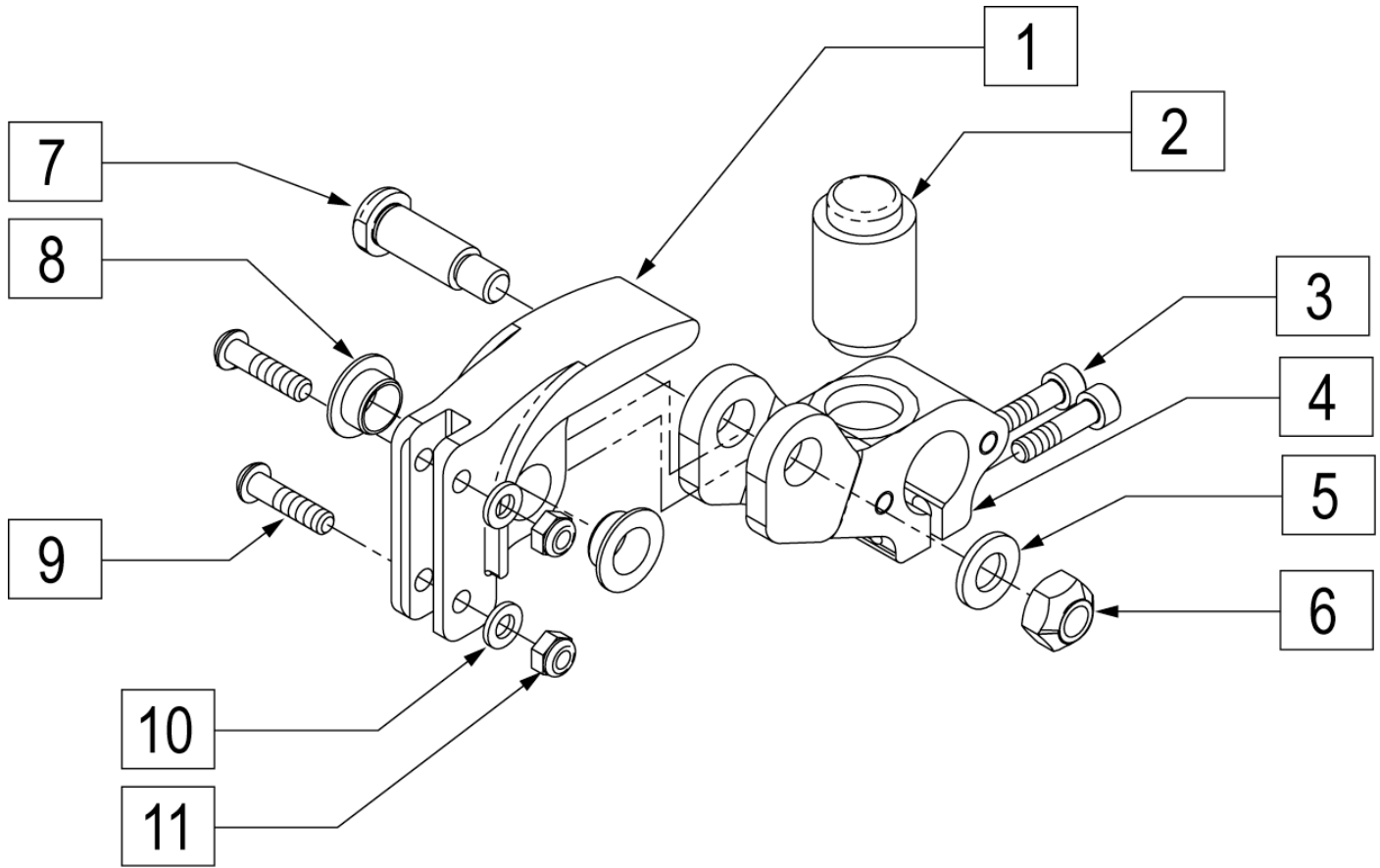
For easy reference please fill in your Customer Number and Sunrise Account Manager's name.

Customer Account Number \_\_\_\_\_  
Ship to Account Number \_\_\_\_\_  
Sunrise Account Manager \_\_\_\_\_

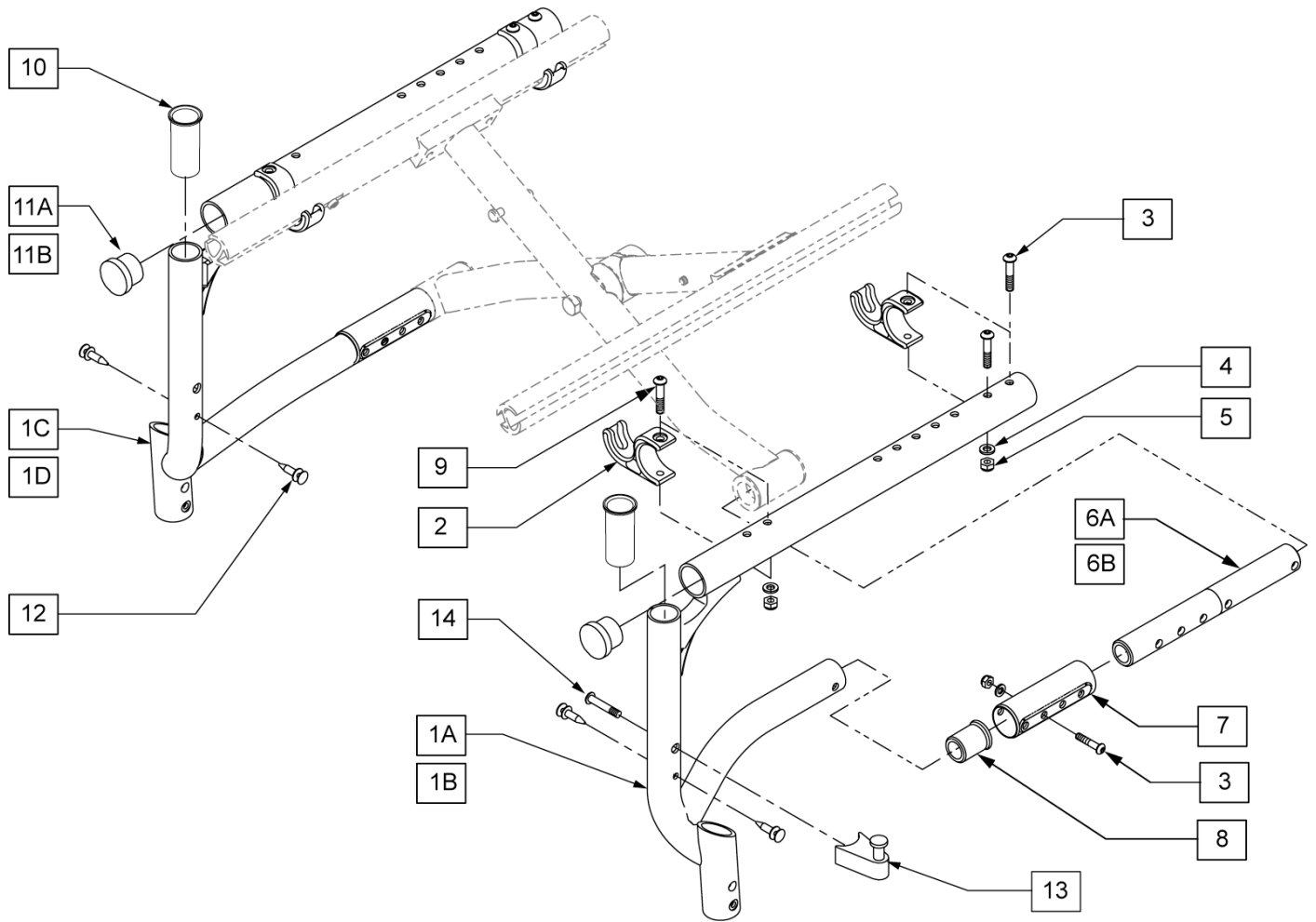
\*Part prices and configurations or specifications of products included in this Parts Manual are subject to change without prior notice.

QUICKIE GTX .....	5
BASE FRAME .....	5
FRAME .....	5
REAR SUSPENSION .....	5
SWING AWAY FRAME .....	6
SWING AWAY HEMI FRAME .....	8
FIXED FRONT FRAME .....	10
X BRACE ASSEMBLY .....	11
AXLE PLATES & AXLES .....	12
BIG BUTTON AXLE .....	13
AXLE PLATE AND EXTENSION ASSM .....	14
CASTERS & FORKS .....	14
CASTER LOCK PIN .....	15
CASTERS .....	16
FROG LEG ASSEMBLY .....	17
FORK ASSM .....	18
ANTI-TIPS .....	19
ANTI TIP .....	20
SWING-AWAY ANTI TIP .....	21
WHEEL LOCKS .....	22
ERGO WHEEL LOCK .....	23
WHEEL LOCK (PULL-TO-LOCK) .....	24
WHEEL LOCK (PUSH-TO-LOCK) .....	25
COMPACT WHEEL LOCK .....	26
UNILATERAL WHEEL LOCK .....	28
WHEELS .....	29
ULTRALITE WHEEL .....	30
SEATING & POSITIONING .....	30
SEAT .....	30
SEAT CUSHIONS .....	30
STANDARD SEAT CUSHION .....	31
SEAT SLING/PAN .....	32
SEAT SLING .....	33
BACK .....	34
BACK FRAME .....	34
BACKREST STABILIZER BAR .....	35
FOLDING PUSH HANDLES - HEIGHT ADJ .....	36
NON- FOLDING BACKREST HARDWARE .....	37
FOLDING BACKREST HARDWARE .....	39
INTEGRAL PUSH HANDLE BACKREST .....	41
BACK UPHOLSTERY .....	42
VENTED BACK .....	43
STANDARD BACK UPHOLSTERY .....	45
ADJUSTABLE BACK UPHOLSTERY .....	47
FOLDING PUSH HANDLE BACKREST UPHOLSTERY .....	48
JAY PRECISION BACKREST .....	50
HANGERS .....	52
HANGERS .....	52
60 DEG HANGER - SWING IN-OUT .....	53
70 DEG HANGER - SWING IN-OUT .....	54
70 DEG 'V' HANGER - SWING IN-OUT .....	55
70 DEG HEMI HANGER - SWING IN-OUT .....	56
70 DEG FRONT MOUNT HANGER SWING IN-OUT .....	57
80 DEG FRONT MOUNT HANGER SWING IN-OUT .....	58
90 DEG FRONT MOUNT HANGER SWING IN-OUT .....	59
HEMI ELEVATING LEGREST .....	60
KIDS ARTICULATING LEGREST .....	62
ELEVATING LEGREST .....	64
90 DEG KIDS ELR .....	66
ARTICULATING LEGREST .....	68
EXT TUBES .....	69
HIGH MOUNT EXTENSION TUBE .....	70
FOOTPLATES .....	70
TUBULAR SIDE LATCH FOOTREST ASSM .....	71
AUTOFOLD FOOTREST ASSM - CHANNEL .....	73
HIGH MOUNT FLIP UP FOOTREST .....	74
PLATFORM FOOTREST .....	76
SPLIT FOOTREST ASSM .....	77
PLATFORM FLIP-UP FOOTPLATE SWING AWAY FRONT .....	79
COMPOSITE FOOTPLATE .....	81

ALUMINUM FOOTPLATE .....	83
FOAM FOOTPLATE .....	84
ADULT ANGLE-ADJUSTABLE FOOTPLATE EXT MOUNT .....	85
ADULT ANGLE-ADJ FOOTPLATE FRONT MOUNT .....	87
KIDS ANGLE ADJ FOOTPLATE 70 80 90 FRONT DRILLED .....	89
DOUBLE D FOOTREST EXTENSION TUBE .....	91
ARMRESTS & RECEIVERS .....	92
ARMRESTS .....	92
SWING AWAY ARMREST-ANGLE ADJUST .....	93
3-POINT HEIGHT ADJUSTABLE ARMREST .....	95
SINGLE POST HT ADJUSTABLE ARMREST .....	96
ARMREST RECEIVERS .....	98
PADDED SWING-AWAY ARMREST & RECEIVER .....	99
HEIGHT ADJUSTABLE ARMREST RECEIVER .....	100
ACCESSORIES .....	100
EXTENDER .....	100
XTENDER POWER DRIVE ASSM .....	101
XTENDER ASSM KIT .....	102
SIDE GUARDS .....	102
SIDE GUARD ALUM - PLATE MOUNT .....	103
SIDE GUARD ALUM - SEAT RAIL MOUNT .....	104
PLASTIC SIDE GUARD .....	105
FABRIC SIDE GUARDS .....	106
FABRIC SIDE GUARD .....	107
SPOKE GUARD .....	108
POSITIONING BELTS .....	109
CASE LOGIC BAGS .....	110
TOOL KIT .....	111
CRUTCH HOLDER ASSM .....	112
TRAVEL WHEEL .....	113
back .....	115

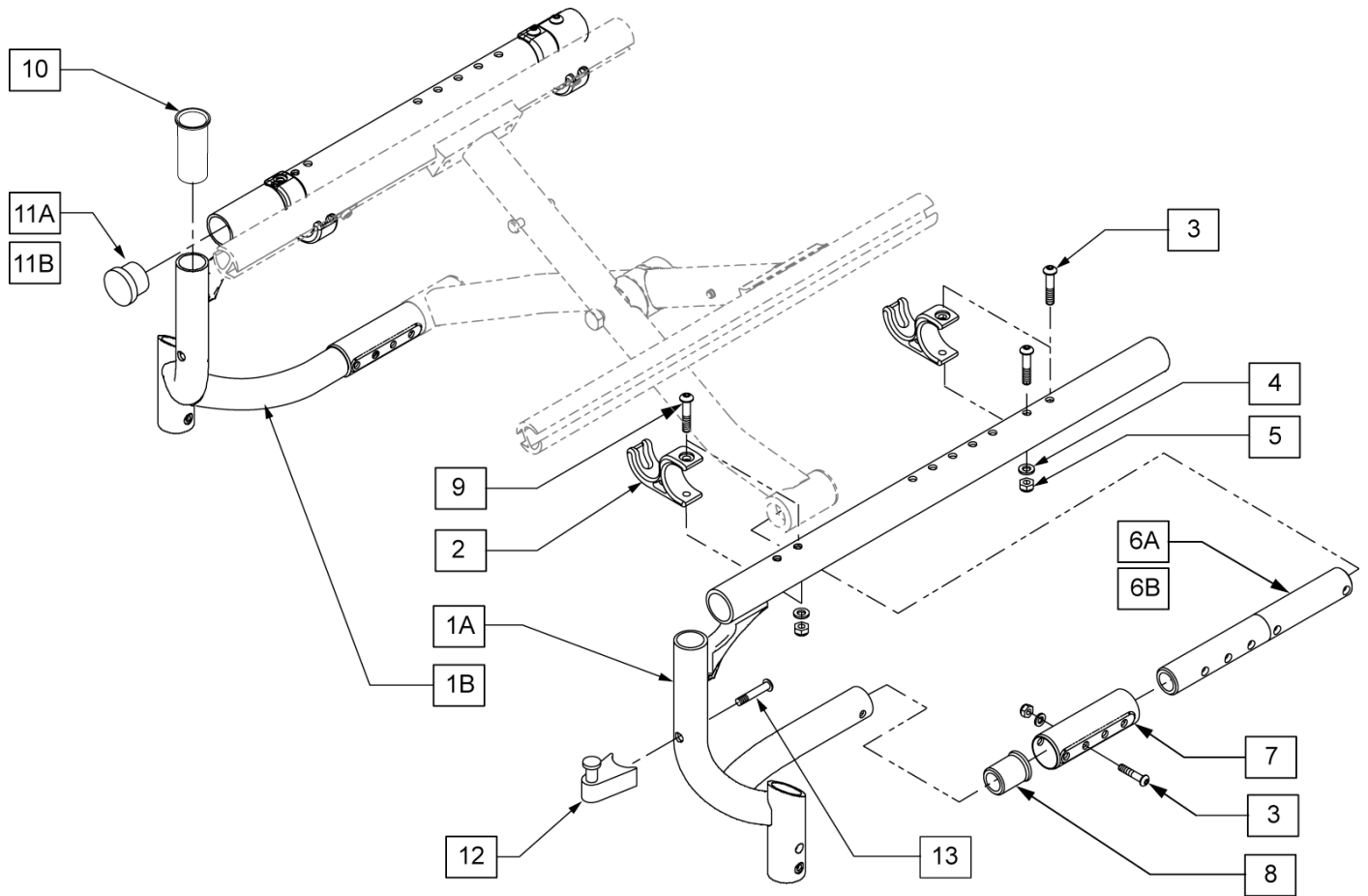


Pos.	Item Number	Description	Remarks
1	052180	EXTENSION AXLE PLT SUSPENSION	
2	050098-001	ELASTOMER SUSPENSION 55A	
2	050098-002	ELASTOMER SUSPENSION 65A	
2	050098-003	ELASTOMER SUSPENSION 75A	
3	013157	SHCS M6 X 1 X 25 BLK W/PL	
4	052181	CLAMP PIVOT SUSPENSION	
5	101432	WASHER FLAT M10	
6	101429	NUT STOVER M10	
7	052182	PIN PIVOT SUSPENSION	
8	101433	BEARING IGUS FLG .500 X .312	
9	230043	BHCS M6 X 25MM	
10	250104	WASHER FLAT M6	
11	200113	NUT HEX NYLOCK M6 X 1	
1,8	101435	ASSY AXLE PLATE EXT SUSP	
1-11	101436-001	ASSY SUSPENSION R 0-100LB	
1-11	101436-002	ASSY SUSPENSION R 101-190LB	
1-11	101436-003	ASSY SUSPENSION R 191-250LB	
1-11	101437-001	ASSY SUSPENSION L 0-100LB	
1-11	101437-002	ASSY SUSPENSION L 101-190LB	
1-11	101437-003	ASSY SUSPENSION L 191-250LB	



Pos.	Item Number	Description	Remarks
2	052032	SADDLE SEAT TUBE	
3	013252	BHCS M6 X 1 X 35 BLK	
4	250104	WASHER FLAT M6	
5	200113	NUT HEX NYLOCK M6 X 1	
6A	052159-001	TUBE FRAME TELESCOPE SHT	12 -14" SEAT DEPTH
6B	052159-002	TUBE FRAME TELESCOPE LNG	15 -22" SEAT DEPTH
7	054120	COVER TELESCOPE TUBE	
8	054108	BUSHING LOWER FRAME	
9	230118	BHCS M6 X 1 X 45 BLK	
10	054222	BUSHING FOOTREST QUICKIE	
11A	562761	1" PLUG UNIVERSAL STYLE	
11B	561062	1" INSERT PLUG .065 RIBS	
12	012159	FASTENER 5 MM PLASTIC EXPANDNG	
13	881691	S/A LATCH BLCK PRSD ASSM BLK	
14	226190	5/16-18 X 1 3/4 BH C/S SHLDR	
1A,8,10, 11A,12	103725	FRM GTX 12-14" LEFT	12 -14" SEAT DEPTH
1A,8,10, 11A,12	103726	FRM GTX 15-16" LEFT	15 -16" SEAT DEPTH
1A,8,10, 11A,12	103727	FRM GTX 17-18" LEFT	17 -18" SEAT DEPTH
1A,8,10, 11A,12	103810	FRM GTX 19 -20" LEFT	19 -20" SEAT DEPTH
1B,8,10, 11B,12	103815	FRM GTX HD 16" LEFT	16" SEAT DEPTH
1B,8,10, 11B,12	103816	FRM GTX HD 17-18" LEFT	17 -18" SEAT DEPTH
1B,8,10, 11B,12	103817	FRM GTX HD 19-20" LEFT	19 -20" SEAT DEPTH

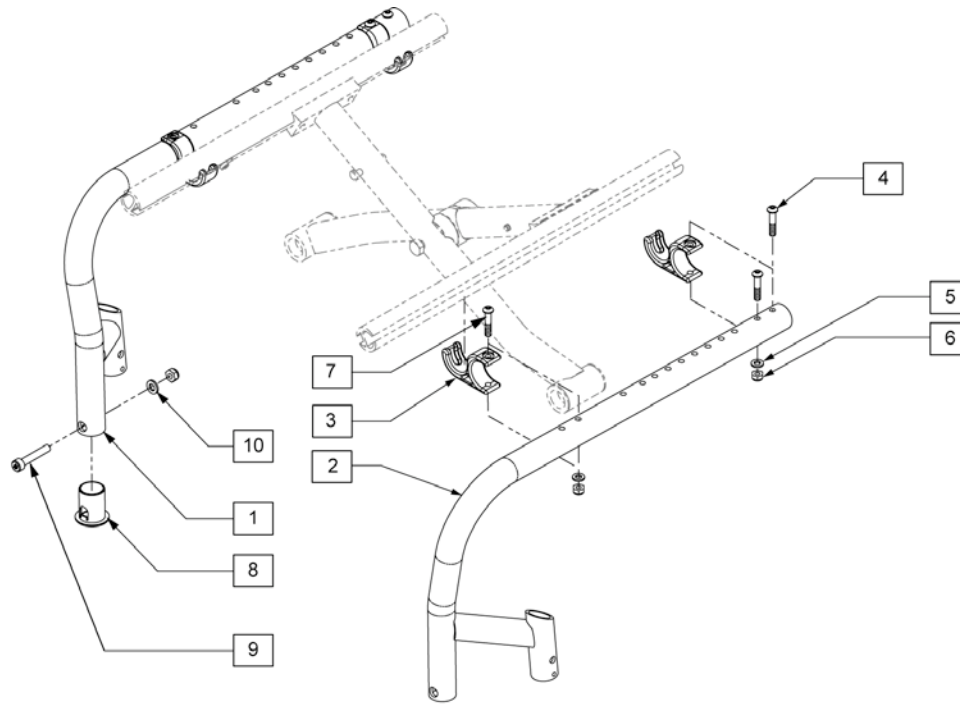
<b>Pos.</b>	<b>Item Number</b>	<b>Description</b>	<b>Remarks</b>
1B,8,10, 11B,12	103818	FRM GTX HD 21-22" LEFT	21 -22" SEAT DEPTH
1C,8,10, 11A,12	103819	FRM GTX 12 -14" RIGHT	12 -14" SEAT DEPTH
1C,8,10, 11A,12	103820	FRM GTX 15 -16" RIGHT	15 -16" SEAT DEPTH
1C,8,10, 11A,12	103821	FRM GTX 17 -18" RIGHT	17 -18" SEAT DEPTH
1C,8,10, 11A,12	103822	FRM GTX 19 -20" RIGHT	19 -20" SEAT DEPTH
1D,8,10, 11B,12	103823	FRM GTX HD 16" RIGHT	16" SEAT DEPTH
1D,8,10, 11B,12	103824	FRM GTX HD 17-18" RIGHT	17 -18" SEAT DEPTH
1D,8,10, 11B,12	103825	FRM GTX HD 19-20" RIGHT	19 -20" SEAT DEPTH
1D,8,10, 11B,12	103826	FRM GTX HD 21-22" RIGHT	21 -22" SEAT DEPTH



Pos.	Item Number	Description	Remarks
2	052032	SADDLE SEAT TUBE	
3	013252	BHCS M6 X 1 X 35 BLK	
4	250104	WASHER FLAT M6	
5	200113	NUT HEX NYLOCK M6 X 1	
6A	052159-001	TUBE FRAME TELESCOPE SHT	12 -14" SEAT DEPTH
6B	052159-002	TUBE FRAME TELESCOPE LNG	15 -20" SEAT DEPTH
7	054120	COVER TELESCOPE TUBE	
8	054108	BUSHING LOWER FRAME	
9	230118	BHCS M6 X 1 X 45 BLK	
10	054222	BUSHING FOOTREST QUICKIE	
11A	562761	1" PLUG UNIVERSAL STYLE	STD ONLY
11B	561062	1" INSERT PLUG .065 RIBS	HD ONLY
12	012159	FASTENER 5 MM PLASTIC EXPANDNG	
13	881691	S/A LATCH BLCK PRSD ASSM BLK	
14	226190	5/16-18 X 1 3/4 BH C/S SHLDR	
1A,8,10, 11A,12	103827	FRM GTX HEMI 12"-14" L	12 -14" SEAT DEPTH
1A,8,10, 11A,12	103828	FRM GTX HEMI 15"-16" L	15 -16" SEAT DEPTH
1A,8,10, 11A,12	103829	FRM GTX HEMI 17"-18" L	17 -18" SEAT DEPTH
1B,8,10, 11B,12	103830	FRM GTX HD HEMI 12"-14" L	19 -20" SEAT DEPTH
1B,8,10, 11B,12	103831	FRM GTX HD HEMI 16" L	16" SEAT DEPTH
1B,8,10, 11B,12	103832	FRM GTX HD HEMI 17"-18" L	17 -18" SEAT DEPTH
1B,8,10, 11B,12	103833	FRM GTX HD HEMI 19"-20" L	19 -20" SEAT DEPTH
1B,8,10, 11B,12	103834	FRM GTX HD HEMI 21"-22" L	21 -22" SEAT DEPTH



<b>Pos.</b>	<b>Item Number</b>	<b>Description</b>	<b>Remarks</b>
1C,8,10, 11A,12	103835	FRM GTX HEMI 12"-14" R	12 -14" SEAT DEPTH
1C,8,10, 11A,12	103836	FRM GTX HEMI 15"-16" R	15 -16" SEAT DEPTH
1C,8,10, 11A,12	103837	FRM GTX HEMI 17"-18" R	17 -18" SEAT DEPTH
1D,8,10, 11B,12	103838	FRM GTX HEMI 19"-20" R	19 -20" SEAT DEPTH
1D,8,10, 11B,12	103839	FRM GTX HD HEMI 16" R	16" SEAT DEPTH
1D,8,10, 11B,12	103840	FRM GTX HD HEMI 17"-18" R	17 -18" SEAT DEPTH
1D,8,10, 11B,12	103841	FRM GTX HD HEMI 19"-20" R	19 -20" SEAT DEPTH
1D,8,10, 11B,12	103842	FRM GTX HD HEMI 21"-22" R	21 -22" SEAT DEPTH

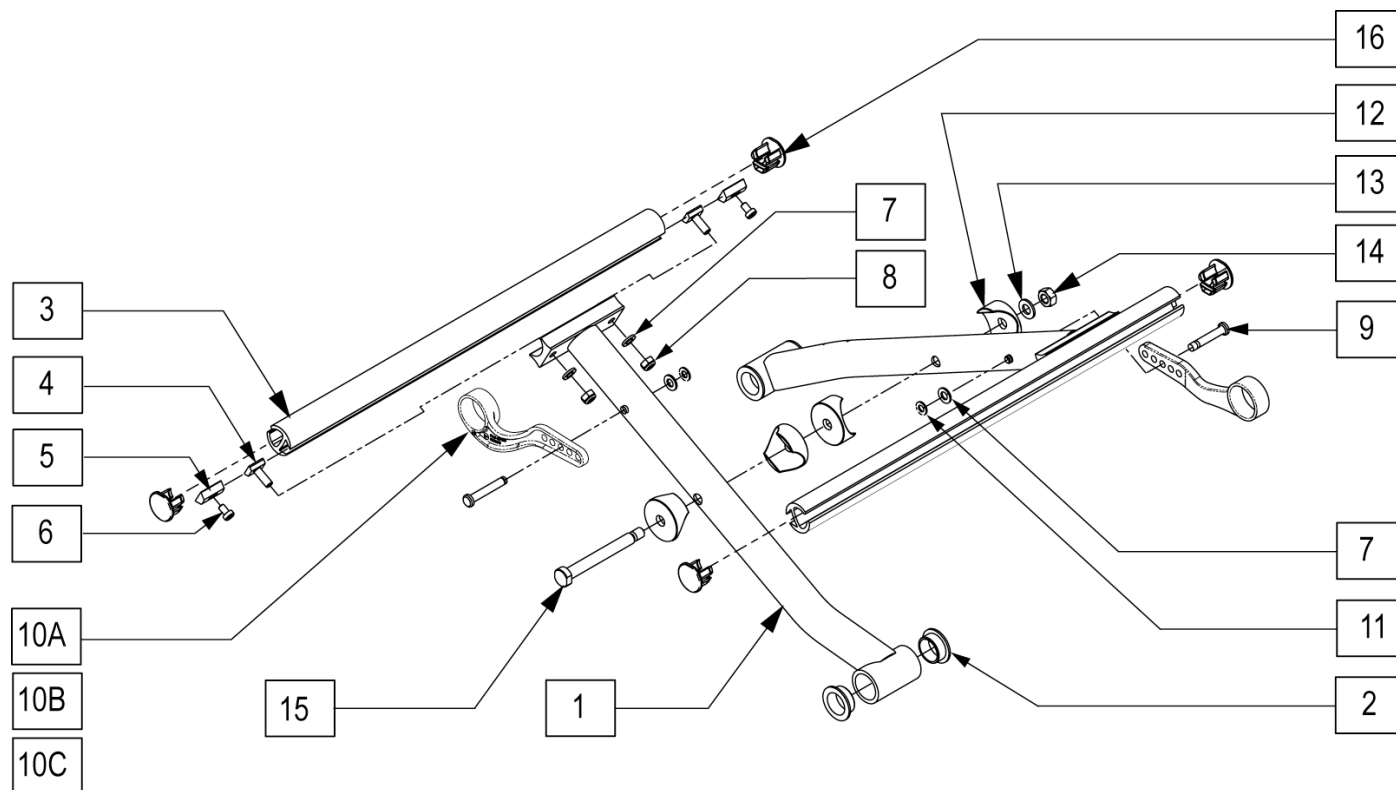


Pos.	Item Number	Description	Remarks
1	052285	FRM ALUM FLDR R	
2	052286	FRM ALUM FLDR L	
3	052032	SADDLE SEAT TUBE	
4	013252	BHCS M6 X 1 X 35 BLK	
5	250104	WASHER FLAT M6	
6	200113	NUT HEX NYLOCK M6x1	
7	230118	BHCS M6 X 1 X 45 BLK	
8	052010	BUSHING FOOTREST	
9	100846	SHCS M6 X 1 X 30 BLK	
10	262130	6MM WASHER WAVE	

**X BRACE ASSEMBLY**

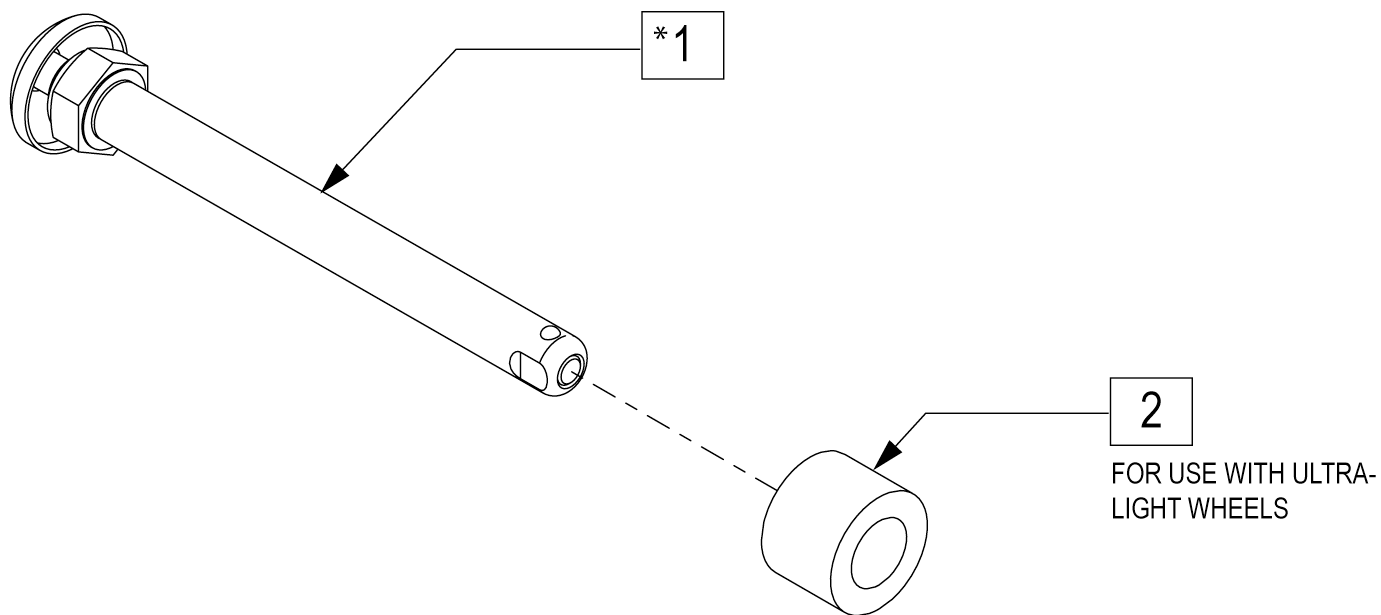
[02/2008]

**NOTE:** ITEM #101191, SEAT SLING TUBE HDWR KIT GTX, INCLUDES HARDWARE FOR (1) SIDE ONLY.



Pos.	Item Number	Description	Remarks
2	052056	FLANGE BEARING .75ID X .875OD	
3	052029-001	TUBE SEAT SLING 12D BLK	
3	052029-002	TUBE SEAT SLING 13D BLK	
3	052029-003	TUBE SEAT SLING 14D BLK	
3	052029-004	TUBE SEAT SLING 15D BLK	
3	052029-005	TUBE SEAT SLING 16D BLK	
3	052029-006	TUBE SEAT SLING 17D BLK	
3	052029-007	TUBE SEAT SLING 18D BLK	
3	052029-008	TUBE SEAT SLING 19D BLK	
3	052029-009	TUBE SEAT SLING 20D BLK	
3	052029-010	TUBE SEAT SLING 21D BLK	
3	052029-011	TUBE SEAT SLING 22D BLK	
4	052123-001	CHANNEL STUD M6 X 17	
5	052118	DOVETAIL RADIUS M5	
6	100547	SHCS M5 X 8 LOW HEAD BLK	
7	250104	WASHER FLAT M6	
8	200113	NUT HEX NYLOCK M6 X 1	
9	054313	X-BRACE PIN	
10A	052095-001	X HINGE 14 -16"	
10B	052095-002	X HINGE 12 -13"	
10C	052094	X HINGE 17 -20"	
11	342000	1/4" E-CLIP"	
12	054306	SADDLE D28-6	
13	011648	WASHER FLAT M8	

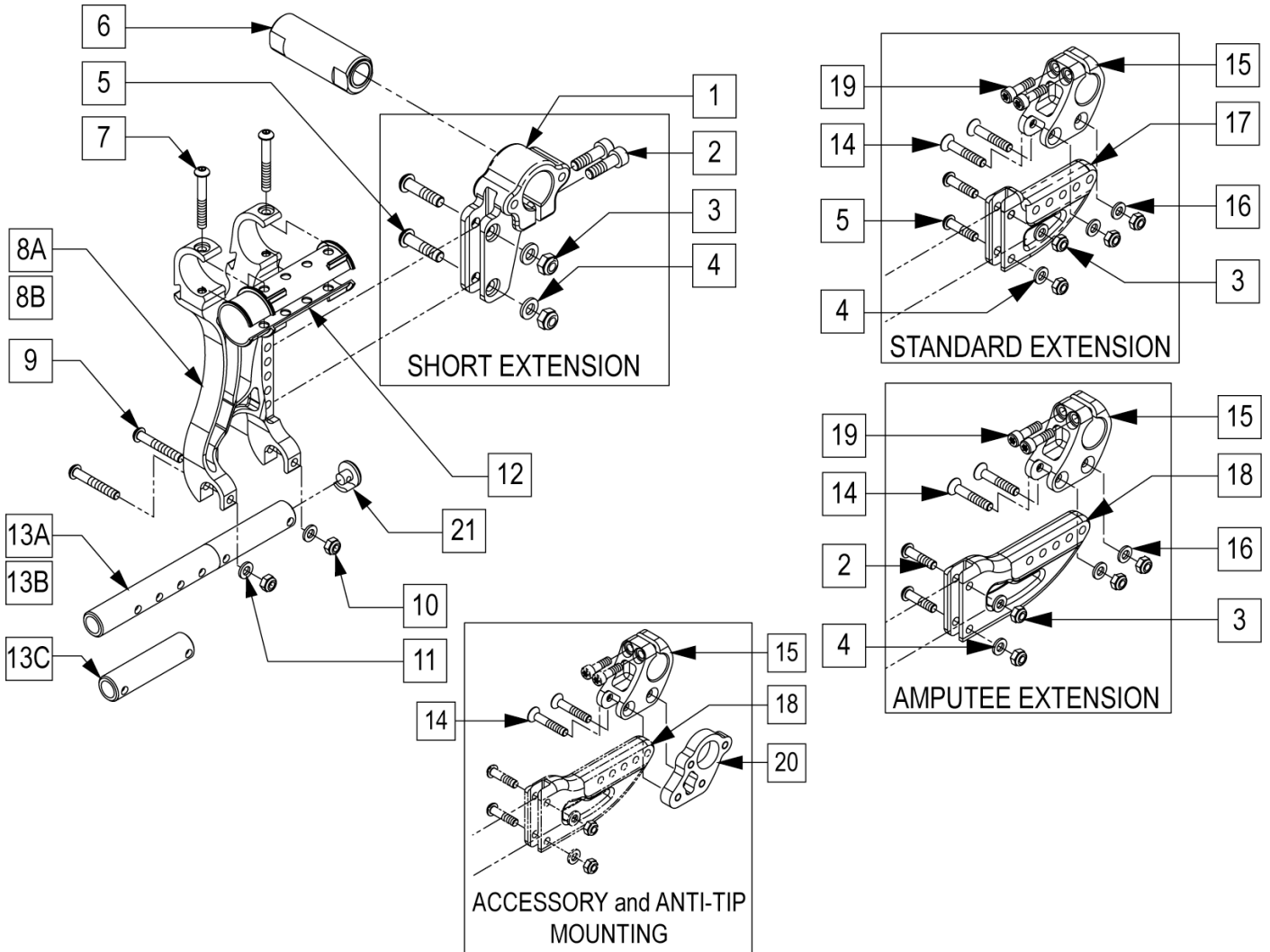
<b>Pos.</b>	<b>Item Number</b>	<b>Description</b>	<b>Remarks</b>
14	210072	M8 NYLOCK NUT	
15	054312	X BRACE AXLE	
16	054316	SEAT RAIL END PLUG	
1,2,7,9,10A-15	052416-001	GTX X-BRACE ASSM 12W	
1,2,7,9,10A-15	052416-002	GTX X-BRACE ASSM 13W	
1,2,7,9,10A-15	052416-003	GTX X-BRACE ASSM 14W	
1,2,7,9,10B-15	052416-004	GTX X-BRACE ASSM 15W	
1,2,7,9,10B-15	052416-005	GTX X-BRACE ASSM 16W	
1,2,7,9,10C-15	052416-006	GTX X-BRACE ASSM 17W	
1,2,7,9,10C-15	052416-007	GTX X-BRACE ASSM 18W	
1,2,7,9,10C-15	052416-008	GTX X-BRACE ASSM 19W	
1,2,7,9,10C-15	052416-009	GTX X-BRACE ASSM 20W	
4-8	101191	SEAT SLING TUBE HDWR KIT GTX	



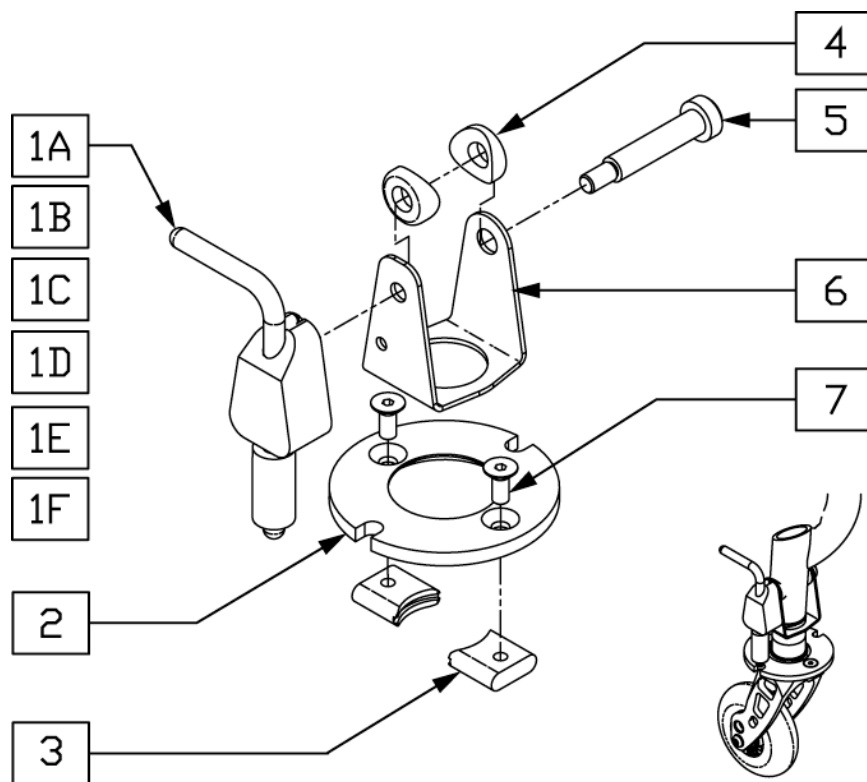
\* NOTE: 349069 USED IN COMBINATION WITH THE XTENDER AXLE PLATE AND 24" STD SPOKE WHEELS

Pos.	Item Number	Description	Remarks
1	052303	QR AXLE MAG SHT W/NUT	
1	052008	AXLE QUICK REL NUT SHORT	
1	052302	QR AXLE SPK SHT	
1	920912	AXLE QR TI SHORT W/NUT	
1	100793	AXLE QUICK REL ULTRALITE SHT	
1	349069	QR AXLE AND NUT CLEAR BIG BTTN	
2	100768-001	SPACER, AXLE 220DX X 12.7 IP X 12MM	

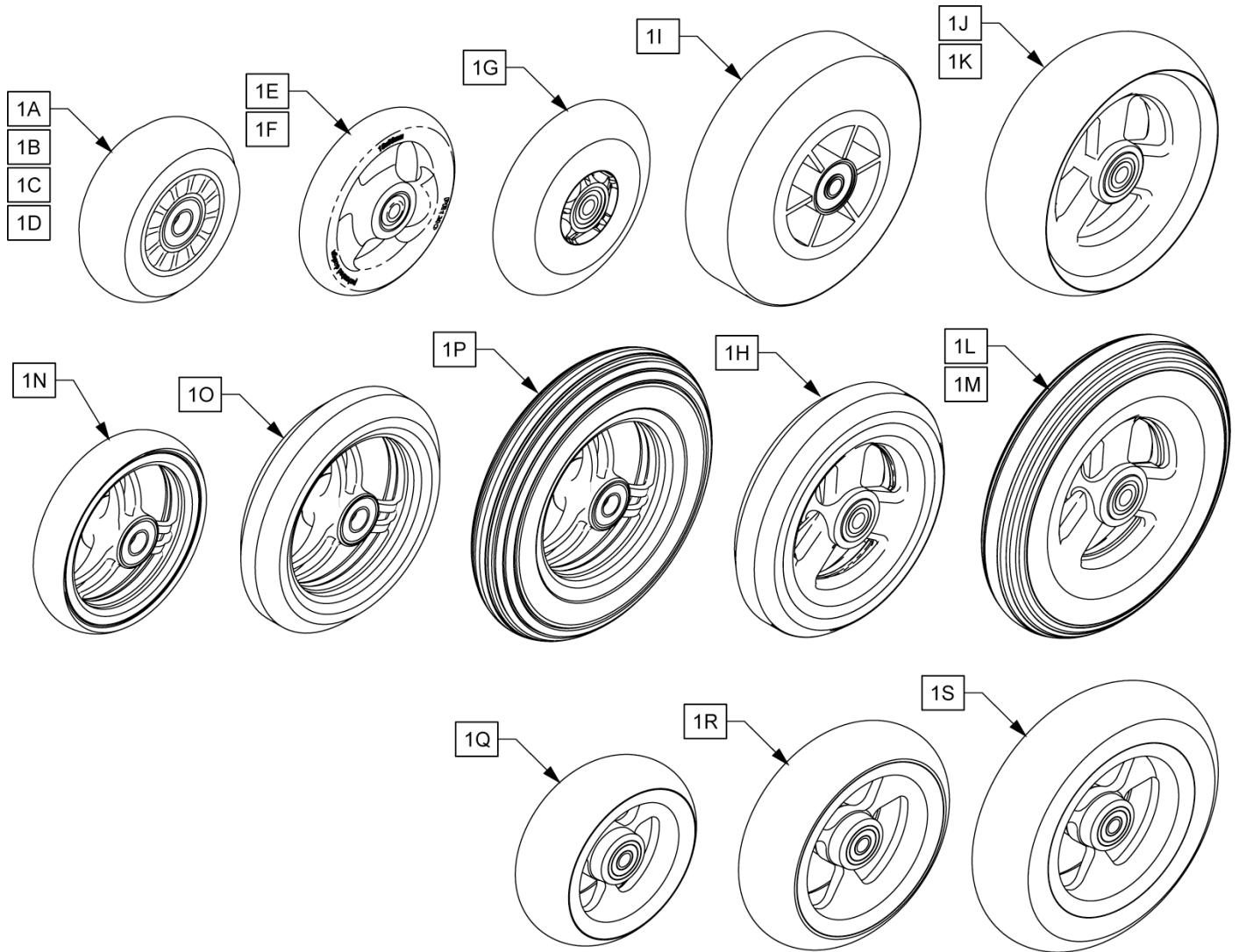
**AXLE PLATE AND EXTENSION ASSM**



Pos.	Item Number	Description	Remarks	Pos.	Item Number	Description	Remarks
1	052300	AXLE EXTENSION SHORT		11	250104	WASHER FLAT M6	
2	013157	SHCS M6X 1 X 25 BLK W/PL		12	052051	SPACER AXLE PLATE	
3	200113	NUT HEX NYLOCK M6 X 1		13A	052159-001	TUBE FRAME TELESCOPE SHT	
4	250104	WASHER FLAT M6		13C	052059	TUBE INNER LOWER PIVOT	
5	230043	BHCS M6 X 25MM		13B	052159-002	TUBE FRAME TELESCOPE LNG	
6	052058-001	ASSM AXLE SLEEVE SHORT 0 DEG		14	103500-010	FHCS M6 X 1 X 35 BLK FULL NP	
6	052058-002	ASSM AXLE SLEEVE SHORT 2 DEG		15	052122	CLAMP AXLE SLEEVE	
6	052058-003	ASSM AXLE SLEEVE SHORT 4 DEG		16	052158	WASHER CONE M6	
7	230118	BHCS M6 X 1 X 45 BLK		17	052413	EXTENSION AXLE PLATE MED	
8B	054516	AXLE PLATE, LEFT		18	052414	EXTENSION AXLE PLATE AMP	
8A	054515	AXLE PLATE, RIGHT		19	230011	SHCS M6 X 1 X 20MM BLK	
9	230117	BHCS M6 X 1 X 40 BLK		20	052151	PLATE ADAPTER ANTI TIP	
10	200113	NUT HEX NYLOCK M6 X 1		21	054114	COVER AXLE PLATE	

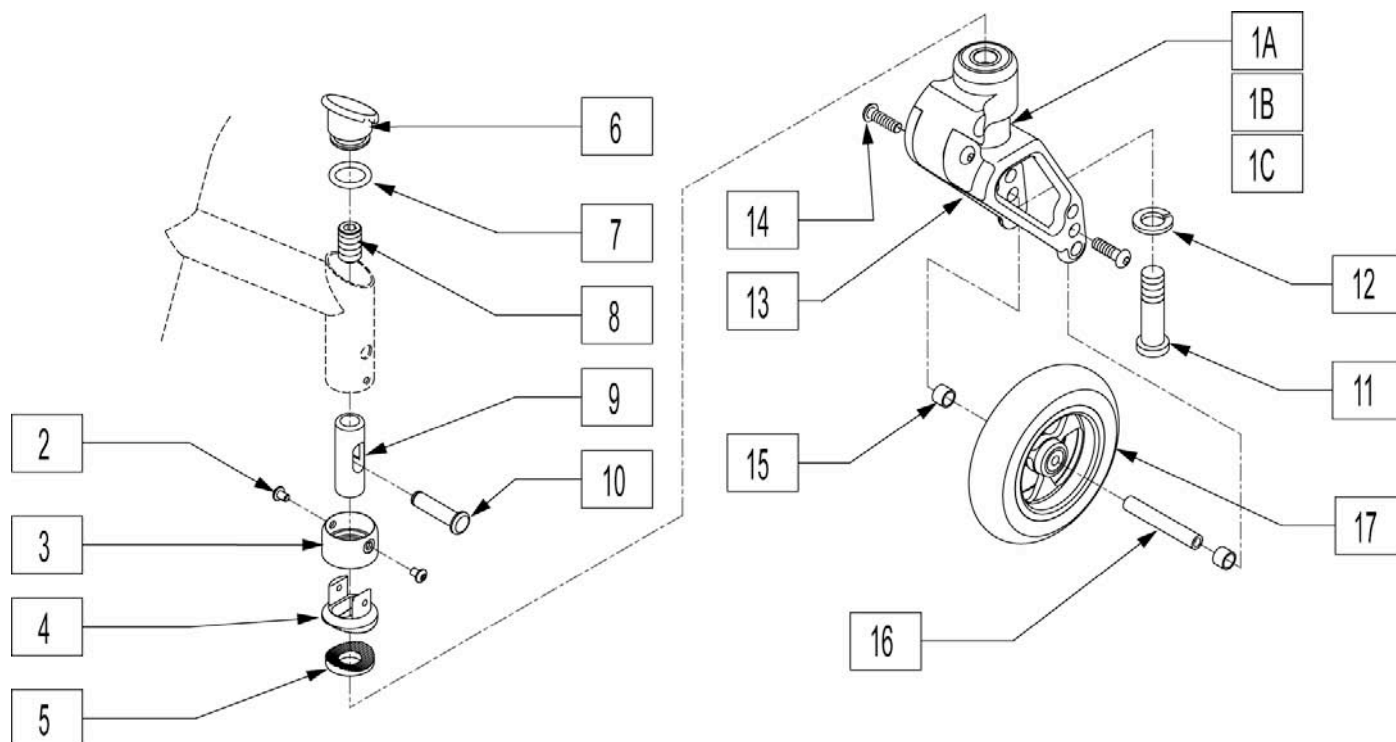


Pos.	Item Number	Description	Remarks
1A	052310-001	BLOCK ASSY CSTR PIN LCK R STD	
1B	052311-001	BLOCK ASSY CSTR PIN LCK L STD	
1C	052310-002	BLOCK ASSY CSTR PIN LCK R+.5	
1D	052311-002	BLOCK ASSY CSTR PIN LCK L +.5	
1E	052310-003	BLOCK ASSY CSTR PIN LOCK R+1	
1F	052311-003	BLOCK ASSY CSTR PIN LCK +1	
2	050047	PLATE CASTER LOCK ANG ADJ	
3	050050	KEY CASTER LOCK ANG ADJ	
4	050053	SADDLE 17.8MM OD 8MM HOLE	
5	050133	SHOULDER SCREW 8MMOD X 35MM LG	
6	052172	YOKE CASTER PIN LOCK	
7	230496	M5-12 FH C/S BLK	
1A,2-7	102149-001	ASSY CASTER PIN LOCK R STD	
1B,2-7	102149-002	ASSY CASTER PIN LOCK R +.5	
1C,2-7	102149-003	ASSY CASTER PIN LOCK R +1	
1D,2-7	102150-001	ASSY CASTER PIN LOCK L STD	
1E,2-7	102150-002	ASSY CASTER PIN LOCK L +.5	
1F,2-7	102150-003	ASSY CASTER PIN LOCK L +1	



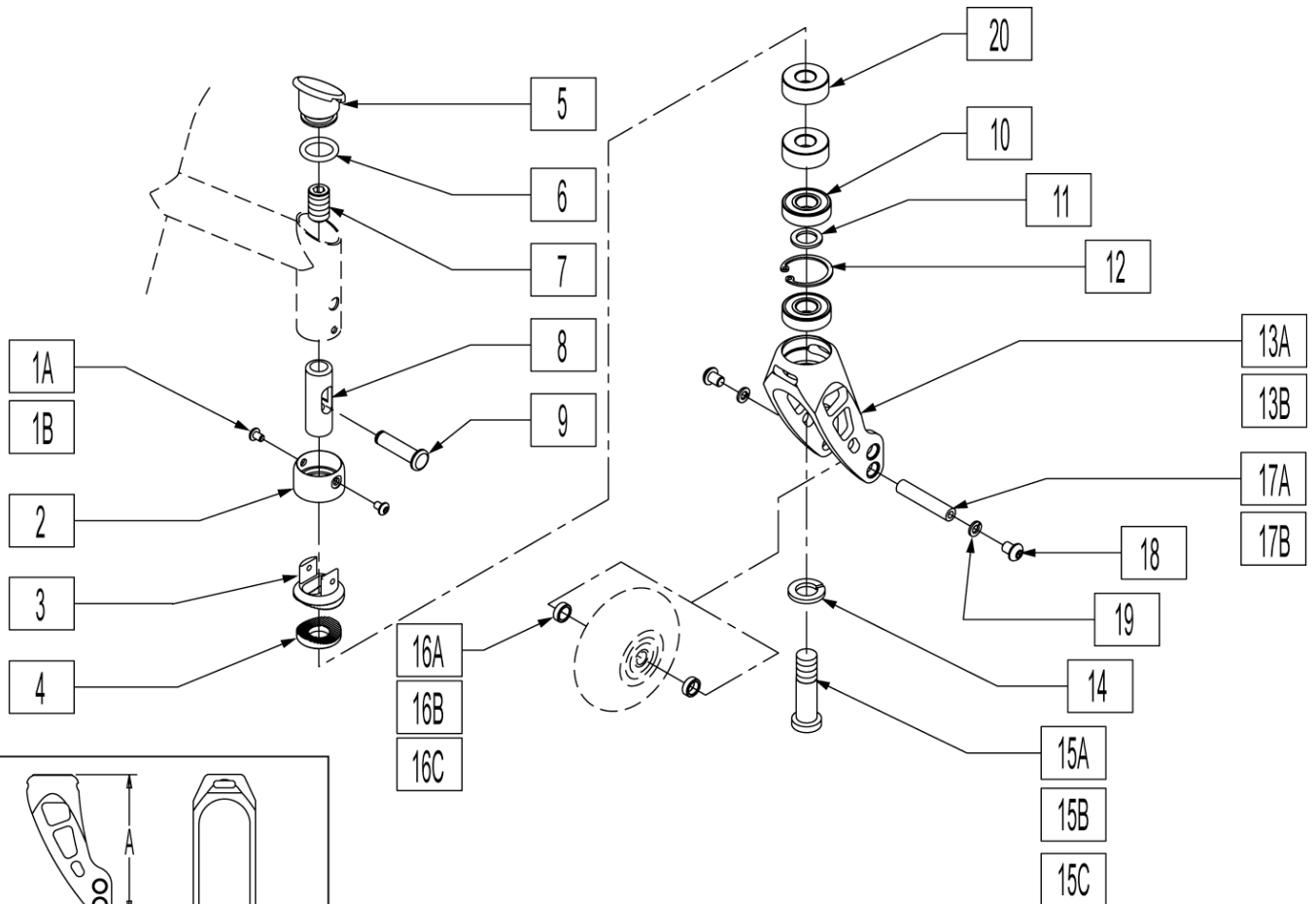
Pos.	Item Number	Description	Remarks	Pos.	Item Number	Description	Remarks
1A	920025	3" MICRO CASTER W/BRNG	Pair	1K	101255	6"X1-1/2" POLY 3 SPOKE CSTR	
1B	400107	3" MICRO CASTER LIGHTED		1L	101256	6" SEMI PNEU 3 SPOKE CASTER	
1C	920077	3" MICRO CASTER LIGHTED	Pair	1M	101257	6" PNEUMATIC 3 SPOKE CASTER	
1D	400108	4" MICRO CASTER LIGHTED		1N	101946-001	CASTR 4X1 ALUM/POLY W/BRG CLR	
1E	101957	4"X1-1/4 POLY 3 SPOKE CSTR		1P	101946-003	CASTR 6X1 ALUM/POLY W/BRG CLR	
1F	101098	CASTER 4" PLASTIC/POLY W/BRG		1O	101946-002	CASTR 5X1 ALUM/POLY W/BRG CLR	
1G	052129	5" MICRO CASTER LIGHTED		1Q	050157-004	WHL CSTR FROG LEGS 4X1.5 CLR	
1H	101254	5" LOW POLY 3 SPOKE CASTER		1R	050157-005	WHL CSTR FROG LEGS 5X1.5 CLR	
1I	400103	CASTER 5" SOFT ROLL W/BRNGS		1S	050157-006	WHL CSTR FROG LEGS 6X1.5 CLR	
1J	101259	5"X1-1/2" POLY 3 SPOKE CSTR					

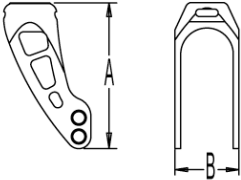




Pos.	Item Number	Description	Remarks
1A	050156-001	ELASTOMER FROGLEGS SOFT	
1C	050156-003	ELASTOMER FROGLEGS FIRM	
1B	050156-002	ELASTOMER FROGLEGS MEDIUM	
2	102257	BHCS M4 X .7 X 8 INORGANIC	
3	050039	CUP SPLINE ANG ADJ	
4	502050	SPLINE, CASTER, ANGLE ADJ, UPPER	
5	502051	SPLINE, CASTER, ANGLE ADJ, LOWER	
6	050087	CASTER CAP ANGLE ADJ	
7	050074	O-RING .625 ID X .125W	
8	050134	SET SCREW M12 X 20MM LG FLT PT	
9	050041	BARREL PIVOT ANG ADJ	
10	050040	PIN PIVOT ANG ADJ	
11	481398	SHCS, M12 x 1.75, ANGLE ADJ	
12	265161	WASHER LOCK M12	
17	050157-001	"WHL CSTR FROG LEGS 4" X 1.5"	
17	050157-002	"WHL CSTR FROG LEGS 5" X 1.5"	
17	050157-003	"WHL CSTR FROG LEGS 6" X 1.5"	
13-16	050155	FORK FROG LEGS INT BRNG	
1A,13-16	050225-001	FORK FROGLEGS INT BRNG SOFT	
1B,13-16	050225-002	FORK FROGLEGS INT BRNG MED	
1C,13-16	050225-003	FORK FROGLEGS INT BRNG FIRM	
2-12	050224	SPLINE CASTER HDWR KIT	

**NOTE:** PLEASE REFER TO THE ATTACHED MATRIX TO DETERMINE FRONT SEAT HEIGHT ON SWING-AWAY 'STANDARD' OR 'HEMI' FRAMES.





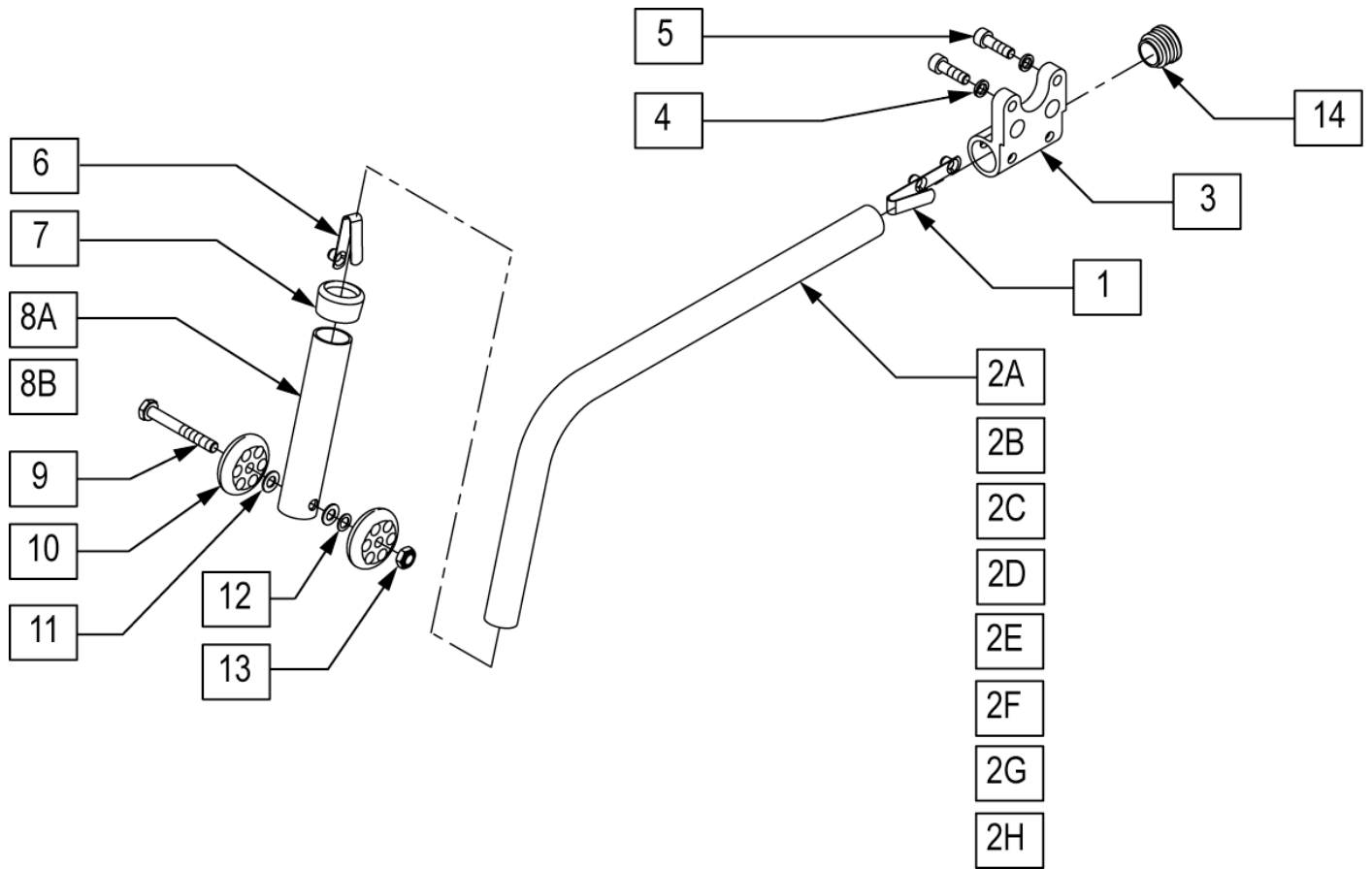
**FORK MEASURING GUIDE**

FORK	DIM A	DIM B	PART #
SHORT	3 7/8"	1 5/8"	922111
WIDE	4 7/8"	2 1/8"	050150

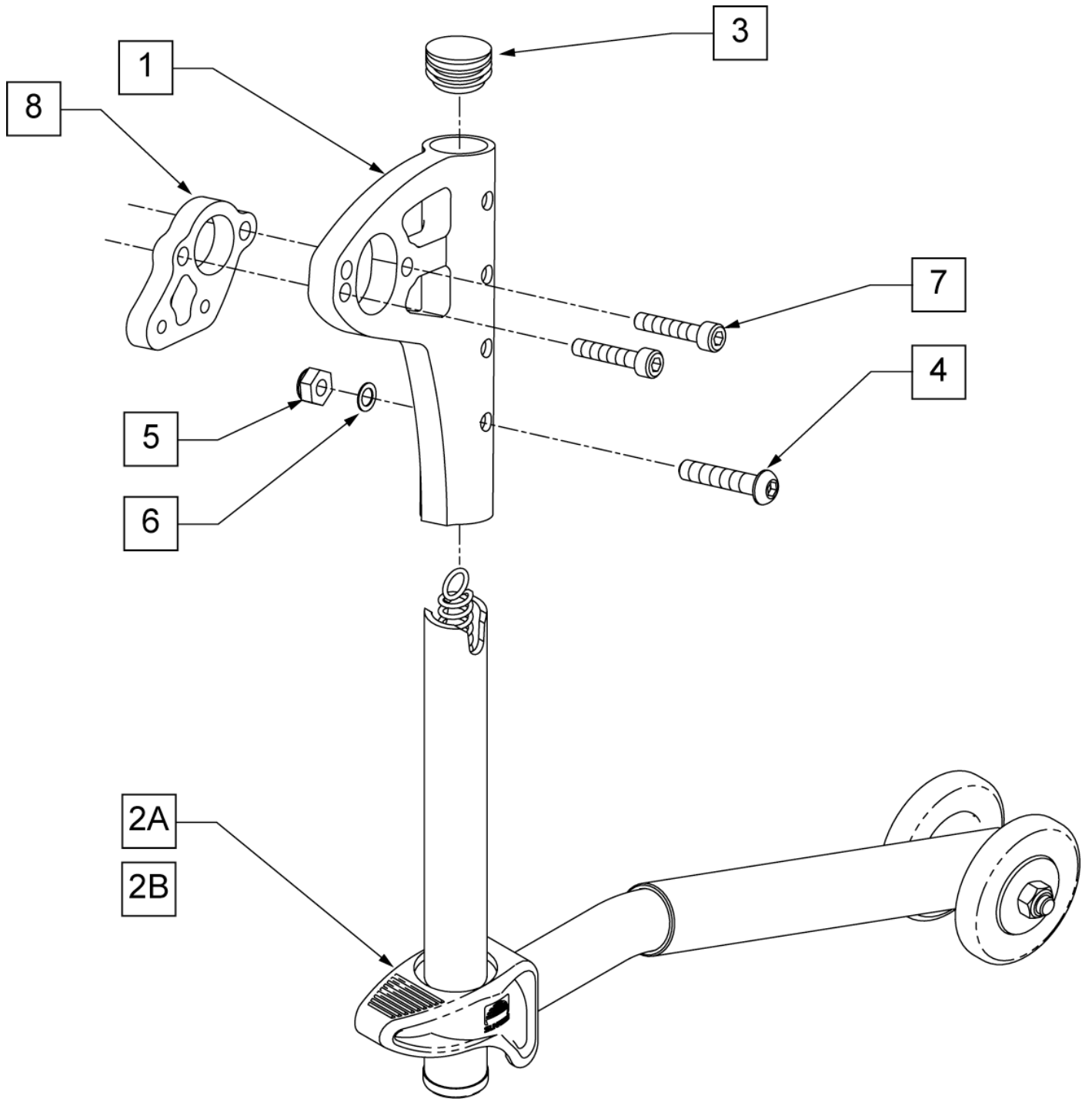
**NOTE:** ITEM 1A, 230459 IS USED WITH ITEM 3 ON THE FIXED FRONT CHAIR.  
 ITEM 1B, 230110 IS USED WITHOUT ITEM 3 ON THE SWING-AWAY CHAIR.

Pos.	Item Number	Description	Remarks
1A	230459	M4-.7 X 8MM BH C/S	
1B	230110	BHCS M4 X .7 X 6 BLK W/PL	
2	050039	CUP SPLINE ANG ADJ	
3	502050	SPLINE, CASTER, ANGLE ADJ, UPPER	
4	502051	SPLINE, CASTER, ANGLE ADJ, LOWER	
5	050087	CASTER CAP ANGLE ADJ	
6	050074	O-RING .625 ID X .125W	
7	050134	SET SCREW M12 X 20MM LG FLT PT	
8	050041	BARREL PIVOT ANG ADJ	
9	050040	PIN PIVOT ANG ADJ	
14	265161	WASHER, LOCK, M12	
15A	481398	SHCS, M12 x 1.75, ANGLE ADJ	

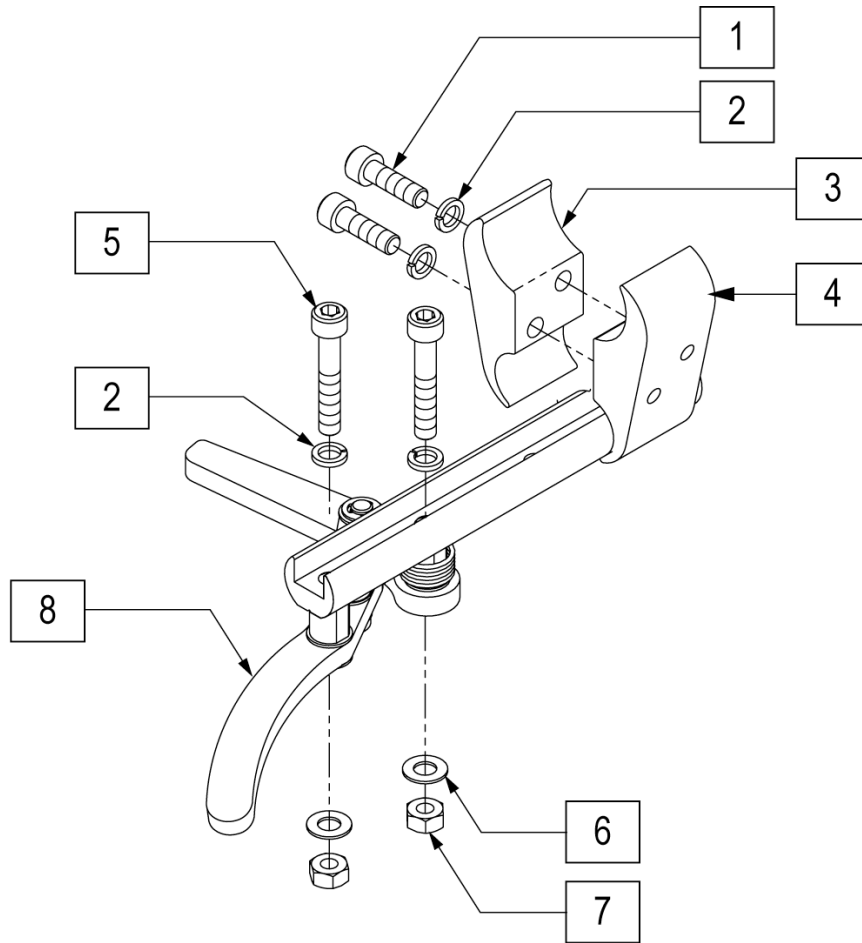
Pos.	Item Number	Description	Remarks
15B	481399	SHCS M12 2.25 ANGLE ADJ-SWING AWAY	FRONT ONLY
15C	481571	SHCS M12X2.75 LG ANGL ADJ-SWING AWAY	FRONT ONLY
16A	481353	SPACER, BEARING	
16B	050043-001	SPCR BRNG CSTR 9.65MM	
16C	050043-002	SPCR BRNG CSTR 2.20MM	
17A	481483	AXLE, CASTER, 1.58 LG	
17B	050042	AXLE CASTER 52MM	
18	013143	BHCS M5 X .8 X 14 BLK W/PL	
19	262132	WASHER, LOCK, M5	
20	483275	SPACER, CSTR, ANGLER ADJ .50-SWING AWAY	FRONT ONLY
1A-9,14,15A	050224	SPLINE CASTER HDWR KIT (FIXED FRONT ONLY)	
10-12,13A,16A,17A-19	050222	ASSM INTGRL FRK W/AXLE SHT BLK	
10-12,13B,16B,17B-19	050223	ASSM INTGRL FRK W/AXLE WD BLK	
10-12,13C,16C,17C-19	050231	ASSM INTGRL FRK W/AXL WD SFT RL	
10-13A	922111	ASSM INTGRL BRNG FORK SHRT BLK	
10-13B	050150	ASSM FORK INTGRL BEARING WIDE	



Pos.	Item Number	Description	Remarks	Pos.	Item Number	Description	Remarks
1	301109	SNAP BUTTON DUAL ONE SIDE		9	221096	1/4-28 X 5/8 HEX C/S	
2A	050165-001	TUBE ANTI TIP SML (22")	RIGHT	10	561032	ANTI-TIP WHEEL	
2B	050166-001	TUBE ANTI TIP SML (22")	LEFT	11	262100-QU	1/4 AN WASHER FLAT	
2C	050165-002	TUBE ANTI TIP MED (24")	RIGHT	12	262130	6MM WASHER WAVE	
2D	050166-002	TUBE ANTI TIP MED (24")	LEFT	13	201100-QU	1/4-28 NYLOCK NUT THIN	
2E	050165-003	TUBE ANTI TIP LRG (26")	RIGHT	14	560735	7/8" ROUND TUBE PLUG	
2F	050166-003	TUBE ANTI TIP LRG (26")	LEFT	1,2,6-13	050172-001	REAR ANTI TIP ASSM 20"	RIGHT
2G	050206	TUBE ANTI-TIP CURVED (20")	RIGHT	1,2,6-13	050172-002	REAR ANTI TIP ASSM 22"	RIGHT
2H	050207	TUBE ANTI-TIP CURVED (20")	LEFT	1,2,6-13	050172-003	REAR ANTI TIP ASSM 24"	RIGHT
3	052116	RECEIVER ANTI-TIP		1,2,6-13	050172-004	REAR ANTI TIP ASSM 26"	RIGHT
4	050129-001	LOCKWASHER HIGH COLLAR M6		1,2,6-13	050173-001	REAR ANTI TIP ASSM 20"	LEFT
5	230011	SHCS M6 X 1 X 20 BLK		1,2,6-13	050173-002	REAR ANTI TIP ASSM 22"	LEFT
6	301100	SNAP BUTTON 1/4IN SINGLE		1,2,6-13	050173-003	REAR ANTI TIP ASSM 24"	LEFT
7	563065	3/4" ANTI-RATTLE		1,2,6-13	050173-004	REAR ANTI TIP ASSM 26"	LEFT
8A	050167-001	SLEEVE TUBE ANTI TIP 5P		7-13	050247-001	ANTI-TIP SLV W/WHLS BLK (5P)	
8B	050167-002	SLEEVE TUBE ANTI TIP 6P		7-13	050247-002	ANTI-TIP SLV W/WHLS BLK (6P)	



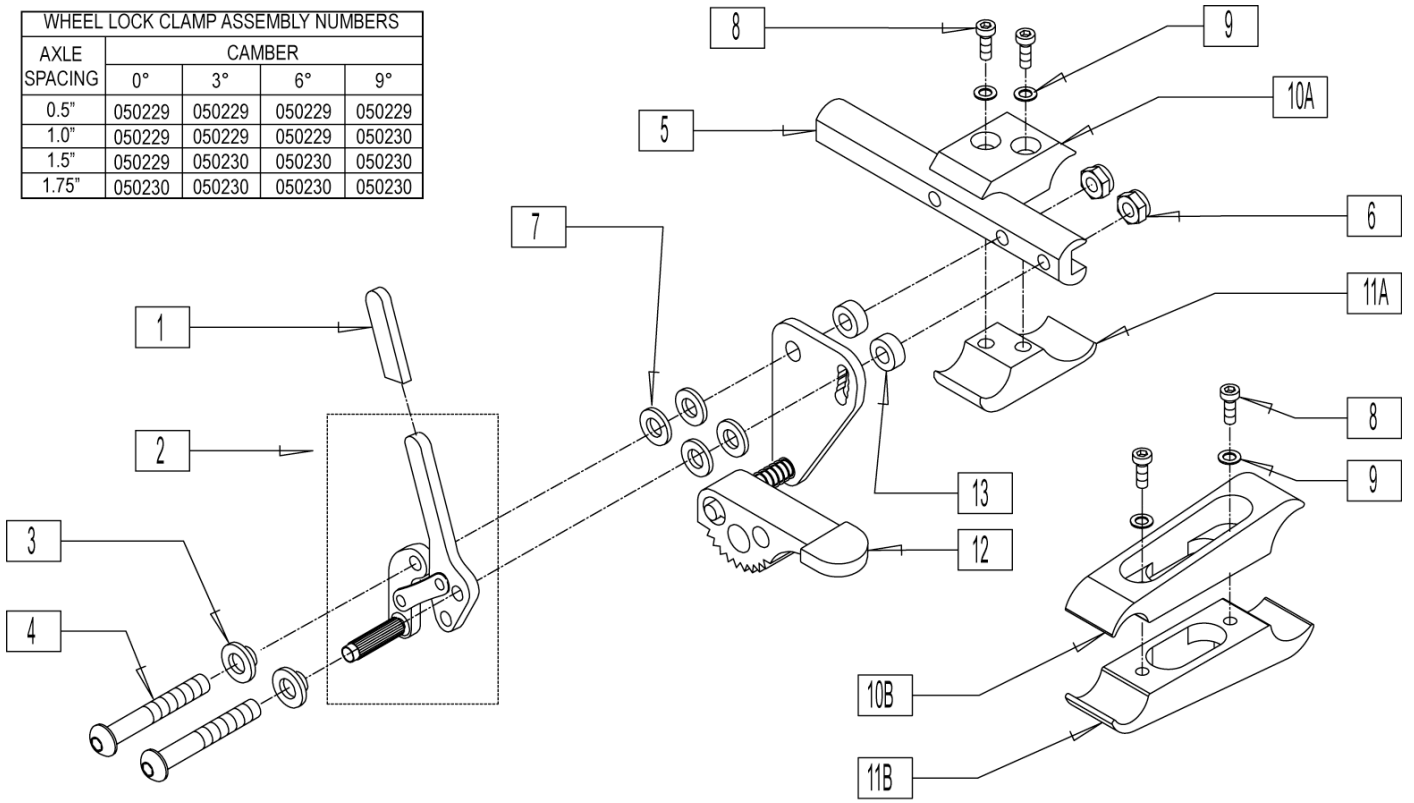
<b>Pos.</b>	<b>Item Number</b>	<b>Description</b>	<b>Remarks</b>
1	052185	RECEIVER ANTI-TIP SWING-AWAY	
2A	000 859 212	ANTI-TIP TUBE S/A CMLPT 20 -22"	
2B	000 859 202	ANTI-TIP TUBE S/A CMLPT 24 -26"	
3	560735	7/8" ROUND TUBE PLUG	
4	102262-005	BHCS M6 x 1 x 30 INORGANIC	
5	200113	NUT HEX NYLOCK M6	
6	262130	6mm WASHER WAVE	
7	102260-001	SHCS M5 x .8 x 18 INORGANIC	
8	52151	PLATE ADAPTER ANTI-TIP	
1,2A,3-7	104978	ASSY ANTI-TIP S/A 20 -22" GTX	
1,2B,3-7	104979	ASSY ANTI-TIP S/A 24 -26" GTX	



Pos.	Item Number	Description	Remarks
1	230011	SHCS M6 X 1 X 20 BLK	
2	050129-001	LOCKWASHER HIGH COLLAR M6	
3	050120	CLAMP WHL LCK MALE	
3	050160	CLAMP WHL LCK LNG MALE	
4	050121	CLAMP WHL LCK FEMALE	
4	050161	CLAMP WHL LCK LNG FEMALE	
1-4	050229	WHEEL LOCK CLAMP ASSM BLK	
1-4	050230	WHEEL LOCK CLAMP LONG ASSM BLK	
2,5-8	050152-001	ASSM WHL LCK SCSSR STD R	
2,5-8	050153-001	ASSM WHL LCK SCSSR STD L	
2,5-8	050152-002	ASSM WHL LCK SCSSR OFFSET R	
2,5-8	050153-002	ASSM WHL LCK SCSSR OFFSET L	

**WHEEL LOCK (PULL-TO-LOCK)**

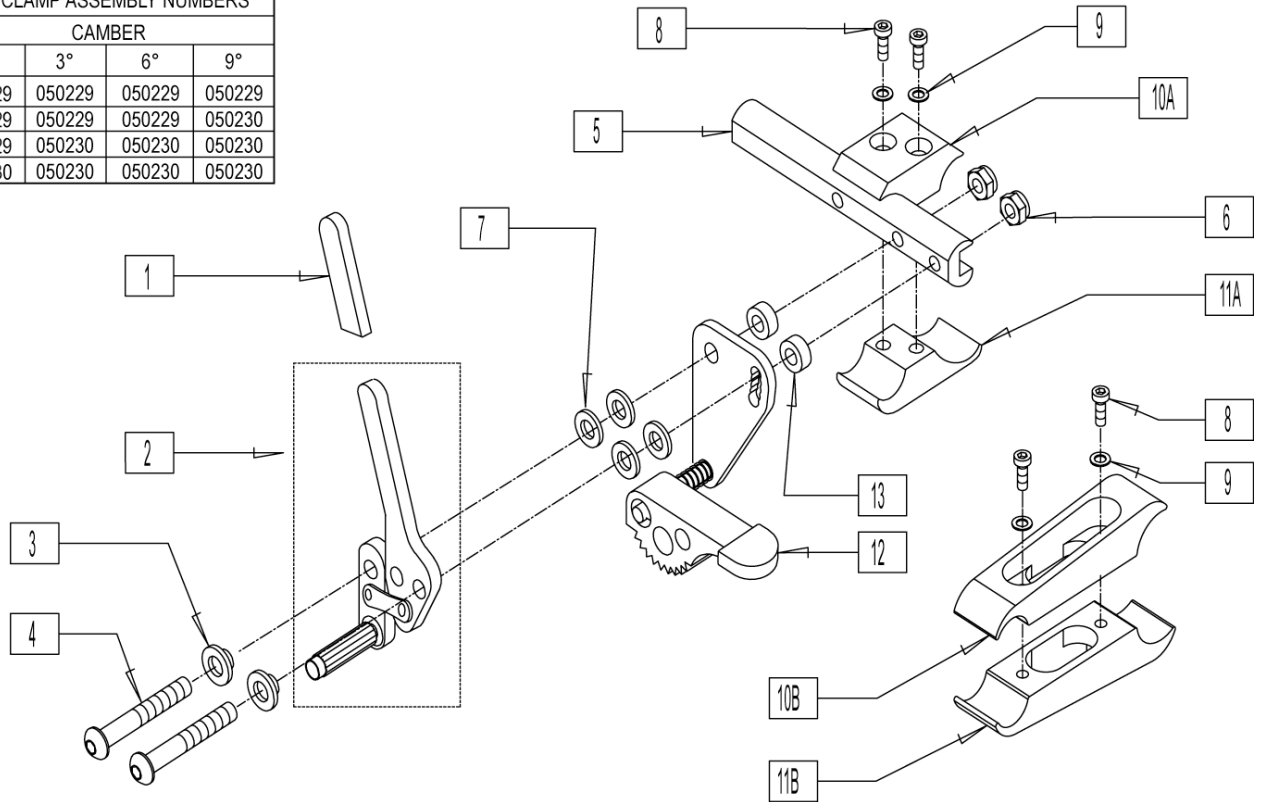
WHEEL LOCK CLAMP ASSEMBLY NUMBERS				
AXLE SPACING	CAMBER			
	0°	3°	6°	9°
0.5"	050229	050229	050229	050229
1.0"	050229	050229	050229	050230
1.5"	050229	050230	050230	050230
1.75"	050230	050230	050230	050230



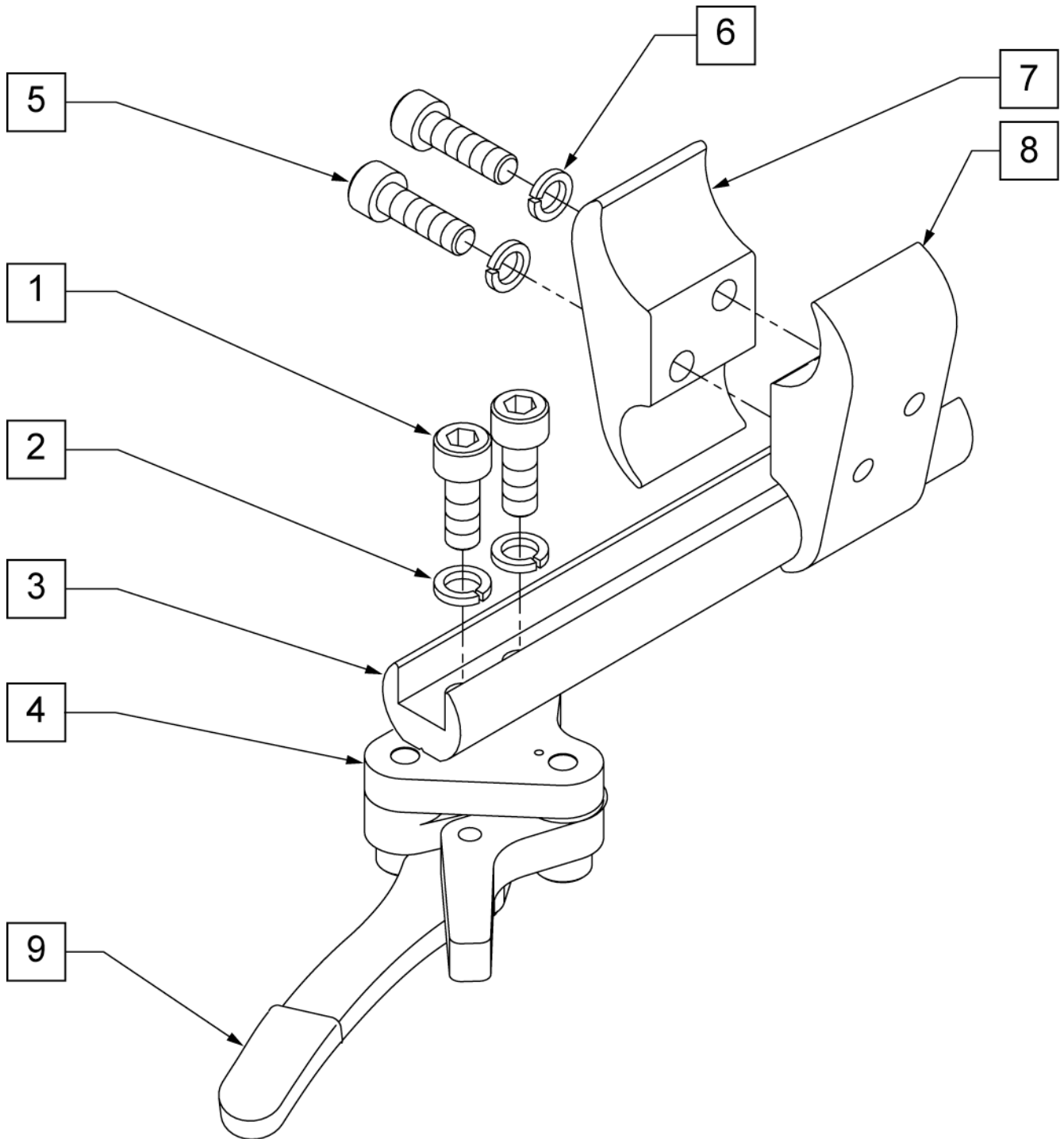
Pos.	Item Number	Description	Remarks
1	560500-QU	HB PLASTIC COVER	
3	560126	.250 ID .312 OD BUSHING PLST	
4	226110	1/4-28 x 1 BH C/S	
5	550374	" WHEEL LOCK SLIDE BLOCK 3 1/2" BLK"	
6	201100-QU	1/4-28 NYLOCK NUT THIN	
7	561028	1/4" NYLON WASHER	
8	230011	SHCS M6X 1 X 20MM TORX T-30	
9	050129-001	LOCKWASHER HIGH COLLAR M6	
10B	050160	CLAMP WHL LCK LNG MALE	
10A	050120	CLAMP WHL LCK MALE	
11B	050061	CLAMP WHL LCK LNG FEMALE	
11A	050121	CLAMP WHL LCK FEMALE	
12	880904	GRADE AID PLATE W/WHL R BLK	
12	880905	GRADE AID PLATE W/WHL L BLK	
13	483027	1/4 X 1/4 ALUM SPACER BLK	
1,2	881798	WHEEL LOCK ASSM R PULL	
1,2	881797	WHEEL LOCK ASSM L PULL	
8-10A,11A	050229	WHEEL LOCK CLAMP ASSM BLK	
8,9,10B,11B	050230	WHEEL LOCK CLAMP LONG ASSM BLK	
1-7	881948	WHL LCK PULL LG R W/O CLMP	
1-7	881949	WHL LCK PULL LG L W/O CLMP	
1-7,12,13	882025	WHL LCK PULL LG R W/GRADE AID	
1-7,12,13	882026	WHL LCK PULL LG L W/GRADE AID	



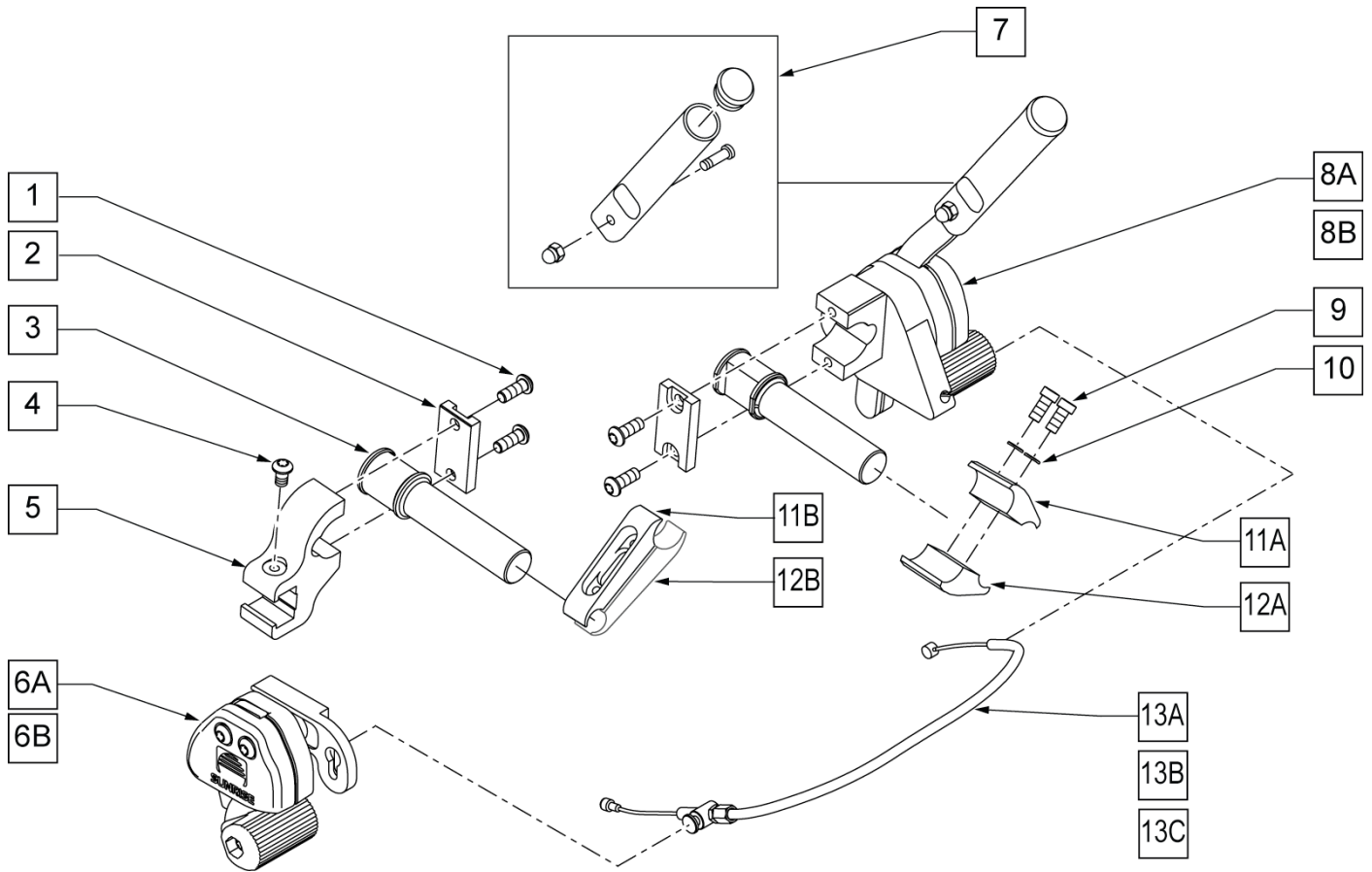
WHEEL LOCK CLAMP ASSEMBLY NUMBERS				
AXLE SPACING	CAMBER			
	0°	3°	6°	9°
0.5"	050229	050229	050229	050229
1.0"	050229	050229	050229	050230
1.5"	050229	050230	050230	050230
1.75"	050230	050230	050230	050230



Pos.	Item Number	Description	Remarks
1	560500-QU	HB PLASTIC COVER	
3	560126	.250 ID .312 OD BUSHING PLST	
4	226110	1/4-28 x 1 BH C/S	
5	550447	WHEEL LOCK SLIDE BLOCK LONG BLK	
6	201100-QU	1/4-28 NYLOCK NUT THIN	
7	561028	1/4" NYLON WASHER	
8	230021	BHCS M5 X.8 X 20MM TORX T-25	
9	050129-001	LOCKWASHER HIGH COLLAR M6	
10B	050160	CLAMP WHL LCK LNG MALE	
10A	050120	CLAMP WHL LCK MALE	
11B	050161	CLAMP WHL LCK LNG FEMALE	
11A	050121	CLAMP WHL LCK FEMALE	
12	880904	GRADE AID PLATE W/WHL R BLK	
12	880905	GRADE AID PLATE W/WHL L BLK	
13	483027	1/4 X 1/4 ALUM SPACER BLK	
1,2	881748	WHEEL LOCK ASSM R PUSH	
1,2	881749	WHEEL LOCK ASSM L PUSH	
8-10A,11A	050229	WHEEL LOCK CLAMP ASSM BLK	
8,9,10B,11B	050230	WHEEL LOCK CLAMP LONG ASSM BLK	
1-7	881946	WHL LCK PUSH LG R W/O CLMP	
1-7	881947	WHL LCK PUSH LG L W/O CLMP	
1-7,12,13	882023	WHL LCK PUSH LG R W/GRADE AID	
1-7,12,13	882024	WHL LCK PUSH LG L W/GRADE AID	

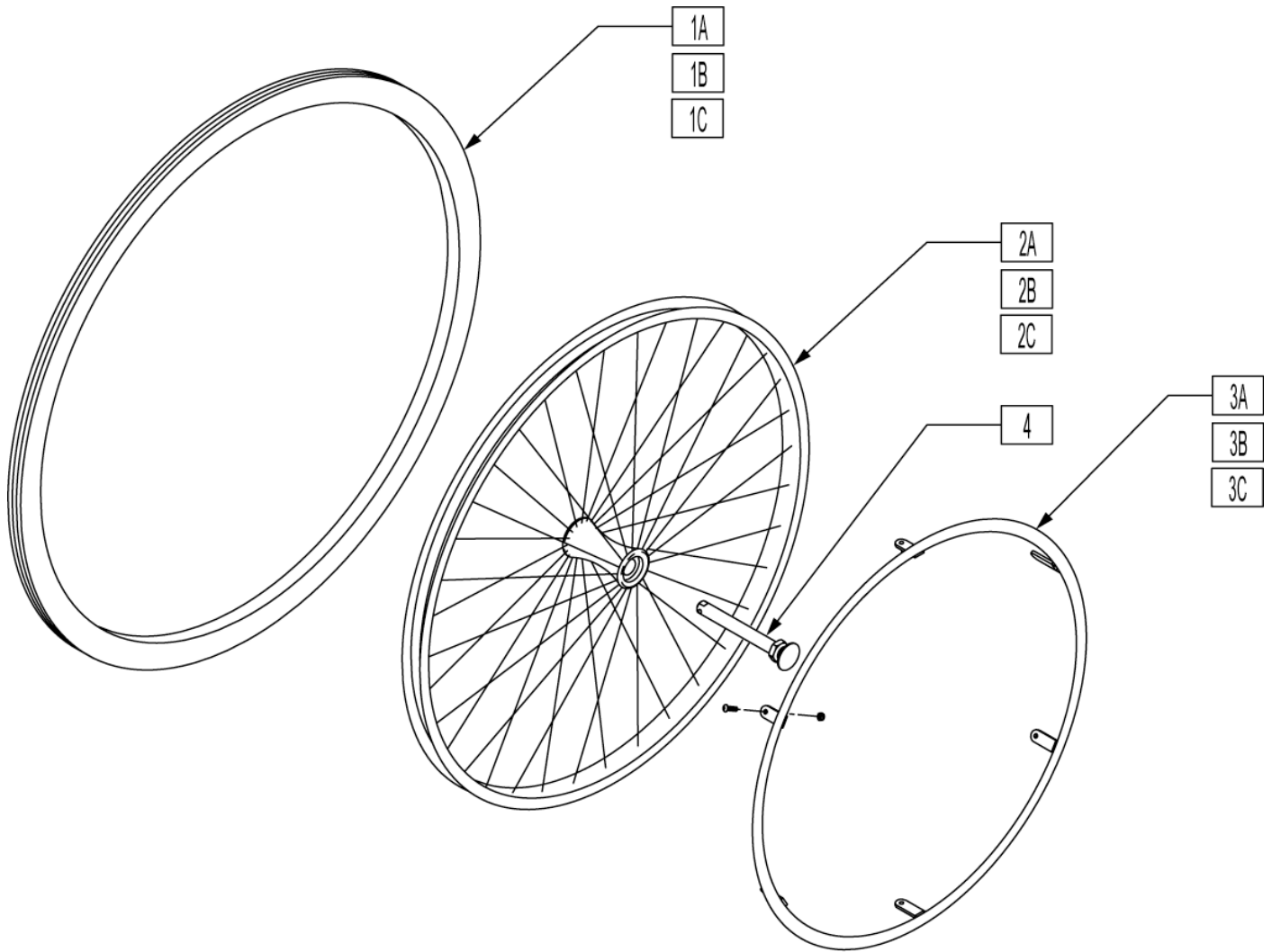


Pos.	Item Number	Description	Remarks
5	230011	SHCS M6 X 1 X 20 BLK	
6	050129-001	LOCKWASHER HIGH COLLAR M6	
7	050120	CLAMP WHL LOCK MALE	
7	050160	CLAMP WHL LOCK LONG MALE	
8	050121	CLAMP WHL LOCK FEMALE	
8	050161	CLAMP WHL LOCK LONG FEMALE	
1-4,9	052169	WHL LOCK ASSY COMPACT L	LEFT
1-4,9	052170	WHL LOCK ASSY COMPACT R	RIGHT
5-8	050229	WHEEL LOCK CLAMP ASSM BLK	
5-8	050230	WHEEL LOCK CLAMP LONG ASSM BLK	
9	052164	GRIP WHEEL LOCK J-LOCK SHORT THRW	

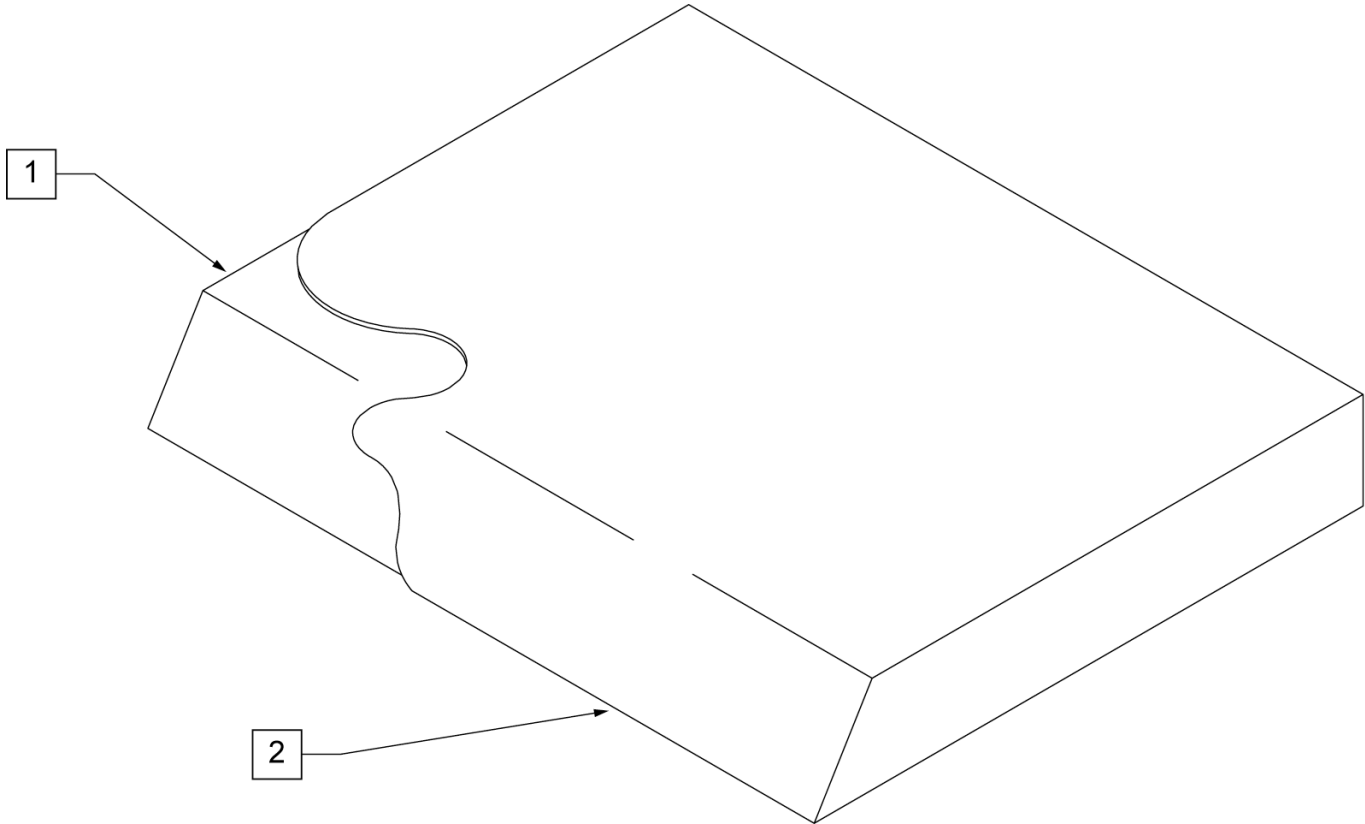


Pos.	Item Number	Description	Remarks
1	230032	M6 x 16 B/H CAP SCREW	
2	501032	CLAMP CAP	
3	501031	WHEEL LOCK EXTENSION	
4	102262-002	BHCS M6 X 1 X 10 W/PL INORG	
5	501033	REMOTE LOCK CLAMP	
7	883300	1-HAND WHLLCK RLCMNT HNDL KIT	
9	226112	1/4-28 x 1 SOC C/S BLK	
10	262114	1/4 WASHER HI COLLAR	
11A	050120	CLAMP WHL LCK MALE	
11B	050160	CLAMP WHL LCK LNG MALE	
12A	050121	CLAMP WHL LCK FEMALE	
12B	050161	CLAMP WHL LCK LNG FEMALE	
13A	341760	WHEEL LOCK CABLE SHORT	12 -14" WIDE CHAIRS
13B	341761	WHEEL LOCK CABLE MEDIUM	15 -17" WIDE CHAIRS
13C	341762	WHEEL LOCK CABLE LONG	18 -20" WIDE CHAIRS
9-11A,12A	050229	WHEEL LOCK CLAMP ASSM BLK	
9-11B,12B	050230	WHEEL LOCK CLAMP LONG ASSM BLK	
1-3,8A	882123	HND LOCK SUB-ASSM RIGHT	SHOWN
1-3,8B	882121	HND LOCK SUB-ASSM LEFT	
1-6A	882124	RMT LOCK SUB-ASSM RIGHT	SHOWN
1-6B	882122	RMT LOCK SUB-ASSM LEFT	
1-6A,8A	102110-001	UNILATERAL PUSH ASSY R SHORT	12 -14" WIDE CHAIRS
1-6A,8A	102110-002	UNILATERAL PUSH ASSY R MED	15 -17" WIDE CHAIRS
1-6A,8A	102110-003	UNILATERAL PUSH ASSY R LONG	18 -20" WIDE CHAIRS

<b>Pos.</b>	<b>Item Number</b>	<b>Description</b>	<b>Remarks</b>
1-6B,8B	102111-001	UNILATERAL PUSH ASSY L SHORT	12 -14" WIDE CHAIRS
1-6B,8B	102111-002	UNILATERAL PUSH ASSY L MED	15 -17" WIDE CHAIRS
1-6B,8B	102111-003	UNILATERAL PUSH ASSY L LONG	18 -20" WIDE CHAIRS



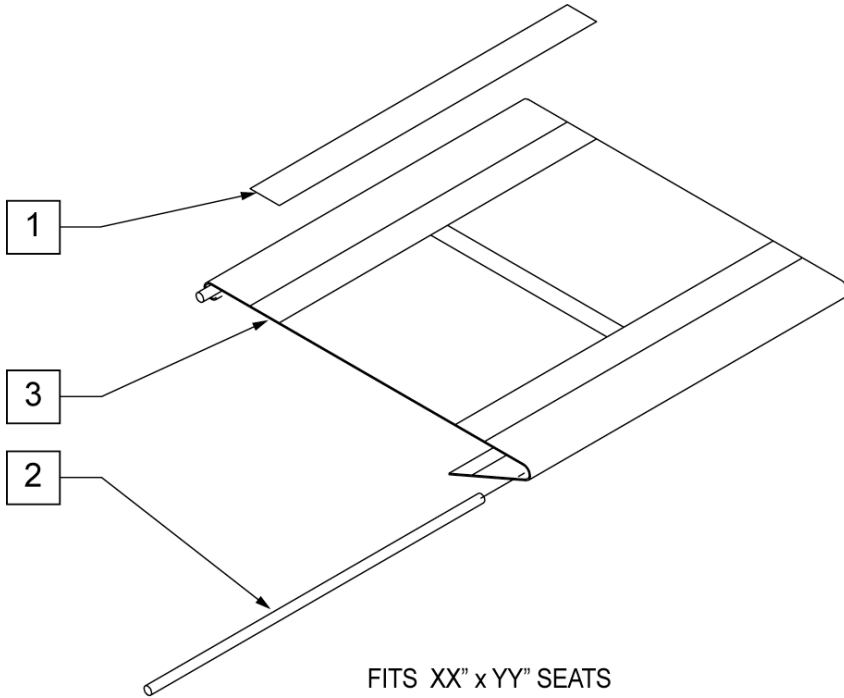
Pos.	Item Number	Description	Remarks
2A	100798-001	WHL RIM 22" ULTRALITE	
2B	100798-002	WHL RIM 24" ULTRALITE	
2C	100798-003	WHL RIM 26" ULTRALITE	
3A	100739-001	HANDRIM 22" WHL 1260	
3B	100739-002	HANDRIM 24" WHL 1260	
3C	100739-003	HANDRIM 26" WHL 1260	
4	100793	AXLE QR SHORT ULTRALITE	
1A,2A,3A	100797-001	WHL ASSY 22" ULTRALITE	
1B,2B,3B	100797-002	WHL ASSY 24" ULTRALITE	
1C,2C,3C	100797-003	WHL ASSY 26" ULTRALITE	



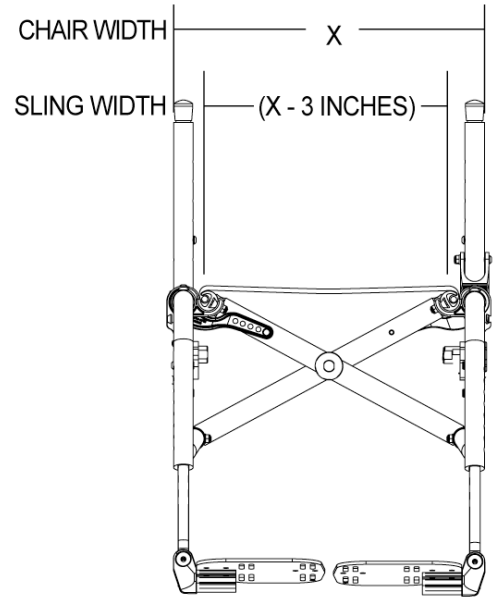
Pos.	Item Number	Description	Remarks	Pos.	Item Number	Description	Remarks
1,2	700002	SEAT CUSHION 11" X 10" X 2"		1,2	700172	SEAT CUSHION 12" X 17" X 2"	
1,2	700012	SEAT CUSHION 11" X 11" X 2"		1,2	700182	SEAT CUSHION 12" X 18" X 2"	
1,2	700022	SEAT CUSHION 11" X 12" X 2"		1,2	700192	SEAT CUSHION 12" X 19" X 2"	
1,2	700025	SEAT CUSHION 10" X 8" X 2"		1,2	700202	SEAT CUSHION 13" X 10" X 2"	
1,2	700026	SEAT CUSHION 10" X 9" X 2"		1,2	700207	SEAT CUSHION 13" X 8" X 2"	
1,2	700027	SEAT CUSHION 10" X 10" X 2"		1,2	700208	SEAT CUSHION 13" X 9" X 2"	
1,2	700028	SEAT CUSHION 10" X 11" X 2"		1,2	700212	SEAT CUSHION 13" X 11" X 2"	
1,2	700029	SEAT CUSHION 10" X 12" X 2"		1,2	700222	SEAT CUSHION 13" X 12" X 2"	
1,2	700032	SEAT CUSHION 11" X 13" X 2"		1,2	700232	SEAT CUSHION 13" X 13" X 2"	
1,2	700035	SEAT CUSHION 10" X 13" X 2"		1,2	700242	SEAT CUSHION 13" X 14" X 2"	
1,2	700042	SEAT CUSHION 11" X 14" X 2"		1,2	700243	SEAT CUSHION 13" X 14" X 3"	
1,2	700045	SEAT CUSHION 10" X 14" X 2"		1,2	700244	SEAT CUSHION 13" X 14" X 4"	
1,2	700052	SEAT CUSHION 11" X 15" X 2"		1,2	700252	SEAT CUSHION 13" X 15" X 2"	
1,2	700055	SEAT CUSHION 11" X 8" X 2"		1,2	700262	SEAT CUSHION 13" X 16" X 2"	
1,2	700056	SEAT CUSHION 11" X 9" X 2"		1,2	700267	SEAT CUSHION 13" X 19" X 2"	
1,2	700062	SEAT CUSHION 11" X 16" X 2"		1,2	700272	SEAT CUSHION 13" X 17" X 2"	
1,2	700072	SEAT CUSHION 11" X 17" X 2"		1,2	700277	SEAT CUSHION 13" X 18" X 2"	
1,2	700082	SEAT CUSHION 11" X 18" X 2"		1,2	700282	SEAT CUSHION 14" X 10" X 2"	
1,2	700102	SEAT CUSHION 12" X 10" X 2"		1,2	700287	SEAT CUSHION 14" X 8" X 2"	
1,2	700107	SEAT CUSHION 12" X 8" X 2"		1,2	700288	SEAT CUSHION 14" X 9" X 2"	
1,2	700108	SEAT CUSHION 12" X 9" X 2"		1,2	700292	SEAT CUSHION 14" X 11" X 2"	
1,2	700112	SEAT CUSHION 12" X 11" X 2"		1,2	700302	SEAT CUSHION 14" X 12" X 2"	
1,2	700122	SEAT CUSHION 12" X 12" X 2"		1,2	700312	SEAT CUSHION 14" X 13" X 2"	
1,2	700132	SEAT CUSHION 12" X 13" X 2"		1,2	700322	SEAT CUSHION 14" X 14" X 2"	
1,2	700142	SEAT CUSHION 12" X 14" X 2"		1,2	700332	SEAT CUSHION 14" X 15" X 2"	
1,2	700152	SEAT CUSHION 12" X 15" X 2"		1,2	700342	SEAT CUSHION 14" X 16" X 2"	
1,2	700162	SEAT CUSHION 12" X 16" X 2"		1,2	700352	SEAT CUSHION 14" X 17" X 2"	

Pos.	Item Number	Description	Remarks	Pos.	Item Number	Description	Remarks
1,2	700362	SEAT CUSHION 14" X 18" X 2"		1,2	700802	SEAT CUSHION 19" X 14" X 2"	
1,2	700372	SEAT CUSHION 14" X 19" X 2"		1,2	700812	SEAT CUSHION 19" X 15" X 2"	
1,2	700382	SEAT CUSHION 14" X 20" X 2"		1,2	700822	SEAT CUSHION 19" X 16" X 2"	
1,2	700392	SEAT CUSHION 14" X 21" X 2"		1,2	700832	SEAT CUSHION 19" X 17" X 2"	
1,2	700398	SEAT CUSHION 15" X 11" X 2"		1,2	700842	SEAT CUSHION 19" X 18" X 2"	
1,2	700402	SEAT CUSHION 15" X 12" X 2"		1,2	700852	SEAT CUSHION 19" X 19" X 2"	
1,2	700412	SEAT CUSHION 15" X 13" X 2"		1,2	700862	SEAT CUSHION 19" X 20" X 2"	
1,2	700422	SEAT CUSHION 15" X 14" X 2"		1,2	700872	SEAT CUSHION 19" X 21" X 2"	
1,2	700432	SEAT CUSHION 15" X 15" X 2"		1,2	700882	SEAT CUSHION 20" X 12" X 2"	
1,2	700442	SEAT CUSHION 15" X 16" X 2"		1,2	700892	SEAT CUSHION 20" X 13" X 2"	
1,2	700452	SEAT CUSHION 15" X 17" X 2"		1,2	700902	SEAT CUSHION 20" X 14" X 2"	
1,2	700462	SEAT CUSHION 15" X 18" X 2"		1,2	700912	SEAT CUSHION 20" X 15" X 2"	
1,2	700472	SEAT CUSHION 15" X 19" X 2"		1,2	700922	SEAT CUSHION 20" X 16" X 2"	
1,2	700482	SEAT CUSHION 15" X 20" X 2"		1,2	700932	SEAT CUSHION 20" X 17" X 2"	
1,2	700492	SEAT CUSHION 15" X 21" X 2"		1,2	700942	SEAT CUSHION 20" X 18" X 2"	
1,2	700498	SEAT CUSHION 16" X 11" X 2"		1,2	700952	SEAT CUSHION 20" X 19" X 2"	
1,2	700502	SEAT CUSHION 16" X 12" X 2"		1,2	702080	SEAT CUSHION 21" X 13" X 2"	
1,2	700512	SEAT CUSHION 16" X 13" X 2"		1,2	702081	SEAT CUSHION 21" X 14" X 2"	
1,2	700522	SEAT CUSHION 16" X 14" X 2"		1,2	702082	SEAT CUSHION 21" X 15" X 2"	
1,2	700532	SEAT CUSHION 16" X 15" X 2"		1,2	702083	SEAT CUSHION 21" X 16" X 2"	
1,2	700542	SEAT CUSHION 16" X 16" X 2"		1,2	702084	SEAT CUSHION 21" X 17" X 2"	
1,2	700552	SEAT CUSHION 16" X 17" X 2"		1,2	702085	SEAT CUSHION 21" X 18" X 2"	
1,2	700562	SEAT CUSHION 16" X 18" X 2"		1,2	702086	SEAT CUSHION 21" X 19" X 2"	
1,2	700572	SEAT CUSHION 16" X 19" X 2"		1,2	702087	SEAT CUSHION 21" X 20" X 2"	
1,2	700582	SEAT CUSHION 16" X 20" X 2"		1,2	702088	SEAT CUSHION 21" X 21" X 2"	
1,2	700592	SEAT CUSHION 16" X 21" X 2"		1,2	702090	SEAT CUSHION 22" X 13" X 2"	
1,2	700597	SEAT CUSHION 17" X 13" X 2"		1,2	702091	SEAT CUSHION 22" X 14" X 2"	
1,2	700602	SEAT CUSHION 17" X 14" X 2"		1,2	702092	SEAT CUSHION 22" X 15" X 2"	
1,2	700606	SEAT CUSHION 17" X 12" X 2"		1,2	702093	SEAT CUSHION 22" X 16" X 2"	
1,2	700612	SEAT CUSHION 17" X 15" X 2"		1,2	702094	SEAT CUSHION 22" X 17" X 2"	
1,2	700622	SEAT CUSHION 17" X 16" X 2"		1,2	702095	SEAT CUSHION 22" X 18" X 2"	
1,2	700632	SEAT CUSHION 17" X 17" X 2"		1,2	702096	SEAT CUSHION 22" X 19" X 2"	
1,2	700642	SEAT CUSHION 17" X 18" X 2"		1,2	702097	SEAT CUSHION 22" X 20" X 2"	
1,2	700652	SEAT CUSHION 17" X 19" X 2"		1,2	702098	SEAT CUSHION 22" X 21" X 2"	
1,2	700662	SEAT CUSHION 17" X 20" X 2"		1,2	702099	SEAT CUSHION 24" X 14" X 2	
1,2	700672	SEAT CUSHION 17" X 21" X 2"		1,2	702103	SEAT CUSHION 24" X 18" X 2	
1,2	700682	SEAT CUSHION 18" X 12" X 2"		1,2	702106	SEAT CUSHION 24" X 21" X 2"	
1,2	700692	SEAT CUSHION 18" X 13" X 2"		1,2	702116	SEAT CUSHION 20" X 22" X 2"	
1,2	700702	SEAT CUSHION 18" X 14" X 2"		1,2	702117	SEAT CUSHION 22" X 22" X 2"	
1,2	700712	SEAT CUSHION 18" X 15" X 2"		1,2	702118	SEAT CUSHION 24" X 22" X 2"	
1,2	700722	SEAT CUSHION 18" X 16" X 2"		1,2	702224	SEAT CUSHION 26" X 22" X 2"	
1,2	700732	SEAT CUSHION 18" X 17" X 2"		1,2	702229	SEAT CUSHION 28" X 22" X 2"	
1,2	700742	SEAT CUSHION 18" X 18" X 2"		1,2	702230	SEAT CUSHION 30" X 18" X 2"	
1,2	700752	SEAT CUSHION 18" X 19" X 2"		1,2	702231	SEAT CUSHION 30" X 19" X 2"	
1,2	700762	SEAT CUSHION 18" X 20" X 2"		1,2	702232	SEAT CUSHION 30" X 20" X 2"	
1,2	700772	SEAT CUSHION 18" X 21" X 2"		1,2	702233	SEAT CUSHION 30" X 21" X 2"	
1,2	700782	SEAT CUSHION 19" X 12" X 2"		1,2	702234	SEAT CUSHION 30" X 22" X 2"	
1,2	700792	SEAT CUSHION 19" X 13" X 2"					





FITS XX" x YY" SEATS



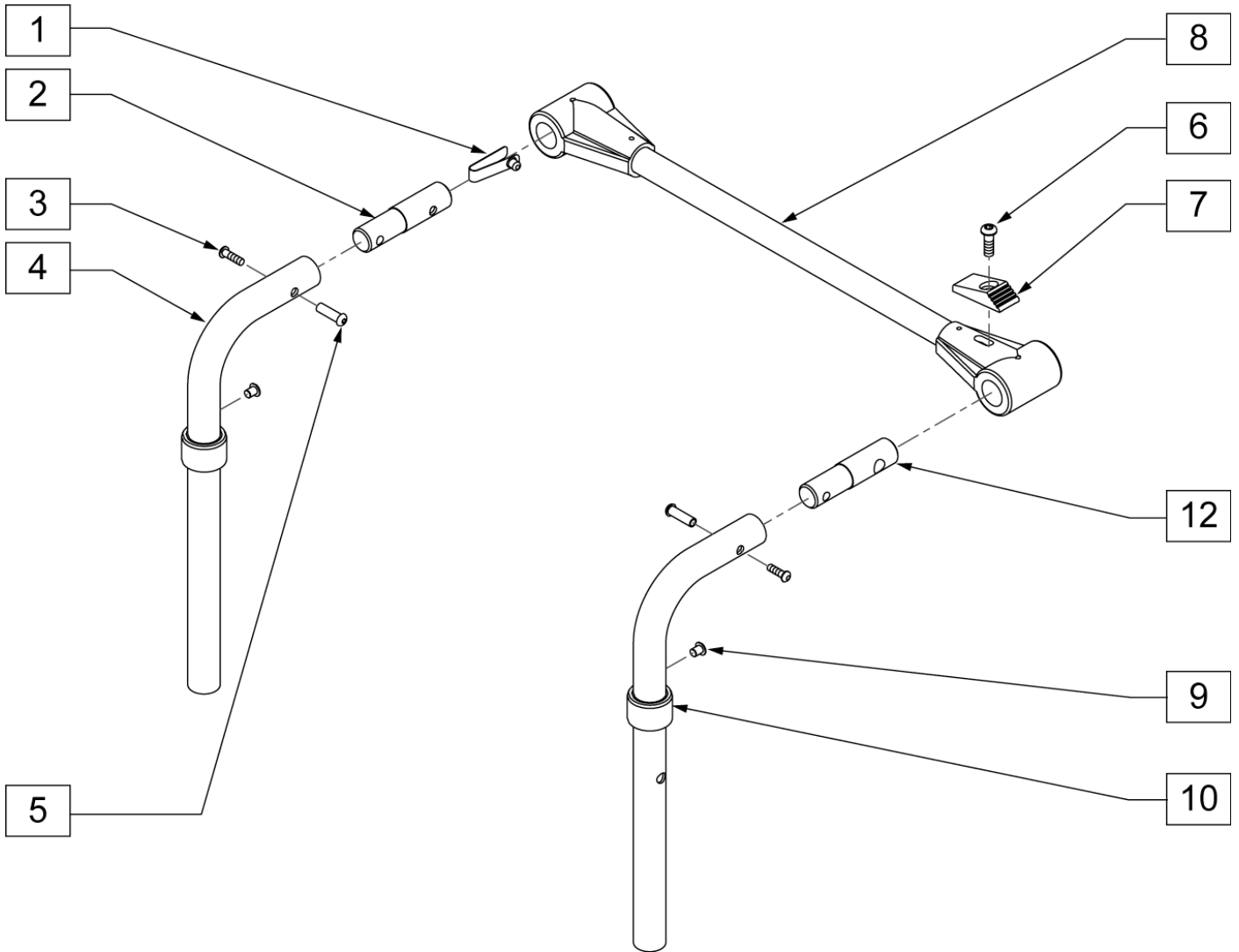
SEAT SLING MEASURING GUIDE

Pos.	Item Number	Description	Remarks	Pos.	Item Number	Description	Remarks
1	901169	SEAT SLING VELCRO STRIP 2"		3	722595	SEAT SLING 12" x 15" CHNL	15" x 15"
2	580228	SEAT SLING RETAINING ROD 12"		3	722596	SEAT SLING 12" x 16" CHNL	15" x 16"
2	580229	SEAT SLING RETAINING ROD 13"		3	722597	SEAT SLING 12" x 17" CHNL	15" x 17"
2	580230	SEAT SLING RETAINING ROD 14"		3	722598	SEAT SLING 12" x 18" CHNL	15" x 18"
2	580231	SEAT SLING RETAINING ROD 15"		3	722603	SEAT SLING 13" x 13" CHNL	16" x 13"
2	580232	SEAT SLING RETAINING ROD 16"		3	722604	SEAT SLING 13" x 14" CHNL	16" x 14"
2	580233	SEAT SLING RETAINING ROD 17"		3	722605	SEAT SLING 13" x 15" CHNL	16" x 15"
2	580234	SEAT SLING RETAINING ROD 18"		3	722606	SEAT SLING 13" x 16" CHNL	16" x 16"
2	580235	SEAT SLING RETAINING ROD 19"		3	722607	SEAT SLING 13" x 17" CHNL	16" x 17"
2	580236	SEAT SLING RETAINING ROD 20"		3	722608	SEAT SLING 13" x 18" CHNL	16" x 18"
2	580237	SEAT SLING RETAINING ROD 21"		3	722609	SEAT SLING 13" x 19" CHNL	16" x 19"
2	580238	SEAT SLING RETAINING ROD 22"		3	722610	SEAT SLING 13" x 20" CHNL	16" x 20"
3	722482	SEAT SLING 9" x 12" CHNL	12" x 12"	3	722611	SEAT SLING 13" x 21" CHNL	16" x 21"
3	722483	SEAT SLING 9" x 13" CHNL	12" x 13"	3	722612	SEAT SLING 13" x 22" CHNL	16" x 22"
3	722484	SEAT SLING 9" x 14" CHNL	12" x 14"	3	722620	SEAT SLING 14" x 14" CHNL	17" x 14"
3	722485	SEAT SLING 9" x 15" CHNL	12" x 15"	3	722621	SEAT SLING 14" x 15" CHNL	17" x 15"
3	722486	SEAT SLING 9" x 16" CHNL	12" x 16"	3	722622	SEAT SLING 14" x 16" CHNL	17" x 16"
3	722489	SEAT SLING 10" x 12" CHNL	13" x 12"	3	722623	SEAT SLING 14" x 17" CHNL	17" x 17"
3	722490	SEAT SLING 10" x 13" CHNL	13" x 13"	3	722624	SEAT SLING 14" x 18" CHNL	17" x 18"
3	722491	SEAT SLING 10" x 14" CHNL	13" x 14"	3	722625	SEAT SLING 14" x 19" CHNL	17" x 19"
3	722492	SEAT SLING 10" x 15" CHNL	13" x 15"	3	722626	SEAT SLING 14" x 20" CHNL	17" x 20"
3	722493	SEAT SLING 10" x 16" CHNL	13" x 16"	3	722627	SEAT SLING 14" x 21" CHNL	17" x 21"
3	722582	SEAT SLING 11" x 12" CHNL	14" x 12"	3	722628	SEAT SLING 14" x 22" CHNL	17" x 22"
3	722583	SEAT SLING 11" x 13" CHNL	14" x 13"	3	722631	SEAT SLING 15" x 15" CHNL	18" x 15"
3	722584	SEAT SLING 11" x 14" CHNL	14" x 14"	3	722632	SEAT SLING 15" x 16" CHNL	18" x 16"
3	722585	SEAT SLING 11" x 15" CHNL	14" x 15"	3	722633	SEAT SLING 15" x 17" CHNL	18" x 17"
3	722586	SEAT SLING 11" x 16" CHNL	14" x 16"	3	722634	SEAT SLING 15" x 18" CHNL	18" x 18"
3	722587	SEAT SLING 11" x 17" CHNL	15" x 17"	3	722635	SEAT SLING 15" x 19" CHNL	18" x 19"
3	722592	SEAT SLING 12" x 12" CHNL	15" x 12"	3	722636	SEAT SLING 15" x 20" CHNL	18" x 20"
3	722593	SEAT SLING 12" x 13" CHNL	15" x 13"	3	722637	SEAT SLING 15" x 21" CHNL	18" x 21"
3	722594	SEAT SLING 12" x 14" CHNL	15" x 14"	3	722638	SEAT SLING 15" x 22" CHNL	18" x 22"

Pos.	Item Number	Description	Remarks	Pos.	Item Number	Description	Remarks
3	722642	SEAT SLING 16" x 16" CHNL	19" x 16"	3	722652	SEAT SLING 17" x 16" CHNL	20" x 16"
3	722643	SEAT SLING 16" x 17" CHNL	19" x 17"	3	722653	SEAT SLING 17" x 17" CHNL	20" x 17"
3	722644	SEAT SLING 16" x 18" CHNL	19" x 18"	3	722654	SEAT SLING 17" x 18" CHNL	20" x 18"
3	722645	SEAT SLING 16" x 19" CHNL	19" x 19"	3	722655	SEAT SLING 17" x 19" CHNL	20" x 19"
3	722646	SEAT SLING 16" x 20" CHNL	19" x 20"	3	722656	SEAT SLING 17" x 20" CHNL	20" x 20"
3	722647	SEAT SLING 16" x 21" CHNL	19" x 21"	3	722657	SEAT SLING 17" x 21" CHNL	20" x 21"
3	722648	SEAT SLING 16" x 22" CHNL	19" x 22"	3	722658	SEAT SLING 17" x 22" CHNL	20" x 22"

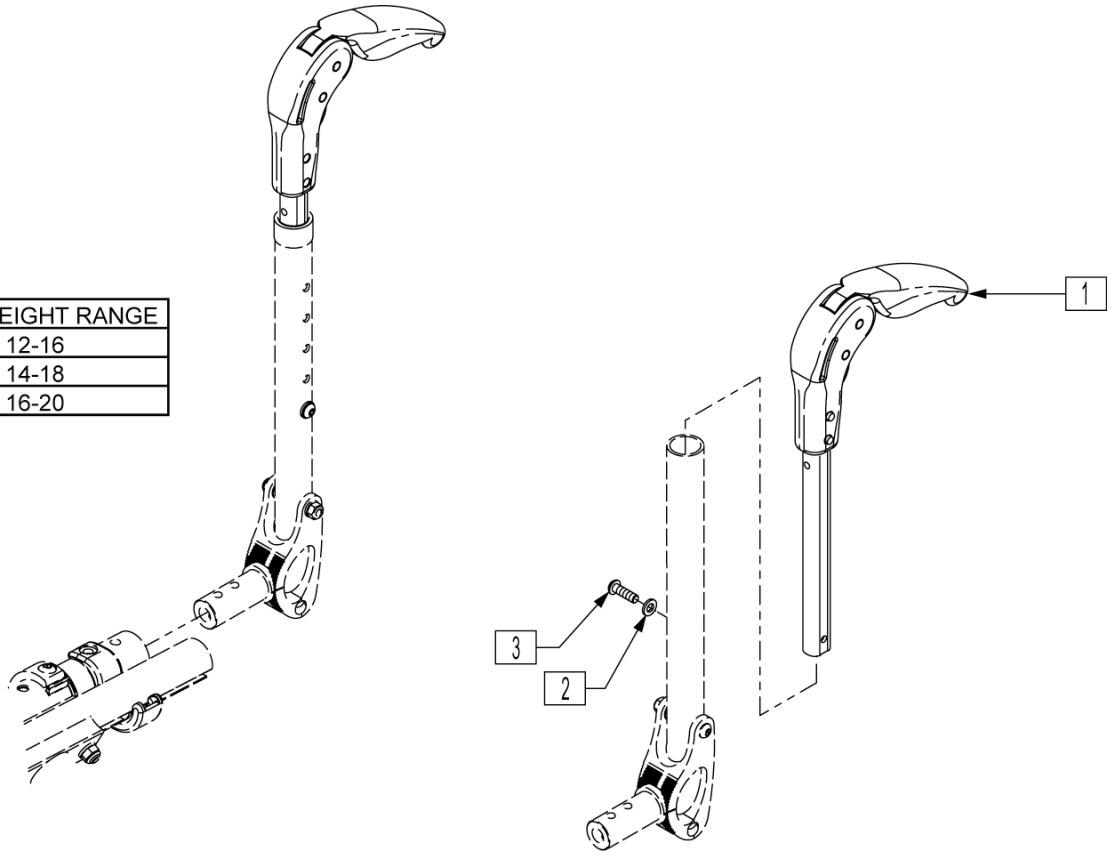
**BACKREST STABILIZER BAR**

[01/2008]



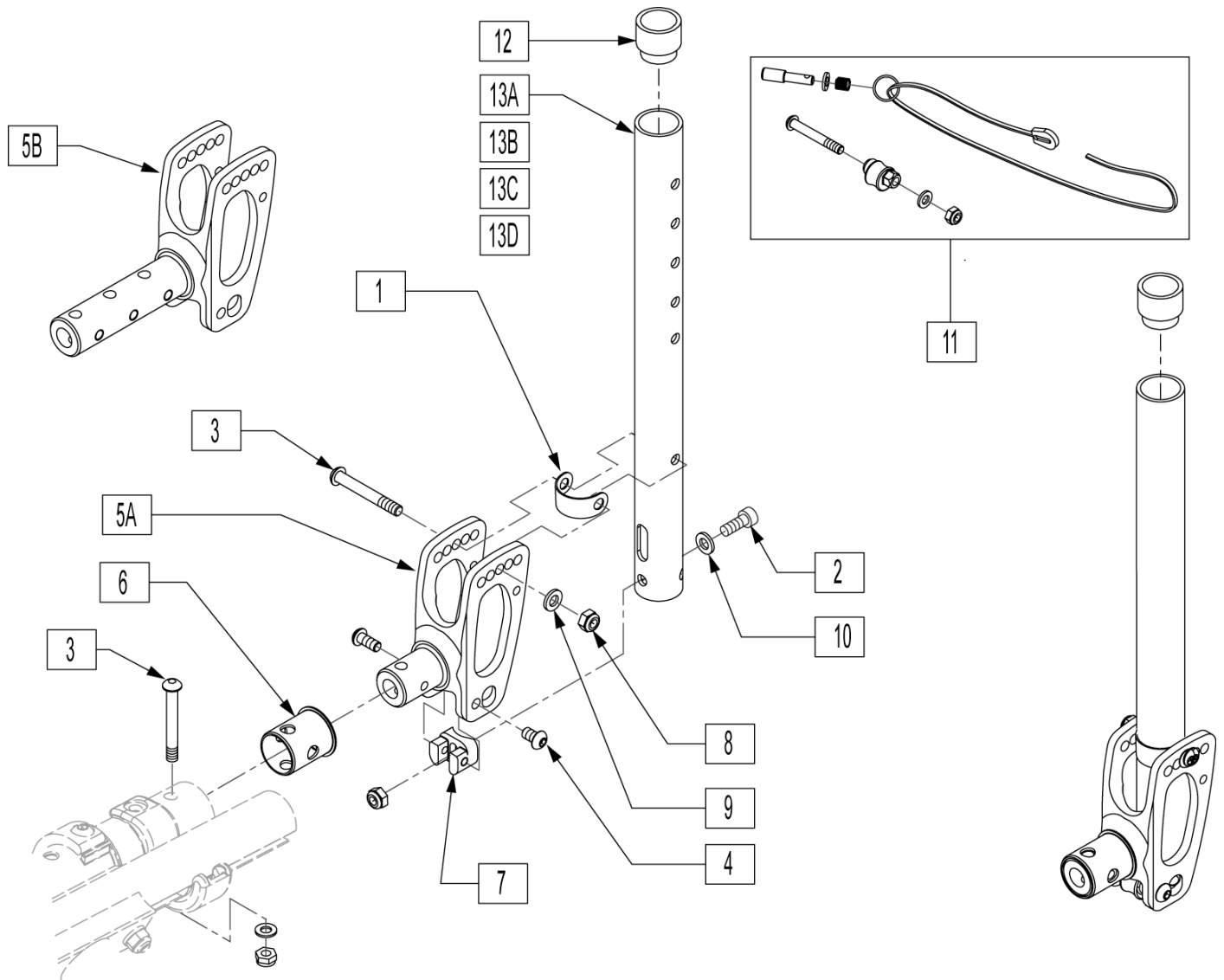
Pos.	Item Number	Description	Remarks	Pos.	Item Number	Description	Remarks
1	301100	"1/4"" SNAP BUTTON SINGLE"		6-8	820696	STABILIZER CROSS BAR ASSM 15"	
2	483533	STABILIZER BAR PIVOT PIN Q2		6-8	820697	STABILIZER CROSS BAR ASSM 16"	
3	226020	10 -32 x 5/8 BH C/S BLK		6-8	820698	STABILIZER CROSS BAR ASSM 17"	
5	221213	10 -32 x 7/8 HEX BOLT QTNT		6-8	820700	STABILIZER CROSS BAR ASSM 18"	
6	560143	STABILIZER LATCH RELEASE BR		6-8	820701	STABILIZER CROSS BAR ASSM 19"	
10	561083	1 1/8" TUBE END BUSHING THIN		6-8	820702	STABILIZER CROSS BAR ASSM 20"	
12	483534	STABILIZER BAR LOCKING PIN Q2		4,9	100843-001	ASSM TUBE BACK STAB SHORT	
6-8	820693	STABILIZER CROSS BAR ASSM 12"		4,9	100843-002	ASSM TUBE BACK STAB MEDIUM	
6-8	820694	STABILIZER CROSS BAR ASSM 13"		4,9	100843-003	ASSM TUBE BACK STAB TALL	
6-8	820695	STABILIZER CROSS BAR ASSM 14"					

PART NUMBER	BACK HEIGHT RANGE
882605	12-16
882605	14-18
882606	16-20



Pos.	Item Number	Description	Remarks
1	882605	"FLDG PSH HNDL W/INSERT 11"-14"'"	
1	882606	"FLDG PSH HNDL W/INSERT 12"-16"'"	
2	262130	6MM WASHER WAVE	
3	012933	BHCS M6 X 20 BLK CL 10.9	

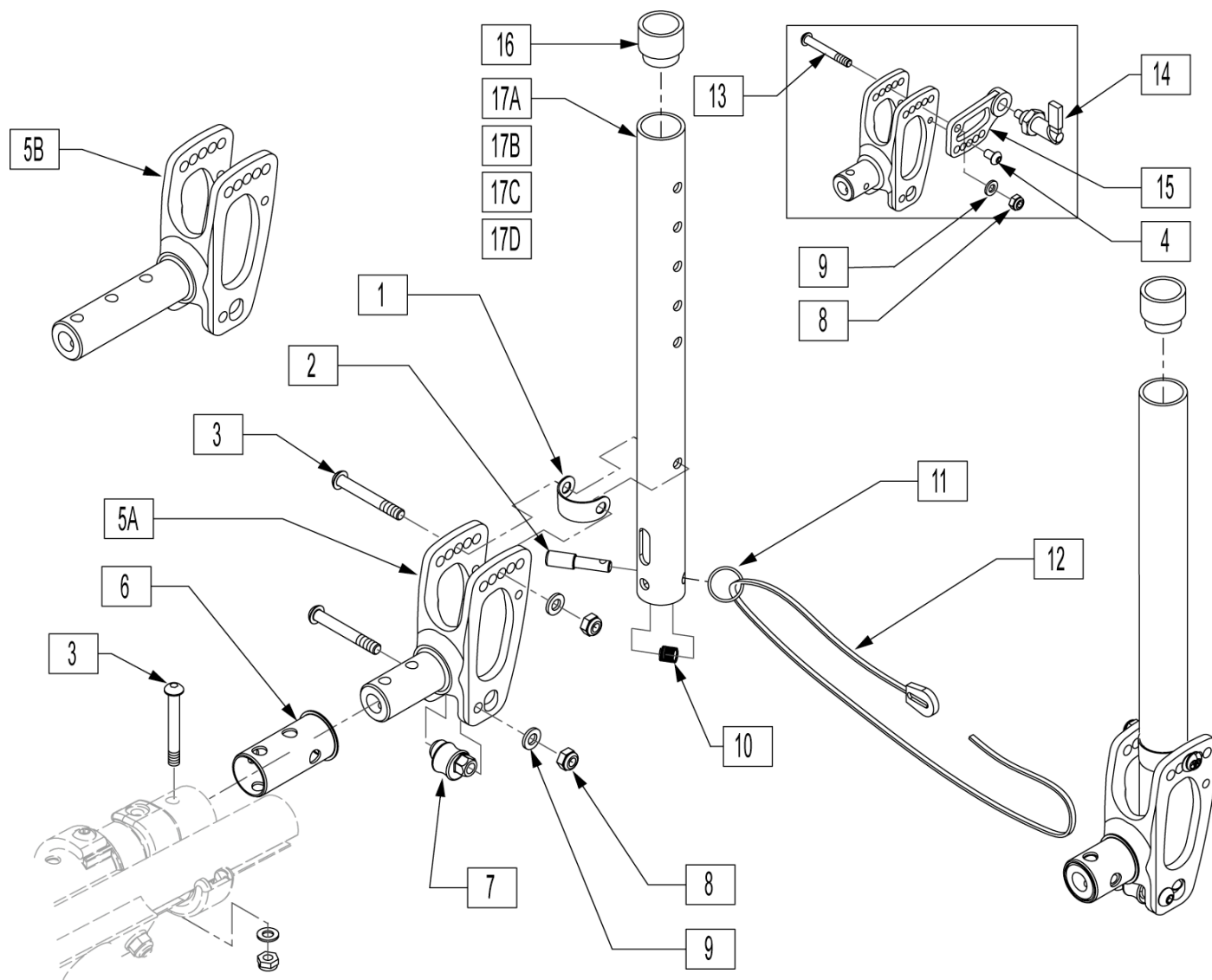
Note: for chairs built prior to July 20 2007 S/N F3-134556 you must replace both backrest brackets by ordering 103543-001 or 103543-002.



Pos.	Item Number	Description	Remarks
1	103470	WASHER PIVOT BACKREST	
2	102263-001	SHCS M6 x 1 x 16 INORGANIC	
3	102262-007	BHCS M6 x 1 x 45 INORGANIC	
4	102262-002	BHCS M6 x 1 x 10 W/PL INORG	
5A	103490-001	BRACKET BACKREST 22MM	USED WITH SOLID BACK INSERT.
5B	103490-002	BRACKET BACKREST 22MM EXT	USED ON NON-HEAVY DUTY CHAIRS.
6	103679	SLEEVE BRACKET BACKREST .088	
7	103472	SADDLE BACKREST NON-FOLD	
8	200113	NUT HEX NYLOCK M6 X 1 NUT	
9	250104	WASHER FLAT M6	
10	262130	6MM WASHER WAVE	
11	103537	FOLDING BACK CONVERSION KIT	
12	561082	1" TUBE END BUSHING THIN	

<b>Pos.</b>	<b>Item Number</b>	<b>Description</b>	<b>Remarks</b>
13A	101302-003	TUBE BACKREST ALUM R STD BLK	10-14" & 12-16"
13A	101303-003	TUBE BACKREST ALUM L STD BLK	10-14" & 12-16"
13B	101302-004	TUBE BACKREST ALUM R TALL BLK	14-18" & 16-20"
13B	101303-004	TUBE BACKREST ALUM L TALL BLK	14-18" & 16-20"
13C	100863-001	TUBE BACKREST 3PT R STD	10-14" & 12-16"
13C	100864-001	TUBE BACKREST 3PT L STD	10-14" & 12-16"
13D	100863-002	TUBE BACKREST 3PT R TALL	14-18" & 16-20"
13D	100864-002	TUBE BACKREST 3PT L TALL	14-18" & 16-20"
1-5A, 6-10	103543-001	BRKT GTX W/ HDWR FXD STD	CONTAINS HARDWARE FOR BOTH SIDES.
1-5B, 6-10	103543-002	BRKT GTX W/ HDWR FXD EXT	CONTAINS HARDWARE FOR BOTH SIDES.
12-13A	104770	FRM ALUM BKRST STD	
12-13B	104771	FRM ALUM BKRST TALL	

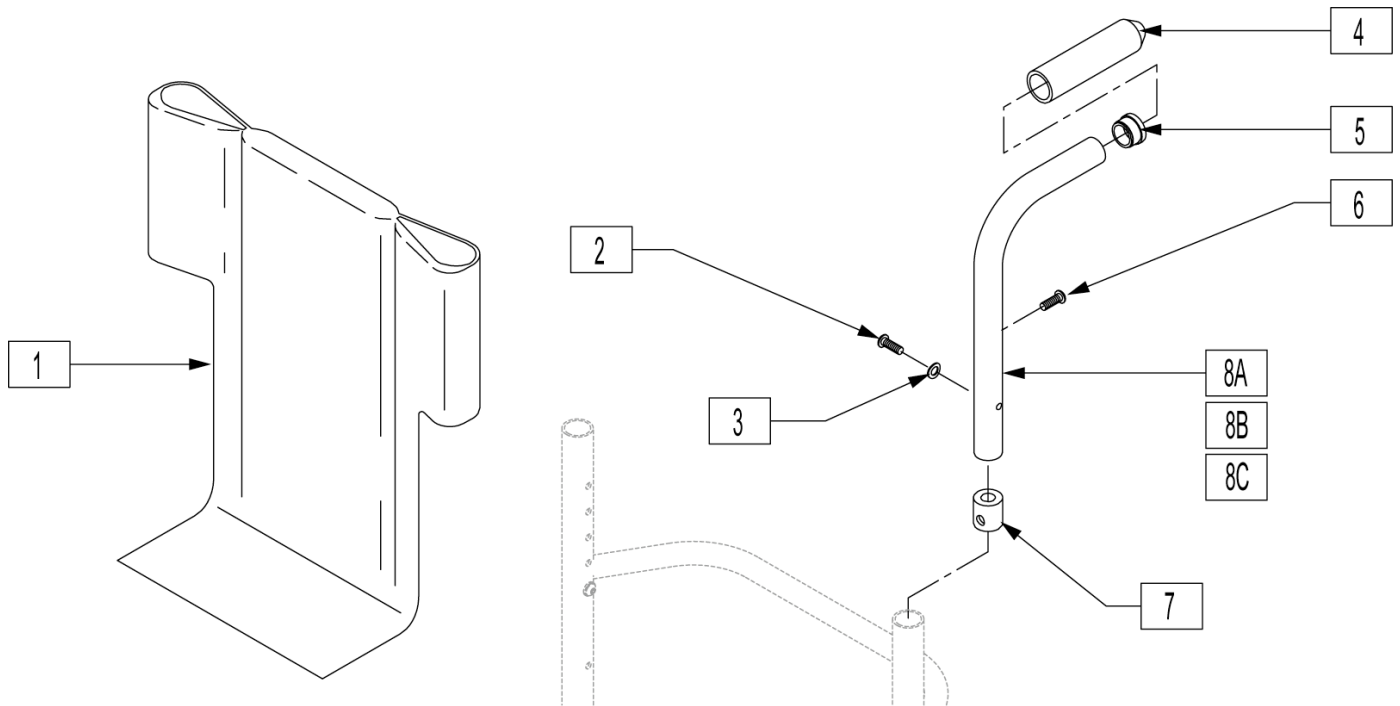
Note: for chairs built prior to July 20 2007 S/N F3-134556 you must replace both backrest brackets by ordering 103542-001 or 103542-002.



Pos.	Item Number	Description	Remarks
1	103470	WASHER PIVOT BACKREST	
2	050017	PIN PLUNGER BACKREST	
3	102262-007	BHCS M6 X 1 X 45 INORGANIC	
4	102262-002	BHCS M6 X 1 X 10 W/PL INORG	
5A	103490-003	BRACKET BACKREST 22MM	
5B	103490-004	BRACKET BACKREST 22MM EXT	For use with solid back insert
6	103679	SLEEVE BRACKET BACKREST .088	Used on non-heavy duty chairs
7	103238	CAM STOP BACKREST	
8	200113	NUT HEX NYLOCK M6 X 1 NUT	
9	250104	WASHER FLAT M6	
10	050020	SPRINGCOMP.312OD1.131G.025WSS	
11	342015	LANYARD ATTACH RING	
12	750060	BACK REL STRAP 12"-22" RIGID	

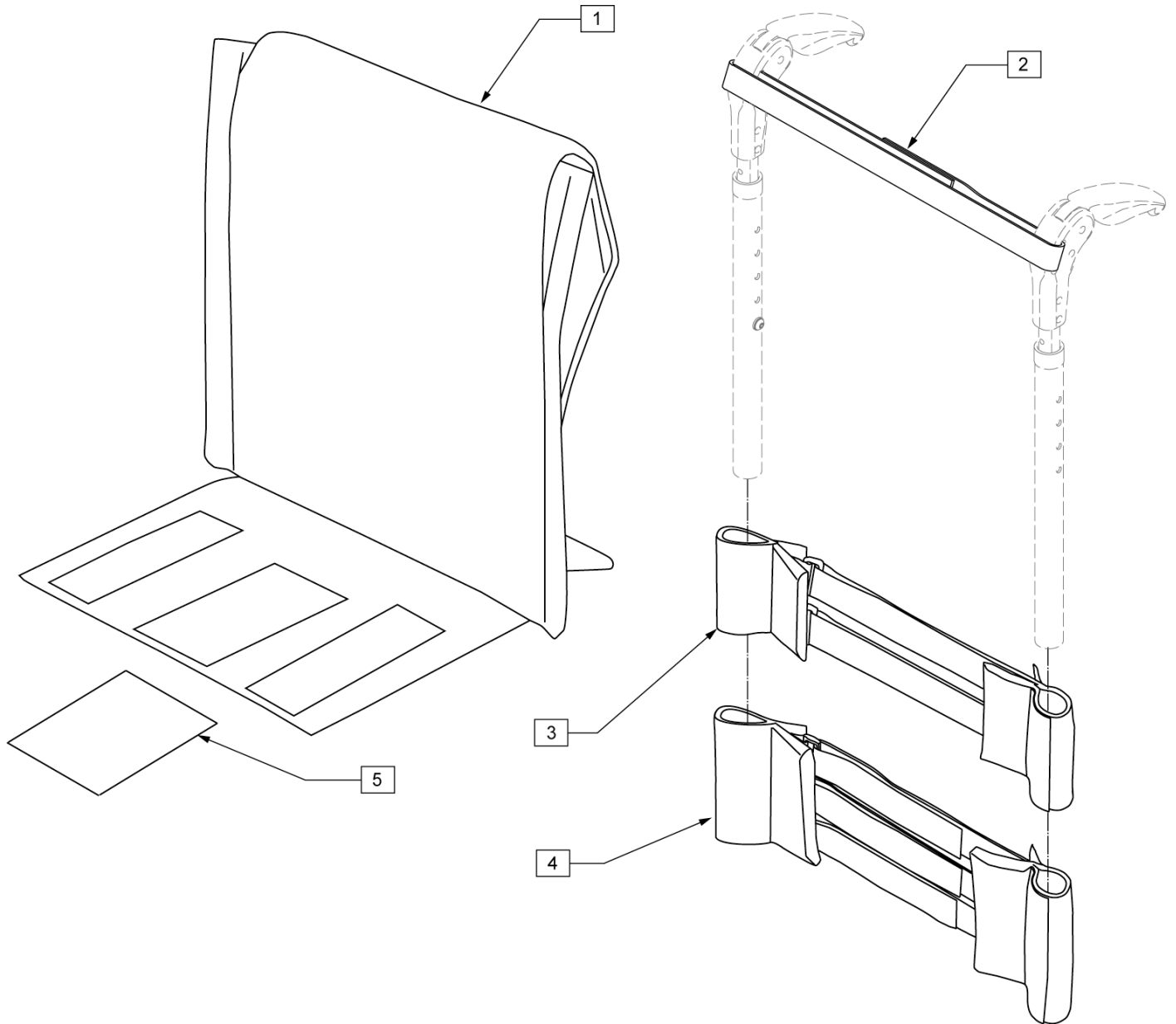
Pos.	Item Number	Description	Remarks
12	560221	BACK REL STRAP LOCK RIGID	
13	102262-008	BHCS M6 X 1 X 50 INORGANIC	
14	000_232_016	PLUNGER PIN LEVER	
15	103474	PLATE BACKREST LOCK DOWN	
16	561082	1" TUBE END BUSHING THIN	
17A	101302-003	TUBE BACKREST ALUM R STD BLK	10-14" & 12-16"
17A	101303-003	TUBE BACKREST ALUM L STD BLK	10-14" & 12-16"
17B	101302-004	TUBE BACKREST ALUM R TALL BLK	14-18" & 16-20"
17B	101303-004	TUBE BACKREST ALUM L TALL BLK	14-18" & 16-20"
17C	100863-001	TUBE BACKREST 3PT R STD	10-14" & 12-16"
17C	100864-001	TUBE BACKREST 3PT L STD	10-14" & 12-16"
17D	100863-002	TUBE BACKREST 3PT R TALL	14-18" & 16-20"
17D	100864-002	TUBE BACKREST 3PT L TALL	14-18" & 16-20"
4,8,9, 13-15	103538	LOCK DOWN BACKREST KIT	
1,3,4, 5A,6-9	103542-001	BRKT GTX W/HDWR FLDG STD	CONTAINS HARDWARE FOR BOTH SIDES.
1,3,4, 5A,6-9	103542-002	BRKT GTX W/HDWR FLDG EXT	CONTAINS HARDWARE FOR BOTH SIDES.





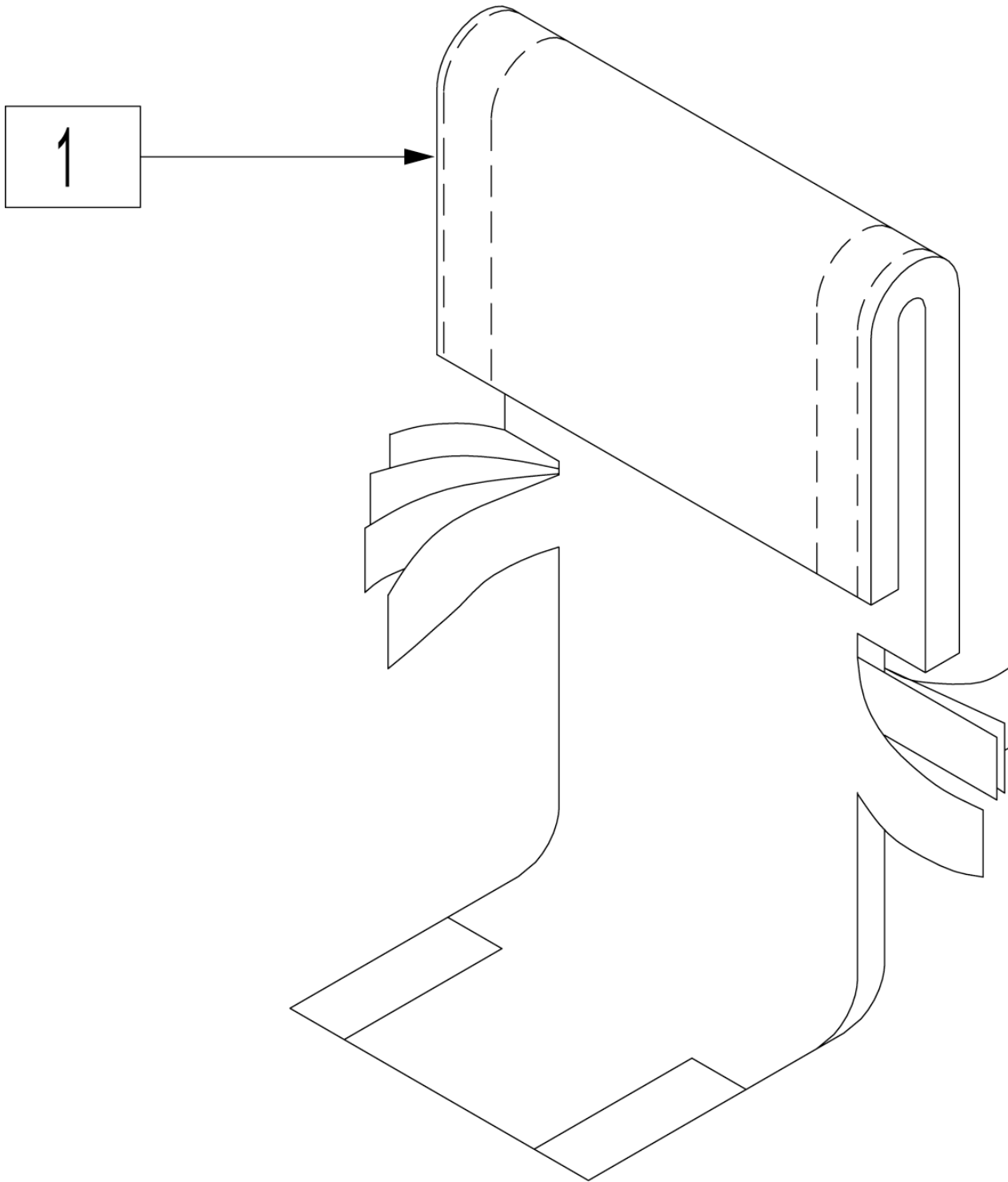
Pos.	Item Number	Description	Remarks
1	680442	BCK UPH 12" 11-14/12-16 RDG	
1	680443	BCK UPH 13" 11-14/12-16 RDG	
1	680454	BCK UPH 14" 11-14/12-16 RDG	
1	680455	BCK UPH 15" 11-14/12-16 RDG	
1	680456	BCK UPH 16" 11-14/12-16 RDG	
1	680457	BCK UPH 17" 11-14/12-16 RDG	
1	680458	BCK UPH 18" 11-14/12-16 RDG	
1	680459	BACK UPH 19" 11-14/12-16 RDG	
1	680460	BACK UPH 20" 11-14/12-16 RDG	
1	680462	BACK UPH 12" 14-18 RDG	
1	680463	BACK UPH 13" 14-18 RDG	
1	680464	BACK UPH 14" 14-18 RDG	
1	680465	BACK UPH 15" 14-18 RDG	
1	680466	BACK UPH 16" 14-18 RDG	
1	680467	BACK UPH 17" 14-18 RDG	
1	680468	BACK UPH 18" 14-18 RDG	
1	680469	BACK UPH 19" 14-18 RDG	
1	680470	BACK UPH 20" 14-18 RDG	
1	680472	BACK UPH 12" 16-20 RDG	
1	680473	BACK UPH 13" 16-20 RDG	
1	680474	BACK UPH 14" 16-20 RDG	
1	680475	BACK UPH 15" 16-20 RDG	
1	680476	BACK UPH 16" 16-20 RDG	
1	680477	BACK UPH 17" 16-20 RDG	
1	680478	BACK UPH 18" 16-20 RDG	
1	680479	BACK UPH 19" 16-20 RDG	
1	680480	BACK UPH 20" 16-20 RDG	

Pos.	Item Number	Description	Remarks
2	012933	BHCS M6 X 1 X 20MM	
3	262130	6mm WASHER WAVE	
4	920026	QUICKIE GRIP 3/4" W/INSTR SH.	
5	561000-QU	3/4" INSERT PLUG .083	
6	281122	10-32 X 3/4 PAN PHIL	
7	050019	PLUG BACKREST M6	
4,5,8A	880097	HGT ADJ STRLLR HNDL STD W/GRIP	10 -14" BACK HEIGHT
4,5,8B	880098	HGT ADJ STRLLR HNDL MED W/GRIP	12 -16" & 14 -18" BACK HEIGHT
4,5,8C	880099	HGT ADJ STRLLR HNDL TALL W/GR	16 -20" BACK HEIGHT
2-5,7,8A	050253	BACK ADJ PUSH HANDLE STD	10 -14" BACK HEIGHT
2-5,7,8B	050254	BACK ADJ PUSH HANDLE MED	12 -16" & 14 -18" BACK HEIGHT
2-5,7,8C	102093	BACK ADJ PUSH HANDLE TALL	16 -20" BACK HEIGHT



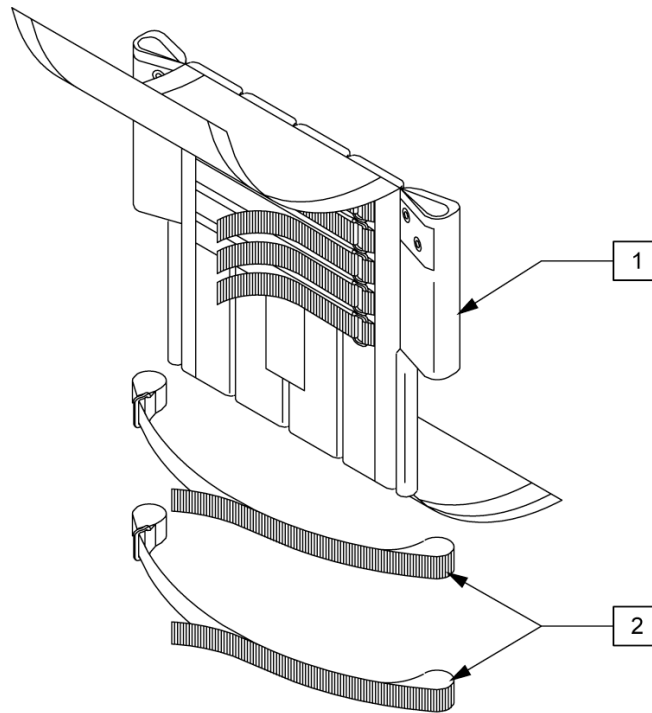
Pos.	Item Number	Description	Remarks	Pos.	Item Number	Description	Remarks
1	052430-001	UPH, VNTD ADJ.,BP,12WX10-14H		1	052430-011	UPH, VNTD ADJ.,BP,14WX14-18H	
1	052430-002	UPH, VNTD ADJ.,BP,12WX12-16H		1	052430-012	UPH, VNTD ADJ.,BP,14WX16-20H	
1	052430-003	UPH, VNTD ADJ.,BP,12WX14-18H		1	052430-013	UPH, VNTD ADJ.,BP,15WX10-14H	
1	052430-004	UPH, VNTD ADJ.,BP,12WX16-20H		1	052430-014	UPH, VNTD ADJ.,BP,15WX12-16H	
1	052430-005	UPH, VNTD ADJ.,BP,13WX10-14H		1	052430-015	UPH, VNTD ADJ.,BP,15WX14-18H	
1	052430-006	UPH, VNTD ADJ.,BP,13WX12-16H		1	052430-016	UPH, VNTD ADJ.,BP,15WX16-20H	
1	052430-007	UPH, VNTD ADJ.,BP,13WX14-18H		1	052430-017	UPH, VNTD ADJ.,BP,16WX10-14H	
1	052430-008	UPH, VNTD ADJ.,BP,13WX16-20H		1	052430-018	UPH, VNTD ADJ.,BP,16WX12-16H	
1	052430-009	UPH, VNTD ADJ.,BP,14WX10-14H		1	052430-019	UPH, VNTD ADJ.,BP,16WX14-18H	
1	052430-010	UPH, VNTD ADJ.,BP,14WX12-16H		1	052430-020	UPH, VNTD ADJ.,BP,16WX16-20H	

Pos.	Item Number	Description	Remarks	Pos.	Item Number	Description	Remarks
1	052430-021	UPH, VNTD ADJ.,BP,17WX10-14H		1	052430-036	UPH, VNTD ADJ.,BP,20WX16-20H	
1	052430-022	UPH, VNTD ADJ.,BP,17WX12-16H		2	052435-001	UPH, VNTD ADJ.,FHP STRP,12-13'W	
1	052430-023	UPH, VNTD ADJ.,BP,17WX14-18H		2	052435-002	UPH, VNTD ADJ.,FHP STRP,14-15'W	
1	052430-024	UPH, VNTD ADJ.,BP,17WX16-20H		2	052435-003	UPH, VNTD ADJ.,FHP STRP,16-17'W	
1	052430-025	UPH, VNTD ADJ.,BP,18WX10-14H		2	052435-004	UPH, VNTD ADJ.,FHP STRP,18-20'W	
1	052430-026	UPH, VNTD ADJ.,BP,18WX12-16H		3	052433-001	UPH, VNTD ADJ.,2S,W/G,12-13'W	
1	052430-027	UPH, VNTD ADJ.,BP,18WX14-18H		3	052433-002	UPH, VNTD ADJ.,2S,W/G,14-15'W	
1	052430-028	UPH, VNTD ADJ.,BP,18WX16-20H		3	052433-003	UPH, VNTD ADJ.,2S,W/G,16-17'W	
1	052430-029	UPH, VNTD ADJ.,BP,19WX10-14H		3	052433-004	UPH, VNTD ADJ.,2S,W/G,18-20'W	
1	052430-030	UPH, VNTD ADJ.,BP,19WX12-16H		4	052431-001	UPH, VNTD ADJ.,3S,W/G,12-13'W	
1	052430-031	UPH, VNTD ADJ.,BP,19WX14-18H		4	052431-002	UPH, VNTD ADJ.,3S,W/G,14-15'W	
1	052430-032	UPH, VNTD ADJ.,BP,19WX16-20H		4	052431-003	UPH, VNTD ADJ.,3S,W/G,16-17'W	
1	052430-033	UPH, VNTD ADJ.,BP,20WX10-14H		4	052431-004	UPH, VNTD ADJ.,3S,W/G,18-20'W	
1	052430-034	UPH, VNTD ADJ.,BP,20WX12-16H		5	100870	VELCRO, 2 SIDDED ADAPTER, 6'	
1	052430-035	UPH, VNTD ADJ.,BP,20WX14-18H					

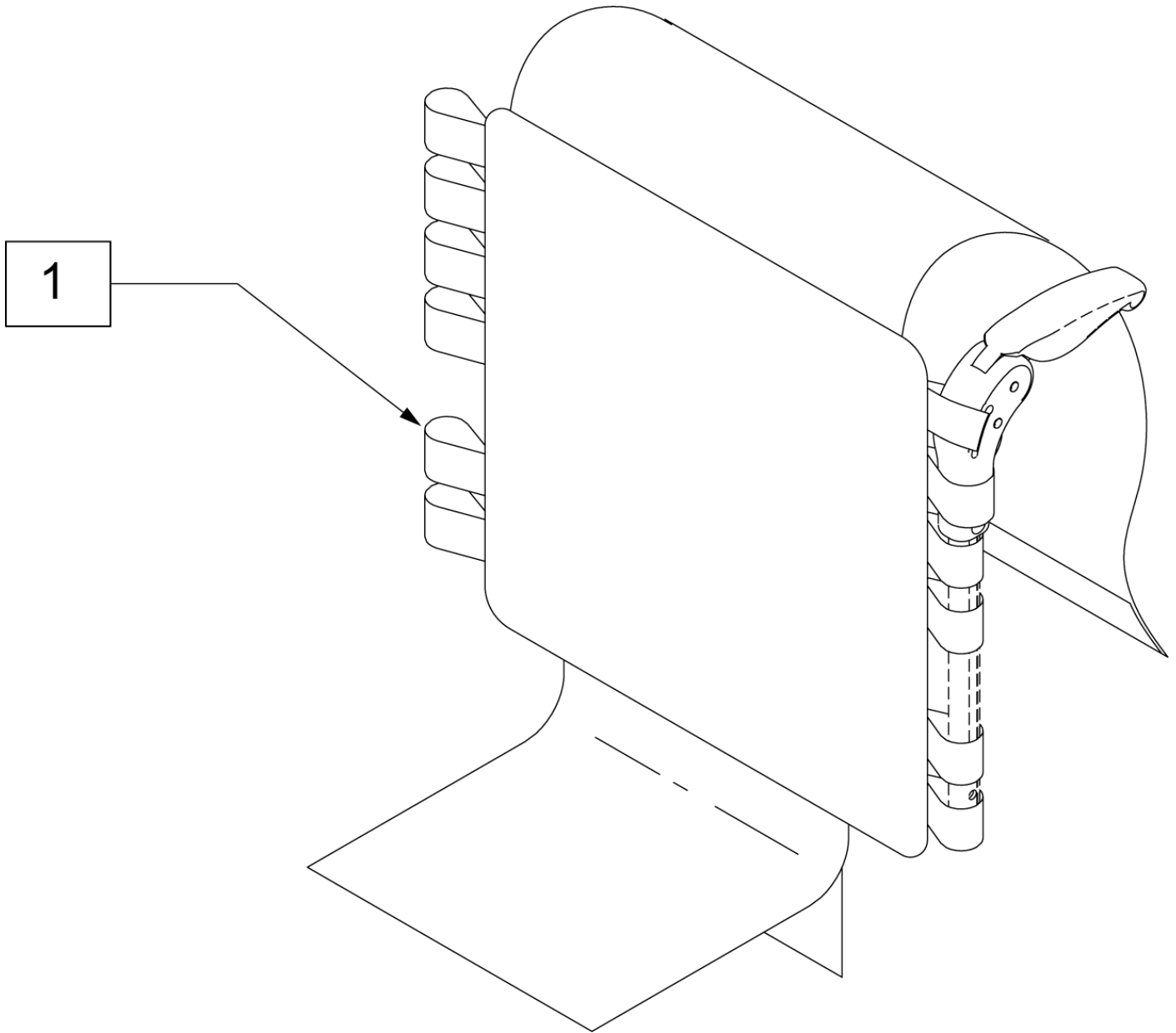


Pos.	Item Number	Description	Remarks
1	680208	BACK UPH 12" 11-15" W/TAIL	10-14 for Quickie GT&GTI
1	680201	BACK UPH 13" 11-15" W/TAIL	10-14 for Quickie GT&GTI
1	680301	BACK UPH 14" 11-15" W/TAIL	10-14 for Quickie GT&GTI
1	680401	BACK UPH 15" 11-15" W/TAIL	10-14 for Quickie GT&GTI

Pos.	Item Number	Description	Remarks
1	680501	BACK UPH 16" 11-15" W/TAIL	10-14 for Quickie GTX,GT&GTI
1	680601	BACK UPH 17" 11-15" W/TAIL	10-14 for Quickie GTX,GT&GTI
1	680701	BACK UPH 18" 11-15" W/TAIL	10-14 for Quickie GTX,GT&GTI
1	680801	BACK UPH 19" 11-15" W/TAIL	10-14 for QuickieGTX, GT&GTI
1	680901	BACK UPH 20" 11-15" W/TAIL	10-14 for Quickie GTX,GT&GTI
1	680209	BACK UPH 12" 12-16" W/TAIL	
1	680203	BACK UPH 13" 12-16" W/TAIL	
1	680303	BACK UPH 14" 12-16" W/TAIL	
1	680403	BACK UPH 15" 12-16" W/TAIL	
1	680503	BACK UPH 16" 12-16" W/TAIL	
1	680603	BACK UPH 17" 12-16" W/TAIL	
1	680703	BACK UPH 18" 12-16" W/TAIL	
1	680803	BACK UPH 19" 12-16" W/TAIL	
1	680903	BACK UPH 20" 12-16" W/TAIL	
1	680210	BACK UPH 12" 14-18" W/TAIL	
1	680205	BACK UPH 13" 14-18" W/TAIL	
1	680305	BACK UPH 14" 14-18" W/TAIL	
1	680405	BACK UPH 15" 14-18" W/TAIL	
1	680505	BACK UPH 16" 14-18" W/TAIL	
1	680605	BACK UPH 17" 14-18" W/TAIL	
1	680705	BACK UPH 18" 14-18" W/TAIL	
1	680805	BACK UPH 19" 14-18" W/TAIL	
1	680905	BACK UPH 20" 14-18" W/TAIL	
1	680211	BACK UPH 12" 16-20" W/TAIL	
1	680207	BACK UPH 13" 16-20" W/TAIL	
1	680307	BACK UPH 14" 16-20" W/TAIL	
1	680407	BACK UPH 15" 16-20" W/TAIL	
1	680507	BACK UPH 16" 16-20" W/TAIL	
1	680607	BACK UPH 17" 16-20" W/TAIL	
1	680707	BACK UPH 18" 16-20" W/TAIL	
1	680807	BACK UPH 19" 16-20" W/TAIL	
1	680907	BACK UPH CUSTOM Q1/GP F BCK	



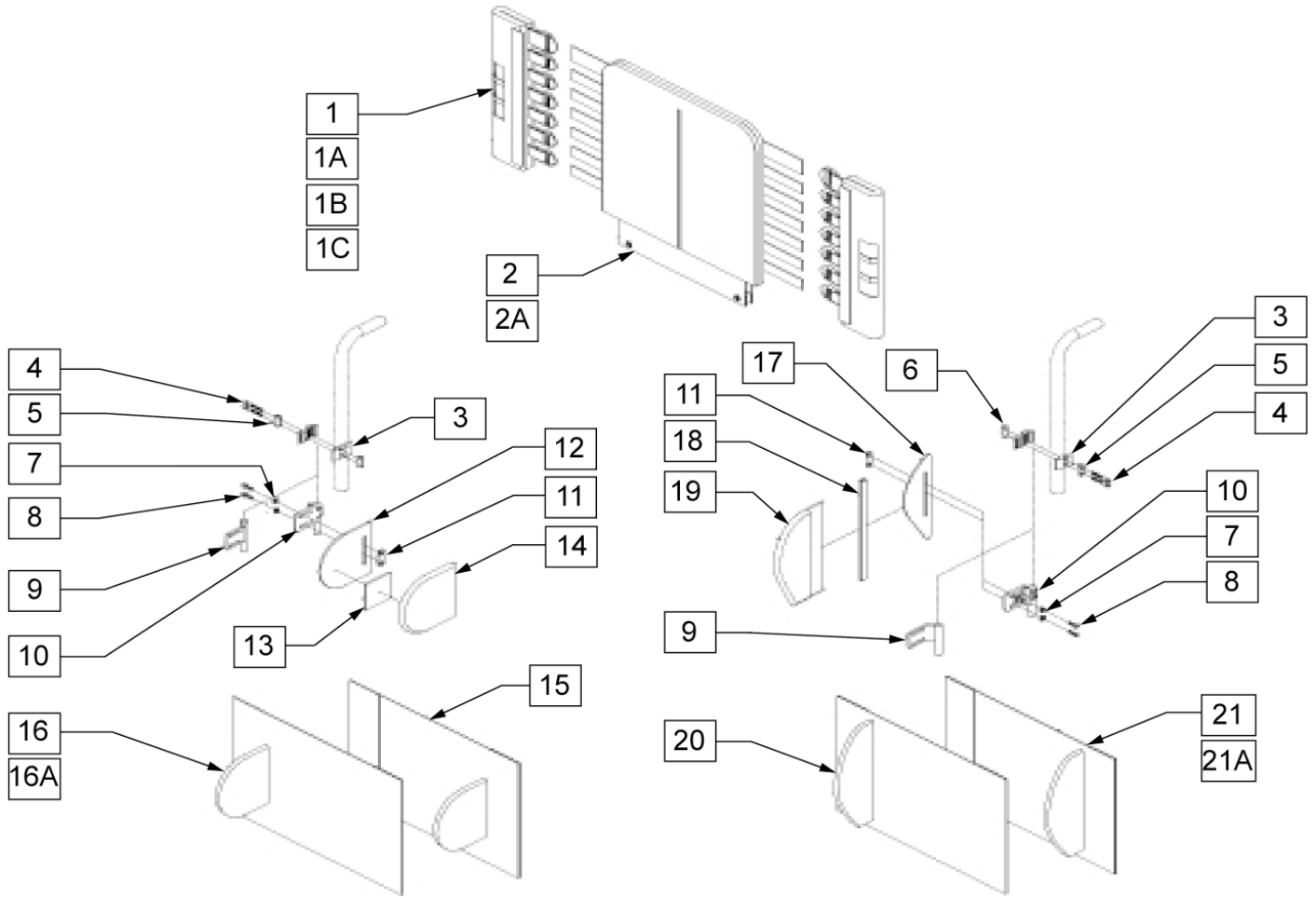
Pos.	Item Number	Description	Remarks
1,2	684017	ADJ BACK UPH 12" LOW	10 -14" BACK HEIGHT
1,2	684027	ADJ BACK UPH 13" LOW	10 -14" BACK HEIGHT
1,2	684037	ADJ BACK UPH 14" LOW	10 -14" BACK HEIGHT
1,2	684047	ADJ BACK UPH 15" LOW	10 -14" BACK HEIGHT
1,2	684057	ADJ BACK UPH 16" LOW	10 -14" BACK HEIGHT
1,2	684067	ADJ BACK UPH 17" LOW	10 -14" BACK HEIGHT
1,2	684077	ADJ BACK UPH 18" LOW	10 -14" BACK HEIGHT
1,2	684087	ADJ BACK UPH 19" LOW	10 -14" BACK HEIGHT
1,2	684097	ADJ BACK UPH 20" LOW	10 -14" BACK HEIGHT
1,2	684018	ADJ BACK UPH 12" MED	12 -16" & 14 -18" BACK HEIGHT
1,2	684028	ADJ BACK UPH 13" MED	12 -16" & 14 -18" BACK HEIGHT
1,2	684038	ADJ BACK UPH 14" MED	12 -16" & 14 -18" BACK HEIGHT
1,2	684048	ADJ BACK UPH 15" MED	12 -16" & 14 -18" BACK HEIGHT
1,2	684058	ADJ BACK UPH 16" MED	12 -16" & 14 -18" BACK HEIGHT
1,2	684068	ADJ BACK UPH 17" MED	12 -16" & 14 -18" BACK HEIGHT
1,2	684078	ADJ BACK UPH 18" MED	12 -16" & 14 -18" BACK HEIGHT
1,2	684088	ADJ BACK UPH 19" MED	12 -16" & 14 -18" BACK HEIGHT
1,2	684098	ADJ BACK UPH 20" MED	12 -16" & 14 -18" BACK HEIGHT
1,2	684019	ADJ BACK UPH 12" TALL	16 -20" BACK HEIGHT
1,2	684029	ADJ BACK UPH 13" TALL	16 -20" BACK HEIGHT
1,2	684039	ADJ BACK UPH 14" TALL	16 -20" BACK HEIGHT
1,2	684049	ADJ BACK UPH 15" TALL	16 -20" BACK HEIGHT
1,2	684059	ADJ BACK UPH 16" TALL	16 -20" BACK HEIGHT
1,2	684069	ADJ BACK UPH 17" TALL	16 -20" BACK HEIGHT
1,2	684079	ADJ BACK UPH 18" TALL	16 -20" BACK HEIGHT
1,2	684089	ADJ BACK UPH 19" TALL	16 -20" BACK HEIGHT
1,2	684099	ADJ BACK UPH 20" TALL	16 -20" BACK HEIGHT



Pos.	Item Number	Description	Remarks
1	687457	Upholstery, FPH, Adj, CE, 12W X 12H	12-16" Back Ht
1	687458	Upholstery, FPH, Adj, CE, 12W X 14H	14-18" Back Ht
1	687459	Upholstery, FPH, Adj, CE, 12W X 16H	16-20" Back Ht
1	687462	Upholstery, FPH, Adj, CE, 13W X 12H	12-16" Back Ht
1	687464	Upholstery, FPH, Adj, CE, 13W X 14H	14-18" Back Ht
1	687465	Upholstery, FPH, Adj, CE, 13W X 16H	16-20" Back Ht
1	687468	Upholstery, FPH, Adj, CE, 14W X 12H	12-16" Back Ht
1	687470	Upholstery, FPH, Adj, CE, 14W X 14H	14-18" Back Ht
1	687471	Upholstery, FPH, Adj, CE, 14W X 16H	16-20" Back Ht
1	687474	Upholstery, FPH, Adj, CE, 15W X 12H	12-16" Back Ht
1	687476	Upholstery, FPH, Adj, CE, 15W X 14H	14-18" Back Ht
1	687477	Upholstery, FPH, Adj, CE, 15W X 16H	16-20" Back Ht
1	687480	Upholstery, FPH, Adj, CE, 16W X 12H	12-16" Back Ht
1	687482	Upholstery, FPH, Adj, CE, 16W X 14H	14-18" Back Ht



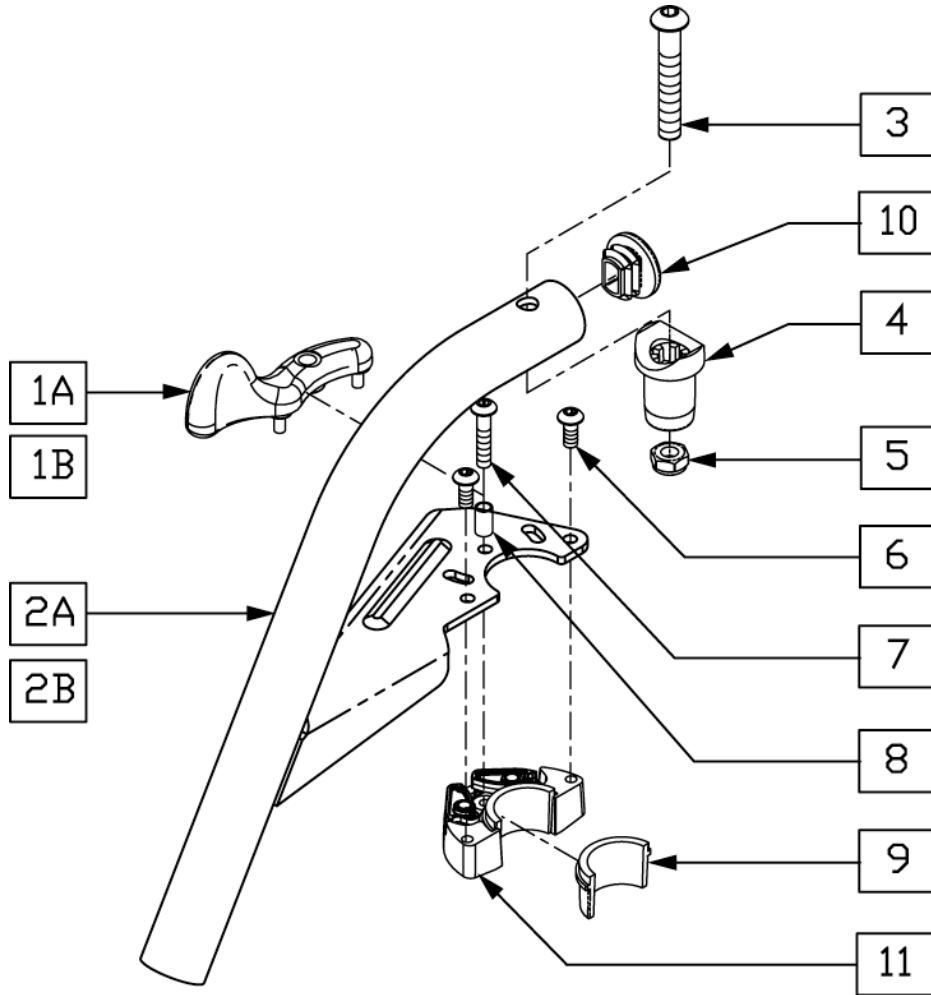
<b>Pos.</b>	<b>Item Number</b>	<b>Description</b>	<b>Remarks</b>
1	687483	Upholstery, FPH, Adj, CE, 16W X 16H	16-20" Back Ht
1	687486	Upholstery, FPH, Adj, CE, 17W X 12H	12-16" Back Ht
1	687488	Upholstery, FPH, Adj, CE, 17W X 14H	14-18" Back Ht
1	687489	Upholstery, FPH, Adj, CE, 17W X 16H	16-20" Back Ht
1	687492	Upholstery, FPH, Adj, CE, 18W X 12H	12-16" Back Ht
1	687494	Upholstery, FPH, Adj, CE, 18W X 14H	14-18" Back Ht
1	687495	Upholstery, FPH, Adj, CE, 18W X 16H	16-20" Back Ht
1	687541	Upholstery, FPH, Adj, CE, 19W X 12H	12-16" Back Ht
1	687542	Upholstery, FPH, Adj, CE, 19W X 14H	14-18" Back Ht
1	687543	Upholstery, FPH, Adj, CE, 19W X 16H	16-20" Back Ht
1	687545	Upholstery, FPH, Adj, CE, 20W X 12H	12-16" Back Ht
1	687546	Upholstery, FPH, Adj, CE, 20W X 14H	14-18" Back Ht
1	687547	Upholstery, FPH, Adj, CE, 20W X 16H	16-20" Back Ht



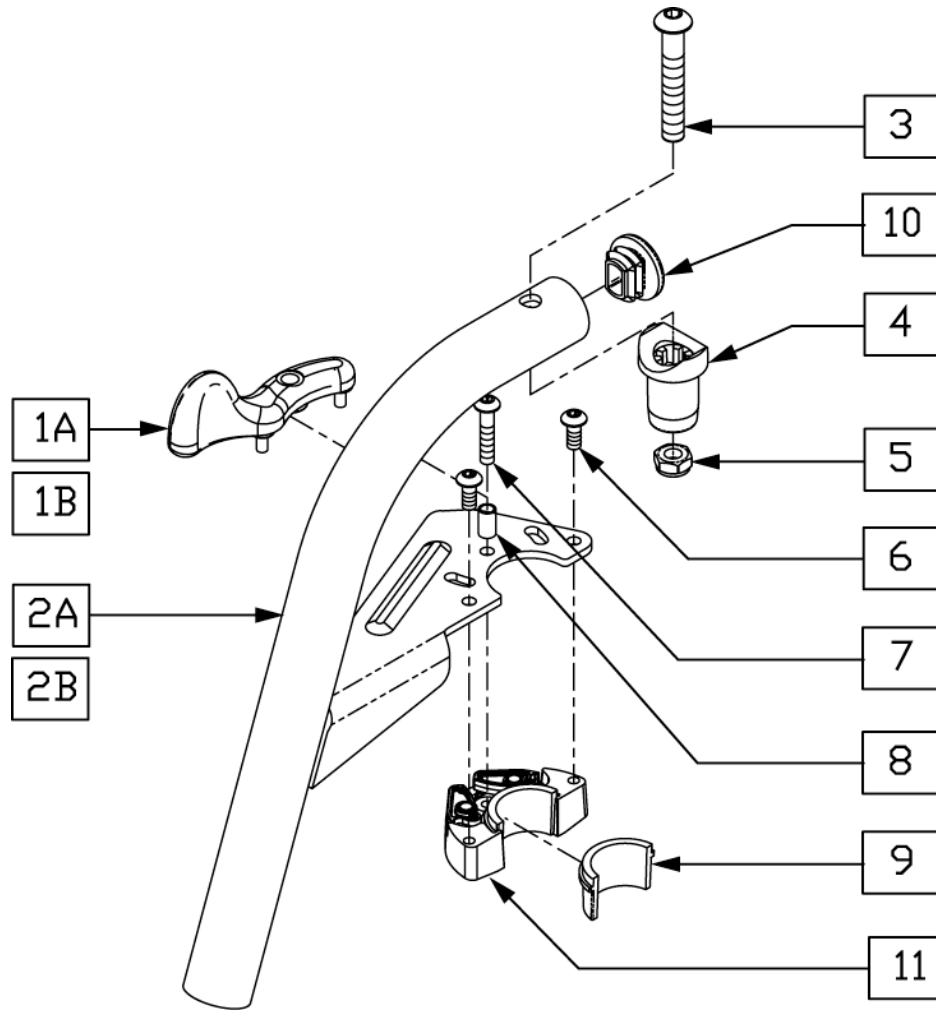
Pos.	Item Number	Description	Remarks
1A	683358	JAY BACK UPH BACK CANE COVER MEDIUM	LEFT
1A	683360	JAY BACK UPH BACK CANE COVER MEDIUM	RIGHT
1B	683357	JAY BACK UPH BACK CANE COVER TALL	LEFT
1B	683359	JAY BACK UPH BACK CANE COVER TALL	RIGHT
1C	683362	JAY BACK UPH BACK CANE COVER NO LATERAL MEDIUM	LEFT
1C	683364	JAY BACK UPH BACK CANE COVER NO LATERAL MEDIUM	RIGHT
1D	683361	JAY BACK UPH BACK CANE COVER NO LATERAL TALL	LEFT
1D	683363	JAY BACK UPH BACK CANE COVER NO LATERAL TALL	RIGHT
2A	683305	JAY BACK UPH 14W MEDIUM	
2A	683307	JAY BACK UPH 15W MEDIUM	
2A	683309	JAY BACK UPH 16W MEDIUM	
2A	683311	JAY BACK UPH 17W MEDIUM	
2A	683313	JAY BACK UPH 18W MEDIUM	
2A	683315	JAY BACK UPH 19W MEDIUM	
2A	683317	JAY BACK UPH 20W MEDIUM	
2B	683306	JAY BACK UPH 14W TALL	
2B	683308	JAY BACK UPH 15W TALL	
2B	683310	JAY BACK UPH 16W TALL	
2B	683312	JAY BACK UPH 17W TALL	
2B	683314	JAY BACK UPH 18W TALL	
2B	683316	JAY BACK UPH 19W TALL	
2B	683318	JAY BACK UPH 20W TALL	

Pos.	Item Number	Description	Remarks
3	481800	UNI LATERAL BRKT JAY PRECISION	
4	226353	10-32 X 1 1/2 SOC HD C/S W/PL	
5	481810	UNI LATERAL BRKT SCR ROLL PIN	
6	481811	LATERAL BRKT PREC THD-ROLL PIN	
7	261204	#10 AN WASHER .063	
8	226043	10-32 x 1/2 BH C/S BL	
9	541144	LATERAL BRKT 1.5 W WLDMNT	RIGHT
9	541145	LATERAL BRKT 1.5 W WLDMNT	LEFT
10	881738	S/A ASSM JAY PRECISION	RIGHT
10	881739	S/A ASSM JAY PRECISION	LEFT
11	881109	1 NUT PLATE W/THREADED INSERT	
12	500914	SYMMETRIC LATERAL PANEL	Size 5"X5"
13	751314	2 x 2 VELCRO LOOP	
14	B672	BASE EXTENDED LATERAL	
17	501140	ASYMMETRIC LATERAL PANEL	Size 10"X3.25"
18	697100	ASYMMETRIC LATERAL PANEL EDGE TRIM	
19	683319	JAY BACK UPH INT LATERAL COVER ASYMMETRIC	LEFT
19	683320	JAY BACK UPH INT LATERAL COVER ASYMMETRIC	RIGHT
3-6	880959	UNI LATERAL CLAMP ASSM	
20,21	923300	JAY BACK EXTENSION LATERAL COVER ASYMMETRIC 14-16	
20,21	923301	JAY BACK EXTENSION LATERAL COVER ASYMMETRIC 17-20	
15,16	923302	JAY BACK EXTENSION LATERAL COVER SYMMETRIC 14-16	
15,16	923303	JAY BACK EXTENSION LATERAL COVER SYMMETRIC 17-20	
1C,2	682520	JAY MEDIUM BACK UPH 14 W/O LATERAL	
1C,2	682521	JAY MEDIUM BACK UPH 15 W/O LATERAL	
1C,2	682522	JAY MEDIUM BACK UPH 16 W/O LATERAL	
1C,2	682523	JAY MEDIUM BACK UPH 17 W/O LATERAL	
1C,2	682524	JAY MEDIUM BACK UPH 18 W/O LATERAL	
1C,2	682525	JAY MEDIUM BACK UPH 19 W/O LATERAL	
1C,2	682526	JAY MEDIUM BACK UPH 20 W/O LATERAL	
1D,2B	682527	JAY TALL BACK UPH 14 W/O LATERAL	
1D,2B	682528	JAY TALL BACK UPH 15 W/O LATERAL	
1D,2B	682529	JAY TALL BACK UPH 16 W/O LATERAL	
1D,2B	682530	JAY TALL BACK UPH 17 W/O LATERAL	
1D,2B	682531	JAY TALL BACK UPH 18 W/O LATERAL	
1D,2B	682532	JAY TALL BACK UPH 19 W/O LATERAL	
1D,2B	682533	JAY TALL BACK UPH 20 W/O LATERAL	
1A,2A,3-8,10-16	682534	JAY MEDIUM BACK UPH 14 W/ FIX SYMMETRIC LATERAL	
1A,2A,3-8,10-16	682535	JAY MEDIUM BACK UPH 15 W/ FIX SYMMETRIC LATERAL	
1A,2A,3-8,10-16	682536	JAY MEDIUM BACK UPH 16 W/ FIX SYMMETRIC LATERAL	
1A,2A,3-8,10-16	682537	JAY MEDIUM BACK UPH 17 W/ FIX SYMMETRIC LATERAL	
1A,2A,3-8,10-16	682538	JAY MEDIUM BACK UPH 18 W/ FIX SYMMETRIC LATERAL	
1A,2A,3-8,10-16	682539	JAY MEDIUM BACK UPH 19 W/ FIX SYMMETRIC LATERAL	
1A,2A,3-8,10-16	682540	JAY MEDIUM BAC KUPH 20 W/ FIX SYMMETRIC LATERAL	
1A,2A,3-9,11-16	682541	JAY MEDIUM BACK UPH 14 W/ S/A SYMMETRIC LATERAL	
1A,2A,3-9,11-16	682542	JAY MEDIUM BACK UPH 15 W/ S/A SYMMETRIC LATERAL	
1A,2A,3-9,11-16	682543	JAY MEDIUM BACK UPH 16 W/ S/A SYMMETRIC LATERAL	
1A,2A,3-9,11-16	682544	JAY MEDIUM BACK UPH 17 W/ S/A SYMMETRIC LATERAL	
1A,2A,3-9,11-16	682545	JAY MEDIUM BACK UPH 18 W/ S/A SYMMETRIC LATERAL	
1A,2A,3-9,11-16	682546	JAY MEDIUM BACK UPH 19 W/ S/A SYMMETRIC LATERAL	
1A,2A,3-9,11-16	682547	JAY MEDIUM BACK UPH 20 W/ S/A SYMMETRIC LATERAL	
1B,2B,3-9,11-16	682562	JAY TALL BACK UPH 14 W/ FIX SYMMETRIC LATERAL	
1B,2B,3-9,11-16	682563	JAY TALL BACK UPH 15 W/ FIX SYMMETRIC LATERAL	
1B,2B,3-9,11-16	682564	JAY TALL BACK UPH 16 W/ FIX SYMMETRIC LATERAL	
1B,2B,3-9,11-16	682565	JAY TALL BACK UPH 17 W/ FIX SYMMETRIC LATERAL	
1B,2B,3-9,11-16	682566	JAY TALL BACK UPH 18 W/ FIX SYMMETRIC LATERAL	
1B,2B,3-9,11-16	682567	JAY TALL BACK UPH 19 W/ FIX SYMMETRIC LATERAL	

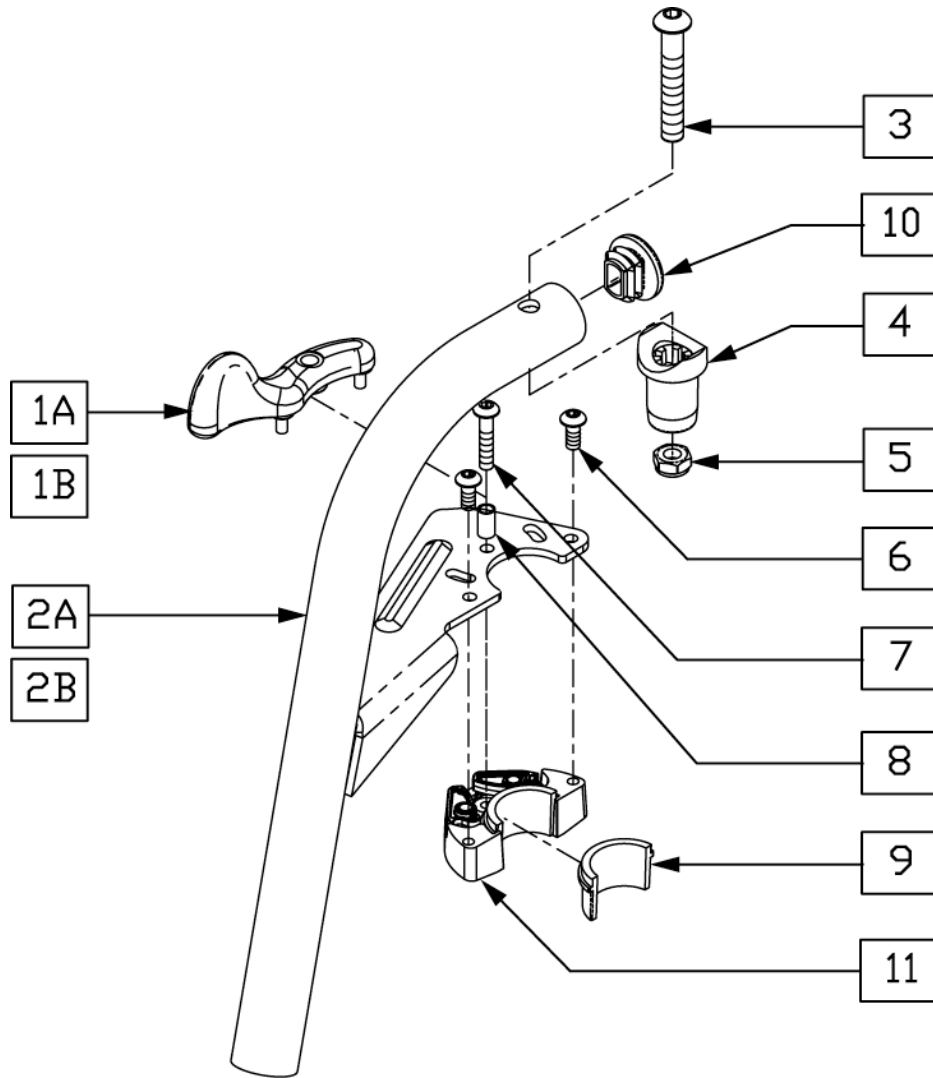
Pos.	Item Number	Description	Remarks
1B,2B,3-9,11-16	682568	JAY TALL BACK UPH 20 W/ FIX SYMMETRIC LATERAL	
1B,2B,3-8,10-16	682569	JAY TALL BACK UPH 14 W/ S/A SYMMETRIC LATERAL	
1B,2B,3-8,10-16	682570	JAY TALL BACK UPH 15 W/ S/A SYMMETRIC LATERAL	
1B,2B,3-8,10-16	682571	JAY TALL BACK UPH 16 W/ S/A SYMMETRIC LATERAL	
1B,2B,3-8,10-16	682572	JAY TALL BACK UPH 17 W/ S/A SYMMETRIC LATERAL	
1B,2B,3-8,10-16	682573	JAY TALL BACK UPH 18 W/ S/A SYMMETRIC LATERAL	
1B,2B,3-8,10-16	682574	JAY TALL BACK UPH 19 W/ S/A SYMMETRIC LATERAL	
1B,2B,3-8,10-16	682575	JAY TALL BACK UPH 20 W/ S/A SYMMETRIC LATERAL	
1A,2A,3-9,11,17-21	682576	JAY TALL BACK UPH 14 W/ FIX ASYMMETRIC LATERAL	
1A,2A,3-9,11,17-21	682577	JAY TALL BACK UPH 15 W/ FIX ASYMMETRIC LATERAL	
1A,2A,3-9,11,17-21	682578	JAY TALL BACK UPH 16 W/ FIX ASYMMETRIC LATERAL	
1A,2A,3-9,11,17-21	682579	JAY TALL BACK UPH 17 W/ FIX ASYMMETRIC LATERAL	
1A,2A,3-9,11,17-21	682580	JAY TALL BACK UPH 18 W/ FIX ASYMMETRIC LATERAL	
1A,2A,3-9,11,17-21	682581	JAY TALL BACK UPH 19 W/ FIX ASYMMETRIC LATERAL	
1A,2A,3-9,11,17-21	682582	JAY TALL BACK UPH 20 W/ FIX ASYMMETRIC LATERAL	
1A,2A,3-11,17-21	682583	JAY TALL BACK UPH 14 W/ S/A ASYMMETRIC LATERAL	
1A,2A,3-11,17-21	682584	JAY TALL BACK UPH 15 W/ S/A ASYMMETRIC LATERAL	
1A,2A,3-11,17-21	682585	JAY TALL BACK UPH 16 W/ S/A ASYMMETRIC LATERAL	
1A,2A,3-11,17-21	682586	JAY TALL BACK UPH 17 W/ S/A ASYMMETRIC LATERAL	
1A,2A,3-11,17-21	682587	JAY TALL BACK UPH 18 W/ S/A ASYMMETRIC LATERAL	
1A,2A,3-11,17-21	682588	JAY TALL BACK UPH 19 W/ S/A ASYMMETRIC LATERAL	
1A,2A,3-11,17-21	682589	JAY TALL BACK UPH 20 W/ S/A ASYMMETRIC LATERAL	



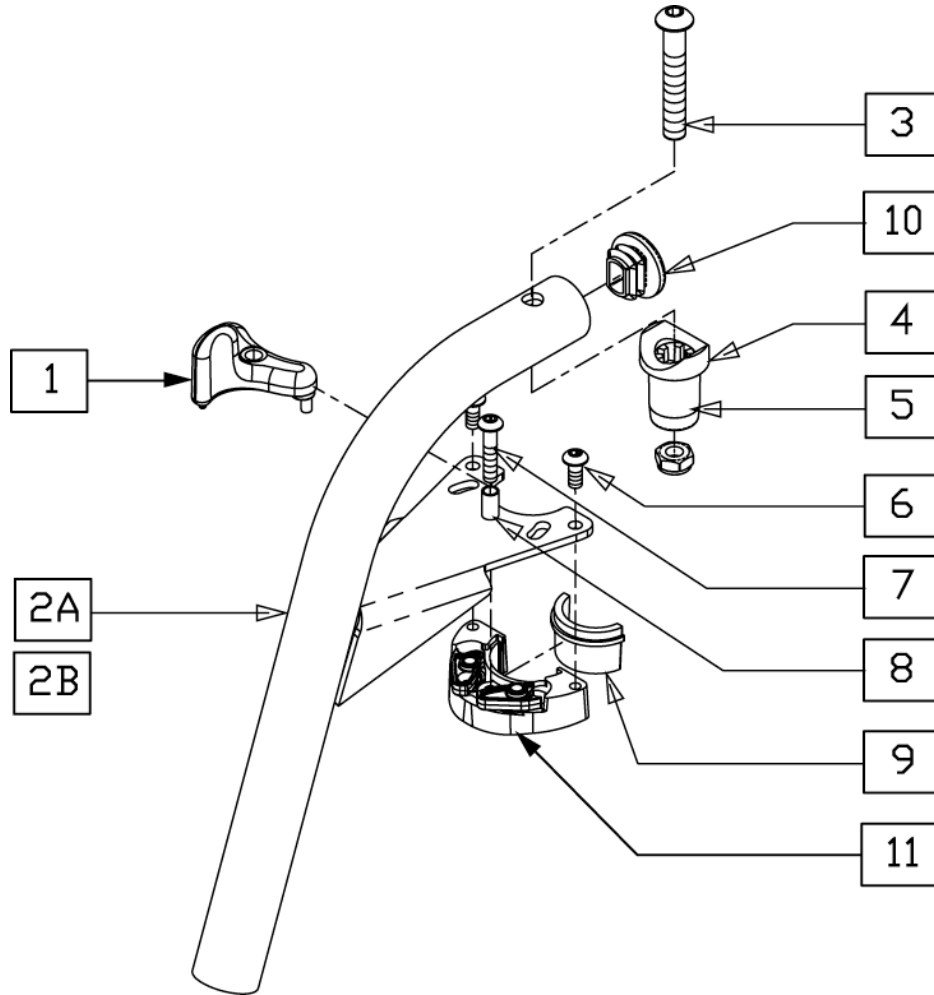
Pos.	Item Number	Description	Remarks
1A	052296	SWING I/O LATCH LEVER R w/pins	
1B	052297	SWING I/O LATCH LEVER L w/pins	
2A	052260	HNGR WLDMNT SWNG I/O D2 60D	RIGHT
2B	052259	HNGR WLDMNT SWNG I/O D2 60D	LEFT
3	226198	5/16-18 X 2 BH C/S SHT THREAD	
4	561197	PLASTIC PIVOT SADDLE	
5	202102	5/16-18 NYLOCK NUT THIN	
6	013142	BHCS M5 X .8 X 12 BLK W/PL	
7	230494	M5-30 BTTN HD SOC C/S BLK	
8	052054	BUSHING PIVOT HANGER SWING I/O	
9	483282	S/A LATCH BLOCK CASTING INSERT	
10	561378	END PLUG DBL "D" S525	
6,9,11	101141	SWING I/O LATCH BLOCK ASSY	
1A,2A,3-11	101143	60D SWING I/O HNGR ASSY	RIGHT
1B,2B,3-11	101144	60D SWING I/O HNGR ASSY	LEFT



Pos.	Item Number	Description	Remarks
1A	052296	SWING I/O LATCH LEVER R w/pins	
1B	052297	SWING I/O LATCH LEVER L w/pins	
2A	052290	HNGR WLDMNT SWNG I/O D2 70D	RIGHT
2B	052291	HNGR WLDMNT SWNG I/O D2 70D	LEFT
3	226198	5/16-18 X 2 BH C/S SHT THREAD	
4	561197	PLASTIC PIVOT SADDLE	
5	202102	5/16-18 NYLOCK NUT THIN	
6	013142	BHCS M5 X .8 X 12 BLK W/PL	
7	230494	M5-30 BTTN HD SOC C/S BLK	
8	052054	BUSHING PIVOT HANGER SWING I/O	
9	483282	S/A LATCH BLOCK CASTING INSERT	
10	561378	END PLUG DBL "D" S525	
6,9,11	101141	SWING I/O LATCH BLOCK ASSY	
1A,2A,3-11	101145	70D SWING I/O HNGR ASSY	RIGHT
1B,2B,3-11	101146	70D SWING I/O HNGR ASSY	LEFT

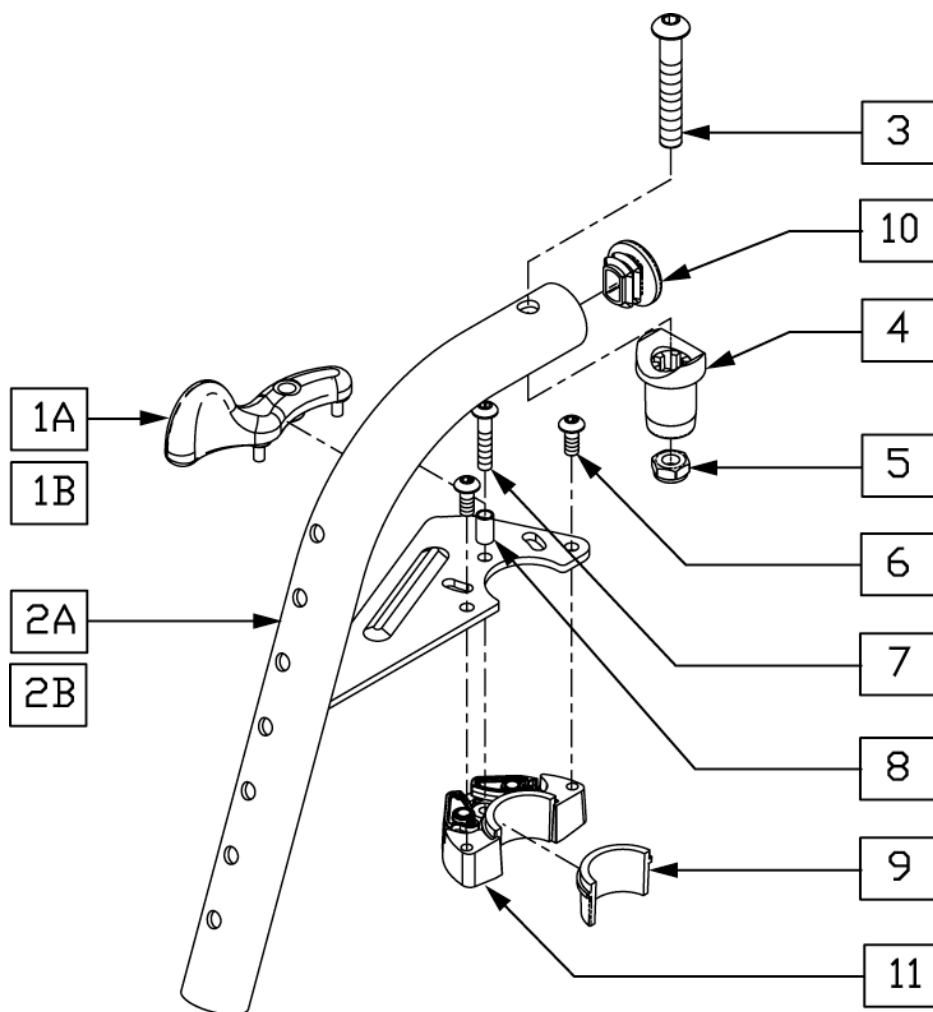


Pos.	Item Number	Description	Remarks
1A	052296	SWING I/O LATCH LEVER R w/pins	
1B	052297	SWING I/O LATCH LEVER L w/pins	
2A	052262	HGR WLDMNT SWNG I/O V D2 70D	RIGHT
2B	052261	HGR WLDMNT SWNG I/O V D2 70D	LEFT
3	226198	5/16-18 X 2 BH C/S SHT THREAD	
4	561197	PLASTIC PIVOT SADDLE	
5	202102	5/16-18 NYLOCK NUT THIN	
6	013142	BHCS M5 X .8 X 12 BLK W/PL	
7	230494	M5-30 BTTN HD SOC C/S BLK	
8	052054	BUSHING PIVOT HANGER SWING I/O	
9	483282	S/A LATCH BLOCK CASTING INSERT	
10	561378	END PLUG DBL "D" S525	
6,9,11	101141	SWING I/O LATCH BLOCK ASSY	
1A,2A,3-11	101147	70D V SWING I/O HNGR ASSY	RIGHT
1B,2B,3-11	101148	70D V SWING I/O HNGR ASSY	LEFT

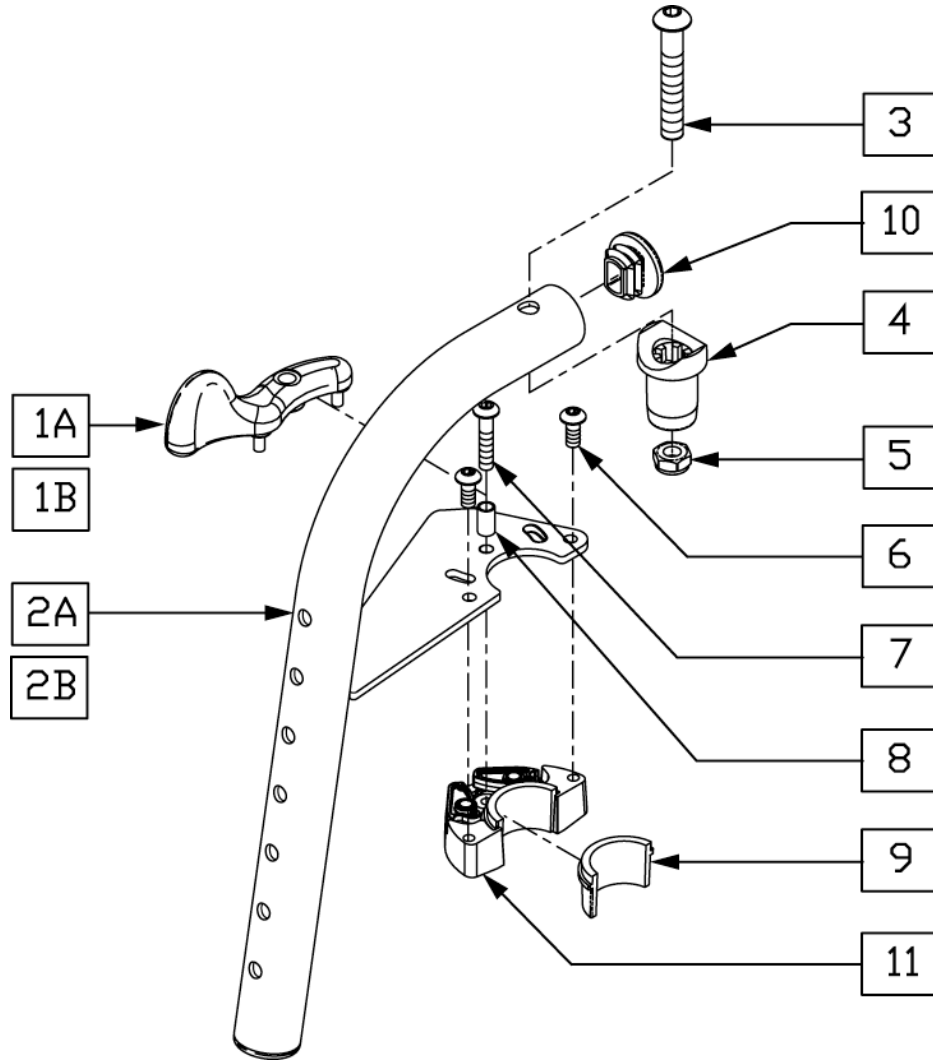


Pos.	Item Number	Description	Remarks
1	052234	SWING I/O LATCH LEVER HEMI w/pins	
2A	052242	HANGER WELDMENT HEMI D2 70D	RIGHT
2B	052243	HANGER WELDMENT HEMI D2 70D	LEFT
3	226198	5/16-18 X 2 BH C/S SHT THREAD	
4	561197	PLASTIC PIVOT SADDLE	
5	202102	5/16-18 NYLOCK NUT THIN	
6	013142	BHCS M5 X .8 X 12 BLK W/PL	
7	230494	M5-30 BTTN HD SOC C/S BLK	
8	052054	BUSHING PIVOT HANGER SWING I/O	
9	483282	S/A LATCH BLOCK CASTING INSERT	
10	561378	END PLUG DBL "D" S525	
6,9,11	101141	SWING I/O LATCH BLOCK ASSY	
1,2A,3-11	101151	70D HEMI SWNG I/O HNGR ASSY	RIGHT
1,2B,3-11	101152	70D HEMI SWNG I/O HNGR ASSY	LEFT

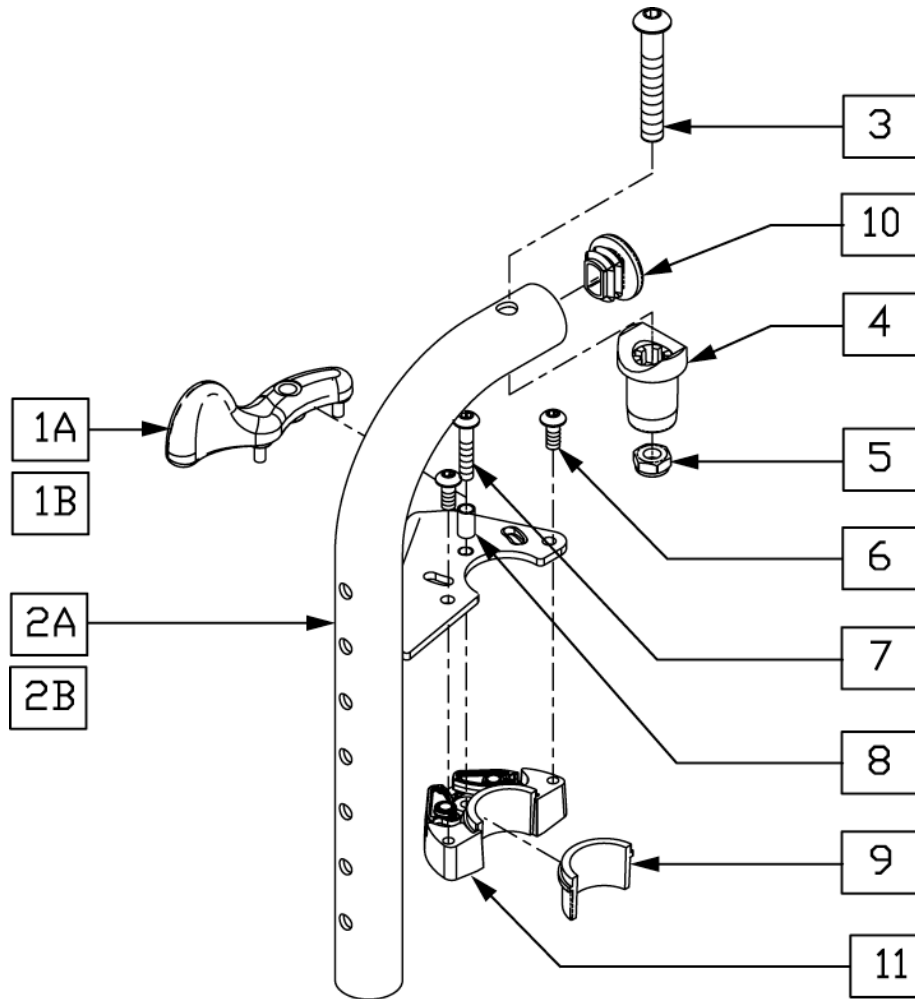




Pos.	Item Number	Description	Remarks
1A	052296	SWING I/O LATCH LEVER R w/pins	
1B	052297	SWING I/O LATCH LEVER L w/pins	
2A	052264	HNGR WLDMT FRT MT SWG I/O 70	RIGHT
2B	052263	HNGR WLDMT FRT MT SWG I/O 70	LEFT
3	226198	5/16-18 X 2 BH C/S SHT THREAD	
4	561197	PLASTIC PIVOT SADDLE	
5	202102	5/16-18 NYLOCK NUT THIN	
6	013142	BHCS M5 X .8 X 12 BLK W/PL	
7	230494	M5-30 BTTN HD SOC C/S BLK	
8	052054	BUSHING PIVOT HANGER SWING I/O	
9	483282	S/A LATCH BLOCK CASTING INSERT	
10	561378	END PLUG DBL "D" S525	
6,9,11	101141	SWING I/O LATCH BLOCK ASSY	
1A,2A,3-11	101153	70D FM SWNG I/O HNGR ASSY	RIGHT
1B,2B,3-11	101154	70D FM SWNG I/O HNGR ASSY	LEFT

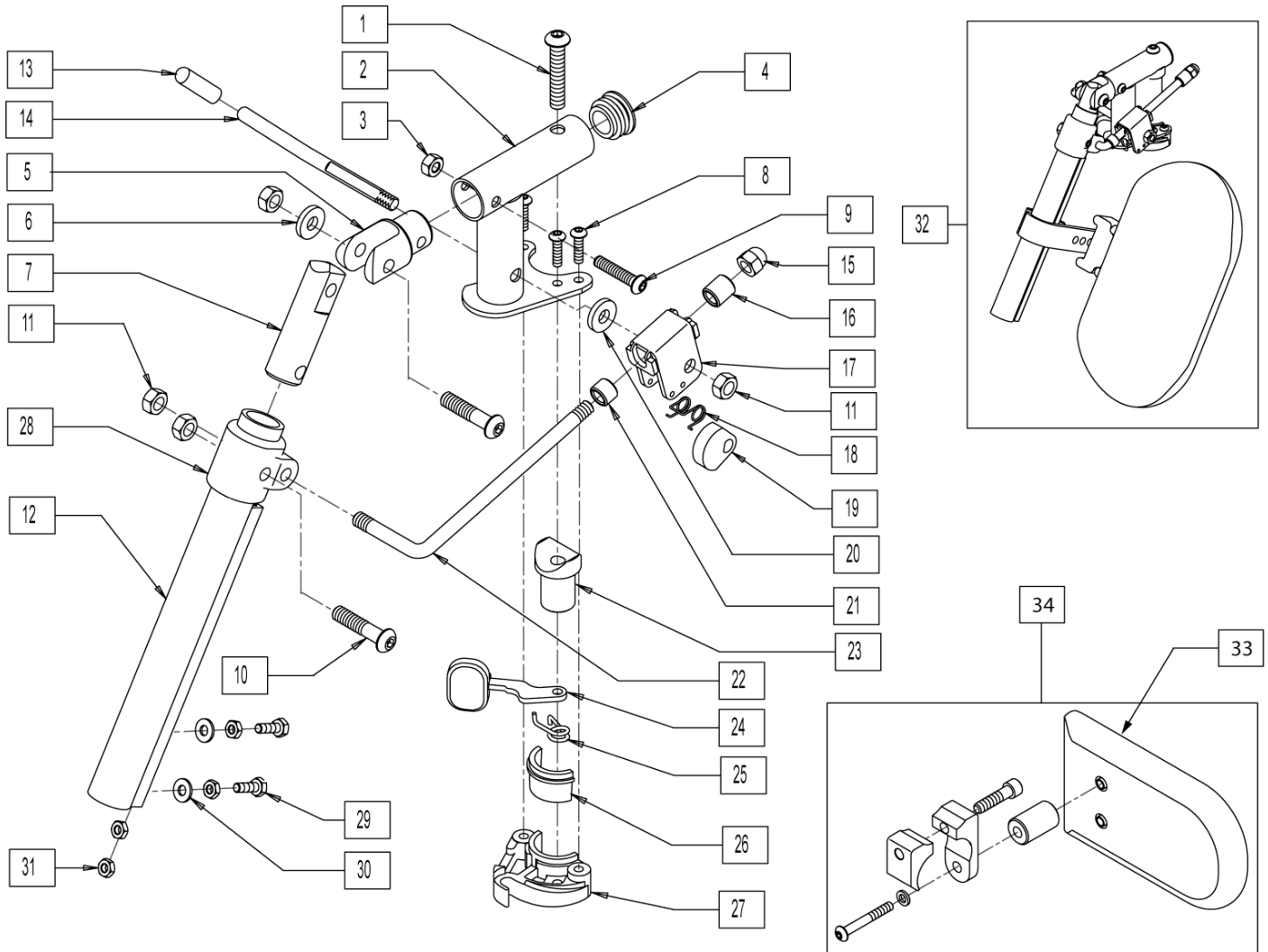


Pos.	Item Number	Description	Remarks
1A	052296	SWING I/O LATCH LEVER R w/pins	
1B	052297	SWING I/O LATCH LEVER L w/pins	
2A	052266	HNGR WLDMT FRT MT SWG I/O 80	RIGHT
2B	052265	HNGR WLDMT FRT MT SWG I/O 80	LEFT
3	226198	5/16-18 X 2 BH C/S SHT THREAD	
4	561197	PLASTIC PIVOT SADDLE	
5	202102	5/16-18 NYLOCK NUT THIN	
6	013142	BHCS M5 X .8 X 12 BLK W/PL	
7	230494	M5-30 BTTN HD SOC C/S BLK	
8	052054	BUSHING PIVOT HANGER SWING I/O	
9	483282	S/A LATCH BLOCK CASTING INSERT	
10	561378	END PLUG DBL "D" S525	
6,9,11	101141	SWING I/O LATCH BLOCK ASSY	
1A,2A,3-11	101155	80D FM SWNG I/O HNGR ASSY	RIGHT
1B,2B,3-11	101156	80D FM SWNG I/O HNGR ASSY	LEFT



Pos.	Item Number	Description	Remarks
1A	052296	SWING I/O LATCH LEVER R w/pins	
1B	052297	SWING I/O LATCH LEVER L w/pins	
2A	052268	HNGR WLDMNT FM SWNG I/O 90D	RIGHT
2B	052267	HNGR WLDMNT FM SWNG I/O 90D	LEFT
3	226198	5/16-18 X 2 BH C/S SHT THREAD	
4	561197	PLASTIC PIVOT SADDLE	
5	202102	5/16-18 NYLOCK NUT THIN	
6	013142	BHCS M5 X .8 X 12 BLK W/PL	
7	230494	M5-30 BTTN HD SOC C/S BLK	
8	052054	BUSHING PIVOT HANGER SWING I/O	
9	483282	S/A LATCH BLOCK CASTING INSERT	
10	561378	END PLUG DBL "D" S525	
6,9,11	101141	SWING I/O LATCH BLOCK ASSY	
1A,2A,3-11	101157	90D FM SWNG I/O HNGR ASSY	RIGHT
1B,2B,3-11	101158	90D FM SWNG I/O HNGR ASSY	LEFT

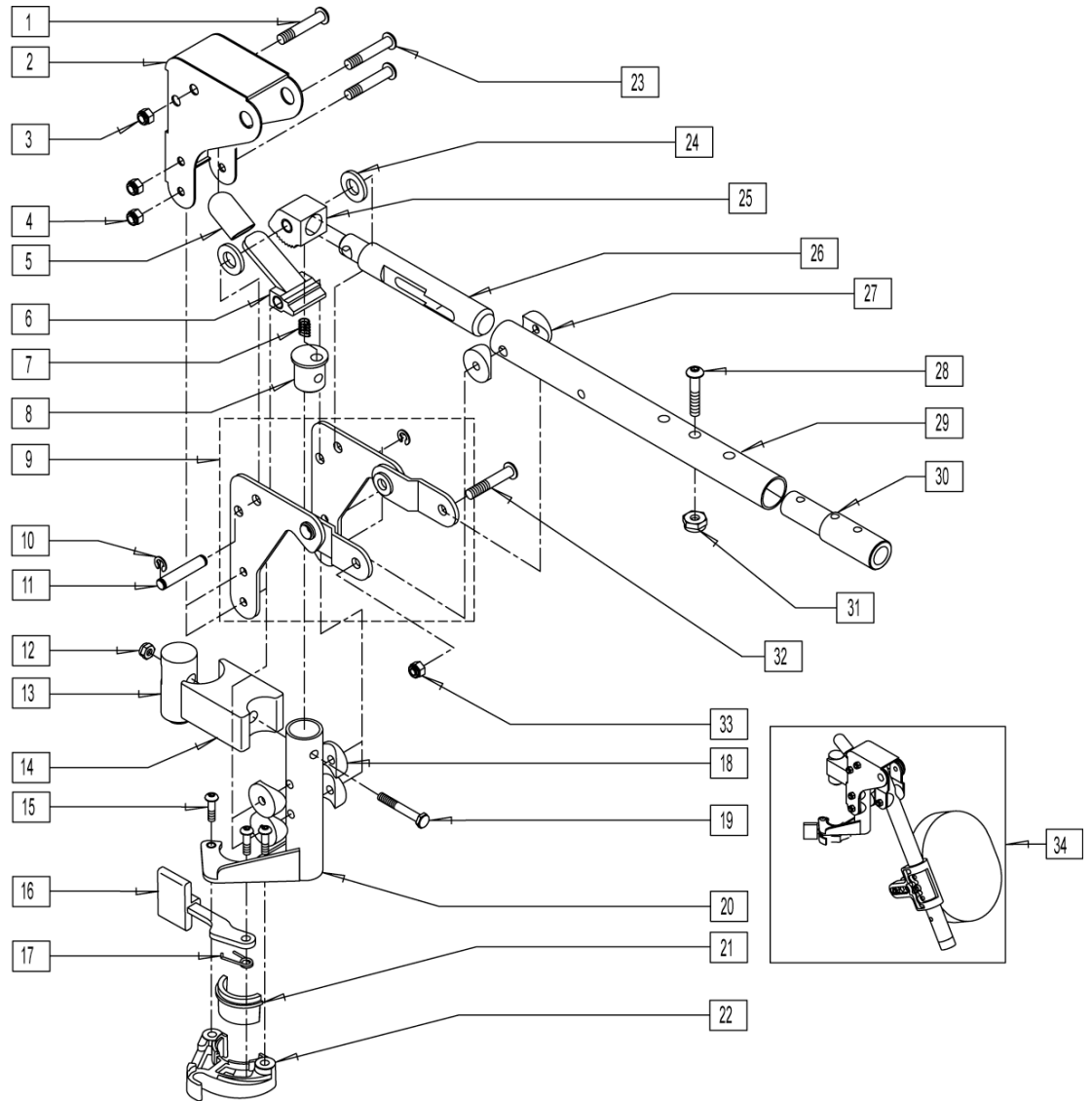
HEMI ELEVATING LEGREST



Pos.	Item Number	Description	Remarks
1	226217	" 5/16-18 x 2" BH C/S BLK"	
3	201100-QU	1/4-28 NYLOCK NUT THIN	
4	561062	"1" INSERT PLUG .065 RIBS"	
5	505281	ELR CLEVIS	
6	263100	5/16 AN WASHER FLAT	
7	540252	ELR PIVOT PRS	
8	226057	10/24 x .725 BTTN HD SOC BZ	
9	226129	1/4-28 x 1 1/4 BH C/S	
10	226138	5/16-24 x 1 1/2 BH C/S	
11	202100-MJ	5/16-24 NYLOCK NUT THIN	
12	550722	ELR ADJUSTMENT TUBE	
13	561049	ELR RELEASE ROD COVER	
14	481123	ELR ACTUATION ARM 90 DEG KDS	
15	202109	5/16-24 ACORN NUT HEX	
16	560815	HEMI ELR ADJ STOP BACK LG	
17	880990	ELR LOCK HOUSING W/PIN	
18	321106	ELR TORSION SPRING	
19	481119	ELR CAM LOCKING POWDERED METAL	
20	561059	3/4 OD x .318 ID WASHER	

Pos.	Item Number	Description	Remarks
21	500806	HEMI ELR ADJ STOP FRONT SMALL	
22	481117	ELR LOCK ROD	
23	561197	PLASTIC PIVOT SADDLE	
24	561079	S/A LATCH LEVER	
25	321136	S/A SPRING L RED	
25	321137	S/A SPRING R CLEAR	
28	560420	ELR UPPER PIVOT PLST	
29	221100	1/4-28 X 3/4 HEX C/S	
30	262110-QU	1/4 AN WASHER FLAT THIN	
31	201112	1/4-28 NUT THIN	
32	922324	HEMI ELR HNGR ASSM 14-15 W/PA	
32	922325	HEMI ELR HNGR ASSM 16-17 W/PAD	
32	922326	HEMI ELR HNGR ASSM 18-20 W/PAD	
33	750226	KNEE PAD FLAT 3H X 5L W/COVER	
34	922328	ELR HEMI KNEE PAD ASSM	
26,27	881500	LATCH BLOCK ASSM R	
26,27	881501	LATCH BLOCK ASSM L	
13,14	882411	ELR 90D ACTUATION ARM ASSM	
1-9,23-27	921826	ELR PIVOT BLOCK ASSM R	
1-9,23-27	921827	ELR PIVOT BLOCK ASSM L	
11,13-19, 21,22	922323	HEMI ELR LOCK ROD/ARM ASSM	
1-31	921828	HEMI ELR HANGER W/O PAD R	
1-31	921829	HEMI ELR HANGER W/O PAD L	

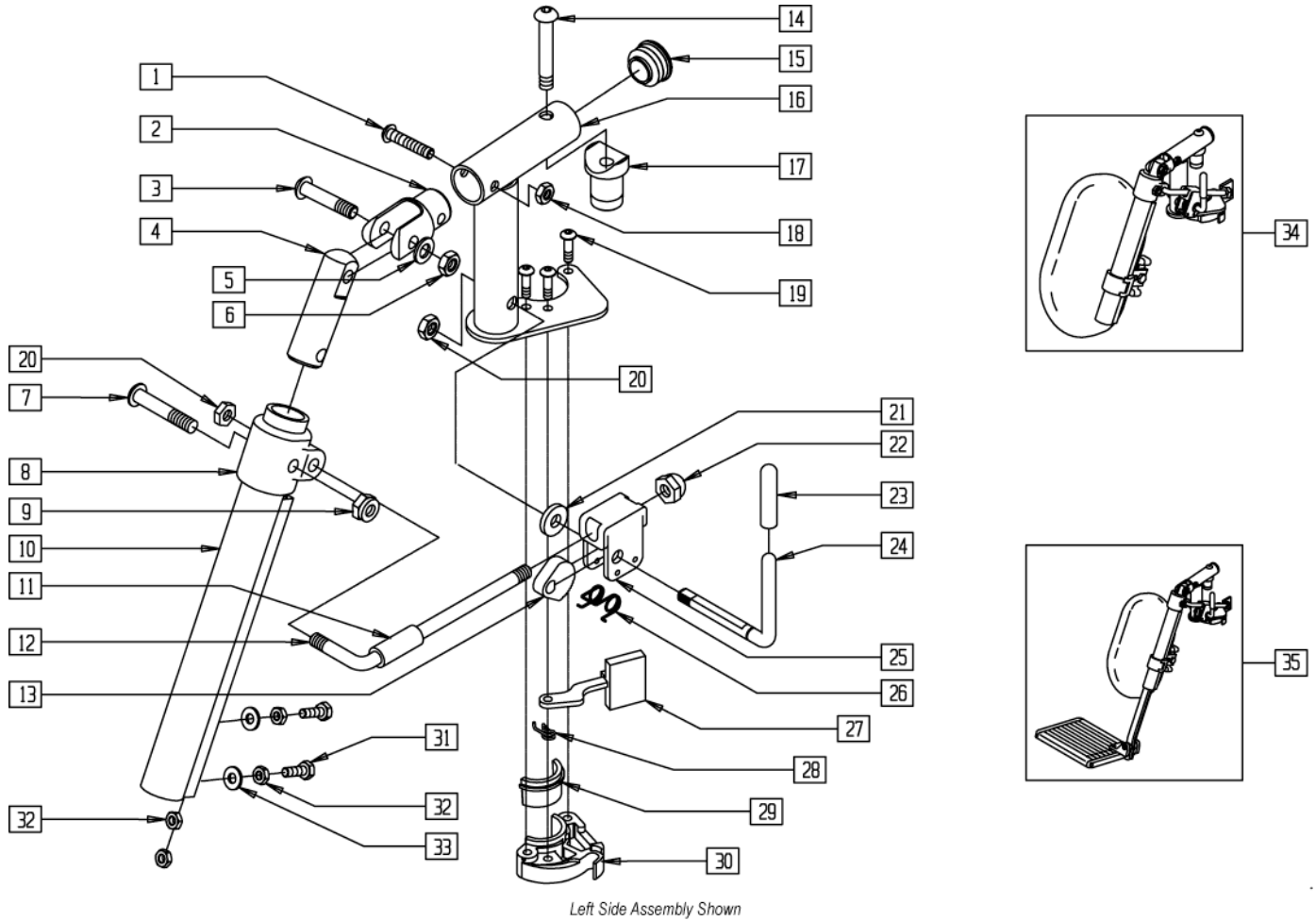
**NOTE:** WHEN USING AN ARTICULATING LEGREST ASSEMBLY, THE PULL-TO-LOCK WHEEL LOCK MUST BE USED.



Pos.	Item Number	Description	Remarks
1	226198	5/16-18 x 2 BH C/S SHT THREAD	
2	560720	ALR COVER STD	
3	202102	5/16-18 NYLOCK NUT THIN	
4	201100-QU	1/4-28 NYLOCK NUT THIN	
5	560501	ALR RELEASE LEVER COVER	
6	505902	ALR RELEASE LEVER	
7	321141	650L x 6 COIL SPRING	
8	483060	ALR SPRING PLUG	
9	880526	ALR BRACKET W/LINK R	
9	880527	ALR BRACKET W/LINK L	
10	342000	1/4" E-CLIP	
11	481052	ALR RETAINING STUD	
12	201110-QU	1/4-28 NYLOCK NUT	

Pos.	Item Number	Description	Remarks
13	500177	ALR PIVOT SADDLE .125	
14	500178	ALR PIVOT SADDLE BLOCK	
15	226057	10/24 x .725 BTTN HD SOC BZ	
16	561079	S/A LATCH LEVER	
17	321136	S/A SPRING R CLEAR	
17	321137	S/A SPRING R	
18	561004	1" SADDLE 1/4 HOLE	
19	221201	1/4-28 x 3 G8 HEX C/S	
20	882466	ALR S/A TUBE ASSM L	
20	882467	ALR S/A TUBE ASSM R	
23	226150	1/4-28 x 2 BH C/S	
24	561016	1" WASHER 5/16 HOLE	
25	505900	ALR RATCHET BLOCK	
26	483062	ALR RATCHET ROD	
27	561006	1" SADDLE 5/16" HOLE	
28	226129	1/4-28 x 1 1/4 BH C/S	
29	505025	KIDS ALR LEGREST TUBE 11-13"	
30	500150	2" FOOTREST EXT TUBE	
31	201100-QU	1/4-28 NYLOCK NUT THIN	
32	226195	5/16-18 x 1.82 BH C/S	
33	202102	5/16-18 NYLOCK NUT THIN	
34	923053	KIDS ALR HANGER ASSEM W/PAD	(PR) (SPECIFY COLOR)
28,30,31	881403	2" FTRST EXT TUBE W/HDWR ASSM	
21,22	881500	LATCH BLOCK ASSM R	
21,22	881501	LATCH BLOCK ASSM L	
1-31	641432	KIDS ALR HNGR W/O PAD R 2" EXT	
1-31	641433	KIDS ALR HNGR W/O PAD L 2" EXT	

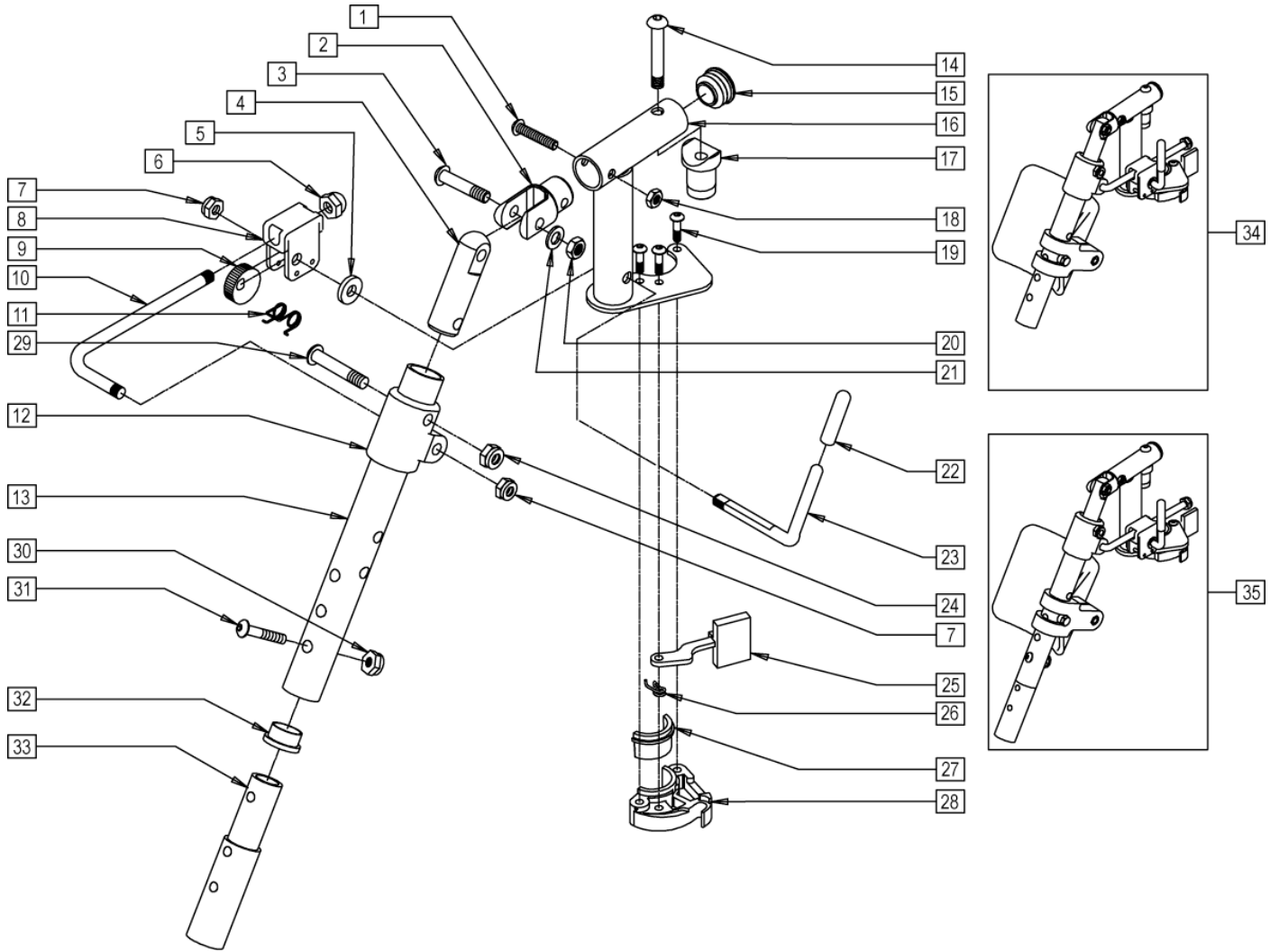
ELEVATING LEGREST



Pos.	Item Number	Description	Remarks
1	226129	1/4-28 x 1 1/4 BH C/S	
2	505281	ELR CLEVIS	
3	226138	5/16-24 x 1 1/2 BH C/S	
4	540252	ELR PIVOT PRS	
5	263100	5/16 AN WASHER FLAT	
6	202100-MJ	5/16-24 NYLOCK NUT THIN	
7	226138	5/16-24 x 1 1/2 BH C/S	
8	560420	ELR UPPER PIVOT PLST	
9	202100-MJ	5/16-24 NYLOCK NUT THIN	
10	550722	ELR ADJUSTMENT TUBE	
11	560784	ELR ADJUSTMENT STOP	
12	481117	ELR LOCK ROD	
13	481119	ELR CAM LOCKING POWDERED METAL	
14	226217	" 5/16-18 x 2" BH C/S BLK"	
15	561062	"1" INSERT PLUG .065 RIBS"	
16	505278	ELR HANGER BRKT R NEW	
16	505279	ELR HANGER BRKT L NEW	
17	561197	PLASTIC PIVOT SADDLE	
18	201100-QU	1/4-28 NYLOCK NUT THIN	
19	226057	10/24 x .725 BTTN HD SOC BZ	
20	202100-MJ	5/16-24 NYLOCK NUT THIN	
21	561059	3/4 OD x .318 ID WASHER	



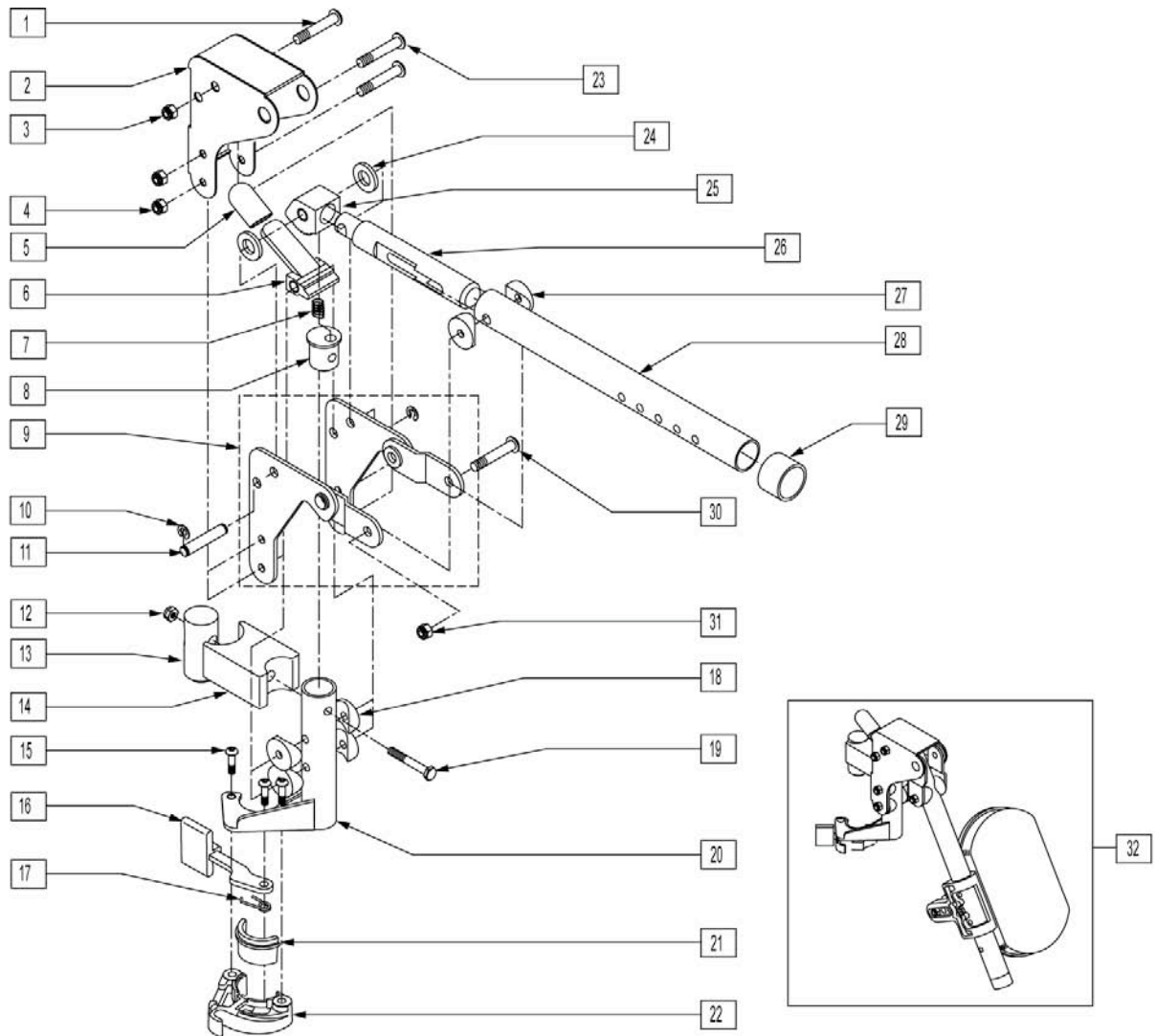
Pos.	Item Number	Description	Remarks
22	202109	5/16-24 ACORN NUT HEX	
23	561049	ELR RELEASE ROD COVER	
24	481122	ELR ACTUATION ARM	
25	880990	ELR LOCK HOUSING W/PIN	
26	321106	ELR TORSION SPRING	
27	561079	S/A LATCH LEVER	
28	321136	S/A SPRING L RED	
28	321137	S/A SPRING R CLEAR	
31	221100	1/4-28 x 3/4 HEX C/S	
32	201112	1/4-28 NUT THIN	
33	262110-QU	1/4 AN WASHER FLAT THIN	
11-13,20-26	881077	ELR LOCK ROD/ARM ASSEMBLY	
29,30	881500	LATCH BLOCK ASSM R	
29,30	881501	LATCH BLOCK ASSM L	
23,24	882410	ELR ACTUATION ARM ASSEMBLY	
1-6,14-19,	882413	ELR PIVOT BLOCK ASSM R	
27-30	882414	ELR PIVOT BLOCK ASSM L	
1-33	641452	ELR HNGR W/O PAD PNTD R MNL	
1-33	641453	ELR HNGR W/O PAD PNTD L MNL	
34	923082	ELR HNGR ASSM 14-15 W/PAD (PR)	
34	923041	"ELR HNGR ASSM W/PAD 16-17""	
34	923061	" ELR HNGR ASSM W/PAD 18-20""	
35	923088	" ELR HNGR REG EXT 14 15"" F/PLT"	
35	923084	"ELR HNGR REG EXT 16 17"" F/PLT "	
35	923085	"ELR HNGR REG EXT 18-20"" F/PLT"	



Pos.	Item Number	Description	Remarks
1	226129	1/4-28 x 1 1/4 BH C/S	
2	505281	ELR CLEVIS	
3	226138	5/16-24 x 1 1/2 BH C/S	
4	540252	ELR PIVOT PRS	
5	561059	3/4 OD x .318 ID WASHER	
6	202109	5/16-24 ACORN NUT HEX	
7	202100-MJ	5/16-24 NYLOCK NUT THIN	
8	880990	ELR LOCK HOUSING W/PIN	
9	481119	ELR CAM LOCKING POWDERED METAL	
10	481505	ELR LOCK ROD 90D	
11	321106	ELR TORSION SPRING	
12	560430	ELR ROD UPPER PIVOT	
13	505097	ELR KIDS TUBE	
14	226217	5/16-18 x 2" BH C/S BLK	
15	561062	1" INSERT PLUG .065 RIBS	
16	505278	ELR HANGER BRKT R NEW	
16	505279	ELR HANGER BRKT L NEW	
17	561197	PLASTIC PIVOT SADDLE	
18	201100-QU	1/4-28 NYLOCK NUT THIN	

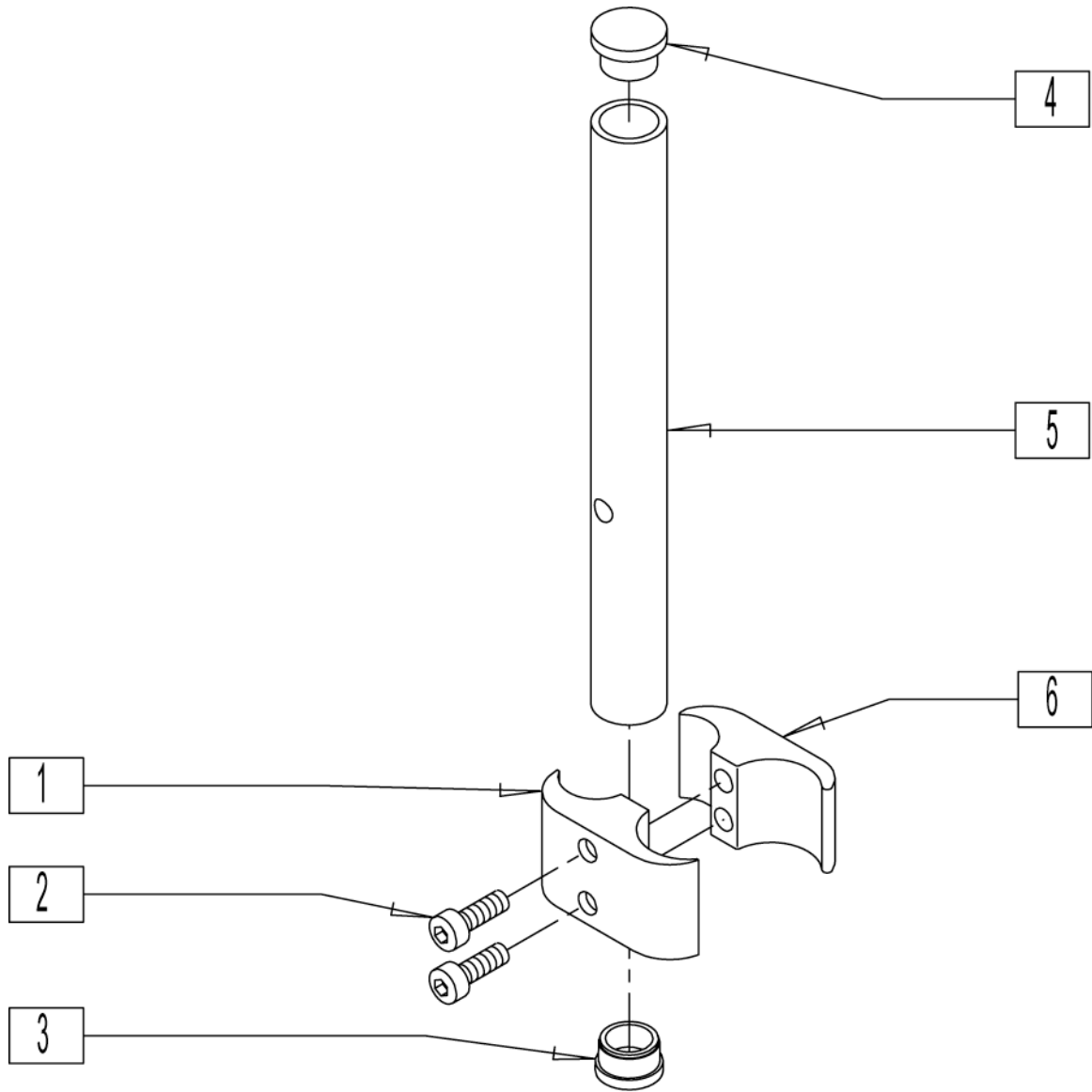
Pos.	Item Number	Description	Remarks
19	226057	10/24 x .725 BTTN HD SOC BZ	
20	202100-MJ	5/16-24 NYLOCK NUT THIN	
21	263100	5/16 AN WASHER FLAT	
22	561049	ELR RELEASE ROD COVER	
23	481123	ELR ACTUATION ARM 90 DEG KDS	
24	202100-MJ	5/16-24 NYLOCK NUT THIN	
25	561079	S/A LATCH LEVER	
26	321136	S/A SPRING L RED	
26	321137	S/A SPRING R CLEAR	
29	226138	5/16-24 x 1 1/2 BH C/S	
30	201100-QU	1/4-28 NYLOCK NUT THIN	
31	226129	1/4-28 x 1 1/4 BH C/S	
32	561002	1" INSERT PLUG .083	
33	500150	2" FOOTREST EXT TUBE	
34	923068	ELR HNGR ASSM 90D W/ PAD 2" EXT	
35	923067	ELR HNGR ASSM 90D W/ PAD	
30,31,33	881403	2" FTRST EXT TUBE W/HDWR ASSM	
27,28	881500	LATCH BLOCK ASSM R	
27,28	881501	LATCH BLOCK ASSM L	
22,23	882411	ELR 90D ACTUATION ARM ASSM	
1-4,14-21,25-28	882413	ELR PIVOT BLOCK ASSM R	
1-4,14-21,25-28	882414	ELR PIVOT BLOCK ASSM L	
1-28	641458	ELR HNGR 90D W/O PAD PNTD R	
1-28	641459	ELR HNGR 90D W/O PAD PNTD L	
1-28,30,31,33	641468	HANGER ELR 90 W/O PAD R 2" EXT	
1-28,30,31,33	641469	HANGER ELR 90 W/O PAD L 2" EXT	

NOTE: WHEN USING AN ARTICULATING LEGREST ASSEMBLY, THE PULL-TO-LOCK WHEEL LOCK MUST BE USED.

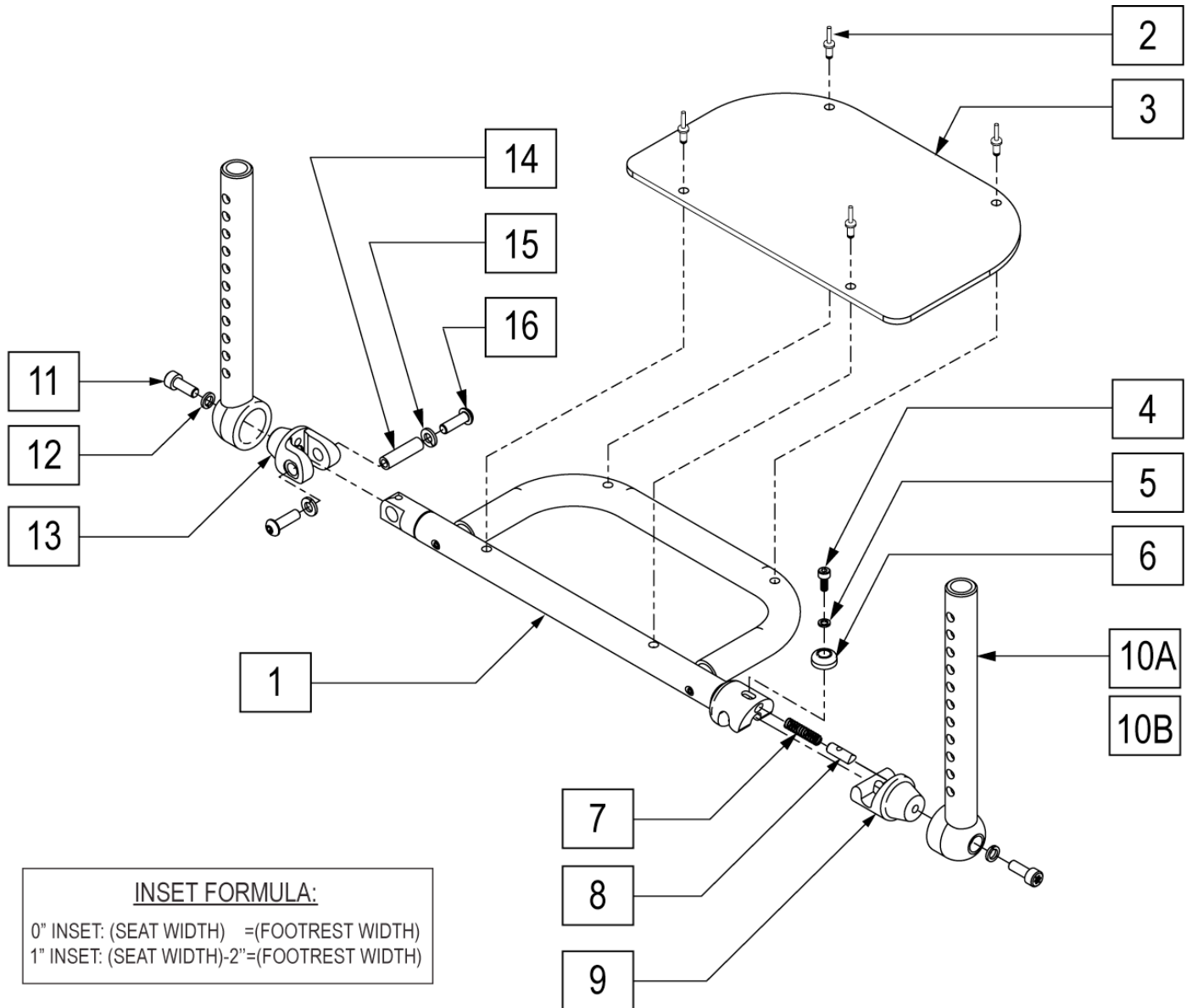


Pos.	Item Number	Description	Remarks	Pos.	Item Number	Description	Remarks
1	226198	5/16-18 x 2 BH C/S SHT THREAD		15	226057	10/24 x .725 BTTN HD SOC BZ	
2	562720	ALR COVER STD		16	561079	S/A LATCH LEVER	
3	202102	5/16-18 NYLOCK NUT THIN		17	321136	S/A SPRING L RED	
4	201100-QU	1/4-28 NYLOCK NUT THIN		17	321137	S/A SPRING R CLEAR	
5	560501	ALR RELEASE LEVER COVER		18	561004	1" SADDLE 1/4" HOLE	
6	505902	ALR RELEASE LEVER		19	221201	1/4-28 x 3 G8 HEX C/S	
7	321141	650L x 6 COIL SPRING		20	505027	ALR S/A TUBEONLY R BLACK	
8	483060	ALR SPRING PLUG		20	505028	ALR S/A TUBEONLY L BLACK	
9	880526	ALR BRACKET W/LINK R		23	226150	1/4-28 x 2 BH C/S	
9	880527	ALR BRACKET W/LINK L		24	561016	1" WASHER 5/16" HOLE	
10	342000	1/4" E-CLIP		25	505900	ALR RATCHET BLOCK	
11	481052	ALR RETAINING STUD		26	483062	ALR RATCHET ROD	
12	201110-QU	1/4-28 NYLOCK NUT		27	561006	1" SADDLE 5/16" HOLE	
13	500177	ALR PIVOT SADDLE .125		28	505026	ALR TUBE ONLY	
14	500178	ALR PIVOT SADDLE BLOCK		29	561082	1" TUBE END BUSHING THIN	

Pos.	Item Number	Description	Remarks	Pos.	Item Number	Description	Remarks
30	226195	5/16-18 x 1.82 BH C/S		1-31	641464	HANGER ALR W/O PAD PNTD R	
31	202102	5/16-18 NYLOCK NUT THIN		1-31	641465	HANGER ALR W/O PAD PNTD L	
21,22	881500	LATCH BLOCK ASSM R		32	923051	ALR HANGER ASSM W/PAD ALUM LB	
21,22	881501	LATCH BLOCK ASSM L					



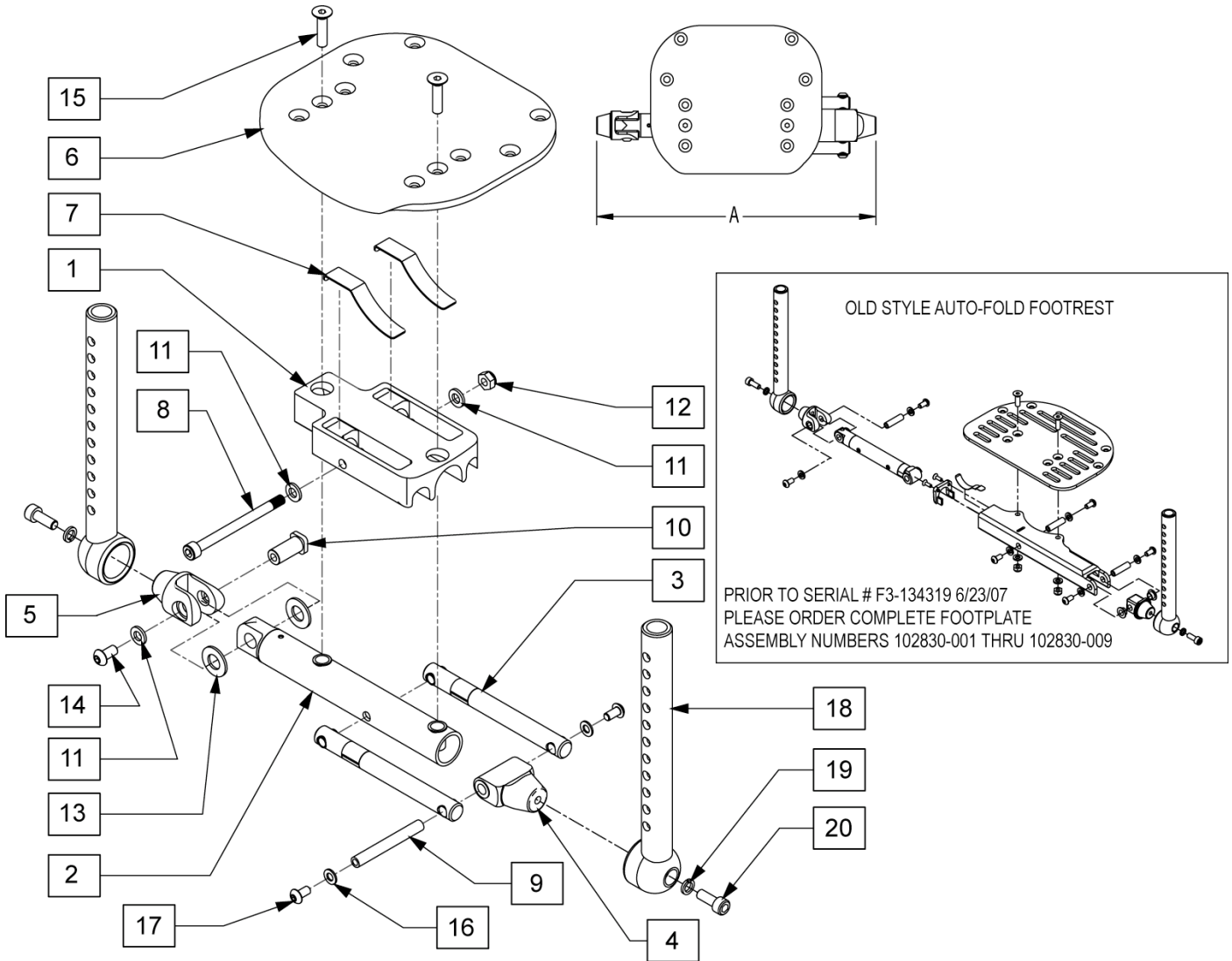
Pos.	Item Number	Description	Remarks
1	550657	CLAMP 1 1/4" RECESS FULL BLK	
2	226112	1/4-28 x 1 SOC C/S BLK	
3	561000-QU	3/4" INSERT PLUG .083	
4	482016	HIGH-MOUNT FL FT TUBE PLUG	
5	524100	H/M FL FT EXT TUBE BLK	
6	550658	CLAMP 1 1/4" THREADED BLK	
1,2,6	880538	HI-MOUNT FR CLAMP ASSEMBLY BLK	
1-6	921550	H/M FL FT CLAMPS AND TUBES (PR)	Pair



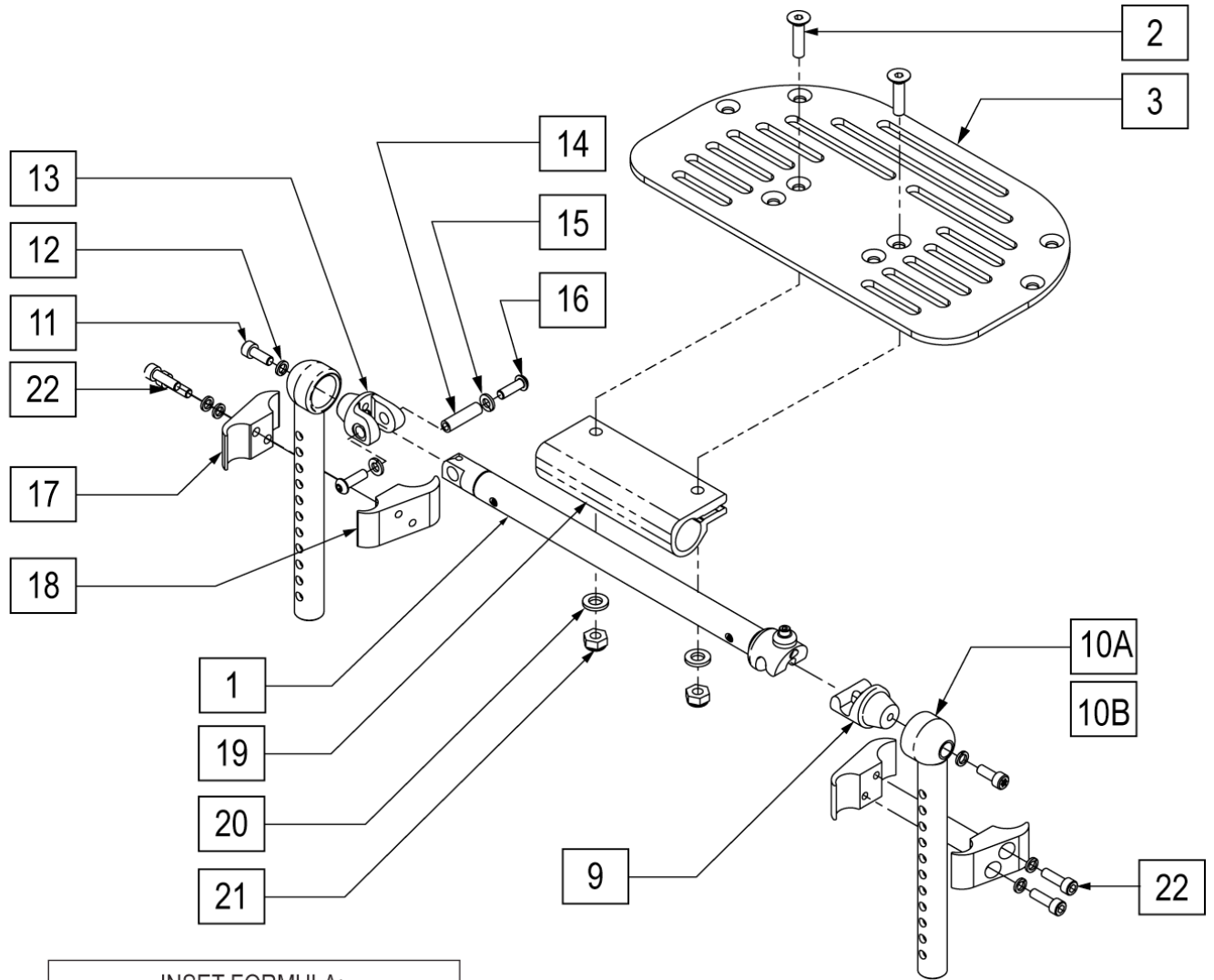
Pos.	Item Number	Description	Remarks	Pos.	Item Number	Description	Remarks
2	240103	RIVET POP AD54ABS-154		12	050129-001	LOCKWASHER HIGH COLLAR M6	
3	560040	PLATE FOOT HANGER 10W		13	052022	CLEVIS PIVOT TUBE	
3	560041	PLATE FOOT HANGER 11W		14	052282	PIN PIVOT FOOTREST	
3	560043	PLATE FOOT HANGER 13W		15	262133	WASHER LOCK M6	
3	560045	PLATE FOOT HANGER 15W		16	013147	BHCS M6X1X12MM BLK	
3	560047	PLATE FOOT HANGER 17W		1-8	100830-010	ASSY TUBE FRST TBLR W-CVR 12W	
4	230132	SHCS M4 X .7 X 10		1-8	100830-011	ASSY TUBE FRST TBLR W-CVR 13W	
5	050129-002	LOCKWASHER HIGH COLLAR M4		1-8	100830-012	ASSY TUBE FRST TBLR W-CVR 14W	
6	052289	BUTTON LEVER LATCH		1-8	100830-013	ASSY TUBE FRST TBLR W-CVR 15W	
7	100837	SPRING COMP .25OD X 1.0LG		1-8	100830-014	ASSY TUBE FRST TBLR W-CVR 16W	
8	052103	LATCH PLUNGER FOOTREST		1-8	100830-015	ASSY TUBE FRST TBLR W-CVR 17W	
9	100842	ASSY LATCH PIVOT FOOTREST		1-8	100830-016	ASSY TUBE FRST TBLR W-CVR 18W	
10A	052020-001	TUBE FOOTREST STD		1-8	100830-017	ASSY TUBE FRST TBLR W-CVR 19W	
10B	052020-002	TUBE FOOTREST LNG		1-8	100830-018	ASSY TUBE FRST TBLR W-CVR 20W	
11	230010	SHCS M6X 1 X 16 BLK		1,4-8	100830-001	ASSY TUBE FTRST TUBULAR 12W	

Pos.	Item Number	Description	Remarks	Pos.	Item Number	Description	Remarks
1,4-8	100830-002	ASSY TUBE FTRST TUBULAR 13W		1,4-8	100830-006	ASSY TUBE FTRST TUBULAR 17W	
1,4-8	100830-003	ASSY TUBE FTRST TUBULAR 14W		1,4-8	100830-007	ASSY TUBE FTRST TUBULAR 18W	
1,4-8	100830-004	ASSY TUBE FTRST TUBULAR 15W		1,4-8	100830-008	ASSY TUBE FTRST TUBULAR 19W	
1,4-8	100830-005	ASSY TUBE FTRST TUBULAR 16W		1,4-8	100830-009	ASSY TUBE FTRST TUBULAR 20W	





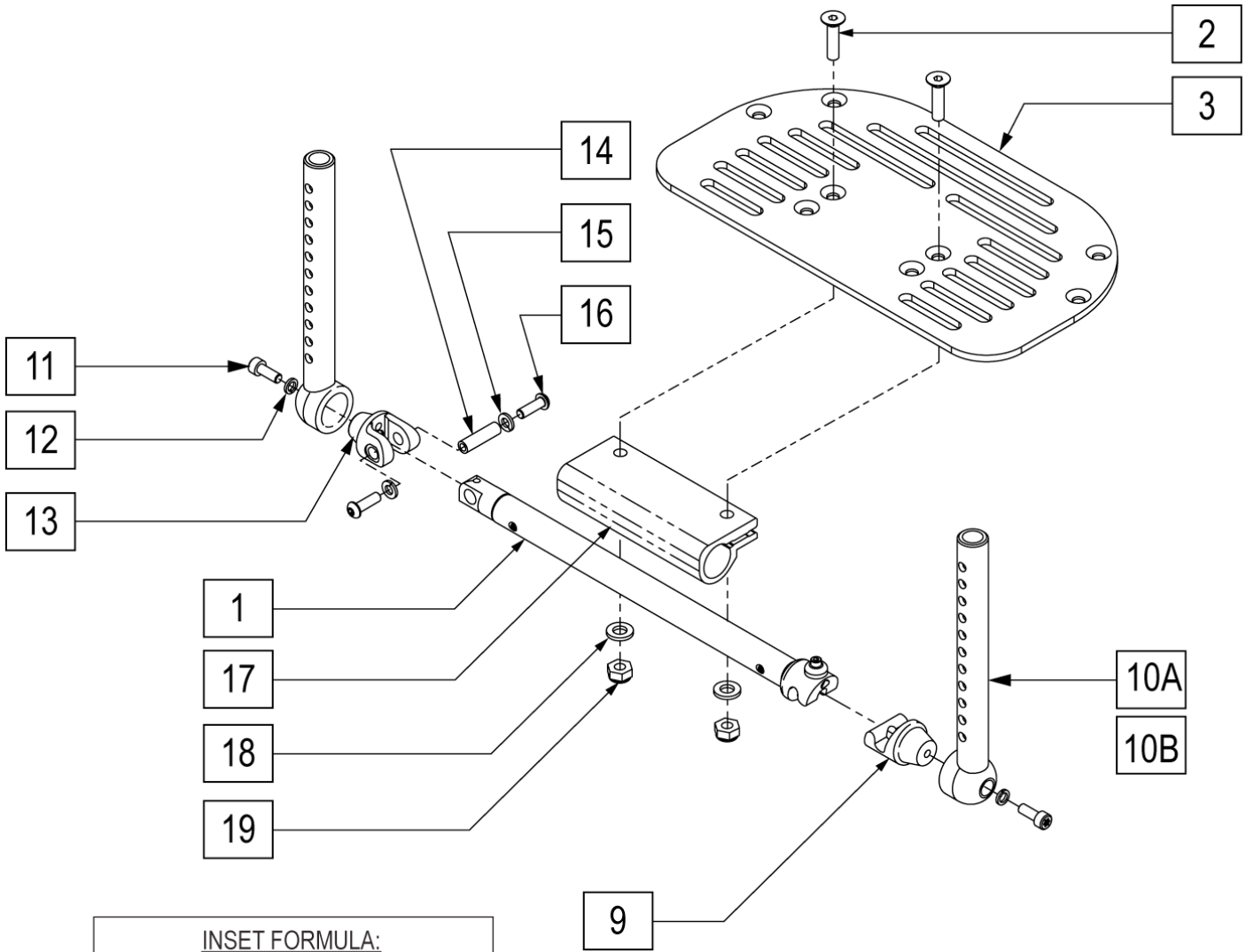
Pos.	Item Number	Description	Remarks	Pos.	Item Number	Description	Remarks
1	054858	SADDLE CENTER FOOTREST		18	052021-001	TUBE FTREST WLDMNT STD	
6	054853-001	FOOTPLATE SIZE 1		18	052021-002	TUBE FTREST WLDMNT LNG	
6	054853-002	FOOTPLATE SIZE 2		19	050129-001	LOCKWASHER HIGH COLLAR M6	
6	054853-003	FOOTPLATE SIZE 3		20	230010	SHCS M6 X 1 X 16 BLK	
6	054853-004	FOOTPLATE SIZE 4		1-17	102830-001	ASSY FOOTPLATE AUTOFOLD 12W	
6	054853-005	FOOTPLATE SIZE 5		1-17	102830-002	ASSY FOOTPLATE AUTOFOLD 13W	
7	054852	SPRING LEAF FOOTREST		1-17	102830-003	ASSY FOOTPLATE AUTOFOLD 14W	
11	250104	WASHER FLAT M6		1-17	102830-004	ASSY FOOTPLATE AUTOFOLD 15W	
12	200113	NUT HEX NYLOCK M6 X 1		1-17	102830-005	ASSY FOOTPLATE AUTOFOLD 16W	
14	230113	BHCS M6 X 1 X 12 BLK W/PL		1-17	102830-006	ASSY FOOTPLATE AUTOFOLD 17W	
15	230510	M6-25 FH C/S BLK		1-17	102830-007	ASSY FOOTPLATE AUTOFOLD 18W	
16	012931	BHCS M5 X 10 W/PL BLK CL 10.9		1-17	102830-008	ASSY FOOTPLATE AUTOFOLD 19W	
17	102834	WASHER FLAT M5 SS		1-17	102830-009	ASSY FOOTPLATE AUTOFOLD 20W	



**INSET FORMULA:**  
 0" INSET: (SEAT WIDTH) =(FOOTREST WIDTH)  
 1" INSET: (SEAT WIDTH)-2"=(FOOTREST WIDTH)

Pos.	Item Number	Description	Remarks	Pos.	Item Number	Description	Remarks
2	230510	M6-25 FH C/S BLK	2	18	050121	CLAMP WHEEL LCOK FEMALE	
3	500690	NEW PLATFORM F/PLT 6X5.5		19	550351	PLATFORM FOOTPLATE CLAMP	
3	500691	NEW PLATFORM F/PLT 8X5.5		20	250104	WASHER FLAT M6	2
3	500692	NEW PLATFORM F/PLT 10X5.5		21	200113	NUT HEX NYLOCK M6 X 1	2
3	500693	NEW PLATFORM F/PLT 12X5.5		22	230011	SHCS M6 X 1 X 20 BLK	4
9	100842	ASSY LATCH PIVOT FOOTREST		1,4-8	100838	BALL PLUNGER 8MM OD	
10A	052021-001	TUBE FOOTREST WLDMNT STD		1,4-8	561062	1" INSERT PLUG .065 RIBS	2
10B	052021-002	TUBE FOOTREST WLDMNT LONG		1,4-8	011825	SET SCREW M6 x 8MM CUP TIP	
11	230010	SHCS M6X 1 X 16 BLK		1,4-8	482028	3/4" DOME PLUG .125	2
12	050129-001	LOCKWASHER HIGH COLLAR M6	6	1,4-8	100831-001	ASSY TUBE FTRST PLATFORM 12" W	
13	052022	CLEVIS PIVOT TUBE		1,4-8	100831-002	ASSY TUBE FTRST PLATFORM 13" W	
14	052282	PIN PIVOT FOOTREST		1,4-8	100831-003	ASSY TUBE FTRST PLATFORM 14" W	
15	262133	WASHER LOCK M6	2	1,4-8	100831-004	ASSY TUBE FTRST PLATFORM 15" W	
16	013147	BHCS M6X1X12MM BLK		1,4-8	100831-005	ASSY TUBE FTRST PLATFORM 16" W	
17	050120	CLAMP WHEEL LOCK MALE		1,4-8	100831-006	ASSY TUBE FTRST PLATFORM 17" W	

Pos.	Item Number	Description	Remarks	Pos.	Item Number	Description	Remarks
1,4-8	100831-007	ASSY TUBE FTRST PLATFORM 18" W		1,4-8	100831-009	ASSY TUBE FTRST PLATFORM 20" W	
1,4-8	100831-008	ASSY TUBE FTRST PLATFORM 19" W					

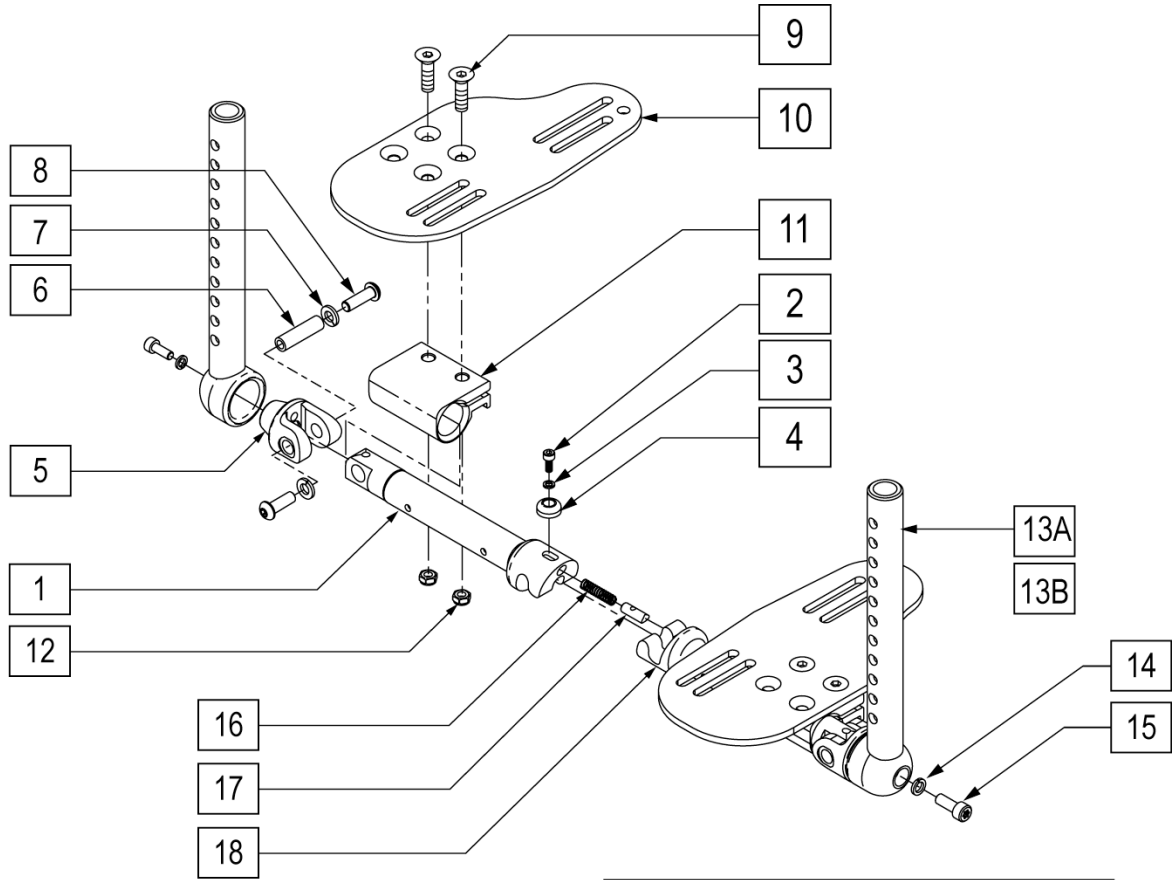


**INSET FORMULA:**  
 0" INSET: (SEAT WIDTH) =(FOOTREST WIDTH)  
 1" INSET: (SEAT WIDTH)-2"=(FOOTREST WIDTH)

Pos.	Item Number	Description	Remarks	Pos.	Item Number	Description	Remarks
2	230510	M6-25 FH C/S BLK		16	013147	BHCS M6X1X12MM BLK	2
3	500690	NEW PLTFORM F/PLT 6X5.5		17	550351	PLATFORM FOOTPLATE CLAMP	
3	500691	NEW PLTFORM F/PLT 8X5.5		18	250104	WASHER FLAT M6	2
3	500692	NEW PLTFORM F/PLT 10X5.5		19	200113	NUT HEX NYLOCK M6 X 1	2
3	500693	NEW PLTFORM F/PLT 12X5.5		1,4-8	100831-001	ASSY TUBE FTRST PLTFRM 12" W	
9	100842	ASSY LATCH PIVOT FOOTREST		1,4-8	100831-002	ASSY TUBE FTRST PLTFRM 13" W	
10A	052021-001	TUBE FOOTREST WLDMNT STD	2	1,4-8	100831-003	ASSY TUBE FTRST PLTFRM 14" W	
10B	052021-002	TUBE FOOTREST WLDMNT LONG	2	1,4-8	100831-004	ASSY TUBE FTRST PLTFRM 15" W	
11	230010	SHCS M6X 1 X 16 BLK	2	1,4-8	100831-005	ASSY TUBE FTRST PLTFRM 16" W	
12	050129-001	LOCKWASHER HIGH COLLAR M6	2	1,4-8	100831-006	ASSY TUBE FTRST PLTFRM 17" W	
13	052022	CLEVIS PIVOT TUBE		1,4-8	100831-007	ASSY TUBE FTRST PLTFRM 18" W	
14	052282	PIN PIVOT FOOTREST		1,4-8	100831-008	ASSY TUBE FTRST PLTFRM 19" W	
15	262133	WASHER LOCK M6	2	1,4-8	100831-009	ASSY TUBE FTRST PLTFRM 20" W	

**SPLIT FOOTREST ASSM**

[Revision: 01/2007]



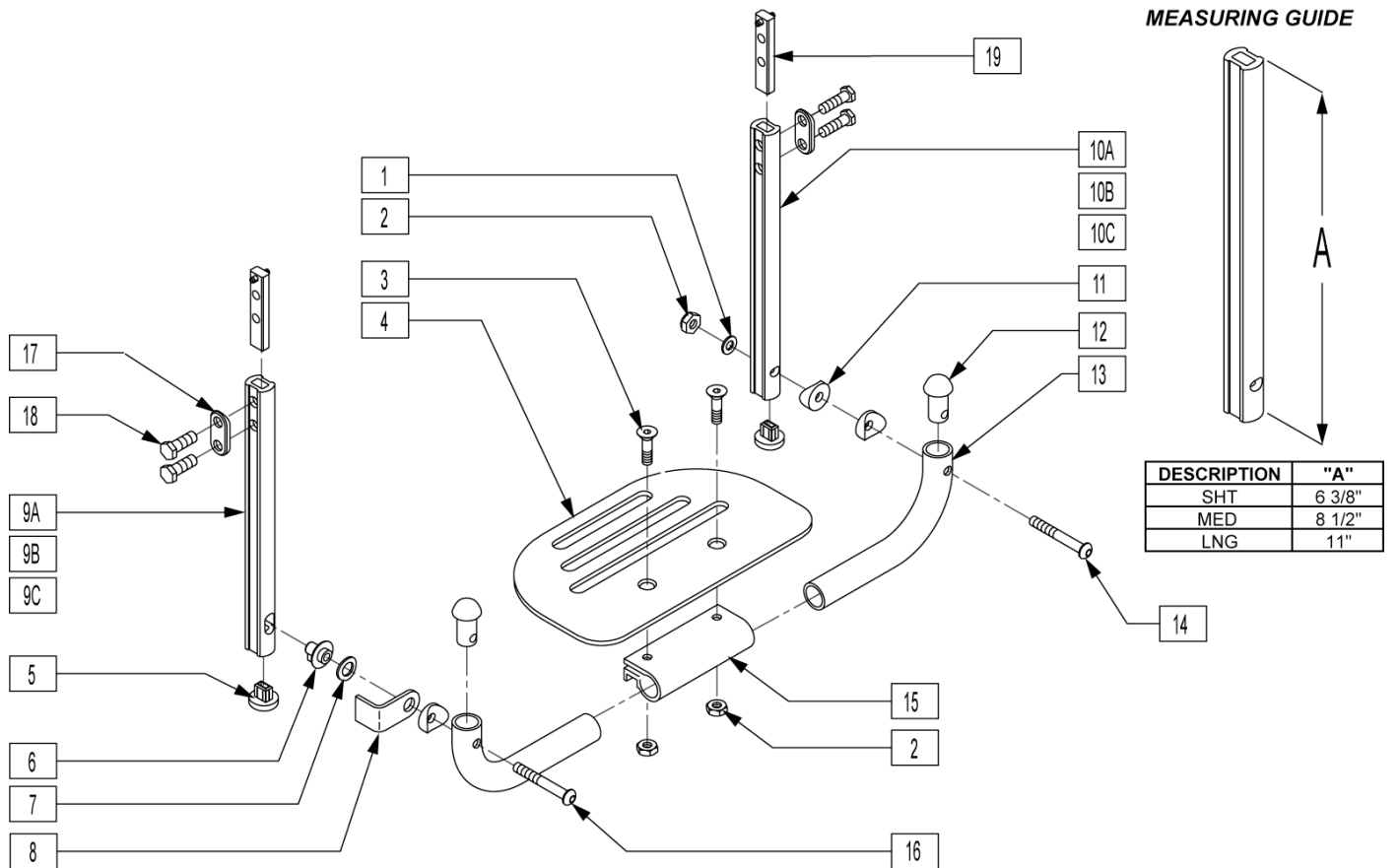
**INSET FORMULA:**  
 0" INSET: (SEAT WIDTH) -(FOOTREST WIDTH)  
 1" INSET: (SEAT WIDTH)-2"=(FOOTREST WIDTH)

FOOTREST WIDTH	FOOTPLATE PART NUMBER
13W-14W	500656 / 500657
15W-16W	500658 / 500659
17W-18W	500660 / 500661
19W-20W	500662 / 500663

Pos.	Item Number	Description	Remarks	Pos.	Item Number	Description	Remarks
2	230132	SHCS M4 X .7 X 10		14	050129-001	LOCKWASHER HIGH COLLAR M6	
3	050129-002	LOCKWASHER HIGH COLLAR M4		15	230010	SHCS M6 X 1 X 16 BLK	
4	052289	BUTTON LEVER LATCH		16	100837	SPRING COMP .25OD X 1.0LG	
5	052022	CLEVIS PIVOT TUBE		17	052103	LATCH PLUNGER FOOTREST	
6	052282	PIN PIVOT FOOTREST		18	100833-001	ASSY TUBE FTRST SPLIT L 12W	
7	262133	WASHER LOCK M6		18	100833-002	ASSY TUBE FTRST SPLIT L 13W	
8	013147	BHCS M6 X 1 X 12 BLK		18	100833-003	ASSY TUBE FTRST SPLIT L 14W	
9	230510	M6-25 FH C/S BLK		18	100833-004	ASSY TUBE FTRST SPLIT L 15W	
10	500656	ADLT ANGL ADJ F/PLT 10/11"	RIGHT	18	100833-005	ASSY TUBE FTRST SPLIT L 16W	
10	500657	ADLT ANGL ADJ F/PLT 10/11"	LEFT	18	100833-006	ASSY TUBE FTRST SPLIT L 17W	
10	500658	ADLT ANGL ADJ F/PLT 12/13"	RIGHT	18	100833-007	ASSY TUBE FTRST SPLIT L 18W	
10	500659	ADLT ANGL ADJ F/PLT 12/13"	LEFT	18	100833-008	ASSY TUBE FTRST SPLIT L 19W	
10	500660	ADLT ANGL ADJ F/PLT 14/15"	RIGHT	18	100833-009	ASSY TUBE FTRST SPLIT L 20W	
10	500661	ADLT ANGL ADJ F/PLT 14/15"	LEFT	1-4,16,17	100832-001	ASSY TUBE FTRST SPLIT R 12W	
10	500662	ADLT ANGL ADJ F/PLT 16/17"	RIGHT	1-4,16,17	100832-002	ASSY TUBE FTRST SPLIT R 13W	
10	500663	ADLT ANGL ADJ F/PLT 16/17"	LEFT	1-4,16,17	100832-003	ASSY TUBE FTRST SPLIT R 14W	
11	550350	3/4" CLMP ADJ FT PLT		1-4,16,17	100832-004	ASSY TUBE FTRST SPLIT R 15W	
12	200113	NUT HEX NYLOCK M6 X 1		1-4,16,17	100832-005	ASSY TUBE FTRST SPLIT R 16W	
13A	052021-001	TUBE FTREST WLDMNT STD		1-4,16,17	100832-006	ASSY TUBE FTRST SPLIT R 17W	
13B	052021-002	TUBE FTREST WLDMNT LNG		1-4,16,17	100832-007	ASSY TUBE FTRST SPLIT R 18W	

Pos.	Item Number	Description	Remarks	Pos.	Item Number	Description	Remarks
1-4,16,17	100832-008	ASSY TUBE FTRST SPLIT R 19W		1-4,16,17	100832-009	ASSY TUBE FTRST SPLIT R 20W	

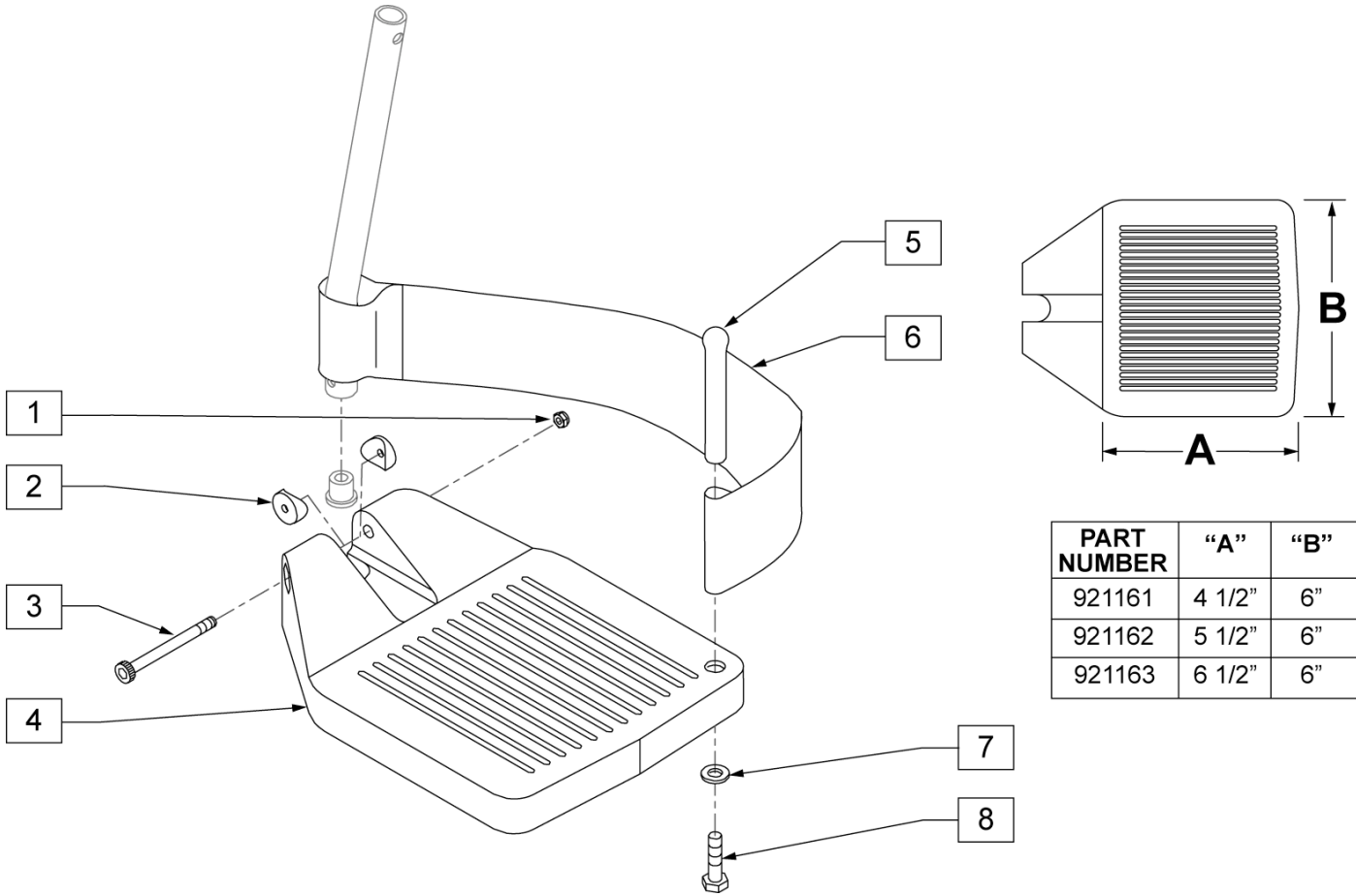
NOTE: \* FOR ORDERING INFORMATION, PLEASE SEE "PLATFORM FLIP-UP FOOTREST REFERENCE GUIDE" ATTACHED.



Pos.	Item Number	Description	Remarks
1	262110-QU	1/4 AN WASHER FLAT THIN	
2	201120	1/4-28 AUTOMATION NUT	
3	226099	1/4-28 x 7/8 FH C/S	
4	650	PLATFORM F/PLT 6" x 5 1/2"	
4	500651	PLATFORM F/PLT 8 x 5 1/2"	
4	500652	PLATFORM F/PLT 10" x 5 1/2"	
4	500653	PLATFORM F/PLT 12" x 5 1/2"	
4	500654	PLATFORM F/PLT 14" x 5 1/2"	
5	560752	PLUG FOOTREST EXT TUBE Q2 ROUND	
6	540410	F/UP FOOTREST KEY STUD D2	
7	262137	3/8 WASHER CURVED	
8	505078	FOOTREST RETAINING BRACKET	
9C	550830	EXT TUBE F/UP KEY ONLY LONG	
9A	550828	EXT TUBE F/UP KEY ONLY SHORT	
9B	550829	EXT TUBE F/UP KEY ONLY MED	
10C	550827	EXT TUBE F/UP SLT ONLY LONG	
10A	550825	EXT TUBE F/UP SLT ONLY SHORT	
10B	550826	EXT TUBE F/UP SLT ONLY MED	
11	561003	3/4" SADDLE THIN	
12	561034	SHORT DOME PLUG	
13	522150	PLTFRM F/UP F/PLT TB 20IN BLA	

Pos.	Item Number	Description	Remarks
13	522151	PLTFRM F/UP F/PLT TB 11IN	
13	522152	PLTFRM F/UP F/PLT TB 12IN	
13	522153	PLTFRM F/UP F/PLT TB 13IN	
13	522154	PLTFRM F/UP F/PLT TB 14IN	
13	522155	PLTFRM F/UP F/PLT TB 15IN	
13	522156	PLTFRM F/UP F/PLT TB 16IN	
13	522157	PLTFRM F/UP F/PLT TB 17IN	
13	522158	PLTFRM F/UP F/PLT TB 18IN	
13	522159	PLTFRM F/UP F/PLT TB 19IN	
13	522160	PLTFRM F/UP F/PLT TB 10	
13	522161	PLTFRM F/UP F/PLT TUBE 21IN B	
13	522162	PLTFRM F/UP F/PLT TUBE 22IN B	
14	226150	1/4-28 x 2 BH C/S	
15	550351	PLATFORM FOOTPLATE CLAMP	
16	226131	1/4-28 x 1 1/4 BH C/S SHLDR	
17	483717	HANGER SADDLE	
18	221102	1/4-28 x 3/4 HEX C/S	
19	500078	INSERT D2 EXT TUBE	
5,10A, 17-19	921742	EXT TBE F/UP SLT SHT ASSM PCKT	
5,10B, 17-19	921743	EXT TBE F/UP SLT MED ASSM PCKT	
5,10C, 17-19	921744	EXT TBE F/UP SLT LNG ASSM PCKT	
5,9A, 17-19	921745	EXT TBE F/UP KEY SHT ASSM PCKT	
5,9B, 17-19	921746	EXT TBE F/UP KEY MED ASSM PCKT	
5,9C, 17-19	921747	EXT TBE F/UP KEY LNG ASSM PCKT	
5,9A,10A, 17-19	921269	S/A EXT TUBE D2 SHT PLTFRM BLK	
5,9B,10B, 17-19	921267	S/A EXT TUBE D2 MED PLTFRM BLK	
5,9C,10C, 17-19	921268	S/A EXT TUBE D2 LNG PLTFRM BLK	
1-4,6-8, 11-16	900304	PLATFM F/P F/PLT BLK 10" ASSM D2	
1-4,6-8, 11-16	900305	PLATFM F/P F/PLT BLK 11" ASSM D2	
1-4,6-8, 11-16	900306	PLATFM F/P F/PLT BLK 12" ASSM D2	
1-4,6-8, 11-16	900307	PLATFM F/P F/PLT BLK 13" ASSM D2	
1-4,6-8, 11-16	900308	PLATFM F/P F/PLT BLK 14" ASSM D2	
1-4,6-8, 11-16	900309	PLATFM F/P F/PLT BLK 15" ASSM D2	
1-4,6-8, 11-16	900310	PLATFM F/P F/PLT BLK 16" ASSM D2	
1-4,6-8, 11-16	900311	PLATFM F/P F/PLT BLK 17" ASSM D2	
1-4,6-8, 11-16	900312	PLATFM F/P F/PLT BLK 18" ASSM D2	
1-4,6-8, 11-16	900313	PLATFM F/P F/PLT BLK 19" ASSM D2	
1-4,6-8, 11-16	900314	PLATFM F/P F/PLT BLK 20" ASSM D2	
1-4,6-8, 11-16	900315	PLATFM F/P F/PLT BLK 21" ASSM D2	
1-4,6-8, 11-16	900316	PLATFM F/P F/PLT BLK 22" ASSM D2	

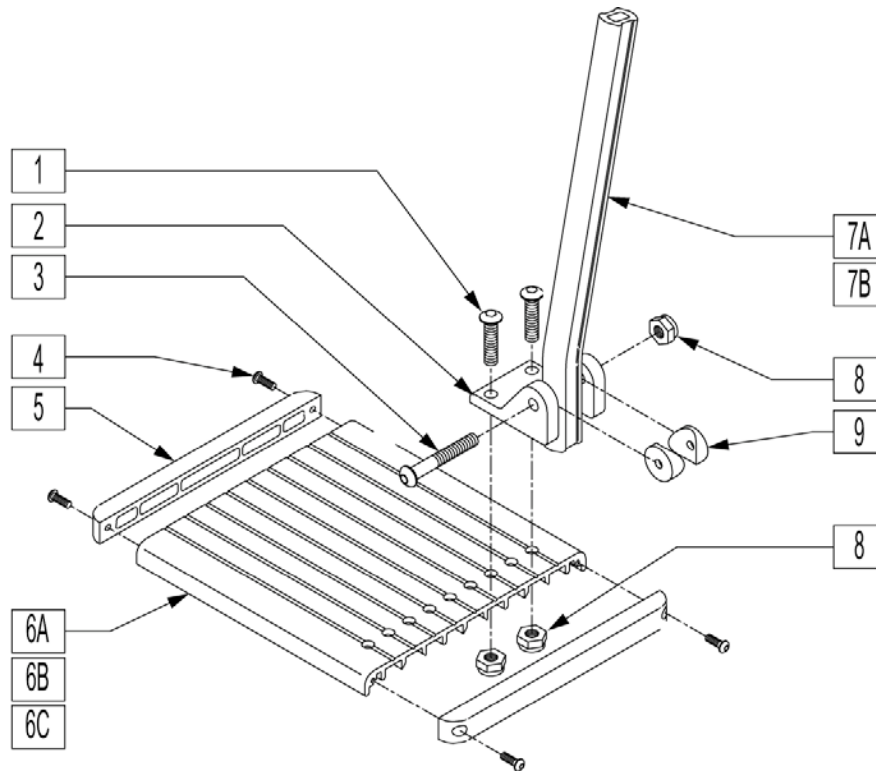




PART NUMBER	"A"	"B"
921161	4 1/2"	6"
921162	5 1/2"	6"
921163	6 1/2"	6"

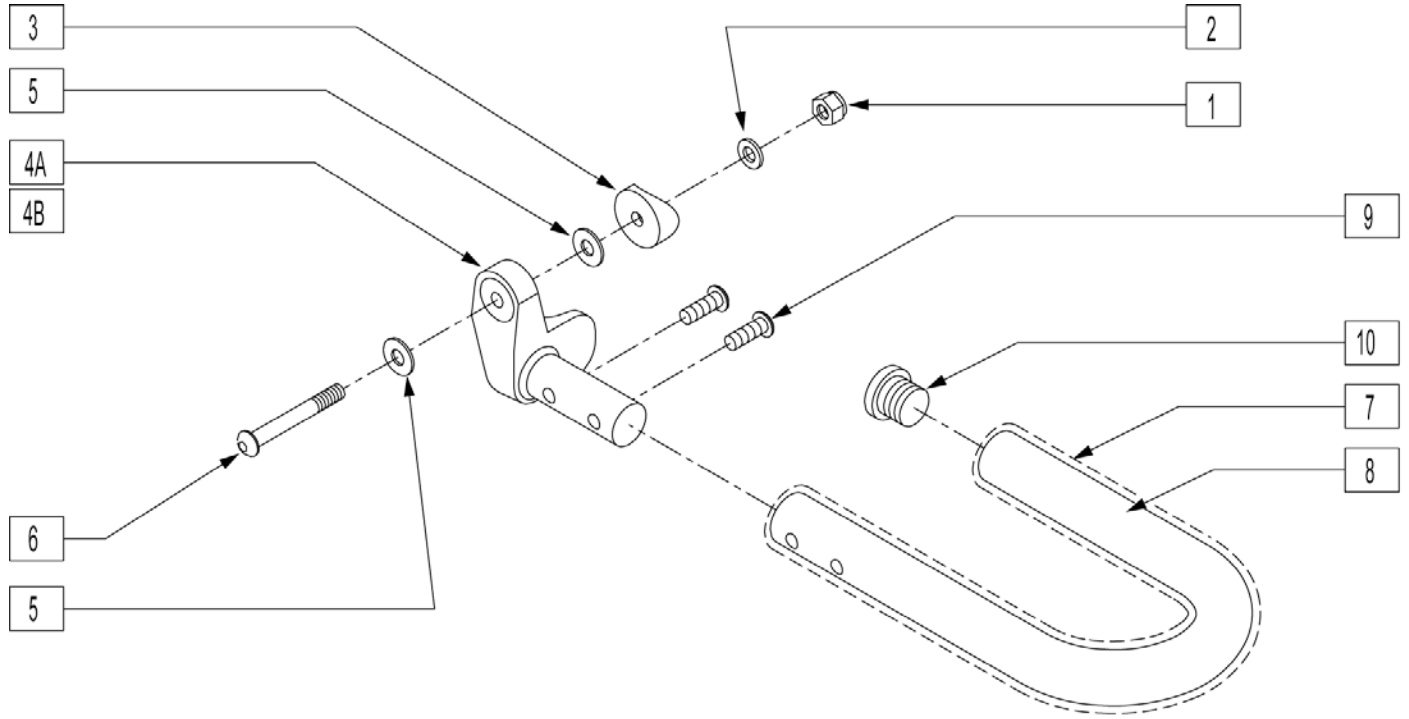
Pos.	Item Number	Description	Remarks
1	201100-QU	1/4 - 28 NYLOCK NUT	
2	561003	3/4" SADDLE THIN	
3	226165	1/4 - 28 x 2 1/2 SOC C/S	
4	561200	COMPOSITE FOOTPLATE 14 - 15 (16 - 18 V)	
4	561210	COMPOSITE FOOTPLATE 16 - 17 (19 - 20 V)	
4	561220	COMPOSITE FOOTPLATE 18 - 20	
5	561040	HEEL LOOP PEG	
6	741151	HEEL LOOP 14-15 COMPOSITE	
6	741153	HEEL LOOP 18-20 COMPOSITE/14-15 ANG ADJ	
6	902270	HEEL LOOP COMPOSITE FT 14-15	
6	902271	HEEL LOOP COMPOSITE FT 16-17	
6	902272	HEEL LOOP COMPOSITE FT 18-20	
6	741154	HEEL LOOP 14-15 COMPOSITE HEMI	
6	741155	HEEL LOOP 16-17 COMPOSITE HEMI	
6	741156	HEEL LOOP 18-20 COMPOSITE HEMI	
6	902260	HEEL LOOPS HEMI COMPOSITE 14-15	PAIR
6	902261	HEEL LOOPS HEMI COMPOSITE 16-17	PAIR
6	902262	HEEL LOOPS HEMI COMPOSITE 18-20	PAIR
6	741210	HEEL LOOP 14-15 BREEZY	
6	741211	HEEL LOOP 16-17 BREEZY	
6	741212	HEEL LOOP 18-20 BREEZY	
6	902290	HEEL LOOP 14-15 BREEZY	PAIR
6	902291	HEEL LOOP 16-17 BREEZY	PAIR
6	902292	HEEL LOOP 18-20 BREEZY	PAIR

Pos.	Item Number	Description	Remarks
7	262110-QU	1/4" AN WASHER FLAT THIN	
8	221110	1/4 - 20 x 1 HEX C/S	
1, 3, 4	921180	COMPOSITE FOOTPLATE ASSM 14-15	RIGHT
1, 3, 4	921181	COMPOSITE FOOTPLATE ASSM 14-15	LEFT
1, 3, 4	921182	COMPOSITE FOOTPLATE ASSM 16-17	RIGHT
1, 3, 4	921183	COMPOSITE FOOTPLATE ASSM 16-17	LEFT
1, 3, 4	921184	COMPOSITE FOOTPLATE ASSM 18-20	RIGHT
1, 3, 4	921185	COMPOSITE FOOTPLATE ASSM 18-20	LEFT
1, 3, 4	921151	COMPOSITE FOOTPLATE ASSM 14-15/16-18V	
1, 3, 4	921152	COMPOSITE FOOTPLATE ASSM 16-17/19-20V	
1, 3, 4	921153	COMPOSITE FOOTPLATE ASSM 18-20	
1, 3, 4	921190	COMPOSITE FOOTPLATE ASSM HL LP 14-15	RIGHT
	921191	COMPOSITE FOOTPLATE ASSM HL LP 14-15	LEFT
1, 3-8	921192	COMPOSITE FOOTPLATE ASSM HL LP 16-17	RIGHT
1, 3-8	921193	COMPOSITE FOOTPLATE ASSM HL LP 16-17	LEFT
1, 3-8	921194	COMPOSITE FOOTPLATE ASSM HL LP 18-20	RIGHT
1, 3-8	921195	COMPOSITE FOOTPLATE ASSM HL LP 18-20	LEFT
1, 3-8	921161	COMPOSITE FOOTPLATE ASSM HL 14-15/16-18V	
1, 3-8	921162	COMPOSITE FOOTPLATE ASSM HL 16-17/19-20V	
1, 3-8	921163	COMPOSITE FOOTPLATE ASSM HL 18-20	
1, 3-8	921167	COMPOSITE FOOTPLATE ASSM HEMI HL LPS 14-15	
1, 3-8	921168	COMPOSITE FOOTPLATE ASSM HEMI HL LPS 16-17	
1, 3-8	921169	COMPOSITE FOOTPLATE ASSM HEMI HL LPS 18-20	
1, 3-8	921140	COMPOSITE FOOTPLATE ASSM HEMI HL LP 14-15	RIGHT
1, 3-8	921141	COMPOSITE FOOTPLATE ASSM HEMI HL LP 14-15	LEFT
1, 3-8	921142	COMPOSITE FOOTPLATE ASSM HEMI HL LP 16-17	RIGHT
1, 3-8	921143	COMPOSITE FOOTPLATE ASSM HEMI HL LP 16-17	LEFT
1, 3-8	921144	COMPOSITE FOOTPLATE ASSM HEMI HL LP 18-20	RIGHT
1, 3-8	921145	COMPOSITE FOOTPLATE ASSM HEMI HL LP 18-20	LEFT



Pos.	Item Number	Description	Remarks
1	226090	1/4-28 x 5/8 BH C/S	
2	550739	FOOTPLATE MNT BRKT	
3	226148	1/4-28 x 1.85 BH C/S	
7A	550764	FOOTREST EXT TUBE ELR SHT CLR	14-18" LEG LENGHT
7B	550765	FOOTREST EXT TUBE ELR LONG CLR	16-20.5" LEG LENGTH
8	201100-QU	1/4-28 NYLOCK NUT THIN	
9	561003	3/4" SADDLE THIN	
4-6A	882337	ELR FOOTPLATE 14-15"W/END CAP	
4,5,6B	882338	ELR FOOTPLATE 16-17"W/END CAP	
4,5,6C	882339	ELR FOOTPLATE 18-20"W/END CAP	
1-6A,8,9	921400	ELR FOOTPLATE KIT 14-15" ANO (EA)	
1-5,6B,8,9	921401	ELR FOOTPLATE KIT 16-17" ANO (EA)	
1-5,6C,8,9	921402	ELR FOOTPLATE KIT 18-20" ANO (EA)	
1-6A,7A-9	101556	ELR FOOTPLATE KIT 14-15" SHT	
1-6B,7A-9	101557	ELR FOOTPLATE KIT 16-17" SHT	
1-6C,7A-9	101558	ELR FOOTPLATE KIT 18-20" SHT	
1-6A,7B-9	101559	ELR FOOTPLATE KIT 14-15" LNG	
1-6B,7B-9	101560	ELR FOOTPLATE KIT 16-17" LNG	
1-6C,7B-9	101561	ELR FOOTPLATE KIT 18-20" LNG	
1,3,4,8	101562	ELR FOOTPLATE HDWR KIT	

**NOTE:** \* ORDER ITEM 3 PRIOR TO 8/13/01.  
**\*\* ONLY 1 WASHER PRIOR TO 8/13/01.**  
**\*\*\* ORDER PART 226167 PRIOR TO 8/13/01.**



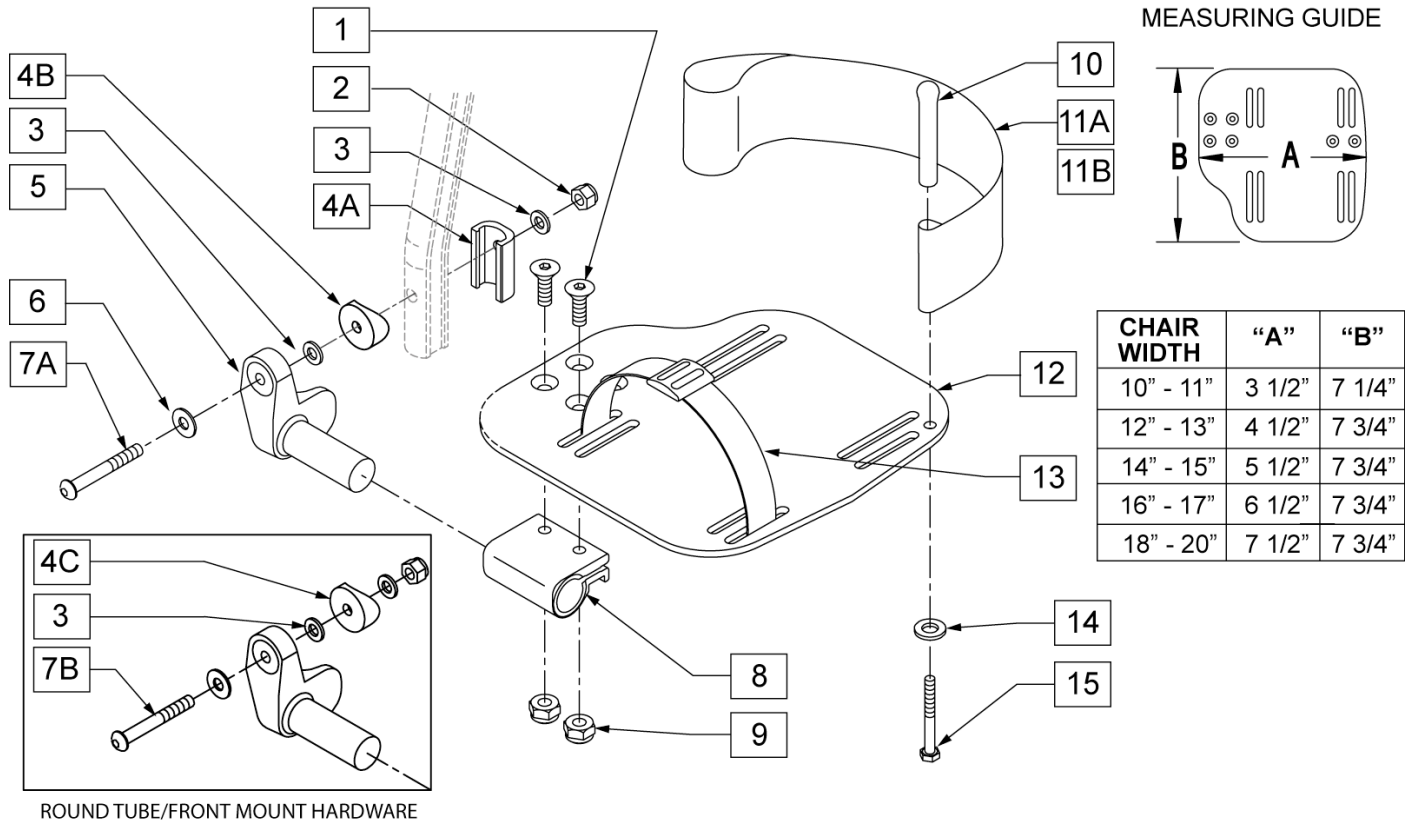
Pos.	Item Number	Description	Remarks
1	201120	1/4-28 AUTOMATION NUT	
2	262110-QU	1/4 AN WASHER FLAT THIN	
3*	561055	3/4" SADDLE 1" OD	USED PRIOR TO 8/13/01
5**	262120	1/4" SAE WASHER	1 WASHER PRIOR TO 8/13/01
6***	227140	1/4-28 x 1 3/4 BH C/S BLK ZN	226167 USED PRIOR TO 8/13/01
9	226168	1/4-28 x .875 BH C/S	
10	560735	7/8" ROUND TUBE PLUG	
1,2,4A ,5, 7-10	820420	FT REST LOOP 11 RIGHT	
1,2,4B ,5, 7-10	820421	FT REST LOOP 11 LEFT	
1,2,4A ,5, 7-10	820422	FT REST LOOP 12 RIGHT	
1,2,4B ,5, 7-10	820423	FT REST LOOP 12 LEFT	
1,2,4A ,5, 7-10	820424	FT REST LOOP 14 RIGHT	
1,2,4B ,5, 7-10	820425	FT REST LOOP 14 LEFT	
1,2,4A ,5, 7-10	820426	FT REST LOOP 16 RIGHT	
1,2,4B ,5, 7-10	820427	FT REST LOOP 16 LEFT	
1,2,4A ,5, 7-10	820428	FT REST LOOP 18 RIGHT	
1,2,4B ,5, 7-10	820429	FT REST LOOP 18 LEFT	
1,2,4 ,5, 7-10	921300	FT REST LOOP 11	PAIR
1,2,4 ,5, 7-10	921301	FT REST LOOP 12	PAIR
1,2,4 ,5, 7-10	921302	FT REST LOOP 14	PAIR
1,2,4 ,5, 7-10	921303	FT REST LOOP 16	PAIR
1,2,4,5, 7-10	921304	FT REST LOOP 18	PAIR

**NOTE:** FOR HIGH-MOUNT ADULT ANGLE-ADJUSTABLE FOOTPLATE, SEE "HIGH-MOUNT EXTENSION TUBE" PAGE.

\* ORDER ITEM 4 FOR CHAIRS PRIOR TO 8/13/01.

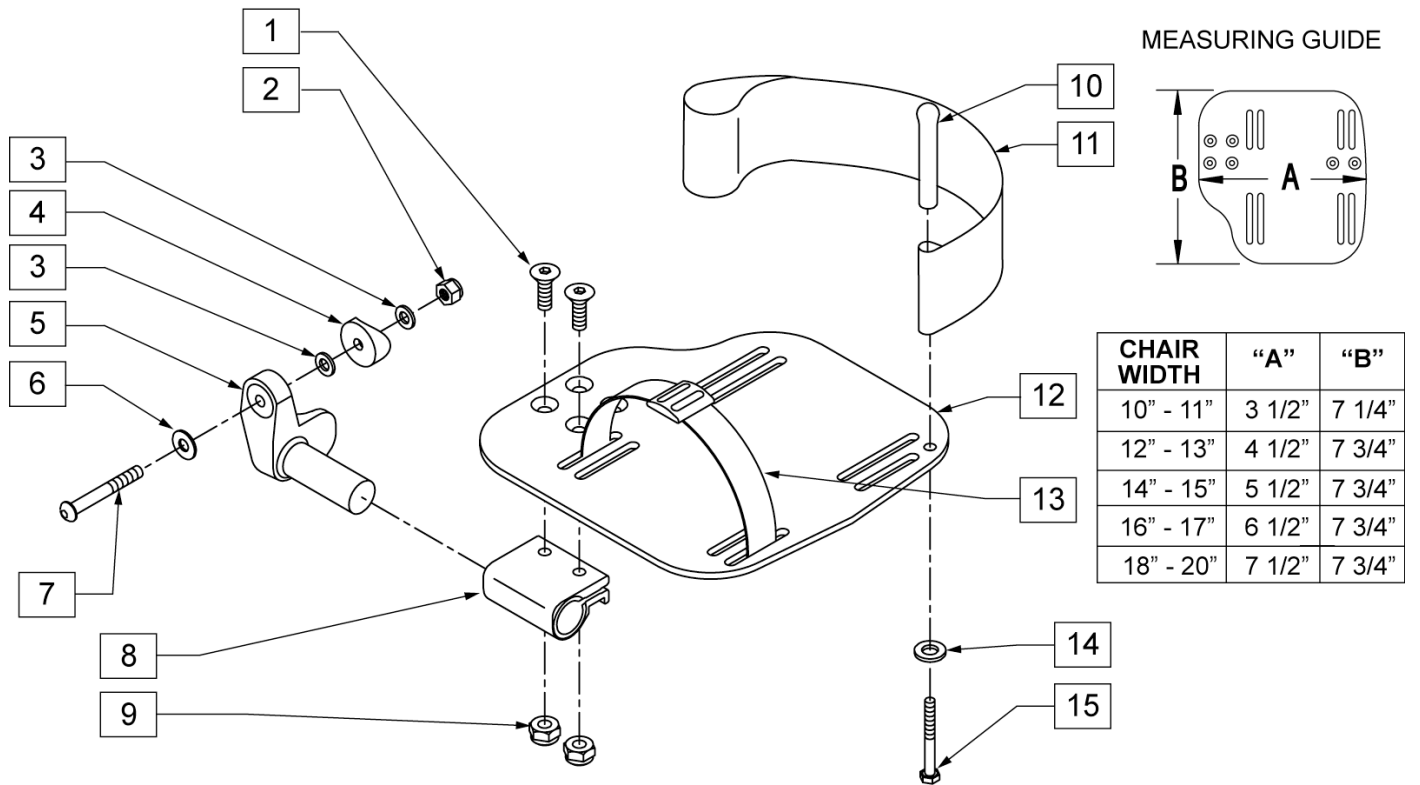
\*\* ONLY 1 WASHER PRIOR TO 8/13/01.

\*\*\* ORDER PART 226167 PRIOR TO 8/13/01.



Pos.	Item Number	Description	Remarks
1	226099	1/4-28 x 7/8 FH C/S	
2	201120	1/4-28 AUTOMATION NUT	
3	262110-QU	1/4 AN WASHER FLAT THIN	
4A	483720	HANGER EXTENSION SADDLE LONG	
4C	561004	1" SADDLE 1/4" HOLE	
4B	561055	3/4" SADDLE 1? OD	
5	541002	FTRST MOUNTING BRKT-3/8 RAD R	RIGHT
5	541003	FTRST MOUNTING BRKT-3/8 RAD L	LEFT
6	262120	1/4 SAE WASHER	
7A	227140	1/4-28 x 1 3/4 BH C/S BLK ZN	D2 EXTENSION TUBES
7B	226167	1/4-28 x 1.625 BH C/S BLK	ROUND EXTENSION TUBES
8	550350	3/4" CLMP ADJ FT PLT	
9	201100-QU	1/4-28 NYLOCK NUT THIN	
10	561040	HEEL LOOP PEG	
11A	741153	H/L 18-20 CMPST/14-15 ANG ADJ	
11B	741253	HEEL LOOP ADLT ADJ F/PLT 18-20	
12	500660	ADLT ANGL ADJ F/PLT 14/15	RIGHT

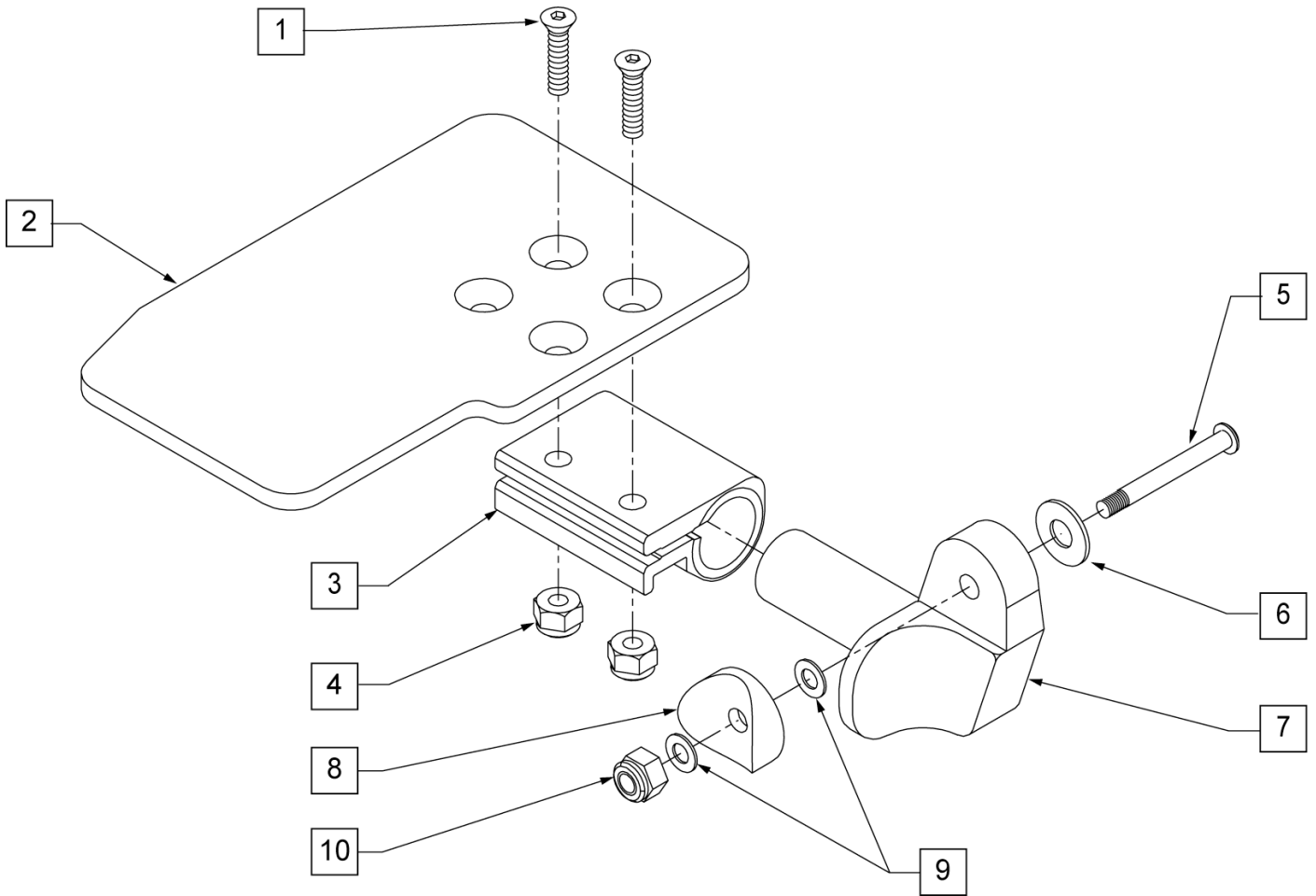
Pos.	Item Number	Description	Remarks
12	500661	ADLT ANGL ADJ F/PLT 14/15	LEFT
12	500662	ADLT ANGL ADJ F/PLT 16/17	RIGHT
12	500663	ADLT ANGL ADJ F/PLT 16/17	LEFT
12	500664	ADLT ANGL ADJ F/PLT 18-20	RIGHT
12	500665	ADLT ANGL ADJ F/PLT 18-20	LEFT
13	740260	TOE/ANKLE STRAP ADJ ADLT F/PLT	
14	262110-QU	1/4 AN WASHER FLAT THIN	
15	221110	1/4-20 x 1 HEX C/S	
16	262120	1/4" SAE WASHER	
1-3,5,6,8,9,12	820460	FP ADLT ADJ 14/15	RIGHT
1-3,5,6,8,9,12	820462	FP ADLT ADJ 14/15	LEFT
1-3,5,6,8,9,12	820464	FP ADLT ADJ 16/17	RIGHT
1-3,5,6,8,9,12	820466	FP ADLT ADJ 16/17	LEFT
1-3,5,6,8,9,12	820468	FP ADLT ADJ 18-20	RIGHT
1-3,5,6,8,9,12	820470	FP ADLT ADJ 18-20	LEFT
1-3,5,6,8,9,12	921320	FP ADLT ADJ 14/15	
1-3,5,6,8,9,12	921322	FP ADLT ADJ 16/17	
1-3,5,6,8,9,12	921324	FP ADLT ADJ 18-20	
1-3,5,6,8-10,11A, 12,14,15	820461	FP ADLT ADJ 14/15 HL	RIGHT
1-3,5,6,8-10,11A, 12,14,15	820463	FP ADLT ADJ 14/15 HL	LEFT
1-3,5,6,8-10,11A, 12,14,15	820465	FP ADLT ADJ 16/17 HL	RIGHT
1-3,5,6,8-10,11A, 12,14,15	820467	FP ADLT ADJ 16/17 HL	LEFT
1-3,5,6,8-10,11B, 12,14,15	820469	FP ADLT ADJ 18-20 HL	RIGHT
1-3,5,6,8-10,11B, 12,14,15	820471	FP ADLT ADJ 18-20 HL	LEFT
1-3,5,6,8-10,11A, 12,14,15	921321	FP ADLT ADJ 14/15 HL	
1-3,5,6,8-10,11A, 12,14,15	921323	FP ADLT ADJ 16/17 HL	
1-3,5,6,8-10,11B, 12,14,15	921325	FP ADLT ADJ 18-20 HL	
1-3B,6,7A,9,14-16	101533	ADLT ANG ADJ FP D2 HDWR KIT	
1-3B,6,7B,9,14-16	101534	ADLT ANG ADJ FP RND HDWR KIT	



Pos.	Item Number	Description	Remarks
1	226099	1/4-28 x 7/8 FH C/S	
2	201120	1/4-28 AUTOMATION NUT	
3	262110-QU	1/4" AN WASHER FLAT THIN	
4	561004	1" SADDLE 1/4" HOLE	
5	541000	FOOTREST MOUNTING BRKT-1" RAD	RIGHT
5	541001	FOOTREST MOUNTING BRKT-1" RAD	LEFT
6	262120	1/4" SAE WASHER	
7	226167	1/4-28 x 1.625 BH C/S BLK	
8	550350	3/4" CLAMP ADJ FOOTPLATE	
9	201100-QU	1/4-28 NYLOCK NUT THIN	
10	561040	HEEL LOOP PEG	
10	741153	HEEL LOOP 18-20 CMPST/14-15 ANG ADJ	
11	741253	HEEL LOOP ADLT ADJ F/PLT 18-20	
12	500656	ADULT ANGL ADJ F/PLT 10/11	RIGHT
12	500657	ADULT ANGL ADJ F/PLT 10/11	LEFT
12	500658	ADULT ANGL ADJ F/PLT 12/13	RIGHT
12	500659	ADULT ANGL ADJ F/PLT 12/13	LEFT
12	500660	ADULT ANGL ADJ F/PLT 14/15	RIGHT
12	500661	ADULT ANGL ADJ F/PLT 14/15	LEFT
12	500662	ADULT ANGL ADJ F/PLT 16/17	RIGHT
12	500663	ADULT ANGL ADJ F/PLT 16/17	LEFT
12	500664	ADULT ANGL ADJ F/PLT 18-20	RIGHT
12	500665	ADULT ANGL ADJ F/PLT 18-20	LEFT
13	740260	TOE-ANKLE STRAP ADJ ADULT FOOTPLATE	
14	262110-QU	1/4 AN WASHER FLAT THIN	
15	221110	1/4-20 x 1 HEX C/S	

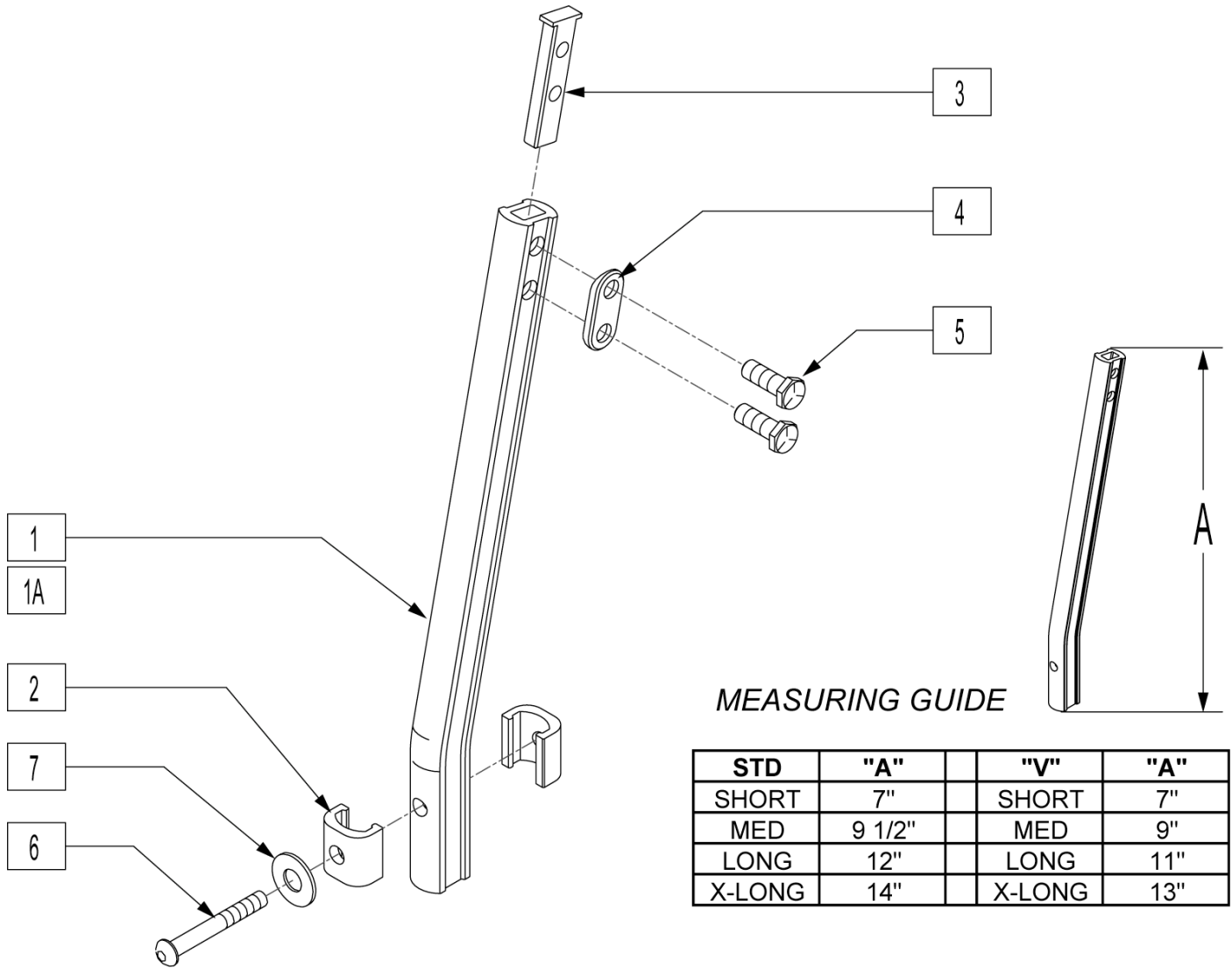
Pos.	Item Number	Description	Remarks
1-9,12	820472	FP ADLT ADJ 90D 14/15	RIGHT
1-9,12	820473	FP ADLT ADJ 90D 14/15	LEFT
1-9,12	820474	FP ADLT ADJ 90D 16/17	RIGHT
1-9,12	820475	FP ADLT ADJ 90D 16/17	LEFT
1-9,12	820476	FP ADLT ADJ 90D 18-20	RIGHT
1-9,12	820477	FP ADLT ADJ 90D 18-20	LEFT
1-9,12	820544	FP ADLT ADJ 90D 10/11	RIGHT
1-9,12	820546	FP ADLT ADJ 90D 12/13	LEFT
1-9,12	820554	FP ADLT ADJ 90D 10/11	RIGHT
1-9,12	820556	FP ADLT ADJ 90D 12/13	LEFT
1-9,12	921330	FP ADLT ADJ 90D 14/15	PAIR
1-9,12	921331	FP ADLT ADJ 90D 16/17	PAIR
1-9,12	921332	FP ADLT ADJ 90D 18-20	PAIR
1-9,12	921464	ADULT ANGL ADJ F/PLT 10 OMT H/L	PAIR
1-9,12	921466	ADULT ANGL ADJ F/PLT 12 OMT H/L	PAIR
1-9,12	921474	ADULT ANGL ADJ 90D 10 OMIT H/L	PAIR
1-9,12	921476	ADULT ANGL ADJ 90D 12 OMIT H/L	PAIR
1-12, 14,15	820478	F/PLT ADULT ADJ 90D 14/15 HL	RIGHT
1-12, 14,15	820479	F/PLT ADULT ADJ 90D 14/15 HL	LEFT
1-12, 14,15	820480	F/PLT ADULT ADJ 90D 16/17 HL	RIGHT
1-12, 14,15	820481	F/PLT ADLT ADJ 90D 16/17 HL	LEFT
1-12, 14,15	820482	F/PLT ADLT ADJ 90D 18-20 HL	RIGHT
1-12, 14,15	820483	F/PLT ADLT ADJ 90D 18-20 HL	LEFT
1-12, 14,15	820520	ADULT ANGL ADJ F/PLT 10/11H/L	RIGHT
1-12, 14,15	820522	ADULT ANGL ADJ F/PLT 12/13 H/L	RIGHT
1-12, 14,15	921333	F/PLT ADULT ADJ 90D 14/15 HL	PAIR
1-12, 14,15	921334	F/PLT ADULT ADJ 90D 16/17 HL	PAIR
1-12, 14,15	921335	F/PLT ADULT ADJ 90D 18-20 HL	PAIR
1-12, 14,15	921460	ADULT ANGL ADJ F/PLATE 10 H/L	PAIR
1-12, 14,15	921462	ADULT ANGL ADJ F/PLATE 12 H/L	PAIR
1-12, 14,15	921470	ADULT ANGL ADJ 90D F/PLT 10 H/L	PAIR
1-12, 14,15	921472	ADULT ANGL ADJ 90D F/PLT 12 H/L	PAIR
1-12, 14,15	921472	ADULT ANGL ADJ 90D F/PLT 12 H/L	PAIR





Pos.	Item Number	Description	Remarks	Pos.	Item Number	Description	Remarks
1	226099	1/4-28 x 7/8 FH C/S		9	262110-QU	1/4 AN WASHER FLAT THIN	
2	500635	KIDS ANGL ADJ F/PLT 10	RIGHT	10	201110-QU	1/4-28 NYLOCK NUT	
2	500636	KIDS ANGL ADJ F/PLT 10	LEFT	1-10	828821	KIDS ANG ADJ F/PLT ASSM 10	RIGHT
2	500637	KIDS ANGL ADJ F/PLT 11	RIGHT	1-10	828822	KIDS ANG ADJ F/PLT ASSM 10	LEFT
2	500638	KIDS ANGL ADJ F/PLT 11	LEFT	1-10	828823	KIDS ANG ADJ F/PLT ASSM 11	RIGHT
2	500639	KIDS ANGL ADJ F/PLT 12	RIGHT	1-10	828824	KIDS ANG ADJ F/PLT ASSM 11	LEFT
2	500640	KIDS ANGL ADJ F/PLT 12	LEFT	1-10	828825	KIDS ANG ADJ F/PLT ASSM 12	RIGHT
2	500641	KIDS ANGL ADJ F/PLT 13	RIGHT	1-10	828826	KIDS ANG ADJ F/PLT ASSM 12	LEFT
2	500642	KIDS ANGL ADJ F/PLT 13	LEFT	1-10	828827	KIDS ANG ADJ F/PLT ASSM 13	RIGHT
2	500643	KIDS ANGL ADJ F/PLT 14	RIGHT	1-10	828828	KIDS ANG ADJ F/PLT ASSM 13	LEFT
2	500644	KIDS ANGL ADJ F/PLT 14	LEFT	1-10	828829	KIDS ANG ADJ F/PLT ASSM 14	RIGHT
2	500645	KIDS ANGL ADJ F/PLT 15	RIGHT	1-10	828830	KIDS ANG ADJ F/PLT ASSM 14	LEFT
2	500646	KIDS ANGL ADJ F/PLT 15	LEFT	1-10	828831	KIDS ANG ADJ F/PLT ASSM 15	RIGHT
2	500647	KIDS ANGL ADJ F/PLT 16	RIGHT	1-10	828832	KIDS ANG ADJ F/PLT ASSM 15	LEFT
2	500648	KIDS ANGL ADJ F/PLT 16	LEFT	1-10	828833	KIDS ANG ADJ F/PLT ASSM 16	RIGHT
3	550350	3/4 CLAMP ADJ FOOTPLATE		1-10	828834	KIDS ANG ADJ F/PLT ASSM 16	LEFT
4	201100-QU	1/4-28 NYLOCK NUT THIN		1-10	921226	KIDS ANG ADJ F/PLT ASSM 10	PAIR
5	226150	1/4-28 x 2 BH C/S		1-10	921227	KIDS ANG ADJ F/PLT ASSM 11	PAIR
6	262120	1/4 SAE WASHER		1-10	921228	KIDS ANG ADJ F/PLT ASSM 12	PAIR
7	541000	FTRST MOUNTING BRKT 1 RAD	RIGHT	1-10	921229	KIDS ANG ADJ F/PLT ASSM 13	PAIR
7	541001	FTRST MOUNTING BRKT 1 RAD	LEFT	1-10	921230	KIDS ANG ADJ F/PLT ASSM 14	PAIR
8	561004	1 SADDLE 1/4 HOLE		1-10	921231	KIDS ANG ADJ F/PLT ASSM 15	PAIR

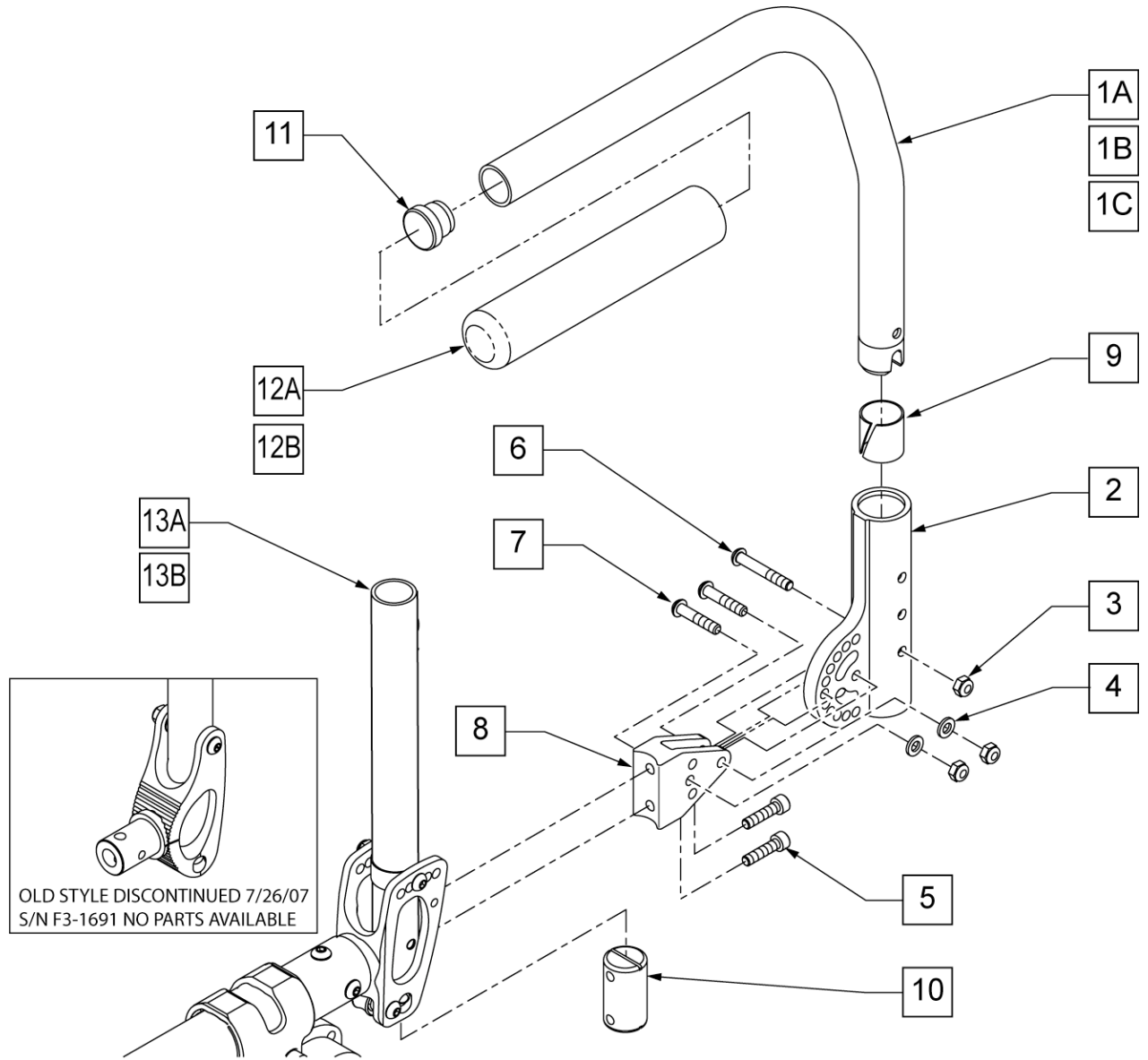
<b>Pos.</b>	<b>Item Number</b>	<b>Description</b>	<b>Remarks</b>
1-10	921232	KIDS ANG ADJ F/PLT ASSM 16	PAIR



Pos.	Item Number	Description	Remarks
1A	550819	EXT TBE S/A ONLY SHT	
1A	550820	EXT TBE S/A ONLY MED	
1A	550821	EXT TBE S/A ONLY LONG	
1A	550822	EXT TBE S/A ONLY X-LNG	
1B	550834	EXT TBE INVIN ONLY D2 SHT R	
1B	550835	EXT TBE INVIN ONLY D2 SHT L	
1B	550836	EXT TBE INVIN ONLY D2 MED R	
1B	550837	EXT TBE INVIN ONLY D2 MED L	
1B	550838	EXT TBE INVIN ONLY D2 LNG R	
1B	550839	EXT TBE INVIN ONLY D2 LNG L	
1B	550840	EXT TBE INVIN ONLY D2 X-LNG R	
1B	550841	EXT TBE INVIN ONLY D2 X-LNG L	
2	483720	HANGER EXTENSION SADDLE	
3	500078	INSERT D2 EXT TUBE	
4	483717	HANGER SADDLE	
5	221102	1/4-28 x 3/4 HEX HEAD C/S BLK W/PTCH	
6	227140	1/4-28 x 1 3/4 BH C/S BLK ZN	
7	262120	1/4" SAE WASHER	

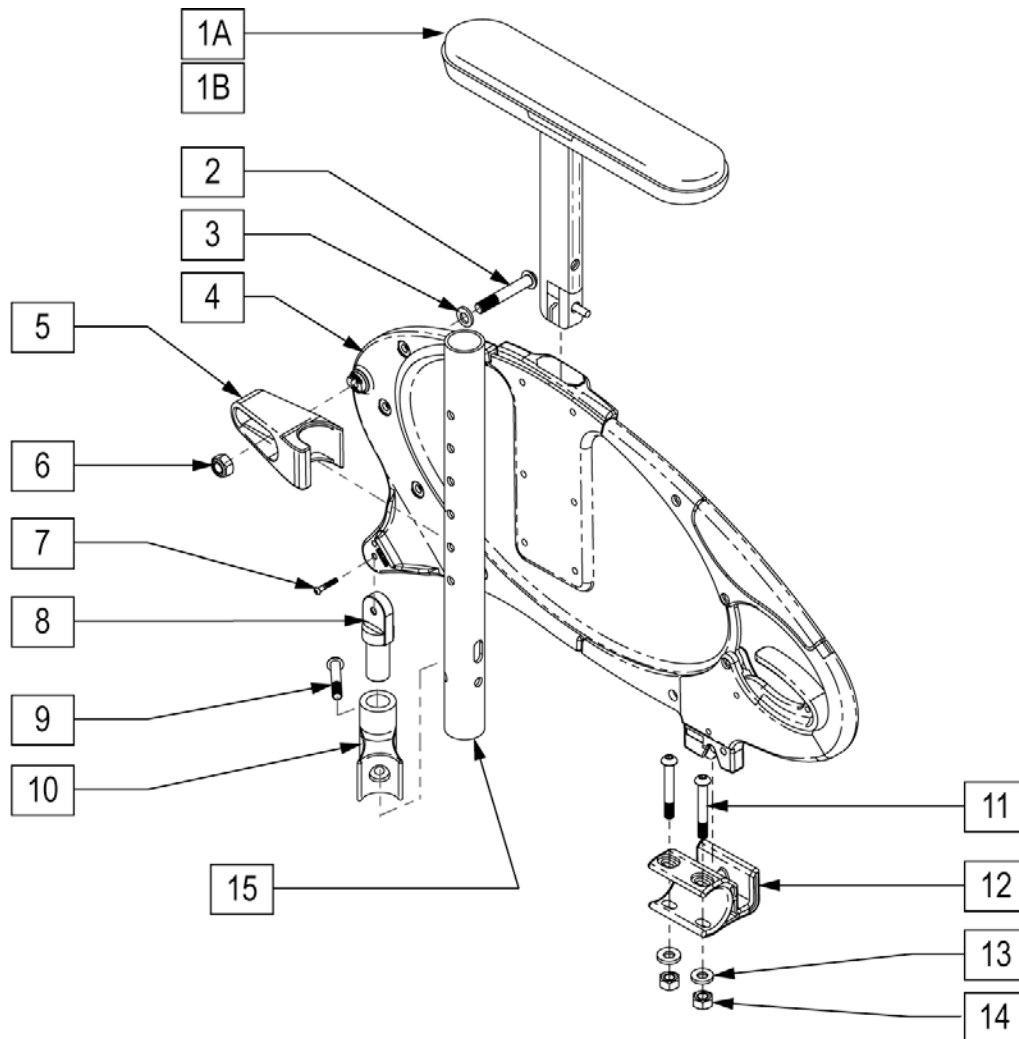
Pos.	Item Number	Description	Remarks
1A,2-5	921759	EXT TBE S/A SHT ASSM PCKT	
1A,2-5	921760	EXT TBE S/A MED ASSM PCKT	
1A,2-5	921761	EXT TBE S/A LNG ASSM PCKT	
1A,2-5	921762	EXT TBE S/A X-LNG ASSM PCKT	
1B,2-5	921751	EXT TBE "V" D2 SHT R ASSM PCKT	
1B,2-5	921752	EXT TBE "V" D2 SHT L ASSM PCKT	
1B,2-5	921753	EXT TBE "V" D2 MED R ASSM PCKT	
1B,2-5	921754	EXT TBE "V" D2 MED L ASSM PCKT	
1B,2-5	921755	EXT TBE "V" D2 LNG R ASSM PCKT	
1B,2-5	921756	EXT TBE "V" D2 LNG L ASSM PCKT	
1B,2-5	921757	EXT TBE V D2 X-LNG R ASSM PCKT	
1B,2-5	921758	EXT TBE V D2 X-LNG L ASSM PCKT	
1A,2-7	921772	EXT TBE S/A SHT ANG ADJ PCKT	
1A,2-7	921773	EXT TBE S/A MED ANG ADJ PCKT	
1A,2-7	921774	EXT TBE S/A LNG ANG ADJ PCKT	
1A,2-7	921776	EXT TBE S/A XLNG ANG ADJ PCKT	
1B,2-7	921764	EXT TB V D2 SHT R ANG ADJ PCKT	
1B,2-7	921765	EXT TB V D2 SHT L ANG ADJ PCKT	
1B,2-7	921766	EXT TB V D2 MED R ANG ADJ PCKT	
1B,2-7	921767	EXT TB V D2 MED L ANG ADJ PCKT	
1B,2-7	921768	EXT TB V D2 LNG R ANG ADJ PCKT	
1B,2-7	921769	EXT TB V D2 LNG L ANG ADJ PCKT	
1B,2-7	921770	EXT TB V D2 XLNG R ANG AD PCKT	
1B,2-7	921771	EXT TB V D2 XLNG L ANG AD PCKT	

**NOTE:** If adding SWING AWAY ARMREST to chair built prior to 7/26/07, serial no. F3-1692, you must order part number 104771 or 104772.  
 \* Required with DEPTH ADJ EXTENSION.

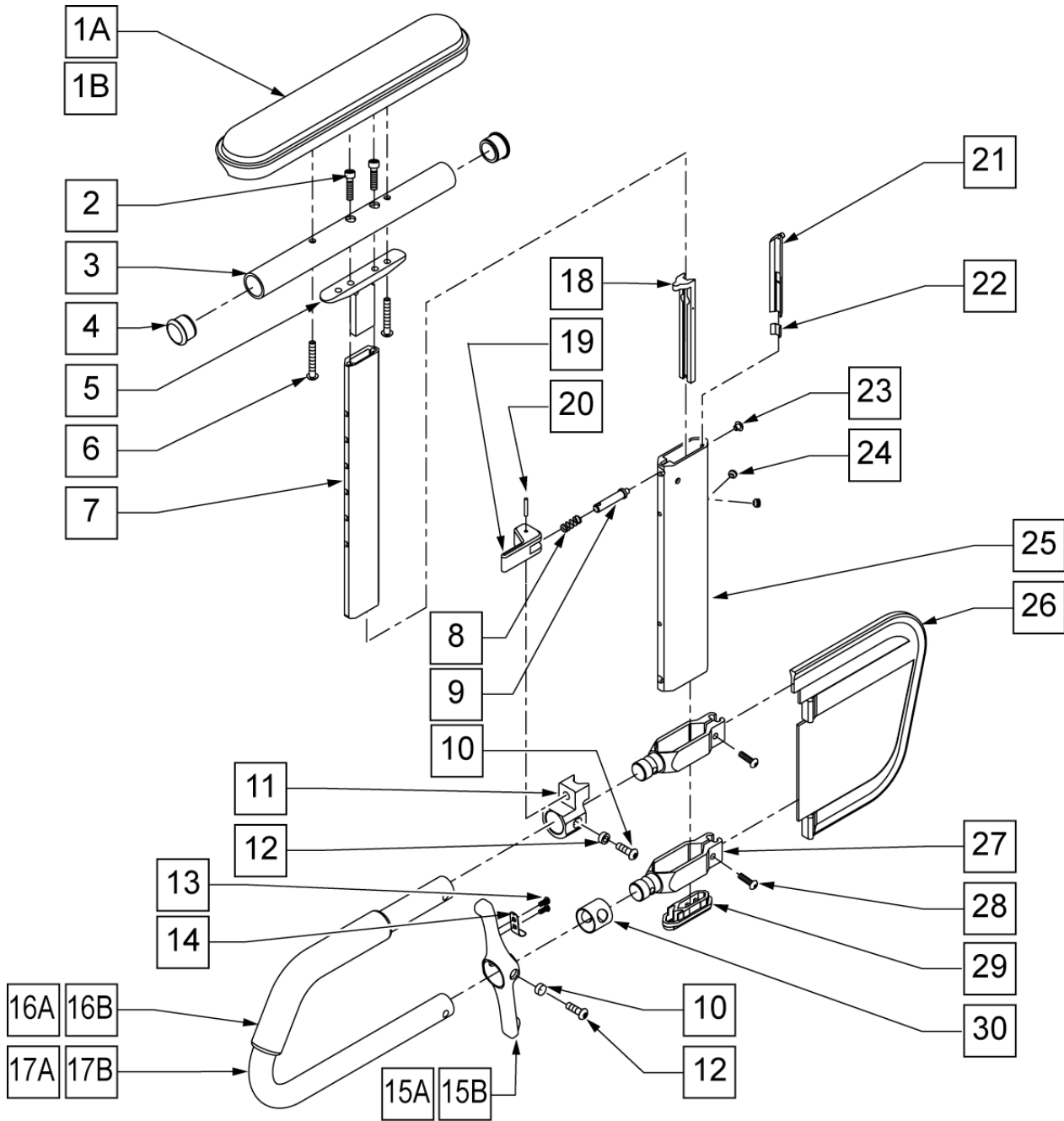


Pos.	Item Number	Description	Remarks
1A,11,12A*	101508	PADDED ARMREST S/A LONG R	RIGHT-LONG 12" LONG
1A,11,12A*	101509	PADDED ARMREST S/A LONG L	LEFT-LONG 12" LONG
1B,11,12A	881254	PADDED ARMREST RIGHTHAND QTNT	RIGHT-ADULT 10" LONG
1B,11,12A	881255	PADDED ARMREST LEFTHAND QTNT	LEFT-ADULT 10" LONG
1C,11,12B	050264	PADDED ARM S/A RIGHT PEDIATRIC	RIGHT-PED/KIDS 8" LONG
1C,11,12B	050265	PADDED ARM S/A LEFT PEDIATRIC	LEFT-PEDS/KIDS 8" LONG
2	052166	RECEIVER ANG ADJ SA ARMREST	
3	200113	NUT HEX NYLOCK M6 X 1	
4	250104	WASHER FLAT M6	
5	013157	SHCS M6 X 1 X 25 BLK W/PL	
6	230117	BHCS M6 X 1 X 40	
7	230044	BHCS M6 X 30MM	
8	052165	BRACKET ANG ADJ SA ARMREST	
9	560400	1" I.D. NY-LINER	
10	101301-001	INSERT BACKREST 20.90 OD	
11	561002	1" INSERT PLUG .083	
12A	560300	9x .940 x .200 FOAM GRIP	
12B	560299	FOAM GRIP 7 X .940 X .20 (PEDIATRIC)	

If adding the Three Point Armrest to chair you must order Three Point Backrest Tube.



Pos.	Item Number	Description	Remarks
1A	054449	SHORT ARMPAD HEIGHT ADJ	
1A	054449-001	SHORT ARMPAD HEIGHT ADJ	PAIR
1B	054449-003	LONG ARM PAD HGT ADJ	RIGHT
1B	054449-004	LONG ARM PAD HGT ADJ	LEFT
9	013252	BHCS M6 X 1 X 35 BLK	
11	230118	BHCS M6 X 1 X 45 BLK	
13	250104	WASHER FLAT M6	
14	200113	NUT HEX NYLOCK M6 X 1	
2-15	102540-001	DESK S/G 3-PT ASSM RT	RIGHT 10-14 & 12-16
2-15	102540-002	DESK S/G 3-PT ASSM LT	LEFT 10-14 & 12-16
2-15	103087-001	3 PT ASSM R 14-18 AND 16-20	
2-15	103087-002	3 PT ASSM L 14-18 AND 16-20	
2-8,10,12	054493-001	DESK SIDEGUARD PAIR	
2-8,10,12	054493-002	DESK SIDEGUARD RIGHT	
2-8,10,12	054493-003	DESK SIDEGUARD LEFT	



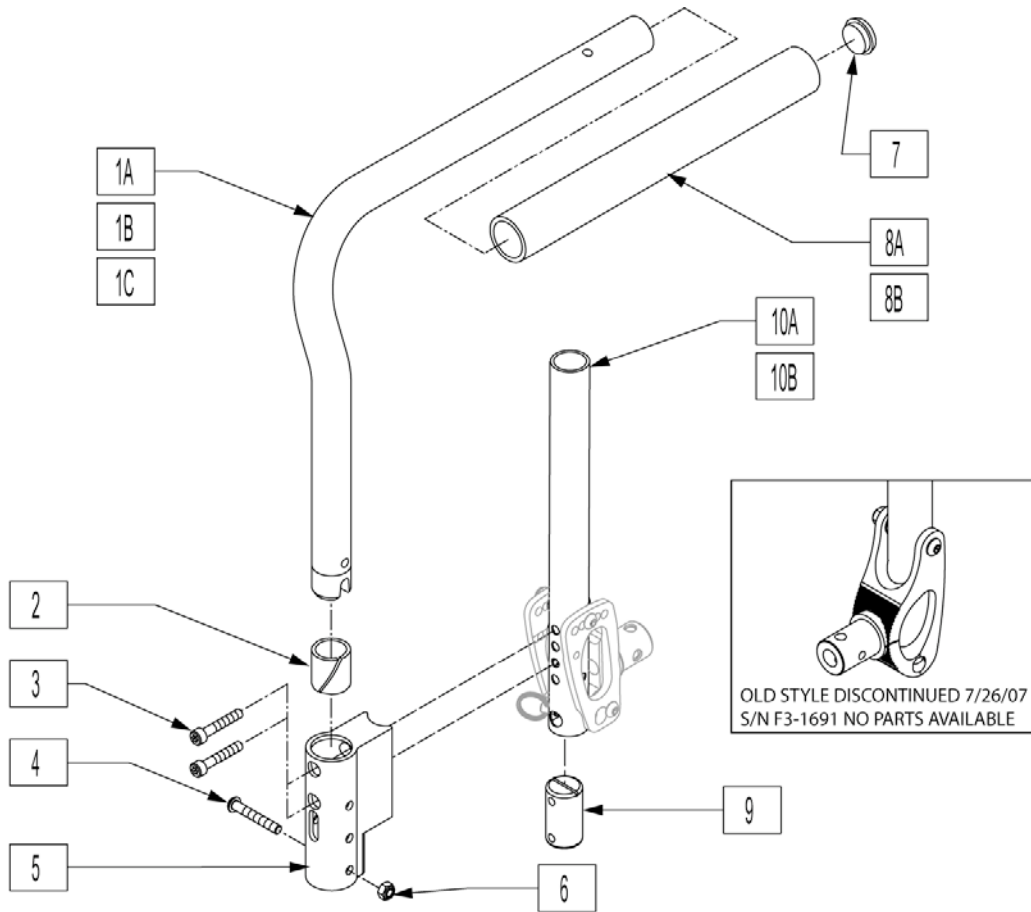
Pos.	Item Number	Description	Remarks
1A	561024	ARMREST PAD 10" DESK	DESK
1B	561031	ARMREST PAD 14" FULL	FULL
2	226031	10-32 x 1 1/4 SOC C/S BLK	
3	521812	HT ADJ PAD TUBE 10" DESK POWER	
3	521813	HT ADJ PAD TUBE 14" FULL POWER	
4	560735	7/8" ROUND TUBE PLUG	
5	505084	HT ADJ ARMREST GUSSET	
6	226038	10-32 x 1 3/8 BH C/S BLK	
7	550481	HT ADJ ARM INNER TUBE	
7	550478	HT ADJ ARM INNER TUBE PED	
8	321141	.650L X 6 COIL SPRING	



Pos.	Item Number	Description	Remarks
9	481258	UPPER ARM RELEASE PIN	
10	226056	10-32 x 1/2 BH C/S BLK W/PATCH	
11	560266	UPPER RELEASE PIN HOUSING	
12	481257	RECEIVER RELEASE LEVER BUSHING	
13	281045	#6 x 1/4 PAN PHIL S/M/S	
14	321721	LEVER RETURN SPRING	
15A	501551	RECEIVER RELEASE LEVER STD	ADULT
15B	501552	RECEIVER RELEASE LEVER KIDZ	KIDS
16A	560610	5" x .705 x .125 FOAM TUBE	KIDS
16B	560627	7 1/2" x .705 x .125 FOAM TUBE	ADULT
17A	521820	HT ADJ TRANSFER TUBE STD	
17B	521821	HT ADJ TRANSFER TUBE KIDS	
18	561109	ARMREST LEVER FLIP-BACK HT ADJ	
19	341088	3/32 x 5/8 ROLL PIN	
20	561132	HT ADJ ARM FRONT LINER	
21	561133	HT ADJ ARM REAR LINER	
22	321151	HT ADJ LINER SPRING	
23	330092	#4 x 5/32 STICK SCREW	
24	225098	10-32 x 1/8 SET SCR W/PATCH B	
25	550480	HT ADJ ARM OUTER TUBE	
25	550479	HT ADJ ARM OUTER TUBE PED	
26A	561140	HT ADJ SKIRT GUARD STD	ADULT
26B	561141	HT ADJ SKIRT GUARD KIDS	KIDS
27	550482	HT ADJ SKIRT CLAMP	
28	226020-QU	10-32 x 5/8 BH C/S BLK	
29	561135	HT ADJ ARM BOTTOM PLUG	
30	562825	RELEASE LEVER INNER SLEEVE	
1A-7	880192	HT ADJ UPPR ARM ASSM PWR DSK R	DESK
1A-7	880198	HT ADJ UPPR ARM ASSM PWR DSK L	DESK
1B-7	880193	HT ADJ UPPR ARM ASSM PWR FL R	FULL
1B-7	880199	HT ADJ UPPR ARM ASM PWR FL L	FULL
8,9,11, 18,19	888003	HT ADJ UPPR ARM REL ASSM R	RIGHT
8,9,11, 18,19	888004	HT ADJ UPPR ARM REL ASSM L	LEFT
13-15A	888000	HT ADJ REC REL LEVER ASSM STD	ADULT
13-15B	888001	HT ADJ REC REL LEVER ASSM KIDS	KIDS
8,15A,16A,17A-26A-30	882082	HT ADJ LOWER DC ARM ASSM	KIDS
8,15A,16A,17A-26A-30	882083	HT ADJ LOWER DC ARM ASM KIDS R	KIDS
8,15B,16B,17B-26B-30	882084	HT ADJ LOWER DC ARM ASSM STD R	ADULT
8,15B,16B,17B-26B-30	882085	HT ADJ LOWER DC ARM ASSM STD L	ADULT
8,15A,16A,17A-26A-30	880210	HT ADJ STD R W/DSK ARM PAD PWR	RIGHT/ADULT/DESK
8,15A,16A,17A-26A-30	880211	HT ADJ STD L W/DSK ARM PAD PWR	LEFT/ADULT/DESK
8,15A,16A,17A-26A-30	880212	HT ADJ STD R W/FULL ARM PD PWR	RIGHT/ADULT/FULL
8,15A,16A,17A-26A-30	880213	HT ADJ STD L W/FULL ARM PD PWR	LEFT/ADULT/FULL
8,15B,16B,17B-26B-30	880214	HT ADJ KDS R W/DSK ARM PAD PWR	RIGHT/KIDS/DESK
8,15B,16B,17B-26B-30	880215	HT ADJ KDS L W/DSK ARM PAD PWR	LEFT/KIDS/DESK
8,15B,16B,17B-26B-30	880216	HT ADJ KDS R W/FULL ARM PD PWR	RIGHT/KIDS/FULL
8,15B,16B,17B-26B-30	880217	HT ADJ KDS L W/FULL ARM PD PWR	LEFT/KIDS/FULL
8-15A, 18-20, 29,30	888800	HT ADJ ARM UPGRADE KIT STD R	RIGHT/ADULT
8-15A, 18-20, 29,30	888801	HT ADJ ARM UPGRADE KIT STD L	LEFT/ADULT
8-15B, 18-20, 29,30	888802	HT ADJ ARM UPGRADE KIT KIDS R	RIGHT/KIDS
8-15B, 18-20, 29,30	888803	HT ADJ ARM UPGRADE KIT KIDS L	LEFT/KIDS
8-15A, 18-20, 29,30	921900	HT ADJ SNGL PST UPGRD KIT STD	PAIR
8-15B, 18-20, 29,30	921901	HT ADJ SNGL PST UPGRD KIT KIDS	PAIR
1A,2-15A,16A,17A-26A-30	900650	HT ADJ ASSM STD W/ DESK ARM	PAIR/ADULT/DESK
1B,2-15A,16A,17A-26A-30	900651	HT ADJ ASSM STD W/ FULL ARM	PAIR/ADULT/FULL
1A,2-15B,16B,17B,26B-30	900652	HT ADJ ASSM KIDS W/ DESK ARM	PAIR/KIDS/DESK
1B,2-15B,16B,17B-26B-30	900657	HT ADJ ASSM KIDS W/ FULL ARM	PAIR/KIDS/FULL

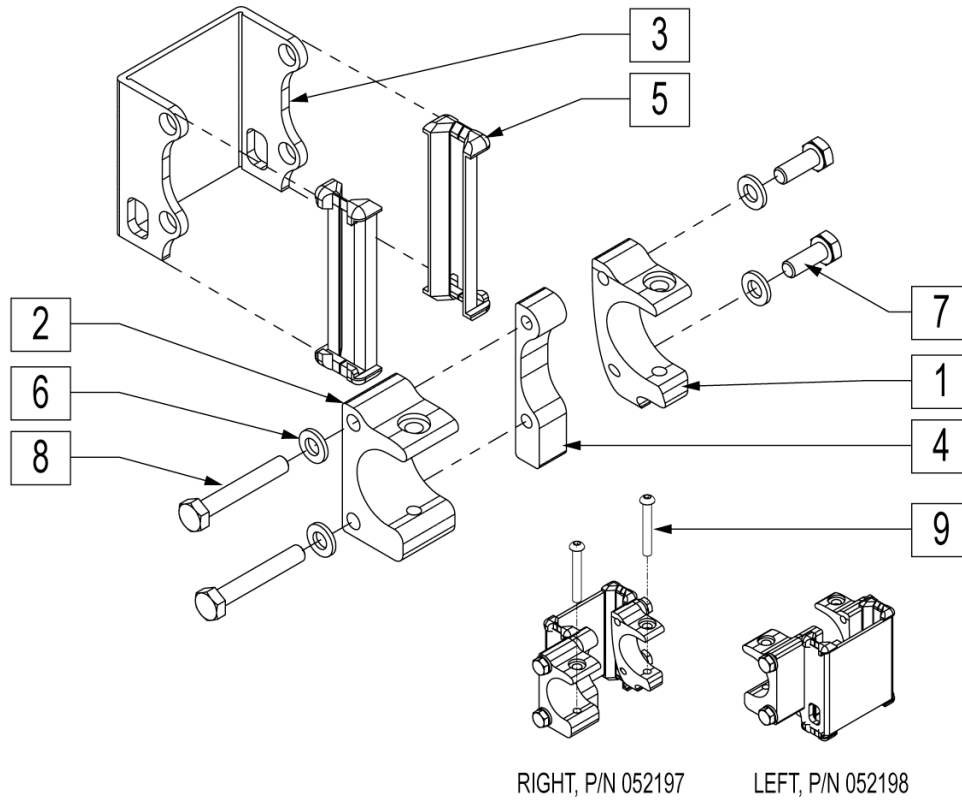
<b>Pos.</b>	<b>Item Number</b>	<b>Description</b>	<b>Remarks</b>
1A,2-15B,16B,17B,26B-30	900652	HT ADJ ASSM KIDS W/ DESK ARM	PAIR/KIDS/DESK
1B,2-15B,16B,17B-26B-30	900657	HT ADJ ASSM KIDS W/ FULL ARM	PAIR/KIDS/FULL

**NOTE:** IF ADDING SWING-AWAY ARMREST TO CHAIR BUILT PRIOR TO 7/26/07, SERIAL NUMBER F3-1692, YOU MUST ORDER BACKREST TUBE.

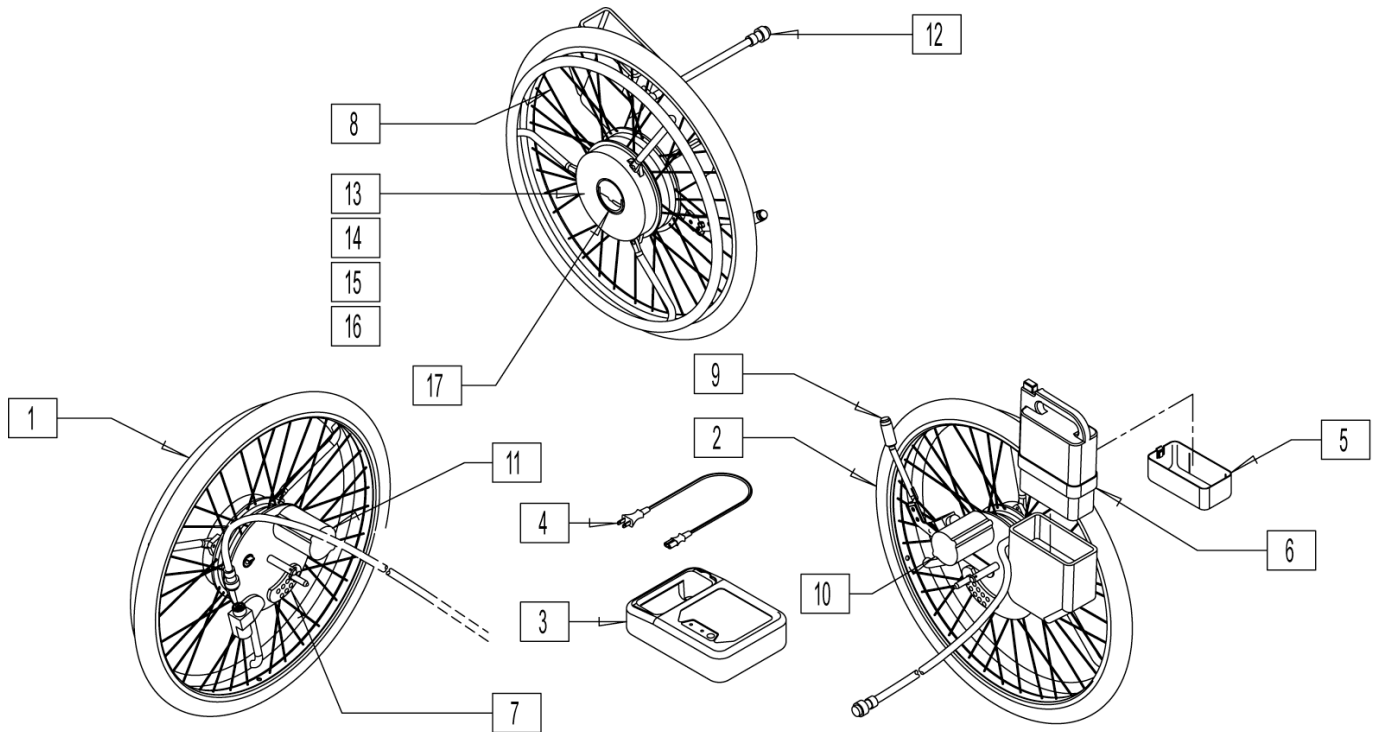


Pos.	Item Number	Description	Remarks
2	560400	1" I.D. NY-LINER	
3	230008	SHCS M6 X 1 X 35 BL	
4	230117	BHCS M6 X 1 X 40	
6	200113	NUT HEX NYLOCK M6 X 1	
7	561002	1" INSERT PLUG .083	
8A	560300	9 x .940 x .200 FOAM GRIP	
8B	560299	FOAM GRIP 7 X .940 X .20 (PEDIATRIC)	
9	101301-001	INSERT BACKREST 20.90 OD	
1A,7,8A	881254	PADDED ARMREST RIGHTHAND QTNT	RIGHT-ADULT 10" LONG
1A,7,8A	881255	PADDED ARMREST LEFTHAND QTNT	LEFT-ADULT 12" LONG
1B,7,8B	050264	PADDED ARM S/A RIGHT PEDIATRIC	RIGHT-PED/KIDS 8" LONG
1B,7,8B	050265	PADDED ARM S/A LEFT PEDIATRIC	LEFT-PEDS/KIDS 8" LONG
1C,7,8A	101508	PADDED ARMREST S/A LONG R	RIGHT-LONG 12" LONG
1C,7,8A	101509	PADDED ARMREST S/A LONG L	LEFT-LONG 12" LONG
4-8	050188	RECEIVER W/ HDWR	
2-6	050188	RECEIVER ARMREST SA W/ HDWR	
9,10A	104772	FRM ALUM BKREST STD PAD ARM	
9,10B	104733	FRM ALUM BKREST TALL PAD ARM	

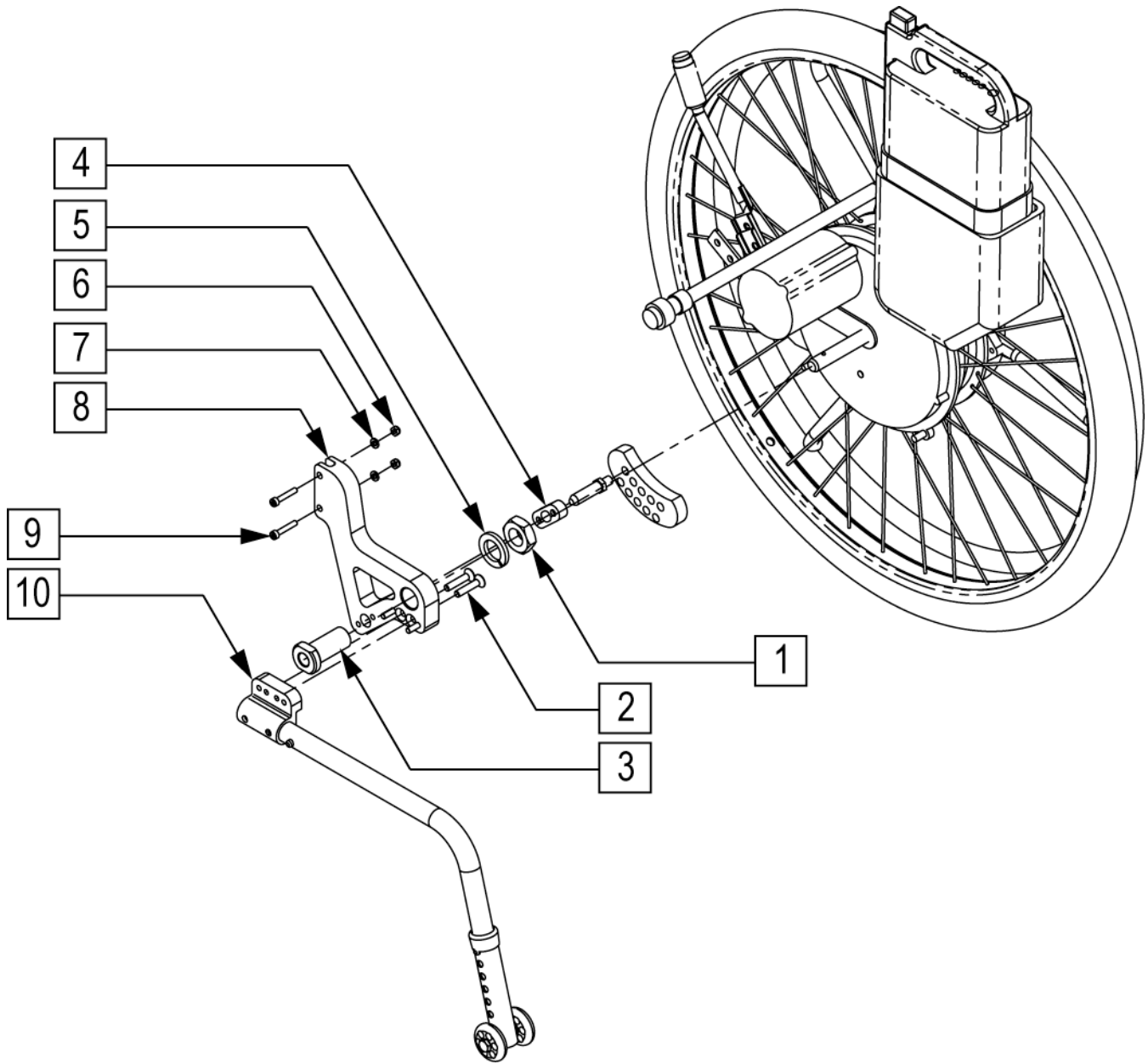
**HEIGHT ADJUSTABLE ARMREST RECEIVER**



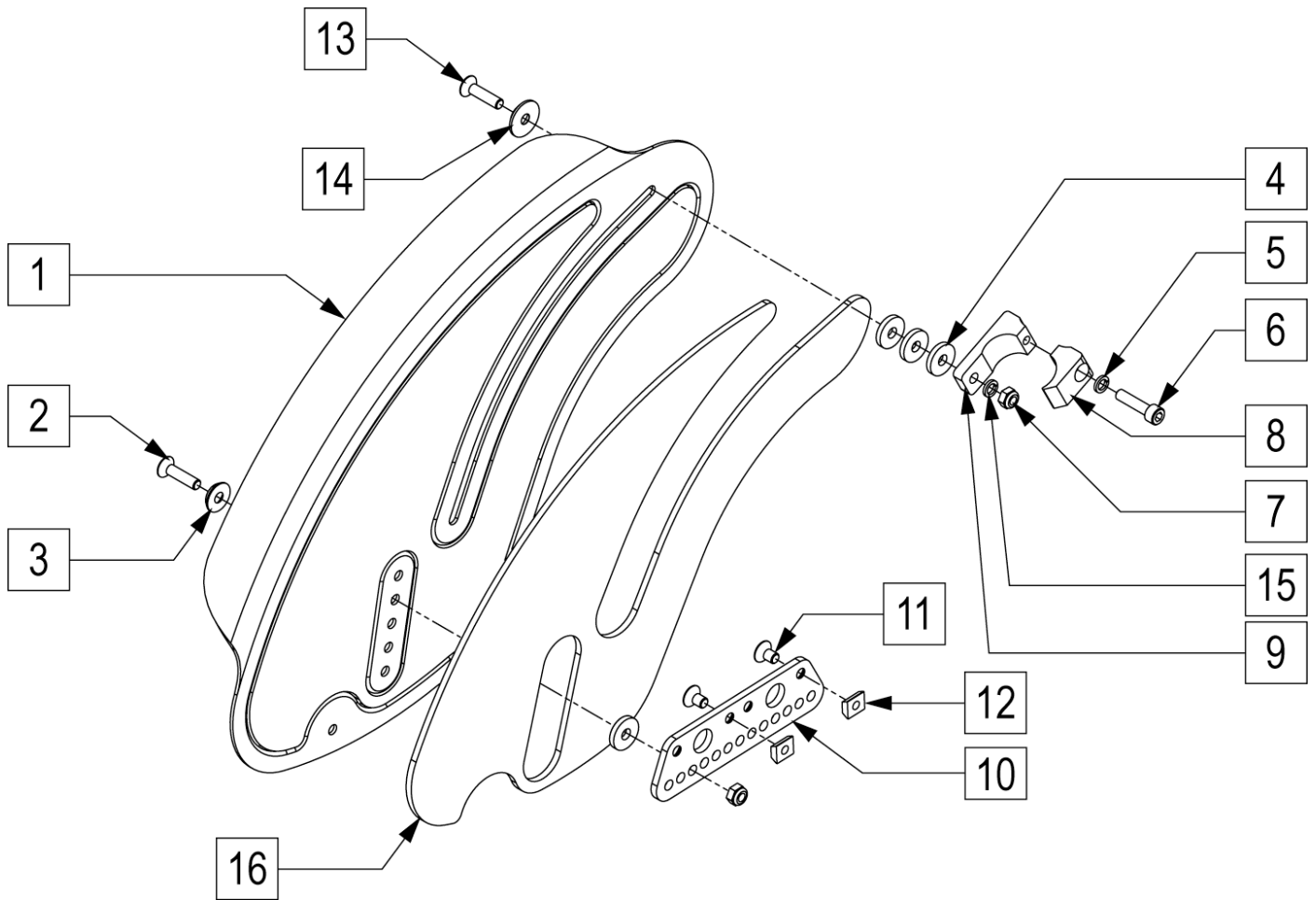
Pos.	Item Number	Description	Remarks
1	052188	CLAMP INNER ARM HT ADJ	RIGHT
1	052189	CLAMP INNER ARM HT ADJ	LEFT
2	052190	CLAMP OUTER ARM HT ADJ	
3	052191	CHANNEL RECEIVER ARM HT ADJ	
4	052192	PLATE NUT ARM HT ADJ	
5	561134	HT ADJ RECEIVER LINER	
6	250104	WASHER FLAT M6	
7	230038	M6 X 16 HEX C/S	
8	234892	M6 X 40 HEX C/S	
9	230118	BHCS M6 X 1 X 45 BLK	
1-8	052197	RECEIVER ARMREST HT ADJ	RIGHT
1-8	052198	RECEIVER ARMREST HT ADJ	LEFT



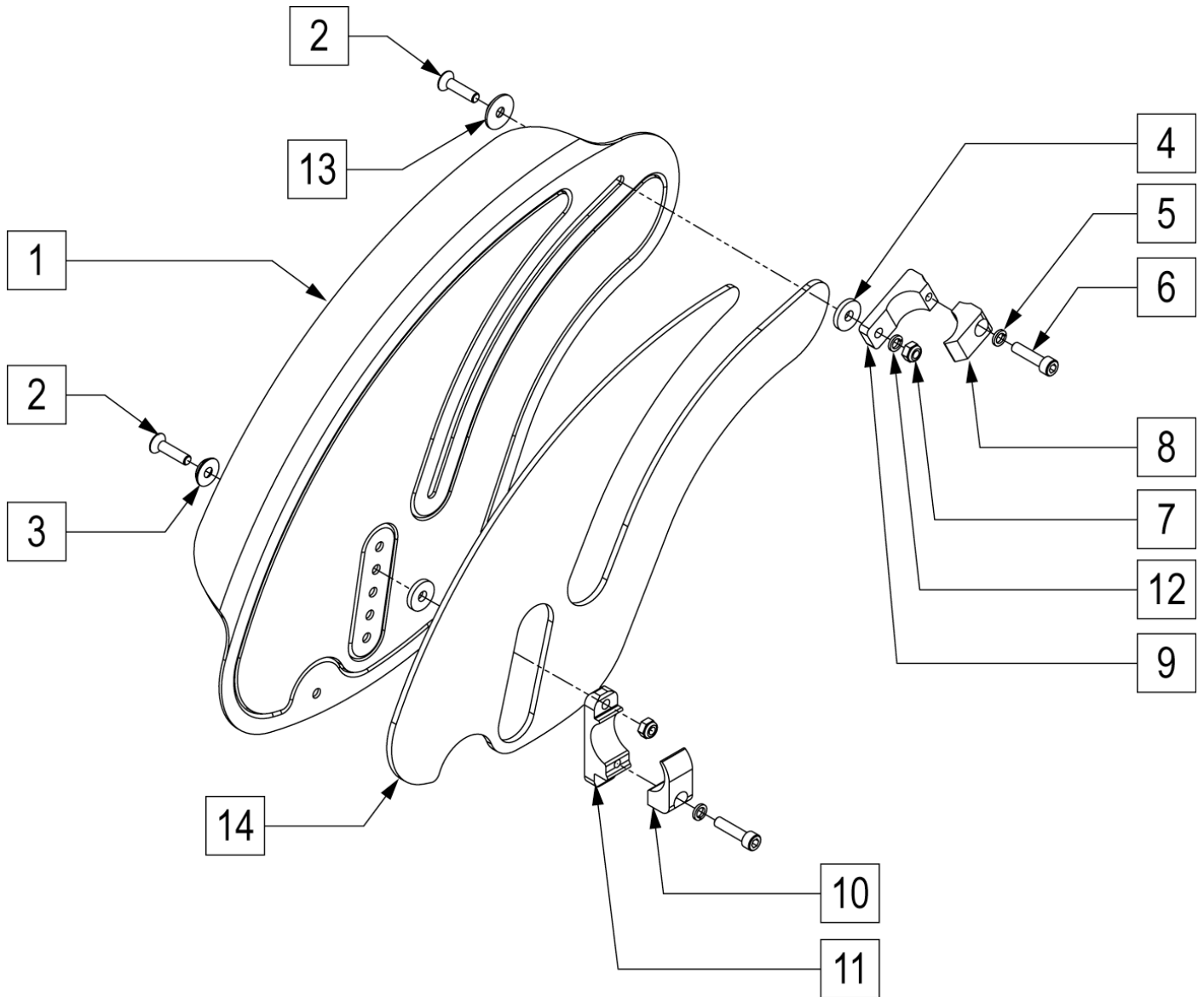
Pos.	Item Number	Description	Remarks
1	425060	24" XTENDER HANDRIM SS W/HDWR	
1	425061	24" XTENDER HANDRIM PLST W/HDWR	
2	385300	24" PNEUMATIC TIRE	
2	382325	24" TUBE	
2	382410	24" AIRLESS INSERT	
4	134121	PWR CORD BATT CHARGER YAMAHA	
7	133109	PLATE+ STOPPER 1 YAMAHA	
7	133110	PLATE+ STOPPER 2 R YAMAHA	
8	133108	SPOKE SET 24" YAMAHA	
9	133102	SWITCH ASSY MAIN YAMAHA	
10	490013	MOTOR COVER YAMAHA	
11	499372	MOTOR ASSY YAMAHA	
12	133103	COUPLER CONTROL YAMAHA	
13	560029	DRIVE BELT YAMAHA	
14	133106	ROTARY TRANS ASSM 2 YAMAHA	
15	133105	SENSOR ASSM YAMAHA	
16	133104	RECEPTACLE COMP YAMAHA	
17	133107	PLATE ASSM YAMAHA	
3,4	136026	BATTERY CHARGER YAMAHA	
5,6	136526	BATTERY YAMAHA	
1-17	925100	24" TYPE A-1.5X KIT W/INT TRE	
1-17	925101	24"TYPE B-3X KT W/INT TR BK HR	
1-17	925102	24" TYPE A-1.5X KIT W/PNEU	
1-17	925103	24" TYPE B-3X KIT W/PN BLK HR	



Pos.	Item Number	Description	Remarks
1	050137	NUT THIN M20	
2	100801	FHCS M6 X 1 X 30 BLK	
3	052130	AXLE SLEEVE XTENDER	
4	052150	SPACER PIN XTENDER	
5	050130	LOCKWASHER M20	
6	200113	NUT HEX NYLOCK M6 X 1	
7	250104	WASHER FLAT M6	
8	052131	AXLE EXTENSION XTENDER	
9	013157	SHCS M6 X 1 X 25 BLK W/PL	
10	052179	RECEIVER ANTI TIP XTENDER	

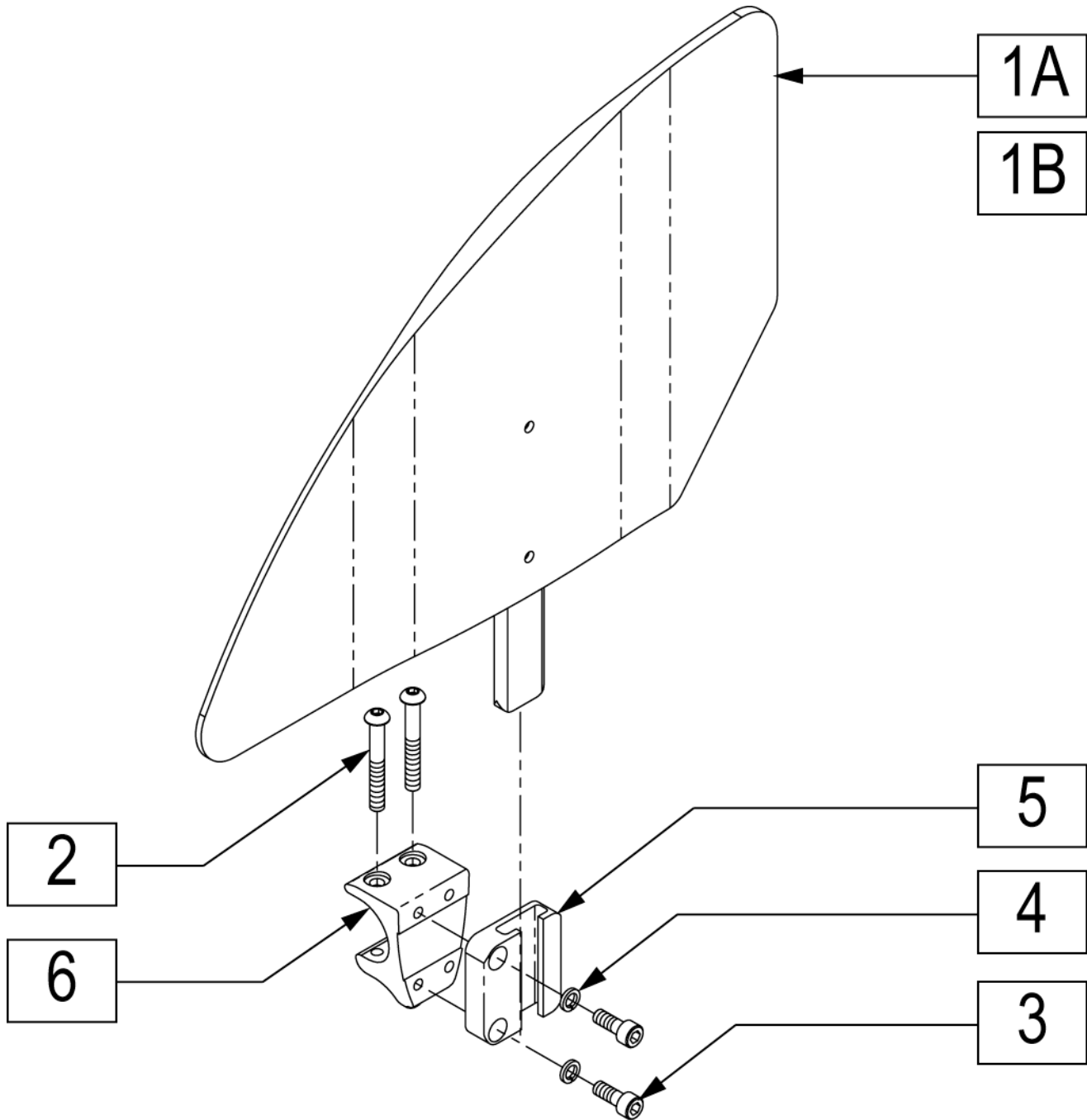


Pos.	Item Number	Description	Remarks
4	561026	3/4" WASHER 1/4" HOLE	
5	050129-001	LOCKWASHER HIGH COLLAR M6	
6	013157	SHCS M6 X 1 X 25 BLK W/PL	
7	200113	NUT HEX NYLOCK M6 X 1	
8	052176	CLAMP BACK SIDEGUARD	
9	052177	CLAMP BACK TAB SIDEGUARD	
15	250104	WASHER FLAT M6	
1	051302	SIDEGUARD ALU	LEFT
1	051303	SIDEGUARD ALU	RIGHT
1	051304	SIDEGUARD ALU W/FENDER	LEFT
1	051305	SIDEGUARD ALU W/FENDER	RIGHT
1	051308	SIDEGARD CARBON WITH FNDR	LEFT
1	051309	SIDEGARD CARBON WITH FNDR	RIGHT
2	230510	M6-25 FH C/S BLK	
3	000 138 017	ROSETTE FOR M6 STEEL	
10	052178	PLATE SLIDE MOUNT SIDEGUARD	
11	100800	FHCS M6 X 1 X 10 BLK	
12	010065	M6 CHANNEL NUT	
13	100801	FHCS M6 X 1 X 30 BLK	
14	000 138 014	ROSETTE FOR M6 PLASTIC	
16	051446-001	SIDEGUARD PROTECTION	RIGHT
16	051446-002	SIDEGUARD PROTECTION	LEFT

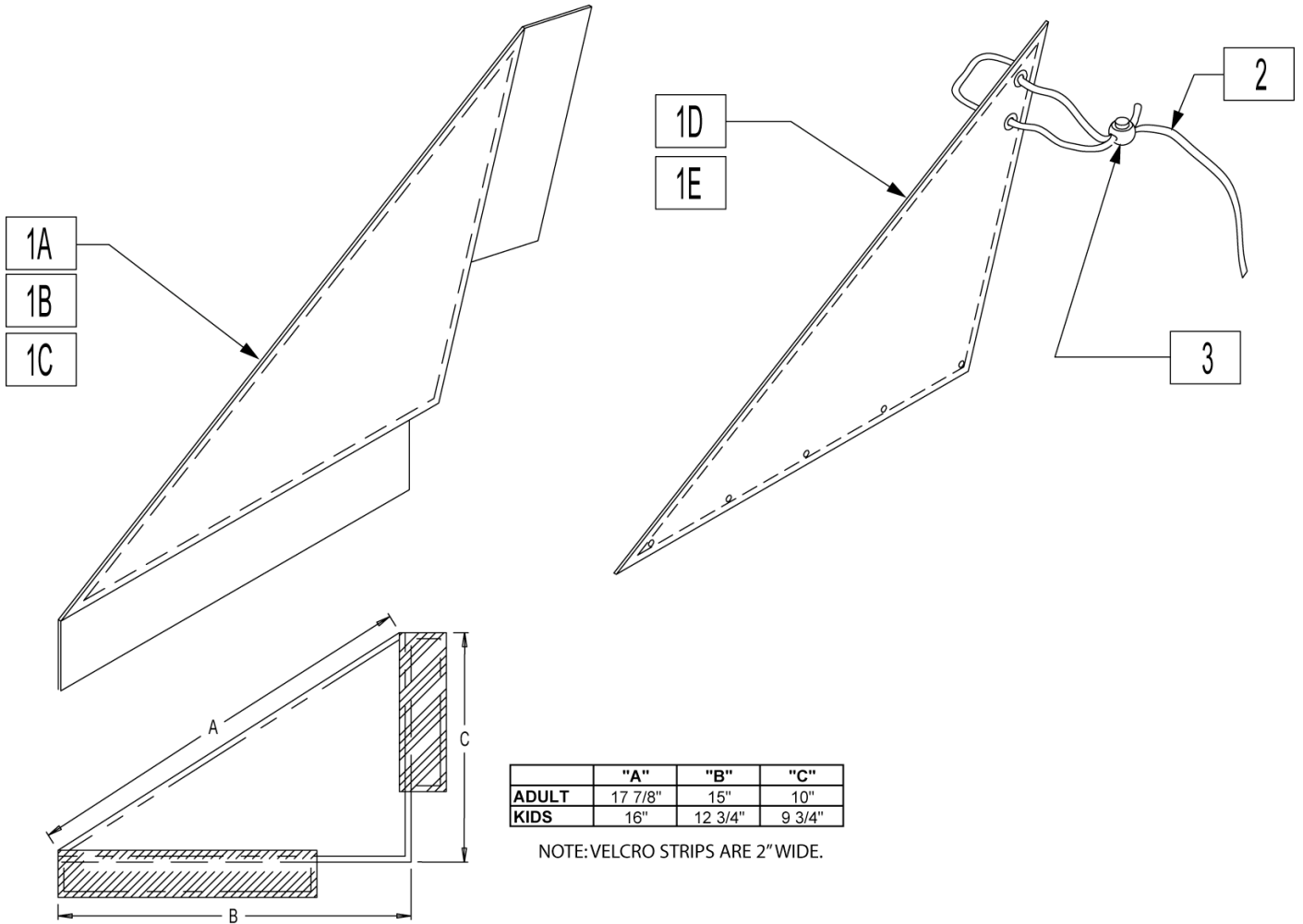


Pos.	Item Number	Description	Remarks	Pos.	Item Number	Description	Remarks
1	051302	SIDEGUARD ALU LEFT		6	013157	SHCS M6 X 1 X 25 BLK W/PL	
1	051303	SIDEGUARD ALU RIGHT		7	200113	NUT HEX NYLOCK M6 X 1	
1	051304	SIDEGUARD ALU W/FENDER LEFT		8	052176	CLAMP BACK SIDEGUARD	
1	051305	SIDEGUARD ALU W/FENDER RIGHT		9	052177	CLAMP BACK TAB SIDEGUARD	
1	051308	SIDEGARD CARBON WITH FNDR LEFT		10	052174	CLAMP SEAT SIDEGUARD	
1	051309	SIDEGARD CARBON WITH FNDR RT		11	052175	CLAMP SEAT TAB SIDEGUARD	
2	230510	M6-25 FH C/S BLK		12	250104	WASHER FLAT M6	
3	000 138 017	ROSETTE FOR M6 STEEL		13	000 138 014	ROSETTE FOR M6 PLASTIC	
4	561026	3/4" WASHER 1/4" HOLE		14	051446-001	SIDEGUARD PROTECTION RIGHT	
5	050129-001	LOCKWASHER HIGH COLLAR M6		14	051446-002	SIDEGUARD PROTECTION LEFT	

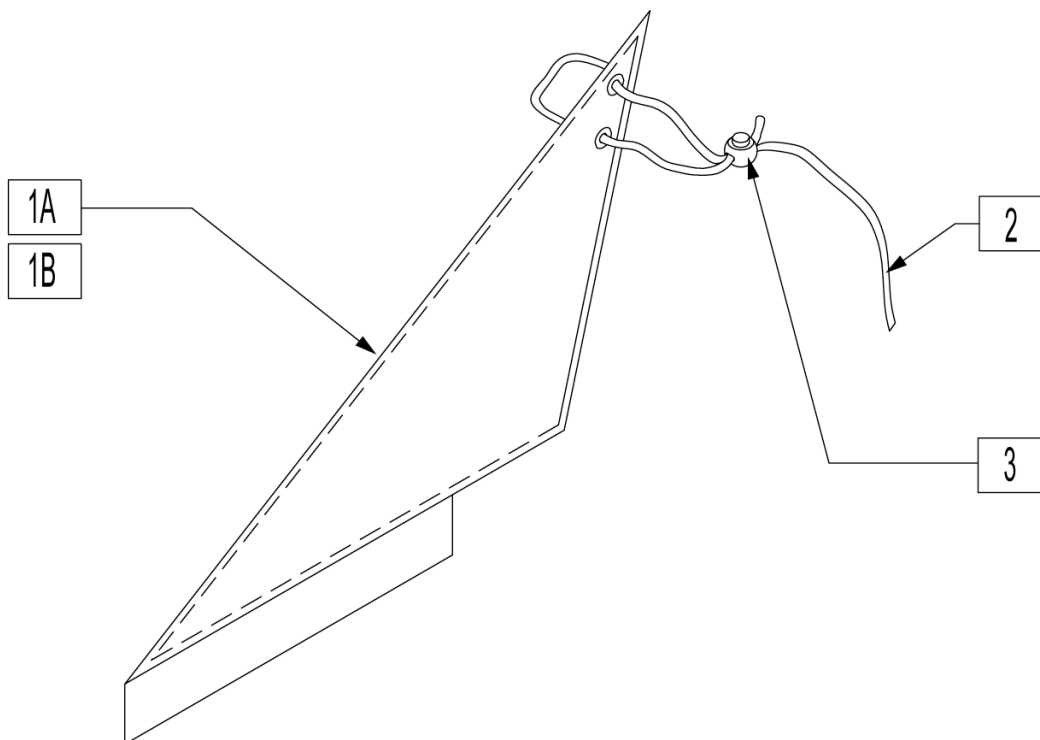




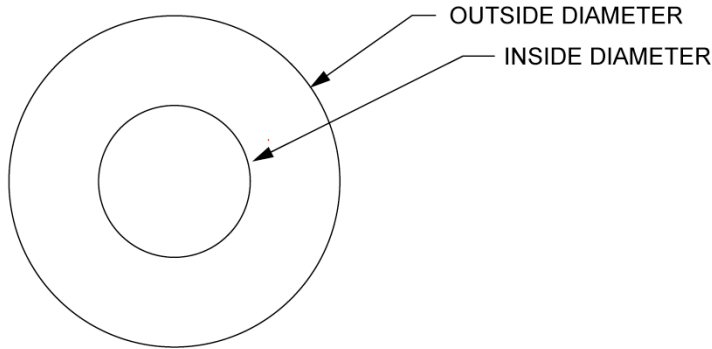
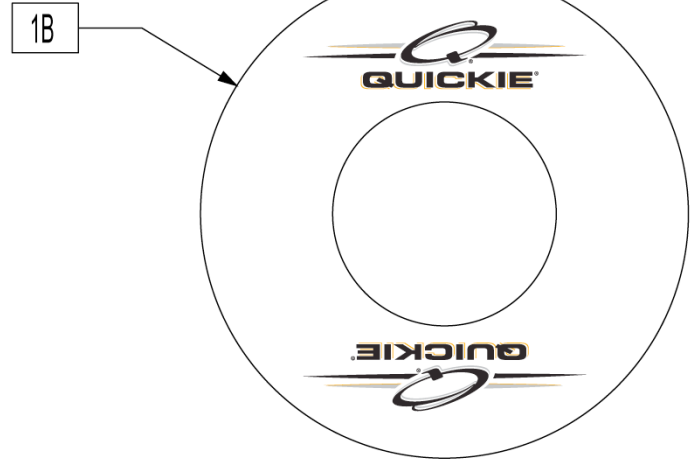
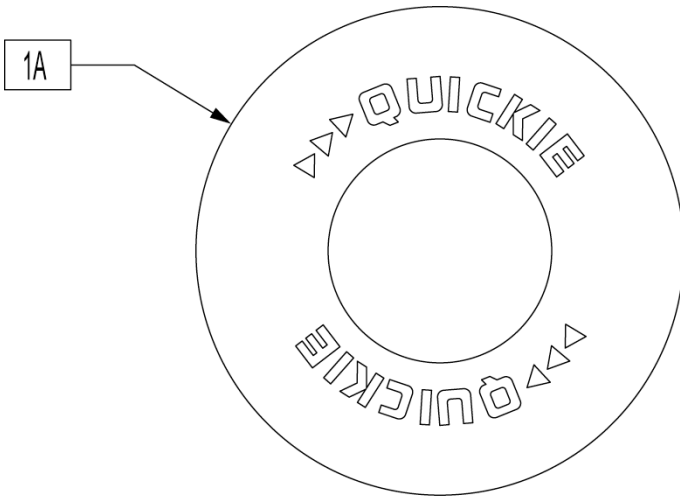
Pos.	Item Number	Description	Remarks
1A	881150	PLST SIDE GUARD KDS	RIGHT
1A	881151	PLST SIDE GUARD KDS	LEFT
1B	881152	PLST SIDE GUARD STD	RIGHT
1B	881153	PLST SIDE GUARD STD	LEFT
2	230118	BHCS M6 X 1 X 45 BLK	
3	230010	SHCS M6 X 1 X 16 BLK	
4	050129-001	LOCKWASHER HIGH COLLAR M6	
5	052183	RECEIVER SIDEGUARD	
6	052184	MOUNT RECEIVER SIDEGUARD	
2-6	101971	ASSY RECEIVER SIDEGUARD	



Pos.	Item Number	Description	Remarks
1A	750400	SIDE GUARD REG Q1 R	
1A	750401	SIDE GUARD REG Q1 L	
1B	750402	SIDE GUARD KIDS Q1 R	
1B	750403	SIDE GUARD KIDS Q1 L	
1C	901100	SIDE GUARDS KIDS NF	PAIR
1C	901102	SIDE GUARDS REG NF	PAIR
1D	750434	SIDE GUARD REG W/VELCRO R	
1D	750435	SIDE GUARD REG W/VELCRO L	
1E	750240	SIDE GUARD FABRIC SHORT Q2 R	
1E	750241	SIDE GUARD FABRIC SHORT Q2 L	
2	750050	SIDE GUARD LACE Q2	
3	560220	B-LOCK	
1D-3	901109	SIDE GUARDS REG EX/RV	PAIR
1E,2,3	901121	SIDE GUARDS KIDS FABRIC Q2 NEW	PAIR



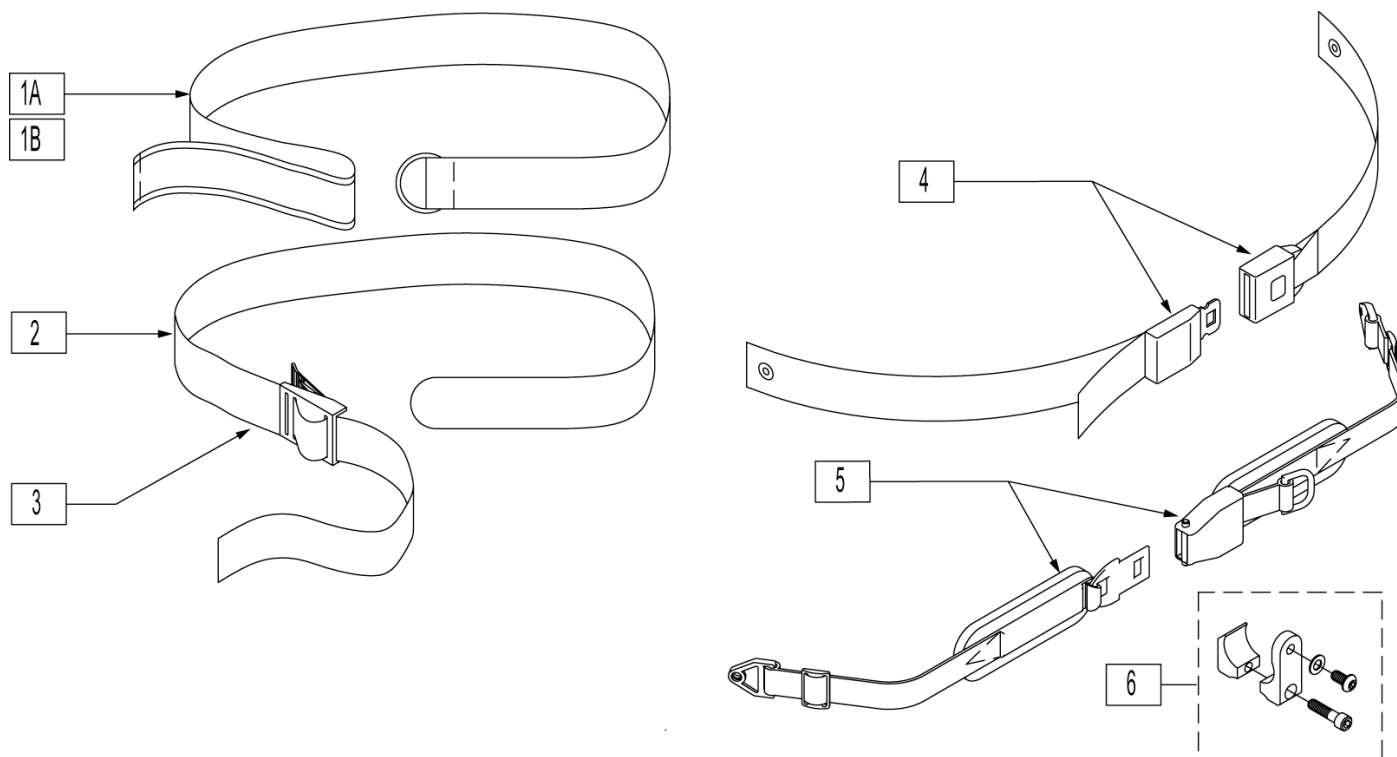
Pos.	Item Number	Description	Remarks
1A	750434	SIDE GUARD REG W/VELCRO R	
1A	750435	SIDE GUARD REG W/VELCRO L	
1B	750240	SIDE GUARD FABRIC SHORT Q2 R	
1B	750241	SIDE GUARD FABRIC SHORT Q2 L	
2	750050	SIDE GUARD LACE Q2	
3	560220	B-LOCK	
1A,2,3	901109	SIDE GUARDS REG EX/RV	PAIR
1B,2,3	901121	SIDE GUARDS KIDS FABRIC Q2 NEW	PAIR



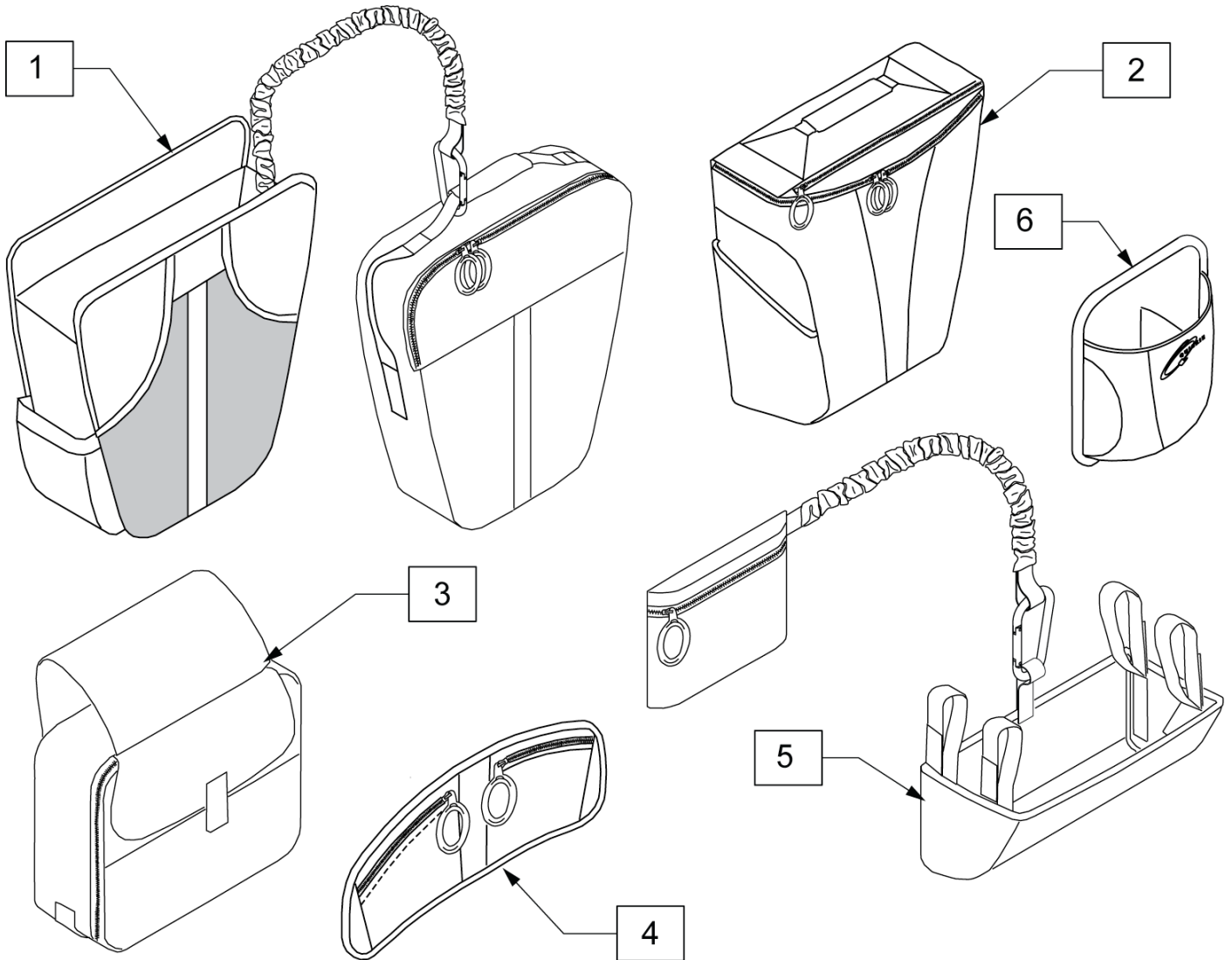
SPOKE GUARD MEASURING GUIDE

PART NUMBER	INSIDE DIAMETER	OUTSIDE DIAMETER
902001	8 1/4	15 7/8
902011	8 1/4	18 1/8
902021	10 1/4	19 5/8
902025	10 1/4	20 3/8
902037	10 1/4	21 7/8
902038	10 1/4	23 3/8
103660-001	8 1/4	16
103660-002	8 1/4	18
103663-001	10 1/4	20 1/2
103663-002	10 1/4	23 1/2
103734-001	10 1/4	19 1/4
103734-002	10 1/4	22

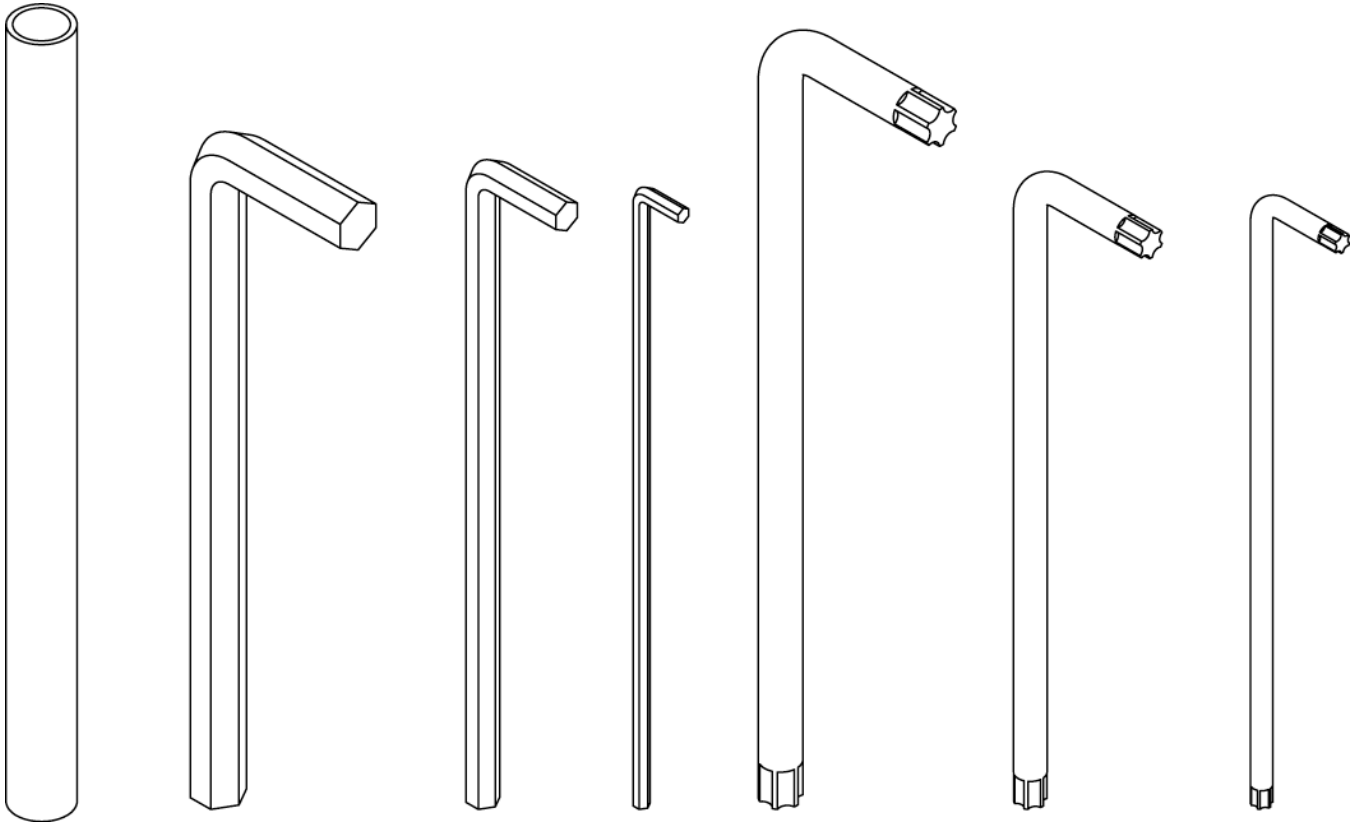
Pos.	Item Number	Description	Remarks
1A	902001	SPK GRDS 20" QUICKIE BLK	
1A	902011	SPK GRDS 22" QUICKIE BLK	
1A	902021	SPK GRD 24" QUICKIE SCR MT BLK	
1A	902025	SPK GRD 24" QUICKIE TAB MT BLK	
1A	902037	SPK GRD 26" QUICKIE TAB MT BLK	
1A	902038	SPK GRD 26" QUICKIE HT BLK	
1B	103660-001	CLEAR SPOKE GUARD 20"	
1B	103660-002	CLEAR SPOKE GUARD 22"	
1B	103663-001	SPOKE GRD 24" QP CLR	
1B	103663-002	SPOKE GRD 26" QP CLR	
1B	103734-001	SPOKE GRD 24" CLR	
1B	103734-002	SPOKE GRD 26" CLR	



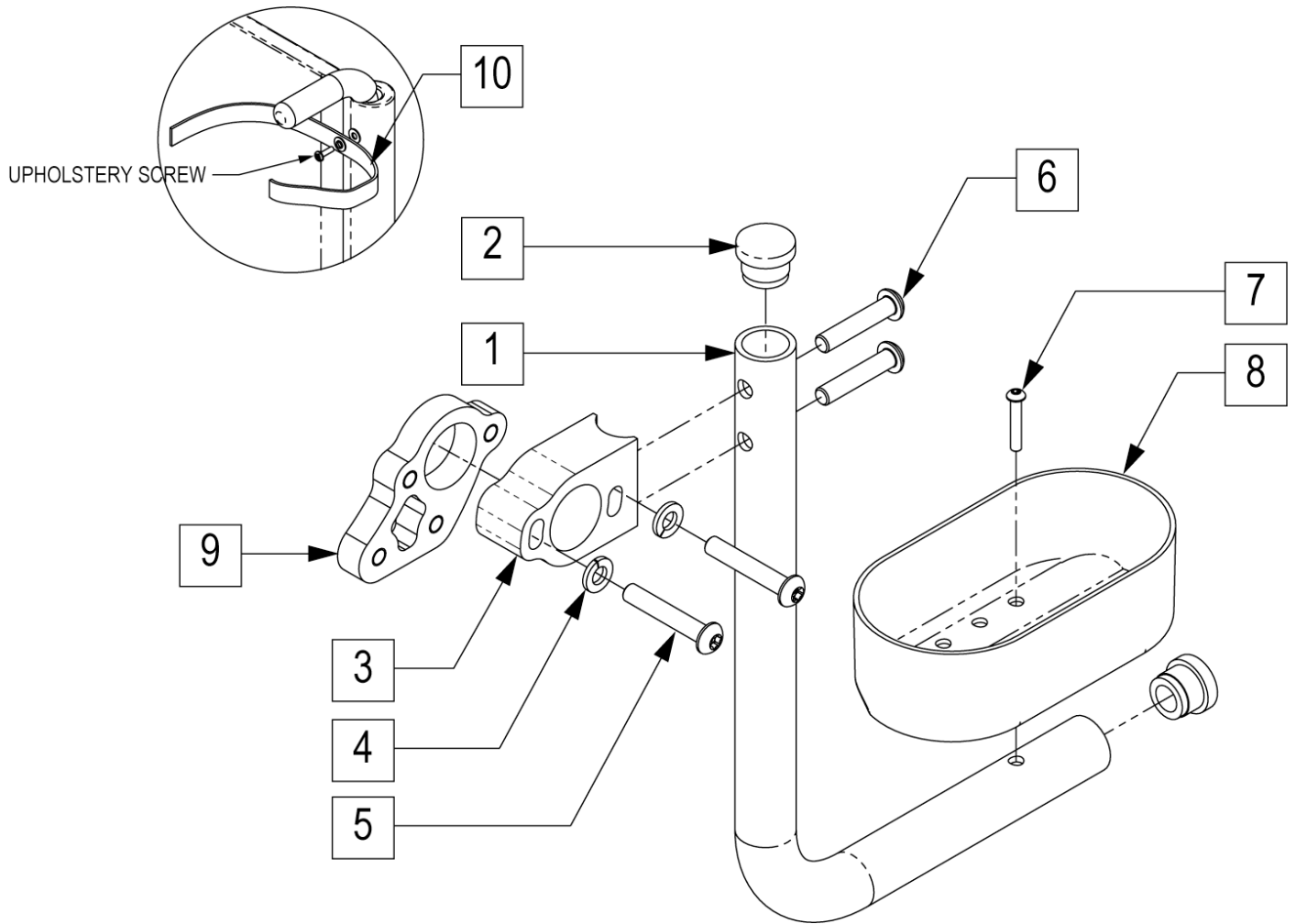
Pos.	Item Number	Description	Remarks
1	750200	POSITIONING BELT LONG VELCRO	
1A	750204	POSITIONING BELT SHORT VELCRO	
3	560200	2" PLASTIC BUCKLE	
4	750276	1 1/2" POSITION BELT	
5	450418-QU	BELT 2" AIRCRAFT BUCKLE	
5	450423-QU	BELT 2" AIRCRAFT BUCKLE W/PAD	
5	450424	BELT 2" AIRCRAFT BKL LONG W/PAD	
5	450425	BELT 2" AIRCRAFT BKL LONG	
5	450419-QU	BELT 2" AIRCRAFT BKL W/QUAD LP	
5	468419	BELT 2" AIRCRT BKL W/QD LP CZ	
6	900116	POSITION BELT ATTACHMENT KIT	
2,3	750210	POSITIONING BELT LONG BUCKLE	
2,3	750214	POSITIONING BELT SHORT BUCKLE	
5,6	920918	POS BELT ATT KIT W/2" AIR BUCKLE	
5,6	920919	POS BLT ATT KT W/2" AIR BUCKLE PAD	



Pos.	Item Number	Description	Remarks
1	013480	ULTRA PACK	
2	013479	QUICKIE EXPRESS PACK	
3	013478	POWER PACK-IT	
4	013477	LAP ORGANIZER	
5	013476	CATCH ALL UNDERSEAT ORGANIZER	
6	013475	QUICKIE SIDE POKKER	

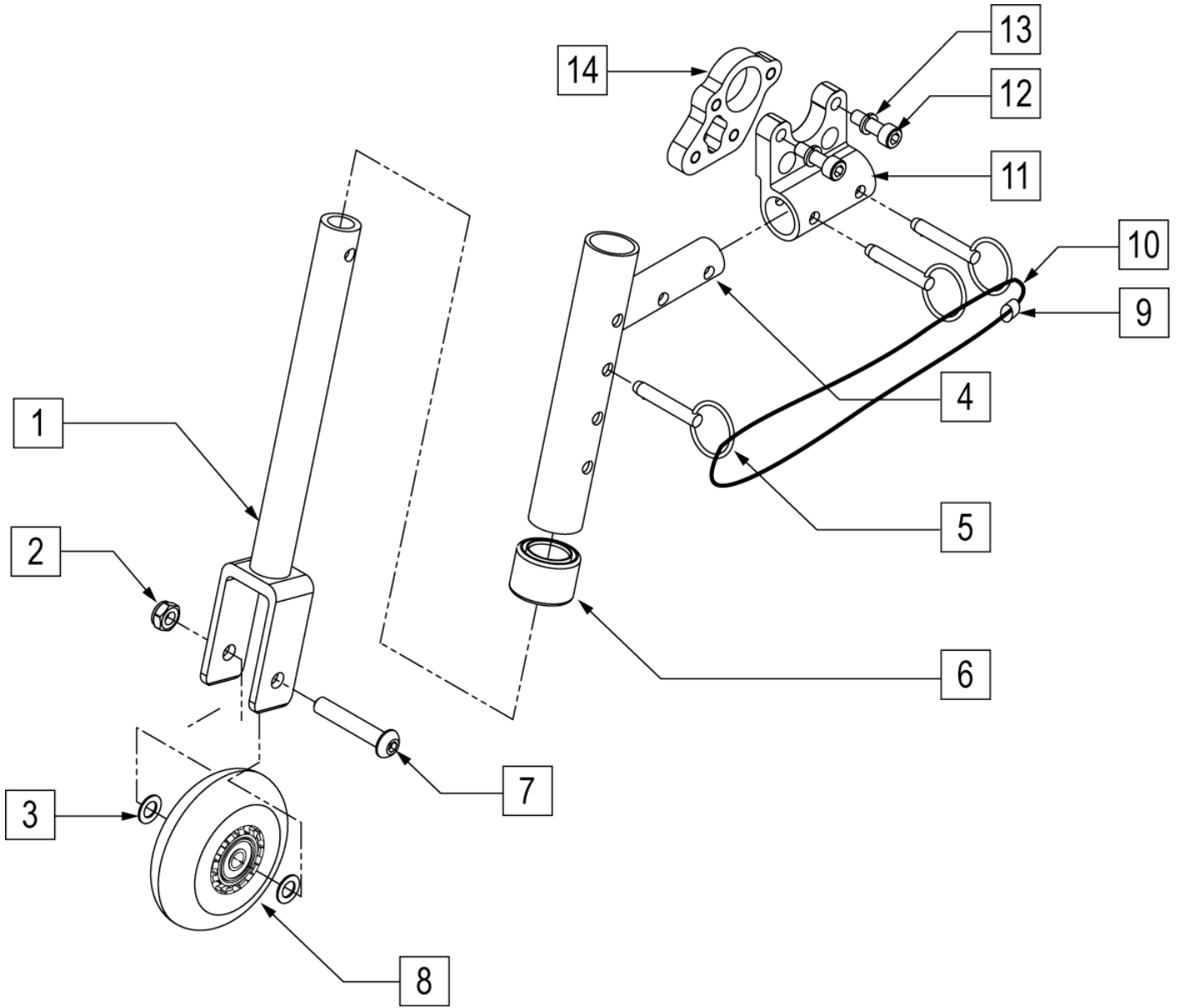


Pos.	Item Number	Description	Remarks
1	050151	TOOL KIT QUICKIE GT	

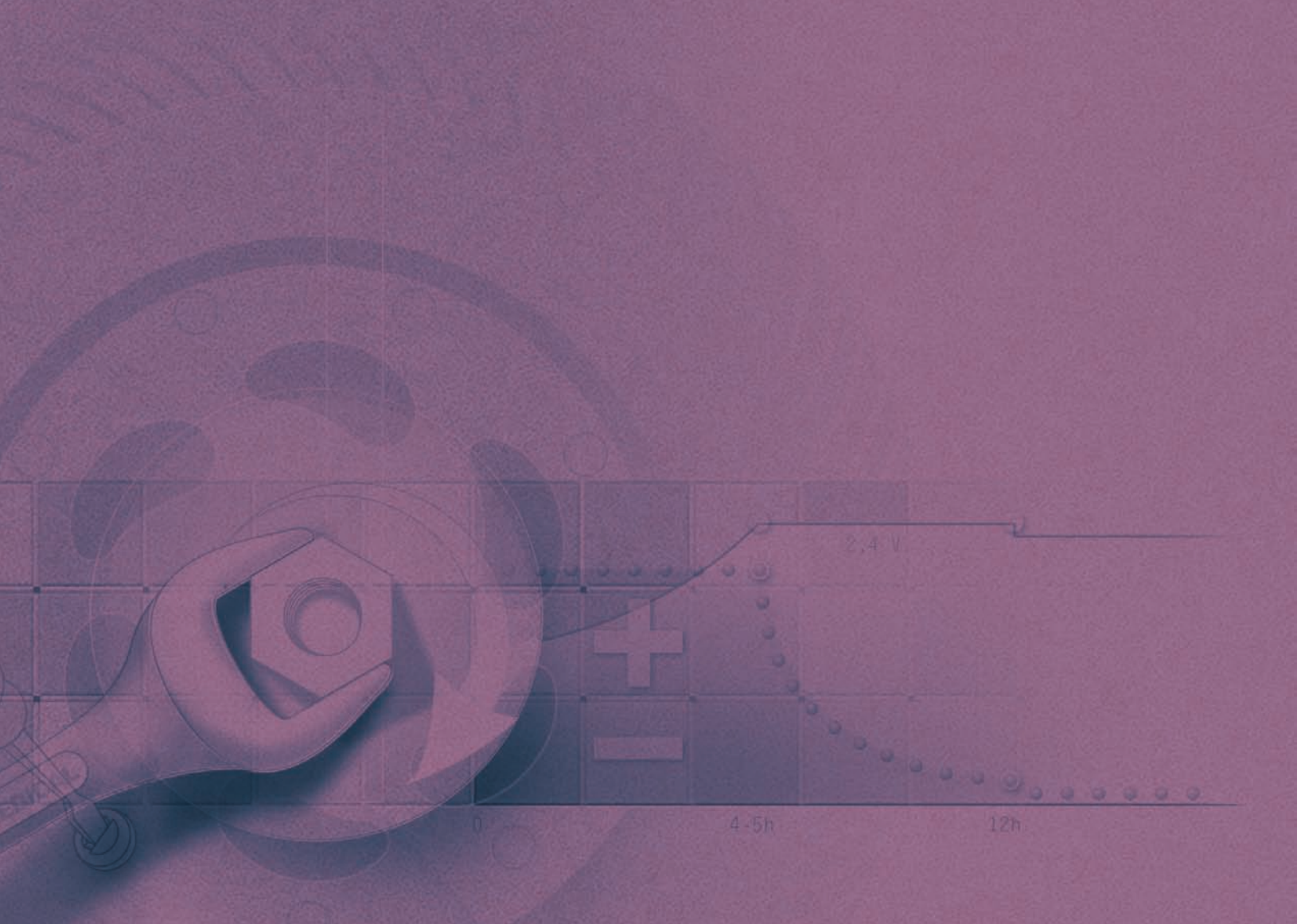


Pos.	Item Number	Description	Remarks
1	050078	TUBE CRUTCH HOLDER	
2	561000-QU	3/4" INSERT PLUG .083	
3	052415	RECEIVER CRUTCH HOLDER	
4	250104	WASHER FLAT M6	
5	230116	BHCS M6 X 1 X 30 BLK W/PL	
5	013270	SHCS M6 X 1 X 40 BLK	
6	230115	BHCS M6 X 1 X 25 W/PL	
7	240108	RIVET POP SSD64SSBS	
8	562501	CRUTCH HOLDER CUP	
9	052151	PLATE ADAPTER ANTI TIP	
10	750495	CRUTCH HOLDER STRAP F	
1,2,7,8	050168	ASSM TUBE CRUTCH HOLDER	
1-10	102154	CRUTCH HOLDER ASSEMBLY GTX	





Pos.	Item Number	Description	Remarks
1	542160	FORK EXT WLDMT TRVL WHEEL Q2	
2	202102	5/16-18 NYLOCK NUT THIN	
3	263100	5/16 AN WASHER FLAT	
4	052071	TRAVEL WHEEL UPPER WELD ASSM	
5	330027	QUICK RELEASE PIN 1/4"	
6	561018	1" TUBE END BUSHING THICK	
7	226190	5/16-18 X 1 3/4 BH C/S SHLDR	
8	920025	3" MICRO CASTER W/BRNG (PR)	
9	XM2138	CABLE STEEL BLK PV COATED	
10	XM2139	TERMINAL ALUM OVAL SLEEVE	
11	052116	RECEIVER ANTI-TIP	
12	230011	SHCS M6 X 1 X 20 BLK	
13	050129-001	LOCKWASHER HIGH COLLAR M6	
14	052151	PLATE ADAPTER ANTI TIP	
1-3,7,8	100849	ASSY FORK EXT TRAVEL WHEEL	
1-14	102156	TRAVEL WHL ASSM W/RECEIVERS	



**QUICKIE  
GTX**