

# PARTS MANUAL

SEPTEMBER 2011



Sunrise Medical appreciates your business. For your ordering convenience, our Customer Service Representatives can be contacted at:

**To place orders:  
(800)333-4000**

**Quickie Technical Assistance:**

You can reach our Technical Support Team by choosing prompt 1 followed by the # sign, then prompt 2 for Technical Support. Choose option 1 for Quickie Technical Support.

**For Assistance with a Web Order,  
or to sign up for [sunrisemedical.com](http://sunrisemedical.com)  
(800) 333-4000 Option 5**

**FOR YOUR CONVENIENCE YOU MAY PLACE ORDERS THROUGH  
OUR WEBSITE OR BY FAX 24 HOURS A DAY:**

**[www.sunrisemedical.com](http://www.sunrisemedical.com)**

**Fax: (800)300-7502**

For easy reference please fill in your Customer Number and Sunrise Account Manager's name.

Customer Account Number \_\_\_\_\_  
Ship to Account Number \_\_\_\_\_  
Sunrise Account Manager \_\_\_\_\_

\*Part prices and configurations or specifications of products included in this Parts Manual are subject to change without prior notice.



----- QUICKIE GT .....	5
BASE FRAME .....	5
FRAME .....	5
FRAME .....	5
FRAME - DISCONTINUED .....	7
SUSPENSION FRAME .....	9
AXLE PLATES & AXLES .....	11
AXLE PLATE ASSEMBLY .....	12
AXLE PLATE ASSEMBLY (DISCONTINUED) .....	14
SUSPENSION ASSEMBLY .....	15
AMPUTEE AXLE PLATE .....	17
QUICK RELEASE AXLES MATRIX .....	18
CAMBER TUBES .....	19
CAMBER TUBE ASSM .....	20
SUSPENSION FRAME CAMBER TUBE .....	21
CASTERS & FORKS .....	22
CASTERS .....	22
MICRO CASTERS .....	23
3 SPOKE CASTERS .....	24
SOFT ROLL CASTERS .....	25
ALUMINUM CASTERS .....	26
ALUMINUM SOFT ROLL CASTERS .....	27
FORKS .....	27
FORK STEM ASSM .....	28
FROG LEG SUSPENSION FORK .....	30
FROG LEG SINGLE SIDED FORK .....	32
CASTER PIN LOCK ASSEMBLY .....	33
ANTI-TIPS .....	33
ANTI-TIP .....	34
ANTI-TIP SUSPENSION FRAME .....	36
SWING-AWAY ANTI-TIP .....	37
WHEEL LOCKS .....	38
WHEEL LOCK (PUSH TO LOCK) .....	39
WHEEL LOCK (PULL TO LOCK) .....	40
HIGH MOUNT SCISSOR WHEEL LOCK Discontinued .....	41
WHEEL LOCK FOR SUSPENSION FRAME .....	43
COMPACT WHEEL LOCK .....	44
HIGH MOUNT ERGO (SCISSOR) WHEEL LOCK .....	45
UNILATERAL WHEEL LOCK .....	46
GRADE AID ASSEMBLY .....	48
WHEELS & TIRES .....	48
WHEELS .....	48
MAG .....	49
LITE SPOKE .....	50
NEW ULTRA LITE SPOKE .....	51
SPINERGY SPOX (18 SPOKE) .....	52
SPINERGY LX (12 SPOKE) .....	53
MOUNTAIN .....	54
TIRES .....	54
PNEUMATIC & PNEU. AIRLESS TIRE .....	55
FULL POLY TIRE .....	56
HIGH PRESSURE CLINCHER TIRE .....	57
KNOBBY V-TRK BY KENDA .....	58
SCHWALBE MARATHON PLUS TIRE .....	59
KIK MAKO TIRE .....	60
MOUNTAIN TIRE .....	61
SEATING & POSITIONING .....	61
SEAT .....	61
SEAT SLING AND CUSHION .....	62
BACK .....	65
BACK FRAME AFTER S/N R3-012700 & R3A-012762 .....	65
FOLDING BACKREST HARDWARE .....	66
NON-FOLDING BACKREST HARDWARE .....	68
PUSH HANDLE & BACK POST OPTIONS .....	70
BOLT ON PUSH HANDLES .....	72
BACK FRAME BEFORE S/N R3-012700 & R3A-012762 .....	72
FOLDING BACKREST HARDWARE DISCONTINUED .....	73
NON-FOLDING BACKREST HARDWARE DISCONTINUED .....	75
PUSH HANDLE & BACK POST OPTIONS DISCONTINUED .....	77
BOLT ON PUSH HANDLES .....	79



BACK UPHOLSTERY .....	79
STD BACK UPH USED W/ OMIT HANDLES .....	80
STD BACK UPH USED W/ INTEGRAL PUSH HANDLES .....	82
ADJ BACK UPH USED W/ OMIT & INTEGRAL PUSH HANDLES .....	84
ADJ BACK UPH USED W/ FOLDING PUSH HANDLES .....	86
VENTED ADJ BACK UPH .....	88
FOOTRESTS .....	92
TUBULAR FOOTREST .....	93
FOOTREST COVER & WEAR PADS .....	94
TUBULAR FOOTREST WITH COVER .....	95
TUBULAR FOOTREST WITH FLARED COVER .....	96
PLATFORM FOOTREST .....	97
HIGH MOUNT PLATFORM FOOTREST .....	99
ARMRESTS & RECEIVERS .....	100
ARMRESTS .....	100
PADDED SWING AWAY ARMREST .....	100
PADDED SWING-AWAY ARMREST .....	101
PADDED SWING AWAY ARMREST DISCONTINUED .....	102
ANGLE ADJUSTABLE SWING AWAY ARMREST DISCONTINUED .....	104
SINGLE POST ARMREST .....	105
DISCONTINUED SINGLE POST HT ADJ ARMREST .....	105
SINGLE POST HEIGHT ADJUSTABLE ARMREST .....	106
SINGLE POST HEIGHT ADJUSTABLE ARMREST .....	108
RECEIVERS .....	109
PADDED SWING AWAY ARMREST RECIEVER .....	110
SINGLE POST ARMREST RECEIVER .....	111
SINGLE POST ARMREST RECEIVER DISCONTINUED .....	113
ACCESSORIES .....	113
SPOKE GUARDS .....	114
SOFT FEEL LEG STRAP .....	116
ADJUSTABLE LEG STRAP .....	117
XTENDER .....	117
XTENDER POWER DRIVE ASSM .....	118
XTENDER INTERNAL REPLACEMENT PARTS .....	120
XTENDER AXLE PLATE (GT & GTi) .....	121
XTENDER CONVERSION KIT (GT & GTi) .....	123
SIDE GUARDS .....	124
PLASTIC SIDE GUARDS 1 1/8" CLAMP .....	125
PLASTIC SIDE GUARDS 1 1/8" CLAMP DISCONTINUED .....	127
FOLDING SIDE GUARD .....	128
FABRIC SIDE GUARDS .....	129
ALUMINUM & CARBON SIDE GUARD .....	130
ALUMINUM SIDE GUARD DISCONTINUED .....	132
BAGS & POUCHES .....	133
BACKPACKS AND SEAT POUCHES .....	134
CASE LOGIC BAGS .....	135
CELL PHONE PACK .....	136
TOOL KIT .....	137
TRAVEL WHEEL .....	138
CRUTCH HOLDER .....	140
POSITIONING BELTS .....	141
IMPACT GUARD NEOPRENE & GEL VELCRO PADS .....	142
TIRE PUMP .....	143

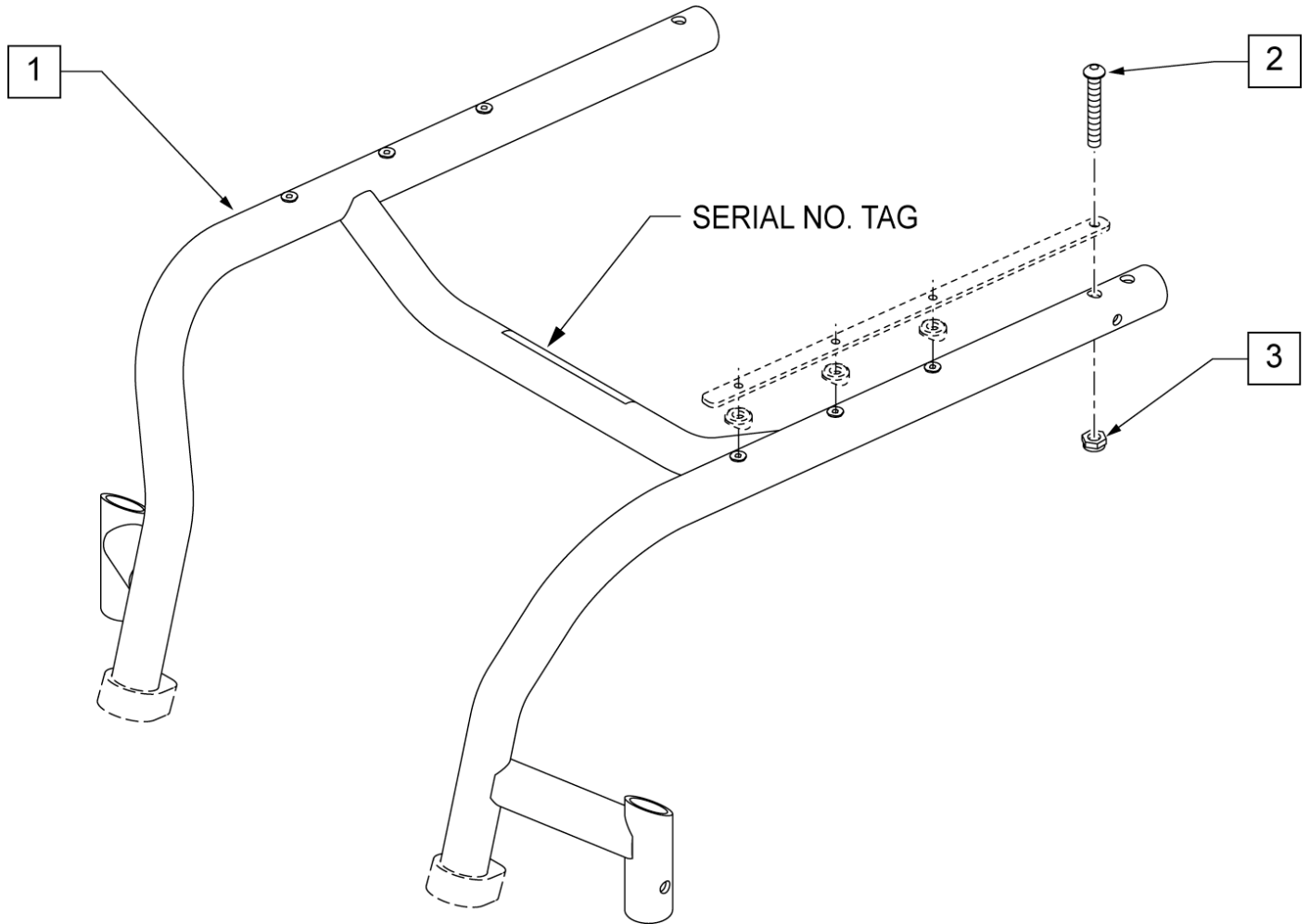


**NOTE:** Effective on GT chairs after S/N R3-012700 & R3A-012762.

**NOTE:** When ordering replacement frames you must provide the frame color, frame style, frame angle, frame inset, FS dim, front squeeze, the serial number and if the chair was equipped with Depth Adjustable Back.

**NOTE:** See Back Frame pages for Depth Adjustable Back or Padded Swing-Away Armrest inserts.

**NOTE:** New style Backrest Brackets and Frame (after S/N R3-012700 & R3A-012762) are not compatible with the old style Backrest Brackets and Frame .



Pos.	Item Number	Description	Pos.	Item Number	Description
1	110985S	FRAME RIGID AL 12W x 12D	1	110998S	FRAME RIGID AL 13W x 17D
1	110986S	FRAME RIGID AL 12W x 13D	1	110999S	FRAME RIGID AL 13W x 18D
1	110987S	FRAME RIGID AL 12W x 14D	1	111000S	FRAME RIGID AL 13W x 19D
1	110988S	FRAME RIGID AL 12W x 15D	1	111001S	FRAME RIGID AL 14W x 12D
1	110989S	FRAME RIGID AL 12W x 16D	1	111002S	FRAME RIGID AL 14W x 13D
1	110990S	FRAME RIGID AL 12W x 17D	1	111003S	FRAME RIGID AL 14W x 14D
1	110991S	FRAME RIGID AL 12W x 18D	1	111004S	FRAME RIGID AL 14W x 15D
1	110992S	FRAME RIGID AL 12W x 19D	1	111005S	FRAME RIGID AL 14W x 16D
1	110993S	FRAME RIGID AL 13W x 12D	1	111006S	FRAME RIGID AL 14W x 17D
1	110994S	FRAME RIGID AL 13W x 13D	1	111007S	FRAME RIGID AL 14W x 18D
1	110995S	FRAME RIGID AL 13W x 14D	1	111008S	FRAME RIGID AL 14W x 19D
1	110996S	FRAME RIGID AL 13W x 15D	1	111009S	FRAME RIGID AL 14W x 20D
1	110997S	FRAME RIGID AL 13W x 16D	1	111010S	FRAME RIGID AL 15W x 12D

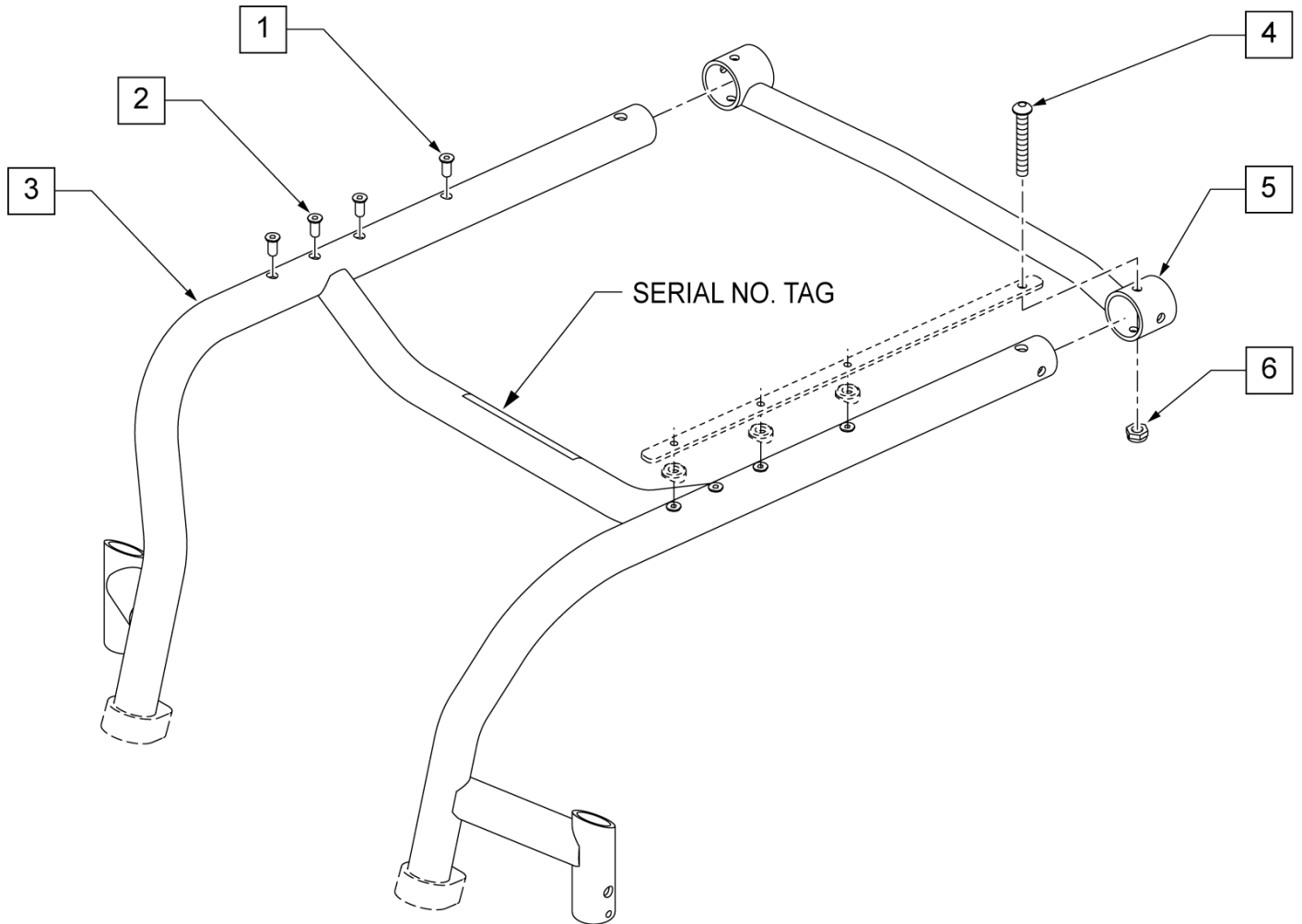


Pos.	Item Number	Description	Pos.	Item Number	Description
1	111011S	FRAME RIGID AL 15W x 13D	1	111039S	FRAME RIGID AL 18W x 14D
1	111012S	FRAME RIGID AL 15W x 14D	1	111040S	FRAME RIGID AL 18W x 15D
1	111013S	FRAME RIGID AL 15W x 15D	1	111041S	FRAME RIGID AL 18W x 16D
1	111014S	FRAME RIGID AL 15W x 16D	1	111042S	FRAME RIGID AL 18W x 17D
1	111015S	FRAME RIGID AL 15W x 17D	1	111044S	FRAME RIGID AL 18W x 18D
1	111016S	FRAME RIGID AL 15W x 18D	1	111045S	FRAME RIGID AL 18W x 19D
1	111017S	FRAME RIGID AL 15W x 19D	1	111047S	FRAME RIGID AL 18W x 20D
1	111018S	FRAME RIGID AL 15W x 20D	1	111048S	FRAME RIGID AL 19W x 12D
1	111019S	FRAME RIGID AL 16W x 12D	1	111049S	FRAME RIGID AL 19W x 13D
1	111020S	FRAME RIGID AL 16W x 13D	1	111050S	FRAME RIGID AL 19W x 14D
1	111021S	FRAME RIGID AL 16W x 14D	1	111051S	FRAME RIGID AL 19W x 15D
1	111022S	FRAME RIGID AL 16W x 15D	1	111052S	FRAME RIGID AL 19W x 16D
1	111023S	FRAME RIGID AL 16W x 16D	1	111053S	FRAME RIGID AL 19W x 17D
1	111024S	FRAME RIGID AL 16W x 17D	1	111054S	FRAME RIGID AL 19W x 18D
1	111025S	FRAME RIGID AL 16W x 18D	1	111055S	FRAME RIGID AL 19W x 19D
1	111026S	FRAME RIGID AL 16W x 19D	1	111056S	FRAME RIGID AL 19W x 20D
1	111027S	FRAME RIGID AL 16W x 20D	1	111057S	FRAME RIGID AL 20W x 12D
1	111028S	FRAME RIGID AL 17W x 12D	1	111058S	FRAME RIGID AL 20W x 13D
1	111029S	FRAME RIGID AL 17W x 13D	1	111059S	FRAME RIGID AL 20W x 14D
1	111030S	FRAME RIGID AL 17W x 14D	1	111060S	FRAME RIGID AL 20W x 15D
1	111031S	FRAME RIGID AL 17W x 15D	1	111061S	FRAME RIGID AL 20W x 16D
1	111032S	FRAME RIGID AL 17W x 16D	1	111062S	FRAME RIGID AL 20W x 17D
1	111033S	FRAME RIGID AL 17W x 17D	1	111063S	FRAME RIGID AL 20W x 18D
1	111034S	FRAME RIGID AL 17W x 18D	1	111064S	FRAME RIGID AL 20W x 19D
1	111035S	FRAME RIGID AL 17W x 19D	1	111065S	FRAME RIGID AL 20W x 20D
1	111036S	FRAME RIGID AL 17W x 20D	2	102262-007	BHCS M6 x 1 x 45 INORG
1	111037S	FRAME RIGID AL 18W x 12D	3	104381	NUT HEX NYLOCK M6 x 1.0 INORG
1	111038S	FRAME RIGID AL 18W x 13D			

**NOTE:** Discontinued on GT chairs as of S/N R3-012700 & R3A-012762.

**NOTE:** IT IS RECOMMENDED TO REPLACE ITEM 5 WHEN REPLACING FRAME.

**NOTE:** New style Backrest Brackets and Frame (after S/N R3-012700 & R3A-012762) are not compatible with the old style Backrest Brackets and Frame .

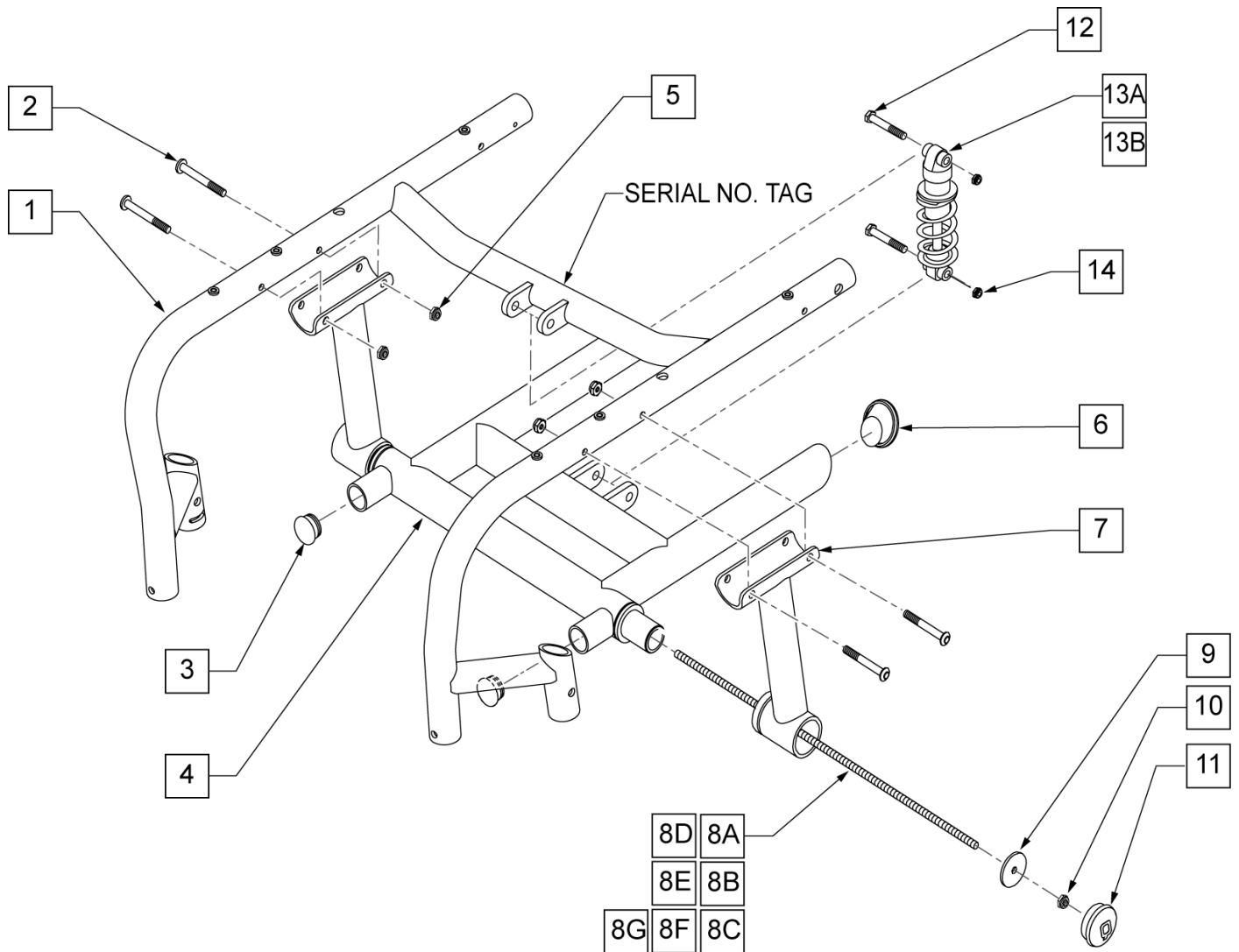


Pos.	Item Number	Description	Pos.	Item Number	Description
1-3	050178-001S	GT FRM 12 X 12 PNTD ALUM	1-3	050179-008S	GT FRM 13 X 19 PNTD ALUM
1-3	050178-002S	GT FRM 12 X 13 PNTD ALUM	1-3	050180-001S	GT FRM 14 X 12 PNTD ALUM
1-3	050178-003S	GT FRM 12 X 14 PNTD ALUM	1-3	050180-002S	GT FRM 14 X 13 PNTD ALUM
1-3	050178-004S	GT FRM 12 X 15 PNTD ALUM	1-3	050180-003S	GT FRM 14 X 14 PNTD ALUM
1-3	050178-005S	GT FRM 12 X 16 PNTD ALUM	1-3	050180-004S	GT FRM 14 X 15 PNTD ALUM
1-3	050178-006S	GT FRM 12 X 17 PNTD ALUM	1-3	050180-005S	GT FRM 14 X 16 PNTD ALUM
1-3	050178-007S	GT FRM 12 X 18 PNTD ALUM	1-3	050180-006S	GT FRM 14 X 17 PNTD ALUM
1-3	050178-008S	GT FRM 12 X 19 PNTD ALUM	1-3	050180-007S	GT FRM 14 X 18 PNTD ALUM
1-3	050179-001S	GT FRM 13 X 12 PNTD ALUM	1-3	050180-008S	GT FRM 14 X 19 PNTD ALUM
1-3	050179-002S	GT FRM 13 X 13 PNTD ALUM	1-3	050180-009S	GT FRM 14 X 20 PNTD ALUM
1-3	050179-003S	GT FRM 13 X 14 PNTD ALUM	1-3	050181-001S	GT FRM 15 X 12 PNTD ALUM
1-3	050179-004S	GT FRM 13 X 15 PNTD ALUM	1-3	050181-002S	GT FRM 15 X 13 PNTD ALUM
1-3	050179-005S	GT FRM 13 X 16 PNTD ALUM	1-3	050181-003S	GT FRM 15 X 14 PNTD ALUM
1-3	050179-006S	GT FRM 13 X 17 PNTD ALUM	1-3	050181-004S	GT FRM 15 X 15 PNTD ALUM
1-3	050179-007S	GT FRM 13 X 18 PNTD ALUM	1-3	050181-005S	GT FRM 15 X 16 PNTD ALUM

Pos.	Item Number	Description	Pos.	Item Number	Description
1-3	050181-006S	GT FRM 15 X 17 PNTD ALUM	1-3	050184-009S	GT FRM 18 X 20 PNTD ALUM
1-3	050181-007S	GT FRM 15 X 18 PNTD ALUM	1-3	050185-001S	GT FRM 19 X 12 PNTD ALUM
1-3	050181-008S	GT FRM 15 X 19 PNTD ALUM	1-3	050185-002S	GT FRM 19 X 13 PNTD ALUM
1-3	050181-009S	GT FRM 15 X 20 PNTD ALUM	1-3	050185-003S	GT FRM 19 X 14 PNTD ALUM
1-3	050182-001S	GT FRM 16 X 12 PNTD ALUM	1-3	050185-004S	GT FRM 19 X 15 PNTD ALUM
1-3	050182-002S	GT FRM 16 X 13 PNTD ALUM	1-3	050185-005S	GT FRM 19 X 16 PNTD ALUM
1-3	050182-003S	GT FRM 16 X 14 PNTD ALUM	1-3	050185-006S	GT FRM 19 X 17 PNTD ALUM
1-3	050182-004S	GT FRM 16 X 15 PNTD ALUM	1-3	050185-007S	GT FRM 19 X 18 PNTD ALUM
1-3	050182-005S	GT FRM 16 X 16 PNTD ALUM	1-3	050185-008S	GT FRM 19 X 19 PNTD ALUM
1-3	050182-006S	GT FRM 16 X 17 PNTD ALUM	1-3	050185-009S	GT FRM 19 X 20 PNTD ALUM
1-3	050182-007S	GT FRM 16 X 18 PNTD ALUM	1-3	050186-001S	GT FRM 20 X 12 PNTD ALUM
1-3	050182-008S	GT FRM 16 X 19 PNTD ALUM	1-3	050186-002S	GT FRM 20 X 13 PNTD ALUM
1-3	050182-009S	GT FRM 16 X 20 PNTD ALUM	1-3	050186-003S	GT FRM 20 X 14 PNTD ALUM
1-3	050183-001S	GT FRM 17 X 12 PNTD ALUM	1-3	050186-004S	GT FRM 20 X 15 PNTD ALUM
1-3	050183-002S	GT FRM 17 X 13 PNTD ALUM	1-3	050186-005S	GT FRM 20 X 16 PNTD ALUM
1-3	050183-003S	GT FRM 17 X 14 PNTD ALUM	1-3	050186-006S	GT FRM 20 X 17 PNTD ALUM
1-3	050183-004S	GT FRM 17 X 15 PNTD ALUM	1-3	050186-007S	GT FRM 20 X 18 PNTD ALUM
1-3	050183-005S	GT FRM 17 X 16 PNTD ALUM	1-3	050186-008S	GT FRM 20 X 19 PNTD ALUM
1-3	050183-006S	GT FRM 17 X 17 PNTD ALUM	1-3	050186-009S	GT FRM 20 X 20 PNTD ALUM
1-3	050183-007S	GT FRM 17 X 18 PNTD ALUM	4	230118	BHCS M6 X 1 X 45MM BLK
1-3	050183-008S	GT FRM 17 X 19 PNTD ALUM	6	200113	NUT HEX NYLOCK M6 X 1
1-3	050183-009S	GT FRM 17 X 20 PNTD ALUM	4-6	050187-001S	REAR STRUT ASSM 12 W
1-3	050184-001S	GT FRM 18 X 12 PNTD ALUM	4-6	050187-002S	REAR STRUT ASSM 13 W
1-3	050184-002S	GT FRM 18 X 13 PNTD ALUM	4-6	050187-003S	REAR STRUT ASSM 14 W
1-3	050184-003S	GT FRM 18 X 14 PNTD ALUM	4-6	050187-004S	REAR STRUT ASSM 15 W
1-3	050184-004S	GT FRM 18 X 15 PNTD ALUM	4-6	050187-005S	REAR STRUT ASSM 16 W
1-3	050184-005S	GT FRM 18 X 16 PNTD ALUM	4-6	050187-006S	REAR STRUT ASSM 17 W
1-3	050184-006S	GT FRM 18 X 17 PNTD ALUM	4-6	050187-007S	REAR STRUT ASSM 18 W
1-3	050184-007S	GT FRM 18 X 18 PNTD ALUM	4-6	050187-008S	REAR STRUT ASSM 19 W
1-3	050184-008S	GT FRM 18 X 19 PNTD ALUM	4-6	050187-009S	REAR STRUT ASSM 20 W



NOTE: Effective on GT chairs after S/N R3-012700 & R3A-012762.



Pos.	Item Number	Description	Remarks
1	111066S	FRAME RIGID SUSP AL 14W X 14D	
1	111067S	FRAME RIGID SUSP AL 14W X 15D	
1	111068S	FRAME RIGID SUSP AL 14W X 16D	
1	111069S	FRAME RIGID SUSP AL 14W X 17D	
1	111070S	FRAME RIGID SUSP AL 14W X 18D	
1	111071S	FRAME RIGID SUSP AL 14W X 19D	
1	111072S	FRAME RIGID SUSP AL 14W X 20D	
1	111073S	FRAME RIGID SUSP AL 15W X 14D	
1	111074S	FRAME RIGID SUSP AL 15W X 15D	
1	111075S	FRAME RIGID SUSP AL 15W X 16D	
1	111076S	FRAME RIGID SUSP AL 15W X 17D	
1	111077S	FRAME RIGID SUSP AL 15W X 18D	
1	111078S	FRAME RIGID SUSP AL 15W X 19D	
1	111079S	FRAME RIGID SUSP AL 15W X 20D	

Pos.	Item Number	Description	Remarks
1	111080S	FRAME RIGID SUSP AL 16W X 14D	
1	111081S	FRAME RIGID SUSP AL 16W X 15D	
1	111082S	FRAME RIGID SUSP AL 16W X 16D	
1	111083S	FRAME RIGID SUSP AL 16W X 17D	
1	111084S	FRAME RIGID SUSP AL 16W X 18D	
1	111085S	FRAME RIGID SUSP AL 16W X 19D	
1	111086S	FRAME RIGID SUSP AL 16W X 20D	
1	111087S	FRAME RIGID SUSP AL 17W X 14D	
1	111088S	FRAME RIGID SUSP AL 17W X 15D	
1	111089S	FRAME RIGID SUSP AL 17W X 16D	
1	111090S	FRAME RIGID SUSP AL 17W X 17D	
1	111091S	FRAME RIGID SUSP AL 17W X 18D	
1	111092S	FRAME RIGID SUSP AL 17W X 19D	
1	111093S	FRAME RIGID SUSP AL 17W X 20D	
1	111094S	FRAME RIGID SUSP AL 18W X 14D	
1	111095S	FRAME RIGID SUSP AL 18W X 15D	
1	111096S	FRAME RIGID SUSP AL 18W X 16D	
1	111097S	FRAME RIGID SUSP AL 18W X 17D	
1	111098S	FRAME RIGID SUSP AL 18W X 18D	
1	111099S	FRAME RIGID SUSP AL 18W X 19D	
1	111100S	FRAME RIGID SUSP AL 18W X 20D	
1	111101S	FRAME RIGID SUSP AL 19W X 14D	
1	111102S	FRAME RIGID SUSP AL 19W X 15D	
1	111103S	FRAME RIGID SUSP AL 19W X 16D	
1	111104S	FRAME RIGID SUSP AL 19W X 17D	
1	111105S	FRAME RIGID SUSP AL 19W X 18D	
1	111106S	FRAME RIGID SUSP AL 19W X 19D	
1	111107S	FRAME RIGID SUSP AL 19W X 20D	
1	111108S	FRAME RIGID SUSP AL 20W X 14D	
1	111109S	FRAME RIGID SUSP AL 20W X 15D	
1	111110S	FRAME RIGID SUSP AL 20W X 16D	
1	111112S	FRAME RIGID SUSP AL 20W X 17D	
1	111113S	FRAME RIGID SUSP AL 20W X 18D	
1	111114S	FRAME RIGID SUSP AL 20W X 19D	
1	111115S	FRAME RIGID SUSP AL 20W X 20D	
2	102262-007	BHCS M6 x 1 x 45 INORG	
3	561002	1" INSERT PLUG .083	
5	106935	NUT NYLOCK THIN 1/4-28 ROHS	
6	561262	1 3/8" ANGLE TUBE END CAP	
7	881030	Vertical BRACKET W/BUSHING R XTR	RIGHT
7	881031	Vertical BRACKET W/BUSHING L XTR	LEFT
8A	331070	1/4-20 x 14.70 ALL THREAD 14" XTR	14" WIDE
8B	331071	1/4-20 x 14.70 ALL THREAD 15" XTR	15" WIDE
8C	331072	1/4-20 x 14.70 ALL THREAD 16" XTR	16" WIDE
8D	331073	1/4-20 x 14.70 ALL THREAD 17" XTR	17" WIDE
8E	331074	1/4-20 x 14.70 ALL THREAD 18" XTR	18" WIDE
8F	331075	1/4-20 x 14.70 ALL THREAD 19" XTR	19" WIDE
8G	331076	1/4-20 x 14.70 ALL THREAD 20" XTR	20" WIDE
9	481654	SWING ARM WASHER XTR	
10	104381	NUT HEX NYLOCK M6 x 1.0 INORG	
11	561261	SWING ARM CAP XTR	
12	222242	5/16-18 x 2 1/2 HEX C/S	
13A	880888	SHOCK ASSEM LIGHT	0 -160 lbs - labeled as 550
13B	880889	SHOCK ASSEM HEAVY	161 -250 lbs - labeled as 650
14	202103	5/16-18 NYLOCK NUT THICK	
3,4,6	660290	SWING ARM PNTD 14 XTR	14" WIDE
3,4,6	660291	SWING ARM PNTD 15 XTR	15" WIDE

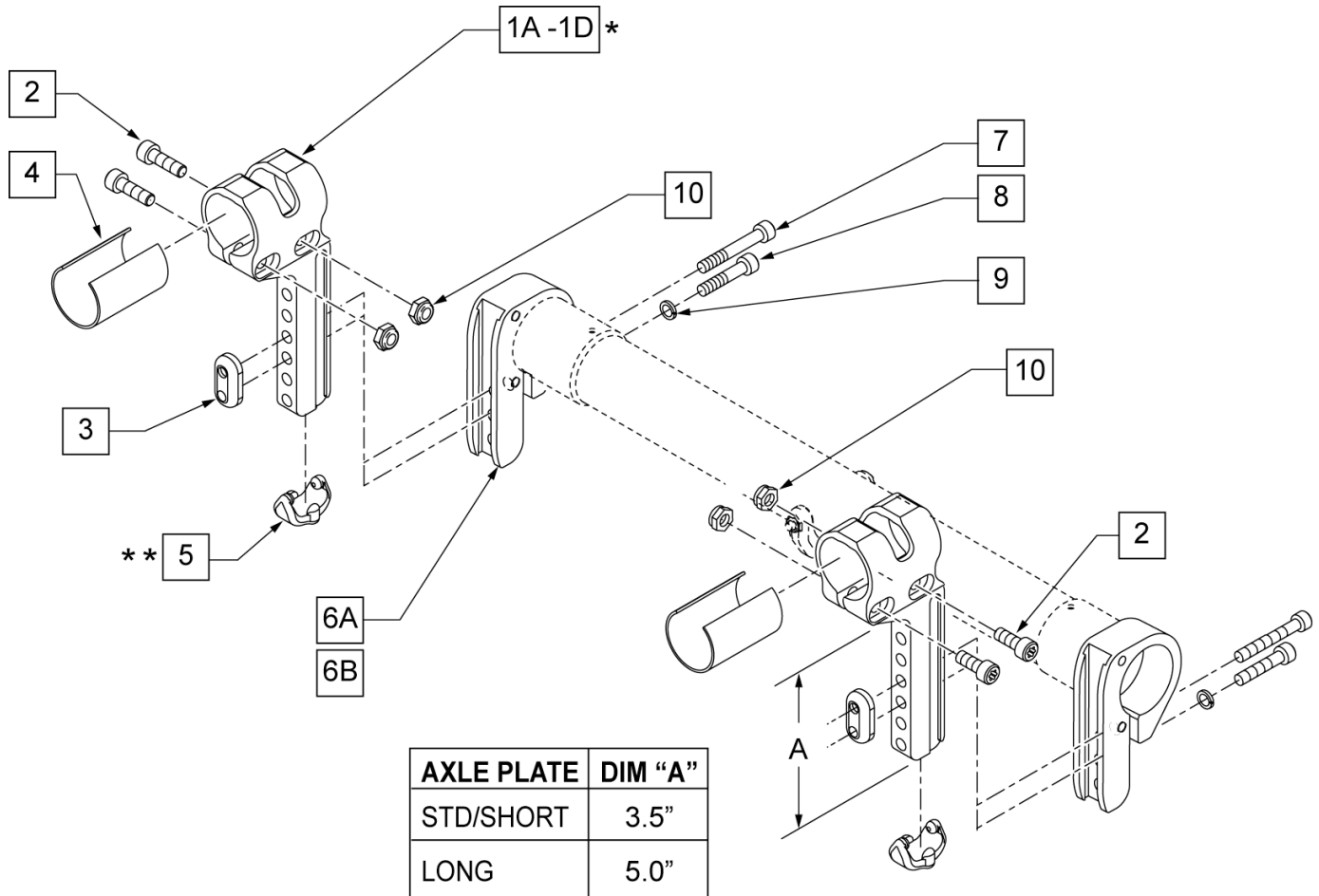
<b>Pos.</b>	<b>Item Number</b>	<b>Description</b>	<b>Remarks</b>
3,4,6	660292	SWING ARM PNTD 16 XTR	16" WIDE
3,4,6	660293	SWING ARM PNTD 17 XTR	17" WIDE
3,4,6	660294	SWING ARM PNTD 18 XTR	18" WIDE
3,4,6	660295	SWING ARM PNTD 19 XTR	19" WIDE
3,4,6	660296	SWING ARM PNTD 20 XTR	20" WIDE



**NOTE:** Used on GT chairs after serial number R3-010580. Axle Plates can be retro-fitted onto chairs prior to Serial No. R3-010580 but both sides must be replaced.

**\*NOTE:** Right Axle Plate (102138-XXX) is used on RIGHT side of chair for 0 & 3 DEG Camber and on LEFT side for 6 & 9 DEG camber. LEFT Axle plate (102139-XXX) is used on LEFT side of chair for 0 & 3 DEG camber and on RIGHT side for 6 & 9 DEG camber.

**\*\*NOTE:** Item 5 is very difficult to remove. If the part has to be replaced, suggested tool is VISE GRIPS. PLEASE USE CAUTION TO AVOID POSSIBLE INJURY.



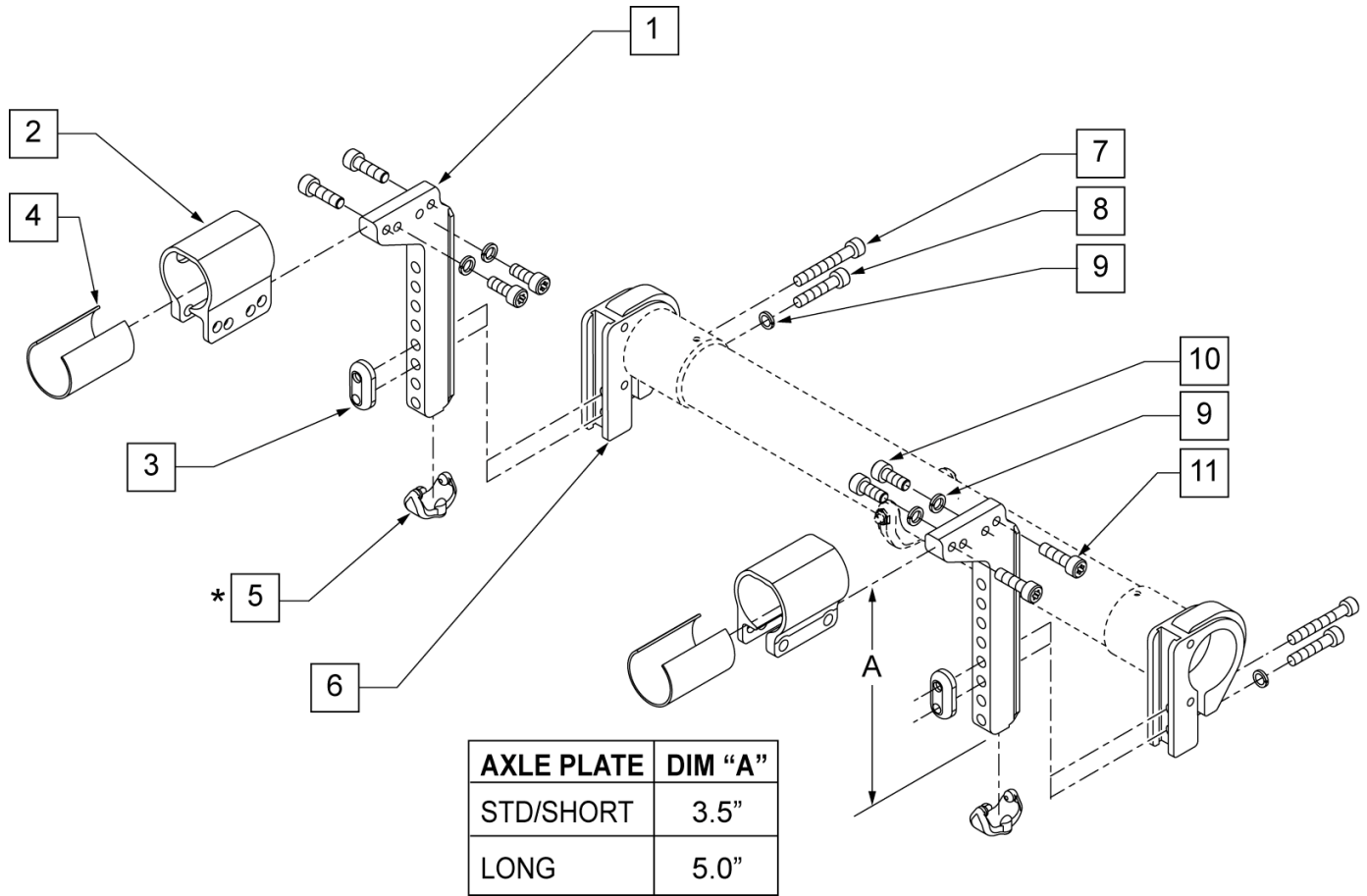
Pos.	Item Number	Description	Remarks
1A	102138-001	AXLE PLATE W/DECAL R GRY LNG	Right Long Gray -GTi
1A	102139-001	AXLE PLATE W/DECAL L GRY LNG	Left Long Gray -GTi
1B	102138-002	AXLE PLATE W/DECAL R GRY SHT	Right Standard Gray -GTi
1B	102139-002	AXLE PLATE W/DECAL L GRY SHT	Left Standard Gray -GTi
1C	102138-003	AXLE PLATE W/DECAL R BLK LNG	Right Long Black -GT
1C	102139-003	AXLE PLATE W/DECAL L BLK LNG	Left Long Black -GT
1D	102138-004	AXLE PLATE W/DECAL R BLK SHT	Right Standard Black -GT
1D	102139-004	AXLE PLATE W/DECAL L BLK SHT	Left Standard Black -GT
2	102263-003	SHCS M6 X 1 X 25 W/PL INORG	
3	050054	PLATE NUT AXLE	
4	050101	SLEEVE AXLE PLATE	
5	050107	BUMPER AXLE PLATE	
6A	058504-001	AXLE CLAMP BLACK	Black -GT
6B	058504-002	AXLE CLAMP GRAY	Gray -GT
7	102263-002	SHCS M6 X 1 X 20 INORGANIC	

Pos.	Item Number	Description	Remarks
8	102263-004	SHCS M6 X 1 X 35 INORGANIC	
9	050129-001	LOCKWASHER HIGH COLLAR M6	
10	200113	NUT HEX NYLOCK M6 X 1	
1A,5,7-10	102140-001	AXLE PLATE W/HDWR R GRY LNG	Right Long Gray -GTi
1A-5,7-10	102141-001	AXLE PLATE W/HDWR L GRY LNG	Left Long Gray -GTi
1B-5,7-10	102140-002	AXLE PLATE W/HDWR R GRY SH	Right Standard Gray -GTI
1B-5,7-10	102141-002	AXLE PLATE W/HDWR L GRY SHT	Left Standard Gray -GTI
1C-5,7-10	102140-003	AXLE PLATE W/HDWR R BLK LNG	Right Long Black -GT
1C-5,7-10	102141-003	AXLE PLATE W/HDWR L BLK LNG	Left Long Black -GT
1D-5,7-10	102140-004	AXLE PLATE W/HDWR R BLK SHT	Right Standard Black -GT
1D-5,7-10	102141-004	AXLE PLATE W/HDWR L BLK SHT	Left Standard Black -GT
1A-10	102142-001	AXLE PLATE W/CLAMPS GRY LNG	Long Gray -GTI
1B-10	102142-002	AXLE PLATE W/CLAMPS GRY SHT	Standard Gray -GTI
1C-10	102142-003	AXLE PLATE W/CLAMPS BLK LNG	Long Black -GT
1D-10	102142-004	AXLE PLATE W/CLAMPS BLK SHT	Standard Black -GT

**AXLE PLATE ASSEMBLY (DISCONTINUED)**

NOTE:USED ON CHAIRS PRIOR TO SERIAL NUMBER R3-010580.

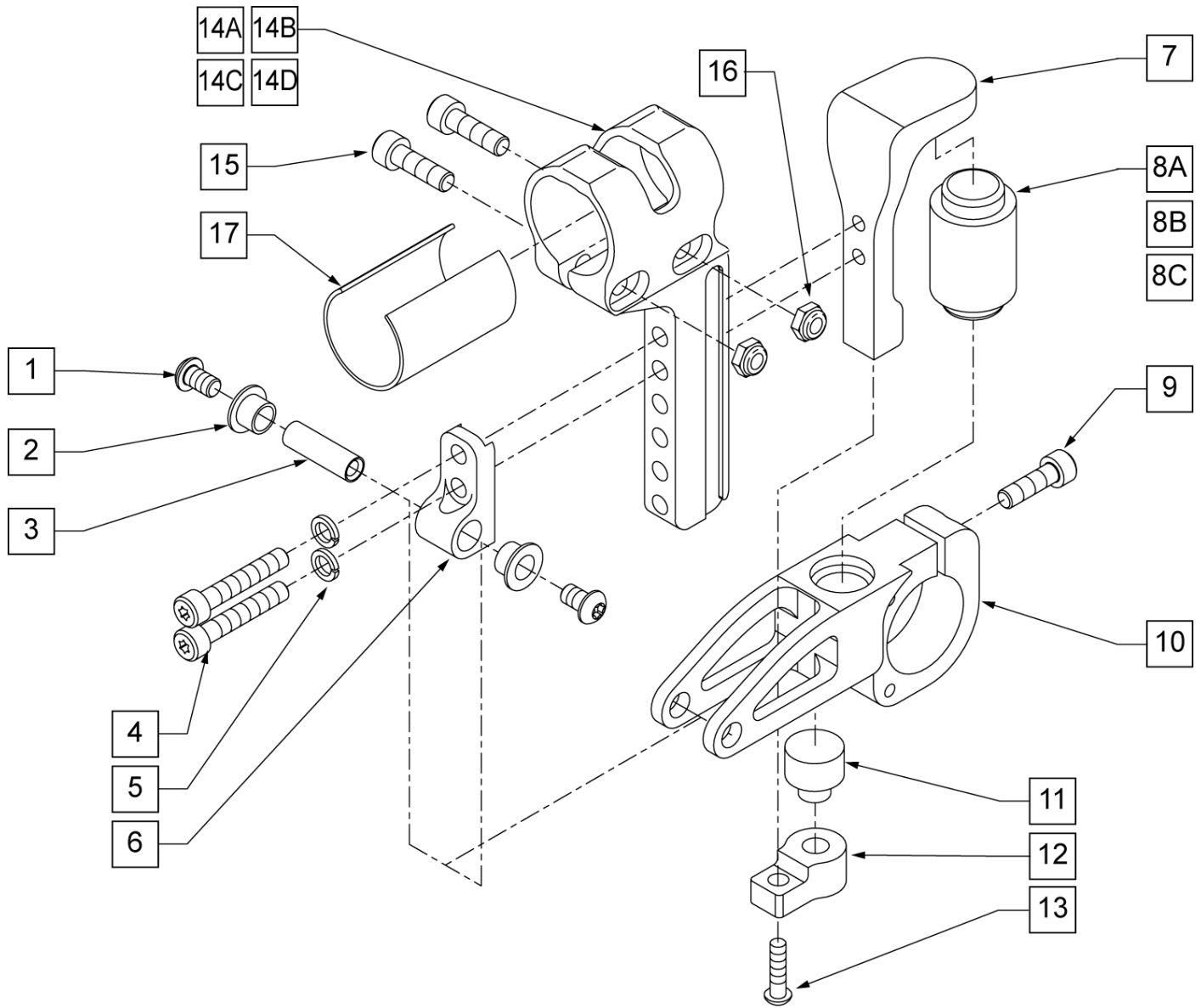
NOTE: ITEM 5 IS VERY DIFFICULT TO REMOVE. IF THE PART HAS TO BE REPLACED SUGGESTED TOOL IS VISE GRIPS. PLEASE USE CAUTION TO AVOID POSSIBLE INJURY.



Pos.	Item Number	Description
1,5	050209	STD AXLE PLATE RIGID W/BUMER
2	050057	CLAMP AXLE PLATE
3	050054	PLATE NUT AXLE
4	050101	SLEEVE AXLE PLATE
5	050107	BUMPER AXLE PLATE
6	050093	CLAMP CAMBER TUBE
7	230007	SHCS M6 X 1 X 45 BLK
8	102263-004	SHCS M6 X 1 X 35 INORGANIC
9	050129-001	LOCKWASHER HIGH COLLAR M6
10	102263-002	SHCS M6X1X20 FULL NP
11	102264	SCHS M8 X1.25 X 20 INORGANIC
1,5,3,7,-9	050194	STD AXLE PLATE RIGID W/HRDR
2,4,9-11	050195	STD AXLE PLT CLMP RIGID W/HDWR

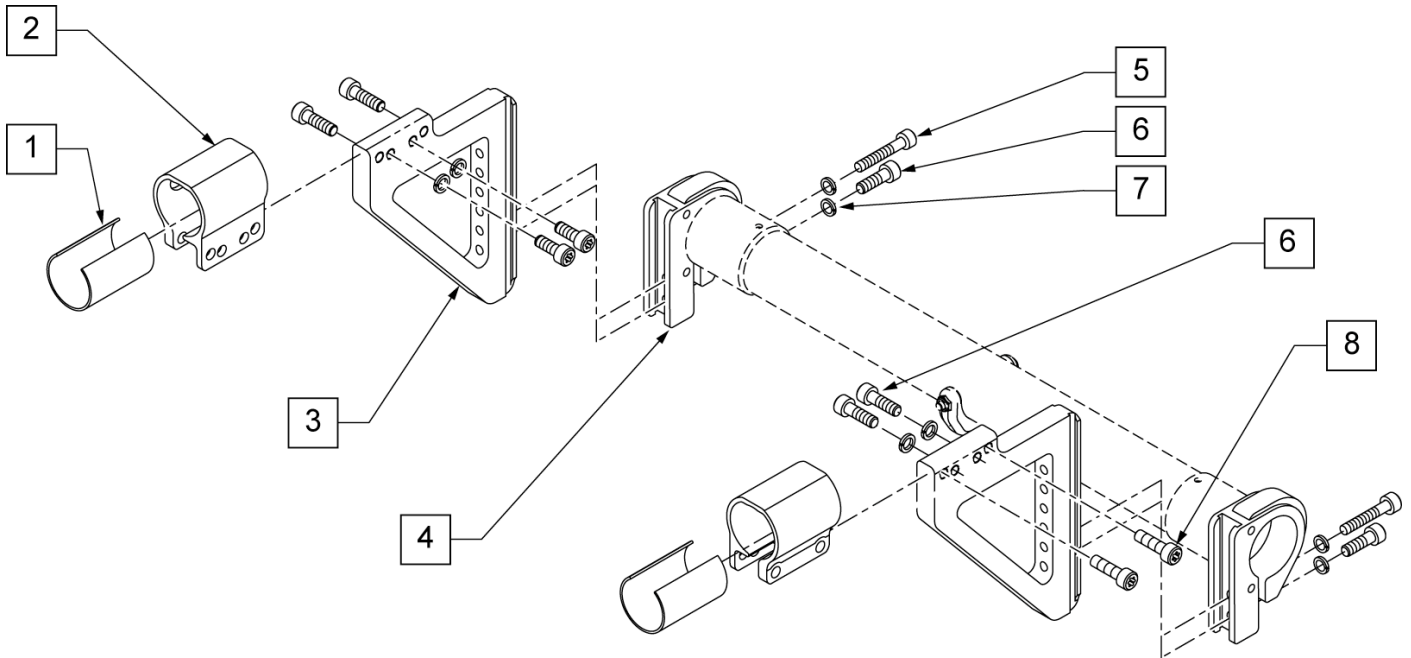


NOTE: ITEM 14 USED ON GT CHAIRS AFTER S/N R3-010580.



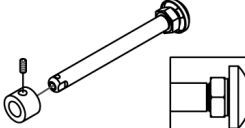
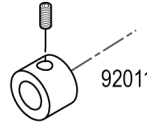
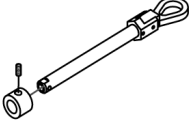
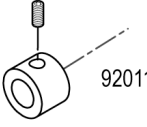

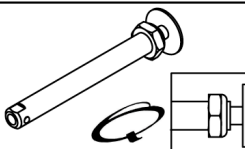
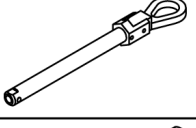
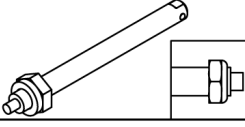
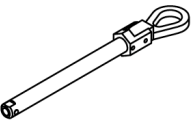
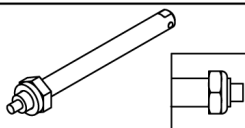
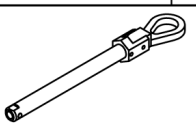
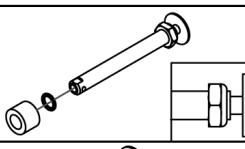
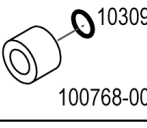


Pos.	Item Number	Description	Remarks
1	102262-001	BHCS M6 X 1 X 8 W/PL INORG	
2	050139	BEARING FLANGE 8MMIDX7.5MM LG	
3	050102	PIVOT SUSPENSION	
4	102263-004	SHCS M6 X 1 X 35 INORGANIC	
5	050129-001	LOCKWASHER HIGH COLLAR M6	
6	050096	MOUNT PIVOT SUSPENSION	
7	050095	MOUNT ELASTOMER SUSPENSION	
8A	050098-001	ELASTOMER SUSPENSION 55A (YEL)	User weight of 0-100 Lbs
8B	050098-002	ELASTOMER SUSPENSION 65A (RED)	User weight of 101-190 Lbs
8C	050098-003	ELASTOMER SUSPENSION 75A (BLUE)	User weight of 191-265 Lbs
9	102263-002	SHCS M6 X 1 X 20 INORGANIC	

Pos.	Item Number	Description	Remarks
10	050094	SWINGARM SUSPENSION	
11	050099	ELASTOMER REBOUND SUSP	
12	050097	BLOCK REBOUND SUSPENSION	
13	102263-001	SHCS M6 X 1 X 16 INORGANIC	
14A	102138-003	AXLE PLATE W/ DECAL R BLK LNG	GTI RIGHT
14A	102139-003	AXLE PLATE W/ DECAL L BLK LNG	GTI LEFT
14B	102138-001	AXLE PLATE W/ DECAL R GRAY LONG	GT RIGHT
14B	102139-001	AXLE PLATE W/ DECAL L GRAY LONG	GT LEFT
15	102263-003	SHCS M6 X 1 X 25 W/PL INORG	
16	104381	NUT HEX NYLOCK M6 x 1.0 INORG	
17	050101	SLEEVE AXLE PLATE	
1-7, 8A, 9-13	050191	SUSPENSION KIT YELLOW 0-100 Lbs	
1-7, 8B, 9-13	050192	SUSPENSION KIT RED 101-190 Lbs	
1-7, 8C, 9-13	050202	SUSPENSION KIT BLUE 191-265 Lbs	

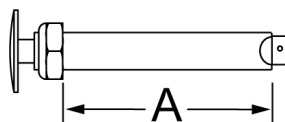


Pos.	Item Number	Description
1	050101	SLEEVE AXLE PLATE
2	050057	CLAMP AXLE PLATE
3	050210	PLATE AXLE OFFSET W/DECAL
4	050093	CLAMP CAMBER TUBE
5	102263-004	SHCS M6 X 1 X 35 INORGANIC
6	102263-002	SHCS M6 X 1 X 20 INORGANIC
7	050129-001	LOCKWASHER HIGH COLLAR M6
8	102264	SCHS M8 X 1.25 X 20 INORGANIC
3,4,5-7	050198	AMPUTEE AXLE PLATE RGD W/HDWR
1,2,7-8	050199	AMP AXLE PLT CLMP RGD W/HDWR
1-8	050200	AMP AXLE PLATE ASSM RIGID



Wheel Type	Axle Type		Axle P/N	Spacer P/N
<b>Mag Wheels</b>	Quick Release	1A 	922356 Includes Spacer A=4 3/4"	2A  920117
	Quad Quick Release	1B 	116390 A=4 3/4"	2A  920117
<b>Standard Spoke Wheels, Spinergy Wheels &amp; Mountain Wheels</b>	Quick Release 	1C 	109385 A=4 1/2"	N/A
	Quad Quick Release (N/A with Spinergy)	1D 	922170 A=4 1/2"	N/A
<b>Quickie Performance Wheels</b>	Quick Release (Steel)	1E 	920130 A=5 1/4"	N/A
	Quad Quick Release (Steel)	1F 	920174 A=5 1/4"	N/A
	Quick Release (Ti)	1G 	920137 A=5 1/4"	N/A
	Quad Quick Release (Ti)	1H 	920173 A=5 1/4"	N/A
<b>Ultra Light Wheels</b> (N/A with Quad Quick Release)	Quick Release	1C 	109385 Order Spacer A=4 1/2"	2C  103093 2B 100768-003
<b>Lite Spoke</b>	Quick Release 	1J 	107268 A=4 1/4"	N/A

*Quick Release  
Measuring Guide*



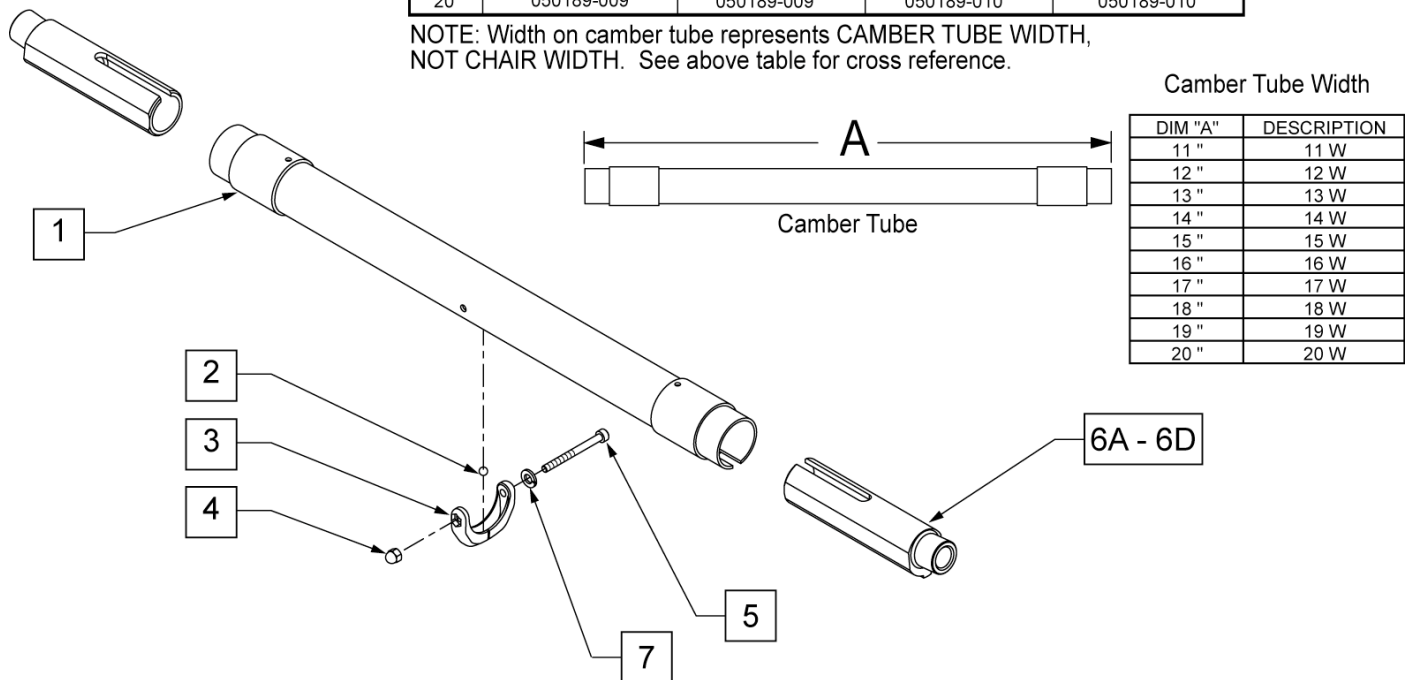
Pos.	Item Number	Description	Remarks
1A	922356	QR AXLE BIG BUTTON W/ SPACER	Includes spacer
1B	116390	QR AXLE W/SPACER FOR 6S MAG	
1C	109385	QR AXLE M12 NUT CLR BIG BUTTON	
1D	922170	QR AXLE W/ QUAD NUT PUSH BUTTON	Not available with spinergy
1E	920130	QR AXLE NON-RECESSED HUB W/ NUT	
1F	920174	QR AXLE NON-RECESSED W/ QUAD NUT	
1G	920137	QR AXLE W/ NUT TI	
1H	920173	QR AXLE TI W/ QUAD NUT	
1J	107268	QR AXLE AND NUT SHORT BIG BTTN	
2A	920117	MAG SPACER 6S W/SET SCREW	
2B	100768-003	SPACER AXLE 220DX12.71X12MM	
2C	103093	O-RING 1/2"IDX11/16"OD BUNA-N	

**NOTE:** When changing camber from (0 -3 Deg) to (6 -9 Deg) or the reverse, it is necessary to change camber tubes, and for the axle plates and clamps to be swapped left & right. Please refer to linked instruction sheet.

**NOTE:** When re-assembling camber plugs, verify that the final pin location is lined up inside of the camber tube clamp.

CHAIR WIDTH	CAMBER TUBE PART NUMBER			
	0 CAMBER	3 CAMBER	6 CAMBER	9 CAMBER
12"	050189-001	050189-001	050189-002	050189-002
13"	050189-002	050189-002	050189-003	050189-003
14"	050189-003	050189-003	050189-004	050189-004
15"	050189-004	050189-004	050189-005	050189-005
16"	050189-005	050189-005	050189-006	050189-006
17"	050189-006	050189-006	050189-007	050189-007
18"	050189-007	050189-007	050189-008	050189-008
19"	050189-008	050189-008	050189-009	050189-009
20"	050189-009	050189-009	050189-010	050189-010

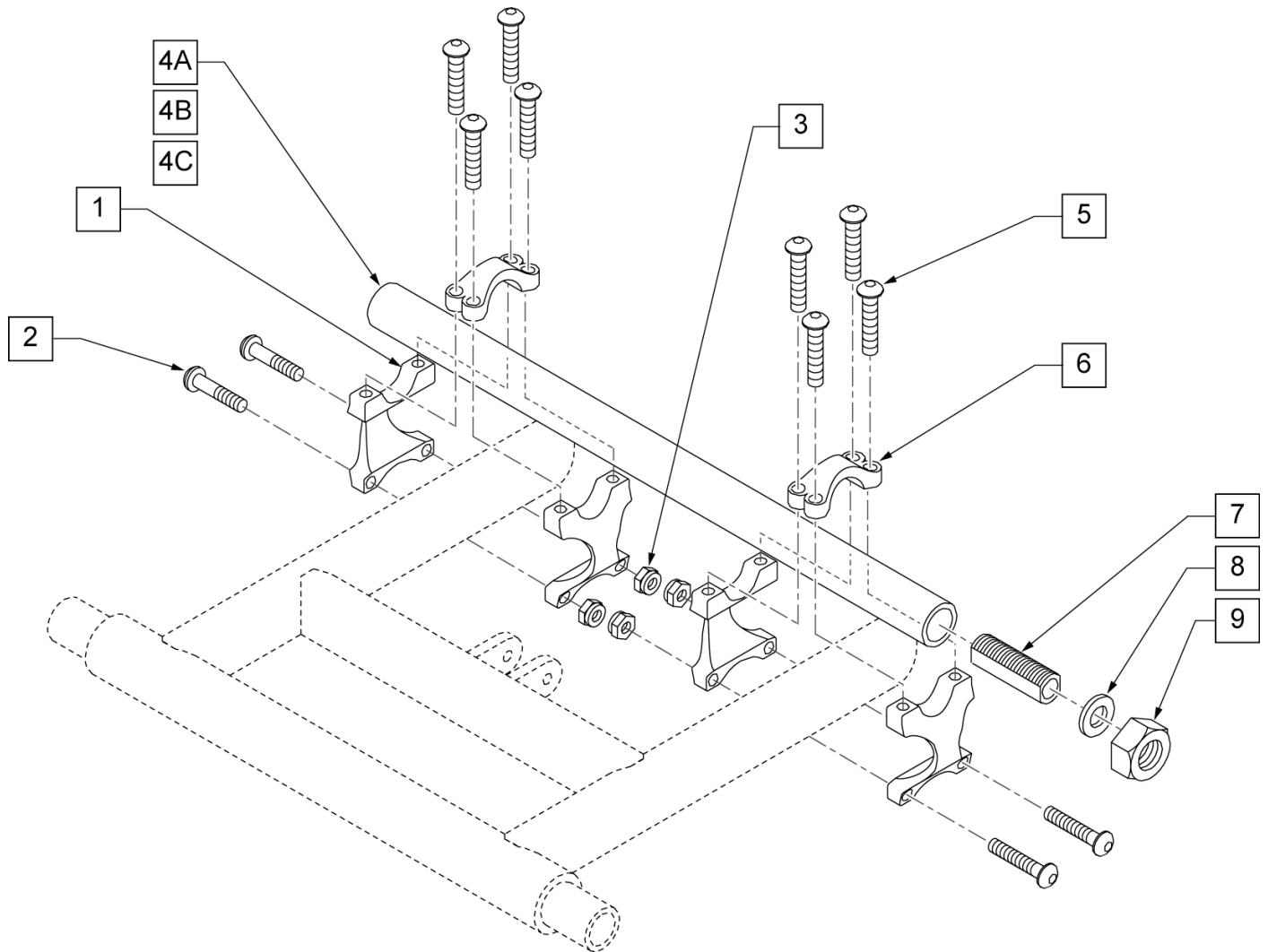
**NOTE:** Width on camber tube represents CAMBER TUBE WIDTH, NOT CHAIR WIDTH. See above table for cross reference.



DIM "A"	DESCRIPTION
11 "	11 W
12 "	12 W
13 "	13 W
14 "	14 W
15 "	15 W
16 "	16 W
17 "	17 W
18 "	18 W
19 "	19 W
20 "	20 W

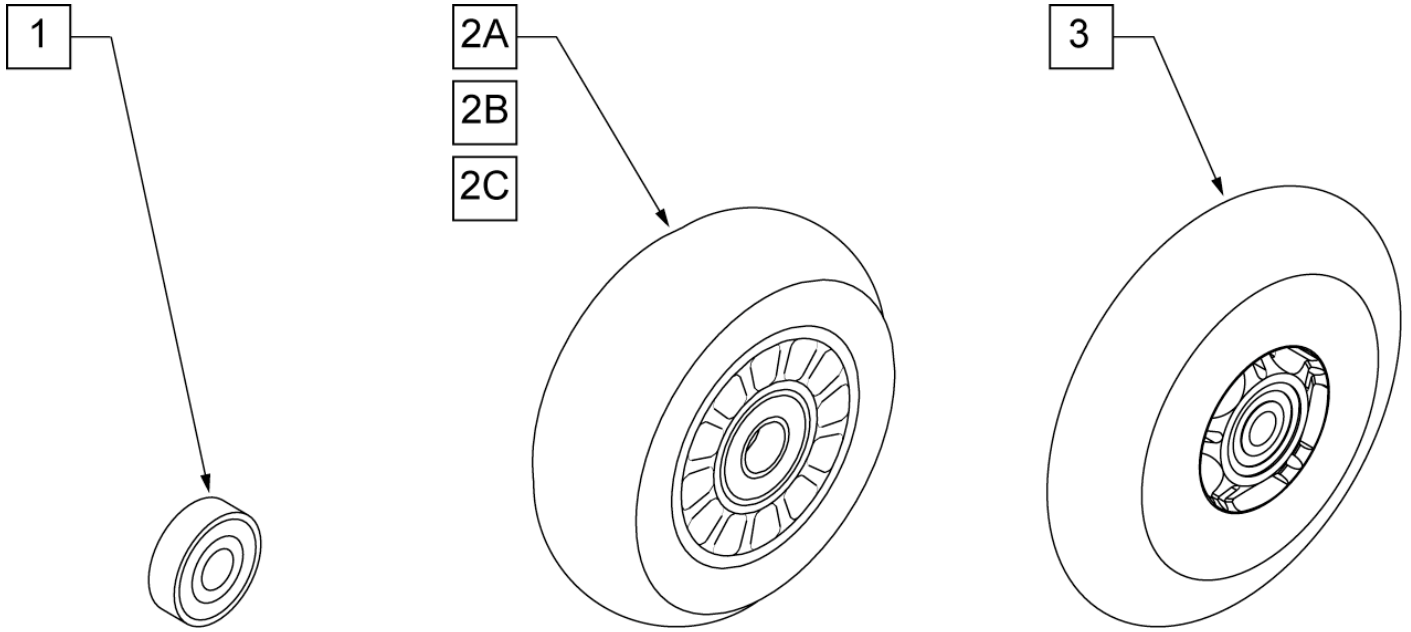
Pos.	Item Number	Description	Pos.	Item Number	Description
2	050091	BEARING LEVEL CAMBER TUBE	1-5	050189-001	ASSY TUBE CAMBER BLK 11W
3	050090	LEVEL CAMBER TUBE	1-5	050189-002	ASSY TUBE CAMBER BLK 12W
4	115918	M4 NUT ACORN PLASTIC BLACK	1-5	050189-003	ASSY TUBE CAMBER BLK 13W
5	102258	SHCS M4X.7X45 BLK W/PL ORG	1-5	050189-004	ASSY TUBE CAMBER BLK 14W
6A	103926-001	PLUG CAMBER AXLE 0 DEGREE BLK	1-5	050189-005	ASSY TUBE CAMBER BLK 15W
6B	103926-002	PLUG CAMBER AXLE 3 DEGREE BLK	1-5	050189-006	ASSY TUBE CAMBER BLK 16W
6C	103926-003	PLUG CAMBER AXLE 6 DEGREE BLK	1-5	050189-007	ASSY TUBE CAMBER BLK 17W
6D	103926-004	PLUG CAMBER AXLE 9 DEGREE BLK	1-5	050189-008	ASSY TUBE CAMBER BLK 18W
7	050129-002	LOCKWASHER HIGH COLLAR M4	1-5	050189-009	ASSY TUBE CAMBER BLK 19W
2-5	050190	CAMBER TUBE LEVEL ASSEMBLY	1-5	050189-010	ASSY TUBE CAMBER BLK 20W

NOTE: Effective on GT chairs after S/N R3-012700 & R3A-012762.



Pos.	Item Number	Description	Remarks
1	506150	SWING ARM CLAMP XTR	
2	226066	1/4-28 x 1.1" BH C/S BLK	
3	106935	NUT NYLOCK THIN 1/4 -28 ROHS	
4A	525200	14" CAMBER TUBE 0 DEG	14" Wide 0° Camber
4A	525201	15" CAMBER TUBE 0 DEG	15" Wide 0° Camber
4A	525202	16" CAMBER TUBE 0 DEG	16" Wide 0° Camber
4A	525203	17" CAMBER TUBE 0 DEG	17" Wide 0° Camber
4A	525204	18" CAMBER TUBE 0 DEG	18" Wide 0° Camber
4A	525205	19" CAMBER TUBE 0 DEG	19" Wide 0° Camber
4A	525206	20" CAMBER TUBE 0 DEG	20" Wide 0° Camber
4B	525210	CAMBER TUBE 4 DEG 14" REVOLU	14" Wide 4° Camber
4B	525211	CAMBER TUBE 4 DEG 15" REVOLU	15" Wide 4° Camber
4B	525212	CAMBER TUBE 4 DEG 16" REVOLU	16" Wide 4° Camber
4B	525213	CAMBER TUBE 4 DEG 17" REVOLU	17" Wide 4° Camber
4B	525214	CAMBER TUBE 4 DEG 18" REVOLU	18" Wide 4° Camber

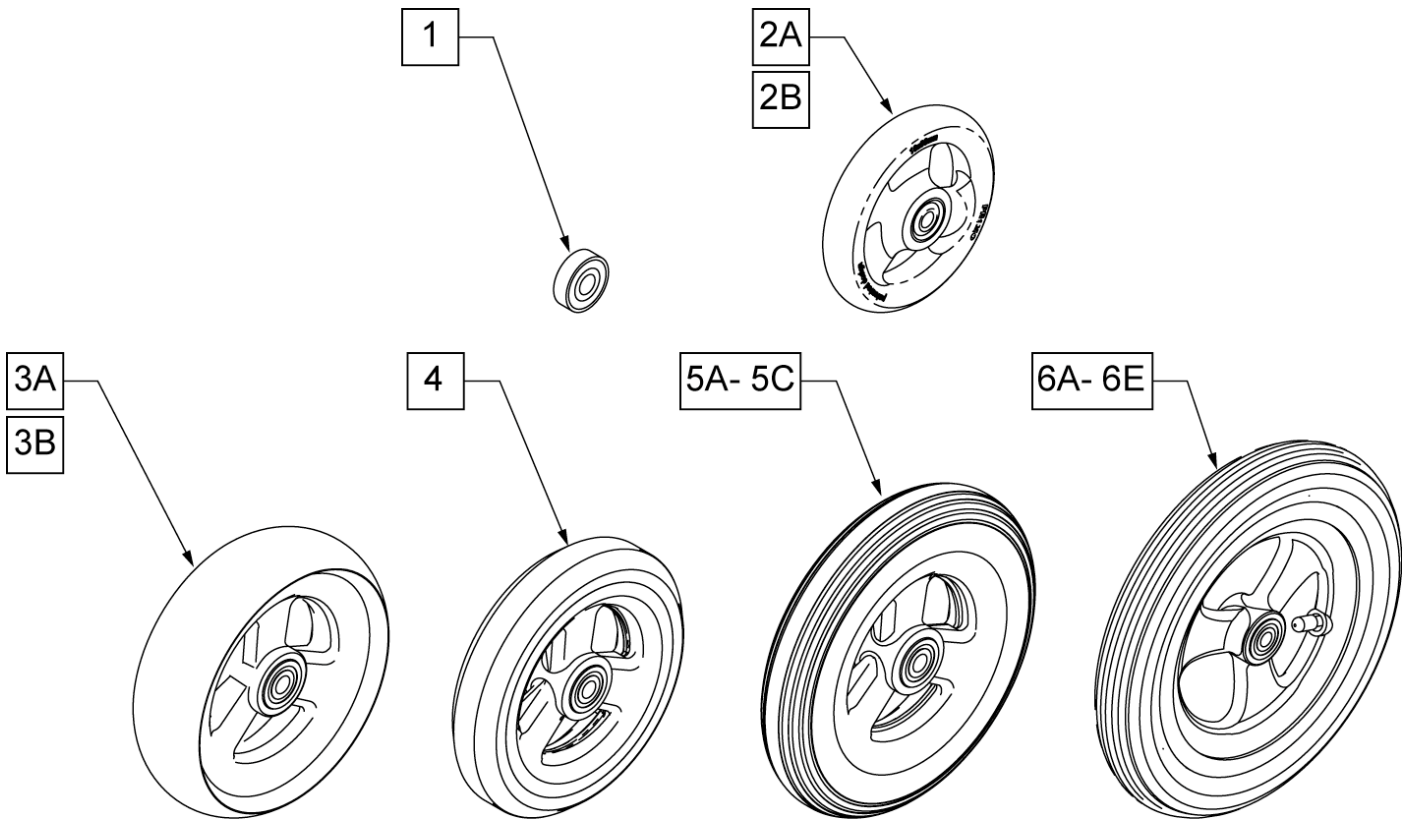
Pos.	Item Number	Description	Remarks
4B	525215	CAMBER TUBE 4 DEG 19" REVOLU	19" Wide 4° Camber
4B	525216	CAMBER TUBE 4 DEG 20" REVOLU	20" Wide 4° Camber
4C	525220	CAMBER TUBE 8 DEG 14" REVOLU	14" Wide 8° Camber
4C	525221	CAMBER TUBE 8 DEG 15" REVOLU	15" Wide 8° Camber
4C	525222	CAMBER TUBE 8 DEG 16" REVOLU	16" Wide 8° Camber
4C	525223	CAMBER TUBE 8 DEG 17" REVOLU	17" Wide 8° Camber
4C	525224	CAMBER TUBE 8 DEG 18" REVOLU	18" Wide 8° Camber
4C	525225	CAMBER TUBE 8 DEG 19" REVOLU	19" Wide 8° Camber
4C	525226	CAMBER TUBE 8 DEG 20" REVOLU	20" Wide 8° Camber
5	226078	1/4-20 x 3/4 BH C/S W/PATCH	
6	506152	AXLE CLAMP XTR	
7	481069	AXLE SLEEVE 1°	
8	116570	WASHER FLAT 3/4 X 1.25 BLK ZNC	
9	116569	NUT HEX 3/4-16 BLACK ZINC	
7,8,9	920114	AXLE SLEEVE 1° W/HARDWARE	
1-3,5,6	880927	AXLE CLAMP ASSEMBLY XTR	



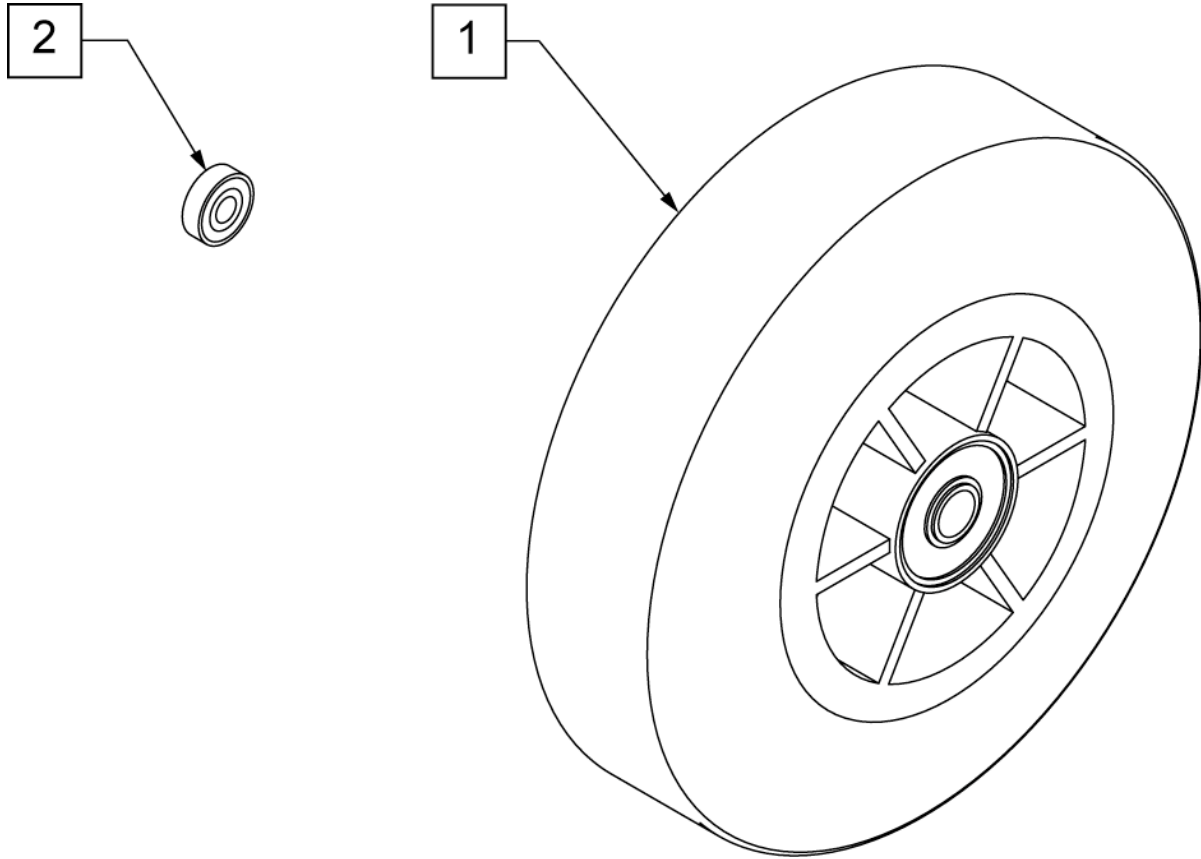
Pos.	Item Number	Description	HCPC	Remarks
1	349502	7/8"x 5/16" BEARING		
2A	400108	4" MICRO CASTER LIGHTED	K0077	4" MICRO LIGHTED
2B	920025	3" MICRO CASTER W/ BEARING -PAIR	K0077	PAIR 3" MICRO
2C	400107	3" MICRO CASTER LIGHTED	K0077	3" MICRO LIGHTED
3	052129	5" MICRO CASTER LIGHTED	K0077	5" MICRO LIGHTED



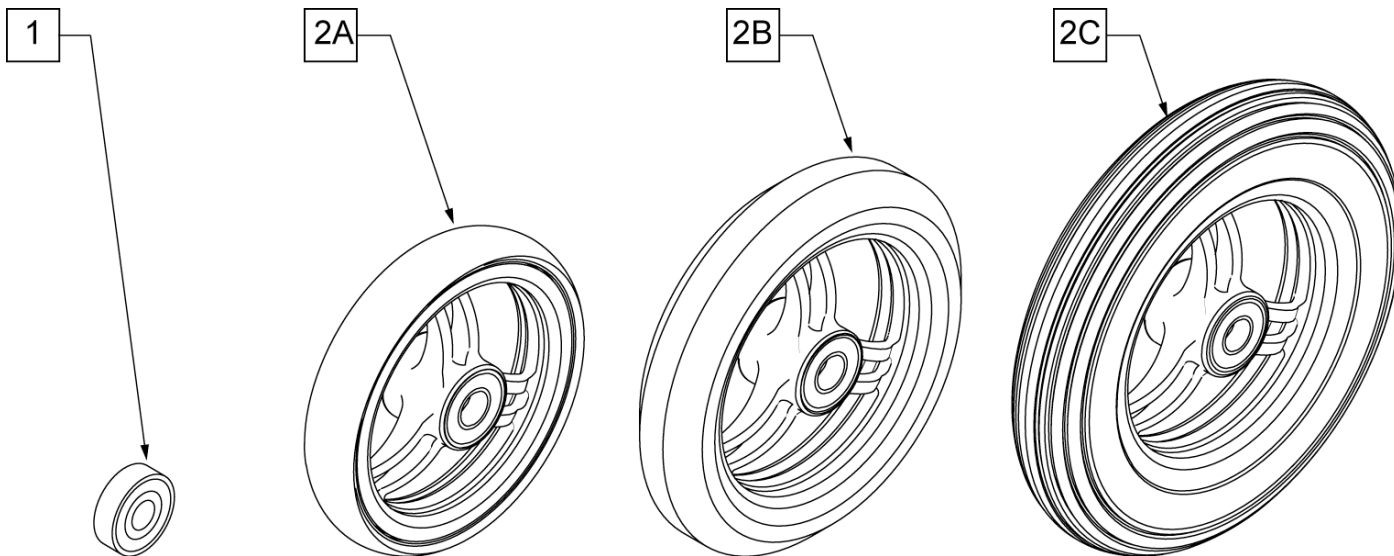
NOTE: 7" AND 8" CASTERS ARE NOT AVAILABLE ON THE Q2 LITE.



Pos.	Item Number	Description	Remarks
1	349502	7/8"x 5/16" BEARING	
2A	101957	4"X1-1/4 POLY 3 SPOKE CSTR	4" X 1.25 SEMI-PNEUMATIC
2B	101098	CASTER 4" PLASTIC/POLY W/BRG	4" LOW PROFILE POLY
3A	101259	5"X1-1/2" POLY 3 SPOKE CSTR	5" x 1.5" SEMI-PNEUMATIC
3B	101255	6"X1-1/2" POLY 3 SPOKE CSTR	6" x 1.5" SEMI-PNEUMATIC
4	101254	5" LOW POLY 3 SPOKE CASTER	5" LOW PROFILE POLY
5A	101256	6" SEMI PNEU 3 SPOKE CASTER	6" POLY
5B	101257	6" PNEUMATIC 3 SPOKE CASTER	6" PNEUMATIC
5C	383245	6" PNEUMATIC TIRE & TUBE	
6A	400212	CASTER 8" PNEU 3 SPK ASSM	8" PNEUMATIC
6B	400213	CASTER 8" POLY 3 SPK ASSM	8" POLY
6C	400214	CASTER 8" LOW POLY 3 SPK ASSM	7" x LOW PROFILE POLY
6D	383255	8" PNEUMATIC TIRE & TUBE	
6E	400215	CASTER 8" WIDE POLY 3 SPK ASSM	8" x 1.5" LOW POLY



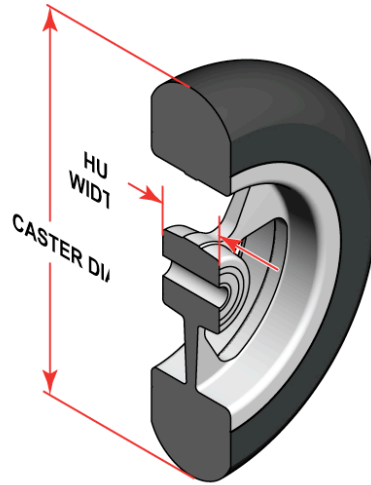
Pos.	Item Number	Description	HPCP	Remarks
1	400103	CASTER 5" SOFT ROLL W/BRNGS	K0077	5" SOFT ROLL SEMI PNEU (GREY)
2	349502	7/8"x 5/16" BEARING		



Pos.	Item Number	Description	HCPC	Remarks
1	349502	7/8"x 5/16" BEARING		
2A	101946-001	CASTR 4X1 ALUM/POLY W/BRG CLR	K0077	4" x 1" ALUMINUM POLY
2B	101946-002	CASTR 5X1 ALUM/POLY W/BRG CLR	K0077	5" x 1" ALUMINUM POLY
2C	101946-003	CASTR 6X1 ALUM/POLY W/BRG CLR	K0077	6" x 1" ALUMINUM POLY



SIDE VIEW

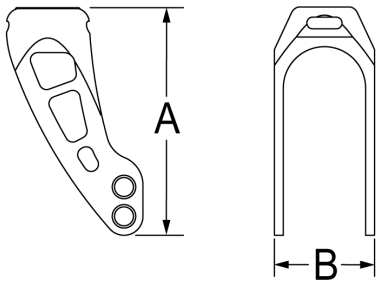
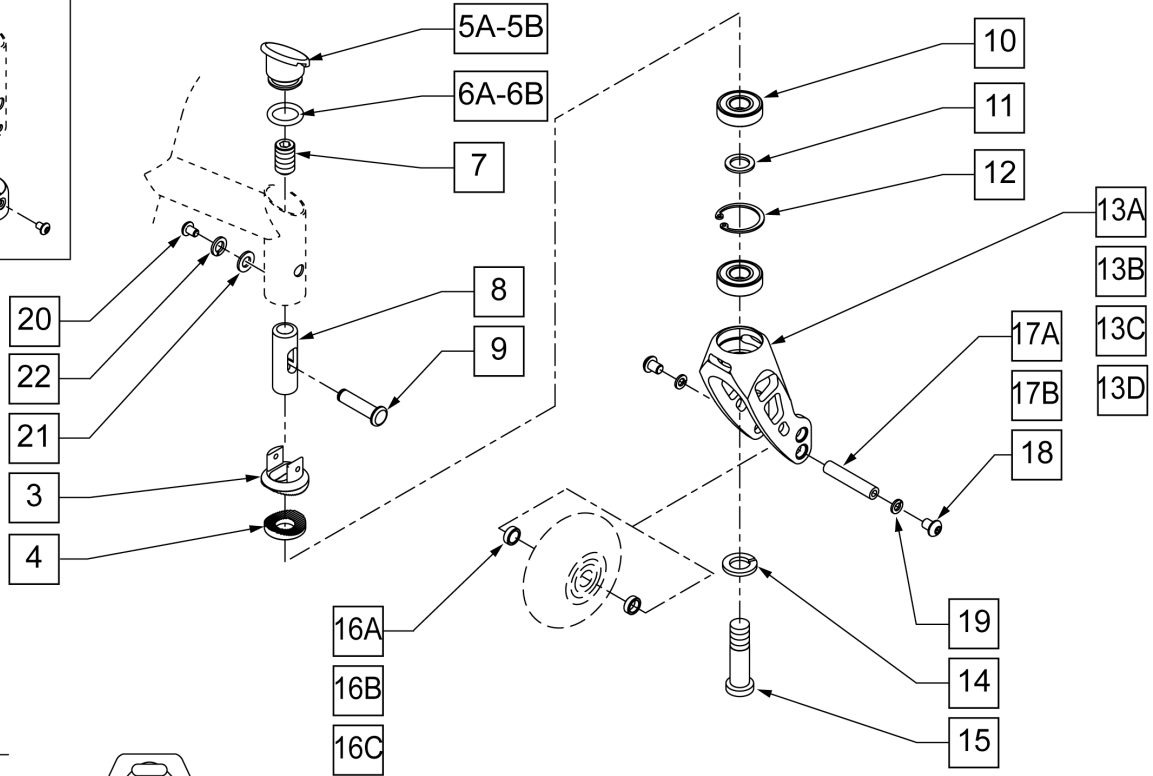
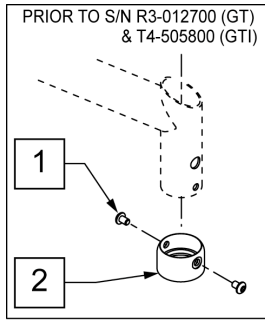


CASTER MEASURING GUIDE

TIRE DIAMETER	HUB WIDTH
3	1
4 1/8	1
5	1
6	1

Pos.	Item Number	Description	HCPC	Remarks
>>>>		3 INCH DIAMETER CASTERS WITH SILVER HUBS		
1	113394	WHEEL CASTER 3" ULTRALITE SFTRLL	K0077	3" x 1.5" Aluminum Soft Roll - Black tire - Silver hub
>>>>		4 INCH DIAMETER CASTERS WITH SILVER HUBS		
1	113395	WHEEL CASTER 4" ULTRALITE SFTRLL	K0077	4" x 1.5" Aluminum Soft Roll - Black tire - Silver hub
>>>>		5 INCH DIAMETER CASTERS WITH SILVER HUBS		
1	113396	WHEEL CASTER 5" ULTRALITE SFTRLL	K0077	5" x 1.5" Aluminum Soft Roll - Black tire - Silver hub
>>>>		6 INCH DIAMETER CASTERS WITH SILVER HUBS		
1	113397	WHEEL CASTER 6" ULTRALITE SFTRLL	K0077	6" x 1.5" Aluminum Soft Roll - Black tire - Silver hub

Note: For Purple, Blue ,Red, & Green Anodized Forks contact "Built 4 Me".



**FORK MEASURING GUIDE**

FORK	DIM A	DIM B	BLACK PART #	GREY PART #
SHORT NARROW	3 7/8"	1 5/8"	922111	922109
TALL NARROW	4 3/8"	1 5/8"		922110
SHORT WIDE	4 3/8"	2 1/8"	108771	
TALL WIDE	4 7/8"	2 1/8"	050150	050350

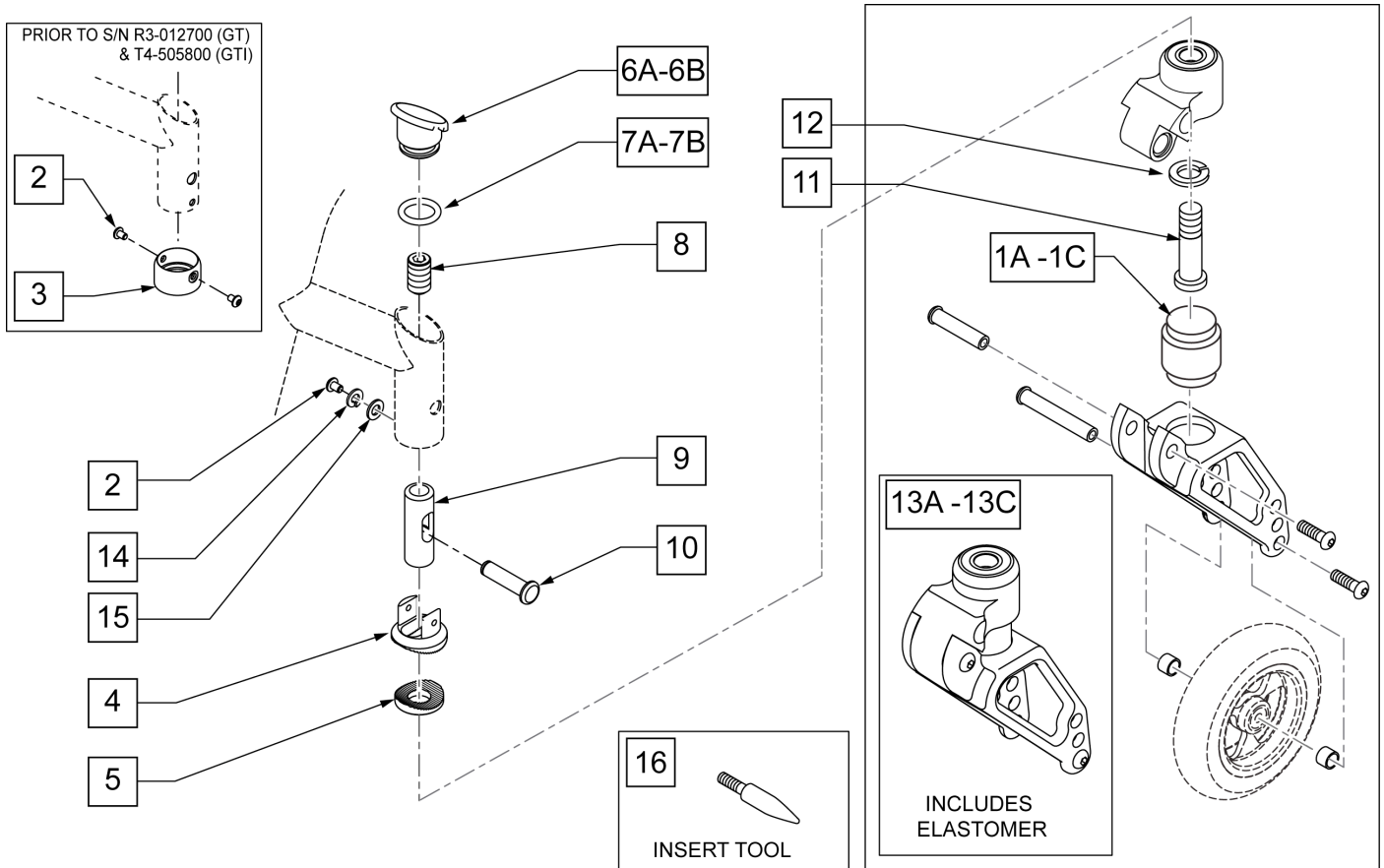
Pos.	Item Number	Description	Remarks
1	102257	BHCS M4 X .7 X 8 INORGANIC	
2	050039	CUP SPLINE ANG ADJ	
3	502050	SPLINE CASTER ANGLE ADJ UPPER	
4	502051	SPLINE CASTER ANGLE ADJ LOWER	
5A	050087	CAP CASTER ANG ADJ	Used w/ GT chairs
5B	101438	CAP CASTER ANG ADJ .061 WALL	Used w/ GTi chairs
6A	050074	O-RING .625 ID x .125W	Used w/ GT chairs
6B	052080	O-RING .75" ID X .125" W	Used w/ GTi chairs
7	050134	SET SCREW M12 x 20MM LG FLT PT	
8	050041	BARREL PIVOT ANG ADJ	
9	050040	PIN PIVOT ANG ADJ	
10	349104	BRNG 28MM OD 12MM ID 8MM THK	
11	265162	WSHR FLT 18MM OD 12MM ID 1.5MM	
12	342093	RING SNAP INTERNAL 28MM	

Pos.	Item Number	Description	Remarks
14	265161	WASHER, LOCK, M12	
15	481398	SHCS M12 x 1.75 ANGLE ADJ	
16A	481353	SPACER, BEARING	USED W/ SHORT FORK
16B	050043-001	SPCR BRNG CSTR 9.65MM	USED W/ WIDE FORK
16C	050043-002	SPCR BRNG CSTR 2.20MM	USED W/ 5" SOFT ROLL CASTER
17A	481483	AXLE, CASTER, 1.58 LG	USED W/ STD FORKS, 1 1/2" WIDE
17B	050042	AXLE CASTER 52MM	USED W/ WIDE FORKS, 2 " WIDE
18	102259-001	BHCS M5 x .8 x 12 W/ PL INORG	
19	262132	WASHER LOCK M5	
20	102257	BHCS M4 x .7 x 8 INORGANIC	
21	109774	WASHER FLAT M4 BLACK INORG	
22	050129-002	LOCKWASHER HI COLLAR M4	
1-5A,6A-9,14,15	050224	SPLINE CASTER HDWR KIT	
10-12,13A,17A,18-19	050222	ASSM INTGRL FRK W/AXLE SHT BLK	
10-12,13D,16B,17B-19	050223	ASSM INTGRL FRK W/AXLE WD BLK	
10-12,13D,16C,17B-19	050231	ASSM INTGRL FRK W/AXL WD SFT RL	
10-12,13A,17A,18-19	102126-001	INTGRL FORK W/AXLE GRY SHT	
10-12,13D,16B,17B-19	102126-002	INTGRL FORK W/AXLE GRY WD	
10-12,13D,16C,17B-19	102126-003	INTGRL FORK W/AXLE GRY SFT RL	
10-13A	922111	ASSM INTGRL BRNG FORK SHRT BLK	Short Narrow -BLACK
10-13A	922109	ASSM INTGRL BRNGS FORK SHORT(GRY)	Short Narrow -GRAY
10-13B	922110	ASSM INTGRL BRNGS FORK TALL	Tall Narrow -GRAY
10-13C	108771	FORK SHORT WIDE ASSM	Short Wide -BLACK
10-13D	050350	ASSY FORK INT BRG WIDE GRY	Tall Wide -GRAY
10-13D	050150	ASSM FORK INTGRL BEARING WIDE	Tall Wide -BLACK
10-12,13B,17A,18,19	117831	ASSM INTGRL FRK W/AXLE TAL GRY	
10-12,13C,16B,17B-19	117832	ASSM INT FRK W/AXLE S WD BLK	
10-12,13C,16C,17B-19	117833	ASSM INT FRK W/AXLE S WD SFTRL	



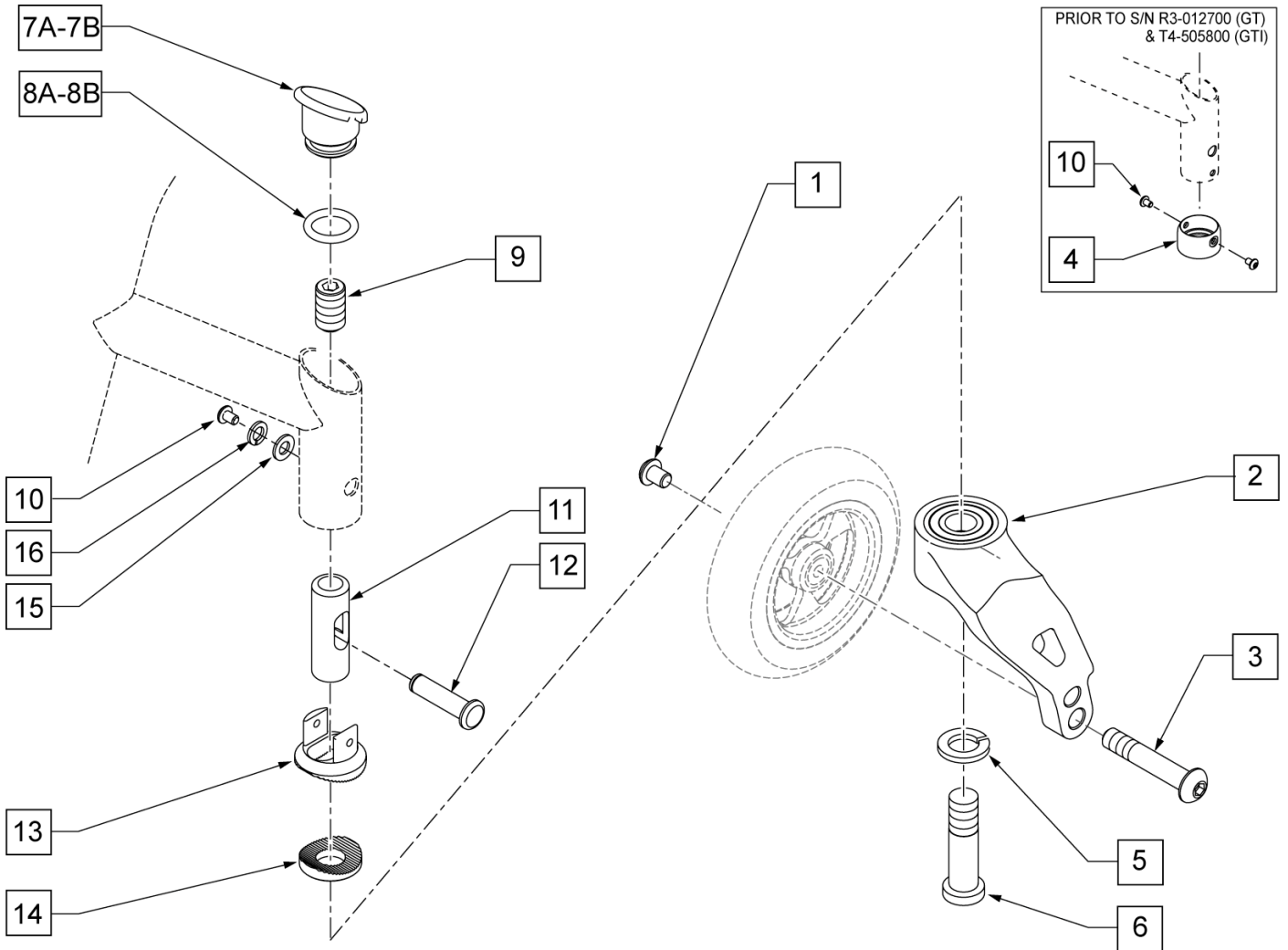
**Note:** Item 16 is used to aid in aligning the upper and lower fork assembly during Frog Leg assembly and elastomer replacement. See instruction sheet for details.

**Note:** Frog Legs will ship unassembled to facilitate replacement of the Caster Stem.

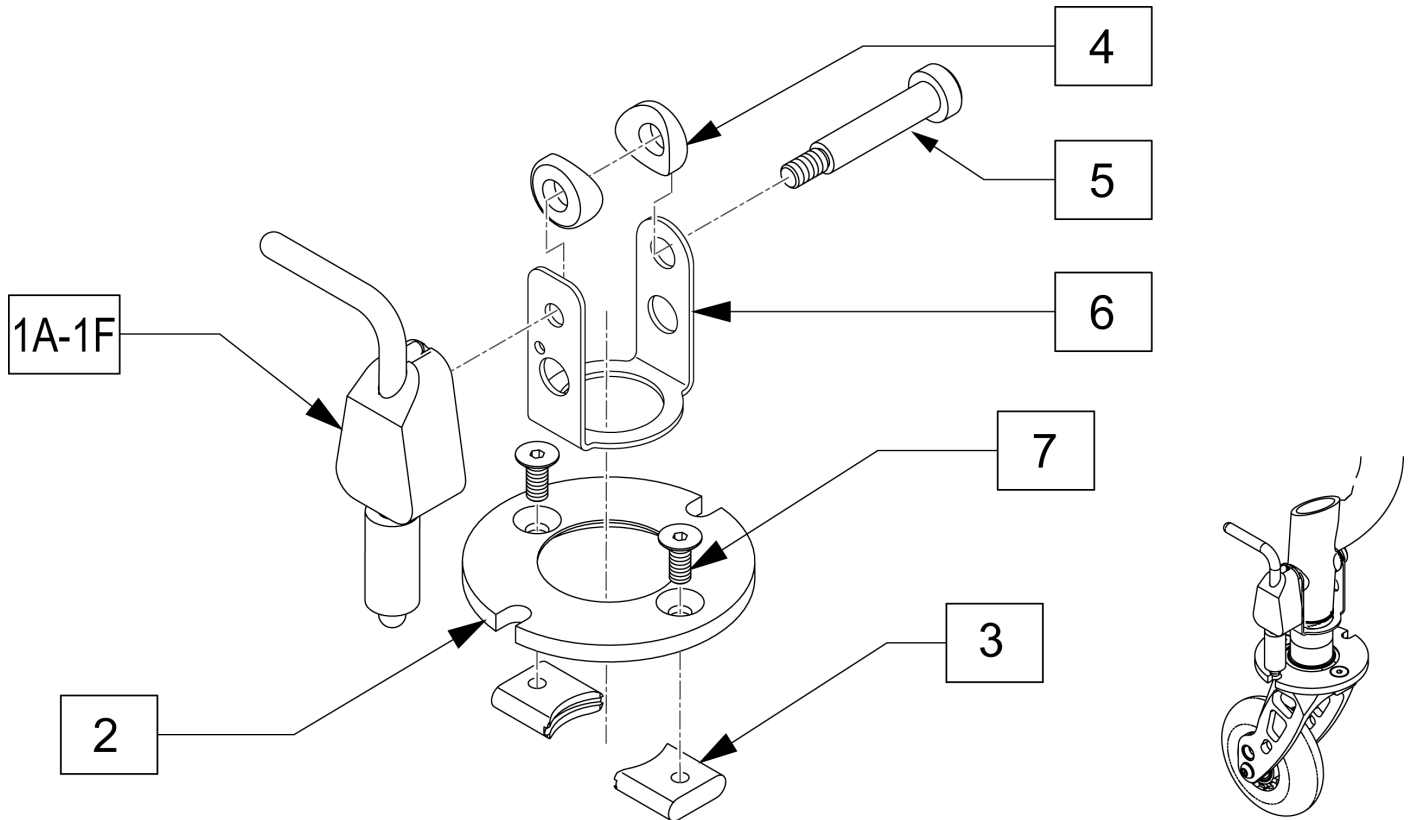


Pos.	Item Number	Description	Remarks
1A	050156-001	ELASTOMER FROGLEGS SOFT	0 -100 Lbs
1B	050156-002	ELASTOMER FROGLEGS MEDIUM	101 -190 Lbs
1C	050156-003	ELASTOMER FROGLEGS FIRM	191 -265 Lbs
2	102257	BHCS M4 x .7 x 8 INORGANIC	
3	050039	CUP SPLINE ANG ADJ	
4	502050	SPLINE, CASTER, ANGLE ADJ, UPPER	
5	502051	SPLINE, CASTER, ANGLE ADJ, LOWER	
6A	050087	CASTER CAP ANGLE ADJ	Used w/ GT chairs
6B	101438	CAP CASTER ANG ADJ .061 WALL	Used w/ GTi chairs
7A	050074	O-RING .625 ID x .125W	Used w/ GT chairs
7B	052080	O-RING .75" ID X .125" W	Used w/ GTi chairs
8	050134	SET SCREW M12 x 20MM LG FLT PT	
9	050041	BARREL PIVOT ANG ADJ	
10	050040	PIN PIVOT ANG ADJ	
11	481398	SHCS, M12 x 1.75, ANGLE ADJ	
12	107359	WASHER SPLIT LOCK M12 ROHS	
13A	050225-001	FORK FROGLEGS INT BRNG SOFT	
13B	050225-002	FORK FROGLEGS INT BRNG MED	
13C	050225-003	FORK FROGLEGS INT BRNG FIRM	

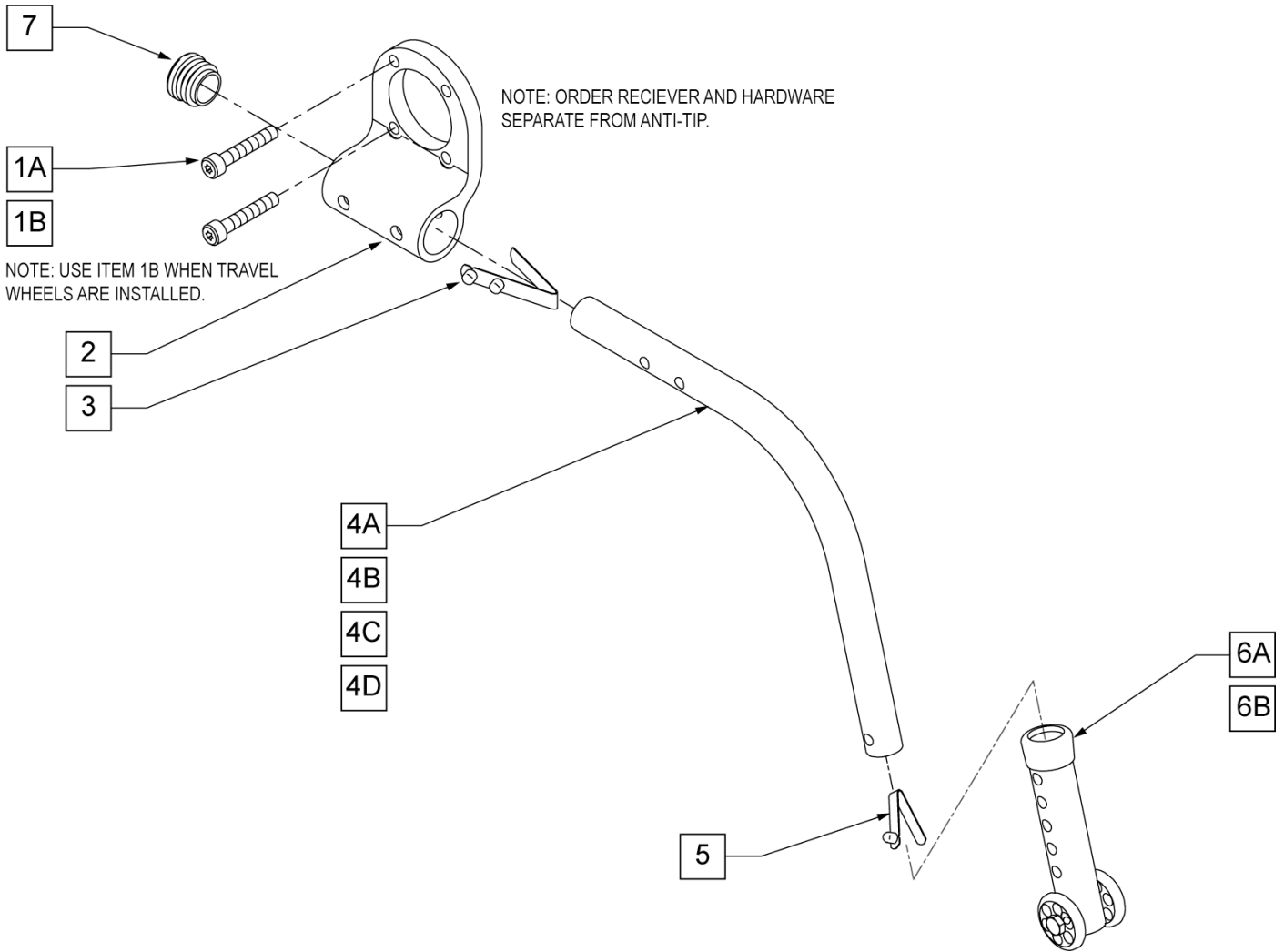
<b>Pos.</b>	<b>Item Number</b>	<b>Description</b>	<b>Remarks</b>
14	050129-002	LOCKWASHER HIGH COLLAR M4	
15	109774	WASHER FLAT M4 BLACK INORG	
16	116351	FROG LEG FORK ASSEMBLY TOOL	
2-6A,7A-12	050224	SPLINE CASTER HDWR KIT	



Pos.	Item Number	Description	Remarks
1-3	109266	FROG LEGS UNI-TINE, BLK (W/12MM BRG)	
1-3	109267	FROG LEGS UNI-TINE, SLV (W/12MM BRG)	
4	050039	CUP SPLINE ANG ADJ	
5	265161	WASHER LOCK M12	
6	481398	SHCS, M12 x 1.75, ANGLE ADJ	
7A	050087	CASTER CAP ANGLE ADJ	Used w/ GT chairs
7B	101438	CAP CASTER ANG ADJ .061 WALL	Used w/ GTi chairs
8A	050074	O-RING .625 ID X .125W	Used w/ GT chairs
8B	052080	O-RING .75" ID X .125" W	Used w/ GTi chairs
9	050134	SET SCREW M12 X 20MM LG FLT PT	
10	102257	BHCS M4 X .7 X 8 INORGANIC	
11	050041	BARREL PIVOT ANG ADJ	
12	050040	PIN PIVOT ANG ADJ	
13	502050	SPLINE, CASTER, ANGLE ADJ, UPPER	
14	502051	SPLINE, CASTER, ANGLE ADJ, LOWER	
15	109774	WASHER FLAT M4 BLACK INORG	
16	050129-002	LOCK WASHER HIGH COLLAR M4	
5-14	050224	SPLINE CASTER HDWR KIT	



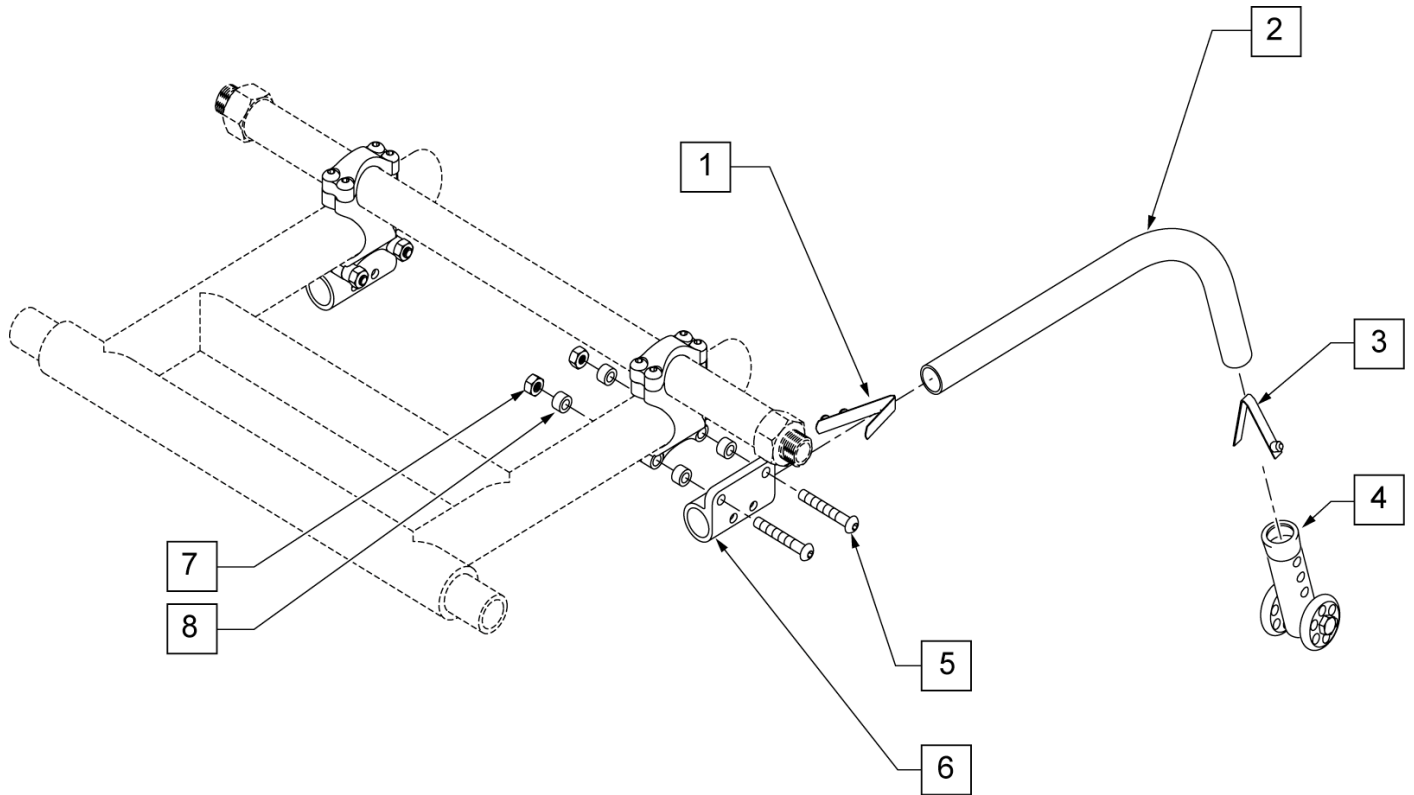
Pos.	Item Number	Description	Remarks
1A	052310-001	BLOCK ASSY CSTR PIN OLCK R STD	RIGHT GT, GTi,GTX
1B	052311-001	BLOCK ASSY CSTR PIN LOCK L STD	LEFT GT, GTi,GTX
1C	052310-002	BLOCK ASSY CSTR PIN LOCK R +.5	RIGHT GTX only
1D	052311-002	BLOCK ASSY CSTR PIN LOCK L +.5	LEFT GTX only
1E	052310-003	BLOCK ASSY CSTR PIN LOCK R +1	RIGHT GTX only
1F	052311-003	BLOCK ASSY CSTR PIN LOCK L +1	LEFT GTX only
2	050047	PLATE CASTER LOCK ANG ADJ	
3	050050	KEY CASTER LOCK ANG ADJ	
4	050053	SADDLE 17.8MM OD 8MM HOLE	
5	050133	SHOULDER SCREW 8MMOD X 35MM LG	
6	050048	YOKE CASTER PIN LOCK ANG ADJ	
7	102261	FHCS M5 X 12 INORGANIC	
1A,2-7	102149-001	ASSY CASTER PIN LOCK R STD	RIGHT GT, GTi,GTX
1B,2-7	102149-002	ASSY CASTER PIN LOCK R +.5	RIGHT GTX only
1C,2-7	102149-003	ASSY CASTER PIN LOCK R +1	RIGHT GTX only
1D,2-7	102150-001	ASSY CASTER PIN LOCK L STD	LEFT GT, GTi,GTX
1E,2-7	102150-002	ASSY CASTER PIN LOCK L +.5	LEFT GTX only
1F,2-7	102150-003	ASSY CASTER PIN LOCK L +1	LEFT GTX only



Pos.	Item Number	Description	Remarks
1A	102260-001	SHCS M5 X .8 X 18 INORGANIC	ORDER SEPARATELY
1B	102260-003	SHCS M5 X .8 X 35 INORGANIC	ORDER SEPARATELY
2	050203	RECEIVER ANTI TIP GT	ORDER SEPARATELY
3	301109	SNAP BUTTON DUAL ONE SIDE	
5	301100	1/4" SNAP BTTN SINGLE	
7	560735	7/8 ROUND TUBE PLUG	
3,4A,5	050248-003	ANTI-TIP TB R SML (22) W/SNAP	RIGHT-22" WHEELS
3,4A,5	050248-004	ANTI-TIP TB L SML (22) W/SNAP	LEFT-22" WHEELS
3,4B,5	050248-005	ANTI-TIP TB R MED (24) W/SNAP	RIGHT-24"&25" WHEELS
3,4B,5	050248-006	ANTI-TIP TB L MED (24) W/SNAP	LEFT-24"&25" WHEELS
3,4C,5	050248-007	ANTI-TIP TB R LRG (26) W/SNAP	RIGHT-26" WHEELS
3,4C,5	050248-008	ANTI-TIP L TB LRG (26) W/SNAP	LEFT-26" WHEELS
3,4D,5	050248-001	ANTI-TIP TB R CRVD (20) W/SNAP	RIGHT-20" WHEELS
3,4D,5	050248-002	ANTI-TIP TB L CRVD (20) W/SNAP	LEFT-20" WHEELS
6A	050247-001	ANTI-TIP SLV W/WHLS BLK (5P)	20"&22"WHEELS
6B	050247-002	ANTI-TIP SLV W/WHLS BLK (6P)	24",25"&26"WHEELS
3,4B,5,6B	050172-003	REAR ANTI TIP ASSM 24" RIGHT	RIGHT-24"&25"WHEELS
3,4B,5,6B	050173-003	REAR ANTI TIP ASSM 24" LEFT	LEFT-24"&25"WHEELS
3,4C,5,6B	050172-004	REAR ANTI TIP ASSM 26" RIGHT	RIGHT-26" WHEELS
3,4C,5,6B	050173-004	REAR ANTI TIP ASSM 26" LEFT	LEFT-26" WHEELS

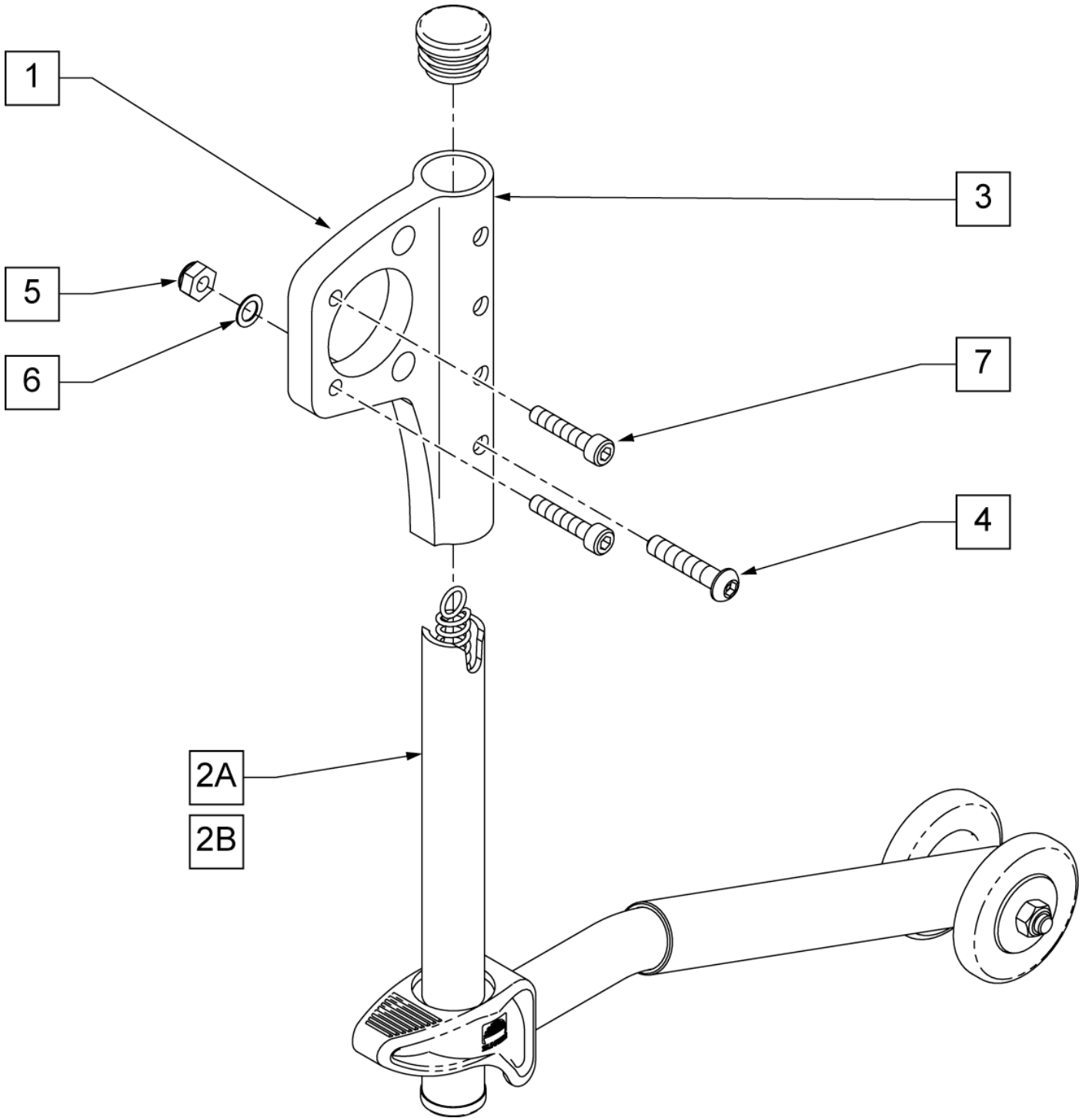
<b>Pos.</b>	<b>Item Number</b>	<b>Description</b>	<b>Remarks</b>
3,4D,5,6A	050172-001	REAR ANTI TIP ASSM 20" RIGHT	RIGHT-20" WHEELS
3,4D,5,6A	050173-001	REAR ANTI TIP ASSM 20" LEFT	LEFT-20" WHEELS
3,4A,5,6A	050172-002	REAR ANTI TIP ASSM 22" RIGHT	RIGHT-22" WHEELS
3,4A,5,6A	050173-002	REAR ANTI TIP ASSM 22" LEFT	LEFT-22" WHEELS

NOTE: Effective on GT chairs after S/N R3-012700 & R3A-012762.



Pos.	Item Number	Description	HCPC
1	301109	SNAP BUTTON DUAL ONE SIDE	
2	521736	MED ANTI-TIP TUBE BLK RH	RIGHT
2	521737	MED ANTI-TIP TUBE BLK LH	LEFT
3	301100	1/4" SNAP BUTTON SINGLE	
4	881512	ANTI-TIP SLV W/ WHLS BLK 4H	
5	226147	1/4 -28 x 1/85 BH C/S BLK ZN	
6	540187	ANTI-TIP RECEIVER XTR	
7	106935	NUT NYLOCK THIN 1/4 -28 ROHS	
8	481380	ANTI-TIP SPACER XTR	
5-8	880947	ANTI-TIP ASSM RETRO KIT	
1-8	881128	MED ANTI-TIP ASSM BLK RH	RIGHT
1-8	881129	MED ANTI-TIP ASSM BLK LH	LEFT
1-8	920009	ANTI-TIP REC ASSM XTR	PAIR





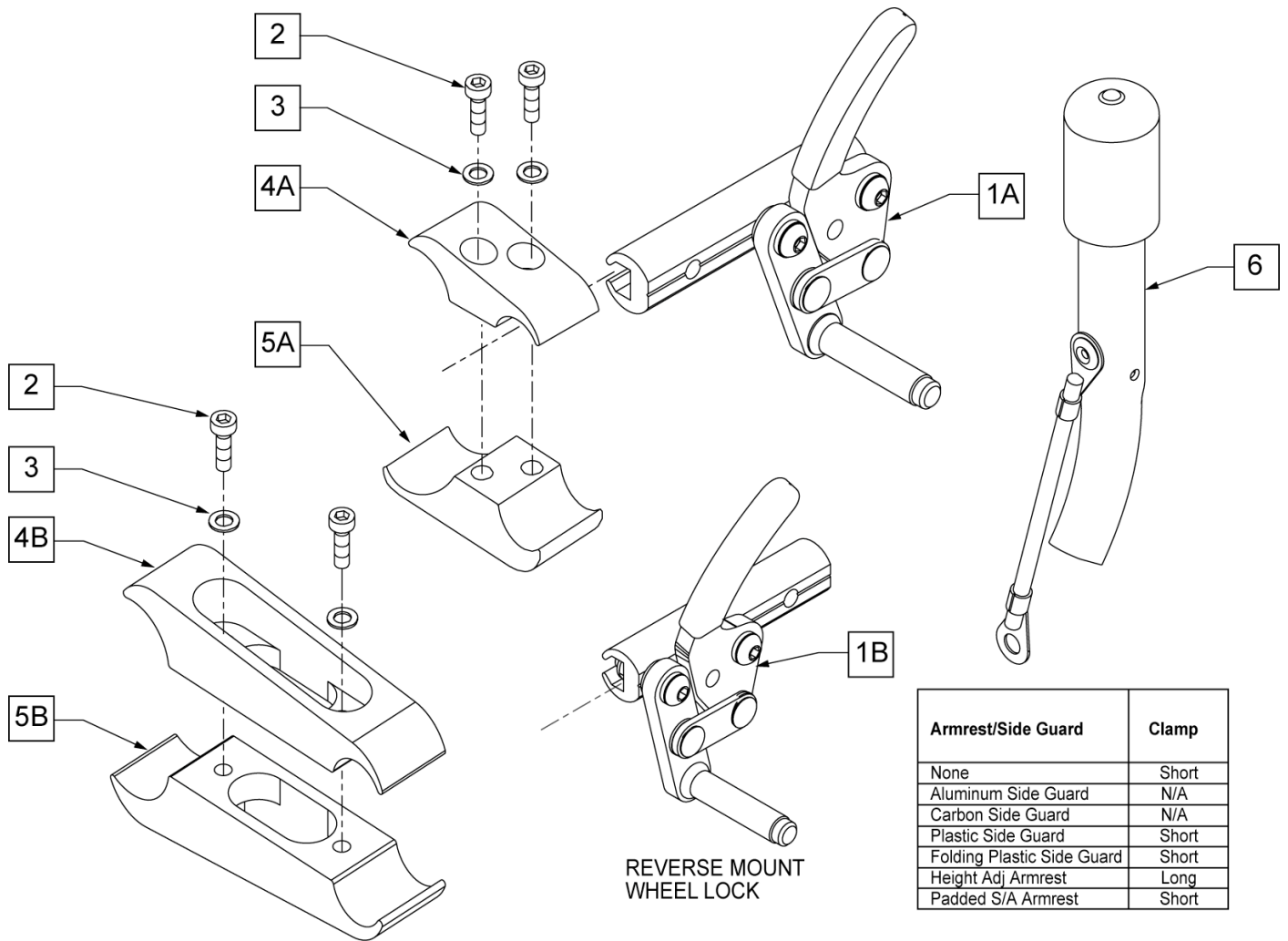
Pos.	Item Number	Description	Remarks
1	101977	RECEIVER ANTI TIP SWING AWAY	
2A	000 859 212	ANTI-TIP TUBE S/A CMLPT 20 -22"	20 & 22" Wheels
2B	000 859 202	ANTI-TIP TUBE S/A CMLPT 24 -26"	24" 25" & 26" Wheels
3	560735	7/8" ROUND TUBE PLUG	
4	102262-005	BHCS M6 x 1 x 30 INORGANIC	
5	200113	NUT HEX NYLON M6	
6	262130	6mm WASHER WAVE	
7	102260-001	SHCS M5 x .8 x 18 INORGANIC	
1,2A,3-7	103104-001	ASSY ANTI-TIP S/A 20-22	20&22" Wheels
1,2B,3-7	103104-002	ASSY ANTI-TIP S/A 24-26	24" 25" & 26" Wheels

# WHEEL LOCK (PUSH TO LOCK)

[07/2010]

**NOTE:** ATTACHMENT CLAMP mounts to 1 1/8" diameter tubing.

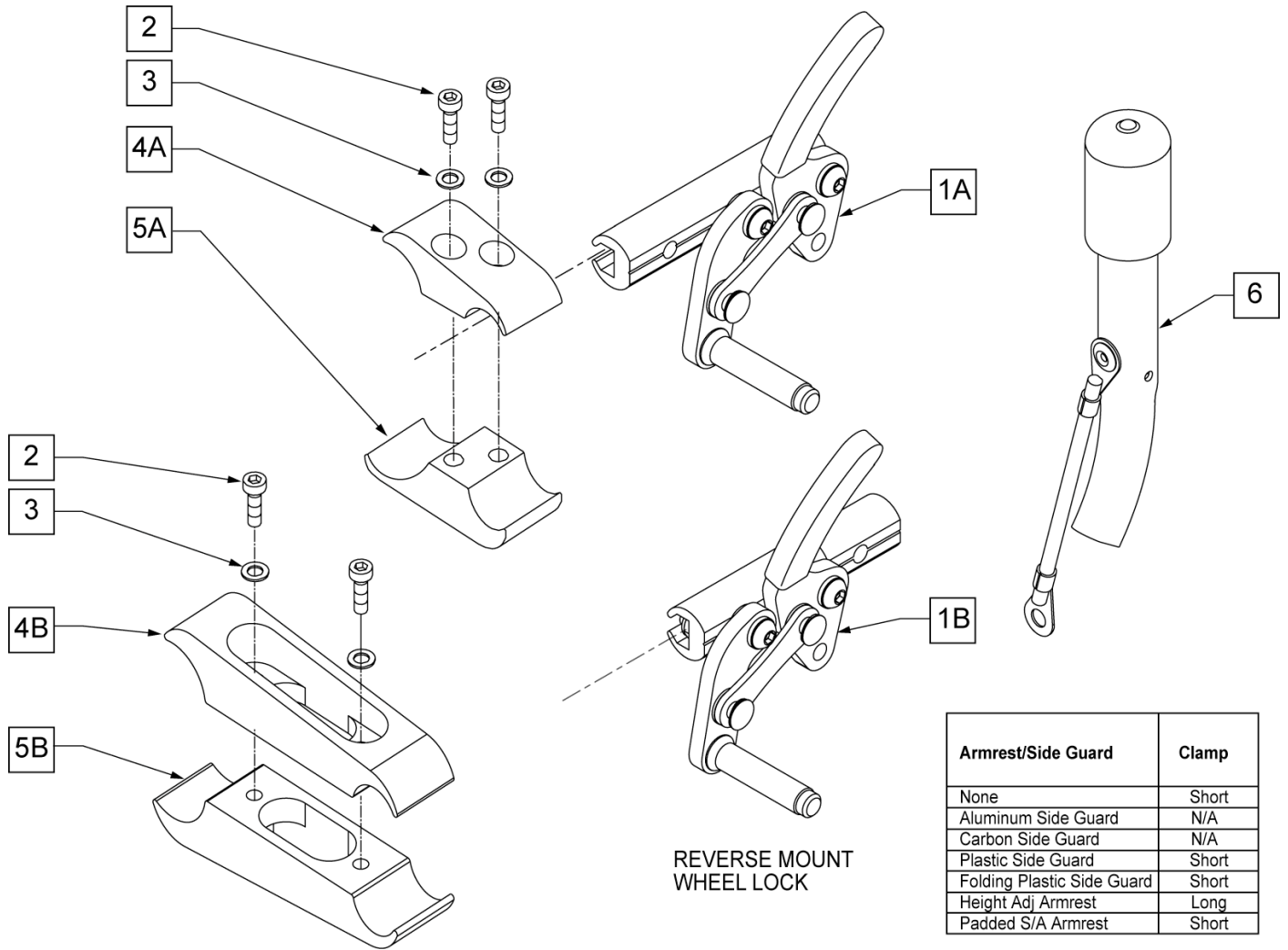
**NOTE:** If replacing WHEEL LOCK on GT Chairs w/ S/N Prefix R3A, or GTI Chairs w/ S/N Prefix TYA, or GTX Chairs; you may want to replace both sides as the handle has changed from STRAIGHT to CURVED.



Pos.	Item Number	Description	Remarks
1A	104216-001	WHEEL LOCK ASSEMBLY (PUSH) RIGHT	Right
1A	104216-002	WHEEL LOCK ASSEMBLY (PUSH) LEFT	Left
1B	109643	WHEEL LOCK HI PUSH REV R	Right
1B	109644	WHEEL LOCK HI PUSH REV L	Left
2	102263-002	SHCS M6 X 1 X 20	
3	050129-001	LOCKWASHER HIGH COLLAR M6	
6	104325	WHEEL LOCK EXTENSION HANDLE	
1A,6	107637	WHEEL LOCK ASSM (PUSH) R W/ EXT	Right
1A,6	107638	WHEEL LOCK ASSM (PUSH) L W/ EXT	Left
1B,6	112623	WHEEL LOCK HI PUSH REV R W/ EXT	Right
1B,6	112624	WHEEL LOCK HI PUSH REV L W/ EXT	Left
2-4A,5A	050229	WHEEL LOCK CLAMP ASSM BLK	SEE CLAMP MATRIX FOR CORRECT USAGE-SHORT
2-4B,5B	050230	WHEEL LOCK CLAMP LONG ASSM BLK	SEE CLAMP MATRIX FOR CORRECT USAGE-LONG

**NOTE:** ATTACHMENT CLAMP mounts to 1 1/8" diameter tubing.

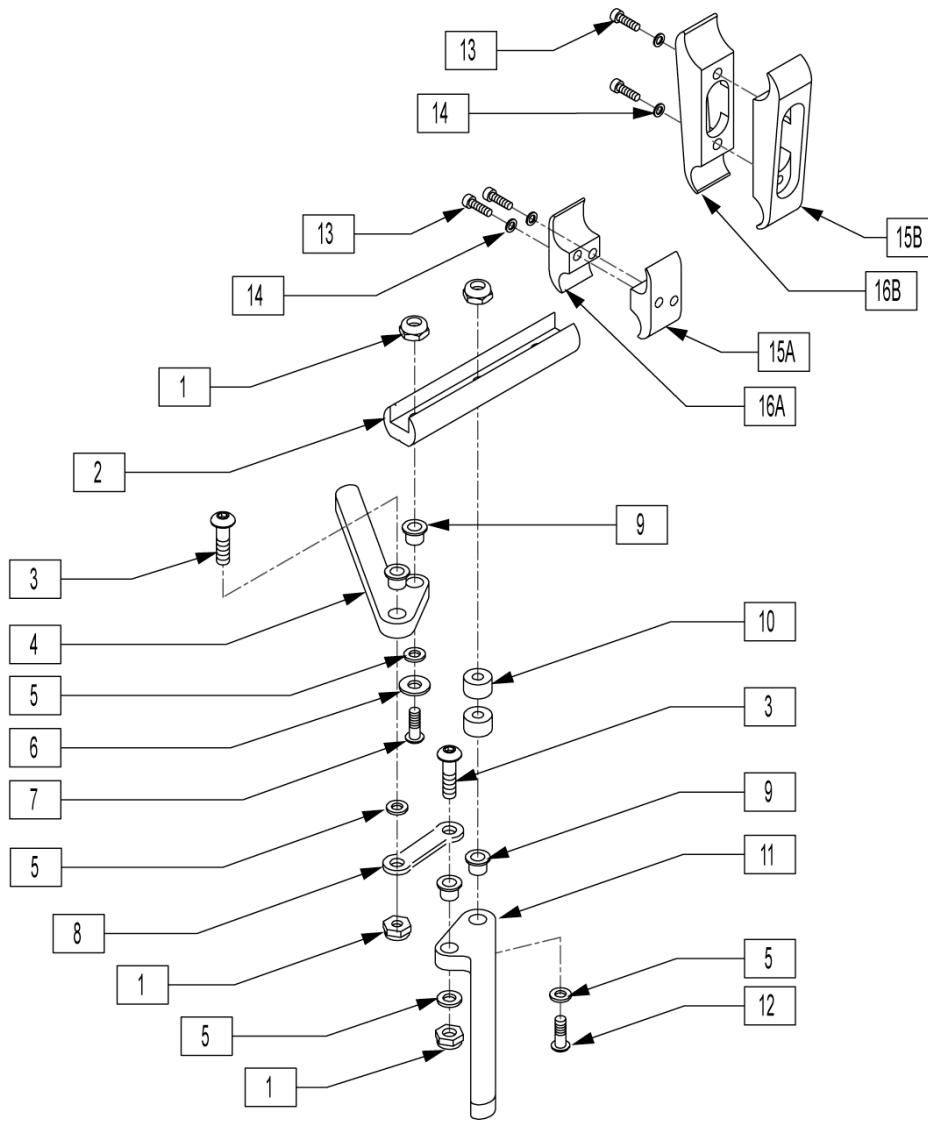
**NOTE:** If replacing WHEEL LOCK on GT Chairs w/ S/N Prefix R3A, or GTI Chairs w/ S/N Prefix TYA, or GTX Chairs; you may want to replace both sides as the handle has changed from STRAIGHT to CURVED.



Armrest/Side Guard	Clamp
None	Short
Aluminum Side Guard	N/A
Carbon Side Guard	N/A
Plastic Side Guard	Short
Folding Plastic Side Guard	Short
Height Adj Armrest	Long
Padded S/A Armrest	Short

Pos.	Item Number	Description	Remarks
1A	104227-001	WHEEL LOCK ASSEMBLY (PULL) RIGHT	Right
1A	104227-002	WHEEL LOCK ASSM (PULL) LEFT	Left
1B	109647	WHEEL LOCK HI PULL REV R	Right
1B	109648	WHEEL LOCK HI PULL REV L	Left
2	107032	SHCS 1/4-28 X 1 ROHS	
3	107367	1/4 WASHER HI COLLAR LOCK BLK	
6	104325	WHEEL LOCK EXTENSION HANDLE	
1A,6	107640	WHEEL LOCK ASSM (PULL) R W/ EXT	Right
1A,6	107641	WHEEL LOCK ASSM (PULL) L W/ EXT	Left
1B,6	112625	WHEEL LOCK HI PULL REV R W/ EXT	Right
1B,6	112626	WHEEL LOCK HI PULL REV L W/ EXT	Left
2-4A, 5A	050229	WHEEL LOCK CLAMP ASM BLK	SEE CLAMP MATRIX FOR CORRECT USAGE-SHORT
2-4B, 5B	050230	WHEEL LOCK CLAMP LONG ASSM BLK	SEE CLAMP MATRIX FOR CORRECT USAGE-LONG

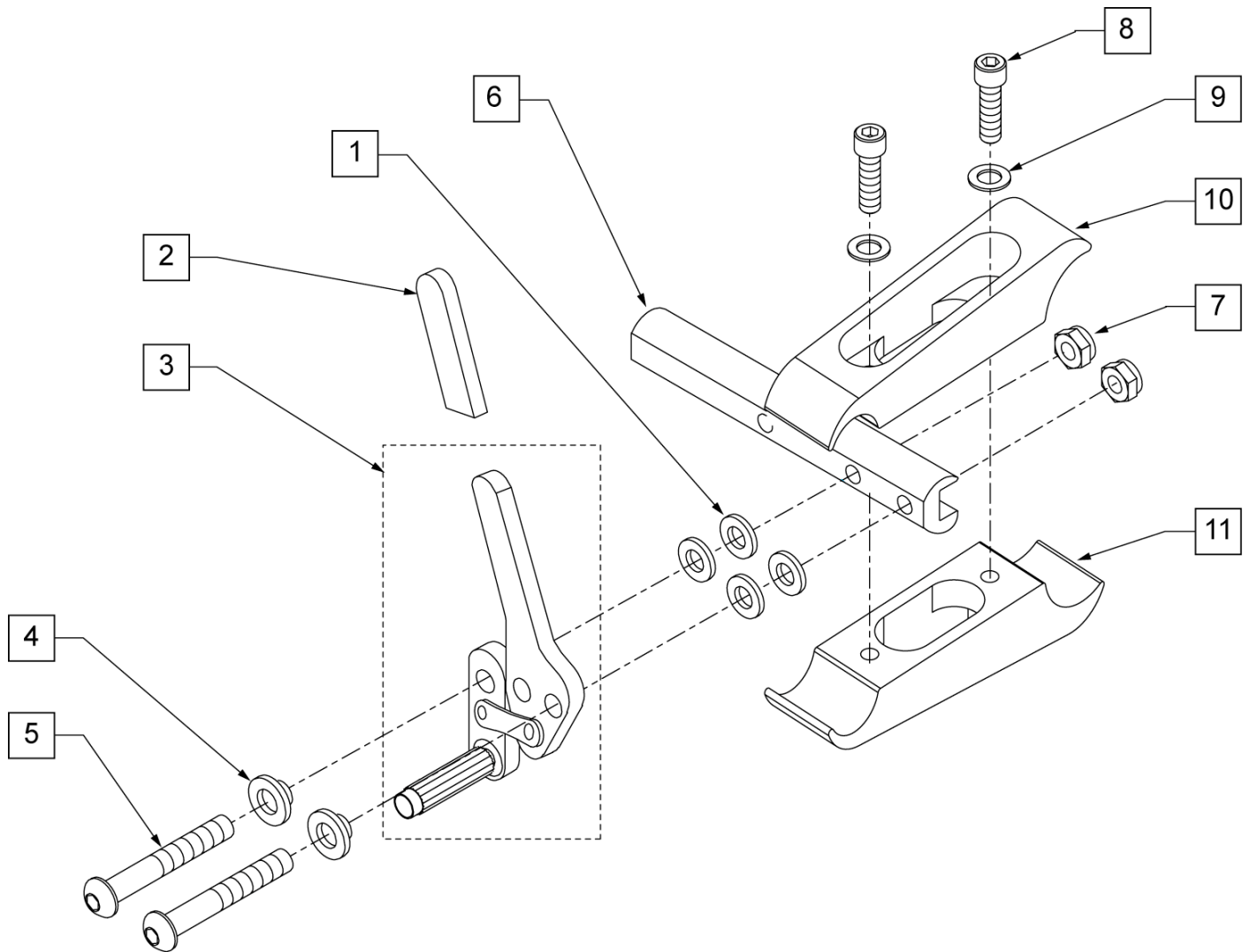
NOTE: Discontinued on GT chairs as of S/N R3-012700 & R3A-012765.



Pos.	Item Number	Description	Remarks
1	106935	NUT NYLOCK THIN 1/4-28 ROHS	
2	550374	WHL LCK SLIDE BLOCK 3 1/2" BLK	
3	226100	1/4-28 x 3/4 BH C/S	
4	550232	HI-MNT SCISSOR WHL LCK ARM BLK	
5	561028	1/4" NYLON WASHER	
6	262120	1/4" SAE WASHER	
7	226122	1/4-28 x 1.10 BH C/S	
8	504995	TOGGLE LINK 1.125	
9	560126	.250 ID .312 OD BUSHING PLST	
10	483027	1/4 x 1/4 ALUM SPACER BLK	
11	550231	HI-MNT SCSSOR WHL LOCK ARM LNG	
12	226130	1/4-28 x 1 1/2 BH C/S	
13	102263-002	SHCS M6 X 1 X 20 BLK	

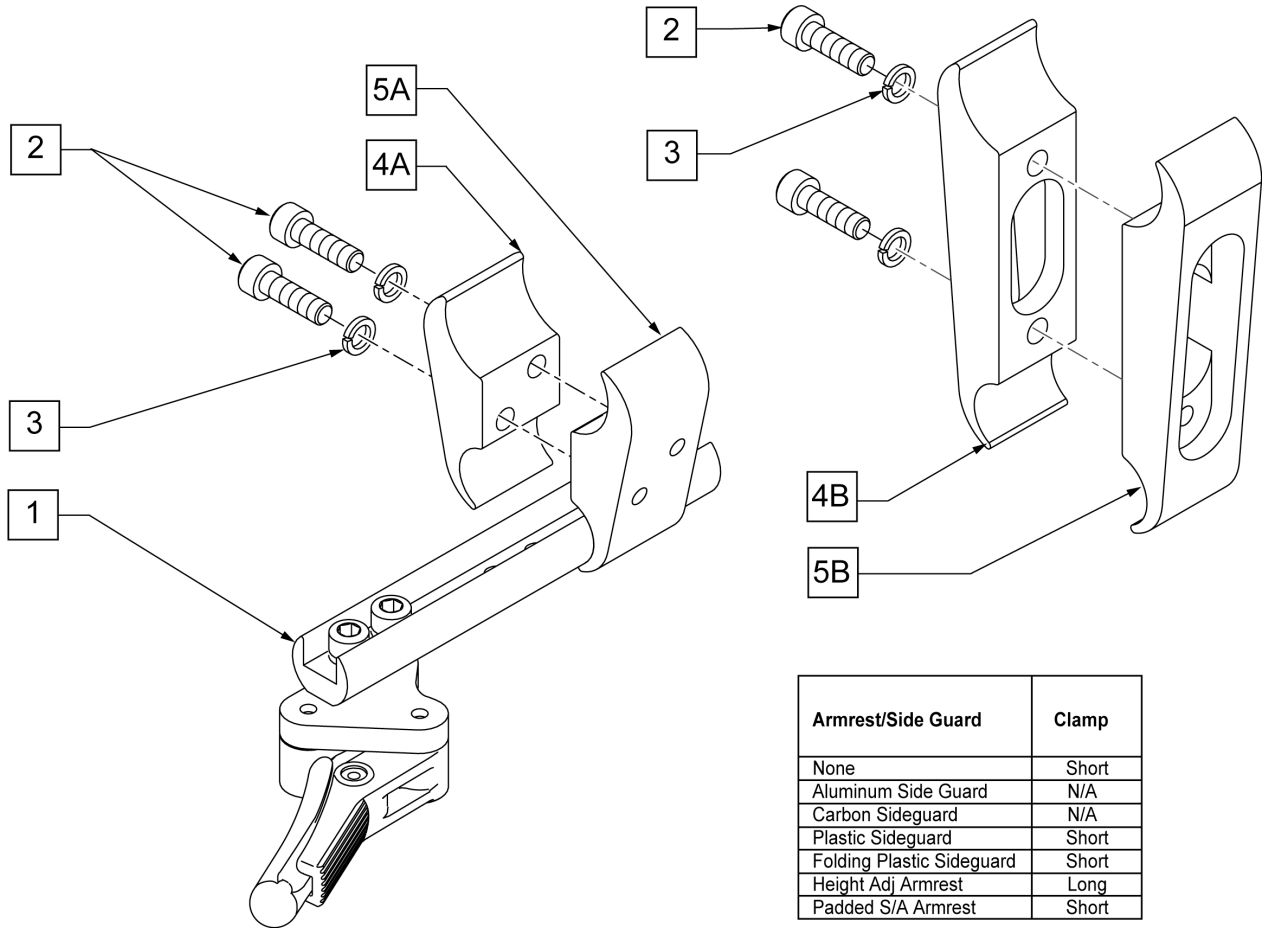
<b>Pos.</b>	<b>Item Number</b>	<b>Description</b>	<b>Remarks</b>
14	050129-001	LOCKWASHER HIGH COLLAR M6	
15A	050121	CLAMP WHL LCK FEMALE	
15B	050161	CLAMP WHL LCK LNG FEMALE	
16A	050120	CLAMP WHL LCK MALE	
16B	050160	CLAMP WHL LCK LNG MALE	
13,14,15A,16A	050229	WHEEL LOCK CLAMP ASSM BLK	
13,14,15B,16B	050230	WHEEL LOCK CLAMP LONG ASSM BLK	
1-12	881438	WHL LCK ASSM SCSSR HI MT T3	RIGHT
1-12	881439	WHL LCK ASSM SCSSR HI MT T3	LEFT

NOTE: Effective on GT chairs after S/N R3-012700 & R3A-012765.



Pos.	Item Number	Description
1	561028	1/4 NYLON WASHER
2	560500-QU	HB PLASTIC COVER
4	561026	.250 ID .312 OD BUSHING PLASTIC
5	226110	1/4 -28 x 1 BH C/S
6	550447	WHEEL LOCK SLIDE BLOCK LONG BLK
7	106935	NUT NYLOCK THIN 1/4-28 ROHS
8	102263-002	SHCS M6 x 1 x 20
9	050129-001	LOCKWASHER HIGH COLLAR M6
10	050160	CLAMP WHEEL LOCK LONG MALE
11	050161	CLAMP WHEEL LOCK LONG FEMALE
2,3	881748	WHEEL LOCK ASSM R PUSH
2,3	881749	WHEEL LOCK ASSM L PUSH

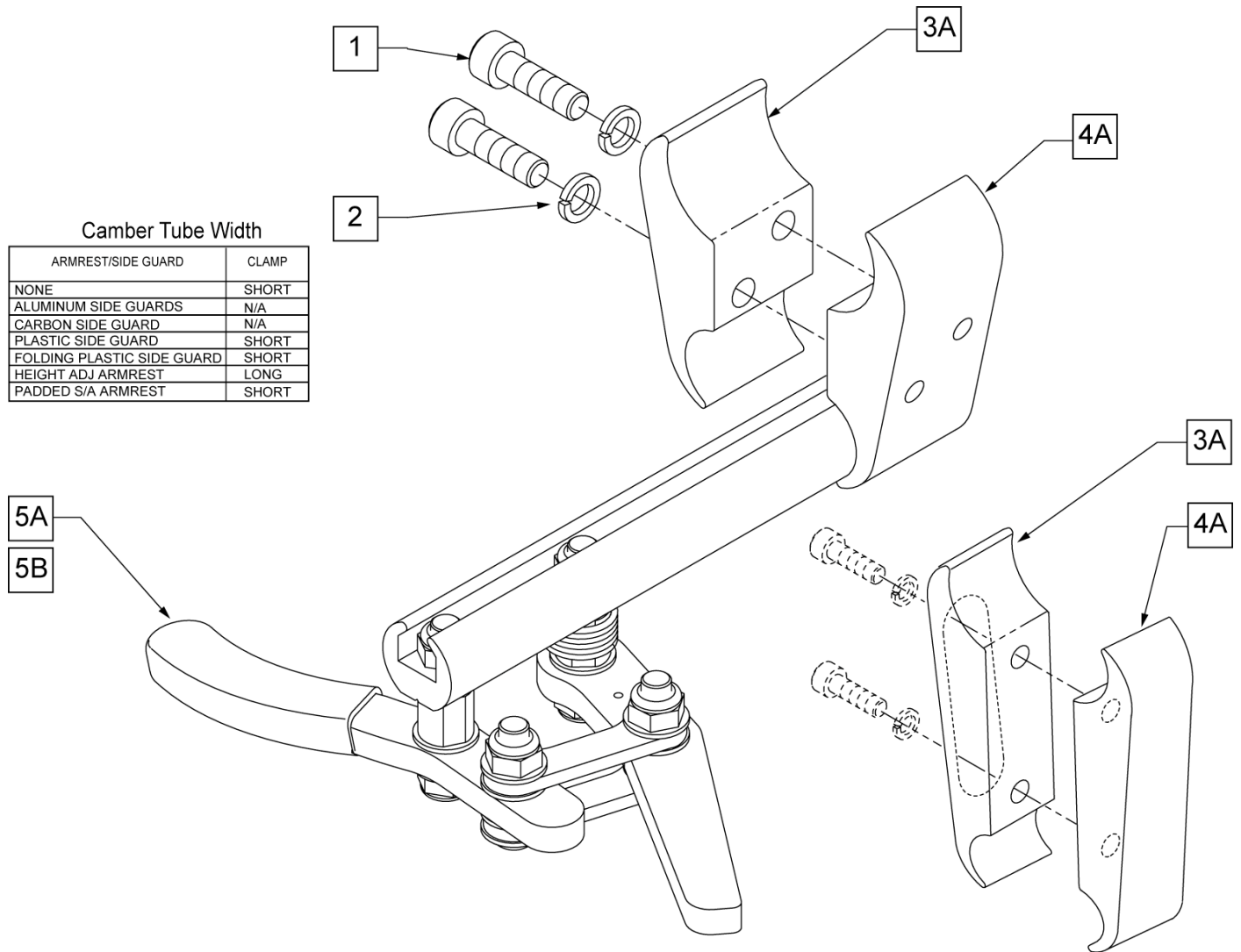




Pos.	Item Number	Description	Remarks
2	102263-002	SHCS M6 X 1 X 20 INORGANIC	
3	050129-001	LOCKWASHER HIGH COLLAR M6	
2-5A	050229	WHEEL LOCK CLAMP ASSM BLK	SHORT
2-5B	050230	WHEEL LOCK CLAMP LONG ASSM BLK	LONG
1	066608-001	CMPCT WHLLCK STD ASSY LEFT	
1	066608-002	CMPCT WHLLCK STD ASSY RIGHT	

**NOTE:** Attachment Clamp mounts to 1 1/8" diameter tubing.

**NOTE:** Attachment Clamp mounts to 1 1/8" diameter tubing.



Camber Tube Width

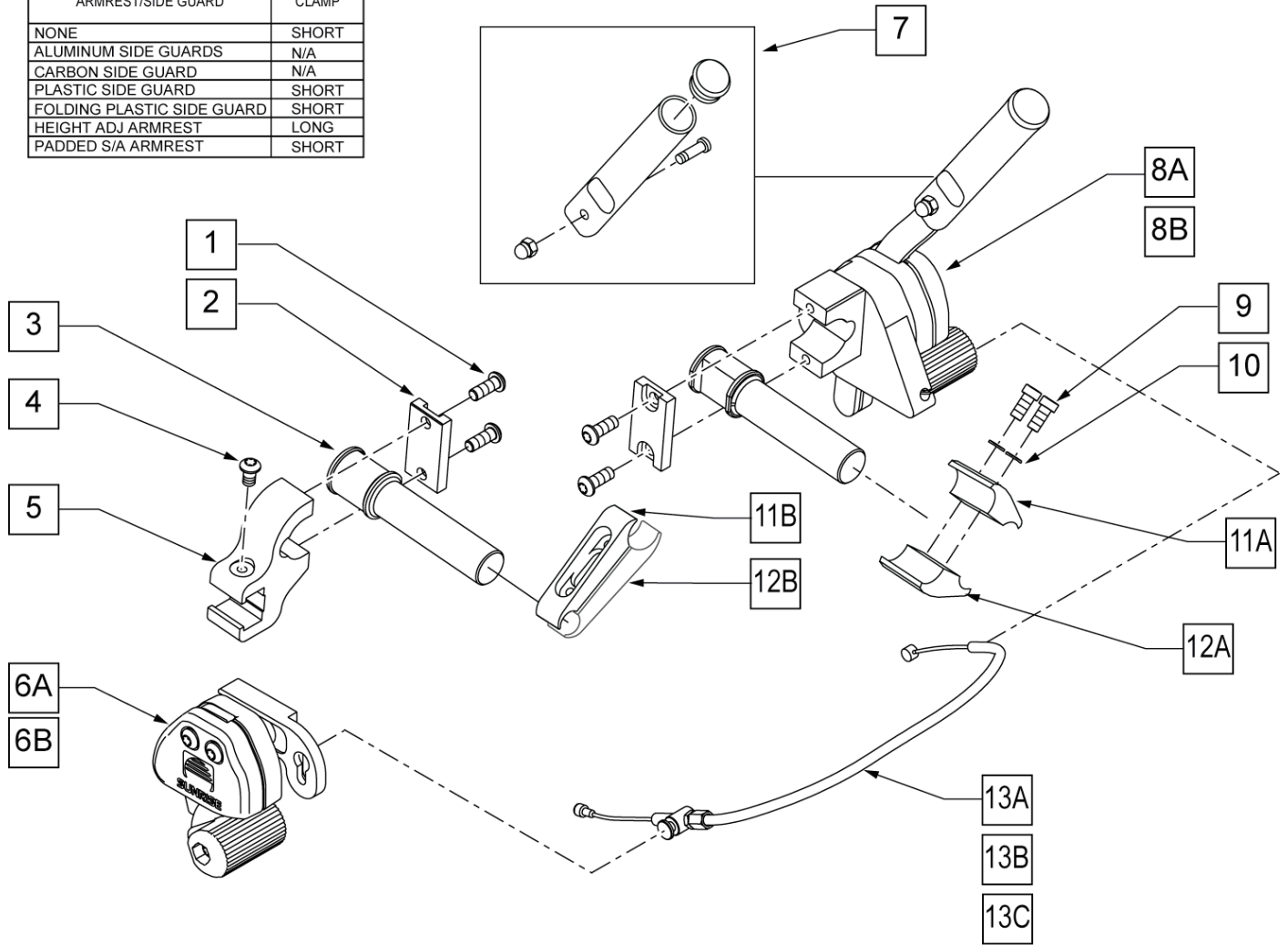
ARMREST/SIDE GUARD	CLAMP
NONE	SHORT
ALUMINUM SIDE GUARDS	N/A
CARBON SIDE GUARD	N/A
PLASTIC SIDE GUARD	SHORT
FOLDING PLASTIC SIDE GUARD	SHORT
HEIGHT ADJ ARMREST	LONG
PADDED S/A ARMREST	SHORT

Pos.	Item Number	Description	Remarks
1	102263-002	SHCS M6 X 1 X 20 INORGANIC	
2	050129-001	LOCKWASHER HIGH COLLAR M6	
3A	050120	CLAMP WHL LCK MALE	
3B	050160	CLAMP WHL LCK LONG MALE	
4A	050121	CLAMP WHL LCK FEMALE	
4B	050161	CLAMP WHL LCK LONG FEMALE	
5A	050152-001	ASSM WHEEL LOCK SCISSOR STD R	RIGHT - STANDARD
5B	050153-001	ASSM WHEEL LOCK SCISSOR STD L	LEFT - STANDARD
1-2,3A,4A	050229	WHEEL LOCK CLAMP ASSM BLK	SHORT
1-2,3B,4B	050230	WHEEL LOCK CLAMP LONG ASSM BLK	LONG

NOTE: Attachment Clamp mounts to 1 1/8" diameter tubing.

Camber Tube Width

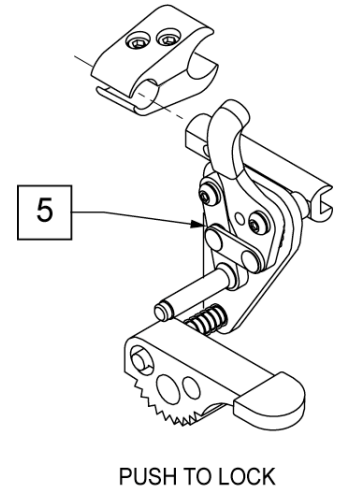
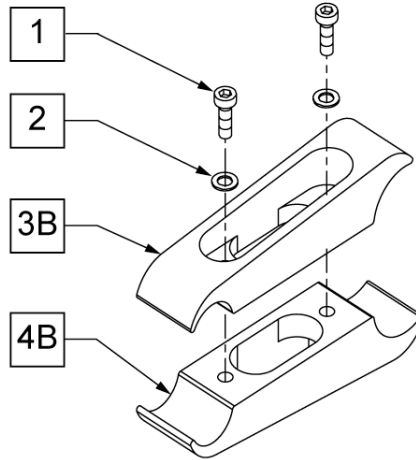
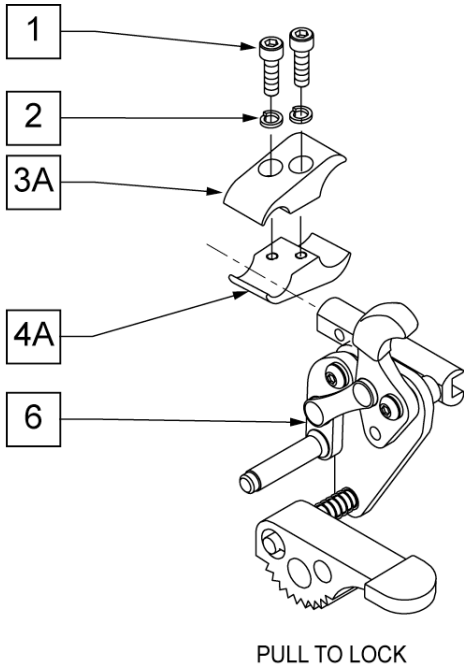
ARMREST/SIDE GUARD	CLAMP
NONE	SHORT
ALUMINUM SIDE GUARDS	N/A
CARBON SIDE GUARD	N/A
PLASTIC SIDE GUARD	SHORT
FOLDING PLASTIC SIDE GUARD	SHORT
HEIGHT ADJ ARMREST	LONG
PADDED S/A ARMREST	SHORT



Pos.	Item Number	Description	Remarks
1	230032	M6 x 16 B/H CAP SCREW	
2	501032	CLAMP CAP	
3	501031	WHEEL LOCK EXTENSION	
4	102262-002	BHCS M6 X 1 X 10 W/PL INORG	
5	501033	REMOTE LOCK CLAMP	
7	883300	1-HAND WHLLCK RLCMNT HNDL KIT	4 7/8" LONG
9	102263-002	1/4-28 x 1 SOC C/S BLK	
10	050129-001	1/4 WASHER HI COLLAR	
13A	341760	WHEEL LOCK CABLE SHORT	12 -14" WIDE CHAIRS
13B	341761	WHEEL LOCK CABLE MEDIUM	15 -17" WIDE CHAIRS
13C	341762	WHEEL LOCK CABLE LONG	18 -20" WIDE CHAIRS
9-11A,12A	050229	WHEEL LOCK CLAMP ASSM BLK	SHORT
9-11B,12B	050230	WHEEL LOCK CLAMP LONG ASSM BLK	LONG
1-3,8A	882123	HND LOCK SUB-ASSM RIGHT	SHOWN

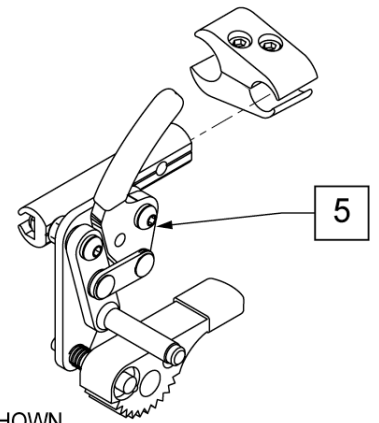
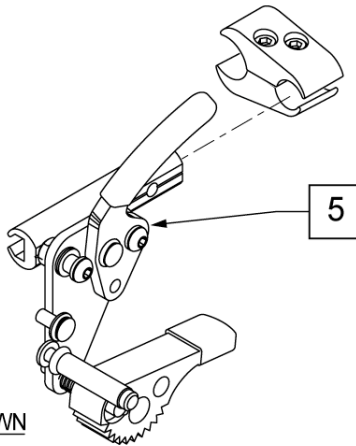
<b>Pos.</b>	<b>Item Number</b>	<b>Description</b>	<b>Remarks</b>
1-3,8B	882121	HND LOCK SUB-ASSM LEFT	
1-6A	882124	RMT LOCK SUB-ASSM RIGHT	SHOWN
1-6B	882122	RMT LOCK SUB-ASSM LEFT	
1-6A,8A,13A	102110-001	UNILATERAL PUSH ASSY R SHORT	12 -14" WIDE CHAIRS
1-6A,8A,13B	102110-002	UNILATERAL PUSH ASSY R MED	15 -17" WIDE CHAIRS
1-6A,8A,13C	102110-003	UNILATERAL PUSH ASSY R LONG	18 -20" WIDE CHAIRS
1-6B,8B,13A	102111-001	UNILATERAL PUSH ASSY L SHORT	12 -14" WIDE CHAIRS
1-6B,8B,13B	102111-002	UNILATERAL PUSH ASSY L MED	15 -17" WIDE CHAIRS
1-6B,8B,13C	102111-003	UNILATERAL PUSH ASSY L LONG	18 -20" WIDE CHAIRS

**NOTE:** Refer to "WHEEL LOCK AVAILABILITY" Page for possible mount locations.



**Camber Tube Width**

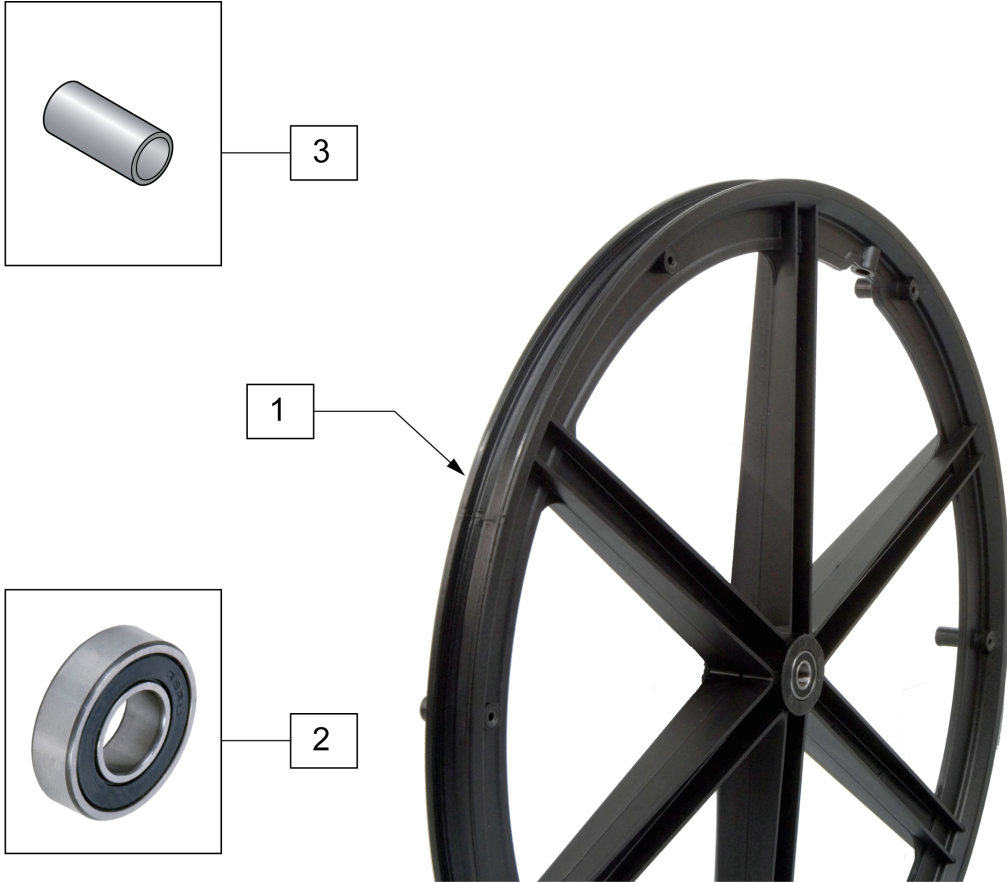
ARMREST/SIDE GUARD	CLAMP
NONE	SHORT
ALUMINUM SIDE GUARDS	N/A
CARBON SIDE GUARD	N/A
PLASTIC SIDE GUARD	SHORT
FOLDING PLASTIC SIDE GUARD	SHORT
HEIGHT ADJ ARMREST	LONG
PADDED S/A ARMREST	SHORT



Pos.	Item Number	Description	Remarks
1	107032	SHCS 1/4-28 X 1 ROHS	
2	107367	1/4 WASHER HI COLLAR LOCK BLK	
5	107665	WHEEL LOCK PUSH GRADE AID L	LEFT (Push)
5	107666	WHEEL LOCK PUSH GRADE AID R	RIGHT (Push)
6	107667	WHEEL LOCK PULL GRADE AID L	LEFT (Pull)
6	107668	WHEEL LOCK PULL GRADE AID R	RIGHT (Pull)
1-3A,4A	050229	WHEEL LOCK CLAMP ASSM BLK	
1-3B,4A	050230	WHEEL LOCK CLAMP LONG ASSM BLK	

**NOTE:** THIS WHEEL UTILIZES SCREW MOUNT HANDRIMS - THE HANDRIM HAS A THREADED HOLE THAT MOUNTS THE HANDRIM TO THE WHEEL THROUGH A SPACER AND FASTNER.

**NOTE:** IF MAG WHEEL ASSEMBLY WAS ORDER WITH OUT HANDRIM AND A HANDRIM IS ADDED TO THE WHEEL QTY 6 OF 561037 AND 281175 MUST BE ORDERED TO PROPERLY MOUNT THE HANDRIM.



Pos.	Item Number	Description	Remarks
1-3	401094	20" MAG W/BRNG 6 SPOKE	20"
1-3	401093	22" MAG W/BRNG 6 SPOKE	22"(501mm)
1-3	401092	24" MAG W/BRNG 6 SPOKE	24"(540mm)
2	349500	1 1/8 X 1/2 BEARING	
3	521564	MAG BEARING SPACER	

**NOTE:** THIS WHEEL UTILIZES SCREW MOUNT HANDRIMS - THE HANDRIM HAS A THREADED HOLE THAT MOUNTS THE HANDRIM TO THE WHEEL THROUGH A SPACER AND FASTNER.



Pos.	Item Number	Description	Remarks
1A	116178	WHEEL ASSY MBL 20"	20" (451)
1B	116179	WHEEL ASSY MBL 22"	WHL RIM/SPOKE MBL 22 (501)
1C	116180	WHEEL ASSY MBL 24"	WHL RIM/SPOKE MBL 24 (540)
1D	116181	WHEEL ASSY MBL 25"	WHL RIM/SPOKE MBL 25 (559)
1E	116182	WHEEL ASSY MBL 26"	WHL RIM/SPOKE MBL 26 (590)
2	114097	1 1/8 X 1/2 BEARING	1 1/8 X 1/2 BEARING
3A	118100	MBL LT 20IN SPOKE RPLMNT KIT	Kit contains 6 inner and 6 outer spokes
3B	118101	MBL LT 22IN SPOKE RPLMNT KIT	Kit contains 6 inner and 6 outer spokes
3C	118102	MBL LT 24IN SPOKE RPLMNT KIT	Kit contains 6 inner and 6 outer spokes
3D	118103	MBL LT 25IN SPOKE RPLMNT KIT	Kit contains 6 inner and 6 outer spokes
3E	118104	MBL LT 26IN SPOKE RPLMNT KIT	Kit contains 6 inner and 6 outer spokes

**NOTE:** THIS WHEEL UTILIZES TAB MOUNT HANDRIMS - THE HANDRIM HAS A STRAIGHT TAB THAT MOUNTS TO THE WHEEL THROUGH THE RIM.



Pos.	Item Number	Description	Remarks
1A	112857	ULTRA LIGHTWEIGHT WHEEL 20"	20"
1B	112858	ULTRA LIGHT WHEEL 22"	22"(501mm)
1C	112859	ULTRA LIGHTWEIGHT WHEEL 24"	24"(540mm)
1D	112860	ULTRA LIGHTWEIGHT WHEEL 25"	25"(559mm)
2	349500	1 1/8 X 1/2 BEARING	
3A	118105	ULTRA LT 20IN SPOKE RPLMNT KIT	Kit contains 12 spokes
3B	118106	ULTRA LT 22IN SPOKE RPLMNT KIT	Kit contains 12 spokes
3C	118107	ULTRA LT 24IN SPOKE RPLMNT KIT	Kit contains 12 spokes
3D	118108	ULTRA LT 25IN SPOKE RPLMNT KIT	Kit contains 12 spokes



**NOTE:** THIS WHEEL UTILIZES TAB MOUNT HANDRIMS - THE HANDRIM HAS A STRAIGHT TAB THAT MOUNTS TO THE WHEEL THROUGH THE RIM.



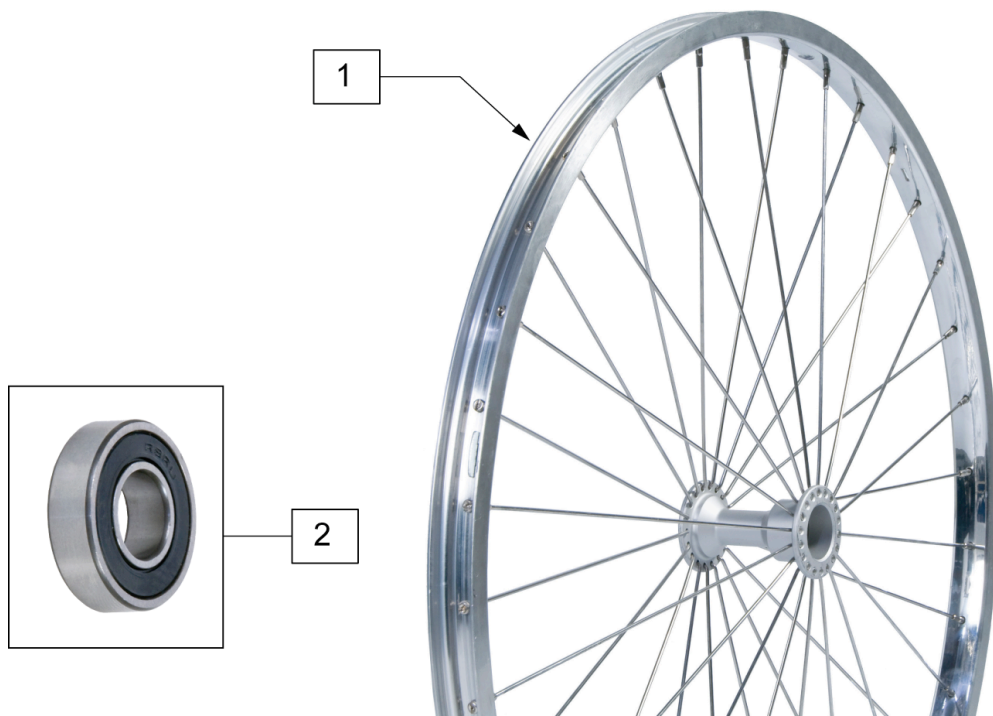
Pos.	Item Number	Description	Remarks
1	762438	SPINERGY STD WHEEL 540 BLK SPK	24"(540mm)
1	762441	SPINERGY STD WHL 559 BLK SPK	25"(559mm)
1	762437	SPINERGY STD WHEEL 590 BLK SPK	26"(590mm)
1	762442	SPINERGY STD WHEEL 540 BLUE	24"(540mm)
1	762444	SPINERGY STD WHEEL 559 BLU	25"(559mm)
1	762446	SPINERGY STD WHEEL 590 BLUE	26"(590mm)
1	762443	SPINERGY STD WHEEL 540 RED	24"(540mm)
1	762445	SPINERGY STD WHEEL 559 RED	25"(559mm)
1	762447	SPINERGY STD WHEEL 590 RED	26"(590mm)
1	762456	SPINERGY STD WHEEL 540 WHT	24"(540mm)
1	762463	SPINERGY STD WHL 559 WHT SPK	25"(559mm)
1	762467	SPINERGY STD WHEEL 590 WHT	26"(590mm)
1	762433	SPINERGY STD WHEEL 540 YELLOW	24"(540mm)
1	762462	SPINERGY STD WHL 559 YLW SPK	25"(559mm)
1	762431	SPINERGY STD WHEEL 590 YELLOW	26"(590mm)
2	349500	1 1/8 X 1/2 BEARING	

**NOTE:** THIS WHEEL UTILIZES TAB MOUNT HANDRIMS - THE HANDRIM HAS A STRAIGHT TAB THAT MOUNTS TO THE WHEEL THROUGH THE RIM.



Pos.	Item Number	Description	Remarks	Pos.	Item Number	Description	Remarks
1	101988-001	SPINRGY SPT LT EX WHL 540 BLK	24"(540mm)	1	101992-003	SPINRGY SPT LT EX WHL 590 RED	26"(590mm)
1	101989-001	SPINRGY LT EX WHEEL 540 BLK	24"(540mm)	1	101993-003	SPINRGY LT EX WHEEL 590 RED	26"(590mm)
1	101990-001	SPINRGY SPT LT EX WHL 559 BLK	25"(559mm)	1	101988-005	SPINRGY SPT LT EX WHL 540 WHT	24"(540mm)
1	101991-001	SPINRGY LT EX WHEEL 559 BLK	25"(559mm)	1	101989-005	SPINRGY LT EX WHEEL 540 WHT	24"(540mm)
1	101992-001	SPINRGY SPT LT EX WHL 590 BLK	26"(590mm)	1	101990-005	SPINRGY SPT LT EX WHL 559 WHT	25"(559mm)
1	101993-001	SPINRGY LT EX WHEEL 590 BLK	26"(590mm)	1	101991-005	SPINRGY LT EX WHEEL 559 WHT	25"(559mm)
1	101988-002	SPINRGY SPT LT EX WHL 540 BLU	24"(540mm)	1	101992-005	SPINRGY SPT LT EX WHL 590 WHT	26"(590mm)
1	101989-002	SPINRGY LT EX WHEEL 540 BLU	24"(540mm)	1	101993-005	SPINRGY LT EX WHEEL 590 WHT	26"(590mm)
1	101990-002	SPINRGY SPT LT EX WHL 559 BLU	25"(559mm)	1	101988-004	SPINRGY SPT LT EX WHL 540 YLW	24"(540mm)
1	101991-002	SPINRGY LT EX WHEEL 559 BLU	25"(559mm)	1	101989-004	SPINRGY LT EX WHEEL 540 YLW	24"(540mm)
1	101992-002	SPINRGY SPT LT EX WHL 590 BLU	26"(590mm)	1	101990-004	SPINRGY SPT LT EX WHL 559 YLW	25"(559mm)
1	101993-002	SPINRGY LT EX WHEEL 590 BLU	26"(590mm)	1	101991-004	SPINRGY LT EX WHEEL 559 YLW	25"(559mm)
1	101988-003	SPINRGY SPT LT EX WHL 540 RED	24"(540mm)	1	101992-004	SPINRGY SPT LT EX WHL 590 YLW	26"(590mm)
1	101989-003	SPINRGY LT EX WHEEL 540 RED	24"(540mm)	1	101993-004	SPINRGY LT EX WHEEL 590 YLW	26"(590mm)
1	101990-003	SPINRGY SPT LT EX WHL 559 RED	25"(559mm)	2	349500	1 1/8 X 1/2 BEARING	
1	101991-003	SPINRGY LT EX WHEEL 559 RED	25"(559mm)				

**NOTE:** THIS WHEEL UTILIZES SCREW MOUNT HANDRIMS - THE HANDRIM HAS A THREADED HOLE THAT MOUNTS THE HANDRIM TO THE WHEEL THROUGH A SPACER AND FASTNER.



Pos.	Item Number	Description	Remarks
1	401075	24 RIM ASSM X 1.5 SUN PSH BTTN	22" (507MM)
1	401076	24" HT RIM ASSM SUN PUSH BTTN	25" (559MM)
2	349500	1 1/8 X 1/2 BEARING	

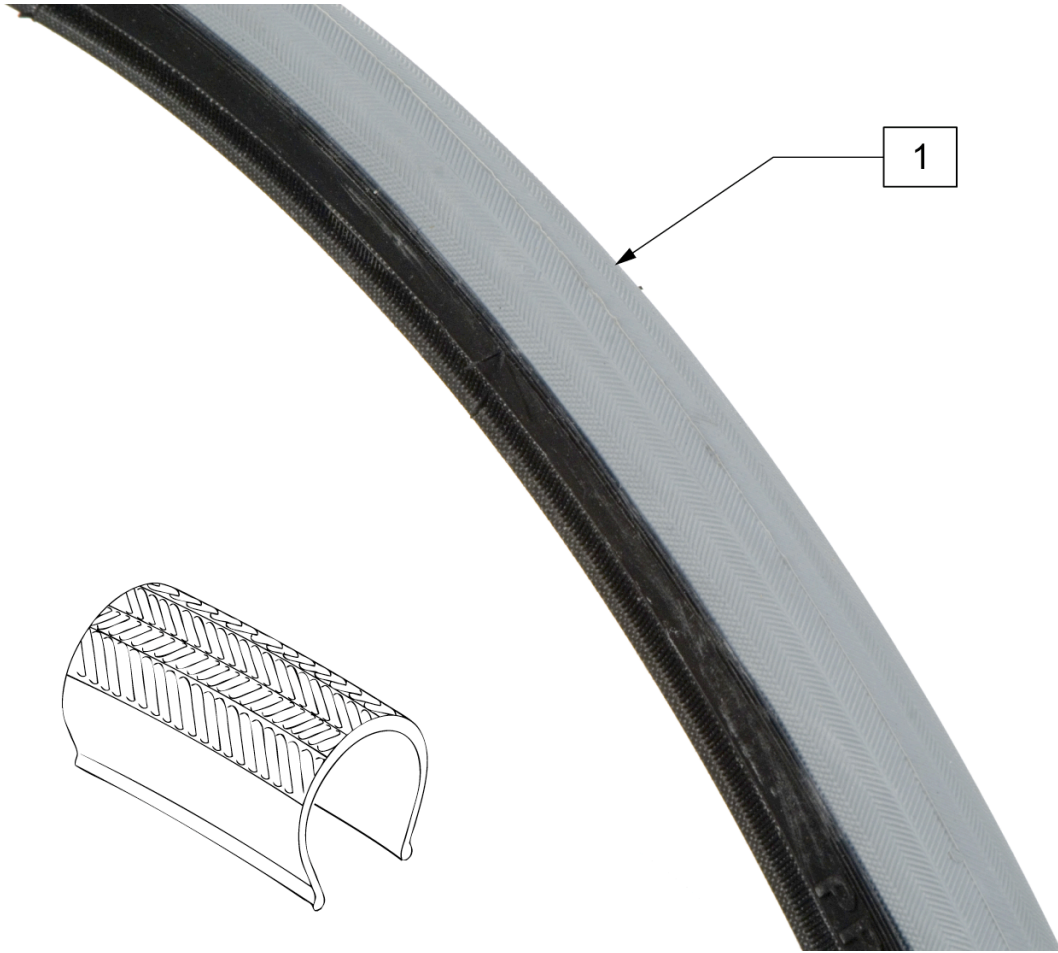


Pos.	Item Number	Description	Remarks
1	384706	TIRE PNEU 12-1/2" X 2-1/4"	12-1/2" X 2-1/4"
1	385225	TIRE PNEUMATIC 18"	18" x 1 3/8
1	385250	20" PNEUMATIC TIRE	20" x 1 3/8
1	385275	22" PNEUMATIC TIRE	22" x 1 3/8 (501mm)
1	385300	24" PNEUMATIC TIRE	24" x 1 3/8 (540mm)
1	385325	26" PNEUMATIC TIRE	26" x 1 3/8 (590mm)
1	384614	24" x 2.125 PNEUMATIC TIRE	24"x2 1/8 (540mm) used w/ M6

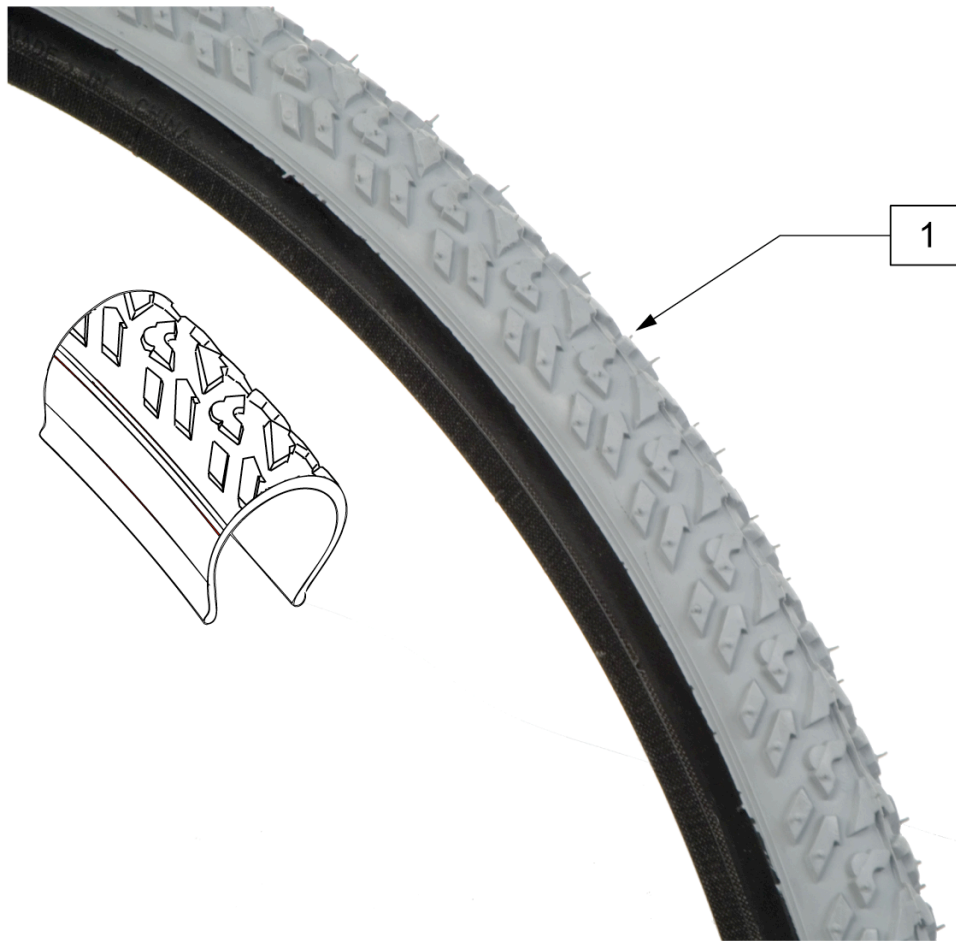


Pos.	Item Number	Description	Remarks
1	386232	20" POLY TIRE STD	20"
1	386242	22" POLY TIRE STD	22" (501mm)
1	386252	24" POLY TIRE STD	24" (540mm)





Pos.	Item Number	Description	Remarks
1	385280	22" x 1" HI PRES CLINCHER	22" (501mm)
1	389020	24" x 1" HI PRES CLNCHR TIRE	24" (540mm)
1	389012	QP 24" x 1" HT TURB BLK WR/BD 559	25" (559mm)
1	389030	26" x 1" HI PRES CLNCHR TIRE	26" (590mm)
1	105919	22" x 1" HI PRESS CLNCHR ULTRALIGHT	22" (489mm)

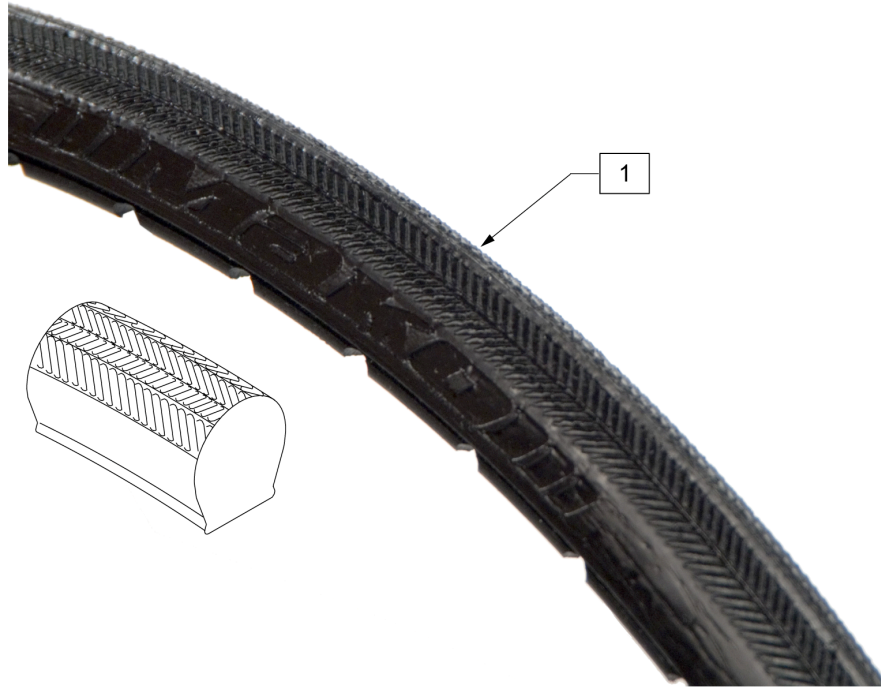


Pos.	Item Number	Description	Remarks
1	109211	TIRE 24 V TRAK KNOBBY GRY/GRY	24"(540mm)



Pos.	Item Number	Description	Remarks
1	102066-004	TIRE SCHWALBE MP 489 BLK	22" (489mm)
1	102066-001	TIRE SCHWBL MPE 540 BLK	24" (540mm)
1	102066-002	TIRE SCHWBL MPE 559 BLK	25" (559mm)
1	102066-003	TIRE SCHWBL MPE 590 BLK	26" (590mm)



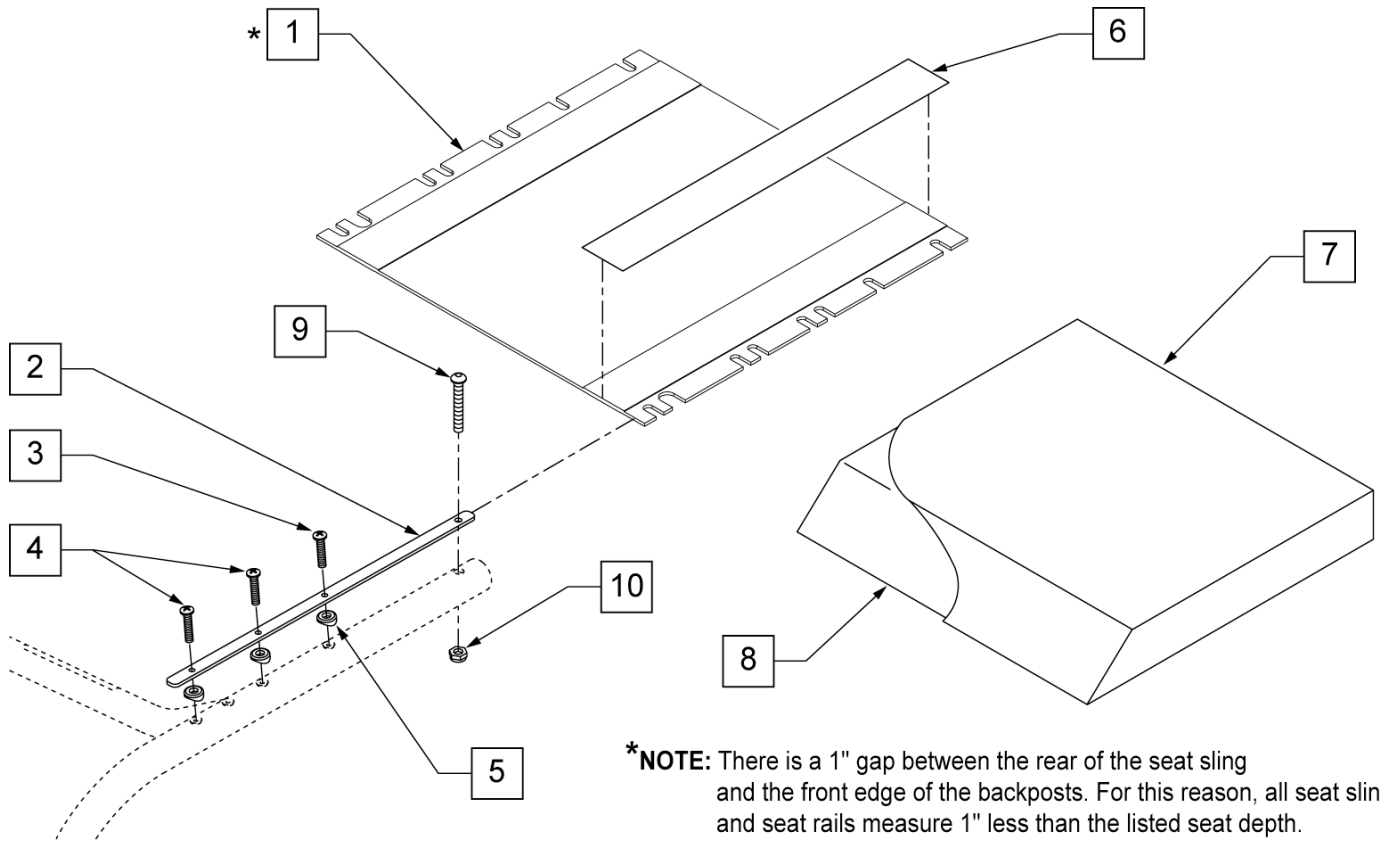


Pos.	Item Number	Description	Remarks
1	102060-001	TIRE KIK MAKO MAG SUN 540 BLK	24"(540mm) Black
1	102060-002	TIRE KIK MAKO MAG SUN 540 YLW	24"(540mm) Yellow
1	102060-003	TIRE KIK MAKO MAG SUN 540 RED	24"(540mm) Red
1	102060-004	TIRE KIK MAKO MAG SUN 540 BLU	24"(540mm) Blue
1	102060-005	TIRE KIK MAKO MAG SUN 540 DKG	24"(540mm) Dark Grey
1	102061-001	TIRE KIK MAKO SPIN 559 BLK	25"(559mm) Black
1	102061-002	TIRE KIK MAKO SPIN 559 YLW	25"(559mm) Yellow
1	102061-003	TIRE KIK MAKO SPIN 559 RED	25"(559mm) Red
1	102061-004	TIRE KIK MAKO SPIN 559 BLU	25"(559mm) Blue
1	102061-005	TIRE KIK MAKO SPIN 559 DKGRPH	25"(559mm) Dark Grey



Pos.	Item Number	Description	Remarks
1	384604	TIRE CS 24 X 2.1 SMOKER 507MM	22"(501mm)
1	384606	TIRE CS 26 X 2.1 SMOKER 559MM	25"(559mm)

NOTE: FOR CHAIRS PRIOR TO R3-012700 & T4-505900 THE SEAT SLING WILL HAVE LESS SLOTS. WHEN REPLACING THE SLING THE NEW STYLE SLING SHOWN BELOW WILL BE A DIRECT REPLACEMENT.



\*NOTE: There is a 1" gap between the rear of the seat sling and the front edge of the backposts. For this reason, all seat slings and seat rails measure 1" less than the listed seat depth.

Pos.	Item Number	Description	Remarks
1	109466	SEAT SLING 12"W X 11"D	FOR 12" x 12"
1	109467	SEAT SLING 12"W X 12"D	FOR 12" x 13"
1	109468	SEAT SLING 12"W X 13"D	FOR 12" x 14"
1	109469	SEAT SLING 12"W X 14"D	FOR 12" x 15"
1	109470	SEAT SLING 12"W X 15"D	FOR 12" x 16"
1	109471	SEAT SLING 12"W X 16"D	FOR 12" x 17"
1	109472	SEAT SLING 12"W X 17"D	FOR 12" x 18"
1	109473	SEAT SLING 12"W X 18"D	FOR 12" x 19"
1	109474	SEAT SLING 13"W X 11"D	FOR 13" x 12"
1	109475	SEAT SLING 13"W X 12"D	FOR 13" x 13"
1	109476	SEAT SLING 13"W X 13"D	FOR 13" x 14"
1	109477	SEAT SLING 13"W X 14"D	FOR 13" x 15"
1	109478	SEAT SLING 13"W X 15"D	FOR 13" x 16"
1	109479	SEAT SLING 13"W X 16"D	FOR 13" x 17"
1	109480	SEAT SLING 13"W X 17"D	FOR 13" x 18"
1	109481	SEAT SLING 13"W X 18"D	FOR 13" x 19"
1	109482	SEAT SLING 14"W X 11"D	FOR 14" x 12"
1	109483	SEAT SLING 14"W X 12"D	FOR 14" x 13"
1	109484	SEAT SLING 14"W X 13"D	FOR 14" x 14"
1	109485	SEAT SLING 14"W X 14"D	FOR 14" x 15"
1	109486	SEAT SLING 14"W X 15"D	FOR 14" x 16"

Pos.	Item Number	Description	Remarks
1	109487	SEAT SLING 14"W X 16"D	FOR 14" x 17"
1	109488	SEAT SLING 14"W X 17"D	FOR 14" x 18"
1	109489	SEAT SLING 14"W X 18"D	FOR 14" x 19"
1	109490	SEAT SLING 14"W X 19"D	FOR 14" x 20"
1	109491	SEAT SLING 15"W X 11"D	FOR 15" x 12"
1	109492	SEAT SLING 15"W X 12"D	FOR 15" x 13"
1	109493	SEAT SLING 15"W X 13"D	FOR 15" x 14"
1	109494	SEAT SLING 15"W X 14"D	FOR 15" x 15"
1	109495	SEAT SLING 15"W X 15"D	FOR 15" x 16"
1	109496	SEAT SLING 15"W X 16"D	FOR 15" x 17"
1	109497	SEAT SLING 15"W X 17"D	FOR 15" x 18"
1	109498	SEAT SLING 15"W X 18"D	FOR 15" x 19"
1	109499	SEAT SLING 15"W X 19"D	FOR 15" x 20"
1	109500	SEAT SLING 16"W X 11"D	FOR 16" x 12"
1	109501	SEAT SLING 16"W X 12"D	FOR 16" x 13"
1	109502	SEAT SLING 16"W X 13"D	FOR 16" x 14"
1	109503	SEAT SLING 16"W X 14"D	FOR 16" x 15"
1	109504	SEAT SLING 16"W X 15"D	FOR 16" x 16"
1	109505	SEAT SLING 16"W X 16"D	FOR 16" x 17"
1	109506	SEAT SLING 16"W X 17"D	FOR 16" x 18"
1	109507	SEAT SLING 16"W X 18"D	FOR 16" x 19"
1	109508	SEAT SLING 16"W X 19"D	FOR 16" x 20"
1	109509	SEAT SLING 17"W X 11"D	FOR 17" x 12"
1	109510	SEAT SLING 17"W X 12"D	FOR 17" x 13"
1	109511	SEAT SLING 17"W X 13"D	FOR 17" x 14"
1	109512	SEAT SLING 17"W X 14"D	FOR 17" x 15"
1	109513	SEAT SLING 17"W X 15"D	FOR 17" x 16"
1	109514	SEAT SLING 17"W X 16"D	FOR 17" x 17"
1	109515	SEAT SLING 17"W X 17"D	FOR 17" x 18"
1	109516	SEAT SLING 17"W X 18"D	FOR 17" x 19"
1	109517	SEAT SLING 17"W X 19"D	FOR 17" x 20"
1	109518	SEAT SLING 18"W X 11"D	FOR 18" x 12"
1	109519	SEAT SLING 18"W X 12"D	FOR 18" x 13"
1	109520	SEAT SLING 18"W X 13"D	FOR 18" x 14"
1	109521	SEAT SLING 18"W X 14"D	FOR 18" x 15"
1	109522	SEAT SLING 18"W X 15"D	FOR 18" x 16"
1	109523	SEAT SLING 18"W X 16"D	FOR 18" x 17"
1	109524	SEAT SLING 18"W X 17"D	FOR 18" x 18"
1	109525	SEAT SLING 18"W X 18"D	FOR 18" x 19"
1	109526	SEAT SLING 18"W X 19"D	FOR 18" x 20"
1	109527	SEAT SLING 19"W X 11"D	FOR 19" x 12"
1	109528	SEAT SLING 19"W X 12"D	FOR 19" x 13"
1	109529	SEAT SLING 19"W X 13"D	FOR 19" x 14"
1	109530	SEAT SLING 19"W X 14"D	FOR 19" x 15"
1	109531	SEAT SLING 19"W X 15"D	FOR 19" x 16"
1	109532	SEAT SLING 19"W X 16"D	FOR 19" x 17"
1	109533	SEAT SLING 19"W X 17"D	FOR 19" x 18"
1	109534	SEAT SLING 19"W X 18"D	FOR 19" x 19"
1	109535	SEAT SLING 19"W X 19"D	FOR 19" x 20"
1	109536	SEAT SLING 20"W X 11"D	FOR 20" x 12"
1	109537	SEAT SLING 20"W X 12"D	FOR 20" x 13"
1	109538	SEAT SLING 20"W X 13"D	FOR 20" x 14"
1	109539	SEAT SLING 20"W X 14"D	FOR 20" x 15"
1	109540	SEAT SLING 20"W X 15"D	FOR 20" x 16"
1	109541	SEAT SLING 20"W X 16"D	FOR 20" x 17"
1	109542	SEAT SLING 20"W X 17"D	FOR 20" x 18"
1	109543	SEAT SLING 20"W X 18"D	FOR 20" x 19"

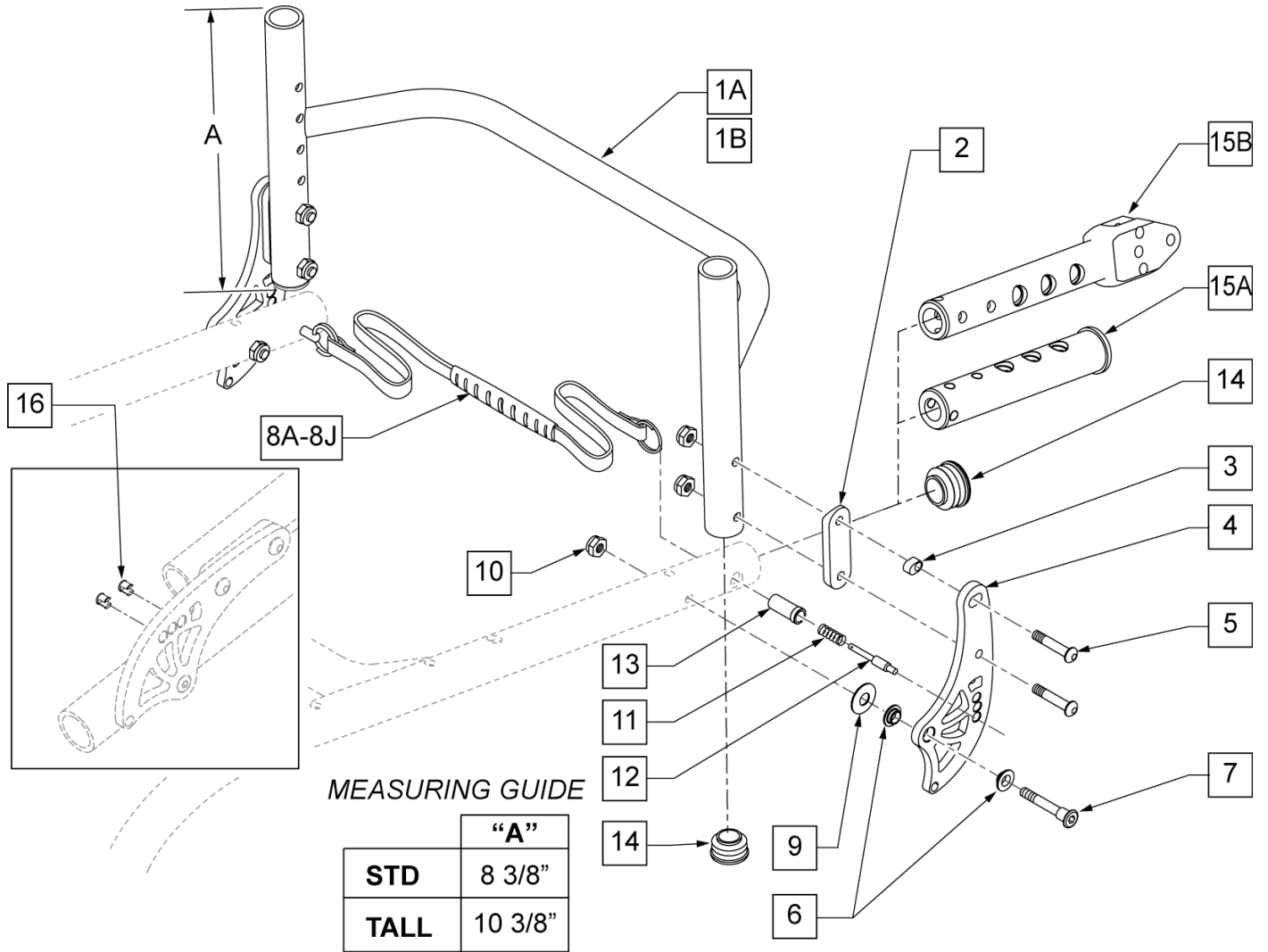
Pos.	Item Number	Description	Remarks
1	109544	SEAT SLING 20"W X 19"D	FOR 20" x 20"
2	109457	SEAT RAIL ALUM RIGID 11"	FOR 12" DEEP
2	109458	SEAT RAIL ALUM RIGID 12"	FOR 13" DEEP
2	109459	SEAT RAIL ALUM RIGID 13"	FOR 14" DEEP
2	109460	SEAT RAIL ALUM RIGID 14"	FOR 15" DEEP
2	109461	SEAT RAIL ALUM RIGID 15"	FOR 16" DEEP
2	109462	SEAT RAIL ALUM RIGID 16"	FOR 17" DEEP
2	109463	SEAT RAIL ALUM RIGID 17"	FOR 18" DEEP
2	109464	SEAT RAIL ALUM RIGID 18"	FOR 19" DEEP
2	109465	SEAT RAIL ALUM RIGID 19"	FOR 20" DEEP
3	102262-004	BHCS M6 X 1 X 25 W/PL INORG	
4	102259-002	BHCS M5 x .8 x 20 INORG	
5	482000	SADDLE SMALL 1.00 TUBE.25 HOLE	
6	901169	SEAT SLING VELCRO STRIP @ 2"	
9	102262-007	BHCS M6 x 1 x 45 INORG	
10	104381	NUT HEX NYLOCK M6 x 1.0 INORG	
7,8	700122	SEAT CUSHION 12" x 12" x 2"	
7,8	700132	SEAT CUSHION 12" x 13" x 2"	
7,8	700142	SEAT CUSHION 12" x 14" x 2"	
7,8	700152	SEAT CUSHION 12" x 15" x 2"	
7,8	700162	SEAT CUSHION 12" x 16" x 2"	
7,8	700172	SEAT CUSHION 12" x 17" x 2"	
7,8	700182	SEAT CUSHION 12" x 18" x 2"	
7,8	700192	SEAT CUSHION 12" x 19" x 2"	
7,8	700222	SEAT CUSHION 13" x 12" x 2"	
7,8	700232	SEAT CUSHION 13" x 13" x 2"	
7,8	700242	SEAT CUSHION 13" x 14" x 2"	
7,8	700252	SEAT CUSHION 13" x 15" x 2"	
7,8	700262	SEAT CUSHION 13" x 16" x 2"	
7,8	700272	SEAT CUSHION 13" x 17" x 2"	
7,8	700277	SEAT CUSHION 13" x 18" x 2"	
7,8	700267	SEAT CUSHION 13" x 19" x 2"	
7,8	700302	SEAT CUSHION 14" x 12" x 2"	
7,8	700312	SEAT CUSHION 14" x 13" x 2"	
7,8	700322	SEAT CUSHION 14" x 14" x 2"	
7,8	700332	SEAT CUSHION 14" x 15" x 2"	
7,8	700342	SEAT CUSHION 14" x 16" x 2"	
7,8	700352	SEAT CUSHION 14" x 17" x 2"	
7,8	700362	SEAT CUSHION 14" x 18" x 2"	
7,8	700372	SEAT CUSHION 14" x 19" x 2"	
7,8	700382	SEAT CUSHION 14" x 20" x 2"	
7,8	700402	SEAT CUSHION 15" x 12" x 2"	
7,8	700412	SEAT CUSHION 15" x 13" x 2"	
7,8	700422	SEAT CUSHION 15" x 14" x 2"	
7,8	700432	SEAT CUSHION 15" x 15" x 2"	
7,8	700442	SEAT CUSHION 15" x 16" x 2"	
7,8	700452	SEAT CUSHION 15" x 17" x 2"	
7,8	700462	SEAT CUSHION 15" x 18" x 2"	
7,8	700472	SEAT CUSHION 15" x 19" x 2"	
7,8	700502	SEAT CUSHION 16" x 12" x 2"	
7,8	700512	SEAT CUSHION 16" x 13" x 2"	
7,8	700522	SEAT CUSHION 16" x 14" x 2"	
7,8	700532	SEAT CUSHION 16" x 15" x 2"	
7,8	700542	SEAT CUSHION 16" x 16" x 2"	
7,8	700552	SEAT CUSHION 16" x 17" x 2"	
7,8	700562	SEAT CUSHION 16" x 18" x 2"	
7,8	700572	SEAT CUSHION 16" x 19" x 2"	

Pos.	Item Number	Description	Remarks
7,8	700582	SEAT CUSHION 16" x 20" x 2"	
7,8	700606	SEAT CUSHION 17" x 12" x 2"	
7,8	700597	SEAT CUSHION 17" x 13" x 2"	
7,8	700602	SEAT CUSHION 17" x 14" x 2"	
7,8	700612	SEAT CUSHION 17" x 15" x 2"	
7,8	700622	SEAT CUSHION 17" x 16" x 2"	
7,8	700632	SEAT CUSHION 17" x 17" x 2"	
7,8	700642	SEAT CUSHION 17" x 18" x 2"	
7,8	700652	SEAT CUSHION 17" x 19" x 2"	
7,8	700662	SEAT CUSHION 17" x 20" x 2"	
7,8	700682	SEAT CUSHION 18" x 12" x 2"	
7,8	700692	SEAT CUSHION 18" x 13" x 2"	
7,8	700702	SEAT CUSHION 18" x 14" x 2"	
7,8	700712	SEAT CUSHION 18" x 15" x 2"	
7,8	700722	SEAT CUSHION 18" x 16" x 2"	
7,8	700732	SEAT CUSHION 18" x 17" x 2"	
7,8	700742	SEAT CUSHION 18" x 18" x 2"	
7,8	700752	SEAT CUSHION 18" x 19" x 2"	
7,8	700762	SEAT CUSHION 18" x 20" x 2"	
7,8	700782	SEAT CUSHION 19" x 12" x 2"	
7,8	700792	SEAT CUSHION 19" x 13" x 2"	
7,8	700802	SEAT CUSHION 19" x 14" x 2"	
7,8	700812	SEAT CUSHION 19" x 15" x 2"	
7,8	700822	SEAT CUSHION 19" x 16" x 2"	
7,8	700832	SEAT CUSHION 19" x 17" x 2"	
7,8	700842	SEAT CUSHION 19" x 18" x 2"	
7,8	700852	SEAT CUSHION 19" x 19" x 2"	
7,8	700862	SEAT CUSHION 19" x 20" x 2"	
7,8	700882	SEAT CUSHION 20" x 12" x 2"	
7,8	700892	SEAT CUSHION 20" x 13" x 2"	
7,8	700902	SEAT CUSHION 20" x 14" x 2"	
7,8	700912	SEAT CUSHION 20" x 15" x 2"	
7,8	700922	SEAT CUSHION 20" x 16" x 2"	
7,8	700932	SEAT CUSHION 20" x 17" x 2"	
7,8	700942	SEAT CUSHION 20" x 18" x 2"	
7,8	700952	SEAT CUSHION 20" x 19" x 2"	
7,8	700962	SEAT CUSHION 20" x 20" x 2"	

**NOTE:** Effective on GT chairs built after S/N R3-012700 & R3A-012762.

**NOTE:** NEW FRAME IS REQUIRED IF DEPTH ADJUSTABLE BACK INSERTS ARE REQUESTED ON NON-DEPTH ADJUSTABLE BACK CHAIRS.

**NOTE:** New style Backrest Brackets and Frame (after S/N R3-012700 & R3A-012762) are not compatible with the old style Backrest Brackets and Frame .



Pos.	Item Number	Description	Remarks
1A	109303	FRM ALUM BKRST ADJ 12" STD	STANDARD - 12" WIDE
1A	109304	FRM ALUM BKRST ADJ 13" STD	STANDARD - 13" WIDE
1A	109305	FRM ALUM BKRST ADJ 14" STD	STANDARD - 14" WIDE
1A	109306	FRM ALUM BKRST ADJ 15" STD	STANDARD - 15" WIDE
1A	109307	FRM ALUM BKRST ADJ 16" STD	STANDARD - 16" WIDE
1A	109308	FRM ALUM BKRST ADJ 17" STD	STANDARD - 17" WIDE
1A	109309	FRM ALUM BKRST ADJ 18" STD	STANDARD - 18" WIDE
1A	109310	FRM ALUM BKRST ADJ 19" STD	STANDARD - 19" WIDE
1A	109311	FRM ALUM BKRST ADJ 20" STD	STANDARD - 20" WIDE
1B	109312	FRM ALUM BKRST ADJ 12" TALL	TALL - 12" WIDE
1B	109313	FRM ALUM BKRST ADJ 13" TALL	TALL - 13" WIDE
1B	109314	FRM ALUM BKRST ADJ 14" TALL	TALL - 14" WIDE

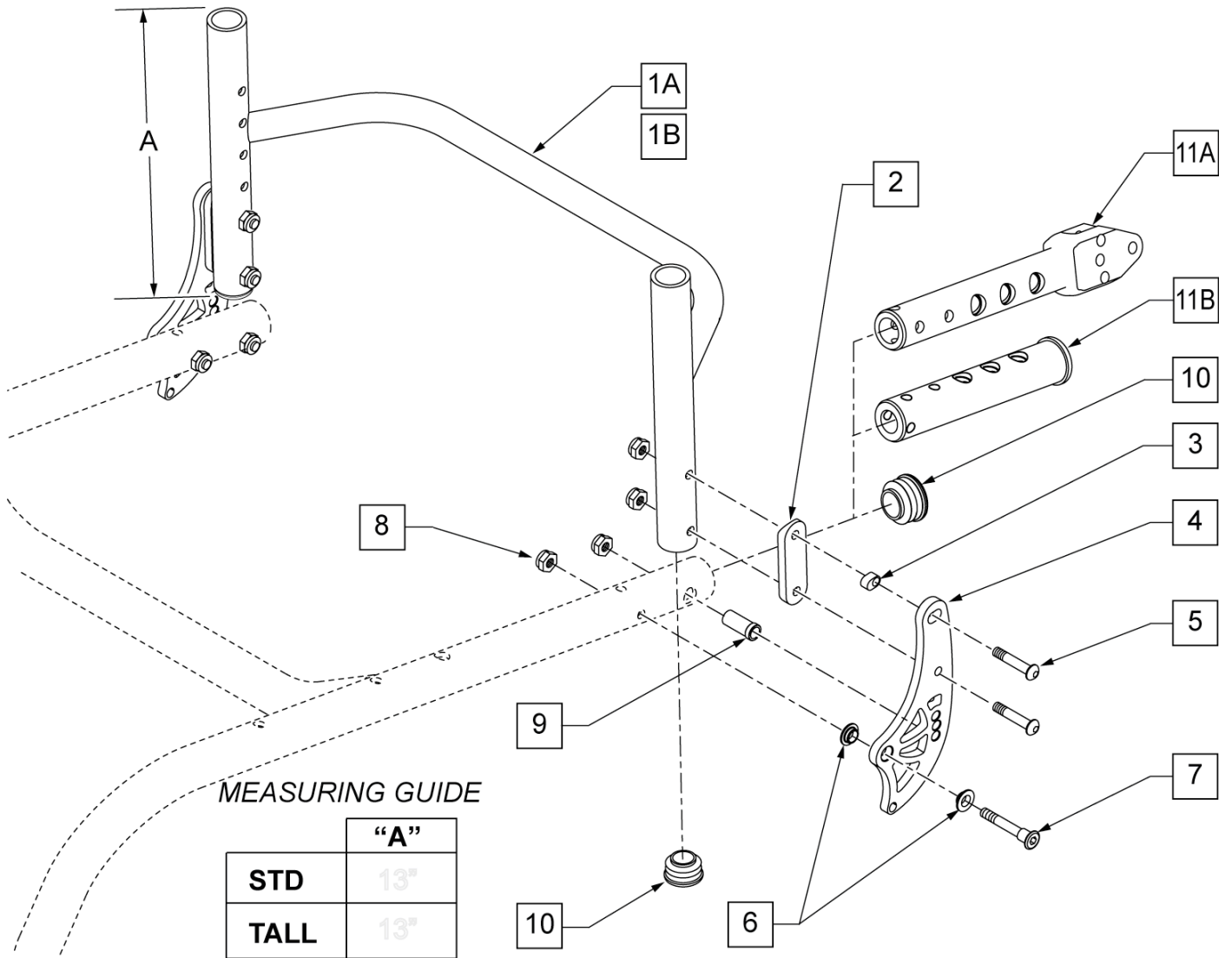
Pos.	Item Number	Description	Remarks
1B	109315	FRM ALUM BKRST ADJ 15" TALL	TALL - 15" WIDE
1B	109316	FRM ALUM BKRST ADJ 16" TALL	TALL - 16" WIDE
1B	109317	FRM ALUM BKRST ADJ 17" TALL	TALL - 17" WIDE
1B	109318	FRM ALUM BKRST ADJ 18" TALL	TALL - 18" WIDE
1B	109319	FRM ALUM BKRST ADJ 19" TALL	TALL - 19" WIDE
1B	109320	FRM ALUM BKRST ADJ 20" TALL	TALL - 20" WIDE
2	109199	SADDLE BACKREST TUBE	
3	109197	ADJUSTER BACKREST INSERT	
4	109196	BRACKET BACKREST DBL LOCK	
5	102262-007	BHCS M6 x 1 x 4 INORG	
6	109198	IGUS BEARING GFM-0810-04	
7	109204	PIVOT BOLT BACKREST	
8A	109765	LANYARD THERMO-PRESS 12"	12" W CHAIRS
8B	109766	LANYARD THERMO-PRESS 13"	13" W CHAIRS
8C	109767	LANYARD THERMO-PRESS 14"	14" W CHAIRS
8D	109768	LANYARD THERMO-PRESS 15"	15" W CHAIRS
8E	109769	LANYARD THERMO-PRESS 16"	16" W CHAIRS
8F	109770	LANYARD THERMO-PRESS 17"	17" W CHAIRS
8G	109771	LANYARD THERMO-PRESS 18"	18" W CHAIRS
8H	109772	LANYARD THERMO-PRESS 19"	19" W CHAIRS
8J	109773	LANYARD THERMO-PRESS 20"	20" W CHAIRS
9	010963	SPRING BELLEVILLE 8mm	
10	104381	NUT HEX NYLOCK M6 x 1.0 INORG	
11	109202	PIN SPRING BACKREST ADJ	
12	109200	PIN BACKREST ADJUST	
13	109203	PIN GUIDE BACKREST ADJ	
14	561062	1" INSERT PLUG .065 RIBS	
15A	111562	FRAME INSERT D.A.B.	DEPTH ADJUSTABLE BACK FRAME REQUIRED
15B	111560	MOUNT ANGLE ADJ D.A.B.	DEPTH ADJUSTABLE BACK FRAME REQUIRED
16	109822	BACKREST ADJ DELETE PLUG	PKG of 8
1A-14	111116	FOLD BACK STD 12" ASSM	STANDARD - 12" WIDE
1A-14	111117	FOLD BACK STD 13" ASSM	STANDARD - 13" WIDE
1A-14	111118	FOLD BACK STD 14" ASSM	STANDARD - 14" WIDE
1A-14	111119	FOLD BACK STD 15" ASSM	STANDARD - 15" WIDE
1A-14	111120	FOLD BACK STD 16" ASSM	STANDARD - 16" WIDE
1A-14	111121	FOLD BACK STD 17" ASSM	STANDARD - 17" WIDE
1A-14	111122	FOLD BACK STD 18" ASSM	STANDARD - 18" WIDE
1A-14	111123	FOLD BACK STD 19" ASSM	STANDARD - 19" WIDE
1A-14	111124	FOLD BACK STD 20" ASSM	STANDARD - 20" WIDE
1B-14	111125	FOLD BACK TALL 12" ASSM	TALL - 12" WIDE
1B-14	111126	FOLD BACK TALL 13" ASSM	TALL - 13" WIDE
1B-14	111127	FOLD BACK TALL 14" ASSM	TALL - 14" WIDE
1B-14	111128	FOLD BACK TALL 15" ASSM	TALL - 15" WIDE
1B-14	111129	FOLD BACK TALL 16" ASSM	TALL - 16" WIDE
1B-14	111130	FOLD BACK TALL 17" ASSM	TALL - 17" WIDE
1B-14	111131	FOLD BACK TALL 18" ASSM	TALL - 18" WIDE
1B-14	111132	FOLD BACK TALL 19" ASSM	TALL - 19" WIDE
1B-14	111133	FOLD BACK TALL 20" ASSM	TALL - 20" WIDE
1B-14	111133	FOLD BACK TALL 20" ASSM	TALL - 20" WIDE



**NOTE:** Effective on GT chairs after S/N R3-012700 & R3A-012762.

**NOTE:** New Frame is required if depth adjustment back inserts are requested on non-depth adjustable back chairs.

**NOTE:** New style Backrest Brackets and Frame (after S/N R3-012700 & R3A-012762) are not compatible with the old style Backrest Brackets and Frame .



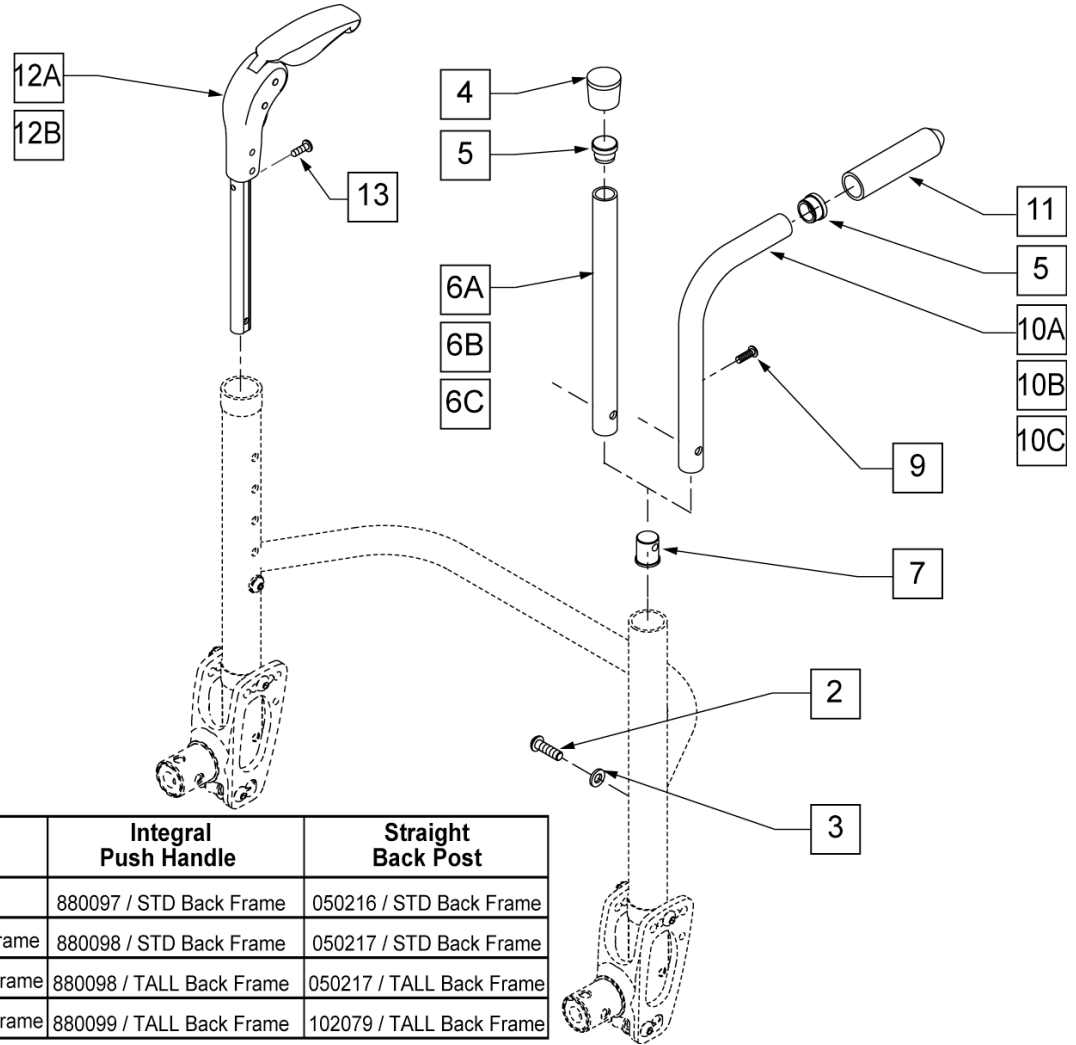
Pos.	Item Number	Description	Remarks
1A	109303	FRM ALUM BKRST ADJ 12" STD	STANDARD - 12" WIDE
1A	109304	FRM ALUM BKRST ADJ 13" STD	STANDARD - 13" WIDE
1A	109305	FRM ALUM BKRST ADJ 14" STD	STANDARD - 14" WIDE
1A	109306	FRM ALUM BKRST ADJ 15" STD	STANDARD - 15" WIDE
1A	109307	FRM ALUM BKRST ADJ 16" STD	STANDARD - 16" WIDE
1A	109308	FRM ALUM BKRST ADJ 17" STD	STANDARD - 17" WIDE
1A	109309	FRM ALUM BKRST ADJ 18" STD	STANDARD - 18" WIDE
1A	109310	FRM ALUM BKRST ADJ 19" STD	STANDARD - 19" WIDE
1A	109311	FRM ALUM BKRST ADJ 20" STD	STANDARD - 20" WIDE
1B	109312	FRM ALUM BKRST ADJ 12" TALL	TALL - 12" WIDE
1B	109313	FRM ALUM BKRST ADJ 13" TALL	TALL - 13" WIDE

Pos.	Item Number	Description	Remarks
1B	109314	FRM ALUM BKRST ADJ 14" TALL	TALL - 14" WIDE
1B	109315	FRM ALUM BKRST ADJ 15" TALL	TALL - 15" WIDE
1B	109316	FRM ALUM BKRST ADJ 16" TALL	TALL - 16" WIDE
1B	109317	FRM ALUM BKRST ADJ 17" TALL	TALL - 17" WIDE
1B	109318	FRM ALUM BKRST ADJ 18" TALL	TALL - 18" WIDE
1B	109319	FRM ALUM BKRST ADJ 19" TALL	TALL - 19" WIDE
1B	109320	FRM ALUM BKRST ADJ 20" TALL	TALL - 20" WIDE
2	109199	SADDLE BACKREST TUBE	
3	109197	ADJUSTER BACKREST INSERT	
4	109196	BRACKET BACKREST DBL LOCK	
5	102262-007	BHCS M6 x 1 x 45 INORG	
6	109198	IGUS BEARING GFM-0810-04	
7	109204	PIVOT BOLT BACKREST	
8	104381	NUT HEX NYLOCK M6 x 1.0 INORG	
9	109730	PIN GUIDE BACKREST FIXED	
10	561062	1" INSERT PLUG .065 RIBS	
11A	111562	FRAME INSERT D.A.B.	DEPTH ADJUSTABLE BACK FRAME REQUIRED
11B	111560	MOUNT ANGLE ADJ D.A.B.	DEPTH ADJUSTABLE BACK FRAME REQUIRED
1A-10	111134	NON-FOLD BACK STD 12" ASSM	STANDARD - 12" WIDE
1A-10	111135	NON-FOLD BACK STD 13" ASSM	STANDARD - 13" WIDE
1A-10	111136	NON-FOLD BACK STD 14" ASSM	STANDARD - 14" WIDE
1A-10	111137	NON-FOLD BACK STD 15" ASSM	STANDARD - 15" WIDE
1A-10	111138	NON-FOLD BACK STD 16" ASSM	STANDARD - 16" WIDE
1A-10	111139	NON-FOLD BACK STD 17" ASSM	STANDARD - 17" WIDE
1A-10	111140	NON-FOLD BACK STD 18" ASSM	STANDARD - 18" WIDE
1A-10	111141	NON-FOLD BACK STD 19" ASSM	STANDARD - 19" WIDE
1A-10	111142	NON-FOLD BACK STD 20" ASSM	STANDARD - 20" WIDE
1B-10	111143	NON-FOLD BACK TALL 12" ASSM	TALL - 12" WIDE
1B-10	111144	NON-FOLD BACK TALL 13" ASSM	TALL - 13" WIDE
1B-10	111145	NON-FOLD BACK TALL 14" ASSM	TALL - 14" WIDE
1B-10	111146	NON-FOLD BACK TALL 15" ASSM	TALL - 15" WIDE
1B-10	111147	NON-FOLD BACK TALL 16" ASSM	TALL - 16" WIDE
1B-10	111148	NON-FOLD BACK TALL 17" ASSM	TALL - 17" WIDE
1B-10	111149	NON-FOLD BACK TALL 18" ASSM	TALL - 18" WIDE
1B-10	111150	NON-FOLD BACK TALL 19" ASSM	TALL - 19" WIDE
1B-10	111151	NON-FOLD BACK TALL 20" ASSM	TALL - 20" WIDE

**NOTE:** Effective for GT chairs after S/N R3-012700 & R3A-012762.

**NOTE:** Effective for GTi chairs after S/N T4-505800 & T4A-505900.

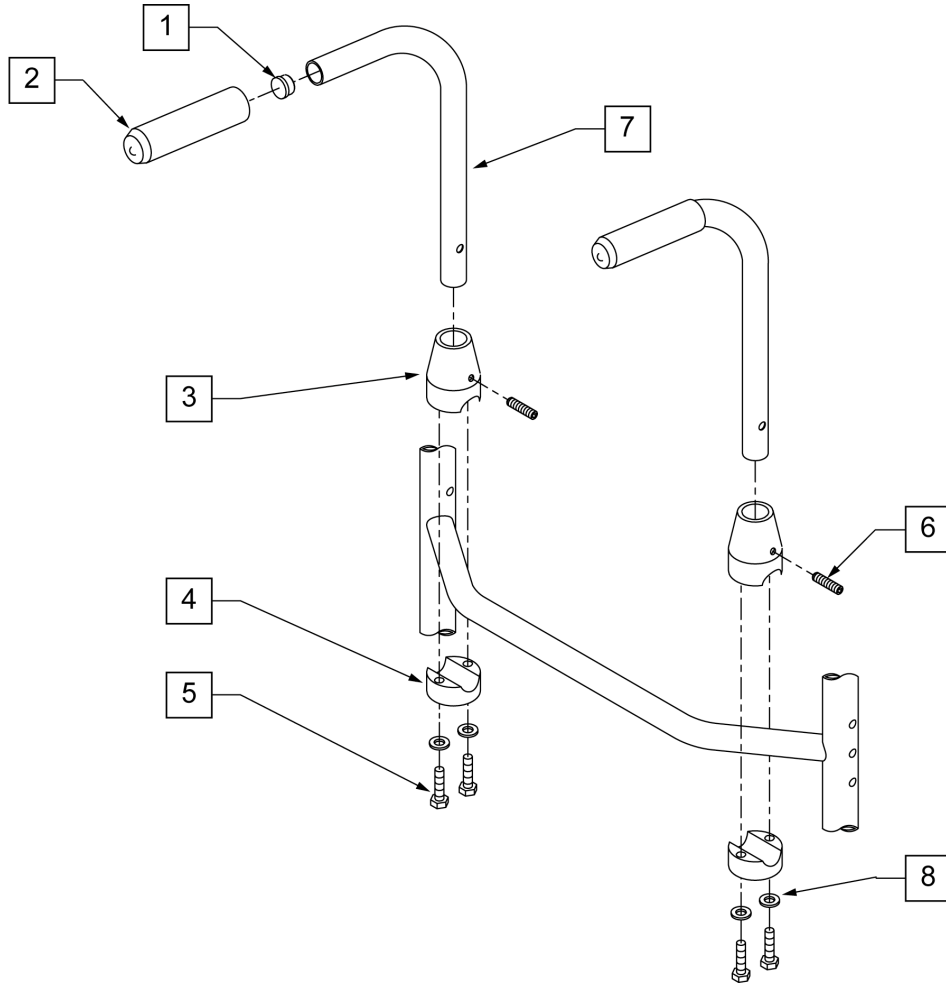
**NOTE:** SEE "FOLDING & NON FOLDING BACKREST HARDWARE" PARTS MANUAL PAGES FOR BACKREST FRAME PART NUMBERS.



	Folding Push Handle	Integral Push Handle	Straight Back Post
<b>Back Height</b> 10"-14"	N/A	880097 / STD Back Frame	050216 / STD Back Frame
12"-16"	882605 / STD Back Frame	880098 / STD Back Frame	050217 / STD Back Frame
14"-18"	882605 / TALL Back Frame	880098 / TALL Back Frame	050217 / TALL Back Frame
16"-20"	882606 / TALL Back Frame	880099 / TALL Back Frame	102079 / TALL Back Frame

Pos.	Item Number	Description	Remarks
2	102262-003	BHCS M6 x 20 BLK	
3	262130	M6 WASHER WAVE	
4	561010	3/4" CAP	
5	561000-QU	3/4" INSERT PLUG .083	
7	050019	PLUG BACKREST M6	
9	281122	10 -32 x 3/4 PAN PHIL	
11	920026	QUIKIE GRIP 3/4" W/ INSTR SH	
12A	882605	FOLDING PUSH HANDLE W/ INSERT 11 -14"	12 -16" & 14 -18" BACK HEIGHT
12B	882606	FOLDING PUSH HANDLE W/ INSERT 12 -16"	16 -20" BACK HEIGHT
13	281127	#12 x 3/4" PAN HD PHIL S/ TAP	
2-5,6A,7	050216	STRAIGHT BACK POST STD 10 -14"	10 -14" BACK HEIGHT
2-5,6B,7	050217	STRAIGHT BACK POST MED 12 -16"/14 -18"	12 -16" & 14 -18" BACK HEIGHT
2-5,6C,7	102079	STRAIGHT BACK POST TALL 16 -20"	16 -20" BACK HEIGHT
2,3,5,7,10A,11	050253	INTEGRAL PUSH HANDLE STANDARD	10 -14" BACK HEIGHT

<b>Pos.</b>	<b>Item Number</b>	<b>Description</b>	<b>Remarks</b>
2,3,5,7,10B,11	050254	INTEGRAL PUSH HANDLE MEDIUM	12 -16" & 14 -18" BACK HEIGHT
2,3,5,7,10C,11	102093	INTEGRAL PUSH HANDLE TALL	16 -20" BACK HEIGHT
5,10A,11	880097	INTEGRAL PUSH HANDLE STD W/ GRIP	10 -14" BACK HEIGHT
5,10B,11	880098	INTEGRALPUSH HANDLE MED W/ GRIP	12 -16" & 14 -18" BACK HEIGHT
5,10C,11	880099	INTEGRAL PUSH HANDLE TALL W/ GRIP	16 -20" BACK HEIGHT

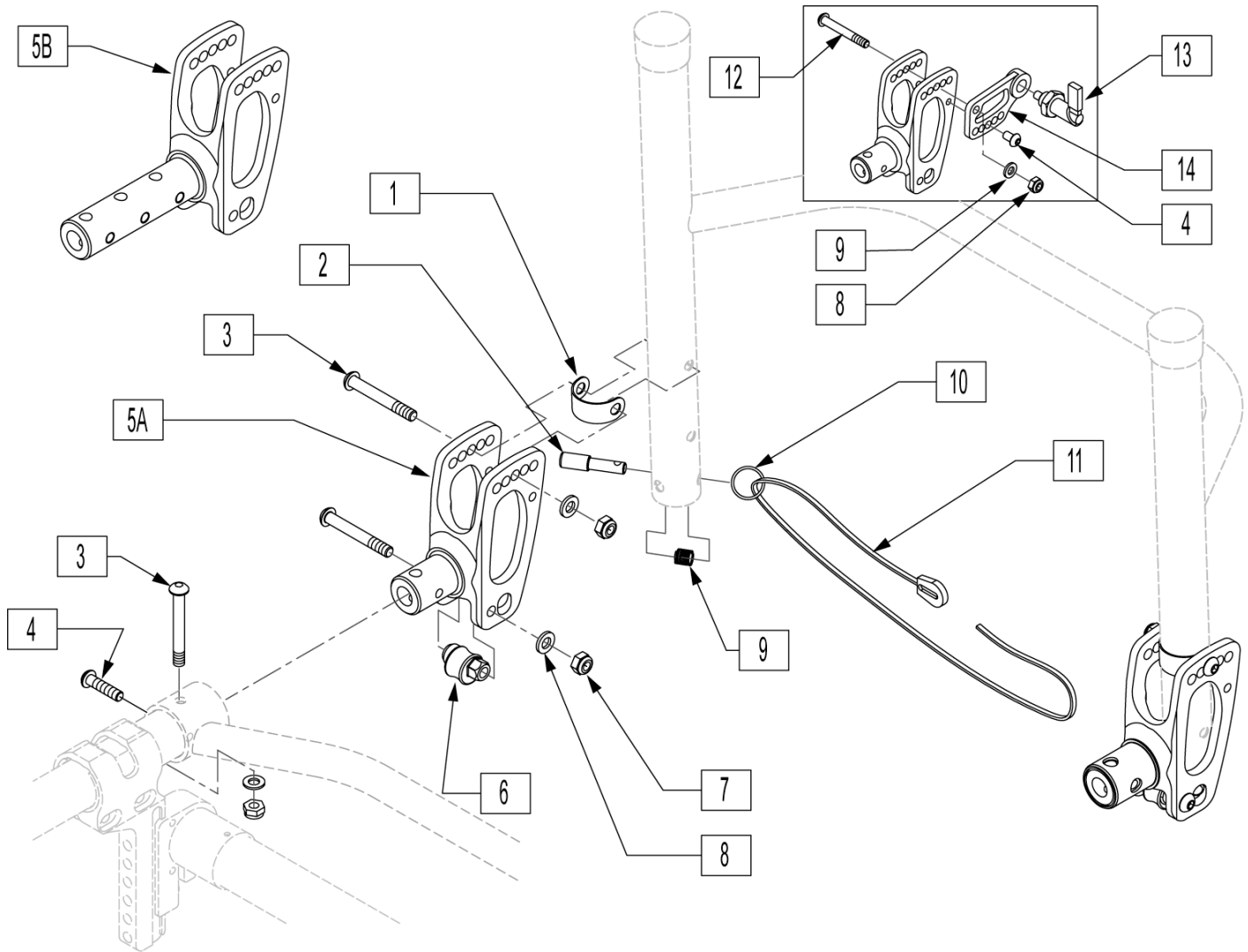


Pos.	Item Number	Description	Remarks
1	561000-QU	3/4 INSERT PLUG .083	
2	920026	QUICKIE GRIP 3/4" W/INSTR SH.	
3	483015	PUSH BACK RECEIVER TOP RIGID BLK	
4	483016	PUSH BACK RECEIVER BOTTOM RIGID BLK	
5	221126	1/4-20 x 1 1/4 G8 HEX C/S	
6	225200	1/4-20 x 1 SET SCREW	
8	262100-QU	1/4 AN WASHER FLAT	
1,2,7	842061	PUSH HNDL TUBE R W/F RIGID BLK	
1,2,7	842062	PUSH HNDL TUBE L W/F RIGID BLK	
1-8	900300	PUSH HANDLE ASSM RIGID BLK	Pair

**NOTE:** Discontinued on GT chairs as of S/N R3-012700 & R3A-012762.

**NOTE:** For chairs built prior to July 17th 2007 (serial # R3-008588) you must replace both backrest brackets by ordering 103535-001 or 103535-002.

**NOTE:** New style Backrest Brackets and Frame (after S/N R3-012700 & R3A-012762) are not compatible with the old style Backrest Brackets and Frame .



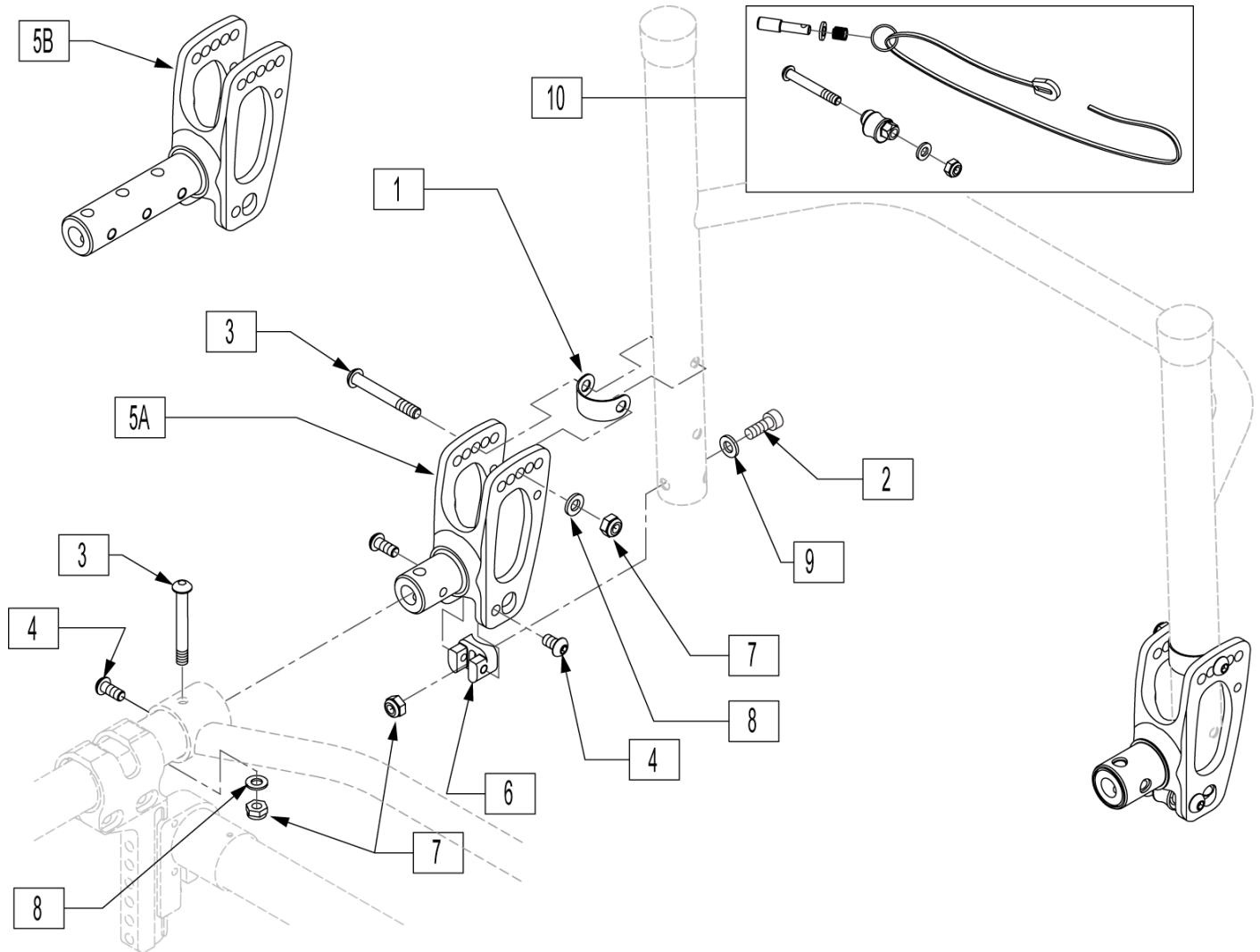
Pos.	Item Number	Description	Remarks
1	103470	WASHER PIVOT BACKREST	
2	050017	PIN PLUNGER BACKREST	
3	102262-007	BHCS M6 X 1 X 45 INORGANIC	
4	102262-003	BHCS M6 X 1 X 20	
5A	103507-001	BRACKET BACKREST 22MM	
5B	103507-002	BRACKET BACKREST 22MM EXT	For use with solid back insert
6	103238	CAM STOP BACKREST	
7	200113	NUT HEX NYLOCK M6 X 1 NUT	
8	250104	WASHER FLAT M6	
9	050020	SPRINGCOMP.312OD1.131G.025WSS	
10	342015	LANYARD ATTACH RING	

Pos.	Item Number	Description	Remarks
11	750060	BACK REL STRAP 12"-22" RIGID	
11	560221	BACK REL STRAP LOCK RIGID	
12	102262-008	BHCS M6 X 1 X 50 INORGANIC	
13	000_232_016	PLUNGER PIN LEVER	
14	103474	PLATE BACKREST LOCK DOWN	
4,7,8, 12-14	103538	LOCK DOWN BACKREST KIT	
1-4, 5A,6-8,10,11	103535-001	BRACKET W/HDWR FLDG STD	CONTAINS HARDWARE FOR BOTH SIDES
1-4, 5B,6-8,10,11	103535-002	BRACKET W/HDWR FLDG EXT	CONTAINS HARDWARE FOR BOTH SIDES

**NOTE:** Discontinued on GT chairs as of S/N R3-012700 & R3A-012762.

**NOTE:** For chairs built prior to July 17th 2007 (serial # R3-008588) you must replace both backrest brackets by ordering 103536-001 or 103536-002.

**NOTE:** New style Backrest Brackets and Frame (after S/N R3-012700 & R3A-012762) are not compatible with the old style Backrest Brackets and Frame .



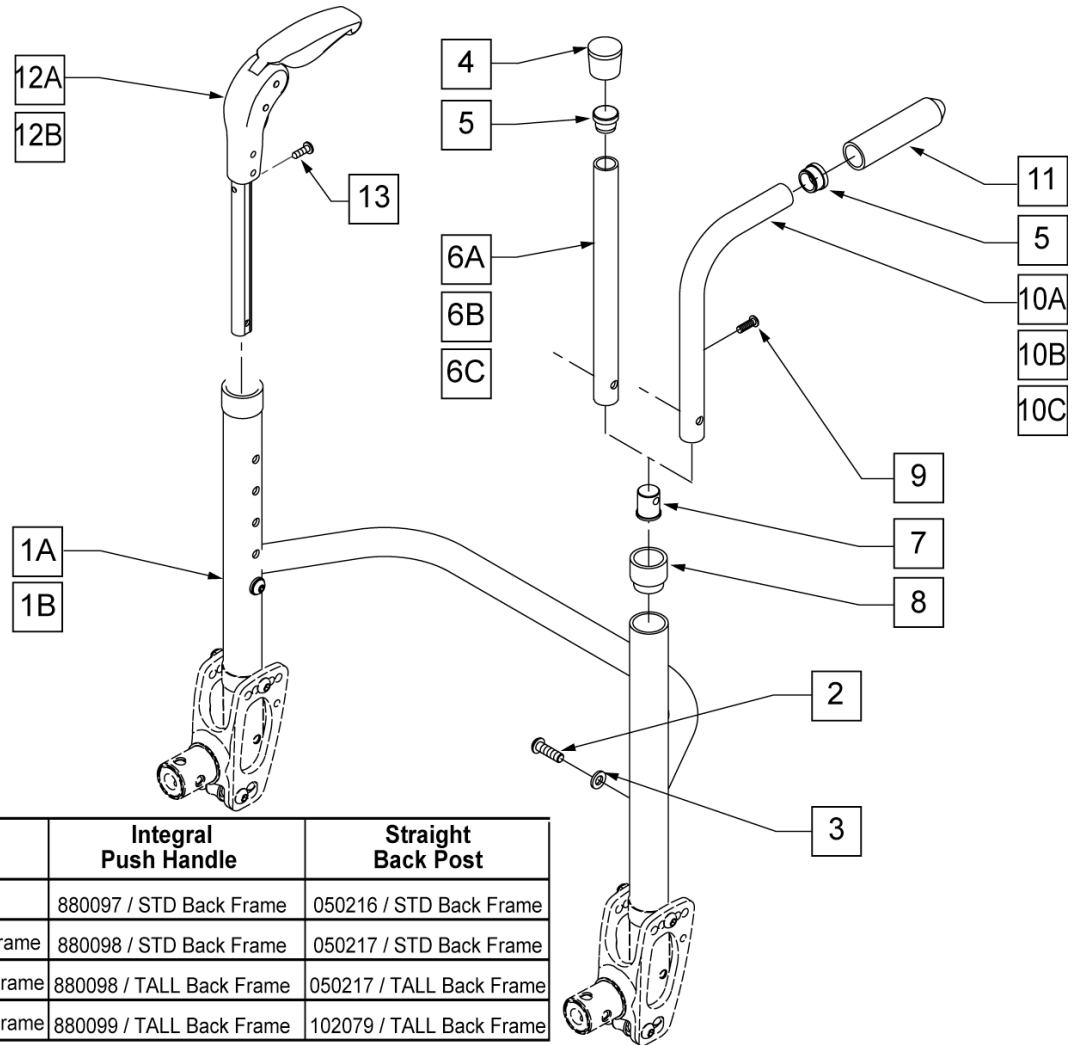


Pos.	Item Number	Description	Remarks
1	103470	WASHER PIVOT BACKREST	
2	102263-001	SHCS M6 X 1 X 16 INORGANIC	
3	102262-007	BHCS M6 X 1 X 45 INORGANIC	
4	102262-002	BHCS M6 X 1 X 10 W/PL INORG	
5A	103507-001	BRACKET BACKREST 22MM	
5B	103507-002	BRACKET BACKREST 22MM EXT	FOR USE WITH SOLID BACK INSERT
6	103472	SADDLE BACKREST NON-FOLD	
7	200113	NUT HEX NYLOCK M6 X 1 NUT	
8	250104	WASHER FLAT M6	
9	262130	6MM WASHER WAVE	
10	103537	FOLDING BACK CONVERSION KIT	
1-5A,7-9	103536-001	BRACKET W/HDWR FXD STD	CONTAINS HARDWARE FOR BOTH SIDES
1-5B,7-9	103536-002	BRACKET W/HDWR FXD EXT	CONTAINS HARDWARE FOR BOTH SIDES

**NOTE:** Discontinued on GT chairs as of S/N R3-012700 & R3A-012762.

**NOTE:** Discontinued on GTi chairs as of S/N T4-505800 & T4A-505900.

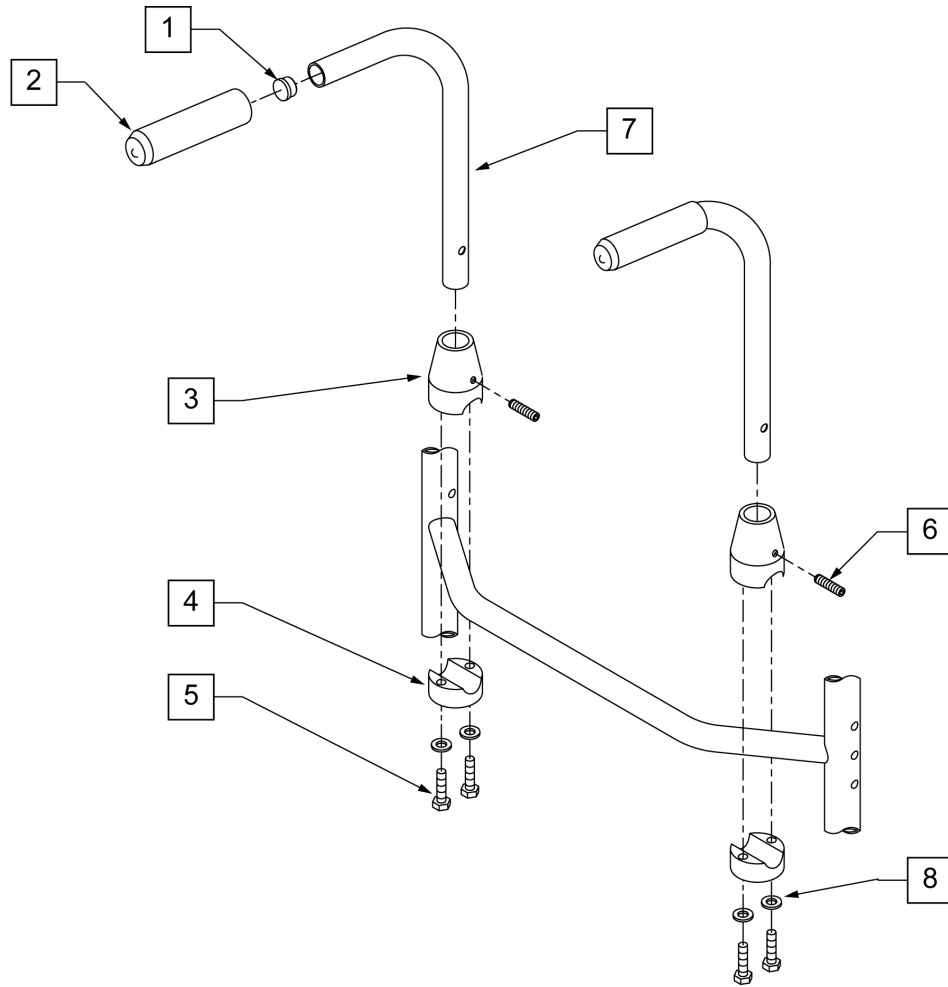
**NOTE:** If replacing backrest please order quantity 2 of 101301-001 if padded swing-away arms are being used.



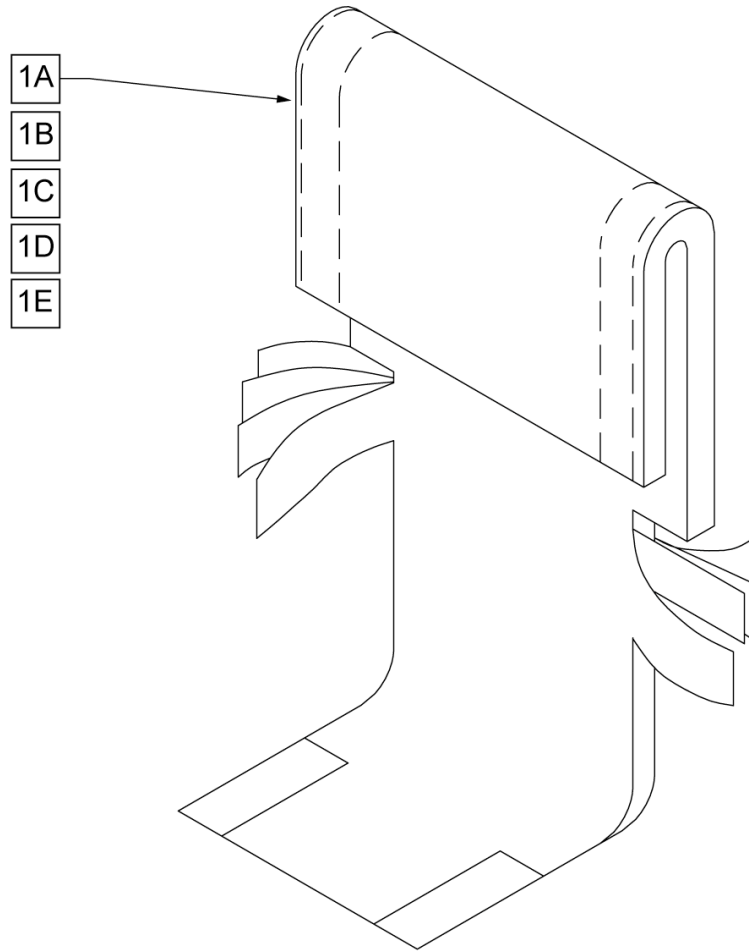
	Folding Push Handle	Integral Push Handle	Straight Back Post
<b>Back Height</b> 10"-14"	N/A	880097 / STD Back Frame	050216 / STD Back Frame
12"-16"	882605 / STD Back Frame	880098 / STD Back Frame	050217 / STD Back Frame
14"-18"	882605 / TALL Back Frame	880098 / TALL Back Frame	050217 / TALL Back Frame
16"-20"	882606 / TALL Back Frame	880099 / TALL Back Frame	102079 / TALL Back Frame

Pos.	Item Number	Description	Remarks
1A	050220-001	FRM ALUM BKRST HGT ADJ 12" STD	USED WITH OUT PADDED S/A ARMS
1A	050220-002	FRM ALUM BKRST HGT ADJ 13" STD	USED WITH OUT PADDED S/A ARMS
1A	050220-003	FRM ALUM BKRST HGT ADJ 14" STD	USED WITH OUT PADDED S/A ARMS
1A	050220-004	FRM ALUM BKRST HGT ADJ 15" STD	USED WITH OUT PADDED S/A ARMS
1A	050220-005	FRM ALUM BKRST HGT ADJ 16" STD	USED WITH OUT PADDED S/A ARMS
1A	050220-006	FRM ALUM BKRST HGT ADJ 17" STD	USED WITH OUT PADDED S/A ARMS
1A	050220-007	FRM ALUM BKRST HGT ADJ 18" STD	USED WITH OUT PADDED S/A ARMS
1A	050220-008	FRM ALUM BKRST HGT ADJ 19" STD	USED WITH OUT PADDED S/A ARMS
1A	050220-009	FRM ALUM BKRST HGT ADJ 20" STD	USED WITH OUT PADDED S/A ARMS
1B	050221-001	FRM ALUM BKRST HGT ADJ 12" TALL	USED WITH OUT PADDED S/A ARMS
1B	050221-002	FRM ALUM BKRST HGT ADJ 13" TALL	USED WITH OUT PADDED S/A ARMS
1B	050221-003	FRM ALUM BKRST HGT ADJ 14" TALL	USED WITH OUT PADDED S/A ARMS
1B	050221-004	FRM ALUM BKRST HGT ADJ 15" TALL	USED WITH OUT PADDED S/A ARMS
1B	050221-005	FRM ALUM BKRST HGT ADJ 16" TALL	USED WITH OUT PADDED S/A ARMS

Pos.	Item Number	Description	Remarks
1B	050221-006	FRM ALUM BKRST HGT ADJ 17" TALL	USED WITH OUT PADDED S/A ARMS
1B	050221-007	FRM ALUM BKRST HGT ADJ 18" TALL	USED WITH OUT PADDED S/A ARMS
1B	050221-008	FRM ALUM BKRST HGT ADJ 19" TALL	USED WITH OUT PADDED S/A ARMS
1B	050221-009	FRM ALUM BKRST HGT ADJ 20" TALL	USED WITH OUT PADDED S/A ARMS
1A	104769-001	FRAME ALUM BACKREST 12 STD PAD ARM	USED WITH PADDED S/A ARMS
1A	104769-002	FRAME ALUM BACKREST 13 STD PAD ARM	USED WITH PADDED S/A ARMS
1A	104769-003	FRAME ALUM BACKREST 14 STD PAD ARM	USED WITH PADDED S/A ARMS
1A	104769-004	FRAME ALUM BACKREST 15 STD PAD ARM	USED WITH PADDED S/A ARMS
1A	104769-005	FRAME ALUM BACKREST 16 STD PAD ARM	USED WITH PADDED S/A ARMS
1A	104769-006	FRAME ALUM BACKREST 17 STD PAD ARM	USED WITH PADDED S/A ARMS
1A	104769-007	FRAME ALUM BACKREST 18 STD PAD ARM	USED WITH PADDED S/A ARMS
1A	104769-008	FRAME ALUM BACKREST 19 STD PAD ARM	USED WITH PADDED S/A ARMS
1A	104769-009	FRAME ALUM BACKREST 20 STD PAD ARM	USED WITH PADDED S/A ARMS
1B	104750-001	FRAME ALUM BACKREST 12 TALL PAD ARM	USED WITH PADDED S/A ARMS
1B	104750-002	FRAME ALUM BACKREST 13 TALL PAD ARM	USED WITH PADDED S/A ARMS
1B	104750-003	FRAME ALUM BACKREST 14 TALL PAD ARM	USED WITH PADDED S/A ARMS
1B	104750-004	FRAME ALUM BACKREST 15 TALL PAD ARM	USED WITH PADDED S/A ARMS
1B	104750-005	FRAME ALUM BACKREST 16 TALL PAD ARM	USED WITH PADDED S/A ARMS
1B	104750-006	FRAME ALUM BACKREST 17 TALL PAD ARM	USED WITH PADDED S/A ARMS
1B	104750-007	FRAME ALUM BACKREST 18 TALL PAD ARM	USED WITH PADDED S/A ARMS
1B	104750-008	FRAME ALUM BACKREST 19 TALL PAD ARM	USED WITH PADDED S/A ARMS
1B	104750-009	FRAME ALUM BACKREST 20 TALL PAD ARM	USED WITH PADDED S/A ARMS
2	102262-003	BHCS M6 x 20 BLK	
3	262130	M6 WASHER WAVE	
4	561010	3/4" CAP	
5	561000-QU	3/4" INSERT PLUG .083	
7	050019	PLUG BACKREST M6	
8	561082	1" TUBE END BUSHING THIN	
9	281122	10 -32 x 3/4 PAN PHIL	
11	920026	QUIKIE GRIP 3/4" W/ INSTR SH	
12A	882605	FOLDING PUSH HANDLE W/ INSERT 11 -14"	12 -16" & 14 -18" BACK HEIGHT
12B	882606	FOLDING PUSH HANDLE W/ INSERT 12 -16"	16 -20" BACK HEIGHT
13	281127	#12 x 3/4" PAN HD PHIL S/ TAP	
2-5,6A,7	050216	BACK ADJ TUBE RIGID STD 10 -14"	10 -14" BACK HEIGHT
2-5,6B,7	050217	BACK ADJ TUBE RIGID TALL 12 -16"/14 -18"	12 -16" & 14 -18" BACK HEIGHT
2-5,6C,7	102079	BACK ADJ TUBE RIGID TALL 16 -20"	16 -20" BACK HEIGHT
2,3,5,7,10A,11	050253	BACK ADJ PUSH HANDLE STANDARD	10 -14" BACK HEIGHT
2,3,5,7,10B,11	050254	BACK ADJ PUSH HANDLE MEDIUM	12 -16" & 14 -18" BACK HEIGHT
2,3,5,7,10C,11	102093	BACK ADJ PUSH HANDLE TALL	16 -20" BACK HEIGHT
5,10A,11	880097	HGT ADJ STROLLER HANDLE STD W/ GRIP	10 -14" BACK HEIGHT
5,10B,11	880098	HGT ADJ STROLLER HANDLE MED W/ GRIP	12 -16" & 14 -18" BACK HEIGHT
5,10C,11	880099	HGT ADJ STROLLER HANDLE TALL W/ GRIP	16 -20" BACK HEIGHT

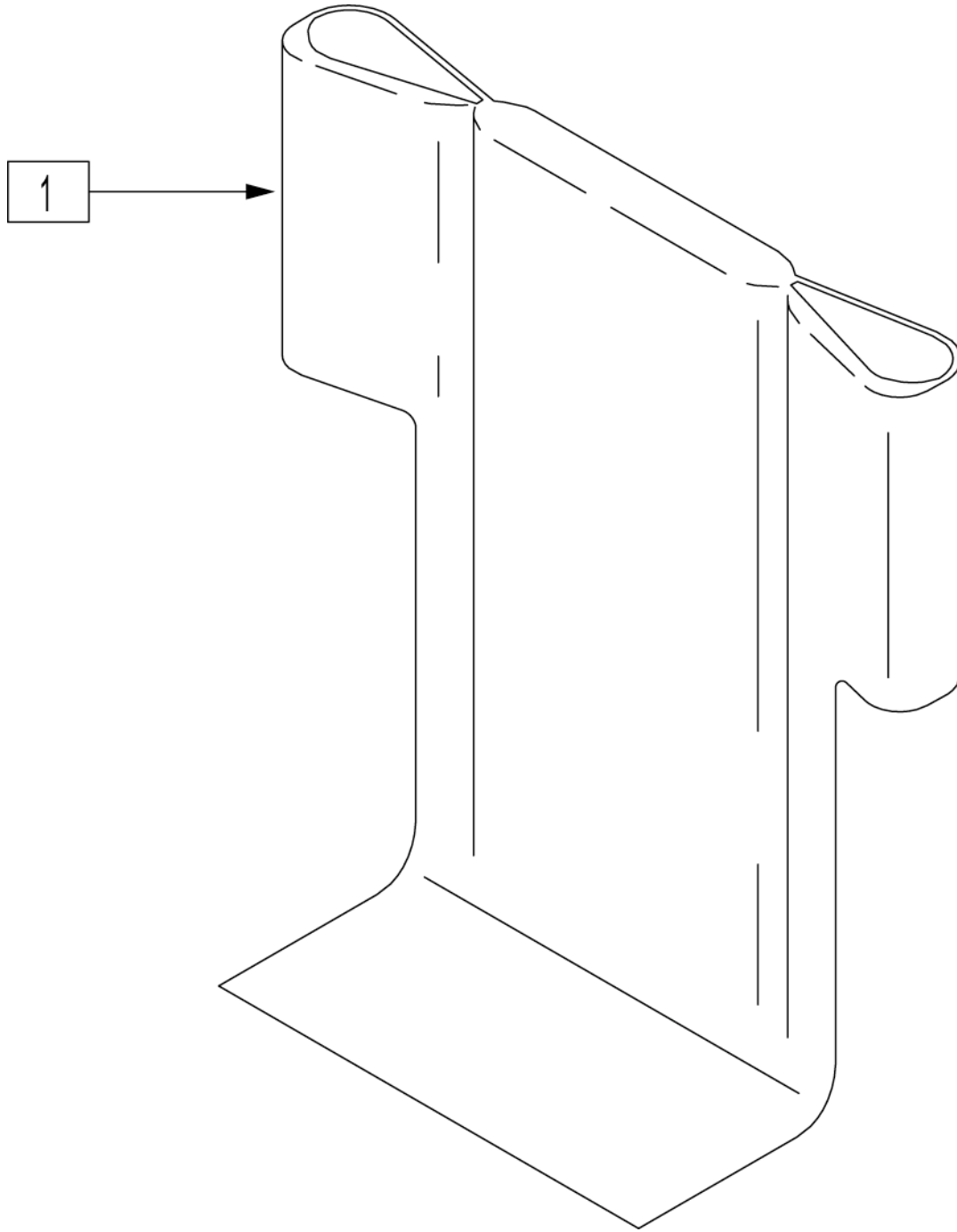


Pos.	Item Number	Description	Remarks
1	561000-QU	3/4 INSERT PLUG .083	
2	920026	QUICKIE GRIP 3/4" W/INSTR SH.	
3	483015	PUSH BACK RECEIVER TOP RIGID BLK	
4	483016	PUSH BACK RECEIVER BOTTOM RIGID BLK	
5	221126	1/4-20 x 1 1/4 G8 HEX C/S	
6	225200	1/4-20 x 1 SET SCREW	
8	262100-QU	1/4 AN WASHER FLAT	
1,2,7	842061	PUSH HNDL TUBE R W/F RIGID BLK	
1,2,7	842062	PUSH HNDL TUBE L W/F RIGID BLK	
1-8	900300	PUSH HANDLE ASSM RIGID BLK	Pair



Pos.	Item Number	Description	Remarks
1A	680212	BACK UPH 12" 8-12" W/TAIL	(12" WIDE) 8-12" for Ht Adj Back & 8,9,10" for Fixed Back Hts
1A	680213	BACK UPH 13" 8-12" W/TAIL	(13" WIDE) 8-12" for Ht Adj Back & 8,9,10" for Fixed Back Hts
1A	680308	BACK UPH 14" 8-12" W/TAIL	(14" WIDE) 8-12" for Ht Adj Back & 8,9,10" for Fixed Back Hts
1A	680408	BACK UPH 15" 8-12" W/TAIL	(15" WIDE) 8-12" for Ht Adj Back & 8,9,10" for Fixed Back Hts
1A	680508	BACK UPH 16" 8-12" W/TAIL	(16" WIDE) 8-12" for Ht Adj Back & 8,9,10" for Fixed Back Hts
1A	680608	BACK UPH 17" 8-12" W/TAIL	(17" WIDE) 8-12" for Ht Adj Back & 8,9,10" for Fixed Back Hts
1A	680708	BACK UPH 18" 8-12" W/TAIL	(18" WIDE) 8-12" for Ht Adj Back & 8,9,10" for Fixed Back Hts
1A	680808	BACK UPH 19" 8-12" W/TAIL	(19" WIDE) 8-12" for Ht Adj Back & 8,9,10" for Fixed Back Hts
1B	680208	BACK UPH 12" 11-15" W/ TAIL	(12" WIDE) 10-14" for Ht Adj Back & 11" for Fixed Back Hts
1B	680201	BACK UPH 13" 11-15" W/ TAIL	(13" WIDE) 10-14" for Ht Adj Back & 11" for Fixed Back Hts
1B	680301	BACK UPH 14" 11-15" W/ TAIL	(14" WIDE) 10-14" for Ht Adj Back & 11" for Fixed Back Hts
1B	680401	BACK UPH 15" 11-15" W/ TAIL	(15" WIDE) 10-14" for Ht Adj Back & 11" for Fixed Back Hts
1B	680501	BACK UPH 16" 11-15" W/ TAIL	(16" WIDE) 10-14" for Ht Adj Back & 11" for Fixed Back Hts
1B	680601	BACK UPH 17" 11-15" W/ TAIL	(17" WIDE) 10-14" for Ht Adj Back & 11" for Fixed Back Hts
1B	680701	BACK UPH 18" 11-15" W/ TAIL	(18" WIDE) 10-14" for Ht Adj Back & 11" for Fixed Back Hts
1B	680801	BACK UPH 19" 11-15" W/ TAIL	(19" WIDE) 10-14" for Ht Adj Back & 11" for Fixed Back Hts
1B	680901	BACK UPH 20" 11-15" W/ TAIL	(20" WIDE) 10-14" for Ht Adj Back & 11" for Fixed Back Hts
1C	680209	BACK UPH 12" 12-16" W/ TAIL	(12" WIDE) 12 -16" for Ht Adj Back & 12"&13" for Fixed Back Hts
1C	680203	BACK UPH 13" 12-16" W/ TAIL	(13" WIDE) 12 -16" for Ht Adj Back & 12"&13" for Fixed Back Hts
1C	680303	BACK UPH 14" 12-16" W/ TAIL	(14" WIDE) 12 -16" for Ht Adj Back & 12"&13" for Fixed Back Hts
1C	680403	BACK UPH 15" 12-16" W/ TAIL	(15" WIDE) 12 -16" for Ht Adj Back & 12"&13" for Fixed Back Hts

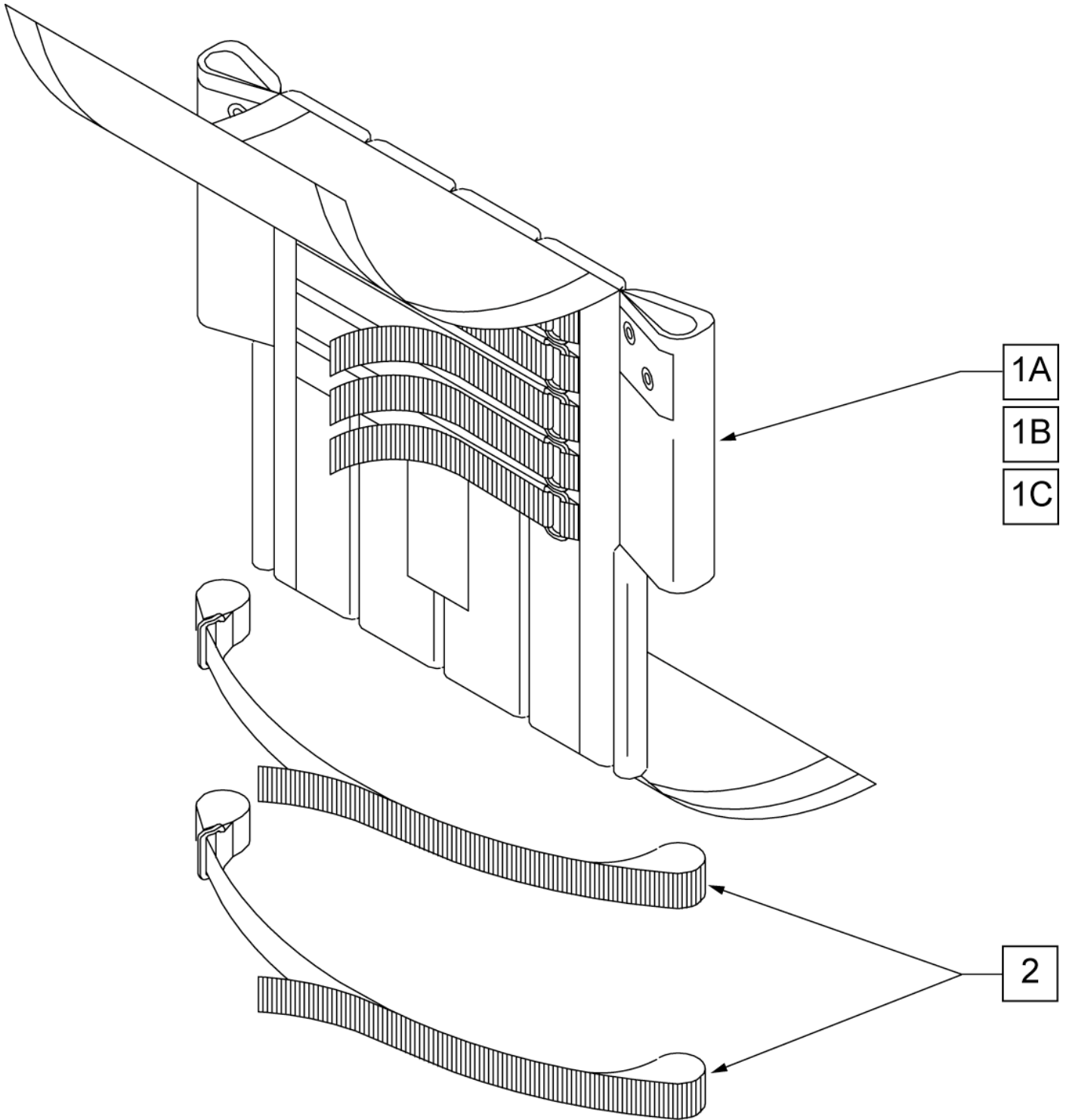
Pos.	Item Number	Description	Remarks
1C	680503	BACK UPH 16" 12-16" W/ TAIL	(16" WIDE) 12 -16" for Ht Adj Back & 12"&13" for Fixed Back Hts
1C	680603	BACK UPH 17" 12-16" W/ TAIL	(17" WIDE) 12 -16" for Ht Adj Back & 12"&13" for Fixed Back Hts
1C	680703	BACK UPH 18" 12-16" W/ TAIL	(18" WIDE) 12 -16" for Ht Adj Back & 12"&13" for Fixed Back Hts
1C	680803	BACK UPH 19" 12-16" W/ TAIL	(19" WIDE) 12 -16" for Ht Adj Back & 12"&13" for Fixed Back Hts
1C	680903	BACK UPH 20" 12-16" W/ TAIL	(20" WIDE) 12 -16" for Ht Adj Back & 12"&13" for Fixed Back Hts
1D	680210	BACK UPH 12" 14-18" W/ TAIL	(12" WIDE) 14 -18" for Ht Adj Back & 14,15,16" for Fixed Back Hts
1D	680205	BACK UPH 13" 14-18" W/ TAIL	(13" WIDE) 14 -18" for Ht Adj Back & 14,15,16" for Fixed Back Hts
1D	680305	BACK UPH 14" 14-18" W/ TAIL	(14" WIDE) 14 -18" for Ht Adj Back & 14,15,16" for Fixed Back Hts
1D	680405	BACK UPH 15" 14-18" W/ TAIL	(15" WIDE) 14 -18" for Ht Adj Back & 14,15,16" for Fixed Back Hts
1D	680505	BACK UPH 16" 14-18" W/ TAIL	(16" WIDE) 14 -18" for Ht Adj Back & 14,15,16" for Fixed Back Hts
1D	680605	BACK UPH 17" 14-18" W/ TAIL	(17" WIDE) 14 -18" for Ht Adj Back & 14,15,16" for Fixed Back Hts
1D	680705	BACK UPH 18" 14-18" W/ TAIL	(18" WIDE) 14 -18" for Ht Adj Back & 14,15,16" for Fixed Back Hts
1D	680805	BACK UPH 19" 14-18" W/ TAIL	(19" WIDE) 14 -18" for Ht Adj Back & 14,15,16" for Fixed Back Hts
1D	680905	BACK UPH 20" 14-18" W/ TAIL	(20" WIDE) 14 -18" for Ht Adj Back & 14,15,16" for Fixed Back Hts
1E	680211	BACK UPH 12" 16-20" W/ TAIL	(12" WIDE) 16 -20" for Ht Adj Back & 17,18,19" for Fixed Back Hts
1E	680207	BACK UPH 13" 16-20" W/ TAIL	(13" WIDE) 16 -20" for Ht Adj Back & 17,18,19" for Fixed Back Hts
1E	680307	BACK UPH 14" 16-20" W/ TAIL	(14" WIDE) 16 -20" for Ht Adj Back & 17,18,19" for Fixed Back Hts
1E	680407	BACK UPH 15" 16-20" W/ TAIL	(15" WIDE) 16 -20" for Ht Adj Back & 17,18,19" for Fixed Back Hts
1E	680507	BACK UPH 16" 16-20" W/ TAIL	(16" WIDE) 16 -20" for Ht Adj Back & 17,18,19" for Fixed Back Hts
1E	680607	BACK UPH 17" 16-20" W/ TAIL	(17" WIDE) 16 -20" for Ht Adj Back & 17,18,19" for Fixed Back Hts
1E	680707	BACK UPH 18" 16-20" W/ TAIL	(18" WIDE) 16 -20" for Ht Adj Back & 17,18,19" for Fixed Back Hts
1E	680807	BACK UPH 19" 16-20" W/ TAIL	(19" WIDE) 16 -20" for Ht Adj Back & 17,18,19" for Fixed Back Hts
1E	680907S	BACK UPH CUSTOM Q1/GP F BCK	(20" WIDE) 16 -20" for Ht Adj Back & 17,18,19" for Fixed Back Hts



Pos.	Item Number	Description	Remarks
1A	680442	BACK UPH 12" 11-14/12-16 RDG	10 -14" & 12 -16" BACK HEIGHT
1A	680443	BACK UPH 13" 11-14/12-16 RDG	10 -14" & 12 -16" BACK HEIGHT
1A	680454	BACK UPH 14" 11-14/12-16 RDG	10 -14" & 12 -16" BACK HEIGHT
1A	680455	BACK UPH 15" 11-14/12-16 RDG	10 -14" & 12 -16" BACK HEIGHT
1A	680456	BACK UPH 16" 11-14/12-16 RDG	10 -14" & 12 -16" BACK HEIGHT
1A	680457	BACK UPH 17" 11-14/12-16 RDG	10 -14" & 12 -16" BACK HEIGHT
1A	680458	BACK UPH 18" 11-14/12-16 RDG	10 -14" & 12 -16" BACK HEIGHT
1A	680459	BACK UPH 19" 11-14/12-16 RDG	10 -14" & 12 -16" BACK HEIGHT
1A	680460	BACK UPH 20" 11-14/12-16 RDG	10 -14" & 12 -16" BACK HEIGHT

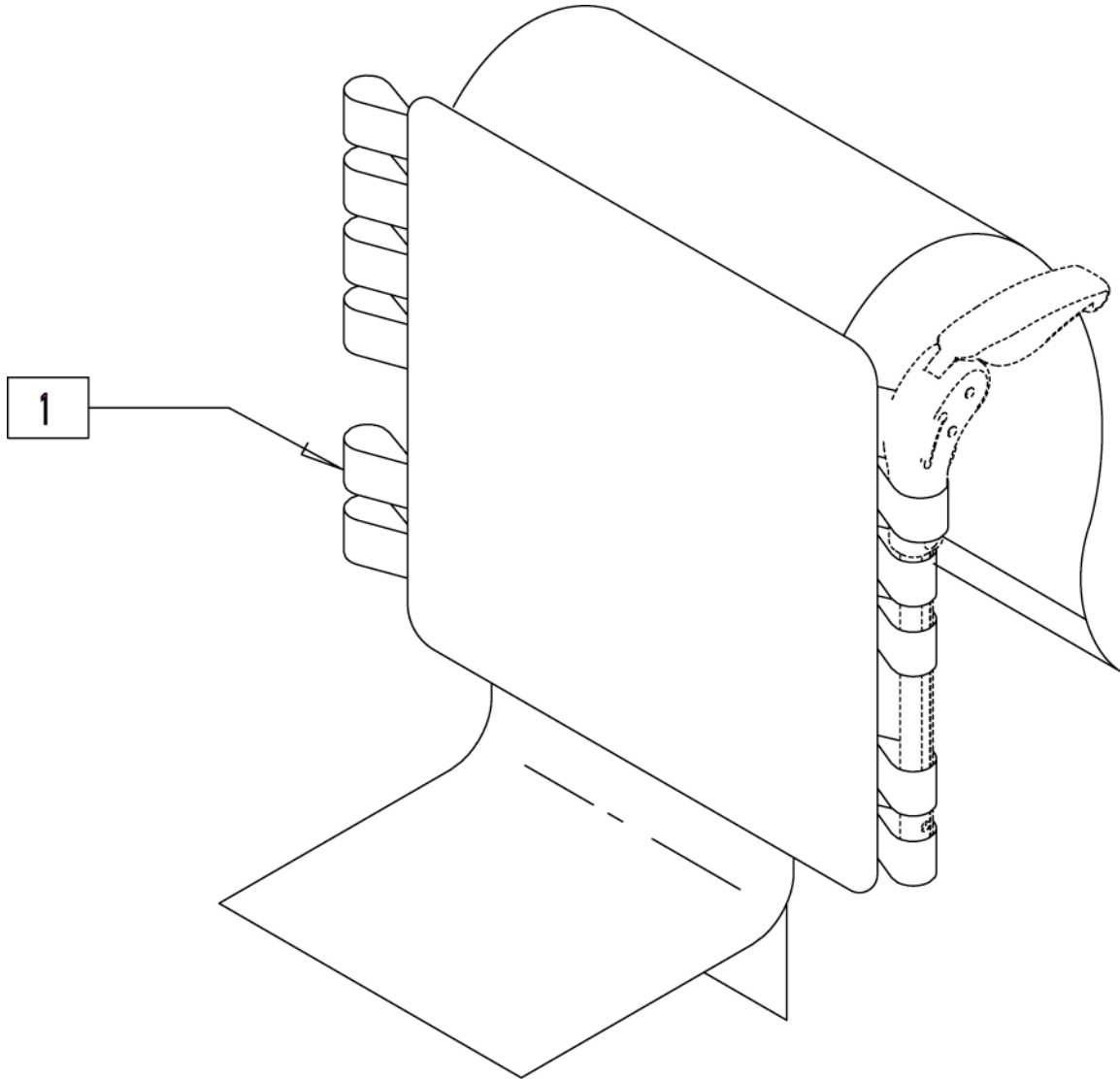
Pos.	Item Number	Description	Remarks
1B	680462	BACK UPH 12" 14-18 RDG	14 -18" BACK HEIGHT
1B	680463	BACK UPH 13" 14-18 RDG	14 -18" BACK HEIGHT
1B	680464	BACK UPH 14" 14-18 RDG	14 -18" BACK HEIGHT
1B	680465	BACK UPH 15" 14-18 RDG	14 -18" BACK HEIGHT
1B	680466	BACK UPH 16" 14-18 RDG	14 -18" BACK HEIGHT
1B	680467	BACK UPH 17" 14-18 RDG	14 -18" BACK HEIGHT
1B	680468	BACK UPH 18" 14-18 RDG	14 -18" BACK HEIGHT
1B	680469	BACK UPH 19" 14-18 RDG	14 -18" BACK HEIGHT
1B	680470	BACK UPH 20" 14-18 RDG	14 -18" BACK HEIGHT
1C	680472	BACK UPH 12" 16-20 RDG	16 -20" BACK HEIGHT
1C	680473	BACK UPH 13" 16-20 RDG	16 -20" BACK HEIGHT
1C	680474	BACK UPH 14" 16-20 RDG	16 -20" BACK HEIGHT
1C	680475	BACK UPH 15" 16-20 RDG	16 -20" BACK HEIGHT
1C	680476	BACK UPH 16" 16-20 RDG	16 -20" BACK HEIGHT
1C	680477	BACK UPH 17" 16-20 RDG	16 -20" BACK HEIGHT
1C	680478	BACK UPH 18" 16-20 RDG	16 -20" BACK HEIGHT
1C	680479	BACK UPH 19" 16-20 RDG	16 -20" BACK HEIGHT
1C	680480	BACK UPH 20" 16-20 RDG	16 -20" BACK HEIGHT





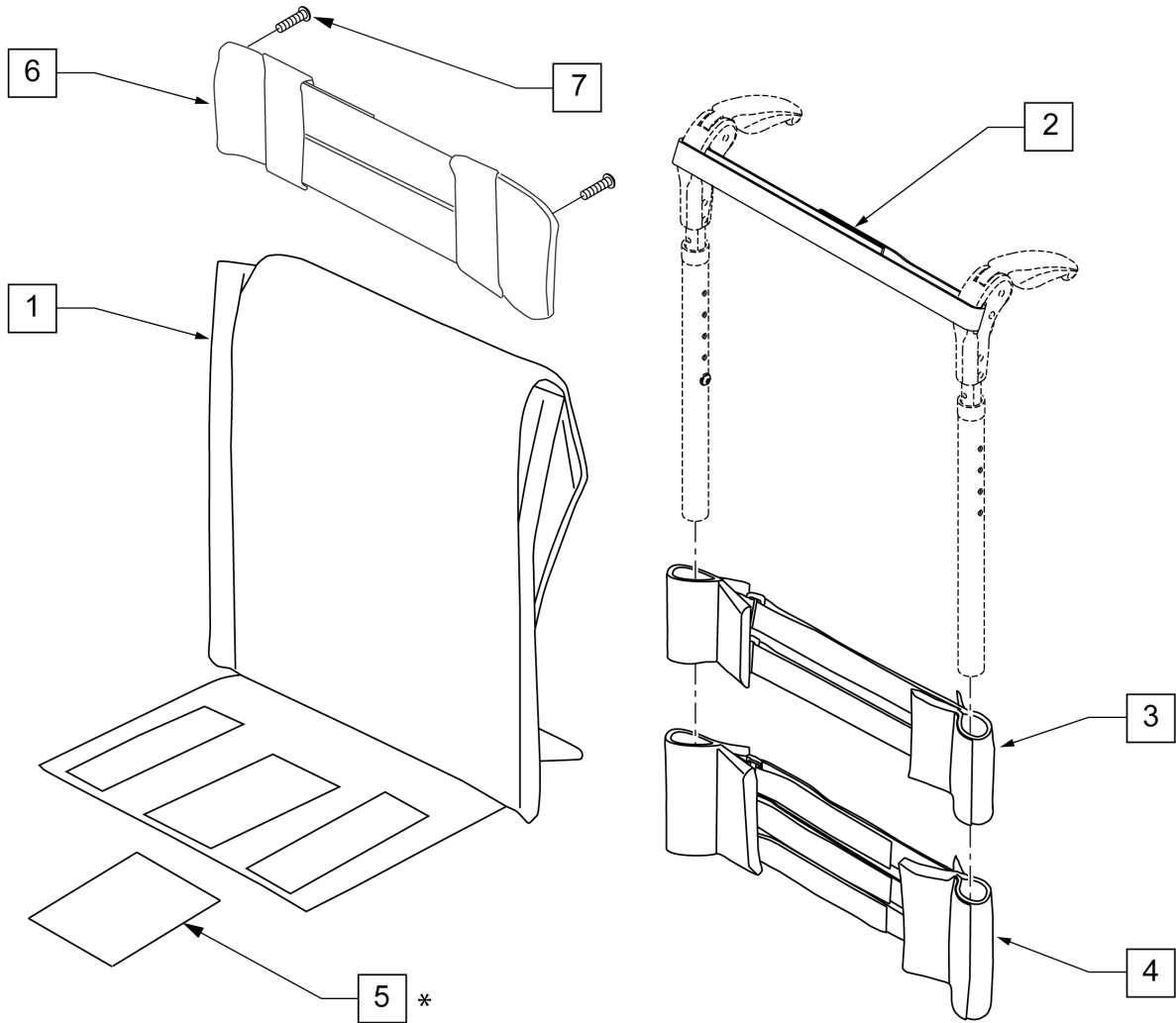
Pos.	Item Number	Description	Remarks
1A,2	684017	ADJ BACK UPH 12" LOW	10 -14" BACK HEIGHT
1A,2	684027	ADJ BACK UPH 13" LOW	10 -14" BACK HEIGHT
1A,2	684037	ADJ BACK UPH 14" LOW	10 -14" BACK HEIGHT
1A,2	684047	ADJ BACK UPH 15" LOW	10 -14" BACK HEIGHT
1A,2	684057	ADJ BACK UPH 16" LOW	10 -14" BACK HEIGHT
1A,2	684067	ADJ BACK UPH 17" LOW	10 -14" BACK HEIGHT

<b>Pos.</b>	<b>Item Number</b>	<b>Description</b>	<b>Remarks</b>
1A,2	684077	ADJ BACK UPH 18" LOW	10 -14" BACK HEIGHT
1A,2	684087	ADJ BACK UPH 19" LOW	10 -14" BACK HEIGHT
1A,2	684097	ADJ BACK UPH 20" LOW	10 -14" BACK HEIGHT
1B,2	684018	ADJ BACK UPH 12" MED	12 -16" & 14 -18" BACK HEIGHT
1B,2	684028	ADJ BACK UPH 13" MED	12 -16" & 14 -18" BACK HEIGHT
1B,2	684038	ADJ BACK UPH 14" MED	12 -16" & 14 -18" BACK HEIGHT
1B,2	684048	ADJ BACK UPH 15" MED	12 -16" & 14 -18" BACK HEIGHT
1B,2	684058	ADJ BACK UPH 16" MED	12 -16" & 14 -18" BACK HEIGHT
1B,2	684068	ADJ BACK UPH 17" MED	12 -16" & 14 -18" BACK HEIGHT
1B,2	684078	ADJ BACK UPH 18" MED	12 -16" & 14 -18" BACK HEIGHT
1B,2	684088	ADJ BACK UPH 19" MED	12 -16" & 14 -18" BACK HEIGHT
1B,2	684098	ADJ BACK UPH 20" MED	12 -16" & 14 -18" BACK HEIGHT
1C,2	684019	ADJ BACK UPH 12" TALL	16 -20" BACK HEIGHT
1C,2	684029	ADJ BACK UPH 13" TALL	16 -20" BACK HEIGHT
1C,2	684039	ADJ BACK UPH 14" TALL	16 -20" BACK HEIGHT
1C,2	684049	ADJ BACK UPH 15" TALL	16 -20" BACK HEIGHT
1C,2	684059	ADJ BACK UPH 16" TALL	16 -20" BACK HEIGHT
1C,2	684069	ADJ BACK UPH 17" TALL	16 -20" BACK HEIGHT
1C,2	684079	ADJ BACK UPH 18" TALL	16 -20" BACK HEIGHT
1C,2	684089	ADJ BACK UPH 19" TALL	16 -20" BACK HEIGHT
1C,2	684099	ADJ BACK UPH 20" TALL	16 -20" BACK HEIGHT



Pos.	Item Number	Description	Remarks
1	687460	UPH FOLDING PUSH HANDLE ADJ 13W x 10H	USED W/ 10" & 11" BACK HGTS (4 STRAPS)
1	687462	UPH FOLDING PUSH HANDLE ADJ 13W x 12H	USED W/ 12" & 13" FIXED/ 12 -16" ADJ (5 STRAPS)
1	687464	UPH FOLDING PUSH HANDLE ADJ 13W x 14H	USED W/ 14" & 15" FIXED/ 14 -18" ADJ (6 STRAPS)
1	687465	UPH FOLDING PUSH HANDLE ADJ 13W x 16H	USED W/ 16 - 20" ADJ BACK HGTS (7 STRAPS)
1	687466	UPH FOLDING PUSH HANDLE ADJ 14W x 10H	USED W/ 10" & 11" FIXED BACK HGTS (4 STRAPS)
1	687468	UPH FOLDING PUSH HANDLE ADJ 14W x 12H	USED W/ 12" & 13" FIXED/ 12 -16" ADJ (5 STRAPS)
1	687470	UPH FOLDING PUSH HANDLE ADJ 14W x 14H	USED W/ 14" & 15" FIXED/ 14 -18" ADJ (6 STRAPS)
1	687471	UPH FOLDING PUSH HANDLE ADJ 14W x 16H	USED W/ 16 -20" ADJ BACK HGTS (7 STRAPS)
1	687472	UPH FOLDING PUSH HANDLE ADJ 15W x 10H	USED W/ 10" & 11" BACK HGTS (4 STRAPS)
1	687474	UPH FOLDING PUSH HANDLE ADJ 15W x 12H	USED W/ 12" & 13" FIXED/ 12 -16" ADJ (5 STRAPS)
1	687476	UPH FOLDING PUSH HANDLE ADJ 15W x 14H	USED W/ 14" & 15" FIXED/ 14 -18" ADJ (6 STRAPS)
1	687477	UPH FOLDING PUSH HANDLE ADJ 15W x 16H	USED W/ 16 -20" ADJ BACK HGTS (7 STRAPS)
1	687478	UPH FOLDING PUSH HANDLE ADJ 16W x 10H	USED W/ 10" & 11" BACK HGTS (4 STRAPS)
1	687480	UPH FOLDING PUSH HANDLE ADJ 16W x 12H	USED W/ 12" & 13" FIXED/ 12 -16" ADJ (5 STRAPS)
1	687482	UPH FOLDING PUSH HANDLE ADJ 16W x 14H	USED W/ 14" & 15" FIXED/ 14 -18" ADJ (6 STRAPS)
1	687483	UPH FOLDING PUSH HANDLE ADJ 16W x 16H	USED W/ 16 -20" ADJ BACK HGTS (7 STRAPS)
1	687484	UPH FOLDING PUSH HANDLE ADJ 17W x 10H	USED W/ 10" & 11" BACK HGTS (4 STRAPS)
1	687486	UPH FOLDING PUSH HANDLE ADJ 17W x 12H	USED W/ 12" & 13" FIXED/ 12 -16" ADJ (5 STRAPS)

Pos.	Item Number	Description	Remarks
1	687488	UPH FOLDING PUSH HANDLE ADJ 17W x 14H	USED W/ 14" & 15" FIXED/ 14 -18" ADJ (6 STRAPS)
1	687489	UPH FOLDING PUSH HANDLE ADJ 17W x 16H	USED W/ 16 -20" ADJ BACK HGTS (7 STRAPS)
1	687490	UPH FOLDING PUSH HANDLE ADJ 18W x 10H	USED W/ 10" & 11" BACK HGTS (4 STRAPS)
1	687492	UPH FOLDING PUSH HANDLE ADJ 18W x 12H	USED W/ 12" & 13" FIXED/ 12 -16" ADJ (5 STRAPS)
1	687494	UPH FOLDING PUSH HANDLE ADJ 18W x 14H	USED W/ 14" & 15" FIXED/ 14 -18" ADJ (6 STRAPS)
1	687495	UPH FOLDING PUSH HANDLE ADJ 18W x 16H	USED W/ 16 -20" ADJ BACK HGTS (7 STRAPS)
1	687540	UPHOLSTRY FPH ADJ CE 19W X 10H	USED W/ 10" & 11" BACK HGTS (4 STRAPS)
1	687541	UPHOLSTRY FPH ADJ CE 19W X 12H	USED W/ 12" & 13" FIXED/ 12 -16" ADJ (5 STRAPS)
1	687542	UPHOLSTRY FPH ADJ CE 19W X 14H	USED W/ 14" & 15" FIXED/ 14 -18" ADJ (6 STRAPS)
1	687543	UPHOLSTRY FPH ADJ CE 19W X 16H	USED W/ 16 -20" ADJ BACK HGTS (7 STRAPS)
1	687544	UPHOLSTRY FPH ADJ CE 20W X 10H	USED W/ 10" & 11" BACK HGTS (4 STRAPS)
1	687545	UPHOLSTRY FPH ADJ CE 20W X 12H	USED W/ 12" & 13" FIXED/ 12 -16" ADJ (5 STRAPS)
1	687546	UPHOLSTRY FPH ADJ CE 20W X 14H	USED W/ 14" & 15" FIXED/ 14 -18" ADJ (6 STRAPS)
1	687547	UPHOLSTRY FPH ADJ CE 20W X 16H	USED W/ 16 -20" ADJ BACK HGTS (7 STRAPS)



Pos.	Item Number	Description	Remarks
1	052430-001	UPH, VNTD ADJ.,BP,12W x 10"-14"H	
1	052430-002	UPH, VNTD ADJ.,BP,12W x 12"-16"H	
1	052430-003	UPH, VNTD ADJ.,BP,12W x 14"-18"H	
1	052430-004	UPH, VNTD ADJ.,BP,12W x 16"-20"H	
1	052430-005	UPH, VNTD ADJ.,BP,13W x 10"-14"H	
1	052430-006	UPH, VNTD ADJ.,BP,13W x 12"-16"H	
1	052430-007	UPH, VNTD ADJ.,BP,13W x 14"-18"H	
1	052430-008	UPH, VNTD ADJ.,BP,13W x 16"-20"H	
1	052430-009	UPH, VNTD ADJ.,BP,14W x 10"-14"H	
1	052430-010	UPH, VNTD ADJ.,BP,14W x 12"-16"H	
1	052430-011	UPH, VNTD ADJ.,BP,14W x 14"-18"H	
1	052430-012	UPH, VNTD ADJ.,BP,14W x 16"-20"H	
1	052430-013	UPH, VNTD ADJ.,BP,15W x 10"-14"H	
1	052430-014	UPH, VNTD ADJ.,BP,15W x 12"-16"H	
1	052430-015	UPH, VNTD ADJ.,BP,15W x 14"-18"H	
1	052430-016	UPH, VNTD ADJ.,BP,15W x 16"-20"H	
1	052430-017	UPH, VNTD ADJ.,BP,16W x 10"-14"H	
1	052430-018	UPH, VNTD ADJ.,BP,16W x 12"-16"H	
1	052430-019	UPH, VNTD ADJ.,BP,16W x 14"-18"H	
1	052430-020	UPH, VNTD ADJ.,BP,16W x 16"-20"H	

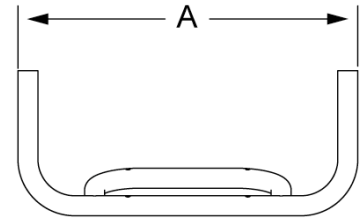
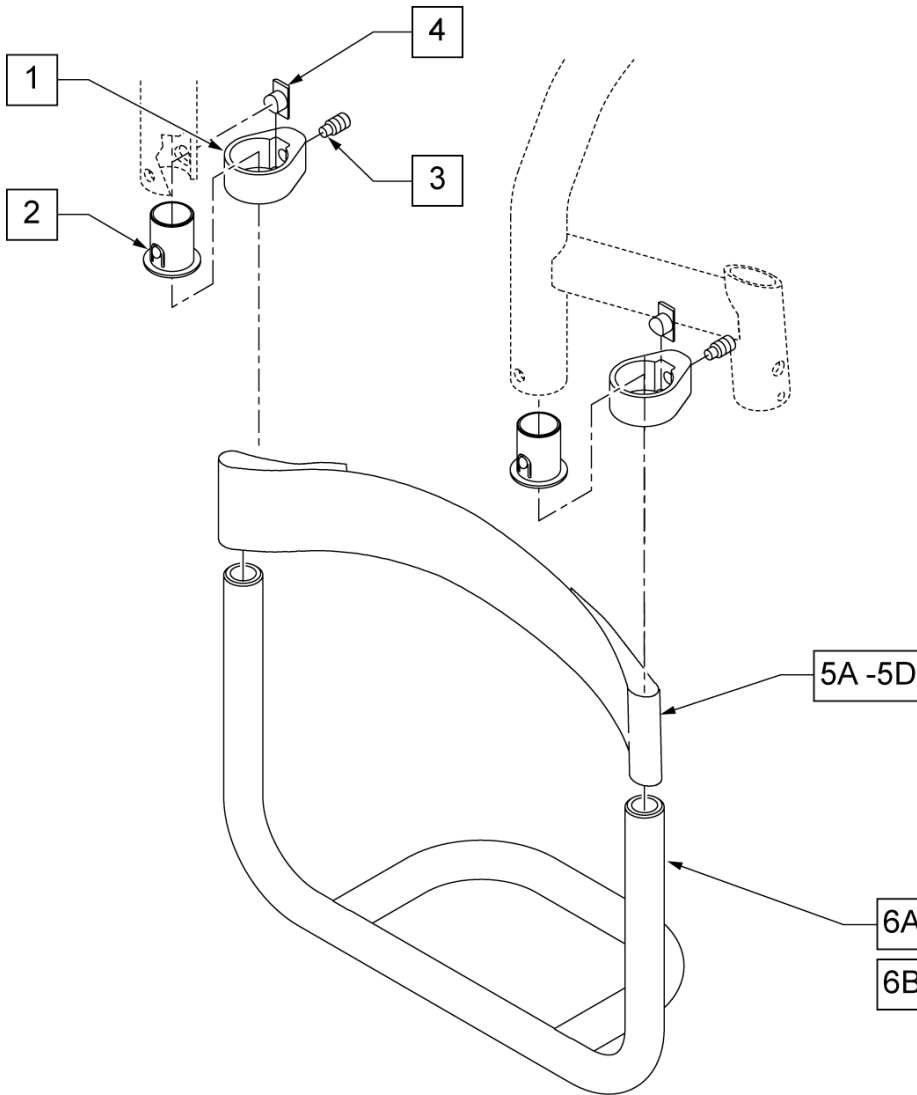
Pos.	Item Number	Description	Remarks
1	052430-021	UPH, VNTD ADJ.,BP,17W x 10"-14"H	
1	052430-022	UPH, VNTD ADJ.,BP,17W x 12"-16"H	
1	052430-023	UPH, VNTD ADJ.,BP,17W x 14"-18"H	
1	052430-024	UPH, VNTD ADJ.,BP,17W x 16"-20"H	
1	052430-025	UPH, VNTD ADJ.,BP,18W x 10"-14"H	
1	052430-026	UPH, VNTD ADJ.,BP,18W x 12"-16"H	
1	052430-027	UPH, VNTD ADJ.,BP,18W x 14"-18"H	
1	052430-028	UPH, VNTD ADJ.,BP,18W x 16"-20"H	
1	052430-029	UPH, VNTD ADJ.,BP,19W x 10"-14"H	
1	052430-030	UPH, VNTD ADJ.,BP,19W x 12"-16"H	
1	052430-031	UPH, VNTD ADJ.,BP,19W x 14"-18"H	
1	052430-032	UPH, VNTD ADJ.,BP,19W x 16"-20"H	
1	052430-033	UPH, VNTD ADJ.,BP,20W x 10"-14"H	
1	052430-034	UPH, VNTD ADJ.,BP,20W x 12"-16"H	
1	052430-035	UPH, VNTD ADJ.,BP,20W x 14"-18"H	
1	052430-036	UPH, VNTD ADJ.,BP,20W x 16"-20"H	
2	052435-001	UPH, VNTD ADJ.,FHP STRP,12-13" W	
2	052435-002	UPH, VNTD ADJ.,FHP STRP,14-15" W	
2	052435-003	UPH, VNTD ADJ.,FHP STRP,16-17" W	
2	052435-004	UPH, VNTD ADJ.,FHP STRP,18-20" W	
3	052433-001	UPH, VNTD ADJ.,2S,W/G,12-13" W	
3	052433-002	UPH, VNTD ADJ.,2S,W/G,14-15" W	
3	052433-003	UPH, VNTD ADJ.,2S,W/G,16-17" W	
3	052433-004	UPH, VNTD ADJ.,2S,W/G,18-20" W	
4	052431-001	UPH, VNTD ADJ.,3S,W/G,12-13" W	
4	052431-002	UPH, VNTD ADJ.,3S,W/G,14-15" W	
4	052431-003	UPH, VNTD ADJ.,3S,W/G,16-17" W	
4	052431-004	UPH, VNTD ADJ.,3S,W/G,18-20" W	
5*	100870	VELCRO, 2 SIDDED ADAPTER, 6'	
6	115285	TOP CAP, STD, 9-10	Used for omit push handle & Integral Push Handle only
6	113712	TOP CAP, STD, 11-12	Used for omit push handle & Integral Push Handle only
6	113713	TOP CAP, STD, 13-14	Used for omit push handle & Integral Push Handle only
6	113714	TOP CAP, STD, 15-16	Used for omit push handle & Integral Push Handle only
7	107384	PAN HEAD PHIL 10-32 X 5/8 ROHS	Used for omit push handle & Integral Push Handle only
1-4	103473-001	VENTED UPH INT/NO PH 12" W 10 -14" TALL	
1-4	103473-002	VENTED UPH INT/NO PH 13" W 10 -14" TALL	
1-4	103473-003	VENTED UPH INT/NO PH 14" W 10 -14" TALL	
1-4	103473-004	VENTED UPH INT/NO PH 15" W 10 -14" TALL	
1-4	103473-005	VENTED UPH INT/NO PH 16" W 10 -14" TALL	
1-4	103473-006	VENTED UPH INT/NO PH 17" W 10 -14" TALL	
1-4	103473-007	VENTED UPH INT/NO PH 18" W 10 -14" TALL	
1-4	103473-008	VENTED UPH INT/NO PH 19" W 10 -14" TALL	
1-4	103473-009	VENTED UPH INT/NO PH 20" W 10 -14" TALL	
1-4	103473-010	VENTED UPH INT/NO PH 12" W 12 -16" TALL	
1-4	103473-011	VENTED UPH INT/NO PH 13" W 12 -16" TALL	
1-4	103473-012	VENTED UPH INT/NO PH 14" W 12 -16" TALL	
1-4	103473-013	VENTED UPH INT/NO PH 15" W 12 -16" TALL	
1-4	103473-014	VENTED UPH INT/NO PH 16" W 12 -16" TALL	
1-4	103473-015	VENTED UPH INT/NO PH 17" W 12 -16" TALL	
1-4	103473-016	VENTED UPH INT/NO PH 18" W 12 -16" TALL	
1-4	103473-017	VENTED UPH INT/NO PH 19" W 12 -16" TALL	
1-4	103473-018	VENTED UPH INT/NO PH 20" W 12 -16" TALL	
1-4	103473-019	VENTED UPH INT/NO PH 12" W 14 -18" TALL	
1-4	103473-020	VENTED UPH INT/NO PH 13" W 14 -18" TALL	
1-4	103473-021	VENTED UPH INT/NO PH 14" W 14 -18" TALL	
1-4	103473-022	VENTED UPH INT/NO PH 15" W 14 -18" TALL	
1-4	103473-023	VENTED UPH INT/NO PH 16" W 14 -18" TALL	

Pos.	Item Number	Description	Remarks
1-4	103473-024	VENTED UPH INT/NO PH 17" W 14 -18" TALL	
1-4	103473-025	VENTED UPH INT/NO PH 18" W 14 -18" TALL	
1-4	103473-026	VENTED UPH INT/NO PH 19" W 14 -18" TALL	
1-4	103473-027	VENTED UPH INT/NO PH 20" W 14 -18" TALL	
1-4	103473-028	VENTED UPH INT/NO PH 12" W 16 -20" TALL	
1-4	103473-029	VENTED UPH INT/NO PH 13" W 16 -20" TALL	
1-4	103473-030	VENTED UPH INT/NO PH 14" W 16 -20" TALL	
1-4	103473-031	VENTED UPH INT/NO PH 15" W 16 -20" TALL	
1-4	103473-032	VENTED UPH INT/NO PH 16" W 16 -20" TALL	
1-4	103473-033	VENTED UPH INT/NO PH 17" W 16 -20" TALL	
1-4	103473-034	VENTED UPH INT/NO PH 18" W 16 -20" TALL	
1-4	103473-035	VENTED UPH INT/NO PH 19" W 16 -20" TALL	
1-4	103473-036	VENTED UPH INT/NO PH 20" W 16 -20" TALL	
1-4	103476-001	VNTUPH FOLDING PH 12W 12-16T	
1-4	103476-002	VNTUPH FOLDING PH 13W 12-16T	
1-4	103476-003	VNTUPH FOLDING PH 14W 12-16T	
1-4	103476-004	VNTUPH FOLDING PH 15W 12-16T	
1-4	103476-005	VNTUPH FOLDING PH 16W 12-16T	
1-4	103476-006	VNTUPH FOLDING PH 17W 12-16T	
1-4	103476-007	VNTUPH FOLDING PH 18W 12-16T	
1-4	103476-008	VNTUPH FOLDING PH 19W 12-16T	
1-4	103476-009	VNTUPH FOLDING PH 20W 12-16T	
1-4	103476-010	VNTUPH FOLDING PH 12W 14-18T	
1-4	103476-011	VNTUPH FOLDING PH 13W 14-18T	
1-4	103476-012	VNTUPH FOLDING PH 14W 14-18T	
1-4	103476-013	VNTUPH FOLDING PH 15W 14-18T	
1-4	103476-014	VNTUPH FOLDING PH 16W 14-18T	
1-4	103476-015	VNTUPH FOLDING PH 17W 14-18T	
1-4	103476-016	VNTUPH FOLDING PH 18W 14-18T	
1-4	103476-017	VNTUPH FOLDING PH 19W 14-18T	
1-4	103476-018	VNTUPH FOLDING PH 20W 14-18T	
1-4	103476-019	VNTUPH FOLDING PH 12W 16-20T	
1-4	103476-020	VNTUPH FOLDING PH 13W 16-20T	
1-4	103476-021	VNTUPH FOLDING PH 14W 16-20T	
1-4	103476-022	VNTUPH FOLDING PH 15W 16-20T	
1-4	103476-023	VNTUPH FOLDING PH 16W 16-20T	
1-4	103476-024	VNTUPH FOLDING PH 17W 16-20T	
1-4	103476-025	VNTUPH FOLDING PH 18W 16-20T	
1-4	103476-026	VNTUPH FOLDING PH 19W 16-20T	
1-4	103478-001	VNTUPH FXD BK FLDG PH 12W 13T	
1-4	103478-002	VNTUPH FXD BK FLDG PH 13W 13T	
1-4	103478-003	VNTUPH FXD BK FLDG PH 14W 13T	
1-4	103478-004	VNTUPH FXD BK FLDG PH 15W 13T	
1-4	103478-005	VNTUPH FXD BK FLDG PH 16W 13T	
1-4	103478-006	VNTUPH FXD BK FLDG PH 17W 13T	
1-4	103478-007	VNTUPH FXD BK FLDG PH 18W 13T	
1-4	103478-008	VNTUPH FXD BK FLDG PH 19W 13T	
1-4	103478-009	VNTUPH FXD BK FLDG PH 20W 13T	
1-4	103478-010	VNTUPH FXD BK FLDG PH 12W 14T	
1-4	103478-011	VNTUPH FXD BK FLDG PH 13W 14T	
1-4	103478-012	VNTUPH FXD BK FLDG PH 14W 14T	
1-4	103478-013	VNTUPH FXD BK FLDG PH 15W 14T	
1-4	103478-014	VNTUPH FXD BK FLDG PH 16W 14T	
1-4	103478-015	VNTUPH FXD BK FLDG PH 17W 14T	
1-4	103478-016	VNTUPH FXD BK FLDG PH 18W 14T	
1-4	103478-017	VNTUPH FXD BK FLDG PH 19W 14T	
1-4	103478-018	VNTUPH FXD BK FLDG PH 20W 14T	

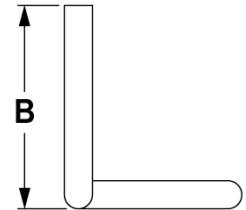
Pos.	Item Number	Description	Remarks
1-4	103478-019	VNTUPH FXD BK FLDG PH 12W 15T	
1-4	103478-020	VNTUPH FXD BK FLDG PH 13W 15T	
1-4	103478-021	VNTUPH FXD BK FLDG PH 14W 15T	
1-4	103478-022	VNTUPH FXD BK FLDG PH 15W 15T	
1-4	103478-023	VNTUPH FXD BK FLDG PH 16W 15T	
1-4	103478-024	VNTUPH FXD BK FLDG PH 17W 15T	
1-4	103478-025	VNTUPH FXD BK FLDG PH 18W 15T	
1-4	103478-026	VNTUPH FXD BK FLDG PH 19W 15T	
1-4	103478-027	VNTUPH FXD BK FLDG PH 20W 15T	
1-4	103478-028	VNTUPH FXD BK FLDG PH 12W 16T	
1-4	103478-029	VNTUPH FXD BK FLDG PH 13W 16T	
1-4	103478-030	VNTUPH FXD BK FLDG PH 14W 16T	
1-4	103478-031	VNTUPH FXD BK FLDG PH 15W 16T	
1-4	103478-032	VNTUPH FXD BK FLDG PH 16W 16T	
1-4	103478-033	VNTUPH FXD BK FLDG PH 17W 16T	
1-4	103478-034	VNTUPH FXD BK FLDG PH 18W 16T	
1-4	103478-035	VNTUPH FXD BK FLDG PH 19W 16T	
1-4	103478-036	VNTUPH FXD BK FLDG PH 20W 16T	
1-4	103478-037	VNTUPH FXD BK FLDG PH 12W 17T	
1-4	103478-038	VNTUPH FXD BK FLDG PH 13W 17T	
1-4	103478-039	VNTUPH FXD BK FLDG PH 14W 17T	
1-4	103478-040	VNTUPH FXD BK FLDG PH 15W 17T	
1-4	103478-041	VNTUPH FXD BK FLDG PH 16W 17T	
1-4	103478-042	VNTUPH FXD BK FLDG PH 17W 17T	
1-4	103478-043	VNTUPH FXD BK FLDG PH 18W 17T	
1-4	103478-044	VNTUPH FXD BK FLDG PH 19W 17T	
1-4	103478-045	VNTUPH FXD BK FLDG PH 20W 17T	
1-4	103478-046	VNTUPH FXD BK FLDG PH 12W 18T	
1-4	103478-047	VNTUPH FXD BK FLDG PH 13W 18T	
1-4	103478-048	VNTUPH FXD BK FLDG PH 14W 18T	
1-4	103478-049	VNTUPH FXD BK FLDG PH 15W 18T	
1-4	103478-050	VNTUPH FXD BK FLDG PH 16W 18T	
1-4	103478-051	VNTUPH FXD BK FLDG PH 17W 18T	
1-4	103478-052	VNTUPH FXD BK FLDG PH 18W 18T	
1-4	103478-053	VNTUPH FXD BK FLDG PH 19W 18T	
1-4	103478-054	VNTUPH FXD BK FLDG PH 20W 18T	
1-4	103478-055	VNTUPH FXD BK FLDG PH 12W 19T	
1-4	103478-056	VNTUPH FXD BK FLDG PH 13W 19T	
1-4	103478-057	VNTUPH FXD BK FLDG PH 14W 19T	
1-4	103478-058	VNTUPH FXD BK FLDG PH 15W 19T	
1-4	103478-059	VNTUPH FXD BK FLDG PH 16W 19T	
1-4	103478-060	VNTUPH FXD BK FLDG PH 17W 19T	
1-4	103478-061	VNTUPH FXD BK FLDG PH 18W 19T	
1-4	103478-062	VNTUPH FXD BK FLDG PH 19W 19T	
1-4	103478-063	VNTUPH FXD BK FLDG PH 20W 19T	
1-4	103476-027	VNTUPH FOLDING PH 20W 16-20T	
1-7	103477-001	VNTUPH FXD BK NO PH 12W 10T	
1-7	103477-002	VNTUPH FXD BK NO PH 13W 10T	
1-7	103477-003	VNTUPH FXD BK NO PH 14W 10T	
1-7	103477-004	VNTUPH FXD BK NO PH 15W 10T	
1-7	103477-005	VNTUPH FXD BK NO PH 16W 10T	
1-7	103477-006	VNTUPH FXD BK NO PH 17W 10T	
1-7	103477-007	VNTUPH FXD BK NO PH 18W 10T	
1-7	103477-008	VNTUPH FXD BK NO PH 19W 10T	
1-7	103477-009	VNTUPH FXD BK NO PH 20W 10T	
1-7	103477-010	VNTUPH FXD BK NO PH 12W 11T	
1-7	103477-011	VNTUPH FXD BK NO PH 13W 11T	



Pos.	Item Number	Description	Remarks
1-7	103477-012	VNTUPH FXD BK NO PH 14W 11T	
1-7	103477-013	VNTUPH FXD BK NO PH 15W 11T	
1-7	103477-014	VNTUPH FXD BK NO PH 16W 11T	
1-7	103477-015	VNTUPH FXD BK NO PH 17W 11T	
1-7	103477-016	VNTUPH FXD BK NO PH 18W 11T	
1-7	103477-017	VNTUPH FXD BK NO PH 19W 11T	
1-7	103477-018	VNTUPH FXD BK NO PH 20W 11T	
1-7	103477-019	VNTUPH FXD BK NO PH 12W 12T	
1-7	103477-020	VNTUPH FXD BK NO PH 13W 12T	
1-7	103477-021	VNTUPH FXD BK NO PH 14W 12T	
1-7	103477-022	VNTUPH FXD BK NO PH 15W 12T	
1-7	103477-023	VNTUPH FXD BK NO PH 16W 12T	
1-7	103477-024	VNTUPH FXD BK NO PH 17W 12T	
1-7	103477-025	VNTUPH FXD BK NO PH 18W 12T	
1-7	103477-026	VNTUPH FXD BK NO PH 19W 12T	
1-7	103477-027	VNTUPH FXD BK NO PH 20W 12T	
1-7	103477-028	VNTUPH FXD BK NO PH 12W 13T	
1-7	103477-029	VNTUPH FXD BK NO PH 13W 13T	
1-7	103477-030	VNTUPH FXD BK NO PH 14W 13T	
1-7	103477-031	VNTUPH FXD BK NO PH 15W 13T	
1-7	103477-032	VNTUPH FXD BK NO PH 16W 13T	
1-7	103477-033	VNTUPH FXD BK NO PH 17W 13T	
1-7	103477-034	VNTUPH FXD BK NO PH 18W 13T	
1-7	103477-035	VNTUPH FXD BK NO PH 19W 13T	
1-7	103477-036	VNTUPH FXD BK NO PH 20W 13T	
1-7	103477-037	VNTUPH FXD BK NO PH 12W 14T	
1-7	103477-038	VNTUPH FXD BK NO PH 13W 14T	
1-7	103477-039	VNTUPH FXD BK NO PH 14W 14T	
1-7	103477-040	VNTUPH FXD BK NO PH 15W 14T	
1-7	103477-041	VNTUPH FXD BK NO PH 16W 14T	
1-7	103477-042	VNTUPH FXD BK NO PH 17W 14T	
1-7	103477-043	VNTUPH FXD BK NO PH 18W 14T	
1-7	103477-044	VNTUPH FXD BK NO PH 19W 14T	
1-7	103477-045	VNTUPH FXD BK NO PH 20W 14T	
1-7	103477-046	VNTUPH FXD BK NO PH 12W 15T	
1-7	103477-047	VNTUPH FXD BK NO PH 13W 15T	
1-7	103477-048	VNTUPH FXD BK NO PH 14W 15T	
1-7	103477-049	VNTUPH FXD BK NO PH 15W 15T	
1-7	103477-050	VNTUPH FXD BK NO PH 16W 15T	
1-7	103477-051	VNTUPH FXD BK NO PH 17W 15T	
1-7	103477-052	VNTUPH FXD BK NO PH 18W 15T	
1-7	103477-053	VNTUPH FXD BK NO PH 19W 15T	
1-7	103477-054	VNTUPH FXD BK NO PH 20W 15T	
1-7	103477-055	VNTUPH FXD BK NO PH 12W 16T	
1-7	103477-056	VNTUPH FXD BK NO PH 13W 16T	
1-7	103477-057	VNTUPH FXD BK NO PH 14W 16T	
1-7	103477-058	VNTUPH FXD BK NO PH 15W 16T	
1-7	103477-059	VNTUPH FXD BK NO PH 16W 16T	
1-7	103477-060	VNTUPH FXD BK NO PH 17W 16T	
1-7	103477-061	VNTUPH FXD BK NO PH 18W 16T	
1-7	103477-062	VNTUPH FXD BK NO PH 19W 16T	
1-7	103477-063	VNTUPH FXD BK NO PH 20W 16T	



DIM "A"	DESCRIPTION	LEG STRAP
10 5/8"	11W	109356
11 5/8"	12W	109356
12 5/8"	13W	109356
13 5/8"	14W	109356
14 5/8"	15W	109357
15 5/8"	16W	109367
16 5/8"	17W	109367
17 5/8"	18W	109367
18 5/8"	19W	109366
19 5/8"	20W	109366

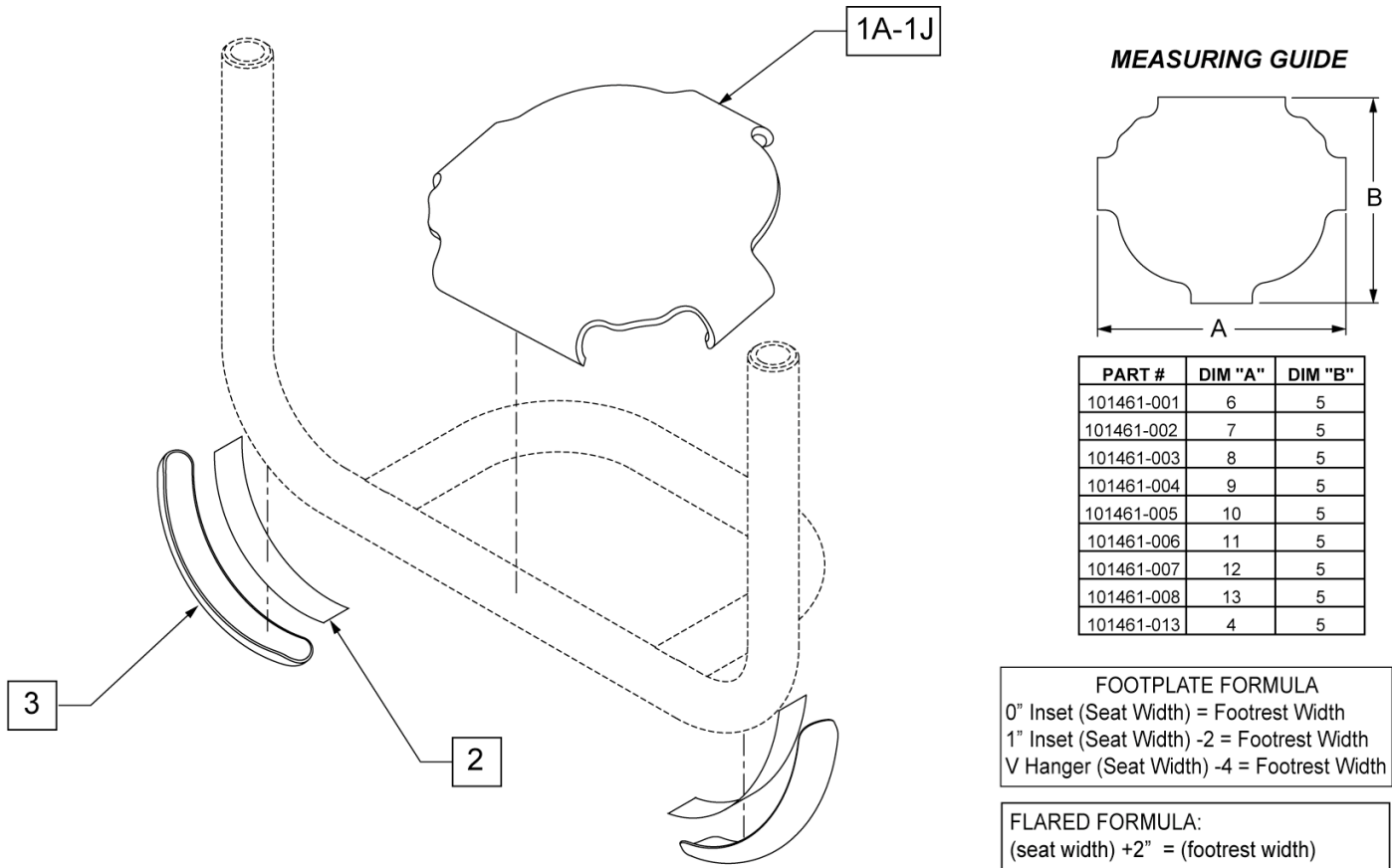


DESCRIPTION	DIM "B"
STD	6 5/8"
LONG	8 7/8"

Inset formula:  
 0" inset: (seat width) = (footrest width)  
 1" inset: (seat width) - 2" = (footrest width)  
 2" inset: (seat width) - 4" = (footrest width)

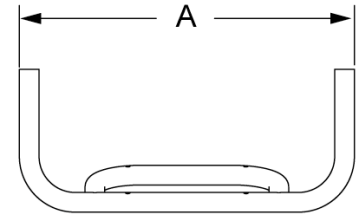
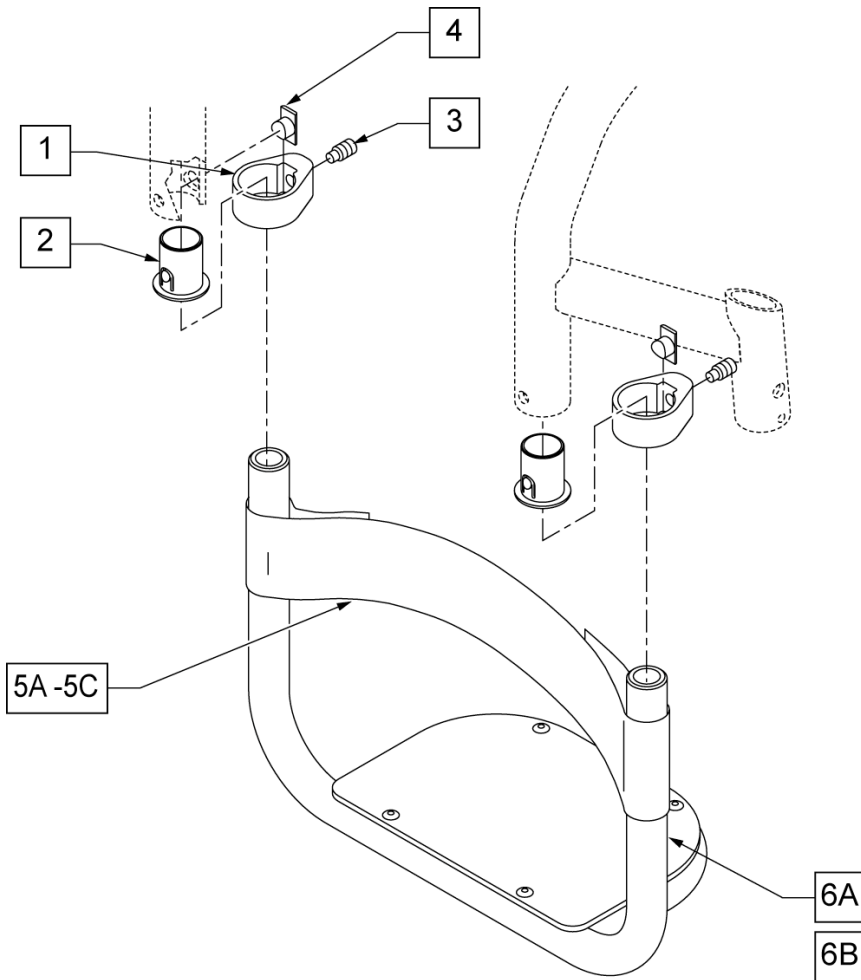
Pos.	Item Number	Description	Pos.	Item Number	Description
1	050025	CLAMP FOOTREST	6A	050021-013	FTRST TBLR ALUM STD 17"
2	050026	BUSHING FOOTREST	6A	050021-015	FTRST TBLR ALUM STD 18"
3	050132	SET SCREW M8 X 16 DOG PT	6A	050021-017	FTRST TBLR ALUM STD 19"
4	050052	KEY CLAMP FOOTREST	6A	050021-019	FTRST TBLR ALUM STD 20"
5A	109356	LEG STRAP 11 -12" BLK	6B	050021-002	FTRST TBLR ALUM LNG 11"
5B	109357	LEG STRAP 13 -15" BLK	6B	050021-004	FTRST TBLR ALUM LNG 12"
5C	109366	LEG STRAP 16 -18" BLK	6B	050021-006	FTRST TBLR ALUM LNG 13"
5D	109487	LEG STRAP 19 -20" BLK	6B	050021-008	FTRST TBLR ALUM LNG 14"
6A	050021-001	FTRST TBLR ALUM STD 11"	6B	050021-010	FTRST TBLR ALUM LNG 15"
6A	050021-003	FTRST TBLR ALUM STD 12"	6B	050021-012	FTRST TBLR ALUM LNG 16"
6A	050021-005	FTRST TBLR ALUM STD 13"	6B	050021-014	FTRST TBLR ALUM LNG 17"
6A	050021-007	FTRST TBLR ALUM STD 14"	6B	050021-016	FTRST TBLR ALUM LNG 18"
6A	050021-009	FTRST TBLR ALUM STD 15"	6B	050021-018	FTRST TBLR ALUM LNG 19"
6A	050021-011	FTRST TBLR ALUM STD 16"	6B	050021-020	FTRST TBLR ALUM LNG 20"

Note: in order for wear pads to properly bond to the footrest tubes, secure with cable ties for 24 hours after adhering.

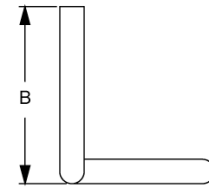


	DIM A	8 5/8	10 5/8	11 5/8	12 5/8	13 5/8	14 5/8	15 5/8	16 5/8	17 5/8	18 5/8	19 5/8
CHAIR	SIZE	8w & 9w	10 & 11 w	12 w	13 w	14 w	15 w	16 w	17 w	18 w	19 w	20 w
GT		N/A	101461-002	101461-002	101461-002	101461-004	101461-004	101461-006	101461-006	101461-008	101461-008	101461-008
GTX		N/A	N/A	101461-002	101461-002	101461-002	101461-004	101461-004	101461-006	101461-006	101461-008	101461-008
GTI		N/A	101461-001	101461-002	101461-003	101461-004	101461-005	101461-006	101461-007	101461-008	101461-008	101461-008
Q7		N/A	101461-001	101461-002	101461-003	101461-004	101461-005	101461-006	101461-007	101461-008	101461-008	101461-008
ZIPPIE ZONE		101461-013	101461-001	101461-002	101461-003	101461-004	101461-005	101461-006	101461-007	101461-008	N/A	N/A

Pos.	Item Number	Description	Remarks
1A	101461-013	COVER FOOTREST SNAP ON 9W	
1B	101461-001	COVER FOOTREST SNAP-ON 11" W	
1C	101461-002	COVER FOOTREST SNAP-ON 12" W	
1D	101461-003	COVER FOOTREST SNAP-ON 13" W	
1E	101461-004	COVER FOOTREST SNAP-ON 14" W	
1F	101461-005	COVER FOOTREST SNAP-ON 15" W	
1G	101461-006	COVER FOOTREST SNAP-ON 16" W	
1H	101461-007	COVER FOOTREST SNAP-ON 17" W	
1J	101461-008	COVER FOOTREST SNAP-ON 18" W	
2,3	103107	WEAR PAD W/ ADHESIVE	Includes cable ties



DIM "A"	DESCRIPTION	LEG STRAP
10 5/8"	11W	109356
11 5/8"	12W	109356
12 5/8"	13W	109356
13 5/8"	14W	109356
14 5/8"	15W	109357
15 5/8"	16W	109367
16 5/8"	17W	109367
17 5/8"	18W	109367
18 5/8"	19W	109366
19 5/8"	20W	109366

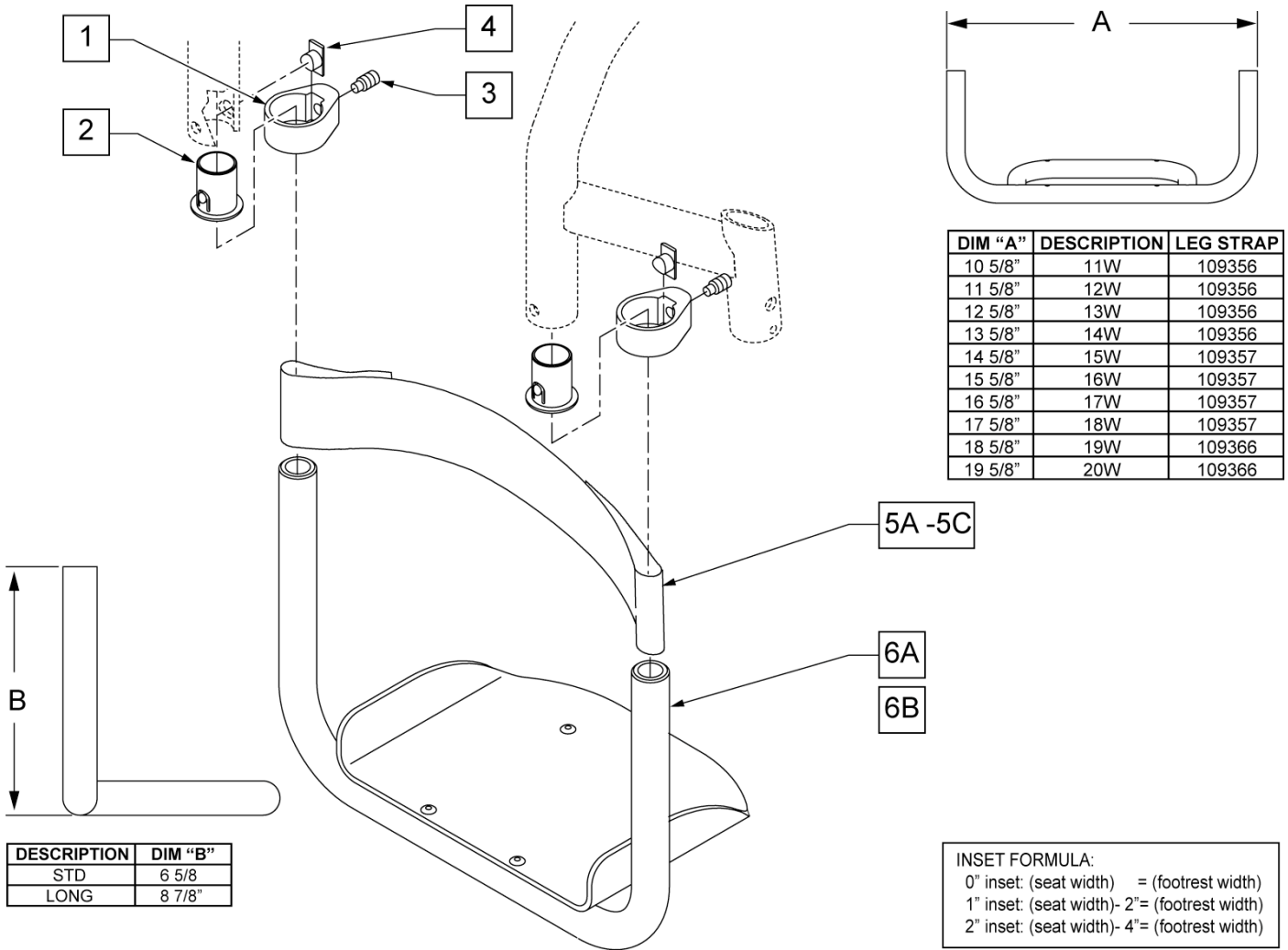


DESCRIPTION	DIM "B"
STD	6 5/8"
LONG	8 7/8"

INSET FORMULA:  
 0" inset: (seat width) = (footrest width)  
 1" inset: (seat width)- 2"= (footrest width)  
 2" inset: (seat width)- 4"= (footrest width)

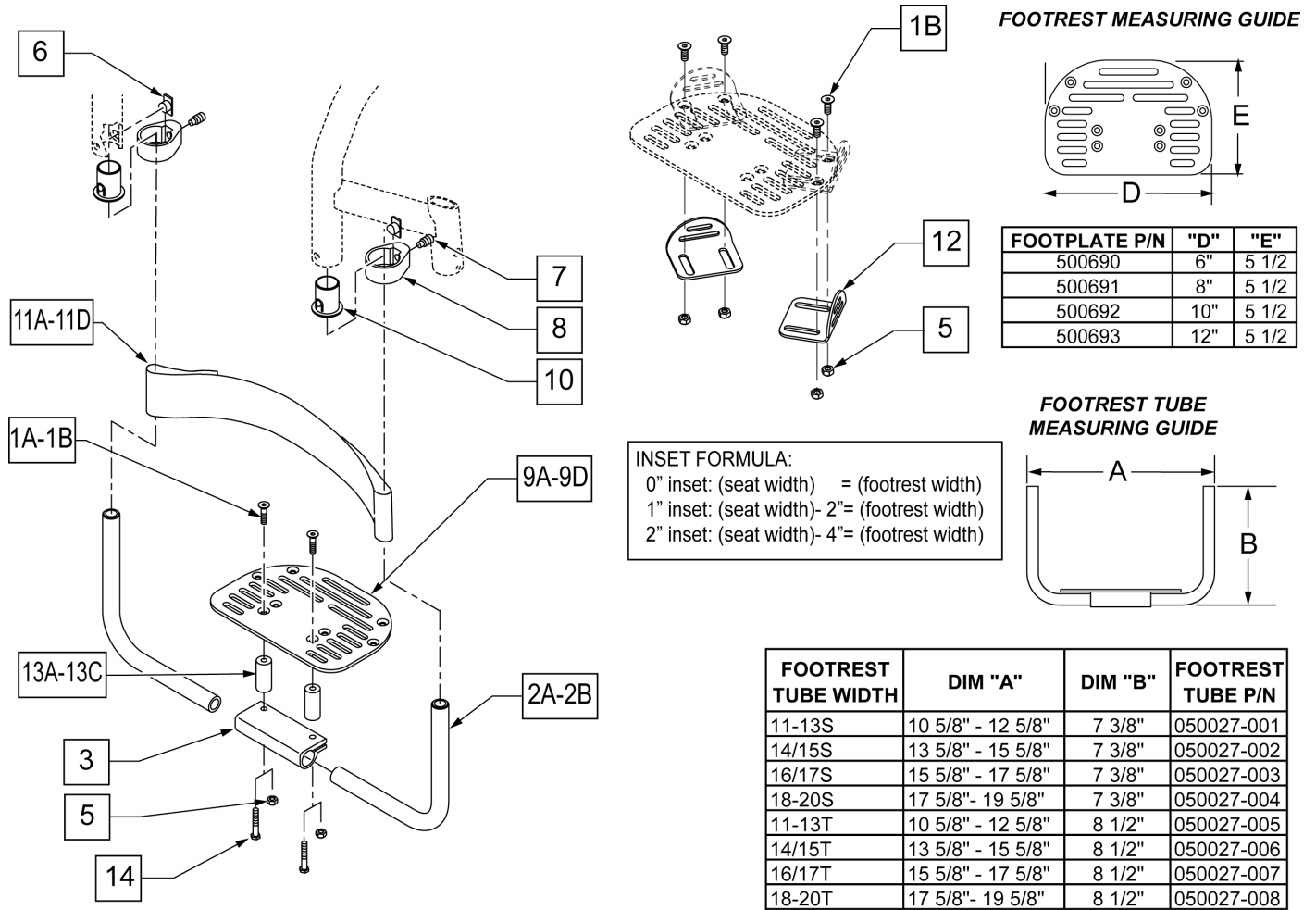
Pos.	Item Number	Description	Pos.	Item Number	Description
1	050025	CLAMP FOOTREST	6A	050024-015	FTRST ALUM FLAT CVR STD 18"
2	050026	BUSHING FOOTREST	6A	050024-017	FTRST ALUM FLAT CVR STD 19"
3	050132	SET SCREW M8 X 16 DOG PT	6A	050024-019	FTRST ALUM FLAT CVR STD 20"
4	050052	KEY CLAMP FOOTREST	6B	050024-002	FTRST ALUM FLAT CVR LNG 11"
5A	109356	LEG STRAP 11 -12" BLK	6B	050024-004	FTRST ALUM FLAT CVR LNG 12"
5B	109357	LEG STRAP 13 -15" BLK	6B	050024-006	FTRST ALUM FLAT CVR LNG 13"
5C	109366	LEG STRAP 16 -18" BLK	6B	050024-008	FTRST ALUM FLAT CVR LNG 14"
6A	050024-001	FTRST ALUM FLAT CVR STD 11"	6B	050024-010	FTRST ALUM FLAT CVR LNG 15"
6A	050024-003	FTRST ALUM FLAT CVR STD 12"	6B	050024-012	FTRST ALUM FLAT CVR LNG 16"
6A	050024-005	FTRST ALUM FLAT CVR STD 13"	6B	050024-014	FTRST ALUM FLAT CVR LNG 17"
6A	050024-007	FTRST ALUM FLAT CVR STD 14"	6B	050024-016	FTRST ALUM FLAT CVR LNG 18"
6A	050024-009	FTRST ALUM FLAT CVR STD 15"	6B	050024-018	FTRST ALUM FLAT CVR LNG 19"
6A	050024-011	FTRST ALUM FLAT CVR STD 16"	6B	050024-020	FTRST ALUM FLAT CVR LNG 20"
6A	050024-013	FTRST ALUM FLAT CVR STD 17"			

**TUBULAR FOOTREST WITH FLARED COVER**



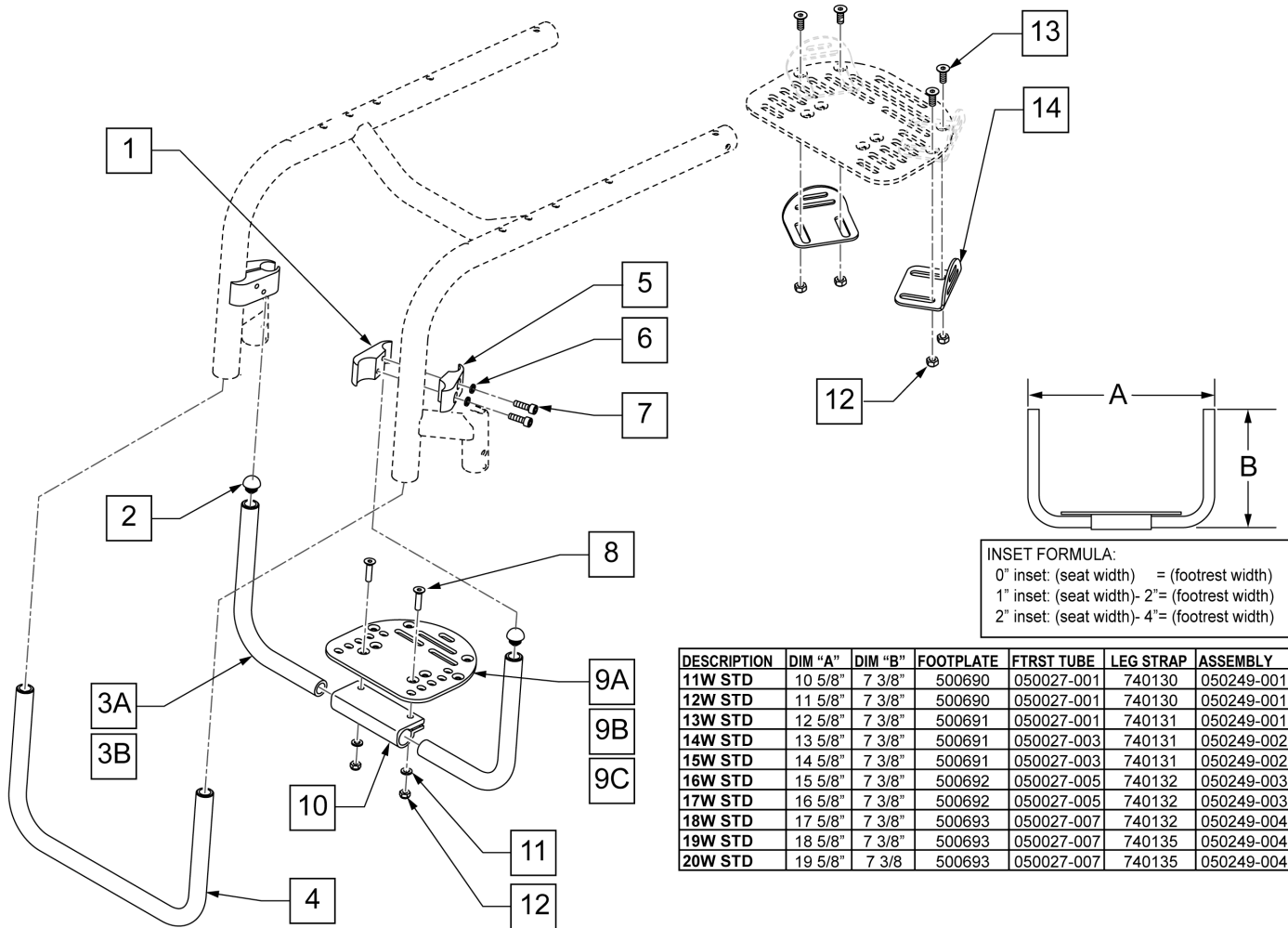
Pos.	Item Number	Description	Pos.	Item Number	Description
1	050025	CLAMP FOOTREST	6A	050270-015	FTRST ALM FLRD CVR 18W STD
2	050026	BUSHING FOOTREST	6A	050270-017	FTRST ALM FLRD CVR 19W STD
3	050132	SET SCREW M8 X 16 DOG PT	6A	050270-019	FTRST ALM FLRD CVR 20W STD
4	050052	KEY CLAMP FOOTREST	6B	050270-002	FTRST ALM FLRD CVR 11W LONG
5A	109356	LEG STRAP 11 -12" BLK	6B	050270-004	FTRST ALM FLRD CVR 12W LONG
5B	109357	LEG STRAP 13 -15" BLK	6B	050270-006	FTRST ALM FLRD CVR 13W LONG
5C	109366	LEG STRAP 16 -18" BLK	6B	050270-008	FTRST ALM FLRD CVR 14W LONG
6A	050270-001	FTRST ALM FLRD CVR 11W STD	6B	050270-010	FTRST ALM FLRD CVR 15W LONG
6A	050270-003	FTRST ALM FLRD CVR 12W STD	6B	050270-012	FTRST ALM FLRD CVR 16W LONG
6A	050270-005	FTRST ALM FLRD CVR 13W STD	6B	050270-014	FTRST ALM FLRD CVR 17W LONG
6A	050270-007	FTRST ALM FLRD CVR 14W STD	6B	050270-016	FTRST ALM FLRD CVR 18W LONG
6A	050270-009	FTRST ALM FLRD CVR 15W STD	6B	050270-018	FTRST ALM FLRD CVR 19W LONG
6A	050270-011	FTRST ALM FLRD CVR 16W STD	6B	050270-020	FTRST ALM FLRD CVR 20W LONG
6A	050270-013	FTRST ALM FLRD CVR 17W STD			

**Note:** Prior to 3/16/11 footplates were used w/o item 13D (561112) spacer and utilized smaller footplates. If replacing a footplate on a chair built after 3/16/11 items 1B and 13D should be ordered.



Pos.	Item Number	Description	Remarks
1A	102265-003	FHCS M6 X 1 X 16 INORGANIC	USED W/O ADAPTER SPACER
1B	103500-009	FHCSM6X1X30FULLNP	USED W/ ADAPTER SPACER
2	050027-001	TUBE FTRST PLTFRM 11-13 STD	
2	050027-002	TUBE FTRST PLTFRM 11-13 LNG	
2	050027-003	TUBE FTRST PLTFRM 14-16 STD	
2	050027-004	TUBE FTRST PLTFRM 14-16 LNG	
2	050027-005	TUBE FTRST PLTFRM 16-18 STD	
2	050027-006	TUBE FTRST PLTFRM 16-18 LNG	
2	050027-007	TUBE FTRST PLTFRM 18-20 STD	
2	050027-008	TUBE FTRST PLTFRM 18-20 LNG	
3	550351	PLATFORM FOOTPLATE CLAMP	
5	200113	NUT HEX NYLOCK M6 X 1	USED W/O ADAPTER SPACER
6	050052	KEY CLAMP FOOTREST	
7	102267	SET SCREW M8 X 16 DOG PT ORGA	
8	050025	CLAMP FOOTREST	
9	500690	NEW PLTFORM F/PLT 6X5.5	SEE NOTE
9	500691	NEW PLTFORM F/PLT 8X5.5	SEE NOTE

Pos.	Item Number	Description	Remarks
9	500692	NEW PLTFORM F/PLT 10X5.5	SEE NOTE
9	500693	NEW PLTFORM F/PLT 12X5.5	SEE NOTE
10	050026	BUSHING FOOTREST	
11	109356	LEG STRAP SOFT FEEL Q 12-14"	
11	109357	LEG STRAP SOFT FEEL Q 15-18	
11	109366	LEG STRAP SOFT FEEL Q 18-20	
12	050073	PLATE POSITIONING FOOT	
13A	050075-001	ADAPTIVE FT/RST SPCR 2" P/FRM	
13B	050075-002	ADAPTIVE FT/RST SPCR 4" P/FRM	
13C	050075-003	ADAPTIVE FT/RST SPCR 6" P/FRM	
13D	561112	3/4 OD X .318 ID X .25 NYLON	
14	102268-001	HHCS M6 X 1 X 25 INORGANIC	USED W/ ADAPTER SPACER
1B,5,12	050228	PLATE POSITIONING FOOT W/HDWR	
1-8	050249-001	ASSM TUBE FTRST PLTFRM 11-13S	ORDER FOOTPLATE SEPARATELY
1-8	050249-002	ASSM TUBE FTRST PLTFRM 14/15S	ORDER FOOTPLATE SEPARATELY
1-8	050249-003	ASSM TUBE FTRST PLTFRM 16/17S	ORDER FOOTPLATE SEPARATELY
1-8	050249-004	ASSM TUBE FTRST PLTFRM 18-20S	ORDER FOOTPLATE SEPARATELY
1-8	050250-001	ASSM TUBE FTRST PLTFRM 11-13T	ORDER FOOTPLATE SEPARATELY
1-8	050250-002	ASSM TUBE FTRST PLTFRM 14/15T	ORDER FOOTPLATE SEPARATELY
1-8	050250-003	ASSM TUBE FTRST PLTFRM 16/17T	ORDER FOOTPLATE SEPARATELY
1-8	050250-004	ASSM TUBE FTRST PLTFRM 18-20T	ORDER FOOTPLATE SEPARATELY



DESCRIPTION	DIM "A"	DIM "B"	FOOTPLATE	FTRST TUBE	LEG STRAP	ASSEMBLY
11W STD	10 5/8"	7 3/8"	500690	050027-001	740130	050249-001
12W STD	11 5/8"	7 3/8"	500690	050027-001	740130	050249-001
13W STD	12 5/8"	7 3/8"	500691	050027-001	740131	050249-001
14W STD	13 5/8"	7 3/8"	500691	050027-003	740131	050249-002
15W STD	14 5/8"	7 3/8"	500691	050027-003	740131	050249-002
16W STD	15 5/8"	7 3/8"	500692	050027-005	740132	050249-003
17W STD	16 5/8"	7 3/8"	500692	050027-005	740132	050249-003
18W STD	17 5/8"	7 3/8"	500693	050027-007	740132	050249-004
19W STD	18 5/8"	7 3/8"	500693	050027-007	740135	050249-004
20W STD	19 5/8"	7 3/8"	500693	050027-007	740135	050249-004

Pos.	Item Number	Description	Remarks
1	050121	CLAMP WHL LCK FEMALE	
2	482028	3/4" DOME PLUG .125	
3A	050027-001	TUBE FTRST PLTFRM 11 -13" STD	STANDARD
3A	050027-003	TUBE FTRST PLTFRM 14 -16" STD	STANDARD
3A	050027-005	TUBE FTRST PLTFRM 16 -18" STD	STANDARD
3A	050027-007	TUBE FTRST PLTFRM 18 -20" STD	STANDARD
3B	050027-002	TUBE FTRST PLTFRM 11 -13" LNG	LONG
3B	050027-004	TUBE FTRST PLTFRM 14 -16" LNG	LONG
3B	050027-006	TUBE FTRST PLTFRM 16 -18" LNG	LONG
3B	050027-008	TUBE FTRST PLTFRM 18 -20" LNG	LONG
4	050022-022	TUBE TOE FTRST ALM 12W STD BLK	
4	050022-023	TUBE TOE FTRST ALM 13W STD BLK	
4	050022-024	TUBE TOE FTRST ALM 14W STD BLK	
4	050022-025	TUBE TOE FTRST ALM 15W STD BLK	
4	050022-026	TUBE TOE FTRST ALM 16W STD BLK	
4	050022-027	TUBE TOE FTRST ALM 17W STD BLK	
4	050022-028	TUBE TOE FTRST ALM 18W STD BLK	
4	050022-029	TUBE TOE FTRST ALM 19W STD BLK	
4	050022-030	TUBE TOE FTRST ALM 20W STD BLK	
5	050120	CLAMP WHL LOCK MALE	
6	050129-001	LOCKWASHER HIGH COLLAR M6	



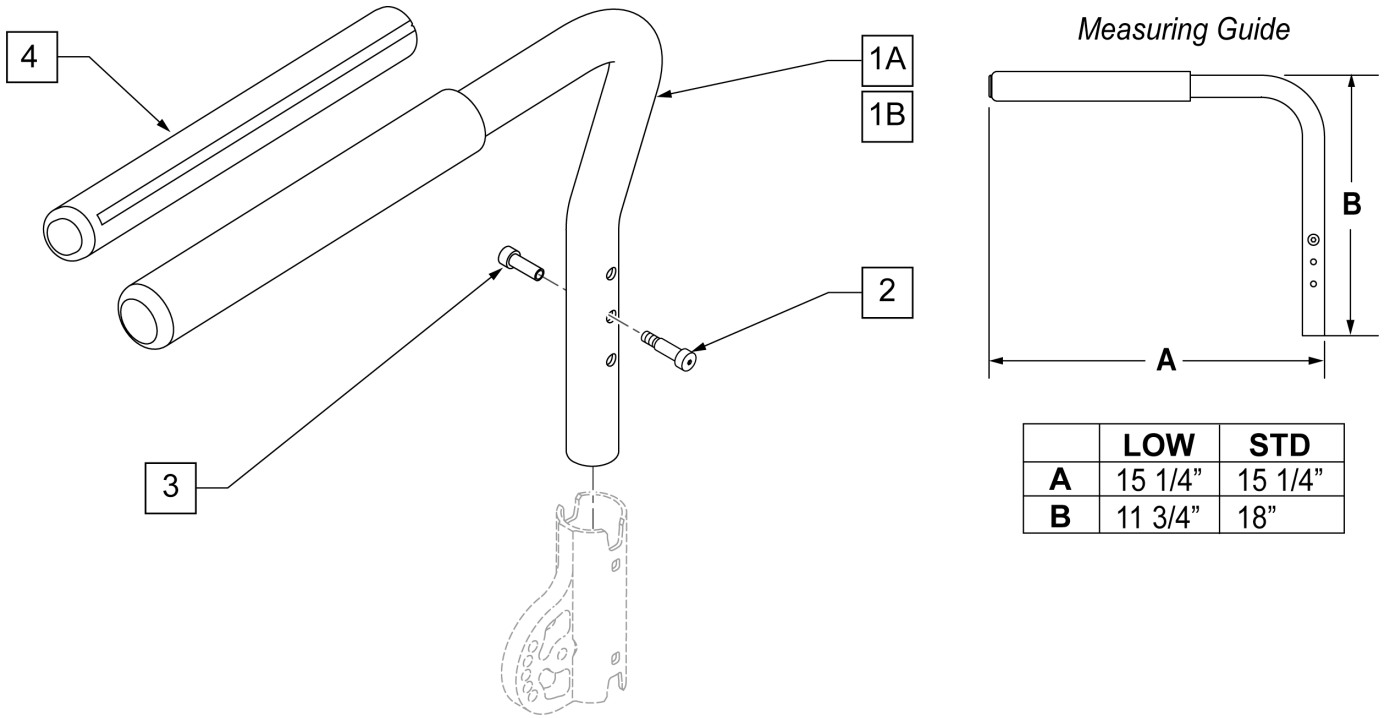
Pos.	Item Number	Description	Remarks
7	102263-002	SHCS M6X1X20 FULL NP	
8	102265-003	FHCS M6X1X25 FULL NP	
9A	500690	NEW PLTFORM F/PLT 6 x 5.5	USED W/ 11'-12' FOOTREST WIDTHS
9B	500691	NEW PLTFORM F/PLT 8 x 5.5	USED W/ 13'-14' FOOTREST WIDTHS
9C	500692	NEW PLTFORM F/PLT 10 x 5.5	USED W/ 15'-16' FOOTREST WIDTHS
9D	500693	NEW PLTFORM F/PLT 12 x 5.5	USED W/ 17'-20' FOOTREST WIDTHS
10	550351	CLAMP FOOTPLATE	
11	250104	WASHER FLAT M6	
12	200113	NUT HEX NYLOCK M6 x 1	
13	102265-001	FHCS M6 X 1 X 16 INORGANIC	
14	050073	PLATE POSITIONING FOOT	
1-3A-9A-12	050266-001	11" W HI MOUNT PLATFORM ASSM	
1-3A-9A-12	050266-002	12" W HI MOUNT PLATFORM ASSM	
1-3A-9B-12	050266-003	13" W HI MOUNT PLATFORM ASSM	
1-3A-9B-12	050266-004	14" W HI MOUNT PLATFORM ASSM	
1-3A-9C-12	050266-005	15" W HI MOUNT PLATFORM ASSM	
1-3A-9C-12	050266-006	16" W HI MOUNT PLATFORM ASSM	
1-3A-9D-12	050266-007	17" W HI MOUNT PLATFORM ASSM	
1-3A-9D-12	050266-008	18" W HI MOUNT PLATFORM ASSM	
1-3A-9D-12	050266-009	19" W HI MOUNT PLATFORM ASSM	
12-14	050228	PLATE POSITIONING FOOT W/ HDWR	
12-14	050228	PLATE POSITIONING FOOT W/ HDWR	

**NOTE:** Effective on GTi chairs after S/N T4-505800 & T4A-505900.

**NOTE:** Effective on GT chairs after S/N R3-012700 & R3A-012762.

**NOTE:** Armrest heights that can be achieved are; 7, 8, & 9 with the RECEIVER IN THE DOWN position, and 10, 11, & 12 with RECEIVER IN THE UP position.

**NOTE:** GT,GTi & Q2 Lite chair uses Low Armrest only.



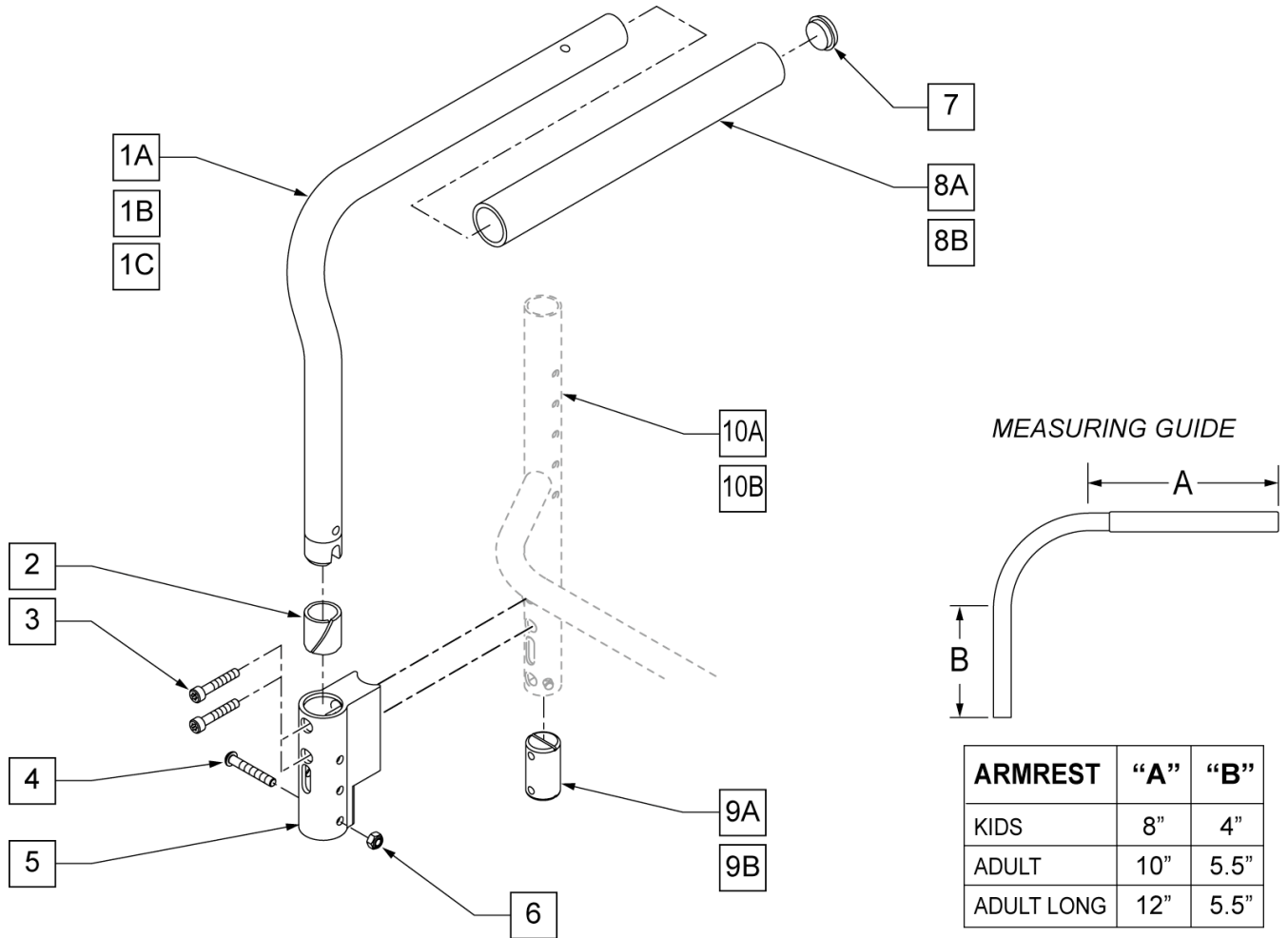
Pos.	Item Number	Description	Remarks
1A-3	111153	SWING-AWAY ARMREST LOW W/ BOLT R	RIGHT-LOW
1A-3	111154	SWING-AWAY ARMREST LOW W/ BOLT L	LEFT -LOW
1B-3	111155	SWING-AWAY ARMREST STD W/ BOLT R	RIGHT-STD
1B-3	111156	SWING-AWAY ARMREST STD W/ BOLT L	LEFT -STD
2,3	108118	SEXBOLTS ARMREST KIT	PAIR
4	108315	GEL PAD S/ ARM	

**NOTE:** Discontinued on GT chairs as of S/N R3-012700 & R3A-012762.

**NOTE:** Discontinued on GTi chairs as of S/N T4-505800 & T4A-505900.

**NOTE:** IF ADDING SWING-AWAY ARMREST TO CHAIR BUILT PRIOR TO 6/14/2006, YOU MUST ORDER BACKREST FRAME.

**NOTE:** WHEN REPLACING BACK FRAME IT IS SUGGESTED TO REPLACE THE INSERTS AS THEY MAY BECOME STUCK IN THE BACK FRAME.



Pos.	Item Number	Description	Remarks
2	560400	1" I.D. NY-LINER	
3	102263-004	SHCS M6 x 1 x 35 INORGANIC	
4	102262-006	BHCS M6 x 1 x 40 INORGANIC	
2-6	050188	RECEIVER ARMREST SA W/HDWR	
6	200113	NUT HEX NYLOCK M6 X 1	
7	561002	1" INSERT PLUG .083	
8A	920070	9X.940X.200 FOAM GRIP	
8B	560299	FOAM GRIP 7 X .940 X .20 (PEDIATRIC)	
9A	101301-001	INSERT BACKREST 20.90 OD	FOR ALUMINUM BACKREST
9B	101301-002	INSERT BACKREST 23.30 OD	FOR TITANIUM BACKREST
1A,7,8A	881254	PADDED ARMREST RIGHTHAND QTNT	RIGHT-ADULT
1A,7,8A	881255	PADDED ARMREST LEFTHAND QTNT	LEFT-ADULT
1B,7,8B	050264	PADDED ARM S/A RIGHT PEDIATRIC	RIGHT-KIDS/PED
1B,7,8B	050265	PADDED ARM S/A LEFT PEDIATRIC	LEFT-KIDS/PED

Pos.	Item Number	Description	Remarks
1C,7,8A	101508	PADDED ARMREST S/A LONG R	RIGHT-ADULT LONG
1C,7,8A	101509	PADDED ARMREST S/A LONG L	LEFT-ADULT LONG
2-6,9A	103108-001	RECEIVER W/HDWR FIXED AL	
2-6,9B	103108-002	RECEIVER W/HDWR FIXED TI	
10A, 9A, 2	104769-001	FRAME ALUM BACKREST 12 STD PAD ARM	
10A, 9A, 2	104769-002	FRAME ALUM BACKREST 13 STD PAD ARM	
10A, 9A, 2	104769-003	FRAME ALUM BACKREST 14 STD PAD ARM	
10A, 9A, 2	104769-004	FRAME ALUM BACKREST 15 STD PAD ARM	
10A, 9A, 2	104769-005	FRAME ALUM BACKREST 16 STD PAD ARM	
10A, 9A, 2	104769-006	FRAME ALUM BACKREST 17 STD PAD ARM	
10A, 9A, 2	104769-007	FRAME ALUM BACKREST 18 STD PAD ARM	
10A, 9A, 2	104769-008	FRAME ALUM BACKREST 19 STD PAD ARM	
10A, 9A, 2	104769-009	FRAME ALUM BACKREST 20 STD PAD ARM	
10B, 9A, 2	104750-001	FRAME ALUM BACKREST 12 TALL PAD ARM	
10B, 9A, 2	104750-002	FRAME ALUM BACKREST 13 TALL PAD ARM	
10B, 9A, 2	104750-003	FRAME ALUM BACKREST 14 TALL PAD ARM	
10B, 9A, 2	104750-004	FRAME ALUM BACKREST 15 TALL PAD ARM	
10B, 9A, 2	104750-005	FRAME ALUM BACKREST 16 TALL PAD ARM	
10B, 9A, 2	104750-006	FRAME ALUM BACKREST 17 TALL PAD ARM	
10B, 9A, 2	104750-007	FRAME ALUM BACKREST 18 TALL PAD ARM	
10B, 9A, 2	104750-008	FRAME ALUM BACKREST 19 TALL PAD ARM	
10B, 9A, 2	104750-009	FRAME ALUM BACKREST 20 TALL PAD ARM	

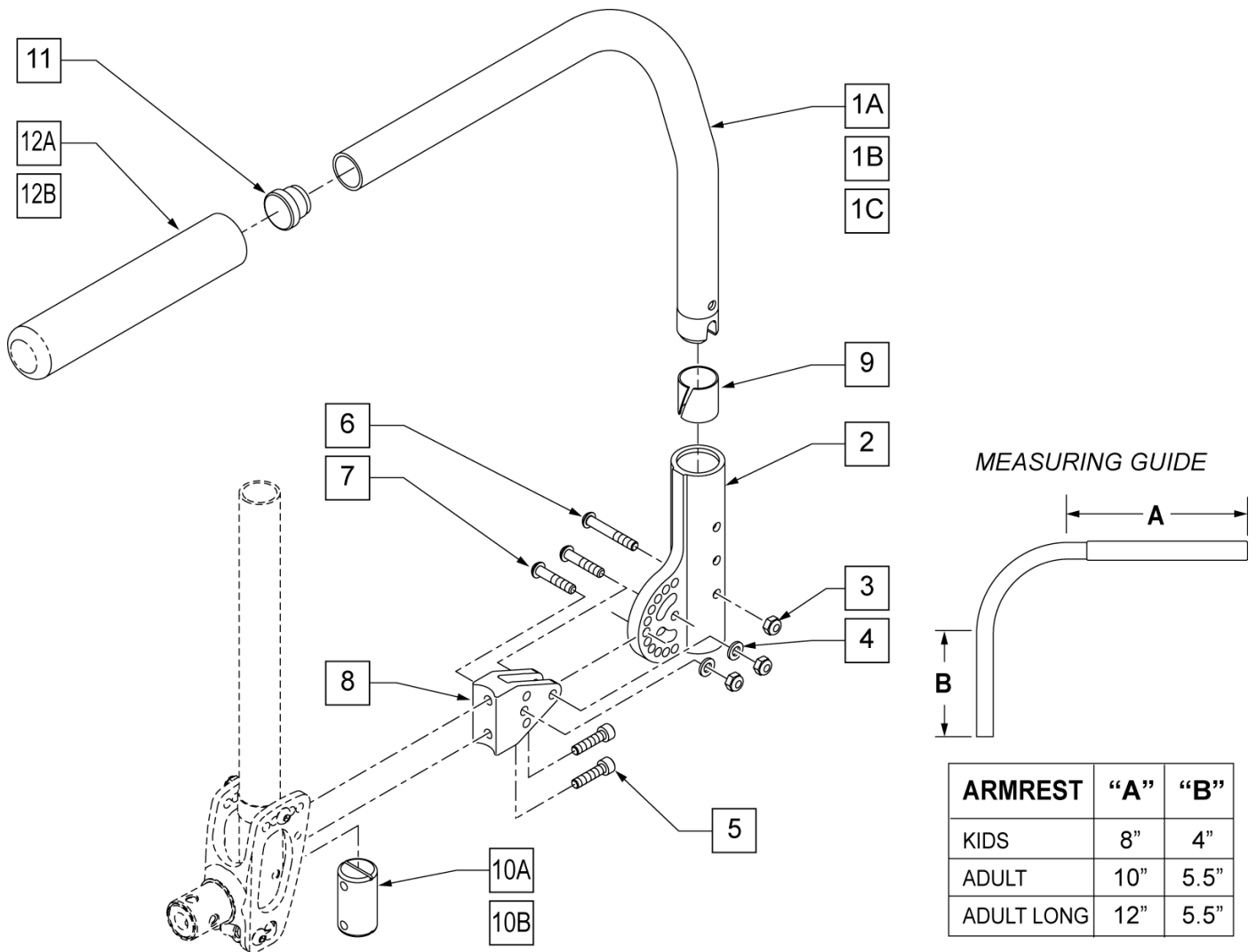
**NOTE:** Discontinued on GT chairs as of S/N R3-012700 & R3A-012762.

**NOTE:** Discontinued on GTi chairs as of S/N T4-505800 & T4A-505900.

**NOTE:** ITEM 10A USED FOR ALUMINUM BACKREST,  
ITEM 10B USED FOR TITANIUM BACKREST.

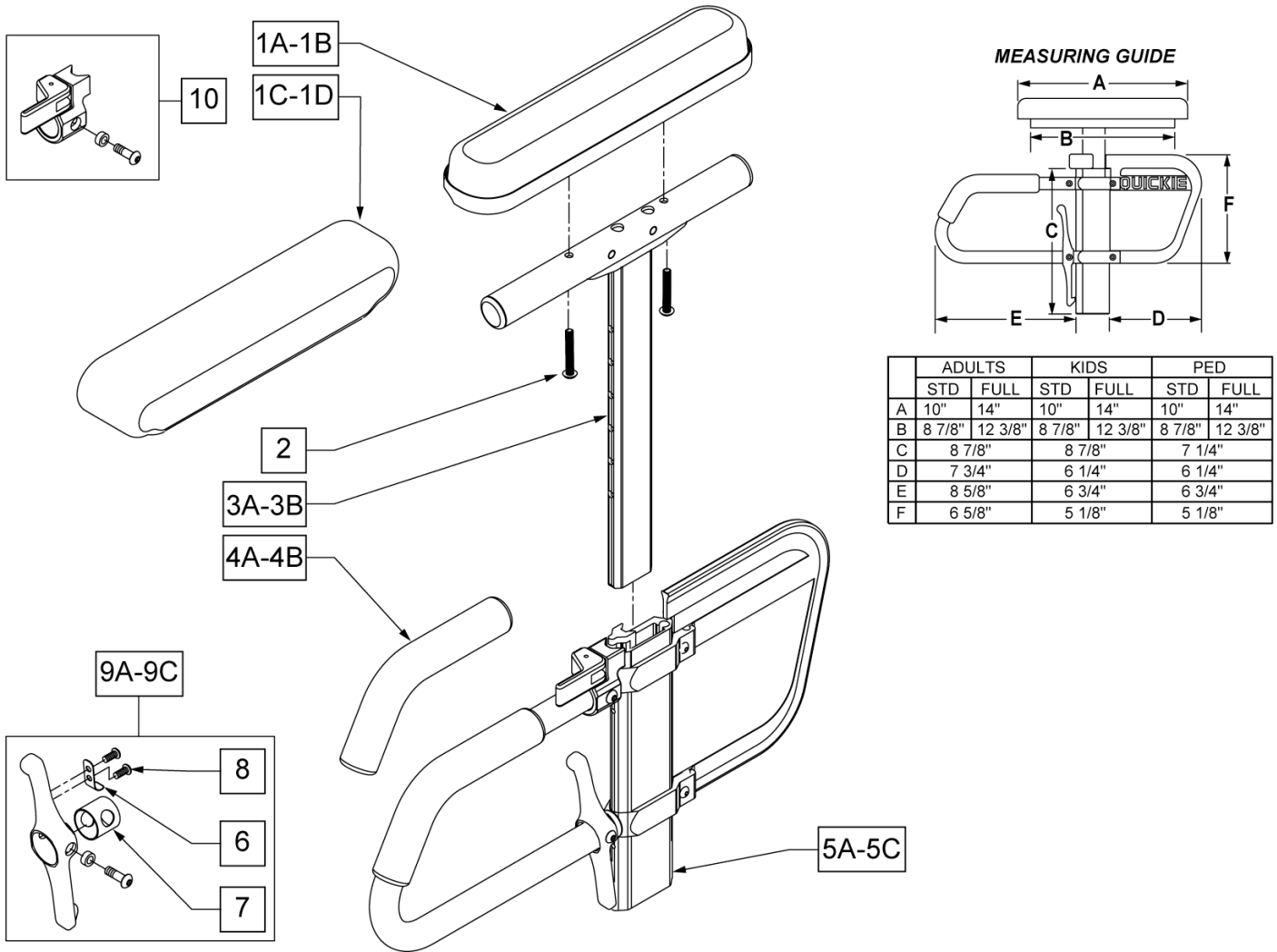
**NOTE:** IF ADDING SWING-AWAY ARMREST TO CHAIR BUILT PRIOR TO 6/14/2006, YOU MUST ORDER BACKREST FRAME.

**NOTE:** WHEN REPLACING BACK FRAME IT IS SUGGESTED TO REPLACE THE INSERTS AS THEY MAY BECOME STUCK IN THE BACK FRAME.



Pos.	Item Number	Description	Remarks
2	052166	RECEIVER ANG ADJ SA ARMREST	
3	200113	NUT HEX NYLOCK M6 X 1	
4	250104	WASHER FLAT M6	
5	102263-003	SHCS M6 X 1 X 25 W/PL INORG	
6	102262-006	BHCS M6 X 1 X 40 INORGANIC	
7	102262-005	BHCS M6 X 1 X 30 INORGANIC	
8	052165	BRACKET ANG ADJ SA ARMREST	
9	560400	1" I.D. NY-LINER	
10A	101301-001	INSERT BACKREST 20.90 OD	For Aluminum Backrest
10B	101301-002	INSERT BACKREST 23.30 OD	For Titanium Backrest

Pos.	Item Number	Description	Remarks
11	561002	1" INSERT PLUG .083	
12A	920070	9X.940X.200 FOAM GRIP	
12B	560299	FOAM GRIP 7 X .940 X .20 (PEDIATRIC)	
1A,11,12A	101508	PADDED ARMREST S/A LONG R	RIGHT-LONG
1A,11,12A	101509	PADDED ARMREST S/A LONG L	LEFT-LONG
1B,11,12A	881254	PADDED ARMREST RIGHTHAND QTNT	RIGHT-ADULT
1B,11,12A	881255	PADDED ARMREST LEFTHAND QTNT	LEFT-ADULT
1C,11,12B	050264	PADDED ARM S/A RIGHT PEDIATRIC	RIGHT-KIDS/PEDS
1C,11,12B	050265	PADDED ARM S/A LEFT PEDIATRIC	LEFT-KIDS/PEDS
2-10A	102207-001	RECEIVER W/HDWR ANG ADJ AL	
2-10B	102207-002	RECEIVER W/HDWR ANG ADJ TI	

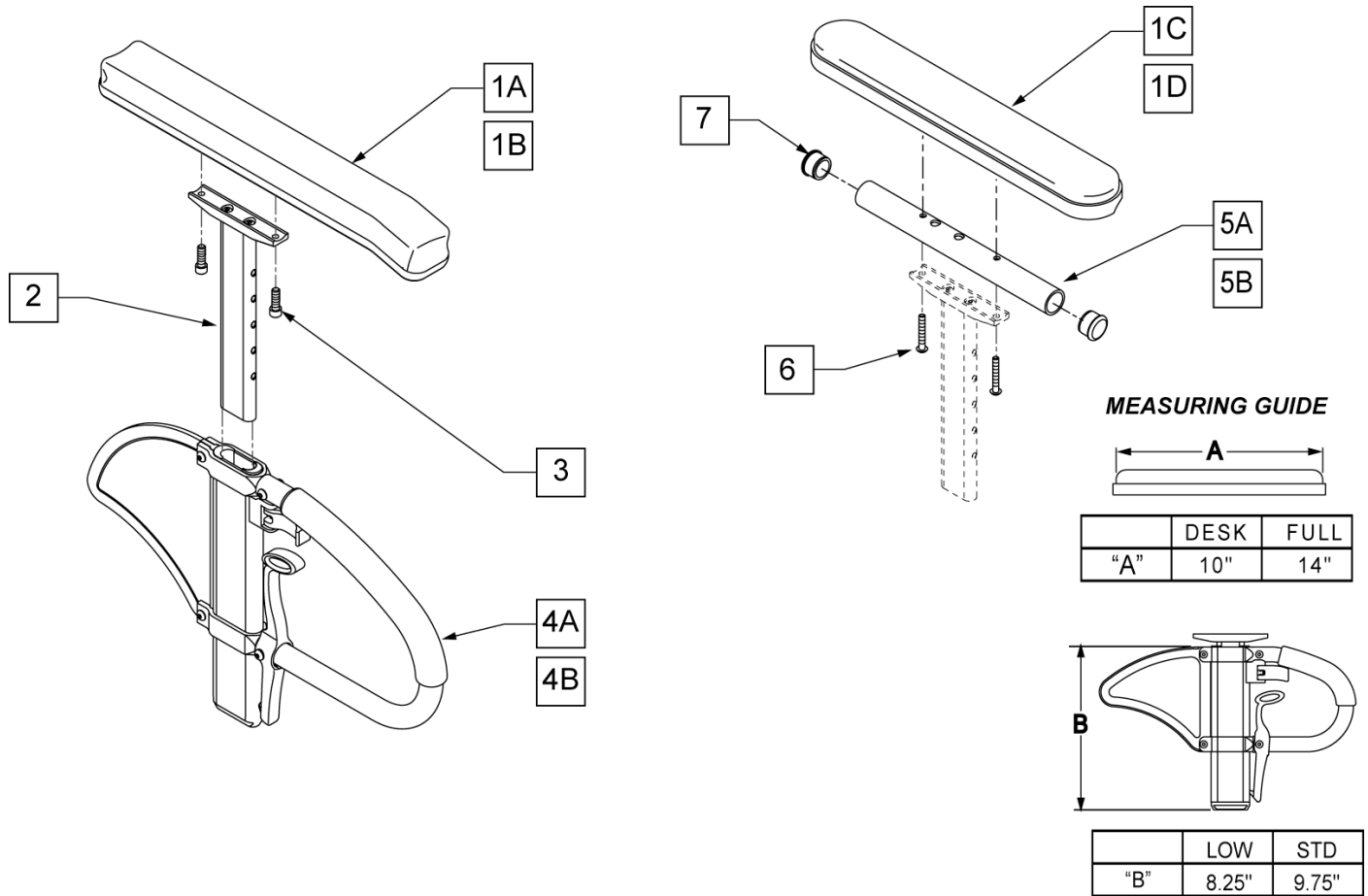


Pos.	Item Number	Description	Remarks
1A	561024	ARMREST PAD 10" DESK	DESK PAD
1B	561031	ARMREST PAD 14" FULL	FULL PAD
1C	561280	ARMREST PAD 10" L W/F	LEFT - DESK WATERFALL PAD
1C	561281	ARMREST PAD 10" R W/F	RIGHT - DESK WATERFALL PAD
1D	561284	ARMREST PAD 14" L W/F	LEFT - FULL WATERFALL PAD
1D	561285	ARMREST PAD 14" R W/F	RIGHT - FULL WATERFALL PAD
2	226038	10-32 x 1 3/8 BH C/S BLK	
4A	560610	5" x .705 x .125 FOAM TUBE	ADULT
4B	560627	7-1/2" x .705 x .125 FOAM TUBE	PEDS/KIDS
5A	882084	HT ADJ LOWER DC ARM ASSM STD R	RIGHT - STANDARD/ADULT
5A	882085	HT ADJ LOWER DC ARM ASSM STD L	LEFT - STANDARD/ADULT
5B	882082	HT ADJ LOWER DC ARM ASM KIDS R	RIGHT - KIDS
5B	882083	HT ADJ LOWER DC ARM ASM KIDS L	LEFT - KIDS
5C	882080	HT ADJ LOWER ARM ASSM PE D R	RIGHT - PEDIATRIC
5C	882081	HT ADJ LOWER ARM ASSM PE D L	LEFT - PEDIATRIC
6	321721	LEVER RETURN SPRING	
7	562825	RELEASE LEVER INNER SLEEVE	
8	281045	#6 x 1/4 PAN PHIL S/M/S	
9A	888000	HT ADJ REC REL LEVER ASSM STD	ADULT
9B	888001	HT ADJ REC REL LEVER ASSM KIDS	KIDS

Pos.	Item Number	Description	Remarks
9C	888002	HT ADJ REC REL LEVER ASSM PEDS	PEDS
10	888003	HT ADJ UPPER ARM REL ASSM R	RIGHT
10	888004	HT ADJ UPPER ARM REL ASSM L	LEFT
>>>>		ADULT UPPER ASSEMBLIES	
1A-3A	880192	HT ADJ UPPER ARM ASSM DESK R	RIGHT - ADULT DESK PAD
1A-3A	880198	HT ADJ UPPER ARM ASSM DESK L	LEFT - ADULT DESK PAD
1B-3A	880193	HT ADJ UPPER ARM ASSM FL R	RIGHT - ADULT FULL PAD
1B-3A	880199	HT ADJ UPPER ARM ASSM FL L	LEFT - ADULT FULL PAD
>>>>		ADULT UPPER ASSEMBLIES	
1C-3A	881230	HT ADJ UPPER L ARM ASSM DESK W/F	RIGHT - ADULT DESK WATER FALL PAD
1C-3A	881231	HT ADJ UPPER R ARM ASSM DESK W/F	LEFT - ADULT DESK WATER FALL PAD
1D-3A	881232	HT ADJ UPPER L ARM ASSM FL W/F	RIGHT - ADULT FULL WATER FALL PAD
1D-3A	881233	HT ADJ UPPER R ARM ASSM FL W/F	LEFT - ADULT FULL WATER FALL PAD
>>>>		PEDIATRIC AND KIDS UPPER ASSEMBLIES	
1A-3B	880174	HT ADJ UPPER ARM PED PWR DESK R	RIGHT - PED/KIDS DESK PAD
1A-3B	880175	HT ADJ UPPER ARM PED PWR DESK L	LEFT - PED/KIDS DESK PAD
1B-3B	880176	HT ADJ UPPER ARM PED PWR FULL R	RIGHT - PED/KIDS FULL PAD
1B-3B	880177	HT ADJ UPPER ARM PED PWR FULL L	LEFT - PED/KIDS FULL PAD
>>>>		PEDIATRIC AND KIDS UPPER ASSEMBLIES	
1C-3B	888341	HT ADJ PED UPPER R ARM ASSM D WF	RIGHT - PED/KIDS DESK WATER FALL PAD
1C-3B	888342	HT ADJ PED UPPER L ARM ASSM D WF	LEFT - PED/KIDS DESK WATER FALL PAD
1D-3B	888343	HT ADJ PED UPPER R ARM ASSM F WF	RIGHT - PED/KIDS FULL WATER FALL PAD
1D-3B	888344	HT ADJ PED UPPER L ARM ASSM F WF	LEFT - PED/KIDS FULL WATER FALL PAD
>>>>		COMPLETE ADULT ARMREST ASSEMBLY	
1A-3A-5A	880210	HT ADJ STD R W/DESK ARM PAD	RIGHT - ADULT - DESK PAD
1A-3A-5A	880211	HT ADJ STD L W/DESK ARM PAD	LEFT - ADULT - DESK PAD
1B-3A-5A	880212	HT ADJ STD R W/FULL ARM PAD	RIGHT - ADULT - FULL PAD
1B-3A-5A	880213	HT ADJ STD L W/FULL ARM PAD	LEFT - ADULT - FULL PAD
1C-3A-5A	881301	HT ADJ STD R W/DESK W/F PAD	RIGHT - ADULT - WATERFALL DESK PAD
1C-3A-5A	881300	HT ADJ STD L W/DESK W/F PAD	LEFT - ADULT - WATERFALL DESK PAD
1D-3A-5A	881305	HT ADJ STD R W/FULL W/F PAD	RIGHT - ADULT - WATERFALL FULL PAD
1D-3A-5A	881304	HT ADJ STD L W/FULL W/F PAD	LEFT - ADULT - WATERFALL FULL PAD
>>>>		COMPLETE KIDS ARMREST ASSEMBLY	
1A-3B-5B	880214	HT ADJ KIDS R W/DESK ARM PAD	RIGHT - KIDS - DESK PAD
1A-3B-5B	880215	HT ADJ KIDS L W/DESK ARM PAD	LEFT - KIDS - DESK PAD
1B-3B-5B	880216	HT ADJ KIDS R W/FULL ARM PAD	RIGHT - KIDS - FULL PAD
1B-3B-5B	880217	HT ADJ KIDS L W/FULL ARM PAD	LEFT - KIDS - FULL PAD
1C-3B-5B	881303	HT ADJ KIDS R W/DESK W/F PAD	RIGHT - KIDS - WATERFALL DESK PAD
1C-3B-5B	881302	HT ADJ KIDS L W/DESK W/F PAD	LEFT - KIDS - WATERFALL DESK PAD
1D-3B-5B	881307	HT ADJ KIDS R W/FULL W/F PAD	RIGHT - KIDS - WATERFALL FULL PAD
1D-3B-5B	881306	HT ADJ KIDS L W/FULL W/F PAD	LEFT - KIDS - WATERFALL FULL PAD
>>>>		COMPLETE PEDIATRIC ARMREST ASSEMBLY	
1A-3B-5C	880226	HT ADJ PED R W/DESK ARM PAD	RIGHT - PEDS - DESK PAD
1A-3B-5C	880227	HT ADJ PED L W/DESK ARM PAD	LEFT - PEDS - DESK PAD
1B-3B-5C	880228	HT ADJ PED R W/FULL ARM PAD	RIGHT - PEDS - FULL PAD
1B-3B-5C	880229	HT ADJ PED L W/FULL ARM PAD	LEFT - PEDS - FULL PAD
1C-3B-5C	888345	HT ADJ PED R W/DESK W/F PAD	RIGHT - PEDS - WATERFALL DESK PAD
1C-3B-5C	888346	HT ADJ PED L W/DESK W/F PAD	LEFT - PEDS - WATERFALL DESK PAD
1D-3B-5C	888347	HT ADJ PED R W/FULL W/F PAD	RIGHT - PEDS - WATERFALL FULL PAD
1D-3B-5C	888348	HT ADJ PED L W/FULL W/F PAD	LEFT - PEDS - WATERFALL FULL PAD



- NOTE:** USED ON QUICKIE 2 CHAIRS W/ S/N PREFIX Q2V.
- NOTE:** USED ON QUICKIE 2 LITE CHAIRS.
- NOTE:** USED ON ZIPPIE 2 CHAIRS W/ S/N PREFIX Z2A.
- NOTE:** USED ON ZIPPIE GS CHAIRS W/ S/N PREFIX ZGSA & ZGSE.
- NOTE:** USED ON ZIPPIE TS CHAIRS W/ S/N PREFIX Z1A & Z1SE.
- NOTE:** USED ON ZIPPIE IRIS CHAIRS W/ S/N PREFIX ZRS & ZRSE.
- NOTE:** USED ON QUICKIE Q7 CHAIRS.
- NOTE:** USED ON QUICKIE GT CHAIRS W/ S/N PREFIX R3A.
- NOTE:** USED ON QUICKIE GTI CHAIRS W/ S/N PREFIX T4A.

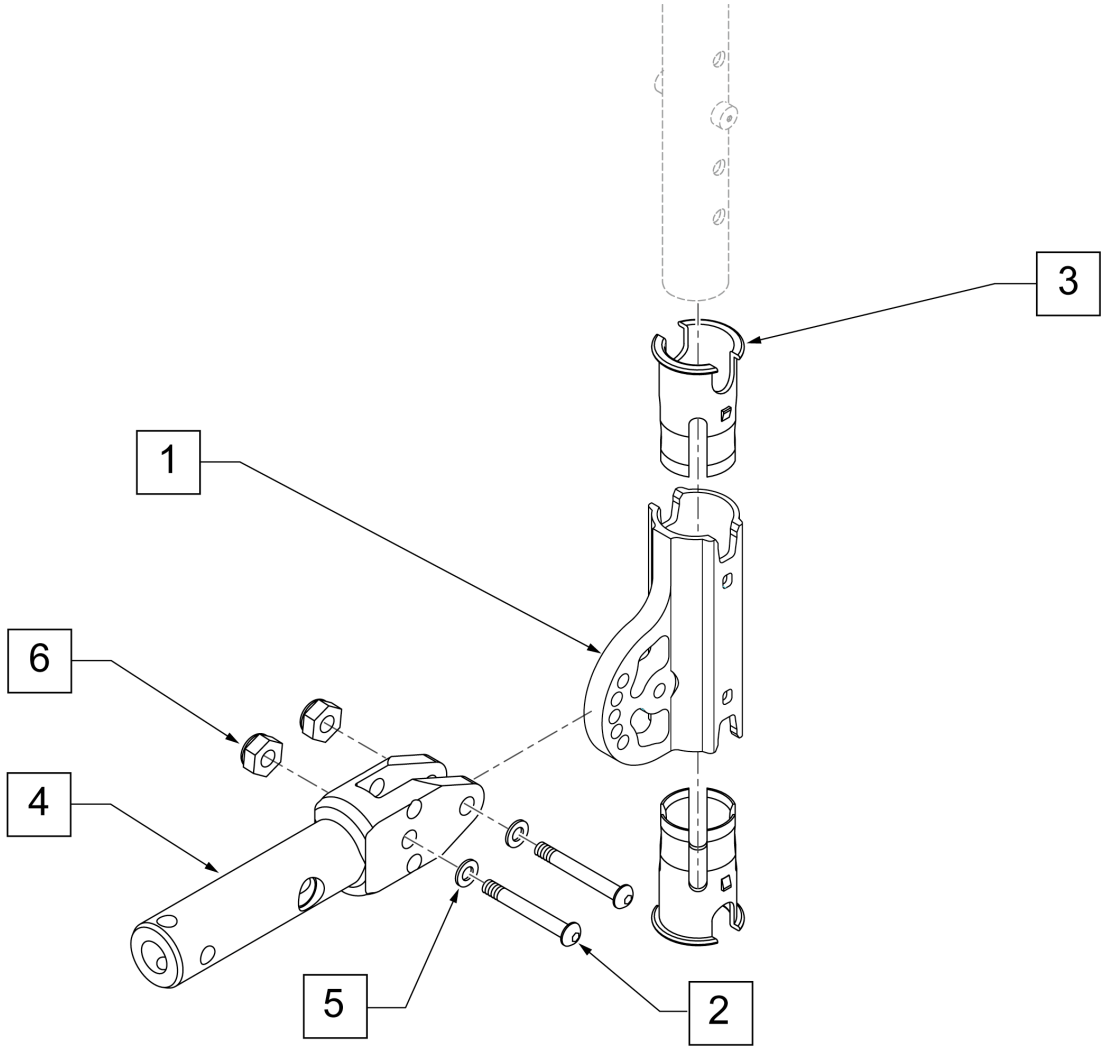


Pos.	Item Number	Description	Remarks
1A	104568-001	SPHA PAD DESK	CONTOUR DESK
1B	104568-002	SPHA PAD FULL	CONTOUR FULL
1C	561024	ARMREST PAD 10" DESK	CLASSIC DESK
1D	561031	ARMREST PAD 14" FULL	CLASSIC FULL
2	116312	SNGL POST UPPR ASSM LOW	LOW/SMALL
2	116313	SNGL POST UPPR ASSM STD	STANDARD
3	106956	SHCS 10-32 X 3/4 ROHS	
2,4A	104509-001	SPHA ARMREST ASSY STD	STANDARD
2,4B	104509-002	SPHA ARMREST ASSY LOW	LOW/SMALL
5A	521812	HT ADJ PD TUBE 10IN DESK POWE	Desk
5B	521813	HT ADJ PD TUBE 14IN FULL POWE	Full
6	107024	BHCS 10-32 X 1 1/2 ROHS	
7	560735	7/8" ROUND TUBE PLUG	

<b>Pos.</b>	<b>Item Number</b>	<b>Description</b>	<b>Remarks</b>
1C-4A-5A,6,7	108599	SPHA STD CLASIC DESK PAD R	Right
1C-4A-5A,6,7	108603	SPHA STD CLASIC DESK PAD L	Left
1D-4A-5B-7	108601	SPHA STD CLASIC FULL PAD R	Right
1D-4A-5B-7	108605	SPHA STD CLASIC FULL PAD L	Left
1A-4A	108595	SPHA STD CNTUR DESK PAD	
1B-4A	108597	SPHA STD CNTUR FULL PAD	
1C-4B-5A,6,7	108600	SPHA LOW CLASIC DESK PAD R	Right
1C-4B-5A,6,7	108604	SPHA LOW CLASIC DESK PAD L	Left
1D-4B-5B-7	108602	SPHA LOW CLASIC FULL PAD R	Right
1D-4B-5B-7	108606	SPHA LOW CLASIC FULL PAD L	Left
1A-4B	108596	SPHA LOW CNTUR DESK PAD	
1B-4B	108598	SPHA LOW CNTUR FULL PAD	

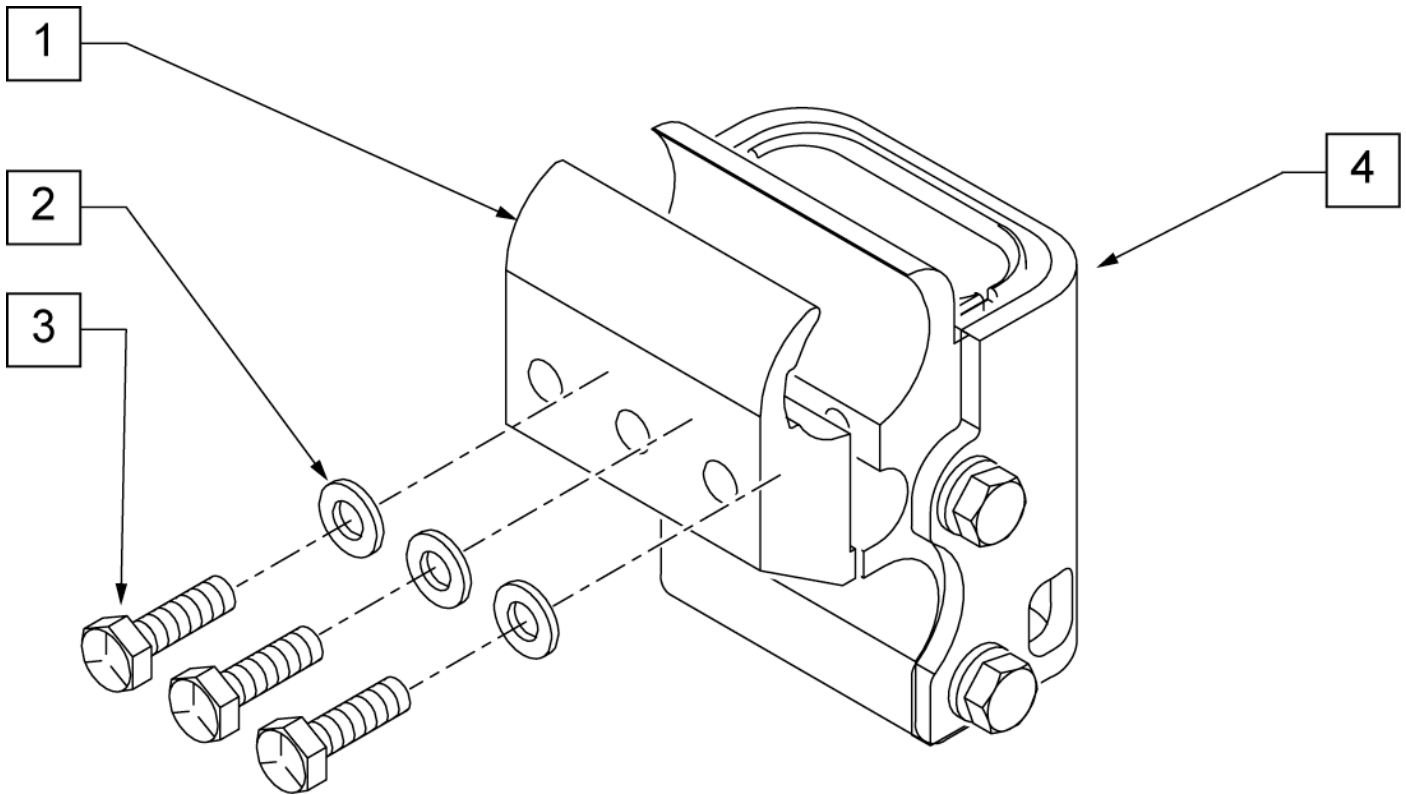
**NOTE:** Effective on GT chairs after S/N R3-012700 & R3A-012762.

**NOTE:** THE PADDED SWING AWAY RECEIVER HAS BUILT IN ANGLE ADJUSTABILITY OF +60°, +42°, +36°, +24°, +18°, +12°, +6°, 0°, -6°, -12°, -18°, -24°, -36°, -42°, & -60°.



Pos.	Item Number	Description	Remarks
1	109207	RECIEVER MOUNT	*
2	102262-005	BHCS M6 x 1 x 30 INORG	
3	106505	SLEEVE SWING AWAY ARMREST	
4	109755	MOUNT ANGLE ADJ	
5	250104	WASHER FLAT M6	
1-6	111152	PAD S/A ARMREST MOUNT RECEIVER KIT	

NOTE: CLAMP MOUNTS TO 1-1/8" TUBING.



Pos.	Item Number	Description
1	550495	HT ADJ REV
2	250104	WASHER FLAT M6
3	102268-002	HHCS M6 x 1 x 35 INORG
4	109387	RECEIVER SPHA 1 1/8" OD ASSM
1-4	111157	SPHA REC ASSM COMPLETE

**(04/2010)**

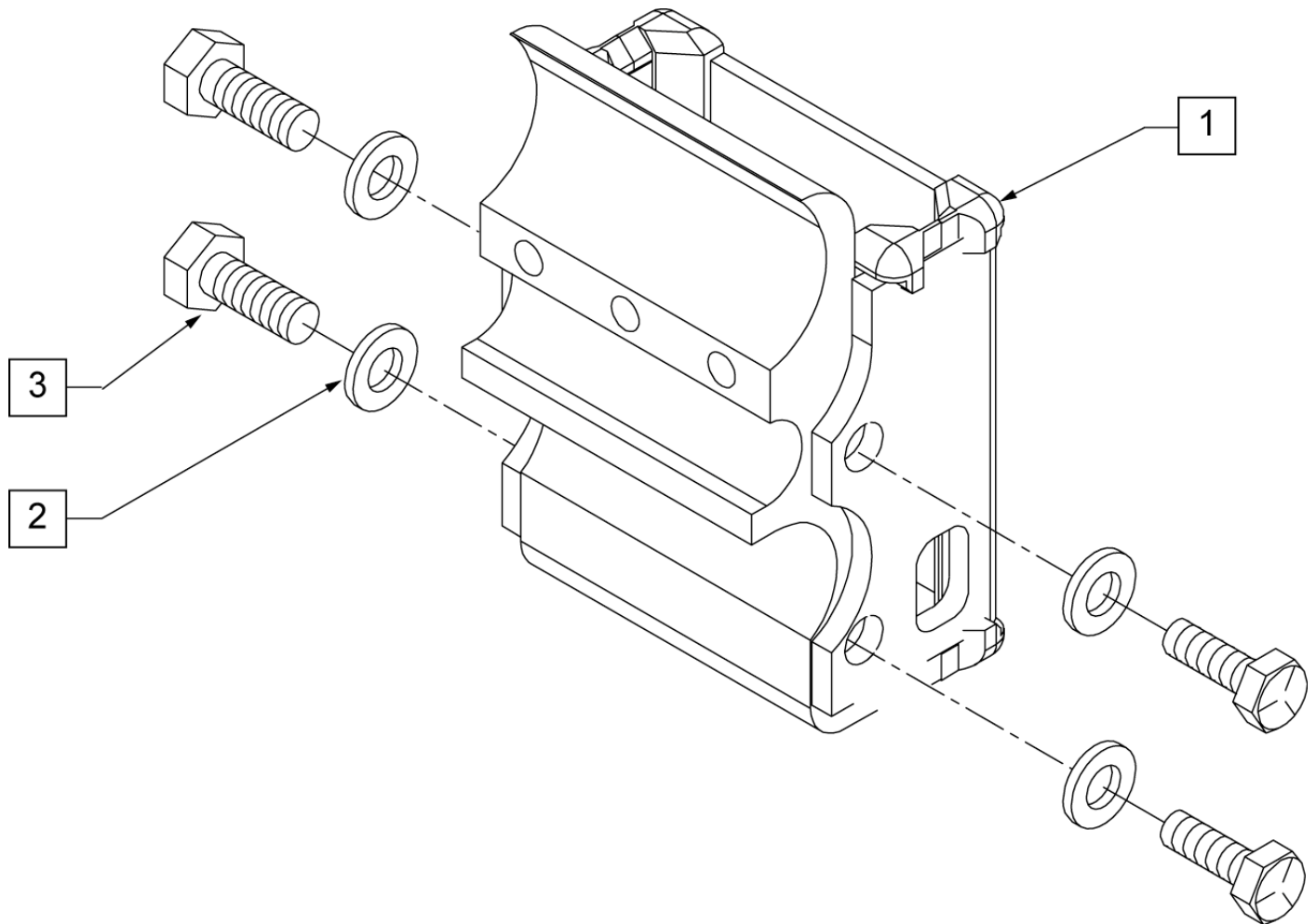
**NOTE:** USED ON QUICKIE GT CHAIRS AFTER S/N R3-012700 & R3A-012762.

**NOTE:** USED ON QUICKIE GTi CHAIRS AFTER S/N T4-505800 & T4A-505900.

**NOTE:** CLAMP MOUNTS TO 1-1/8" TUBING.

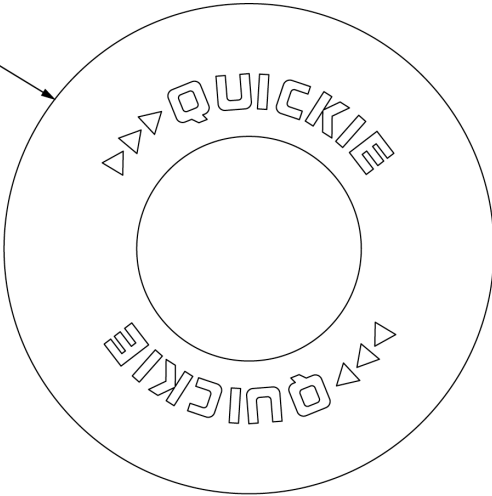
**NOTE:** USED ON QUICKIE GT CHAIRS AFTER S/N R3-012700 & R3A-012762.

**NOTE:** USED ON QUICKIE GTi CHAIRS AFTER S/N T4-505800 & T4A-505900.

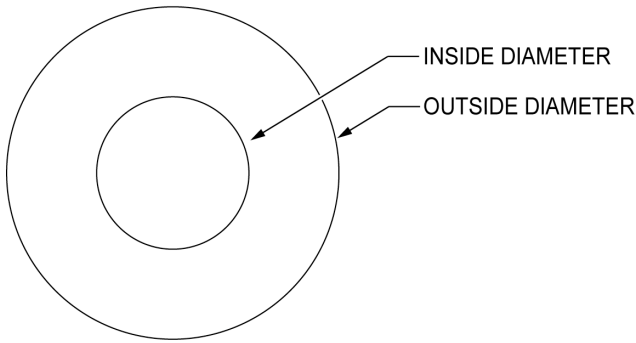
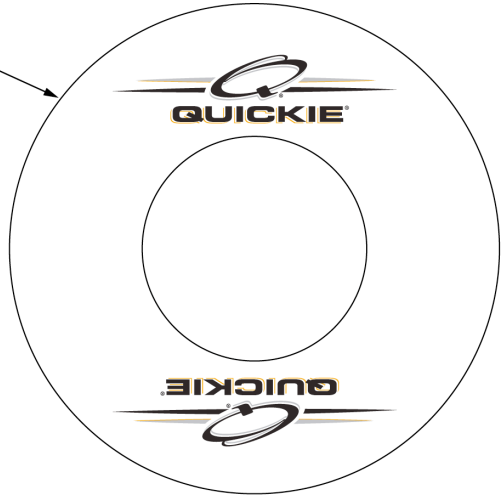


Pos.	Item Number	Description
1	102658	HT ADJ ARMREST RECEIVER
3	250104	WASHER FLAT M6
3	102268-001	HHCS M6 x 1 INORG

1A



1B

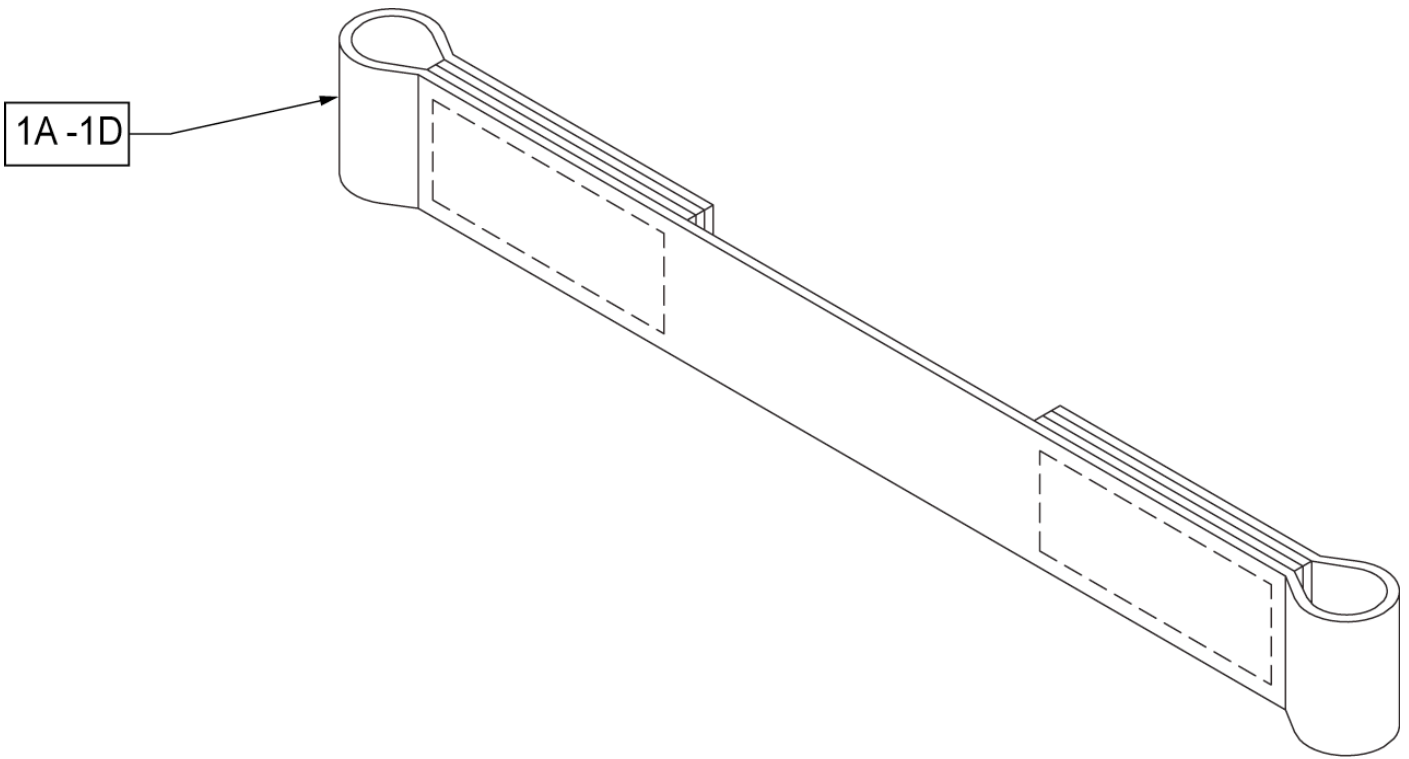


**SPOKE GUARD MEASURING GUIDE**

PART NUMBER	INSIDE DIAMETER	OUTSIDE DIAMETER
902001	8 1/4	15 7/8
902011	8 1/4	18 1/8
902021	10 1/4	19 5/8
902025	10 1/4	20 3/8
902037	10 1/4	21 7/8
902038	10 1/4	23 3/8
103660-001	8 1/4	16
103660-002	8 1/4	18
103663-001	10 1/4	20 1/2
103663-002	10 1/4	23 1/2
103734-001	10 1/4	19 1/4
103734-002	10 1/4	22
119336	10 1/4	19 1/4

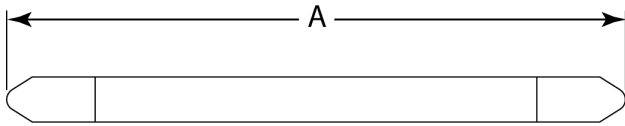
Pos.	Item Number	Description	Remarks
>>>>		BLACK SPOKE GUARDS	
1A	902001	SPK GRDS 20" QUICKIE BLK	Pair-BLACK-FITS 20" WHEELS
1A	902011	SPK GRDS 22" QUICKIE BLK	Pair-BLACK-FITS 22" WHEELS or 24" (540) WHEELS W/ PROJECTION HANDRIMS
1A	902021	SPK GRD 24" QUICKIE SCR MT BLK	Pair-BLACK-FITS 24" (540) MAG & SPOKE WHEELS
1A	902025	SPK GRD 24" QUICKIE TAB MT BLK	Pair-BLACK-FITS 25" (559) SPOKE WHEELS
1A	902037	SPK GRD 26" QUICKIE TAB MT BLK	Pair-BLACK-FITS 26" (590) WHEELS
1A	902038	SPK GRD 26" QUICKIE HT BLK	Pair-BLACK-FITS 27" (700) WHEELS
>>>>		CLEAR SPOKE GUARDS	
1B	103660-001	CLEAR SPOKE GUARD 20"	Pair-CLEAR-FITS 20" WHEELS
1B	103660-002	CLEAR SPOKE GUARD 22"	Pair-CLEAR-FITS 22" WHEELS or 24" (540) WHEELS W/ PROJECTION HANDRIMS
1B	103734-001	SPOKE GUARD 24" CLR	Pair-CLEAR-FITS 24" (540) SPOKE WHEELS
1B	119336	SPOKE GUARD 24" CLR	Pair-CLEAR-FITS 24" (540) MAG WHEELS
1B	103663-001	SPOKE GUARD 24" QP CLR	Pair-CLEAR-FITS 25" (559) WHEELS
1B	103734-002	SPOKE GUARD 26" CLR	Pair-CLEAR-FITS 26" (590) WHEELS
1B	103663-002	SPOKE GUARD 26" QP CLR	Pair-CLEAR-FITS 27"(700) WHEELS



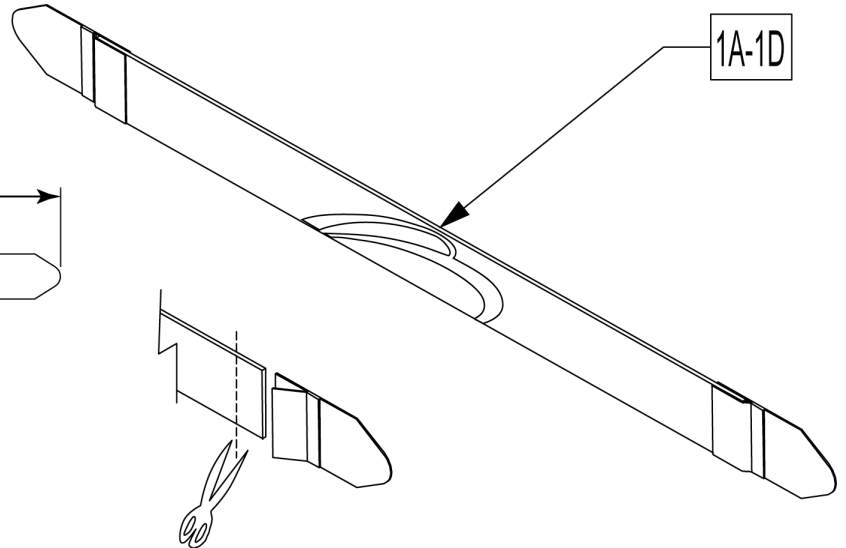


Pos.	Item Number	Description
1A	109356	LEG STRAP SOFT FEEL Q 11 -12"
1B	109357	LEG STRAP SOFT FEEL Q 13 -15"
1C	109366	LEG STRAP SOFT FEEL Q 16 -18"
1D	111487	LEG STRAP SOFT FEEL Q 19 -20"

**MEASURING GUIDE**



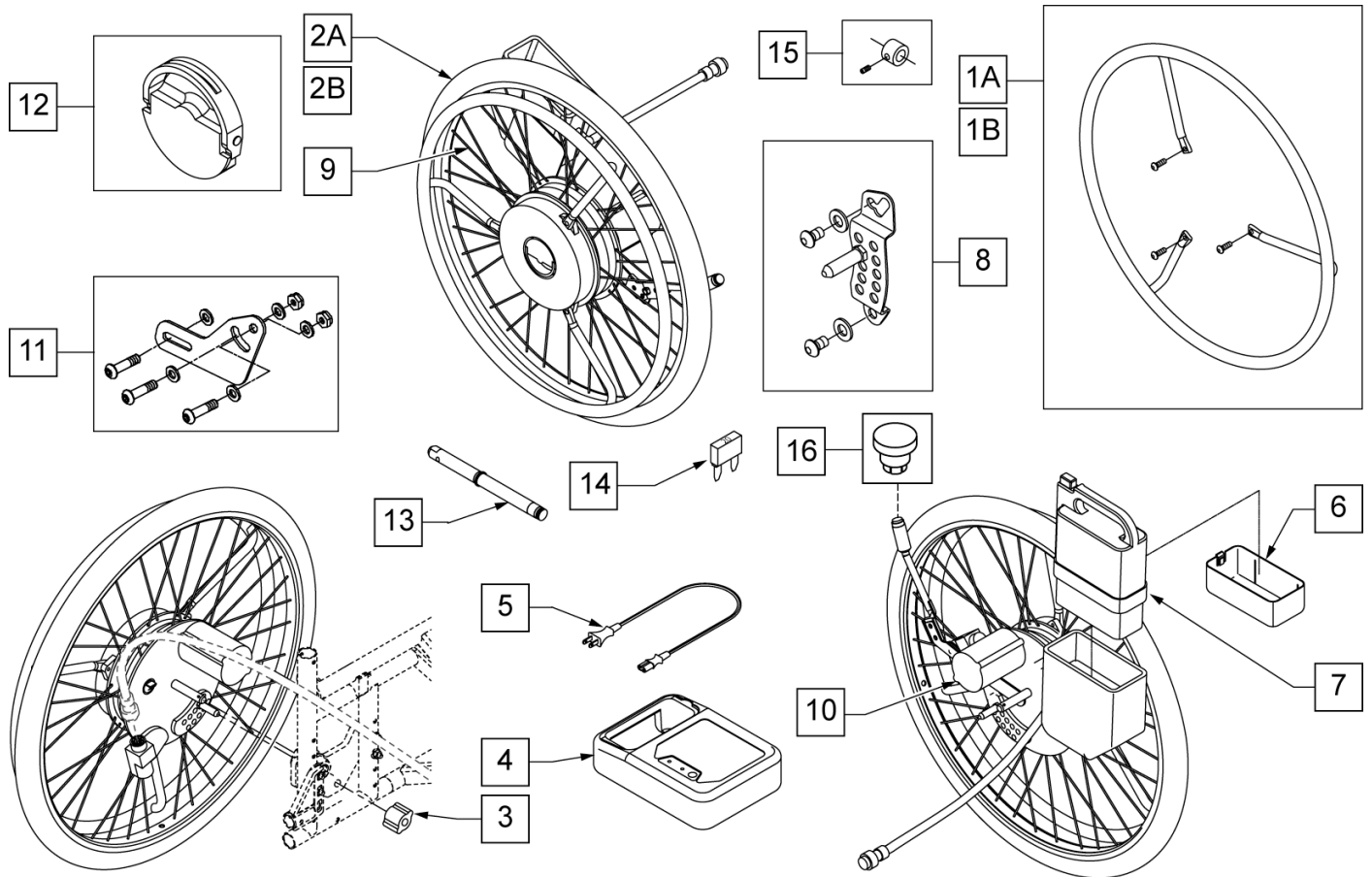
DESCRIPTION	DIM "A"
LEG STRAP 11"-12" BLK	27 1/2
LEG STRAP 13"-15" BLK	32 1/2
LEG STRAP 16"-18" BLK	39 1/2
LEG STRAP 19"-20" BLK	45 1/2



Leg Straps may be custom cut to a smaller size

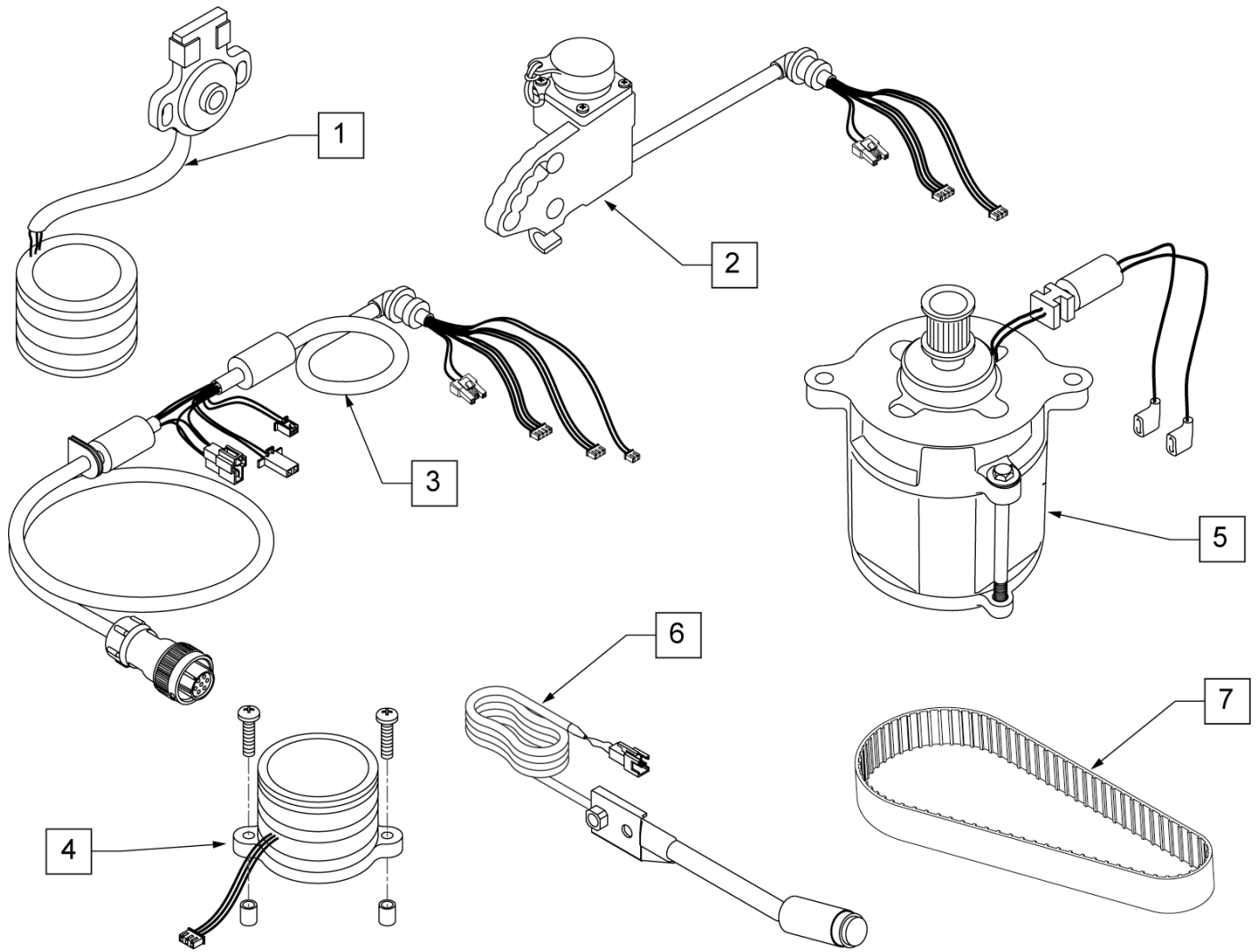
Pos.	Item Number	Description
1A	113255	LEG STRAP 11"-12" BLK
1B	113256	LEG STRAP 13"-15" BLK
1C	113257	LEG STRAP 16"-18" BLK
1D	113258	LEG STRAP 19"-20" BLK

**NOTE:** IF ADDING A XTENDER TO AN EXISTING CHAIR PLEASE REFER TO THE APPROPRIATE "XTENDER AXLE PLATE" PARTS MANUAL PAGE FOR MOUNTING COMPONENTS.



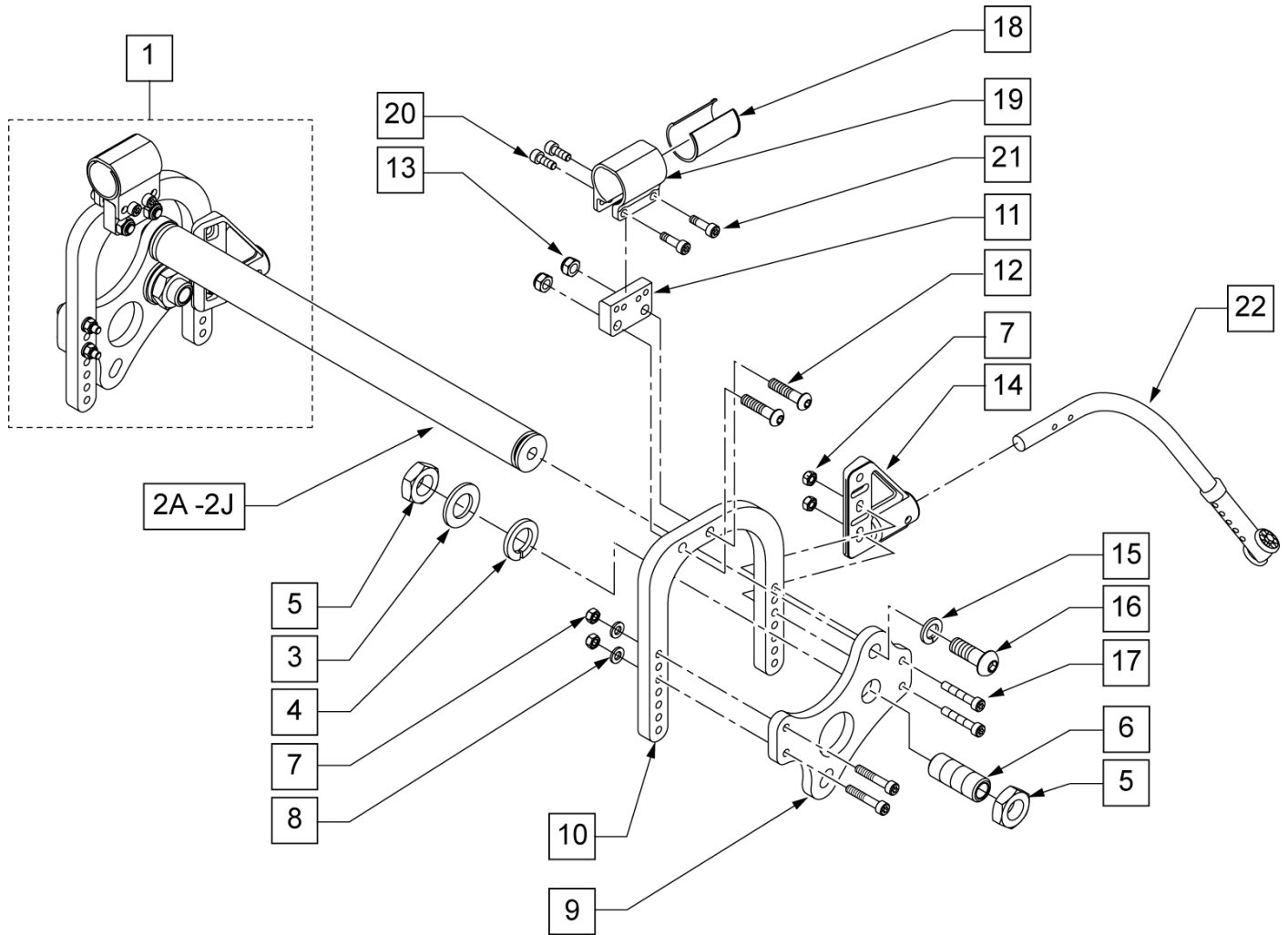
Pos.	Item Number	Description	Remarks
1A	425060	24" XTENDER HANDRIM SS W/HDWR	1.5X Multiplier - Stainless Handrim
1B	425061	24"XTENDER HANDRIM PLST W/HDWR	3X Multiplier - Plastic Coated Handrim
2A	385300	24" PNEUMATIC TIRE	
2B	382325	24" TUBE	
3	541011	BRACKET ENGINE 1	
4,5	114474	CHARGER YAMAHA W/ ADDRESS LBL	
5	134121	PWR CORD BATT CHARGER YAMAHA	
6,7,14	136526	BATTERY YAMAHA	
8	133109	PLATE+ STOPPER 1 L YAMAHA	Left
8	133110	PLATE+ STOPPER 1 R YAMAHA	Right
9	133108	SPOKE SET 24" YAMAHA	INCLUDES 36 SPOKES
10	490013	MOTOR COVER YAMAHA	
11	921763	XTNDR ADJ BRCKT KIT (W/HDWR)	
12	107011	YAMAHA PLATE ASSM KIT	
13	541155	XTNDR QUICK RELEASE AXLE	
14	138219	FUSE 20A BLADE	
15	920514	XTNDR AXLE SLVE W/SET SCREW	For use w/ Manual Wheels w/ Extended Axle Plate
16	108273	PWR BUTTON SWITCH	
1A,2A,2B,3-14,16	925102	24" TYPE A-1.5X KIT W/PNEU	1.5X Multiplier Stainless Handrim

<b>Pos.</b>	<b>Item Number</b>	<b>Description</b>	<b>Remarks</b>
1B,2A,2B,3-14,16	925103	24" TYPE B-3X KIT W/PN BLK HR	3X Multiplier Plastic Coated Handrim



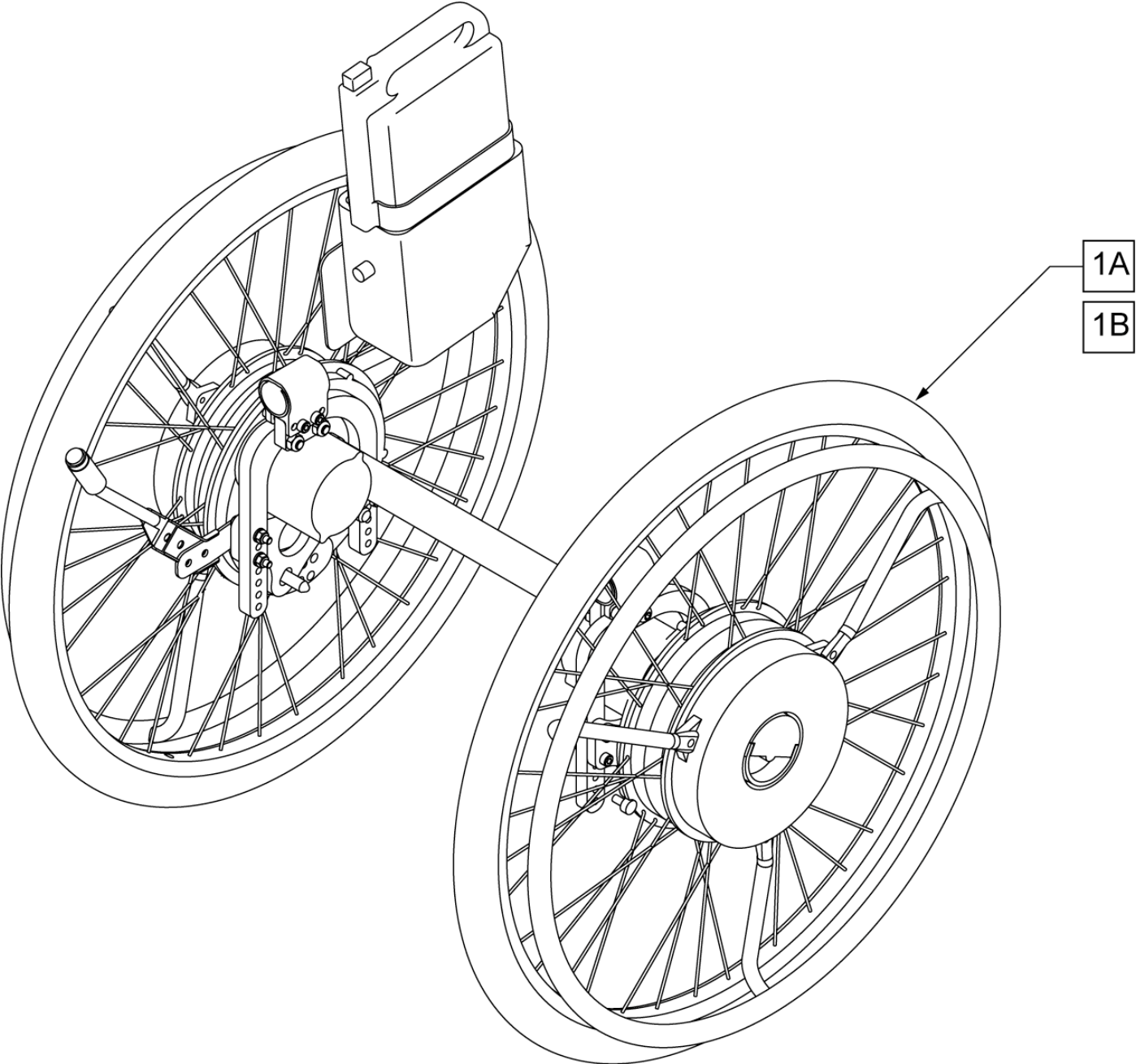
Pos.	Item Number	Description
1	107008	YAMAHA SENSOR KIT
2	107005	YAMAHA RECEPTICAL KIT
3	107010	YAMAHA COUPLER HRNS
4	107007	YAMAHA ROTARY TRANS KIT
5	107009	YAMAHA MOTOR REPLACEMENT KIT
6	107012	YAMAHA SWITCH KIT
7	107006	YAMAHA DRIVE BELT KIT

Note: Chairs Built after S/N R3-010580 must order P/N 050195, new Axle Clamps will not work with Xtender.



Pos.	Item Number	Description	Remarks
2A	050235-001	STRUT XTENDER W/ DECAL 12W	
2B	050235-002	STRUT XTENDER W/ DECAL 13W	
2C	050235-003	STRUT XTENDER W/ DECAL 14W	
2D	050235-004	STRUT XTENDER W/ DECAL 15W	
2E	050235-005	STRUT XTENDER W/ DECAL 16W	
2F	050235-006	STRUT XTENDER W/ DECAL 17W	
2G	050235-007	STRUT XTENDER W/ DECAL 18W	
2H	050235-008	STRUT XTENDER W/ DECAL 19W	
2J	050235-009	STRUT XTENDER W/ DECAL 20W	
3	050131	WASHER FLAT M20	
4	050130	LOCKWASHER M20	
5	050137	NUT THIN M20	
6	050069	SLEEVE AXLE M20 x 51MM	
7	200113	NUT HEX NYLOCK M6 x 1	
8	250104	WASHER FLAT M6	
9	050067	BRACKET AXLE XTENDER	

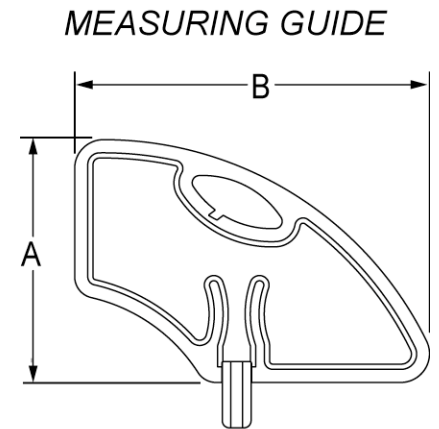
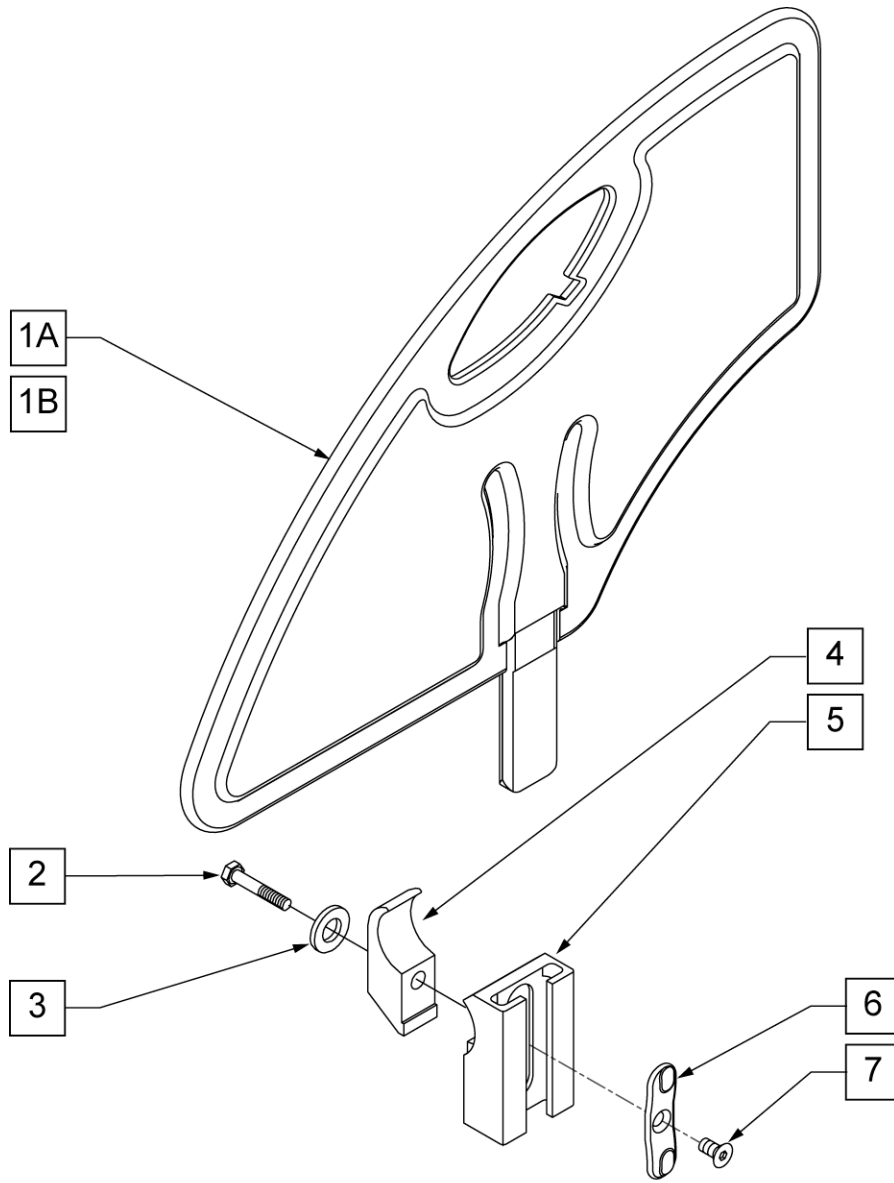
Pos.	Item Number	Description	Remarks
10	050232	PLATE AXLE XTENDER W/DECAL	
11	102266	BHCS M8 X 1.25 X 35 INORGANIC	
12	210072	M8 NYLOCK NUT	
13	050068	MOUNT AXLE PLATE XTENDER	
14	920407	ANTI-TIP RECEIVERS	Pair
15	265161	WASHER LOCK M12	
16	050128-001	BHCS M12 x 1.75 x 35MM	
17	102263-004	SHCS M6 X 1 X 35 INORGANIC	
18	050101	SLEEVE AXLE PLATE	
19	050057	CLAMP AXLE PLATE	
20	102263-002	SHCS M6 x 1 x 20 BLK	
21	102264	SCHS M8 X1.25 X 20 INORGANIC	
22	882912	ANTI-TIP ASSM REG LONG SLEEVE BLK	RIGHT
22	882913	ANTI-TIP ASSM REG LONG SLEEVE BLK	LEFT
1,14,22	050233	XTENDER AXLE PLT ASSY W/ ANTI-TIP	RIGHT
1,14,22	050234	XTENDER AXLE PLT ASSY W/ ANTI-TIP	LEFT
3-13,15-17	050251	XTENDER AXLE PLATE ASSM	RIGHT
3-13,15-17	050252	XTENDER AXLE PLATE ASSM	LEFT
18 -24	050195	STD AXLE PLATE CLMP RIGID W/ HDWR	





<b>Pos.</b>	<b>Item Number</b>	<b>Description</b>	<b>Remarks</b>
1A	050280-009	XTNDR GT KIT 12"W PNEU PLST	3 X TORQUE MULTIPLIER
1A	050280-013	XTNDR GT KIT 13"W PNEU PLST	3 X TORQUE MULTIPLIER
1A	050280-017	XTNDR GT KIT 14"W PNEU PLST	3 X TORQUE MULTIPLIER
1A	050280-021	XTNDR GT KIT 15"W PNEU PLST	3 X TORQUE MULTIPLIER
1A	050280-025	XTNDR GT KIT 16"W PNEU PLST	3 X TORQUE MULTIPLIER
1A	050280-029	XTNDR GT KIT 17"W PNEU PLST	3 X TORQUE MULTIPLIER
1A	050280-033	XTNDR GT KIT 18"W PNEU PLST	3 X TORQUE MULTIPLIER
1A	050280-037	XTNDR GT KIT 19"W PNEU PLST	3 X TORQUE MULTIPLIER
1A	050280-041	XTNDR GT KIT 20"W PNEU PLST	3 X TORQUE MULTIPLIER
1B	050280-010	XTNDR GT KIT 12"W PNEU S/S	1.5 X TORQUE MULTIPLIER
1B	050280-014	XTNDR GT KIT 13"W PNEU S/S	1.5 X TORQUE MULTIPLIER
1B	050280-018	XTNDR GT KIT 14"W PNEU S/S	1.5 X TORQUE MULTIPLIER
1B	050280-022	XTNDR GT KIT 15"W PNEU S/S	1.5 X TORQUE MULTIPLIER
1B	050280-026	XTNDR GT KIT 16"W PNEU S/S	1.5 X TORQUE MULTIPLIER
1B	050280-030	XTNDR GT KIT 17"W PNEU S/S	1.5 X TORQUE MULTIPLIER
1B	050280-034	XTNDR GT KIT 18"W PNEU S/S	1.5 X TORQUE MULTIPLIER
1B	050280-038	XTNDR GT KIT 19"W PNEU S/S	1.5 X TORQUE MULTIPLIER
1B	050280-042	XTNDR GT KIT 20"W PNEU S/S	1.5 X TORQUE MULTIPLIER

**NOTE:** Effective on GT chairs after S/N R3-012700 & R3A-012762.  
**NOTE:** Effective on GTi chairs after S/N T4-505800 & T4A-505900.

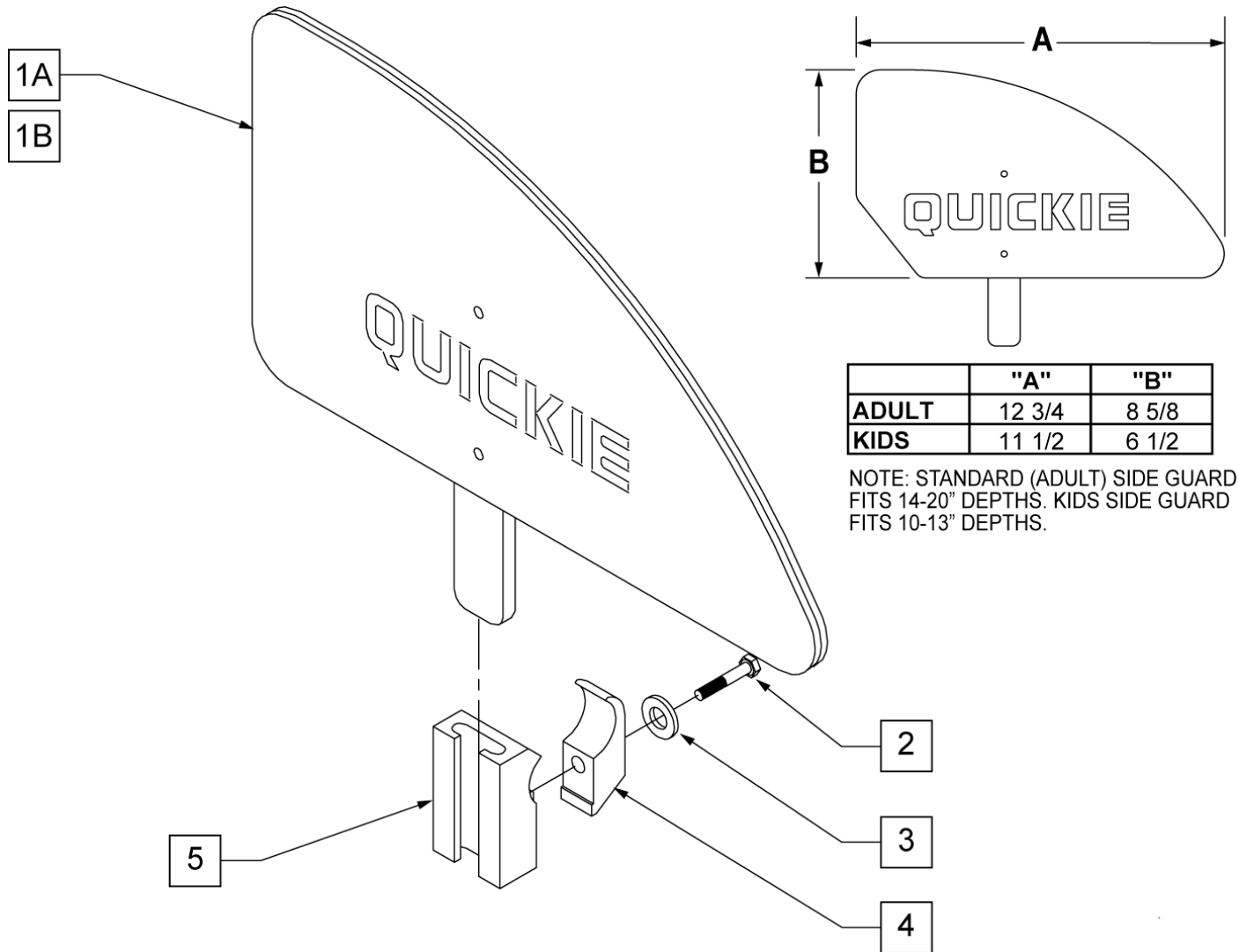


	SMALL	STD
"A"	6.4"	8.4"
"B"	11.0"	12.3"

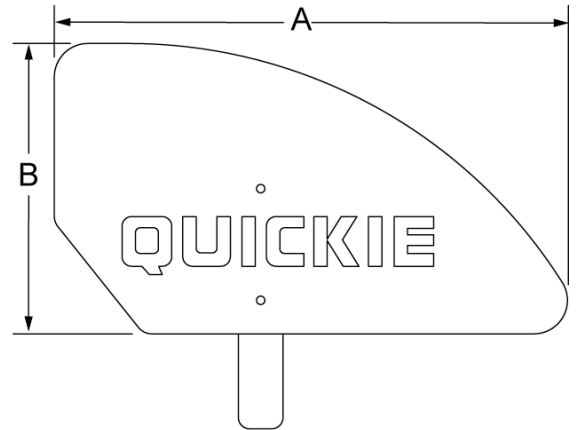
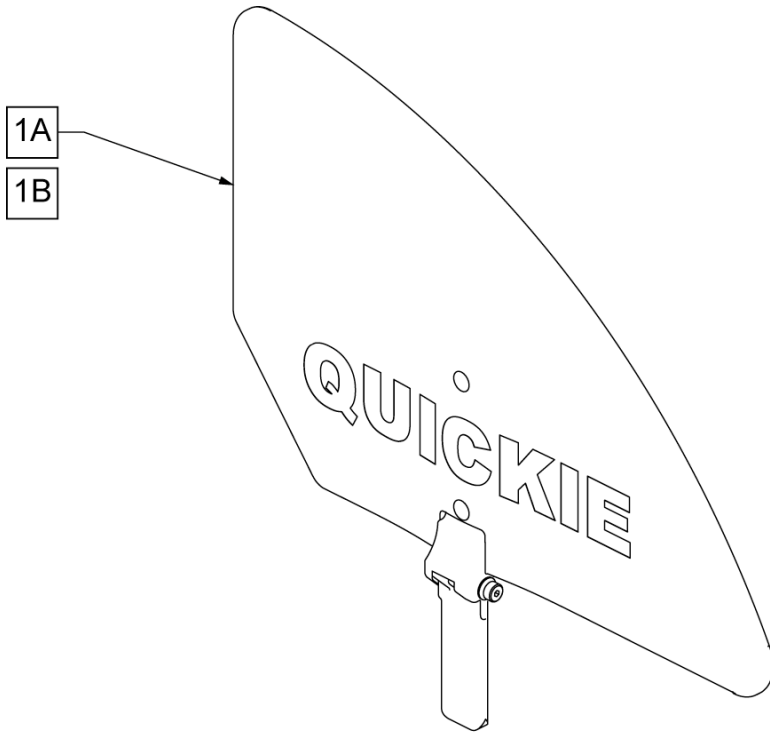
Pos.	Item Number	Description	Remarks
1A	104164-001	SIDE GUARD ASSY STD	STANDARD
1B	104164-002	SIDE GUARD ASSY SMALL	SMALL
2	102268-002	HHCS M6 x 1 x 35 INORG	
3	250104	WASHER FLAT M6	
4	550063	REC SIDE GRD CLMP THREADED	
5	109383	RECEIVER SIDE GUARD LOW MOUNT	
6	108780	RECEIVER SG PLASTIC INSERT	
7	107135	FHCS #6-32 X 1/4 BLK	
1A-7	111170	SIDEGUARD STD W/ RECEIVER 1 1/8" ASSM	STANDARD
1B-7	111171	SIDEGUARD SMALL W/ RECEIVER 1 1/8" ASSM	SMALL
2-7	111172	SIDEGUARD RECEIVER 1 1/8" ASSM	

NOTE: Discontinued on GT chairs as of S/N R3-012700 & R3A-012762

NOTE: Discontinued on GTi chairs as of S/N T4-505800 & T4A-505900.

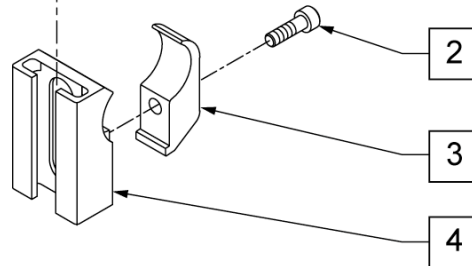


Pos.	Item Number	Description	Remarks
1A	881150	PLASTIC SIDE GUARD KIDS R	RIGHT-KIDS
1A	881151	PLASTIC SIDE GUARD KIDS L	LEFT-KIDS
1B	881152	PLASTIC SIDE GUARD STD R	RIGHT-ADULT
1B	881153	PLASTIC SIDE GUARD STD L	LEFT-ADULT FOLDING
2	221127	1/4-28 x 1 3/8 HEX C/S	
3	262110-QU	1/4 AN WASHER FLAT THIN	
4	550063	PLST SIDE GURD CLAMP XTR	
5	550062	PLST SIDE GURD REC 1-1/8" XTR	
2-5	881207	SIDE GUARD RECEIVER W/ CLAMP XTR	
1A,1B-5	901090	PLST SIDE GUARD KDS ASSM XT	Pair - Kids
1C,1D-5	901091	PLST SIDE GUARD STD ASSM XTR	Pair - Adult

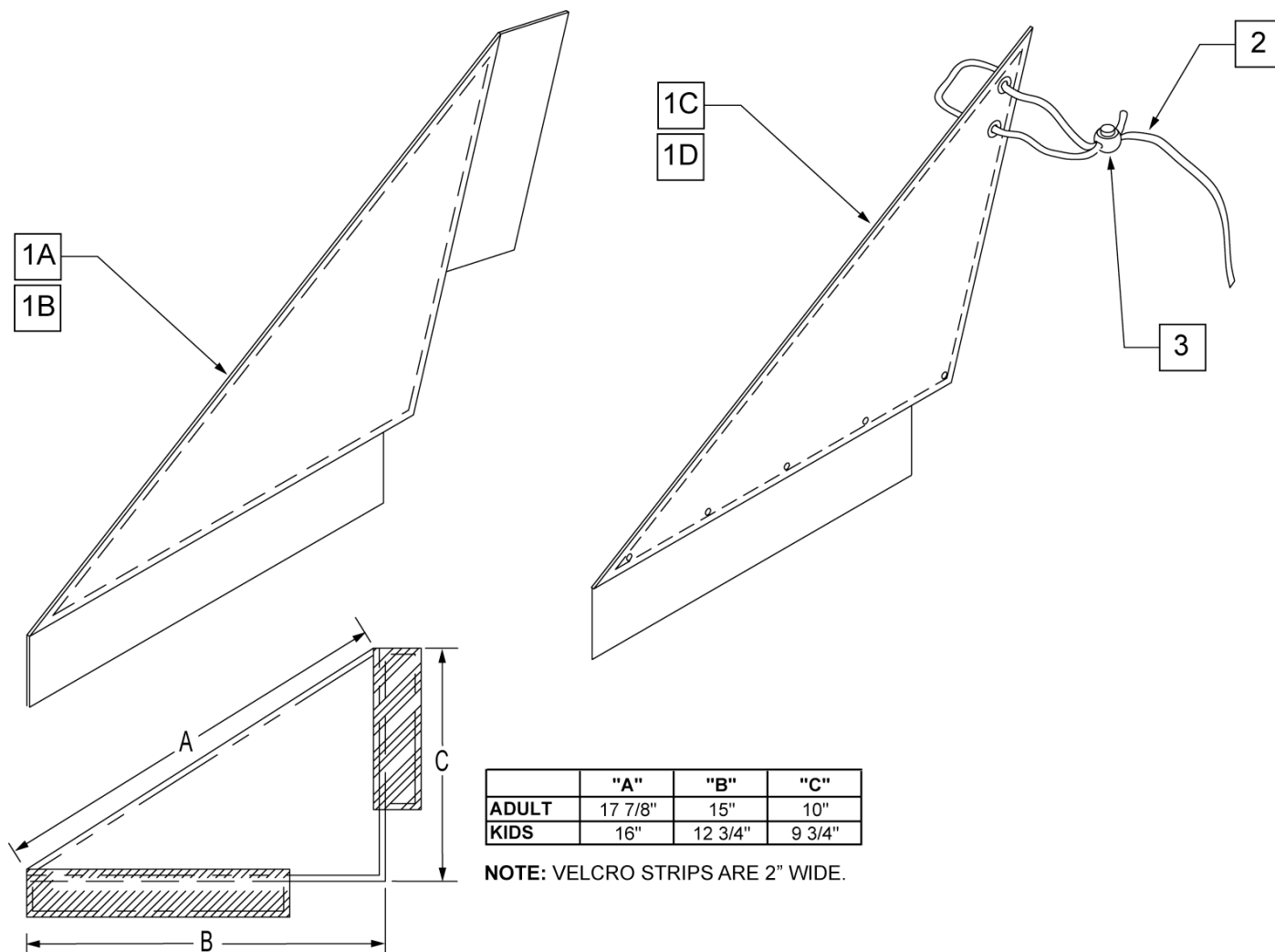


	"A"	"B"
<b>ADULT</b>	12 3/4	8 5/8
<b>KIDS</b>	11 1/2	6 1/2

NOTE: STANDARD (ADULT) SIDE GUARD FITS 14-20" DEPTHS. KIDS SIDE GUARD FITS 10-13" DEPTHS.

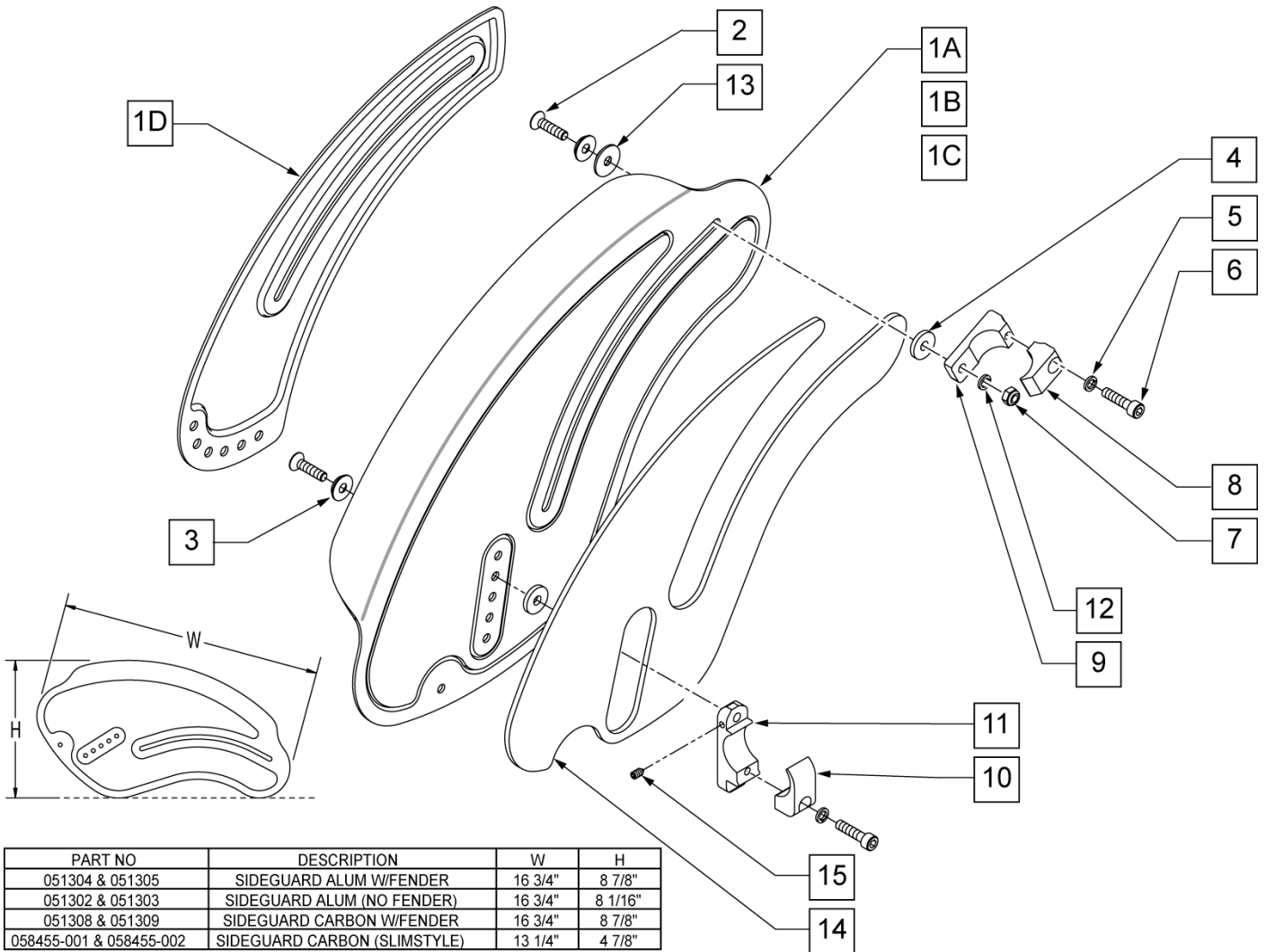


Pos.	Item Number	Description
1A	102796-001	FOLDING SIDE GUARD ASSM ADULT RH
1A	102796-002	FOLDING SIDE GUARD ASSM ADULT LH
1B	102796-003	FOLDING SIDE GUARD ASSM KIDS RH
1B	102796-004	FOLDING SIDE GUARD ASSM KIDS LH
2	102268-002	BHCS 1/4-28 X 1-1/4 ROHS
3	550063	REC SIDE GUARD CLAMP THREADED
4	109383	RECEIVER SIDE GUARD LOW MOUNT
2-4	881207	SIDE GUARD RECEIVER W/ CLAMP XTR



Pos.	Item Number	Description	Remarks
1A	750400	SIDE GUARD REG Q1 R	RIGHT-ADULT-Used w/ Straight Back
1A	750401	SIDE GUARD REG Q1 L	LEFT-ADULT-Used w/ Straight Back
1A	901102	SIDE GUARDS REG NF	PAIR-ADULT-Used w/ Straight Back
1B	750402	SIDE GUARD KIDS Q1 R	RIGHT-KIDS-Used w/ Straight Back
1B	750403	SIDE GUARD KIDS Q1 L	LEFT-KIDS-Used w/ Straight Back
1B	901100	SIDE GUARDS KIDS NF	PAIR-KIDS-Used w/ Straight Back
1C	750240	SIDE GUARD FABRIC SHORT Q2 R	RIGHT-KIDS-Used w/ Integral Push Handle
1C	750241	SIDE GUARD FABRIC SHORT Q2 L	LEFT-KIDS-Used w/ Integral Push Handle
1D	750434	SIDE GUARD REG W/VELCRO R	RIGHT-ADULT-Used w/ Integral Push Handle
1D	750435	SIDE GUARD REG W/VELCRO L	LEFT-ADULT-Used w/ Integral Push Handle
2	750050	SIDE GUARD LACE Q2	
3	560220	B-LOCK	
1D-2,3	901109	SIDE GUARDS REG EX/RV	PAIR-ADULT-Used w/ Integral Push Handle
1C,2,3	901121	SIDE GUARDS KIDS FABRIC Q2 NEW	PAIR-KIDS-Used w/ Integral Push Handle

**NOTE:** ITEMS 1A, 1B, & 1C WILL NOT WORK WITH GT or GTi 'with FOLDING BACKREST' CHAIRS AS OF S/N R3-012700 & R3A-012762 (GT), T4-505800 & T4A-505900 (GTi).

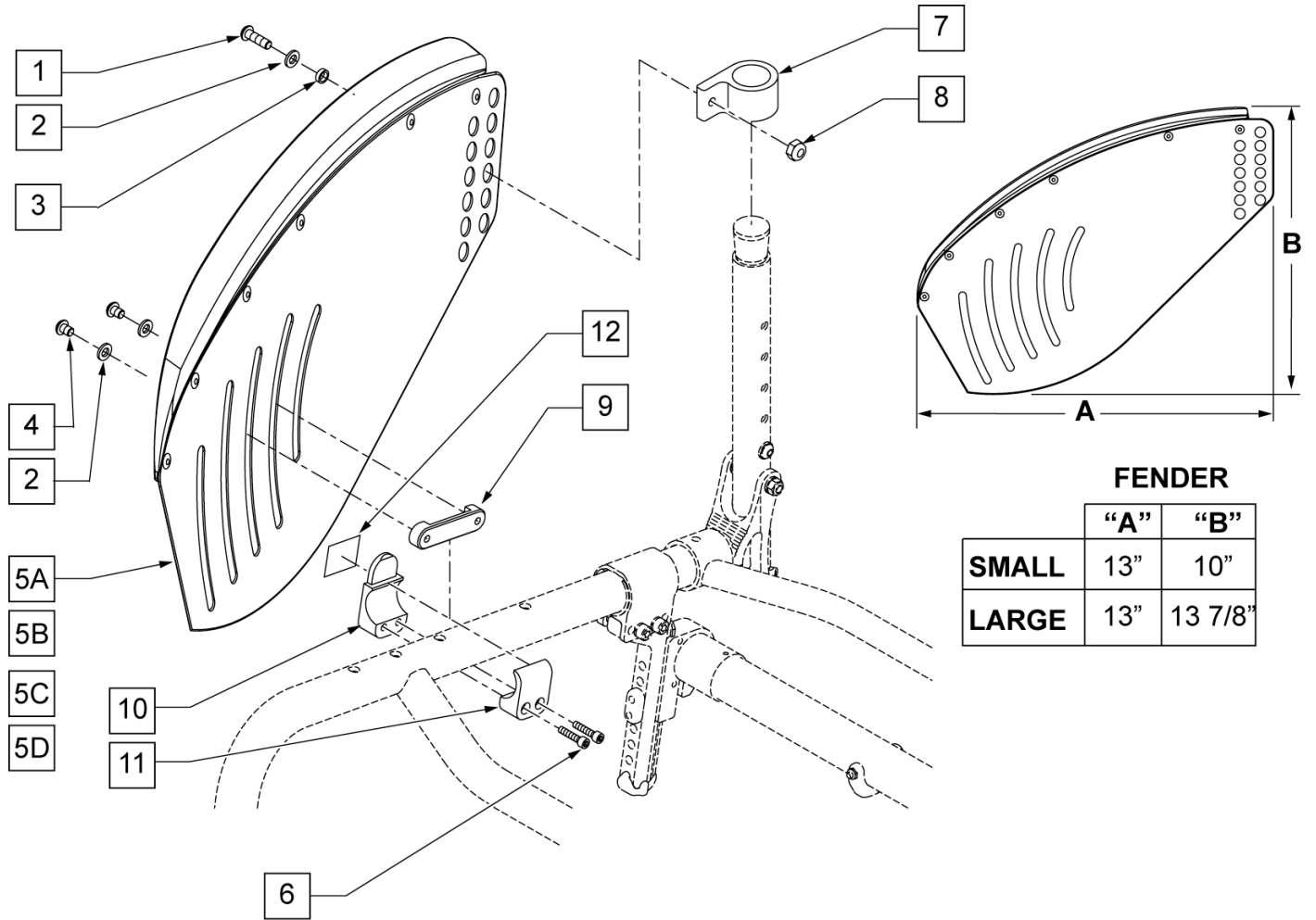


Pos.	Item Number	Description	Remarks
1A	051302	SIDEGUARD ALUMINUM	LEFT
1A	051303	SIDEGUARD ALUMINUM	RIGHT
1B	051304	SIDEGUARD ALUMINUM W/ FENDER	LEFT
1B	051305	SIDEGUARD ALUMINUM W/ FENDER	RIGHT
1C	051308	SIDEGARD CARBON W/ FENDER	LEFT
1C	051309	SIDEGARD CARBON W/ FENDER	RIGHT
1D	058455-001	SIDEGUARD CARBON	LEFT
1D	058455-002	SIDEGUARD CARBON	RIGHT
2	102265-003	FHCS M6 X 1 X 25 INORGANIC	
3	000 138 017	ROSETTE FOR M6 STEEL	
4	561026	3/4" WASHER 1/4" HOLE	
5	050129-001	LOCKWASHER HIGH COLLAR M6	
6	102263-003	SHCS M6 X 1 X 25 W/PL INORG	
7	200113	NUT HEX NYLOCK M6 X 1	

<b>Pos.</b>	<b>Item Number</b>	<b>Description</b>	<b>Remarks</b>
8	052176	CLAMP BACK SIDEGUARD	
9	052177	CLAMP BACK TAB SIDEGUARD	
10	052174	CLAMP SEAT SIDEGUARD	
11	101914	CLAMP SIDE GUARD	
12	250104	WASHER FLAT M6	
13	051469	PTFE WASHER D20	
14	051446-001	SIDEGUARD PROTECTION RIGHT	
14	051446-002	SIDEGUARD PROTECTION LEFT	
15	102109	SET SCREW M4X.7X6 NYLON PT	
1A-15	102112	ASSY SIDEGUARD ALUMINUM	
1B-15	102113	ASSY SIDEGUARD ALUMINUM/FENDER	
1C-15	102114	ASSY SIDEGUARD CARBON/FENDER	
1D-13,15	102115	ASSY SIDEGUARD CARBON	



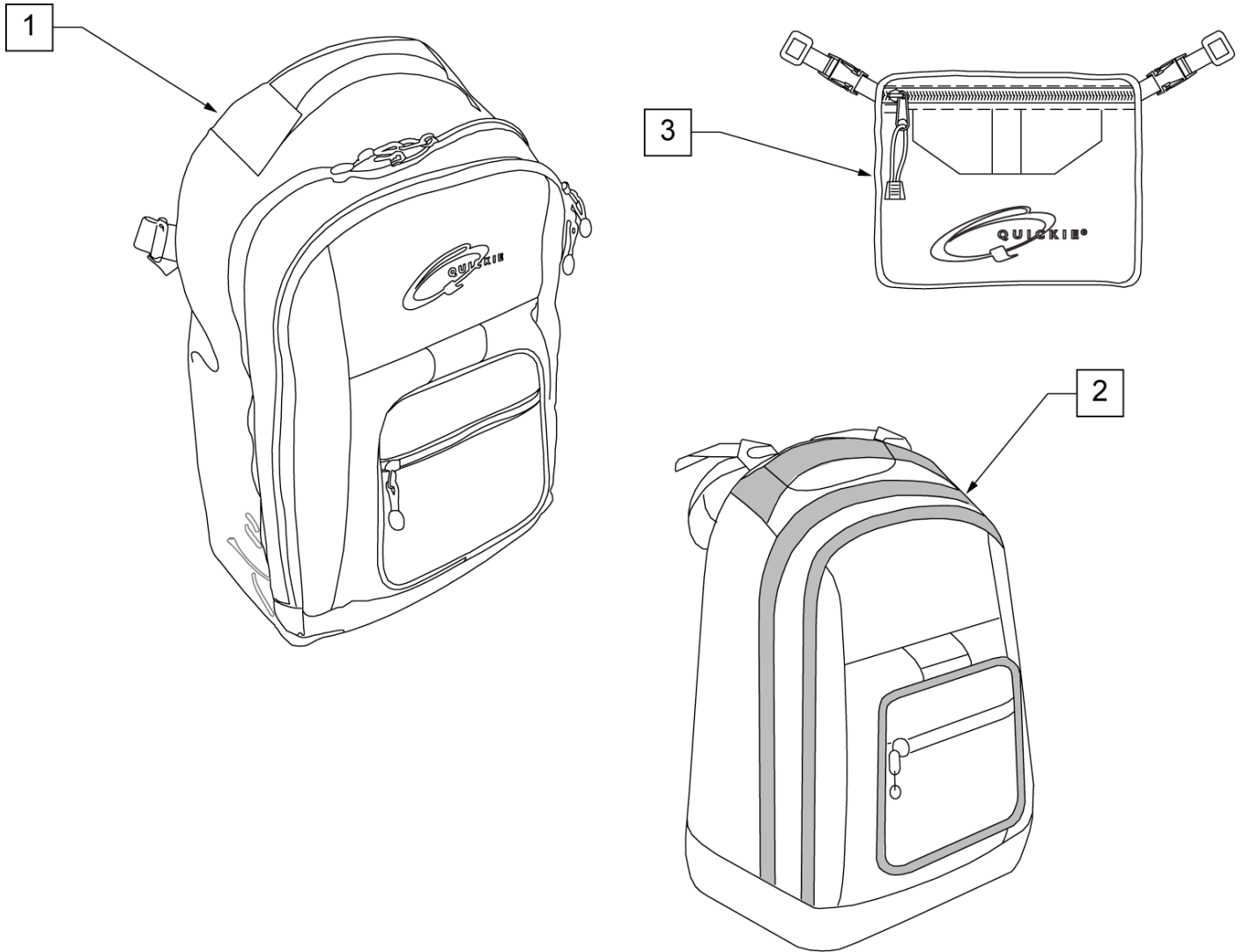
NOTE: Discontinued on GT chairs as of S/N R3-012700 & R3A-012762.



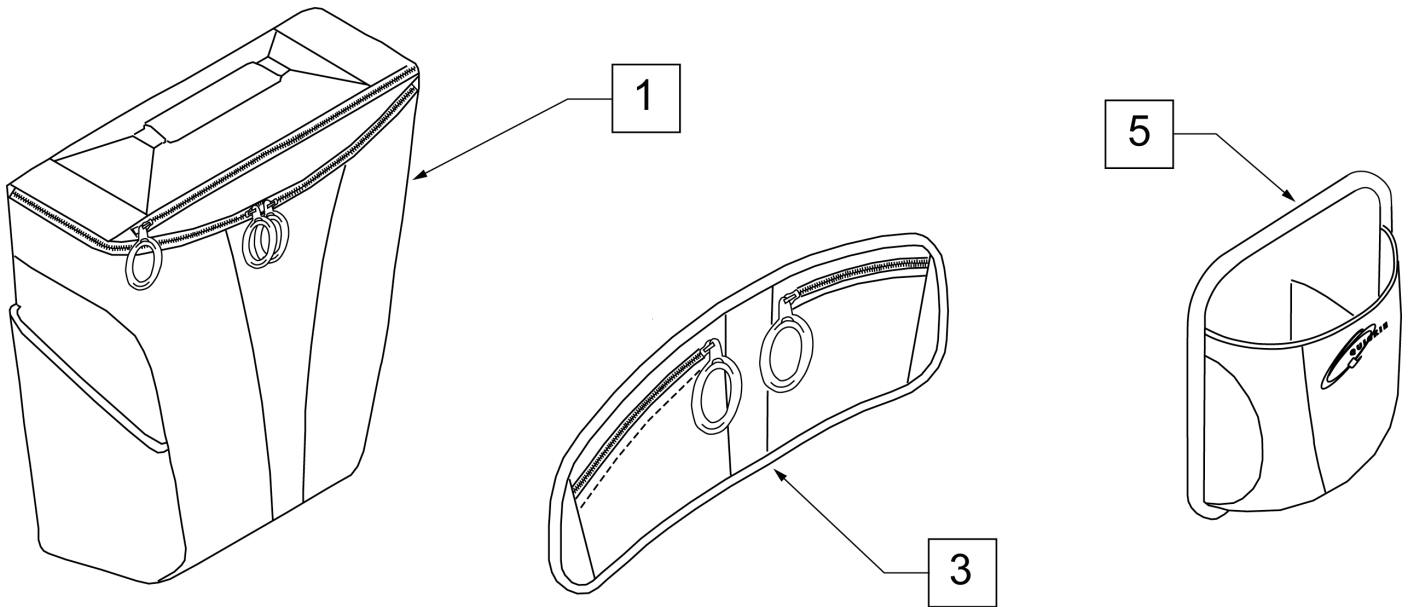
Pos.	Item Number	Description	Remarks
1	230032	BHCS,M6 x 1 x 16MM	
2	250104	WASHER, FLAT, M6	
3	481490	SPACER, SIDEGUARD	
4	102262-001	BHCS M6X1X8 FULL PL	
5A	050158-001	ASSM SM SIDE GRD W/FNDR BLK RH	RIGHT
5A	050159-001	ASSM SM SIDE GRD W/FNDR BLK LH	LEFT
5D	500543	SIDEGUARD PLT BLK LRG NO FNDR	
5B	050158-002	ASSM LG SIDE GRD W/FNDR BLK RH	RIGHT
5B	050159-002	ASSM LG SIDE GRD W/FNDR BLK LH	LEFT
5C	500541	SIDEGUARD PLT BLK SML NO FNDR	
6	102262-003	BHCS,M6 x 1 x 20MM	
7	483351	PIVOT SIDEGUARD,BLK	
8	200113	NUT, HEX, NYLOCK, M6 x 1	
9	483350	CLAMP C-CLIP SIDEGUARD BLK	
10	050044	CLAMP OUTBRD SIDEGUARD	
11	050045	CLAMP INBRD SIDEGUARD	
6,10, 11,12	883162	SIDEGUARD CLAMP ASSM	

<b>Pos.</b>	<b>Item Number</b>	<b>Description</b>	<b>Remarks</b>
1-5A,6-12	050236	SIDGUARD SML W/FNDR HDWR RH	RIGHT
1-5A,6-12	050237	SIDGUARD SML W/FNDR HDWR LH	LEFT
1-5A,6-12	050242	SIDGUARD SML W/FNDR HDWR	PAIR
1-4,5B,6-12	050238	SIDGUARD LRG W/FNDR HDWR RH	RIGHT
1-4,5B,6-12	050239	SIDGUARD LRG W/FNDR HDWR LH	LEFT
1-4,5B,6-12	050243	SIDGUARD LRG W/FNDR HDWR	PAIR
1-4,5C,6-12	050240	SIDGUARD SML NO/FNDR HDWR	
1-4,5C,6-12	050244	SIDGUARD SML NO/FNDR HDWR	PAIR
1-4,5D,6-12	050241	SIDGUARD LRG NO/FNDR HDWR	
1-4,5D,6-12	050245	SIDGUARD LRG NO/FNDR HDWR	PAIR

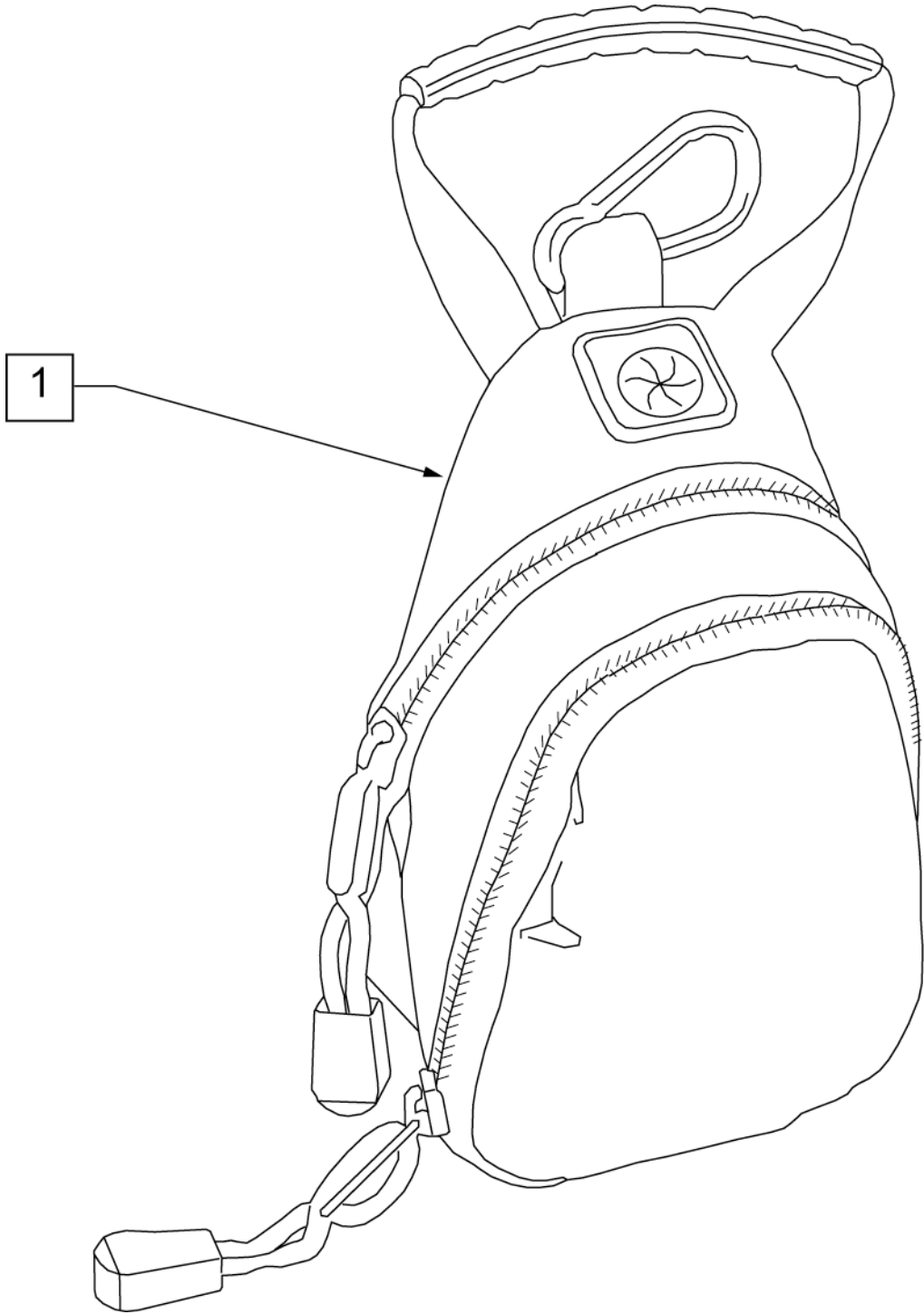
NOTE: KIDS BACKPACKS DO NOT HAVE ADJUSTABLE STRAPS W/ BUCKLES.



Pos.	Item Number	Description
1	750115	BACK PACK QUICKIE
2	104572	BACKPACK ZIPPIE
3	750307	SEAT POUCH QUICKIE



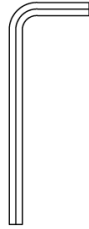
Pos.	Item Number	Description	Remarks
1	013479	QUICKIE EXPRESS PACK	Size: 15.25"x 13"x 4"
2	013477	LAP ORGANIZER	Size: 18.25"x 7.75"x .75"
3	013475	QUICKIE SIDE POCKET	Size: 6.5"x 6.5"x 2"



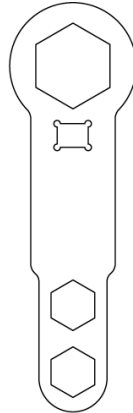
Pos.	Item Number	Description
1	109229	CELL PHONE PACK (ORANGE)



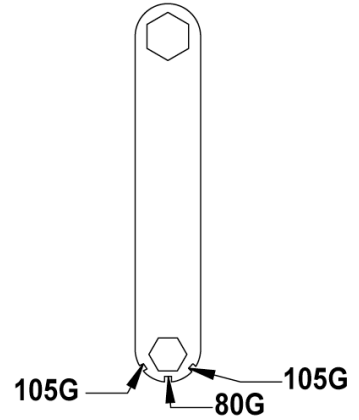
SOCKET WRENCH



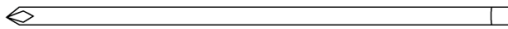
ALLEN WRENCH



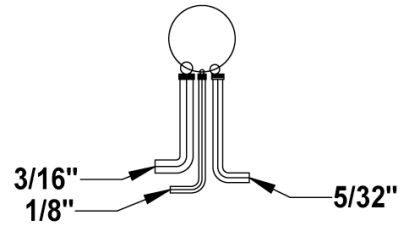
CLOSE WRENCH



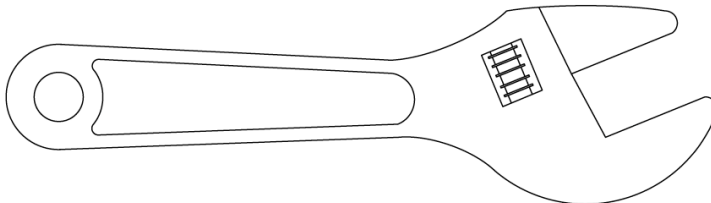
SPOKE WRENCH



SCREW DRIVER

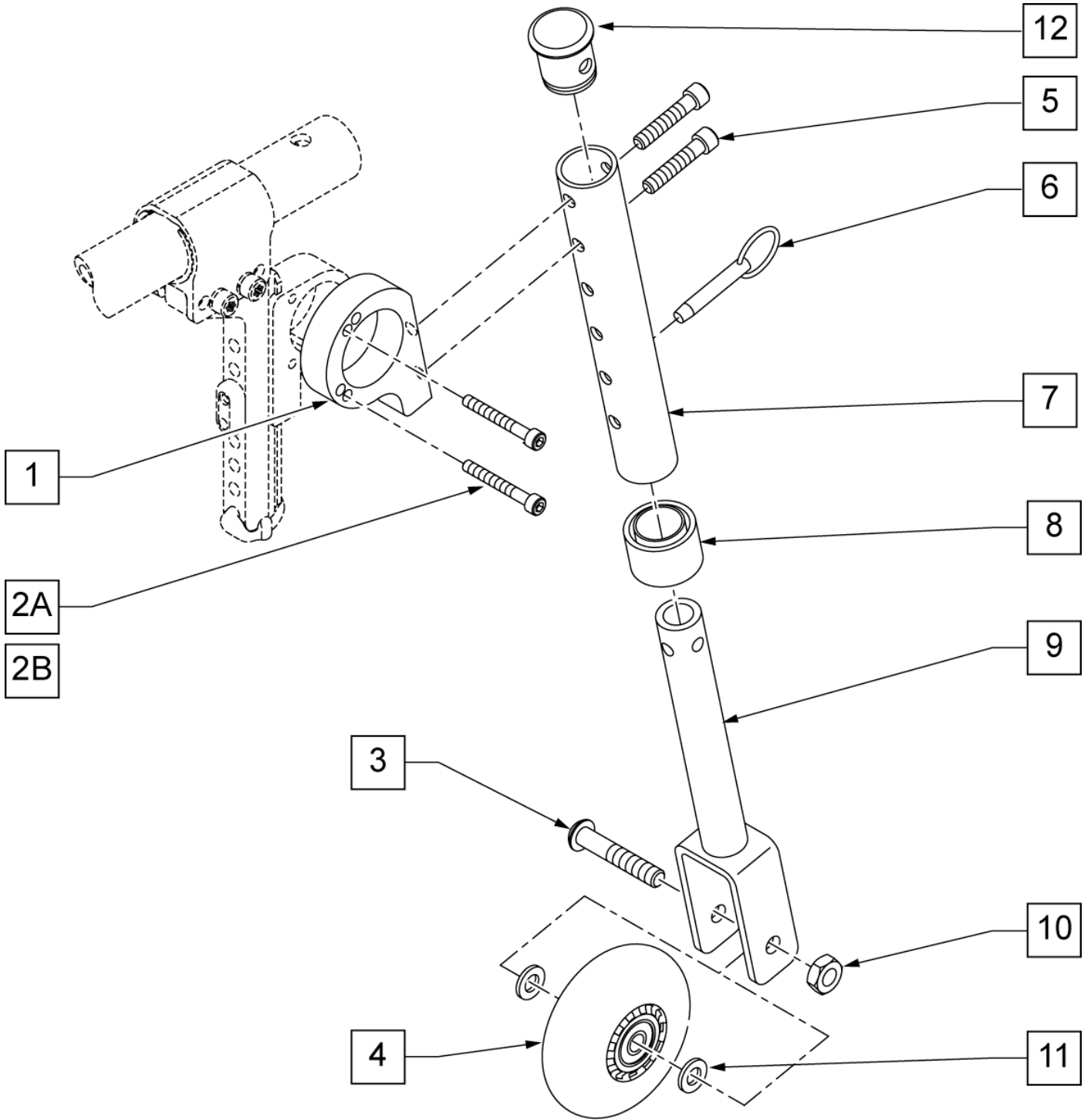


HEX WRENCH  
3 PIECE



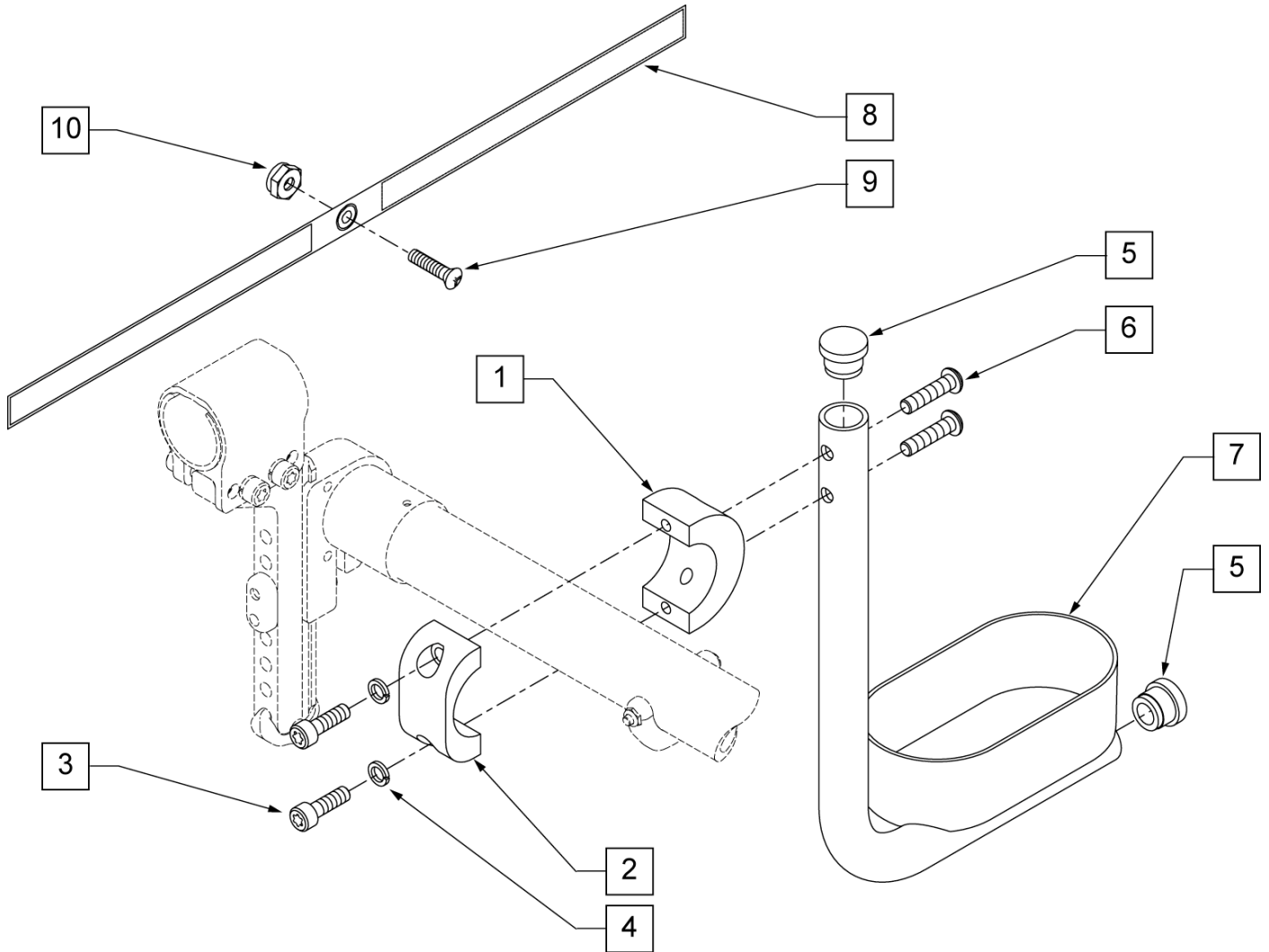
MONKEY WRENCH 6"

Pos.	Item Number	Description
1	108314	QUICKIE COMBO TOOL KIT



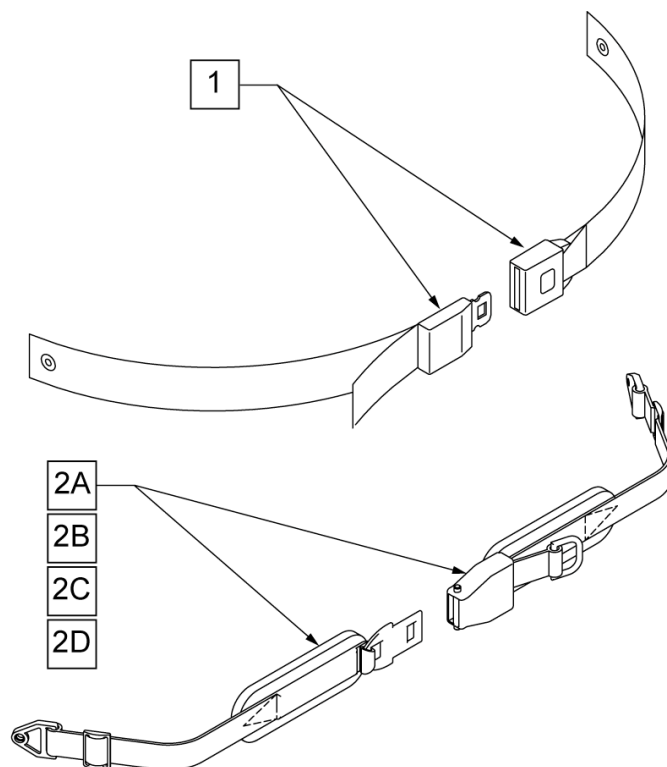
Pos.	Item Number	Description	Remarks
1	050145	MOUNT TRAVEL WHEEL	
2A	102260-002	SHCS M5 X .8 X 25 INORGANIC	USED W/ ANTI-TIP
2B	102260-003	SHCS M5 X .8 X 35 INORGANIC	USED W/O ANTI-TIP
3	106982	BHCS 5/16-18 X 1-3/4 SHLD ROHS	
4	400092	3" MICRO CASTER W/BRNG (PR)	
5	102263-004	SHCS M6 X 1 X 35 INORGANIC	
6	330027	QUICK RELEASE PIN 1/4"	
7	528031	TRAVEL WHEEL MOUNT TUBE Q2	
8	561018	1" TUBE END BUSHING THICK	
9	542160	FORK EXT WLDMT TRVL WHEEL Q2	
10	202102	5/16-18 NYLOCK NUT THIN	
11	263100	5/16 AN WASHER FLAT	
12	560999	1" INSERT PLUG .083 W/1/4 HOLE	
1,2A,5	050247	ASSM MNT TRVL WHL W/O ANTI-TIP	USED W/O ANTI-TIP
1,2B,5	050246	ASSM MNT TRVL WHL W/ANTI-TIP	USED W/ ANTI-TIP
3,4,6-12	050171	TRAVEL WHEEL ASSM GT	



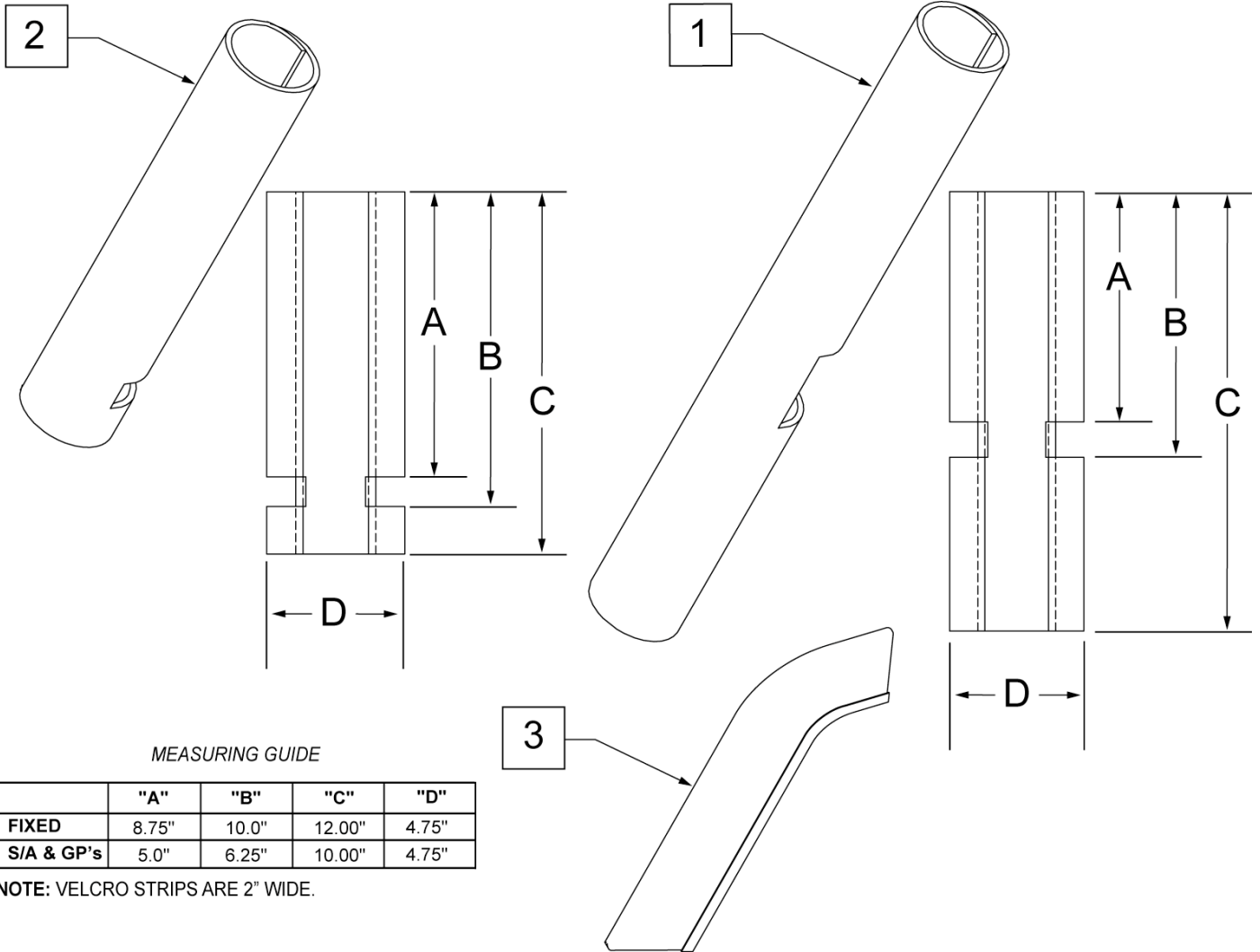


Pos.	Item Number	Description
1	050076	CLAMP SADDLE CRUTCH HOLDER
2	050077	CLAMP CRUTCH HOLDER
3	102263-001	SHCS M6 x 1 x 16 FULL NP
4	050129-001	LOCKWASHER HIGH COLLAR M6
5	561000-QU	3/4" INSERT PLUG .083
6	102262-004	BHCS M6 X 1 X 25 W/PL INORG
8	750495	CRUTCH HOLDER STRAP F
9	281110	10-32 X 1/2 PAN PHIL
10	200100-QU	10-32 NYLOCK NUT
1-10	050169	ASSM CRUTCH HOLDER GT W/HDWR

**NOTE:** WHEN MOUNTING POSITIONING BELTS TO THE GT OR GTI, IT IS RECOMENDED TO ATTACH THE BELT BY USING THE BACKREST SUPPORT BRACKET HARDWARE.



Pos.	Item Number	Description	Remarks
1	750276	1 1/2" POSITION BELT	AUTOSTYLE-64" Max length of belt.
2A	450418-QU	BELT 2" AIRCRAFT BUCKLE	AIRCRAFT-64" Max length of belt.
2B	450423-QU	BELT 2" AIRCRAFT BUCKLE W/PAD	AIRCRAFT PADDED-64" Max length of belt.
2C	450424	BELT 2" AIRCRAFT BKL LONG W/PAD	AIRCRAFT PADDED- 72" Max length of belt.
2D	450425	BELT 2" AIRCRAFT BKL LONG	AIRCRAFT -72" Max length of belt.

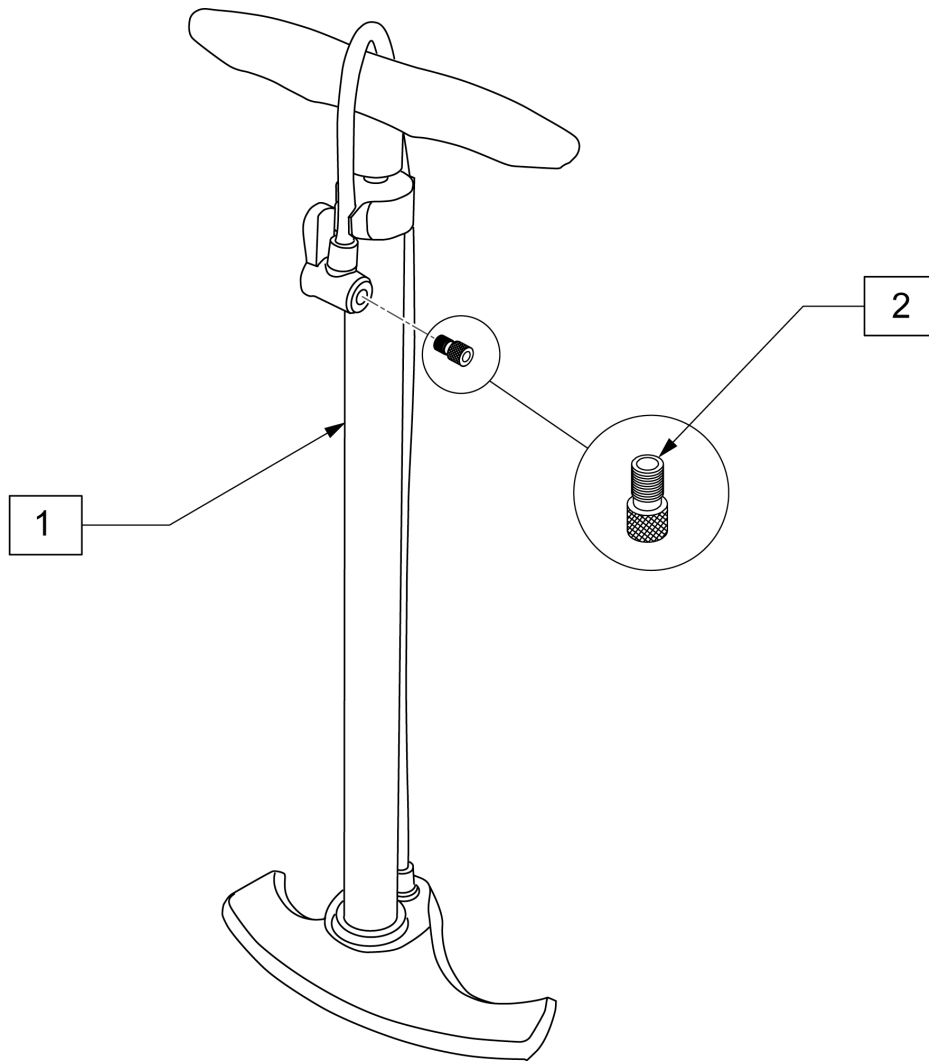


MEASURING GUIDE

	"A"	"B"	"C"	"D"
FIXED	8.75"	10.0"	12.00"	4.75"
S/A & GP's	5.0"	6.25"	10.00"	4.75"

NOTE: VELCRO STRIPS ARE 2" WIDE.

Pos.	Item Number	Description	Remarks
1	750316	IMPACT GUARDS NEOPRENE FIXED (PR)	PAIR-Fixed Front Frame
2	750317	IMPACT GUARDS NEOPRENE S/A	PAIR-S/A Footrest & Q7
3	109231	GEL VELCRO PAD HANGER/FRAME	PAIR- fits S/A & Fixed Front Frame



Pos.	Item Number	Description
1	389050	TIRE PUMP
2	381230	VALVE ADAPTER PRESTA



