



QUICKIE 2

PARTS MANUAL

Sunrise Medical appreciates your business. For your ordering convenience, our Customer Service Representatives can be contacted at:

**To place orders:
(800)333-4000**

Quickie Technical Assistance:

You can reach our Technical Support Team by choosing prompt 1 followed by the # sign, then prompt 2 for Technical Support. Choose option 1 for Quickie Technical Support.

**For Assistance with a Web Order,
or to sign up for sunrisemedical.com
(800) 333-4000 Option 5**

**FOR YOUR CONVENIENCE YOU MAY PLACE ORDERS THROUGH
OUR WEBSITE OR BY FAX 24 HOURS A DAY:**

www.sunrisemedical.com

Fax: (800)300-7502

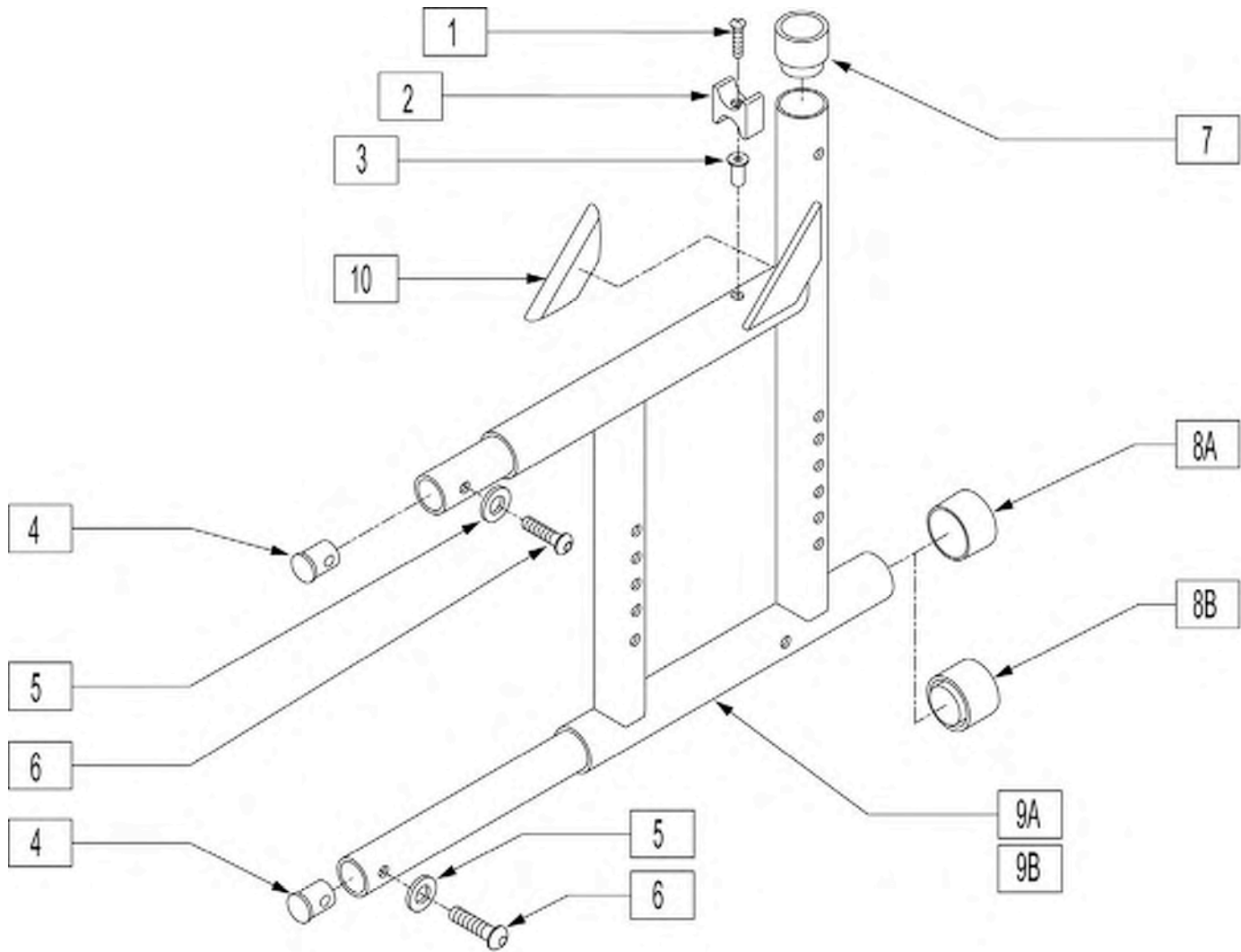
For easy reference please fill in your Customer Number and Sunrise Account Manager's name.

Customer Account Number _____
Ship to Account Number _____
Sunrise Account Manager _____

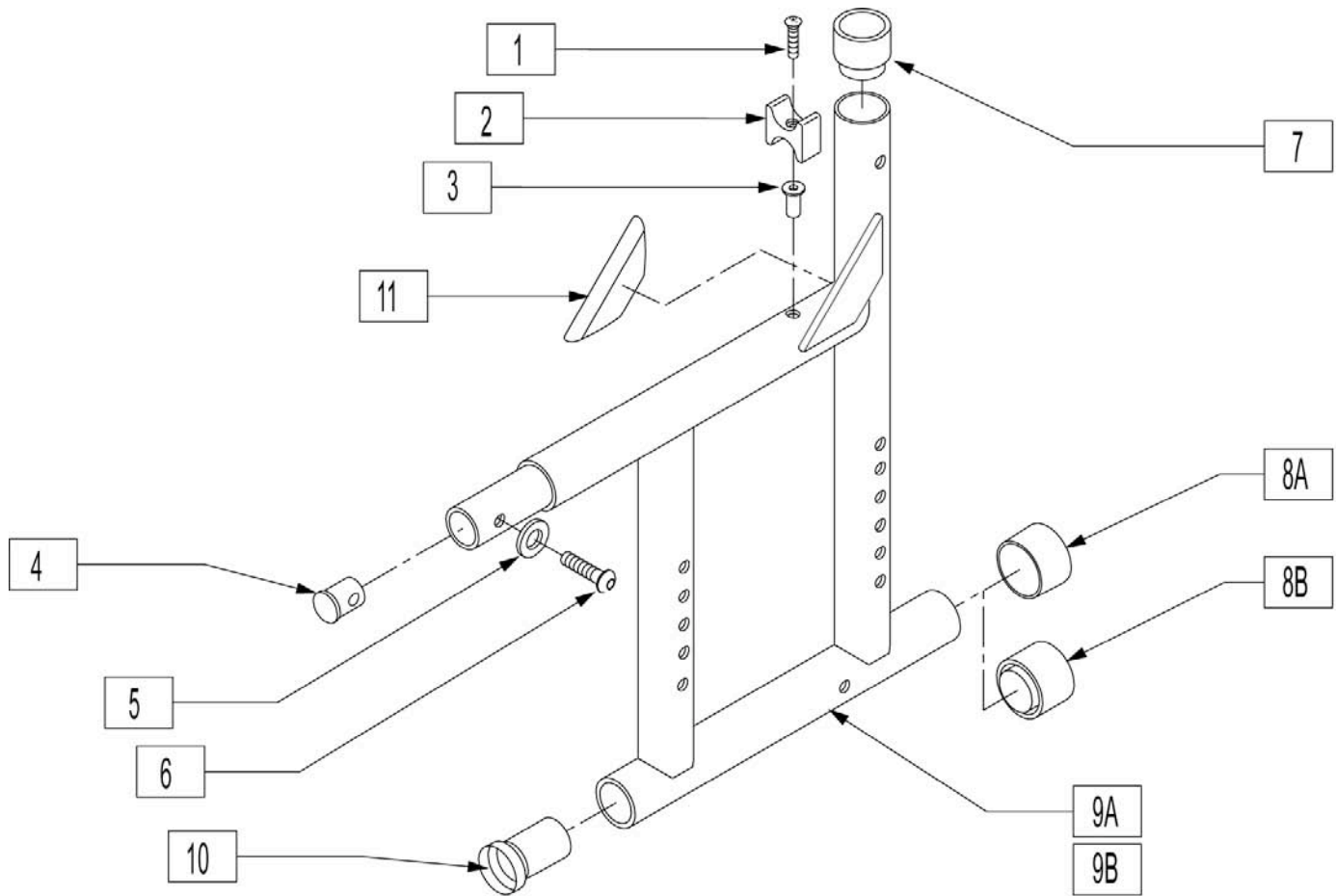
*Part prices and configurations or specifications of products included in this Parts Manual are subject to change without prior notice.

QUICKIE 2.....	5
FRAMES	5
Q2 - REAR SIDE FRAME.....	5
Q2 - HEMI REAR SIDE FRAME.....	6
Q2 DEPTH ADJUSTABLE BACK FRAME.....	7
Q2 - Rounded Rear Side Frame.....	8
Q2 - HEMI ROUNDED REAR SIDE FRAME	9
Q2HP - Fixed Front Side Frame 60-70.....	10
Q2 - Swing-Away Front Side Frame.....	11
Q2 - Hemi Swing-Away Front Side Frame	12
Q2 - XL Hemi Swing-Away Front Side Frame	13
Q2 - Cross Tube Assm 11-13.....	14
Q2 - Cross Tube Assm 14-20.....	15
Q2 - Cross Tube Assm 18-22.....	17
Q2 - Cross Tube Extensions	19
Q2 - Cross Tube and Seat Sling	20
ANTI-TIPS	21
ANTI - TIP	22
ARMRESTS	23
PADDED SWING-AWAY ARMREST.....	24
LENGTH ADJUSTABLE LOCKING FLIP-UP ARMREST	26
FLIP-BACK ARMREST	28
FLIP-BACK ARMREST TI	30
FLIP-BACK HEIGHT ADJUSTABLE ARMREST.....	32
FLIP-BACK HEIGHT ADJUSTABLE ARMREST TI	34
ADULT ARMREST RECEIVERS	36
KIDS ARMREST RECEIVERS.....	37
ADJUSTABLE LOCKING FLIP-UP ARMREST.....	38
FOOTREST & HANGERS.....	38
COMPOSITE FOOTPLATE.....	39
HIGH MOUNT EXTENSION TUBE.....	41
ROUND EXTENSION TUBE.....	42
FOOTREST EXTENSION.....	43
ALUMINUM FOOTPLATE.....	44
ONE PIECE ANGLE ADJ FOOTPLATE.....	45
ADULT ANGLE-ADJ FOOTPLATE 70-80-90.....	47
ADULT ANGLE-ADJUSTABLE FOOTPLATE.....	49
KIDS ANGLE-ADJ FOOTPLATE 70-80-90	51
PLATFORM FLIP-UP FOOTPLATE.....	53
KIDS ANGLE ADJUSTABLE FOOTPLATE	55
FOAM FOOTPLATE.....	57
SOLID FOOTBOARD.....	58
60 DEG SWING-AWAY HANGER	59
70 DEG SWING-AWAY HANGER	60
70 DEG V SWING-AWAY HANGER.....	61
HEMI 70 DEG SWING-AWAY HANGER	62
70 DEG SWING-AWAY FRONT MOUNT HANGER.....	63
80 DEG SWING-AWAY FRONT MOUNT HANGER.....	64
90 DEG SWING-AWAY FRONT MOUNT HANGER.....	65
90 DEG KIDS ELR	66
ELEVATING LEGREST	68
HEMI ELEVATING LEGREST.....	70
90 DEG HEMI ELR.....	72
HEMI ELR KNEE PAD	74
ELR CALF PAD 14-15.....	75
ELR CALF PAD 16-20.....	76
ARTICULATING LEGREST	77
KIDS ARTICULATING LEGREST	78
ARTICULATING LEGREST CALF PAD.....	80
KIDS ARTICULATING LEGREST CALF PAD	81
BACKRESTS.....	81
DAB BACKREST	82
7/8 PUSH HANDLE BACKREST AND UPHOLSTERY.....	84
7/8 NON-PUSH HANDLE BACKREST AND UPHOLSTERY	88
ANGLE ADJUSTABLE BACKREST.....	92
ADJUSTABLE BACK UPHOLSTERY	94
HEAVY DUTY BACK UPHOLSTERY	95
SWING-AWAY ADJUSTABLE STROLLER HANDLE.....	96
REMOVABLE STROLLER HANDLE.....	97
SOLID BACK.....	99

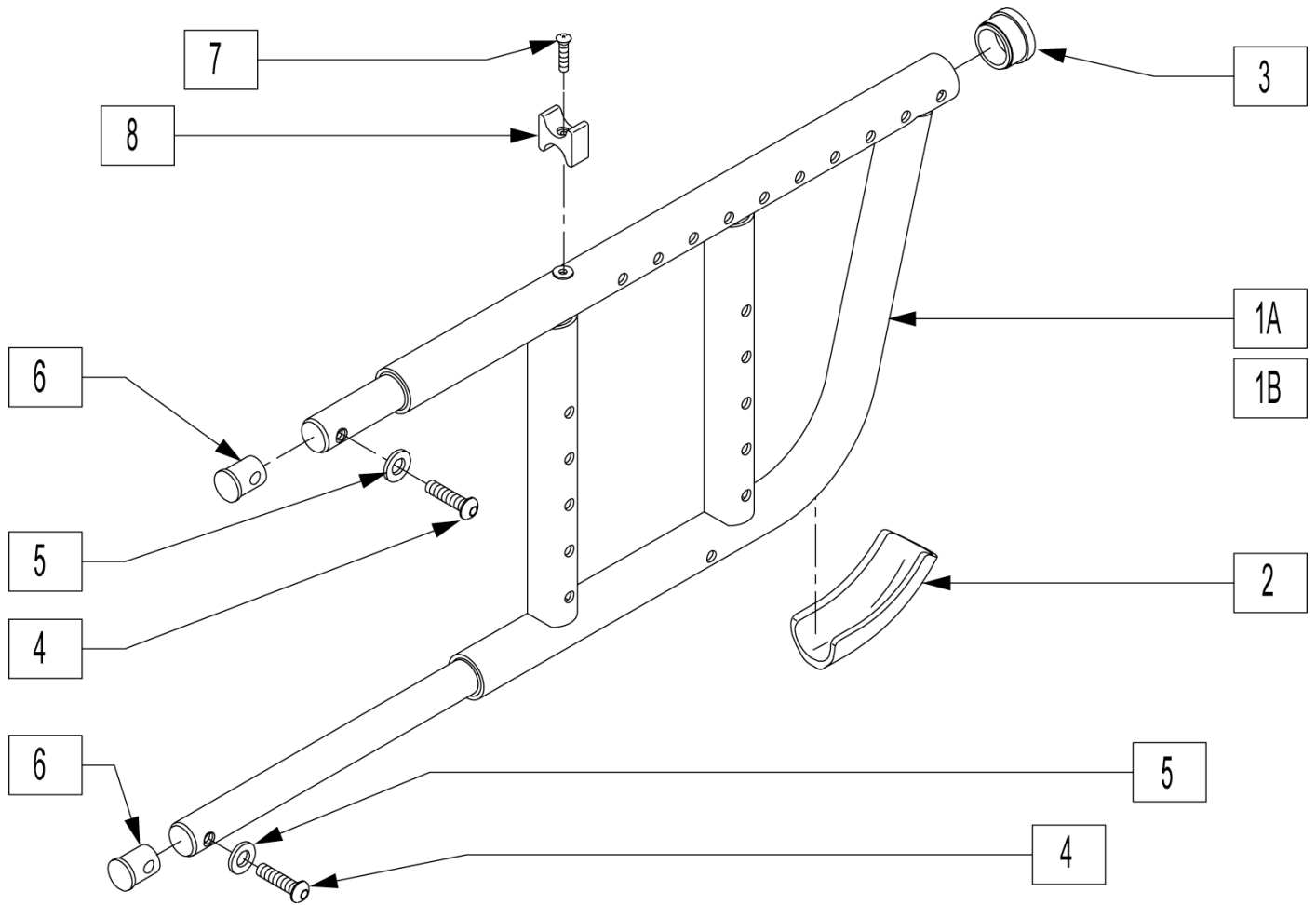
STROLLER HANDLE EXTENSION-REMOVABLE.....	101
BACKREST STABILIZER BAR	102
BACKREST CUSHION.....	104
REMOVEABLE SOLID SEAT AND BACK	105
JAY PRECISION BACKREST.....	106
JAY PRECISION BACK FOLDING STABILIZER BAR	109
SEATING.....	110
SEAT SLING	111
SEAT CUSHION	113
AXLES & AXLE PLATES	114
AXLE SLEEVE NON-INDEXED	115
AXLE SLEEVE INDEXED	116
CURVED AXLE PLATE INDEXED.....	117
AMPUTEE AXLE PLATE	118
AXLE PLATE.....	119
AXLE PLATE-OFFSET	120
CASTERS & FORKS.....	120
FORKS	121
FORK AND STEM ASSEMBLIES	122
CASTER STEMS	126
CASTER STEMS (PIN LOCK)	127
CASTER PIN LOCK	128
MULTI-POSITION FORK	129
QUICK-RELEASE CASTER STEM AND FORK ASSM	131
HIGH ANGLE CASTER PIN LOCKS.....	133
MULTI-POSITION FORK W/PIN LOCK PLATE.....	134
HIGH ANGLE CASTER PLATE	136
CASTER PLATE	137
FROG LEG SUSPENSION FORK	138
CASTERS	139
CASTER TIRES	141
WHEEL LOCKS	141
WHEEL LOCK PUSH TO LOCK	142
WHEEL LOCK PULL TO LOCK	144
Q2 UNILATERAL WHEEL LOCK.....	146
HIGH MOUNT SCISSOR WHEEL LOCK.....	147
HIGH WHEEL LOCK EXTENSION HANDLE.....	149
XTENDER	149
XTENDER KITS	150
XTENDER FORKS.....	152
ACCESSORIES	153
TOOL KIT	154
FABRIC ASIDE GUARD.....	155
TRAVEL WHEEL.....	156
CASE LOGIC BAGS	157
POSITIONING BELTS	158
ONE ARM DRIVE.....	159
PLASTIC SIDE GUARD	161
BACKPACKS AND SEAT POUCHES.....	162
CRUTCH HOLDER	163



Pos.	Item Number	Description	Remarks
1	281122	10-32 x 3/4 PAN PHIL	
2	561030	SUSPENSION SADDLE STD	
4	483001	Q2 FRAME/FOOT RETAINING PLUG	
5	262130	6mm WASHER WAVE	
6	226120	1/4-20 x 1 BH C/S	
7	561083	1-1/8" TUBE END BUSHING THIN	
8A	561014	1" MED CAP	
8B	561018	1" TUBE END BUSHING THICK	Use with anti-tips that mount in frame tube
10	341300	Q2 GUSSET WEAR STRIP	
1-8,9A,10	620120	REAR S/F PAINTED Q2 R 1 1/8	(SPECIFY COLOR)
1-8,9B,10	620121	REAR S/F PAINTED Q2 L 1 1/8	(SPECIFY COLOR)

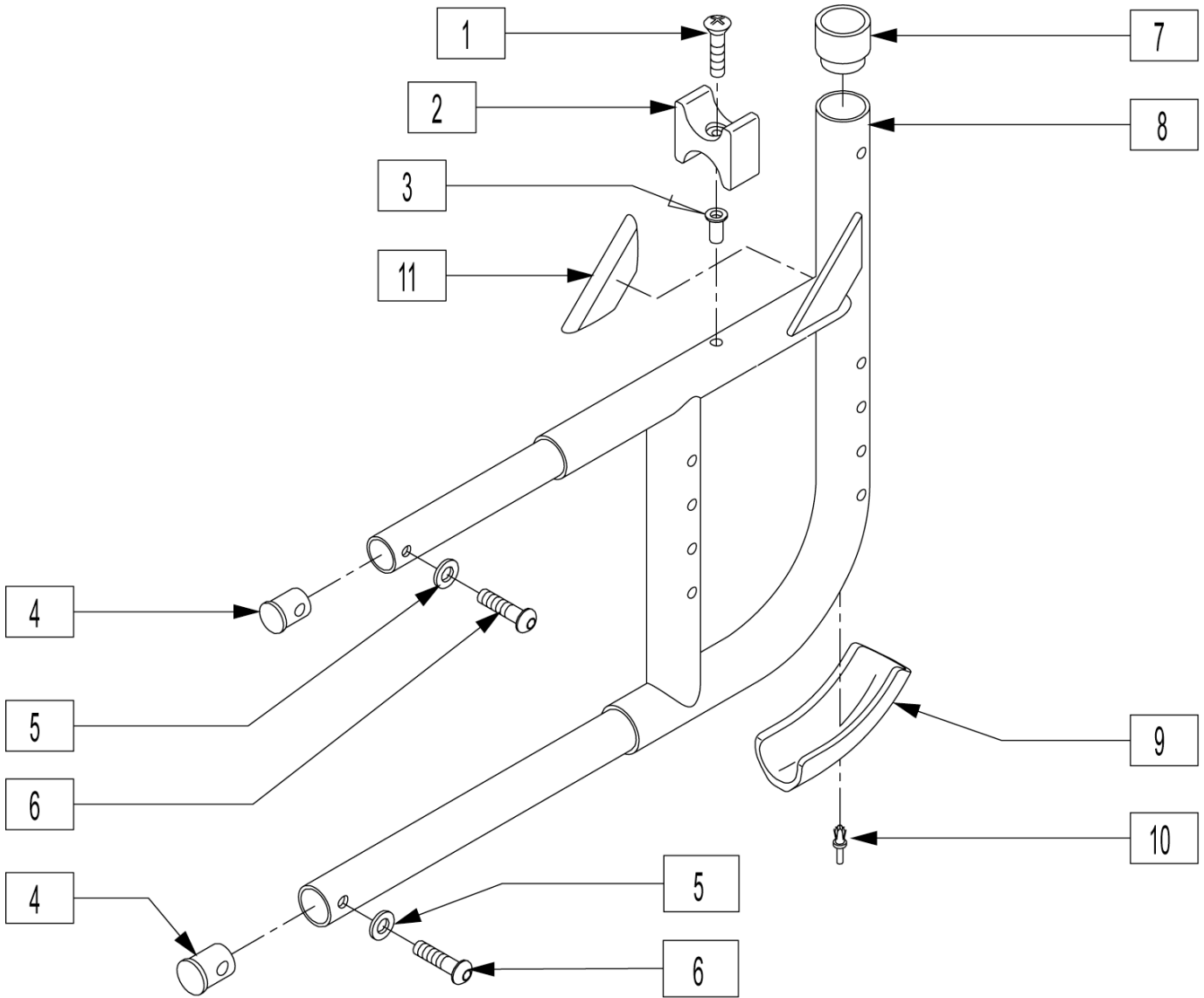


Pos.	Item Number	Description	Remarks
1	281122	10-32 x 3/4 PAN PHIL	
2	561030	SUSPENSION SADDLE STD	
3	341497	10-32 x .020-.130 RIVNUT GOLD	
4	483001	Q2 FRAME/FOOT RETAINING PLUG	
5	262130	6mm WASHER WAVE	
6	226120	1/4-20 x 1 BH C/S	
7	561083	1-1/8? TUBE END BUSHING THIN	
8B	561018	1? TUBE END BUSHING THICK	Use with anti-tips that mount in frame tube
8A	561014	1? MED CAP	
9B		Part 9B	
9A		Part 9A	
10	560406	FRAME BUSHING	
11	341300	Q2 GUSSET WEARSTRIP	
1-8,9A,10,11	620130	REAR S/F PNTD Q2 HEMI R 1 1/8	(SPECIFY COLOR)
1-8,9B,10,11	620131	REAR S/F PNTD Q2 HEMI L 1 1/8	(SPECIFY COLOR)

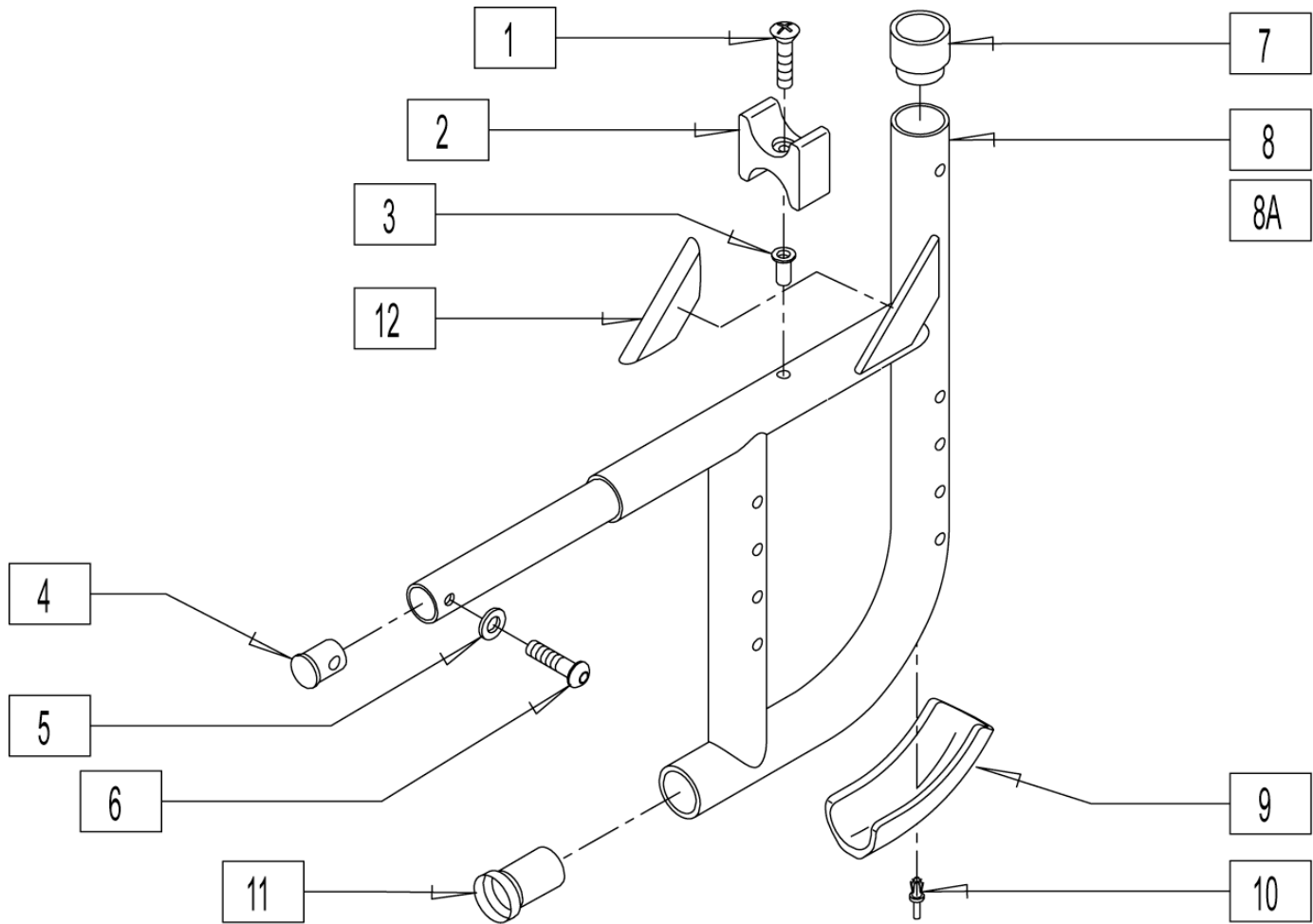


Pos.	Item Number	Description	Remarks
2	560413	REAR FRAME BUMPER GPS	
3	561002	1" INSERT PLUG .083	
4	226120	1/4-20 x 1 BH C/S	
5	262130	6mm WASHER WAVE	
6	483001	Q2 FRAME/FOOT RETAINING PLUG	
7	281122	10-32 x 3/4 PAN PHIL	
8	561030	SUSPENSION SADDLE STD	
1B,2-8	620161	REAR S/F DAB PNTD R Q2	(SPECIFY COLOR)
1A,2-8	620163	REAR S/F DAB PNTD L Q2	(SPECIFY COLOR)

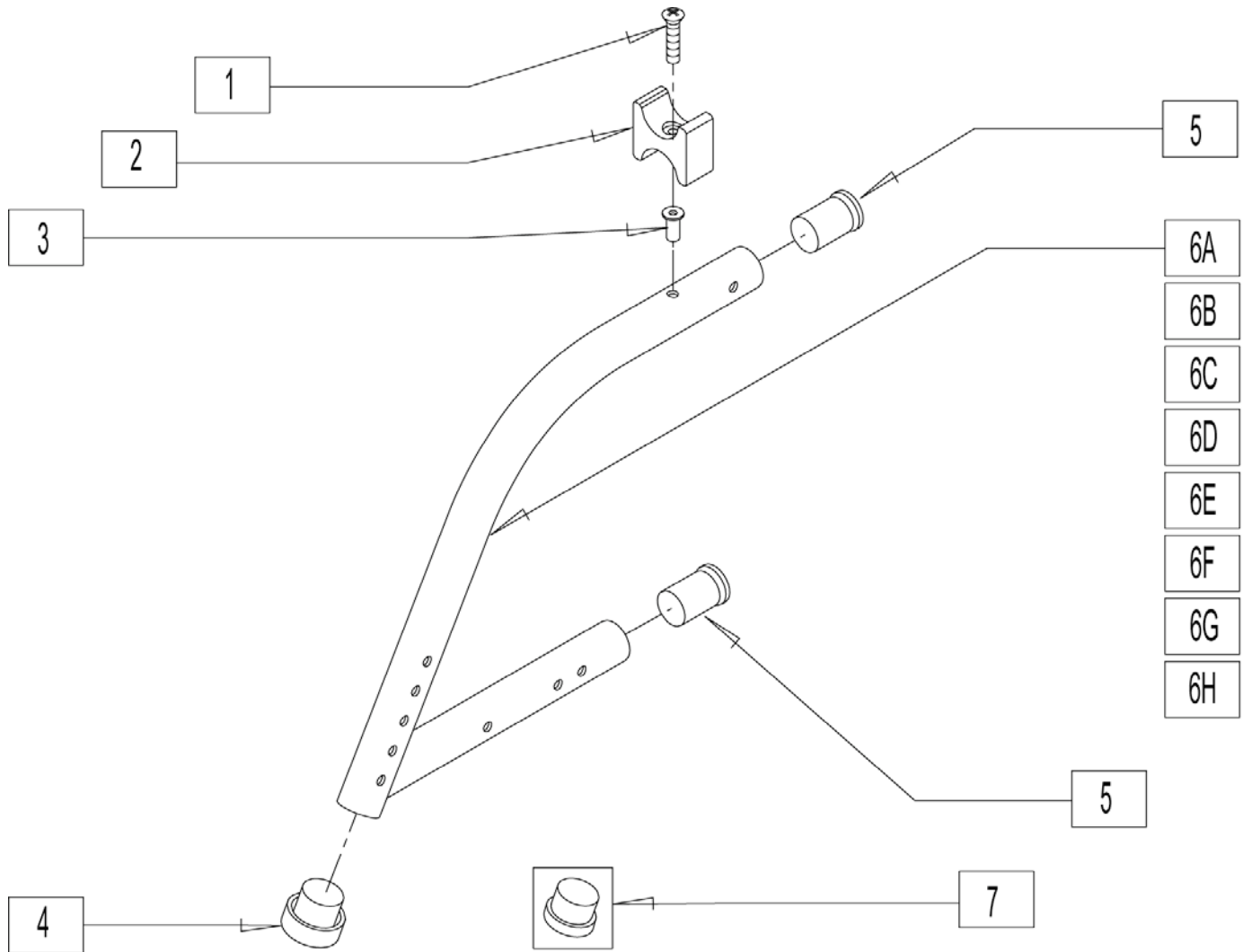
Q2 - Rounded Rear Side Frame



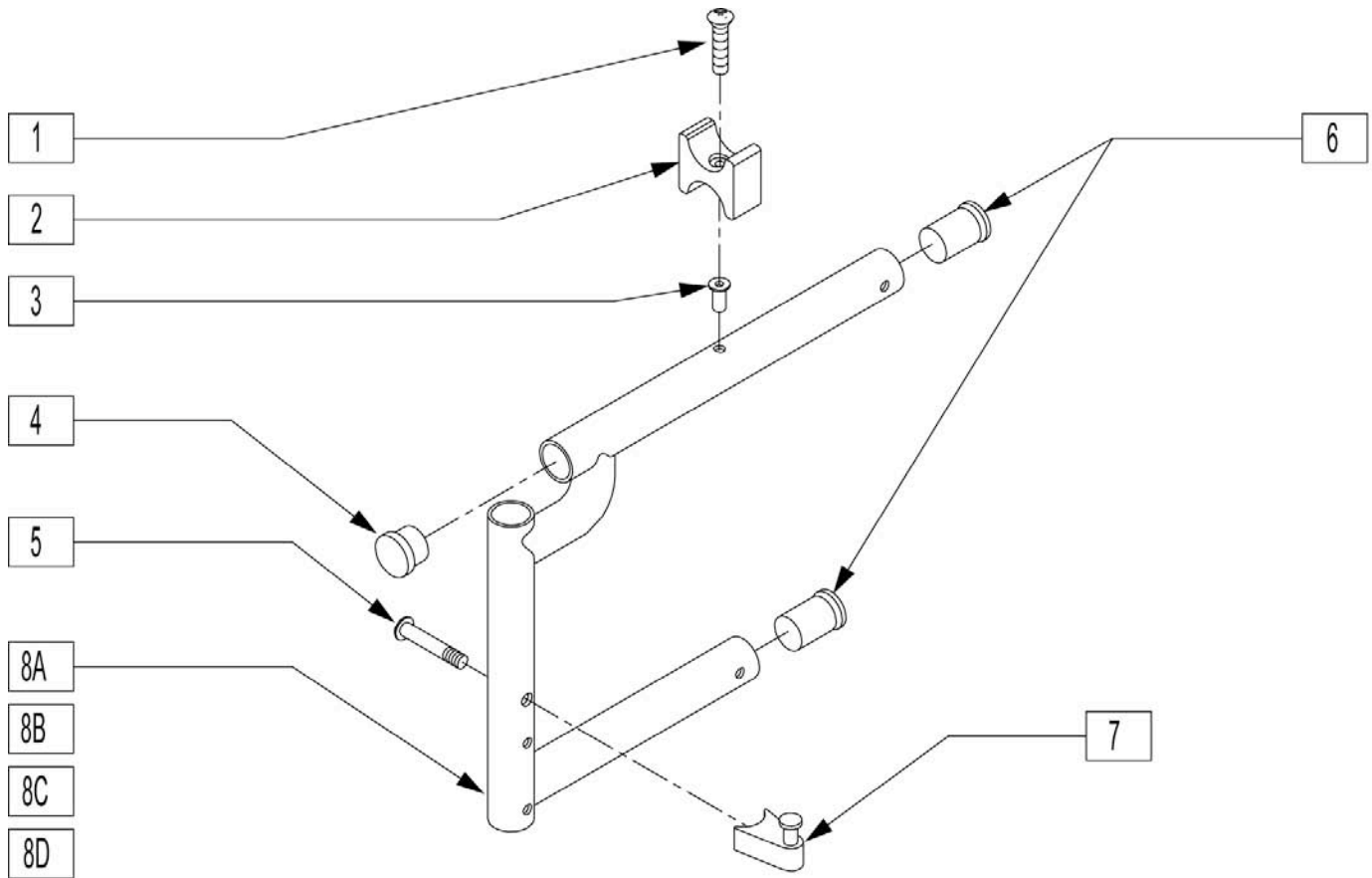
Pos.	Item Number	Description	Remarks
1	281122	10-32 x 3/4 PAN PHIL	
2	561030	SUSPENSION SADDLE STD	
4	483001	Q2 FRAME/FOOT RETAINING PLUG	
5	262130	6mm WASHER WAVE	
6	226120	1/4-20 x 1 BH C/S	
7	561083	1 1/8 TUBE END BUSHING THIN	
9	560409	REAR FRAME BUMPER Q2	
10	240210	RIVET 3/16 PLASTIC	
11	341300	Q2 GUSSET WEARSTRIP	
1-11	620145	REAR S/F PNTD Q2 CURVED	RIGHT
1-11	620146	REAR S/F PNTD Q2 CURVED	LEF



Pos.	Item Number	Description	Remarks
1	281122	10-32 x 3/4 PAN PHIL	
2	561030	SUSPENSION SADDLE STD	
3	341497	10-32 x .020-.130 RIVNUT GOLD	
4	483001	Q2 FRAME/FOOT RETAINING PLUG	
5	262130	6mm WASHER WAVE	
6	226120	1/4-20 x 1 BH C/S	
7	561083	1 1/8" TUBE END BUSHING THIN	
9	560409	REAR FRAME BUMPER Q2	
10	240210	RIVET 3/16 PLASTIC	
11	560408	FRAME BUSHING 3/4-1 1/8	
12	341300	Q2 GUSSET WEARSTRIP	
1-7,8A,9-12	620165	REAR S/F PNTD Q2 HEMI R CURVED	(SPECIFY COLOR)
1-7,8B,9-12	620166	REAR S/F PNTD Q2 HEMI L CURVED	(SPECIFY COLOR)

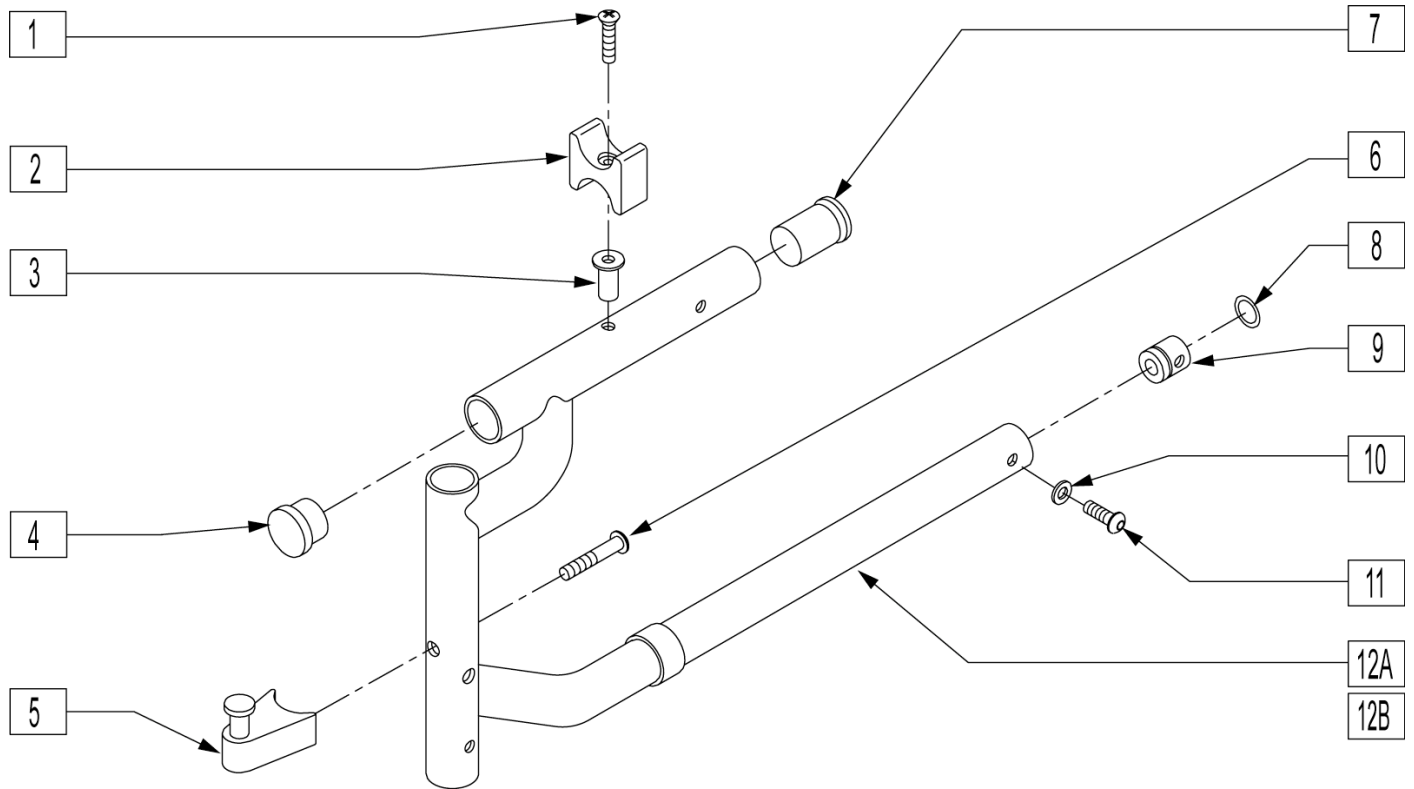


Pos.	Item Number	Description	Remarks
1	281122	10-32 x 3/4 PAN PHIL	
2	561030	SUSPENSION SADDLE STD	
4	561082	1 TUBE END BUSHING THIN	
5	560406	FRAME BUSHING	
7	561002	1 INSERT PLUG .083	
1-5,6A	621200	FRONT S/F SHT 60ø PNTD Q2 FIXED	10-14 DEEP (SPECIFY COLOR)
1-5,6B	621300	FRONT S/F REG 60ø PNTD Q2 FIXED	13-16 DEEP (SPECIFY COLOR)
1-5,6C	621400	FRONT S/F LNG 60ø PNTD Q2 FIXED	15-18 DEEP (SPECIFY COLOR)
1-5,6D	640304	FRONT S/F X-LNG 60ø PNTD Q2 FIXED	17-20 DEEP (SPECIFY COLOR)
1-5,6E	621301	FRONT S/F SHT PNTD 70ø Q2 FIXED	10-14 DEEP (SPECIFY COLOR)
1-5,6F	621302	FRONT S/F REG PNTD 70ø Q2 FIXED	13-16 DEEP (SPECIFY COLOR)
1-5,6G	621402	FRONT S/F LNG PNTD 70ø Q2 FIXED	15-18 DEEP (SPECIFY COLOR)
1-5,6H	640305	FRONT S/F X-LNG 70ø Q2 FIXED	17-20 DEEP (SPECIFY COLOR)
5-7	621100	FRONT S/F KIDS 60ø PNTD Q2 FIXED	10-14 DEEP (SPECIFY COLOR)



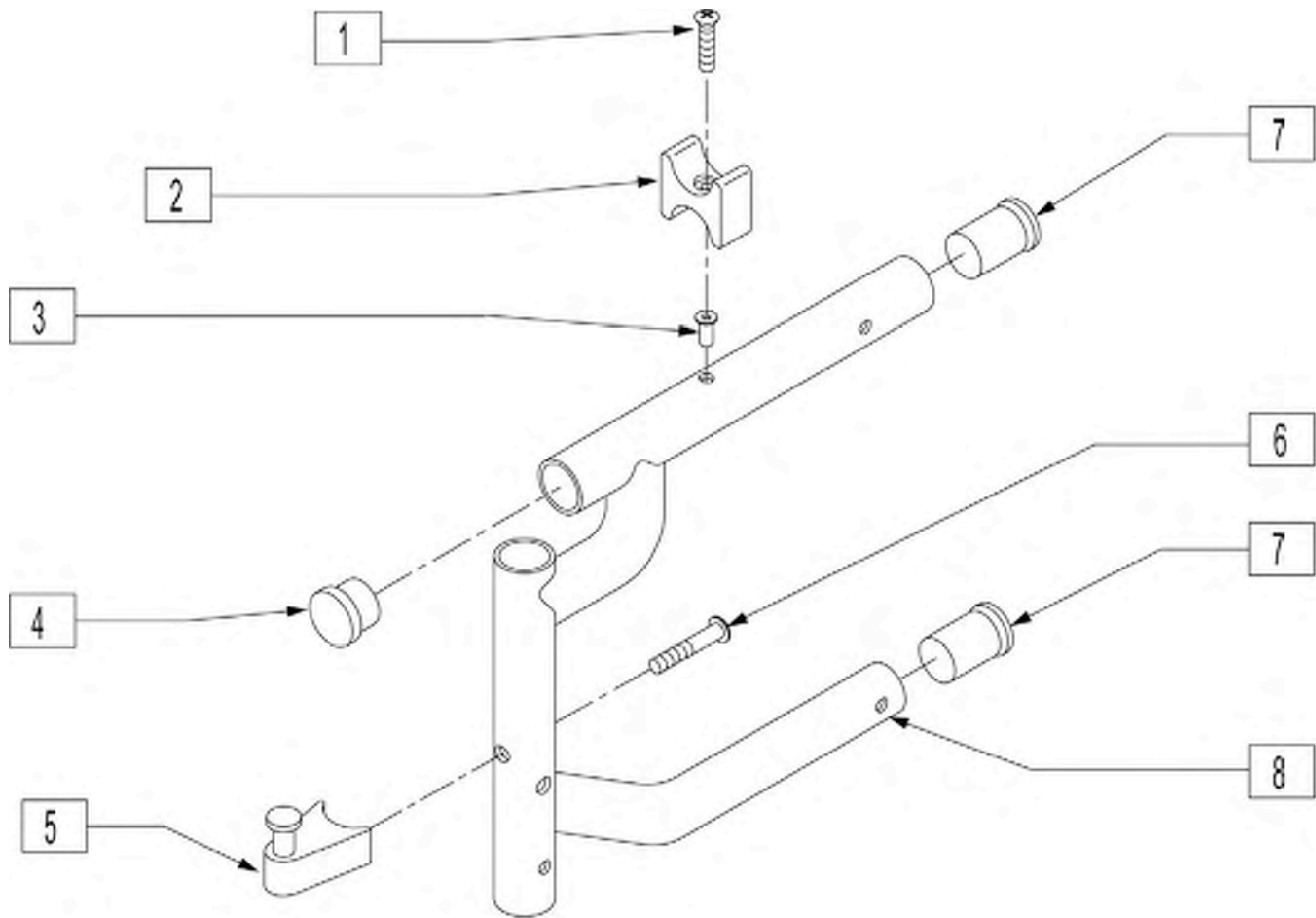
Pos.	Item Number	Description	Remarks
1	281122	10-32 x 3/4 PAN PHIL	
2	561030	SUSPENSION SADDLE STD	
4	561002	1" INSERT PLUG .083	
5	226190	5/16-18 x 1 3/4 BH C/S SHLDR	
6	560406	FRAME BUSHING	
7	481023	S/A LATCH STUD NEW	
8	551310	LATCH STUD SUPPORT BLK	
9	201100-QU	1/4-28 NYLOCK NUT THIN	
1-4,6,10A	640105	FRONT S/F KIDS PAINTED S/A NEW	(SPECIFY COLOR) chairs manufactured before 9/9/99 replace both sides
1-4,6,10B	640200	FRONT S/F REG PAINTED S/A	(SPECIFY COLOR) chairs manufactured before 9/9/99 replace both sides
1-4,6,10C	640300	FRONT S/F LNG PAINTED S/A	(SPECIFY COLOR) chairs manufactured before 9/9/99 replace both sides
1-4,6,10D	640301	FRONT S/F X-LONG PAINTED S/A	(SPECIFY COLOR) chairs manufactured before 9/9/99 replace both sides
5,7-9	921295	S/A LATCH ASSM W/BOLT	

If going from an Extra-long Hemi Front Frame to Hemi Swing-Away Front Side Frame, the rear side frame needs to be changed from standard rear to hemi rear.

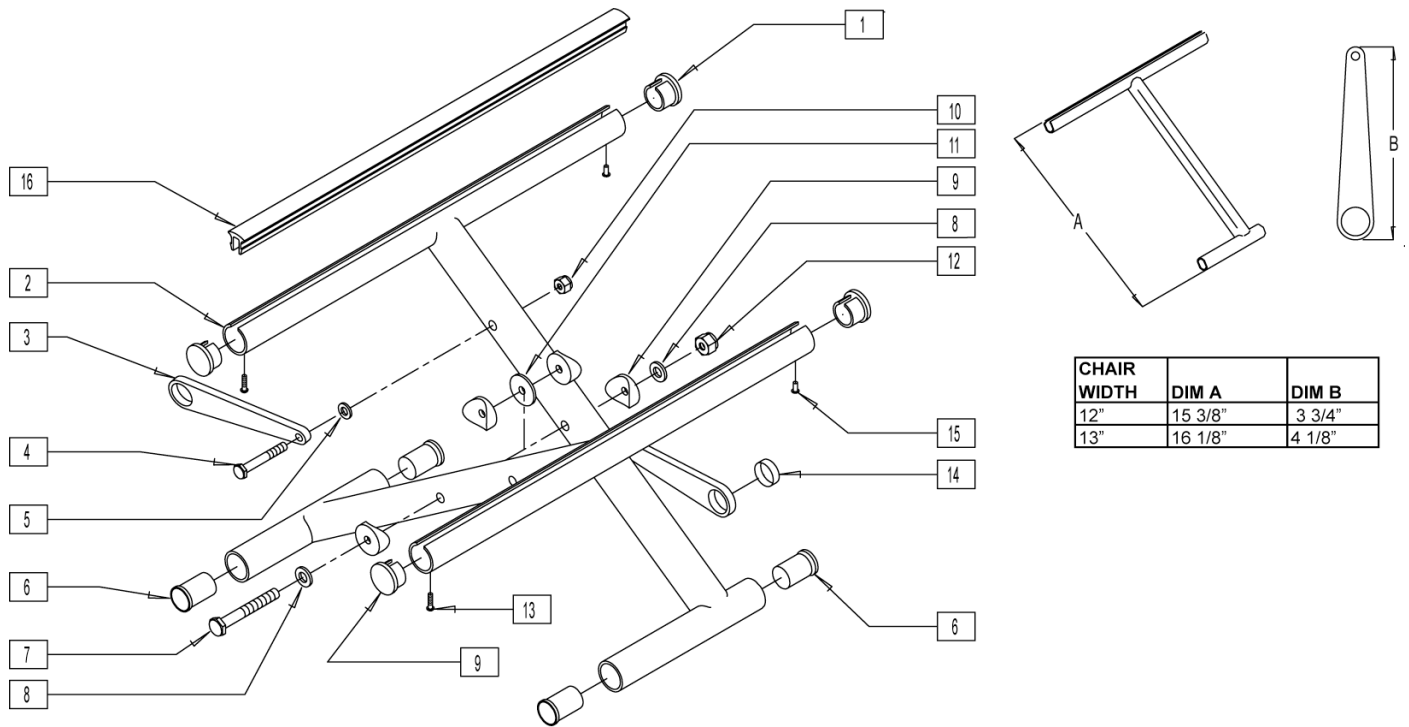


Pos.	Item Number	Description	Remarks
1	281122	10-32 x 3/4 PAN PHIL	
2	561030	SUSPENSION SADDLE STD	
4	561002	1" INSERT PLUG .083	
5	881691	S/A LATCH BLCK PRSD ASSM BLK	
6	226190	5/16-18 x 1 3/4 BH C/S SHLDR	
7	560406	FRAME BUSHING	
8	342013	PLUG O-RING RUBBER HEMI	
9	483022	FRAME INSERT HEMI	
10	262130	6MM WASHER WAVE	
11	226101	1/4-20 x 3/4 BH C/S	
5,6	921295	S/A LATCH ASSEMBLY BLK W/BOLT CLR	
8,9	880140	FRAME INSERT W/O-RING HEMI	
1-4,6-12A	640412	FRONT S/F STD HEMI PNTD S/A L	13-16 DEEP (SPECIFY COLOR)
1-4,6-12A	640413	FRNT S/F STD HEMI PNTD S/A R	13-16 DEEP (SPECIFY COLOR)
1-4,6-12B	640414	FRONT S/F LNG HEMI PNTD S/A R	13-16 DEEP (SPECIFY COLOR)
1-4,6-12B	640415	FRONT S/F LNG HEMI PNTD S/A L	13-16 DEEP (SPECIFY COLOR)

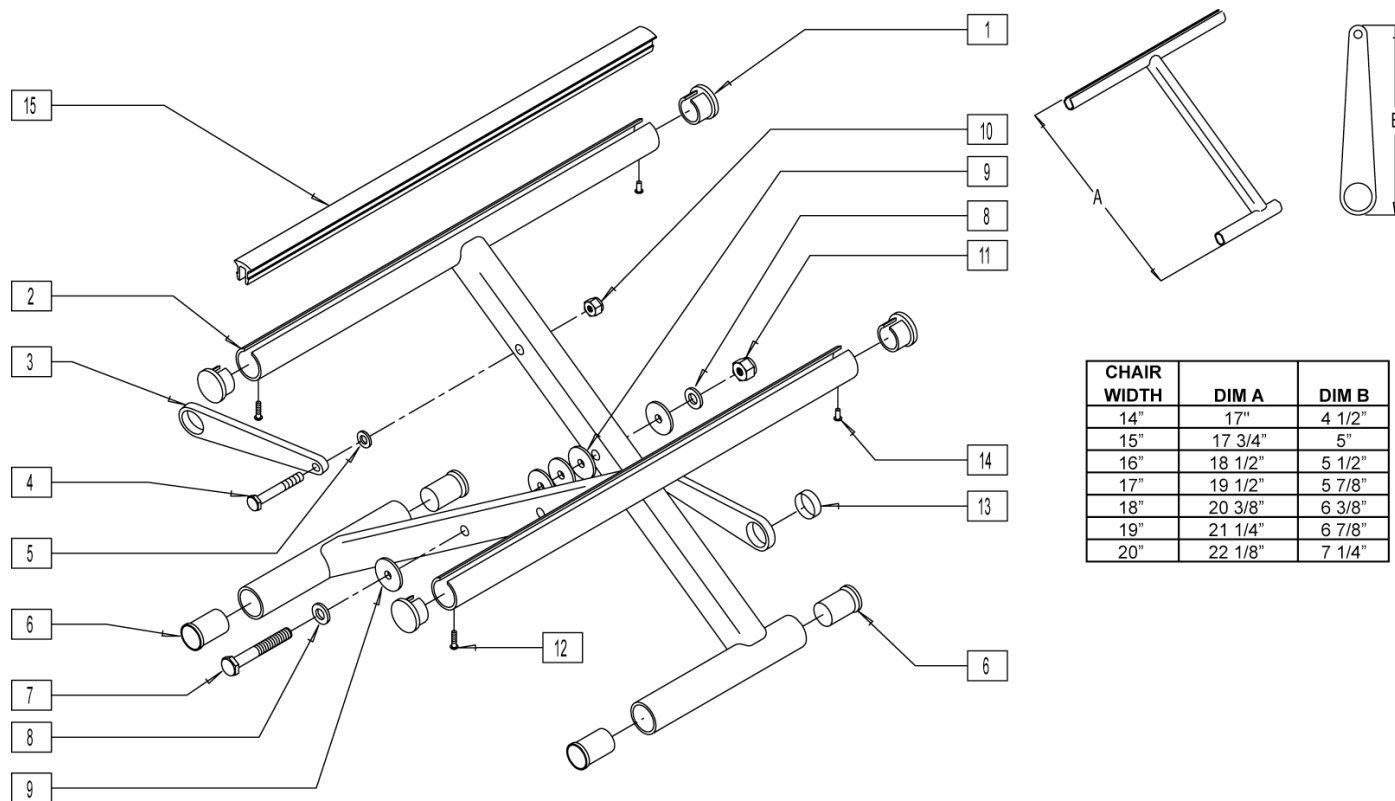
If growing chair from any shorter front frame to extra-long, the Hemi Rear Side Frame needs to be changed to standard Rear Side Frame.



Pos.	Item Number	Description	Remarks
1	281122	10-32 x 3/4 PAN PHIL	
2	561030	SUSPENSION SADDLE STD	
4	561002	1 INSERT PLUG .083	
5	881691	S/A LATCH BLCK PRSD ASSM BLK	
6	226190	5/16-18 x 1 3/4 BH C/S SHLDR	
7	560406	FRAME BUSHING	
5,6	921295	S/A LATCH ASSM W/BOLT	
1-4,7,8	640306	FRNT S/F XTRA-LNG HEMI PNTD R	(SPECIFY COLOR)
1-4,7,8	640307	FRNT S/F XTRA-LNG HEMI PNTD L	(SPECIFY COLOR)



Pos.	Item Number	Description	Remarks	Pos.	Item Number	Description	Remarks
1	483553	SEAT RAIL END PLUG		16	580026	SEAT RAIL INSERT STRIP 16	
3	923600	X-HINGE 12 (PR)	PAIR	16	580027	SEAT RAIL INSERT STRIP 17	
3	923601	X-HINGE 13 (PR)	PAIR	16	580028	SEAT RAIL INSERT STRIP 18	
4	221151-QU	1/4-28 x 1 3/4 G8 HEX C/S		1-15	673500	X-TUBE ASSM 11/12" X 10" CHNL	
5	561028	1/4? NYLON WASHER		1-15	673501	X-TUBE ASSM 11/12" X 11" CHNL	
6	560402	3/4? NY-LINER		1-15	673502	X-TUBE ASSM 11/12" X 12" CHN	
7	226300	5/16-24 x 3 G8 HHCS		1-15	673503	X-TUBE ASSM 11/12" X 13" CHNL	
8	263110-QU	5/16 AN WASHER FLAT THIN		1-15	673504	X-TUBE ASSM 11/12" X 14" CHNL	
9	561006	1? SADDLE 5/16? HOLE		1-15	673505	X-TUBE ASSM 11/12" X 15" CHNL	
10	201110-QU	1/4-28 NYLOCK NUT		1-15	673506	X-TUBE ASSM 11/12" X 16" CHNL	
11	561016	1? WASHER 5/16? HOLE		1-15	673507	X-TUBE ASSM 11/12" X 17" CHNL	
12	202100-MJ	5/16-24 NYLOCK NUT THIN		1-15	673508	X-TUBE ASSM 12" X 18" CHNL	
13	281131	#10 3/8? SELF TAPPING SCREW		1-15	673509	X-TUBE ASSM 13" X 10" CHNL	
14	580200	TEFLON STRIP BEARING		1-15	673510	X-TUBE ASSM 13" X 11" CHNL	
15	240111	RIVET POP AD55H BLK		1-15	673511	X-TUBE ASSM 13" X 12" CHN	
16	580020	SEAT RAIL INSERT STRIP 10		1-15	673512	X-TUBE ASSM 13" X 13" CHNL	
16	580021	SEAT RAIL INSERT STRIP 11		1-15	673513	X-TUBE ASSM 13" X 14" CHNL	
16	580022	SEAT RAIL INSERT STRIP 12		1-15	673514	X-TUBE ASSM 13" X 15" CHNL	
16	580023	SEAT RAIL INSERT STRIP 13		1-15	673515	X-TUBE ASSM 13" X 16" CHNL	
16	580024	SEAT RAIL INSERT STRIP 14		1-15	673516	X-TUBE ASSM 13" X 17" CHNL	
16	580025	SEAT RAIL INSERT STRIP 15		1-15	673517	X-TUBE ASSM 13" X 18" CHNL	



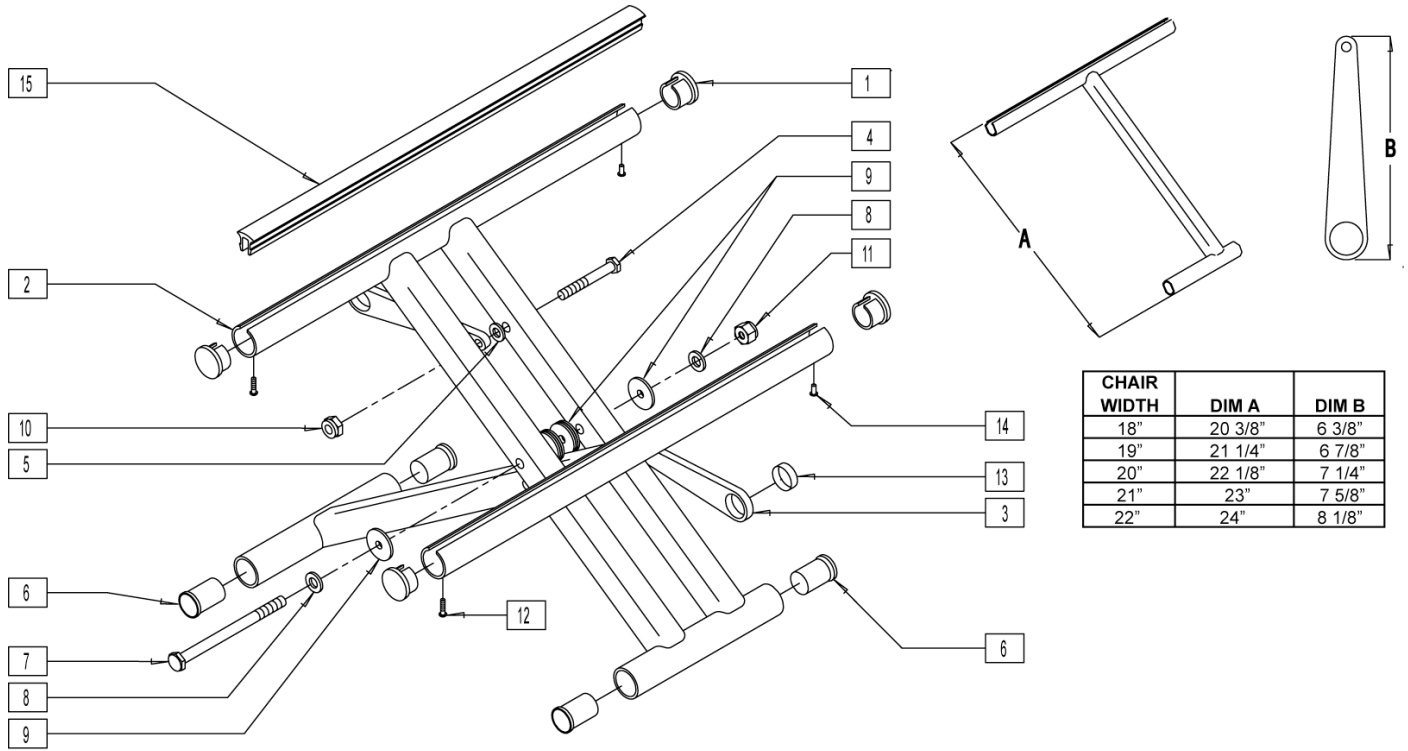
CHAIR WIDTH	DIM A	DIM B
14"	17"	4 1/2"
15"	17 3/4"	5"
16"	18 1/2"	5 1/2"
17"	19 1/2"	5 7/8"
18"	20 3/8"	6 3/8"
19"	21 1/4"	6 7/8"
20"	22 1/8"	7 1/4"

Pos.	Item Number	Description	Remarks	Pos.	Item Number	Description	Remarks
1	483552	SEAT RAIL END PLUG		15	580028	SEAT RAIL INSERT STRIP 18	
3	923602	X-HINGE 14"	PAIR	15	580029	SEAT RAIL INSERT STRIP 19	
3	923603	X-HINGE 15"	PAIR	15	580030	SEAT RAIL INSERT STRIP 20	
3	923604	X-HINGE 16"	PAIR	1-14	673518	X-TUBE ASSM 14" X 10" CHNL	
3	923605	X-HINGE 17"	PAIR	1-14	673519	X-TUBE ASSM 14" X 11" CHNL	
3	923606	X-HINGE 18"	PAIR	1-14	673520	X-TUBE ASSM 14" X 12" CHNL	
3	923607	X-HINGE 19"	PAIR	1-14	673521	X-TUBE ASSM 14" X 13" CHNL	
3	923608	X-HINGE 20"	PAIR	1-14	673522	X-TUBE ASSM 14" X 14" CHNL	
4	221151-QU	1/4-28 x 1 3/4 G8 HEX C/S		1-14	673523	X-TUBE ASSM 14" X 15" CHNL	
5	561028	1/4? NYLON WASHER		1-14	673524	X-TUBE ASSM 14" X 16" CHNL	
6	560402	3/4? NY-LINER		1-14	673525	X-TUBE ASSM 14" X 17" CHNL	
7	226300	5/16-24 x 3 G8 HHCS		1-14	673526	X-TUBE ASSM 14" X 18" CHNL	
8	263110-QU	5/16 AN WASHER FLAT THIN		1-14	673527	X-TUBE ASSM 14" X 19" CHNL	
9	561016	1? WASHER 5/16? HOLE		1-14	673528	X-TUBE ASSM 14" X 20" CHNL	
10	201110-QU	1/4-28 NYLOCK NUT		1-14	673529	X-TUBE ASSM 15" X 10" CHNL	
11	202100-MJ	5/16-24 NYLOCK NUT THIN		1-14	673530	X-TUBE ASSM 15" X 11" CHNL	
12	281131	#10 3/8? SELF TAPPING SCREW		1-14	673531	X-TUBE ASSM 15" X 12" CHNL	
13	580200	TEFLON STRIP BEARING		1-14	673532	X-TUBE ASSM 15" X 13" CHNL	
14	240111	RIVET POP AD55H BLK		1-14	673533	X-TUBE ASSM 15" X 14" CHNL	
15	580020	SEAT RAIL INSERT STRIP 10		1-14	673534	X-TUBE ASSM 15" X 15" CHNL	
15	580021	SEAT RAIL INSERT STRIP 11		1-14	673535	X-TUBE ASSM 15" X 16" CHNL	
15	580022	SEAT RAIL INSERT STRIP 12		1-14	673536	X-TUBE ASSM 15" X 17" CHNL	
15	580023	SEAT RAIL INSERT STRIP 13		1-14	673537	X-TUBE ASSM 15" X 18" CHNL	
15	580024	SEAT RAIL INSERT STRIP 14		1-14	673538	X-TUBE ASSM 15" X 19" CHNL	
15	580025	SEAT RAIL INSERT STRIP 15		1-14	673539	X-TUBE ASSM 15" X 20" CHNL	
15	580026	SEAT RAIL INSERT STRIP 16		1-14	673540	X-TUBE ASSM 16" X 10" CHNL	
15	580027	SEAT RAIL INSERT STRIP 17		1-14	673541	X-TUBE ASSM 16" X 11" CHNL	

Pos.	Item Number	Description	Remarks	Pos.	Item Number	Description	Remarks
1-14	673542	X-TUBE ASSM 16" X 12" CHNL		1-14	673567	X-TUBE ASSM 18" X 16" CHNL	
1-14	673543	X-TUBE ASSM 16" X 13" CHNL		1-14	673568	X-TUBE ASSM 18" X 17" CHNL	
1-14	673544	X-TUBE ASSM 16" X 14" CHNL		1-14	673569	X-TUBE ASSM 18" X 18" CHNL	
1-14	673545	X-TUBE ASSM 16" X 15" CHNL		1-14	673570	X-TUBE ASSM 18" X 19" CHNL	
1-14	673546	X-TUBE ASSM 16" X 16" CHNL		1-14	673571	X-TUBE ASSM 18" X 20" CHNL	
1-14	673547	X-TUBE ASSM 16" X 17" CHNL		1-14	673572	X-TUBE ASSM 19" X 11" CHNL	
1-14	673548	X-TUBE ASSM 16" X 18" CHNL		1-14	673573	X-TUBE ASSM 19" X 12" CHNL	
1-14	673549	X-TUBE ASSM 16" X 19" CHNL		1-14	673574	X-TUBE ASSM 19" X 13" CHNL	
1-14	673550	X-TUBE ASSM 16" X 20" CHNL		1-14	673575	X-TUBE ASSM 19" X 14" CHNL	
1-14	673551	X-TUBE ASSM 17" X 10" CHNL		1-14	673576	X-TUBE ASSM 19" X 15" CHNL	
1-14	673552	X-TUBE ASSM 17" X 11" CHNL		1-14	673577	X-TUBE ASSM 19" X 16" CHNL	
1-14	673553	X-TUBE ASSM 17" X 12" CHNL		1-14	673578	X-TUBE ASSM 19" X 17" CHNL	
1-14	673554	X-TUBE ASSM 17" X 13" CHNL		1-14	673579	X-TUBE ASSM 19" X 18" CHNL	
1-14	673555	X-TUBE ASSM 17" X 14" CHNL		1-14	673580	X-TUBE ASSM 19" X 19" CHNL	
1-14	673556	X-TUBE ASSM 17" X 15" CHNL		1-14	673581	X-TUBE ASSM 19" X 20" CHNL	
1-14	673557	X-TUBE ASSM 17" X 16" CHNL		1-14	673582	X-TUBE ASSM 20" X 11" CHNL	
1-14	673558	X-TUBE ASSM 17" X 17" CHNL		1-14	673583	X-TUBE ASSM 20" X 12" CHNL	
1-14	673559	X-TUBE ASSM 17" X 18" CHNL		1-14	673584	X-TUBE ASSM 20" X 13" CHNL	
1-14	673560	X-TUBE ASSM 17" X 19" CHNL		1-14	673585	X-TUBE ASSM 20" X 14" CHNL	
1-14	673561	X-TUBE ASSM 17" X 20" CHNL		1-14	673586	X-TUBE ASSM 20" X 15" CHNL	
1-14	673562	X-TUBE ASSM 18" X 11" CHNL		1-14	673587	X-TUBE ASSM 20" X 16" CHNL	
1-14	673563	X-TUBE ASSM 18" X 12" CHNL		1-14	673588	X-TUBE ASSM 20" X 17" CHNL	
1-14	673564	X-TUBE ASSM 18" X 13" CHNL		1-14	673589	X-TUBE ASSM 20" X 18" CHNL	
1-14	673565	X-TUBE ASSM 18" X 14" CHNL		1-14	673590	X-TUBE ASSM 20" X 19" CHNL	
1-14	673566	X-TUBE ASSM 18" X 15" CHNL		1-14	673591	X-TUBE ASSM 20" X 20" CHNL	

Q2 - Cross Tube Assm 18-22

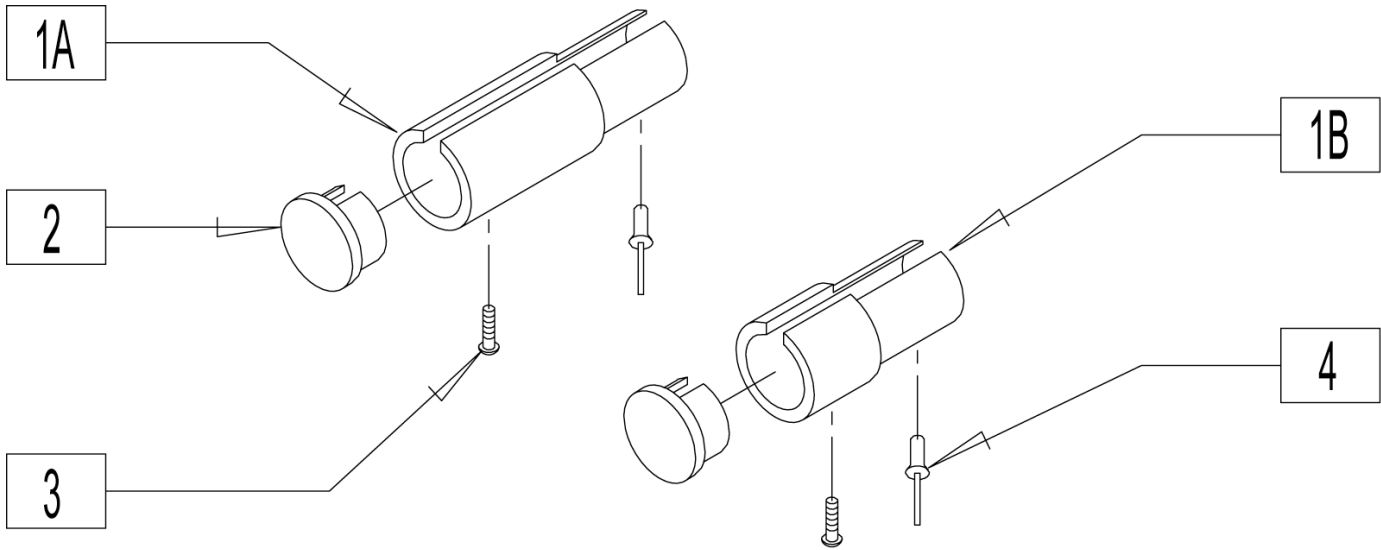
[03/2007]



CHAIR WIDTH	DIM A	DIM B
18"	20 3/8"	6 3/8"
19"	21 1/4"	6 7/8"
20"	22 1/8"	7 1/4"
21"	23"	7 5/8"
22"	24"	8 1/8"

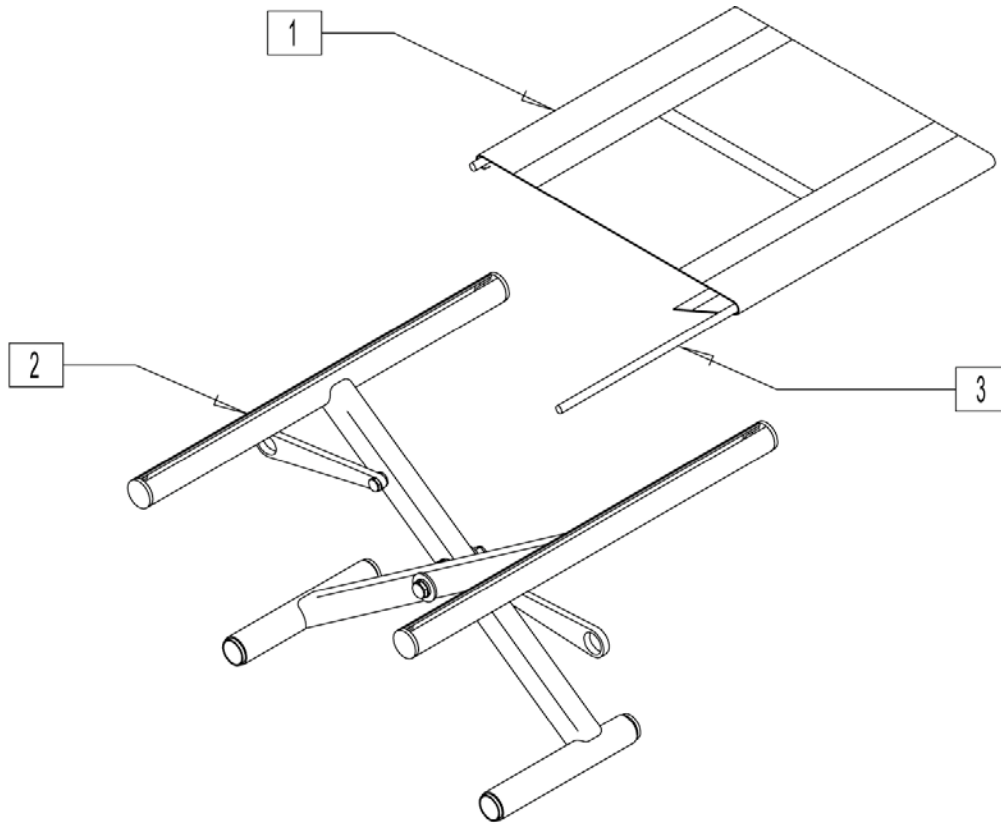
Pos.	Item Number	Description	Remarks	Pos.	Item Number	Description	Remarks
1	483552	SEAT RAIL END PLUG		1-14	673594	X-TUBE ASSM 18" X 13" CHNL HD	
3	923606	X-HINGE 18"	PAIR	1-14	673595	X-TUBE ASSM 18" X 14" CHNL HD	
3	923607	X-HINGE 19"	PAIR	1-14	673596	X-TUBE ASSM 18" X 15" CHNL HD	
3	923608	X-HINGE 20"	PAIR	1-14	673597	X-TUBE ASSM 18" X 16" CHNL HD	
3	923609	X-HINGE 21"	PAIR	1-14	673598	X-TUBE ASSM 18" X 17" CHNL HD	
3	923610	X-HINGE 22"	PAIR	1-14	673599	X-TUBE ASSM 18" X 18" CHNL HD	
4	221151-QU	1/4-28 x 1 3/4 G8 HEX C/S		1-14	673600	X-TUBE ASSM 18" X 19" CHNL HD	
5	561028	1/4? NYLON WASHER		1-14	673601	X-TUBE ASSM 18" X 20" CHNL HD	
6	560402	3/4? NY-LINER		1-14	673602	X-TUBE ASSM 19" X 11" CHNL HD	
7	222263	5/16-24 x 4-3/8 HHCS GR8		1-14	673603	X-TUBE ASSM 19" X 12" CHNL HD	
8	263110-QU	5/16 AN WASHER FLAT THIN		1-14	673604	X-TUBE ASSM 19" X 13" CHNL HD	
9	561016	1? WASHER 5/16? HOLE		1-14	673605	X-TUBE ASSM 19" X 14" CHNL HD	
10	201110-QU	1/4-28 NYLOCK NUT		1-14	673606	X-TUBE ASSM 19" X 15" CHNL HD	
11	202100-MJ	5/16-24 NYLOCK NUT THIN		1-14	673607	X-TUBE ASSM 19" X 16" CHNL HD	
12	281131	#10 3/8? SELF TAPPING SCREW		1-14	673608	X-TUBE ASSM 19" X 17" CHNL HD	
13	580200	TEFLON STRIP BEARING		1-14	673609	X-TUBE ASSM 19" X 18" CHNL HD	
14	240111	RIVET POP AD55H BLK		1-14	673610	X-TUBE ASSM 19" X 19" CHNL HD	
15	580021	SEAT RAIL INSERT STRIP 11"		1-14	673611	X-TUBE ASSM 19" X 20" CHNL HD	
15	580022	SEAT RAIL INSERT STRIP 12"		1-14	673612	X-TUBE ASSM 20" X 11" CHNL HD	
15	580023	SEAT RAIL INSERT STRIP 13"		1-14	673613	X-TUBE ASSM 20" X 12" CHNL HD	
15	580024	SEAT RAIL INSERT STRIP 14"		1-14	673614	X-TUBE ASSM 20" X 13" CHNL HD	
15	580025	SEAT RAIL INSERT STRIP 15"		1-14	673615	X-TUBE ASSM 20" X 14" CHNL HD	
15	580026	SEAT RAIL INSERT STRIP 16"		1-14	673616	X-TUBE ASSM 20" X 15" CHNL HD	
15	580027	SEAT RAIL INSERT STRIP 17"		1-14	673617	X-TUBE ASSM 20" X 16" CHNL HD	
15	580028	SEAT RAIL INSERT STRIP 18"		1-14	673618	X-TUBE ASSM 20" X 17" CHNL HD	
15	580029	SEAT RAIL INSERT STRIP 19"		1-14	673619	X-TUBE ASSM 20" X 18" CHNL HD	
15	580030	SEAT RAIL INSERT STRIP 20"		1-14	673620	X-TUBE ASSM 20" X 19" CHNL HD	
1-14	673592	X-TUBE ASSM 18" X 11" CHNL HD		1-14	673621	X-TUBE ASSM 20" X 20" CHNL HD	
1-14	673593	X-TUBE ASSM 18" X 12" CHNL HD		1-14	673622	X-TUBE ASSM 21" X 12" CHNL HD	

Pos.	Item Number	Description	Remarks	Pos.	Item Number	Description	Remarks
1-14	673623	X-TUBE ASSM 21" X 13" CHNL HD		1-14	673632	X-TUBE ASSM 22" X 13" CHNL HD	
1-14	673624	X-TUBE ASSM 21" X 14" CHNL HD		1-14	673633	X-TUBE ASSM 22" X 14" CHNL HD	
1-14	673625	X-TUBE ASSM 21" X 15" CHNL HD		1-14	673634	X-TUBE ASSM 22" X 15" CHNL HD	
1-14	673626	X-TUBE ASSM 21" X 16" CHNL HD		1-14	673635	X-TUBE ASSM 22" X 16" CHNL HD	
1-14	673627	X-TUBE ASSM 21" X 17" CHNL HD		1-14	673636	X-TUBE ASSM 22" X 17" CHNL HD	
1-14	673628	X-TUBE ASSM 21" X 18" CHNL HD		1-14	673637	X-TUBE ASSM 22" X 18" CHNL HD	
1-14	673629	X-TUBE ASSM 21" X 19" CHNL HD		1-14	673638	X-TUBE ASSM 22" X 19" CHNL HD	
1-14	673630	X-TUBE ASSM 21" X 20" CHNL HD		1-14	673639	X-TUBE ASSM 22" X 20" CHNL HD	
1-14	673631	X-TUBE ASSM 22" X 12" CHNL HD					



Pos.	Item Number	Description	Remarks
1A	530462	SEAT RAIL EXTENSION 2" CHNL	20" SEAT DEPTH
1B	530461	SEAT RAIL EXTENSION 1" CHNL	19" SEAT DEPTH
2	240111	SEAT RAIL PLUG Q2N	
3	483552	#10 x 3/8 PAN PHIL S/TAP SCREW	
4	281131	RIVET POP AD55H BLK	

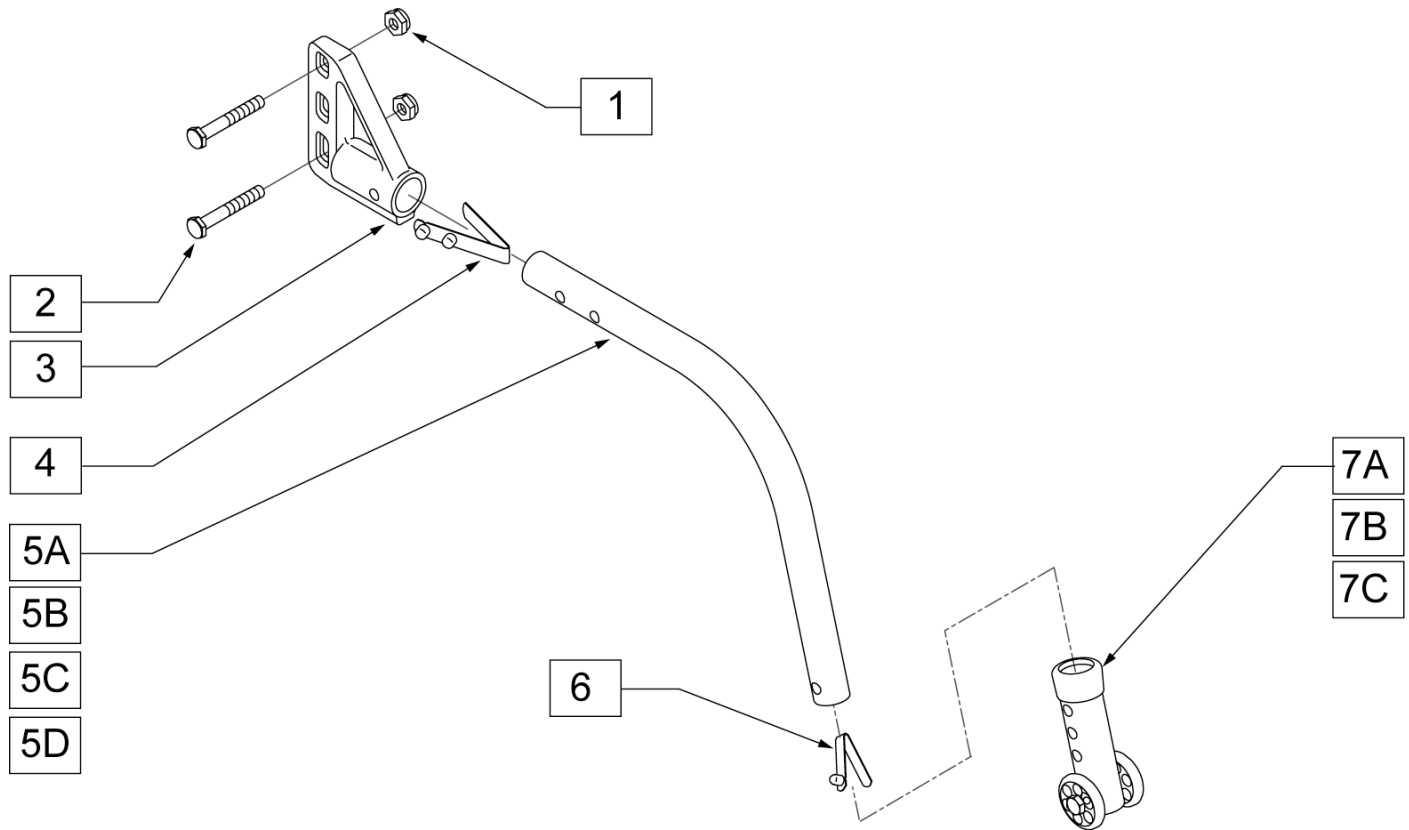
Items 1 & 2 listed separately on Seat Sling Page.



Pos.	Item Number	Description	Remarks	Pos.	Item Number	Description	Remarks
1-3	672210	X-TUBE ASSM 12" X 10" KIT		1-3	672317	X-TUBE ASSM 13" X 17" KIT	
1-3	672211	X-TUBE ASSM 12" X 11" KIT		1-3	672318	X-TUBE ASSM 13" X 18" KIT	
1-3	672212	X-TUBE ASSM 12" X 12" KIT		1-3	672410	X-TUBE ASSM 14" X 10" KIT	
1-3	672213	X-TUBE ASSM 12" X 13" KIT		1-3	672411	X-TUBE ASSM 14" X 11" KIT	
1-3	672214	X-TUBE ASSM 12" X 14" KIT		1-3	672412	X-TUBE ASSM 14" X 12" KIT	
1-3	672215	X-TUBE ASSM 12" X 15" KIT		1-3	672413	X-TUBE ASSM 14" X 13" KIT	
1-3	672216	X-TUBE ASSM 12" X 16" KIT		1-3	672560	X-TUBE ASSM 14" X 14"CHNL KIT	
1-3	672217	X-TUBE ASSM 12" X 17" KIT		1-3	672561	X-TUBE ASSM 14" X 15"CHNL KIT	
1-3	672218	X-TUBE ASSM 12" X 18" KIT		1-3	672562	X-TUBE ASSM 14" X 16"CHNL KIT	
1-3	672310	X-TUBE ASSM 13" X 10" KIT		1-3	672563	X-TUBE ASSM 14" X 17"CHNL KIT	
1-3	672311	X-TUBE ASSM 13" X 11" KIT		1-3	672564	X-TUBE ASSM 14" X 18"CHNL KIT	
1-3	672312	X-TUBE ASSM 13" X 12" KIT		1-3	672510	X-TUBE ASSM 15" X 10" KIT	
1-3	672313	X-TUBE ASSM 13" X 13" KIT		1-3	672511	X-TUBE ASSM 15" X 11" KIT	
1-3	672314	X-TUBE ASSM 13" X 14" KIT		1-3	672512	X-TUBE ASSM 15" X 12" KIT	
1-3	672315	X-TUBE ASSM 13" X 15" KIT		1-3	672513	X-TUBE ASSM 15" X 13" KIT	
1-3	672316	X-TUBE ASSM 13" X 16" KIT		1-3	672514	X-TUBE ASSM 15" X 14" KIT	

Pos.	Item Number	Description	Remarks	Pos.	Item Number	Description	Remarks
1-3	672515	X-TUBE ASSM 15" X 15" KIT		1-3	672813	X-TUBE ASSM 18" X 13" KIT	
1-3	672516	X-TUBE ASSM 15" X 16" KIT		1-3	672814	X-TUBE ASSM 18" X 14" KIT	
1-3	672517	X-TUBE ASSM 15" X 17" KIT		1-3	672569	X-TUBE ASSM 18" X 15"CHNL KIT	
1-3	672518	X-TUBE ASSM 15" X 18" KIT		1-3	672570	X-TUBE ASSM 18" X 16"CHNL KIT	
1-3	672519	X-TUBE ASSM 15" X 19" KIT		1-3	672571	X-TUBE ASSM 18" X 17"CHNL KIT	
1-3	672520	X-TUBE ASSM 15" X 20" KIT		1-3	672572	X-TUBE ASSM 18" X 18"CHNL KIT	
1-3	672610	X-TUBE ASSM 16" X 10" KIT		1-3	672819	X-TUBE ASSM 18" X 19" KIT	
1-3	672611	X-TUBE ASSM 16" X 11" KIT		1-3	672820	X-TUBE ASSM 18" X 20" KIT	
1-3	672612	X-TUBE ASSM 16" X 12" KIT		1-3	672910	X-TUBE ASSM 19" X 10" KIT	
1-3	672613	X-TUBE ASSM 16" X 13" KIT		1-3	672911	X-TUBE ASSM 19" X 11" KIT	
1-3	672614	X-TUBE ASSM 16" X 14" KIT		1-3	672912	X-TUBE ASSM 19" X 12" KIT	
1-3	672565	X-TUBE ASSM 16" X 15"CHNL KIT		1-3	672913	X-TUBE ASSM 19" X 13" KIT	
1-3	672566	X-TUBE ASSM 16" X 16"CHNL KIT		1-3	672914	X-TUBE ASSM 19" X 14" KIT	
1-3	672567	X-TUBE ASSM 16" X 17"CHNL KIT		1-3	672915	X-TUBE ASSM 19" X 15" KIT	
1-3	672568	X-TUBE ASSM 16" X 18"CHNL KIT		1-3	672916	X-TUBE ASSM 19" X 16" KIT	
1-3	672619	X-TUBE ASSM 16" X 19" KIT		1-3	672917	X-TUBE ASSM 19" X 17" KIT	
1-3	672620	X-TUBE ASSM 16" X 20" KIT		1-3	672918	X-TUBE ASSM 19" X 18" KIT	
1-3	672710	X-TUBE ASSM 17" X 10" KIT		1-3	672919	X-TUBE ASSM 19" X 19" KIT	
1-3	672711	X-TUBE ASSM 17" X 11" KIT		1-3	672920	X-TUBE ASSM 19" X 20" KIT	
1-3	672712	X-TUBE ASSM 17" X 12" KIT		1-3	673010	X-TUBE ASSM 20" X 10" KIT	
1-3	672713	X-TUBE ASSM 17" X 13" KIT		1-3	673011	X-TUBE ASSM 20" X 11" KIT	
1-3	672714	X-TUBE ASSM 17" X 14" KIT		1-3	673012	X-TUBE ASSM 20" X 12" KIT	
1-3	672715	X-TUBE ASSM 17" X 15" KIT		1-3	673013	X-TUBE ASSM 20" X 13" KIT	
1-3	672716	X-TUBE ASSM 17" X 16" KIT		1-3	673014	X-TUBE ASSM 20" X 14" KIT	
1-3	672717	X-TUBE ASSM 17" X 17" KIT		1-3	673015	X-TUBE ASSM 20" X 15" KIT	
1-3	672718	X-TUBE ASSM 17" X 18" KIT		1-3	673016	X-TUBE ASSM 20" X 16" KIT	
1-3	672719	X-TUBE ASSM 17" X 19" KIT		1-3	673017	X-TUBE ASSM 20" X 17" KIT	
1-3	672720	X-TUBE ASSM 17" X 20" KIT		1-3	673018	X-TUBE ASSM 20" X 18" KIT	
1-3	672810	X-TUBE ASSM 18" X 10" KIT		1-3	673019	X-TUBE ASSM 20" X 19" KIT	
1-3	672811	X-TUBE ASSM 18" X 11" KIT		1-3	673031	X-TUBE ASSM 20" X 20" KIT	
1-3	672812	X-TUBE ASSM 18" X 12" KIT					

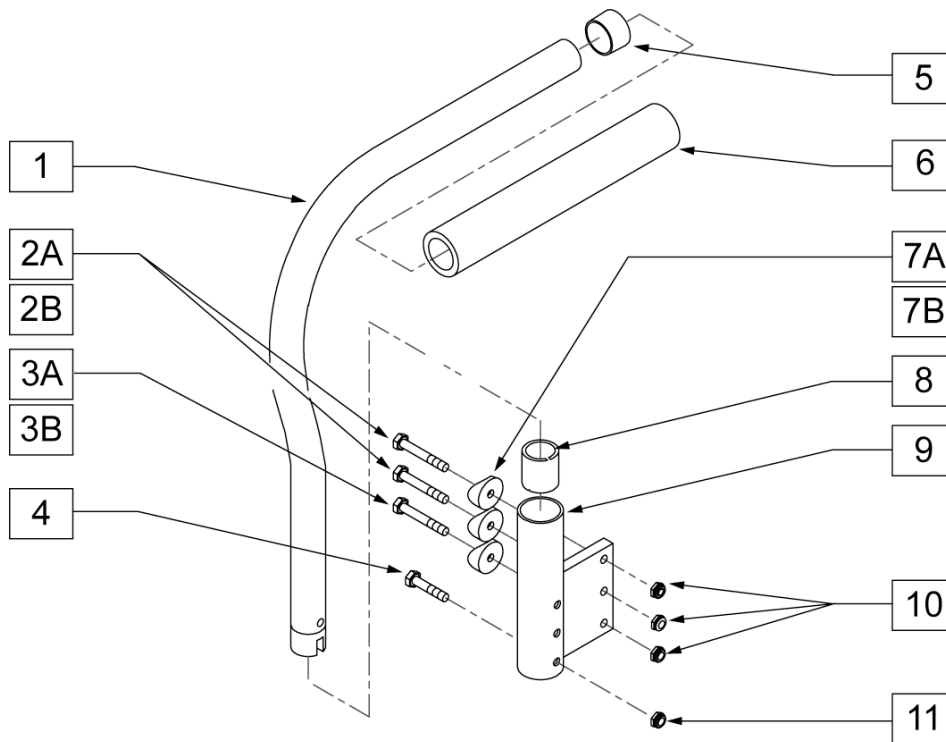
NOTE: WHEN USING PADDED SWING-AWAY ARMS, ANTI-TIP RECEIVERS ARE MOUNTED ON OUTSIDE OF FRAME.



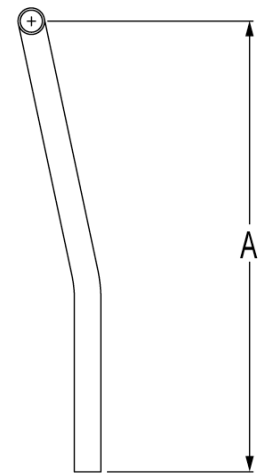
Pos.	Item Number	Description	Remarks
1	201110-QU	1/4-28 NYLOCK NUT	
2	221181	1/4-28 x 2 1/2 G8 HEX C/S	
3	920407	ANTI-TIP RECEIVERS	
4	301109	SNAP BUTTON DUAL ONE SIDE	
4,5A,6	882964	ANTI-TIP TUBE SMALL BLACK	Right
4,5A,6	882965	ANTI-TIP TUBE SMALL BLACK	Left
4,5B,6	882896	ANTI-TIP TUBE REGULAR BLACK	Right
4,5B,6	882897	ANTI-TIP TUBE REGULAR BLACK	Left
4,5C,6	882966	ANTI-TIP TUBE EXTENDER SMALL BLACK	Right
4,5C,6	882967	ANTI-TIP TUBE EXTENDER SMALL BLACK	Left
4,5D,6	882974	ANTI-TIP TUBE EXTENDER REGULAR BLACK	Right
4,5D,6	882975	ANTI-TIP TUBE EXTENDER REGULAR BLACK	Left
6	301100	SNAP BUTTON 1/4" SINGLE	
7A	881512	ANTI-TIP SLEEVE W/WHEELS BLK (4H)	
7B	881513	ANTI-TIP SLEEVE W/WHEELS BLK (5H)	
4,5A,6,7A	882906	ANTI-TIP ASSM SMALL BLACK	Right
4,5A,6,7A	882907	ANTI-TIP ASSM SMALL BLACK	Left
4,5B,6,7A	882900	ANTI-TIP ASSM REGULAR BLACK	Right
4,5B,6,7A	882901	ANTI-TIP ASSM REGULAR BLACK	Left
4,5C,6,7A	882908	ANTI-TIP ASSM SMALL EXTENDER BLACK	Right
4,5C,6,7A	882909	ANTI-TIP ASSM SMALL EXTENDER BLACK	Left
4,5D,6,7A	882910	ANTI-TIP ASSM REGULAR EXTENDER BLACK	Right
4,5D,6,7A	882911	ANTI-TIP ASSM REGULAR EXTENDER BLACK	Left

Pos.	Item Number	Description	Remarks
4,5A,6,7B	882918	ANTI-TIP SML LNG SLV R ZGS BLK	Right
4,5A,6,7B	882919	ANTI-TIP SML LNG SLV L ZGS BLK	Left
4,5B,6,7B	882912	ANTI-TIP ASSM REGULAR LONG SLEEVE BLACK	Right
4,5B,6,7B	882913	ANTI-TIP ASSM REGULAR LONG SLEEVE BLACK	Left
4,5C,6,7B	882926	A/T SML EXTND W/LNG SLV R BLK	Right
4,5C,6,7B	882927	A/T SML EXTND W/LNG SLV L BLK	Left
4,5D,6,7B	882922	ANTI-TIP ASSM REGULAR EXTENDER W/ LONG SLEEVE BLACK	Right
4,5D,6,7B	882923	ANTI-TIP ASSM REGULAR EXTENDER W/ LONG SLEEVE BLACK	Left
4,5A,6,7A	900701	ANTI-TIP ASSM SMALL	Pair
4,5B,6,7A	900703	ANTI-TIP ASSM REGULAR	Pair
4,5C,6,7A	900696	ANTI-TIP ASSM SMALL EXTEND	Pair
4,5D,6,7A	900697	ANTI-TIP ASSM REGULAR EXTEND	Pair
1-4,5A,6,7A	900830	ANTI-TIP ASSM SMALL W/ RECEIVER BLACK	Pair
1-4,5B,6,7A	900832	ANTI-TIP ASSM REGULAR W/ RECEIVER BLACK	Pair
1-4,5C,6,7A	900831	ANTI-TIP ASSM SMALL EXTENDER W/ RECEIVER BLACK	Pair
1-4,5D,6,7A	900833	ANTI-TIP ASSM REGULAR EXTENDER W/ RECEIVER BLACK	Pair
4,5A,6,7B	900241	ANTI TIP ASSM 5-HOLE HEMI BR	Pair
4,5B,6,7B	900709	ANTI-TIP ASSM REG W/LNG SLEEVE	Pair
1-4,5A,6,7B	900791	A/T ASSM 5-HOLE W/REC HEMI BR	Pair
1-4,5B,6,7B	900714	ANTI-TIP LONG SLEEVE W/ RECEIVER	Pair
1-4,5D,6,7B	900835	ANTI-TIP REGULAR EXTENDER W/ LONG SLEEVE BLACK	Pair

PADDED SWING-AWAY ARMREST



MEASURING GUIDE

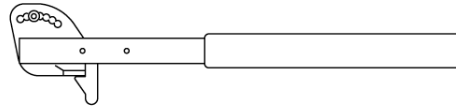


ARMREST	"A"
KIDS	25"
MED	29"
REG	31"

Pos.	Item Number	Description	Remarks
2A	221191	1/4-28 x 2 1/4 G8 HEX C/S	
2B	221192	1/4-28 x 2 G8 HEX C/S	
3B	221192	1/4-28 x 2 G8 HEX C/S	
3A	221151-QU	1/4-28 x 1 3/4 G8 HEX C/S	
4	221133	1/4-28 x 1 1/2 G8 HEX C/S	
5	561002	1? INSERT PLUG .083	
6	920070	9 x .940 x .200 FOAM GRIP	
7A	561004	1" SADDLE 1/4" HOLE	
7B	561001	1 1/8" SADDLE 1/4" HOLE	
8	560400	1" ID NY-LINER	
9	540100	PADDED ARM RECEIVER STRT F	RIGHT
9	540102	PADDED ARM RECEIVER STRT F	LEFT
10	201110-QU	1/4-28 NYLOCK NUT	
11	201100-QU	1/4-28 NYLOCK NUT THIN	
12	341200	1/4 x 1 ROLL PIN	
13	483006	ARMREST PLUG	
7,12,13	920351	S/A PADDED ARM PLUG KIT	
2,3A,7A,10	920154	PADDED ARM REC HDWR KIT 1 1/8 F	
1, 5, 6	880320	PADDED ARM KIDS	RIGHT
1, 5, 6	880321	F-BACK HT ADJ ARM ASSM STANDARD UM	RIGHT
1, 5, 6	880322	PADDED ARM KIDS	LEFT
1, 5, 6	880323	F-BACK HT ADJ ARM ASSM STANDARD UM	LEFT
1, 5, 6	880324	PADDED ARM RX KIDS MEDIUM	RIGHT
1, 5, 6	880325	F-BACK HT ADJ ARM ASSM FL UM	RIGHT
1, 5, 6	880326	PADDED ARM RX KIDS MEDIUM	LEFT
1, 5, 6	880327	F-BACK HT ADJ ARM ASSM FL UM	LEFT
1, 5, 6	880328	PADDED ARM REGULAR	RIGHT
1, 5, 6	880330	PADDED ARM REGULAR	LEFT
1, 5, 6	880329	F-BACK ADJ ARM RECEIVER W/O BRACKET	

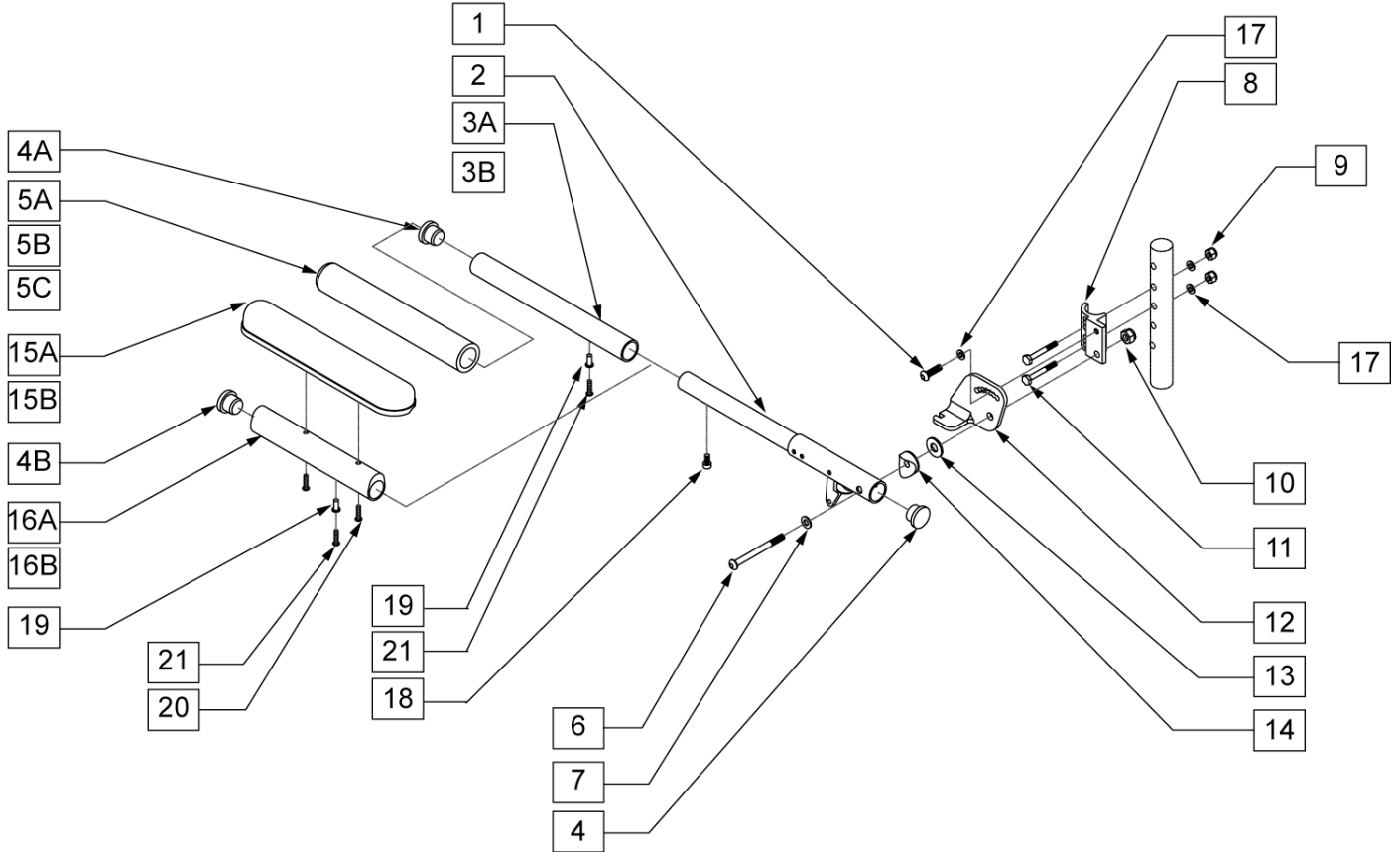
Pos.	Item Number	Description	Remarks
1, 5, 6	900400	PADDED ARMS Q2 KIDZ F	PAIR
1, 5, 6	900401	PADDED ARMS Rx KIDZ/MED F	PAIR
1, 5, 6	900402	PADDED ARMS REG F	PAIR
2A, 3, 4, 7-11	900510	ARM REC SINGLE CYL F 3/4"	PAIR
2, 3A, 4, 7A, 8-11	900512	ARM REC SINGLE CYL F 7/8"	PAIR

LENGTH ADJUSTABLE LOCKING FLIP-UP ARMREST



NOTE: FOAM PAD SHOWN

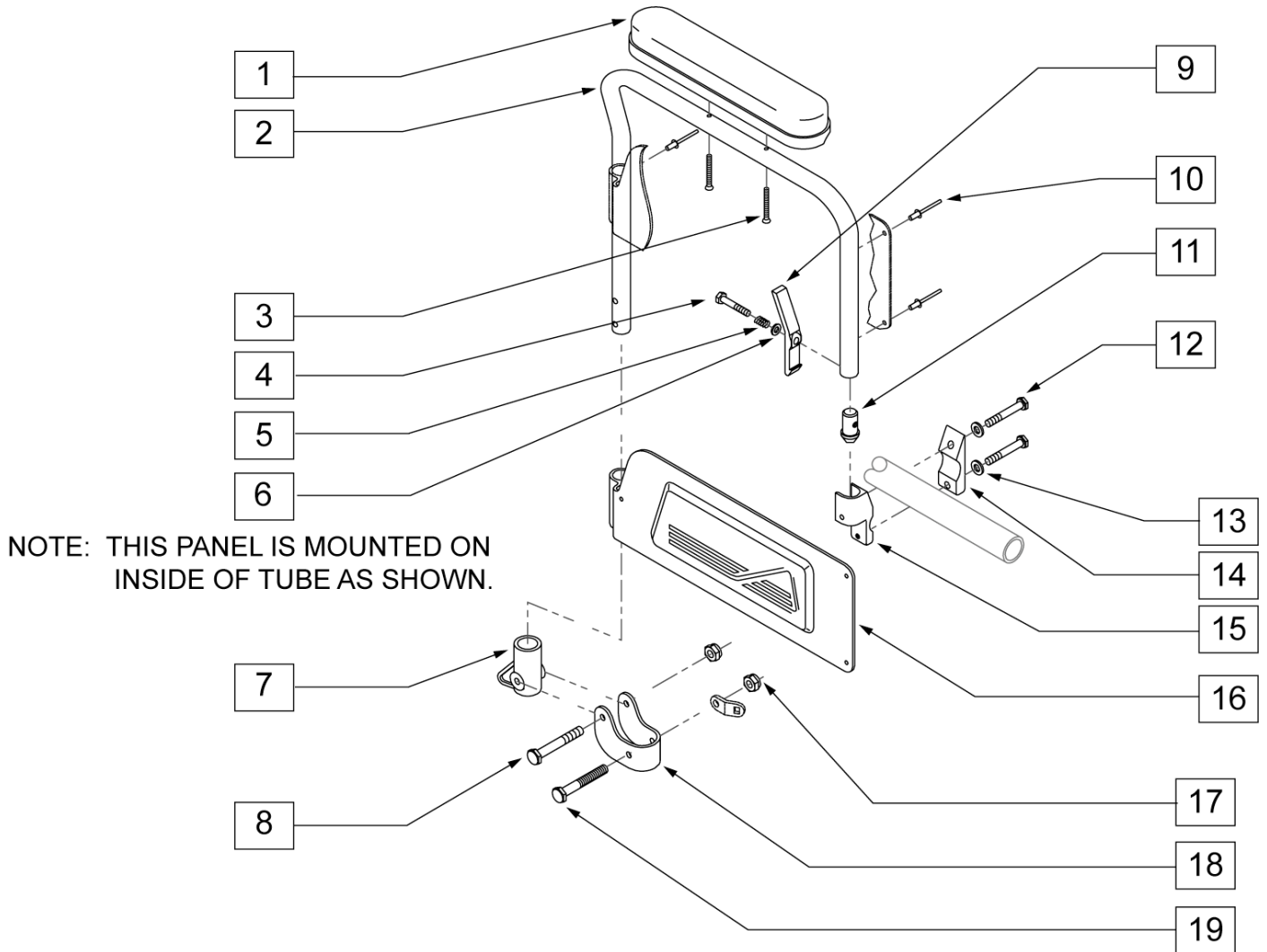
ARMREST	"A"
SHORT FOAM	10"-14"
LONG FOAM	12"-16"
DESK PAD	10"-14"
FULL PAD	12"-16"



Pos.	Item Number	Description	Remarks
1	221060	1/4-28 x 1/2 BH C/S	
2	880305	ADJUSTABLE FLIP-BACK TUBE W/LATCH	
3A	520496	GRW ADJUSTABLE LOCKING ARM SLEEVE 10 - 14	
3B	520497	GRW ADJUSTABLE LOCKING ARM SLEEVE 12 - 16	
4A	561002	1" INSERT PLUG .083	
4B	561062	1" INSERT PLUG .065	
5A	560299	7 x .940 x .20 FOAM GRIP	
5B	560300	9 x .940 x .20 FOAM GRIP	
5C	560640	9 x .93 x .155 FOAM GRIP"	
6	226198	5/16 - 18 x 2 BH C/S SHT THREAD	
7	263110-QU	5/16 WASHER FLAT THIN	
8A	550168	ADJUSTABLE LOCK FLIP-UP ARM MOUNT	RIGHT
8B	550169	ADJUSTABLE LOCK FLIP-UP ARM MOUNT	LEFT
9	201100-QU	1/4 - 28 NYLOCK NUT THIN	
10	202102	5/16 - 18 NYLOCK NUT THIN	
11	221133	1/4 - 28 x 1 1/2 G8 HEX C/S	
12A	550474	ADJUSTABLE FLIP-BACK ARM BRACKET	RIGHT
12B	550475	ADJUSTABLE FLIP-BACK ARM BRACKET	LEFT
13	561016	1" WASHER 5/16 HOLE	

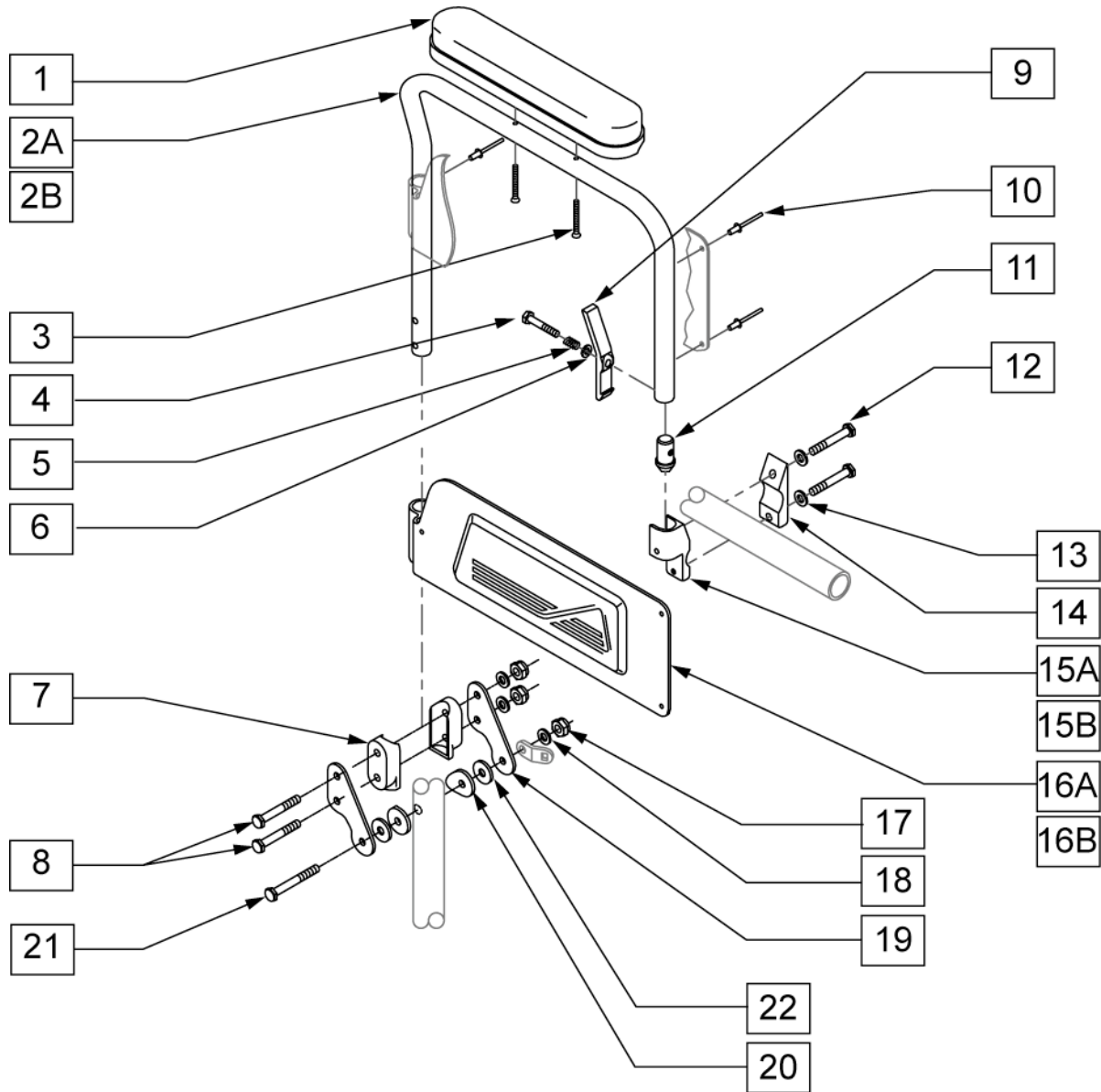
Pos.	Item Number	Description	Remarks
14	561006	1" SADDLE 5/16 HOLE	
15A	561024	ARMREST PAD 10" DESK	
15B	561031	ARMREST PAD 14" FULL	
16A	551390	ADJUSTABLE LOCKING FLIP-UP ADAPTER 10 - 14	
16B	551392	ADJUSTABLE LOCKING FLIP-UP ADAPTER 12 - 16	
17	262100-QU	1/4 AN WASHER FLAT	
18	227000	8 - 32 x 3/8 BH C/S BLK	
20	226020-QU	10 - 32 x 5/8 BH C/S BLK	
21	225110	10 - 32 x 3/8 SET SCREW	
3B, 4, 5C, 19-21	882074	FOAM PAD LONG ADJUSTABLE LENGTH	
3-5, 19-21	882075	FOAM PAD SHORT ADJUSTABLE LENGTH	
4, 15B, 16B, 19-21	882070	FULL PAD ADJUSTABLE LENGTH ASSM	RIGHT
4, 15B, 16B, 19-21	882071	FULL PAD ADJUSTABLE LENGTH ASSM	LEFT
4B, 15, 16, 19-21	882072	DESK PAD ADJUSTABLE LENGTH ASSM	RIGHT
4B, 15, 16, 19-21	882073	DESK PAD ADJUSTABLE LENGTH ASSM	LEFT
1-3B, 4, 5C, 6-14, 17-21	900454	ADJUSTABLE LENGTH LOCKING FLIP-UP FOAM LONG	PAIR
1-3B, 4, 5C, 6-14, 17, 18	881294	ADJUSTABLE LENGTH LOCKING FLIP-UP FOAM LONG	RIGHT
1-3B, 4, 5C, 6-14, 17, 18	881295	ADJUSTABLE LENGTH LOCKING FLIP-UP FOAM LONG	LEFT
1-14, 17-21	900455	ADJUSTABLE LENGTH LOCKING FLIP-UP FOAM SHORT	PAIR
1-14, 17-21	881296	ADJUSTABLE LENGTH LOCKING FLIP-UP FOAM SHORT	RIGHT
1-14, 17-21	881297	ADJUSTABLE LENGTH LOCKING FLIP-UP FOAM SHORT	LEFT
1, 2, 4, 6-14, 15B, 16B, 17-21	900452	ADJUSTABLE LENGTH LOCKING FLIP-UP ASSM FULL	PAIR
1, 2, 4, 6-14, 15B, 16B, 17-21	881290	ADJUSTABLE LENGTH LOCKING FLIP-UP FULL PAD	RIGHT
1, 2, 4, 6-14, 15B, 16B, 17-21	881291	ADJUSTABLE LENGTH LOCKING FLIP-UP FULL PAD	LEFT
1, 2, 4, 6-14, 17-21	900453	ADJUSTABLE LENGTH LOCKING FLIP-UP ASSM DESK	PAIR
1, 2, 4, 6-21	881292	ADJUSTABLE LENGTH LOCKING FLIP-UP DESK PAD	RIGHT
1, 2, 4, 6-21	881293	ADJUSTABLE LENGTH LOCKING FLIP-UP DESK PAD	LEFT

FLIP-BACK ARMREST



Pos.	Item Number	Description	Remarks
1	561024	ARMREST PAD 10" DESK	
3	226030-QU	10-32 x 1 1/4 BH C/S BLK	
4	221124-QU	1/4-28 x 1 1/4 G8 HEX C/S	
5	321141	.650L x 6 COIL SPRING	
6	262110-QU	1/4 AN WASHER FLAT THIN	
7	561080	ARM RECEIVER BRACKET	
8	221151-QU	1/4-28 x 1 3/4 G8 HEX C/S	
9	561067	ARM LATCH LEVER	
11	561075	ARM DOME PLUG BZ	
12	221127	1/4-28 x 1 3/8 HEX C/S	
13	262100-QU	1/4 AN WASHER FLAT	
14	550256	CLAMP ADJ FL STANDARD	
15A	550102	FRONT ARM RECEIVER	RIGHT
15B	550103	FRONT ARM RECEIVER	LEFT
17	201110-QU	1/4-28 NYLOCK NUT	
18	505352	FLIP-BACK ARM PIVOT BRACKET	
19	221192	1/4-28 x 2 G8 HEX C/S	
12-15	880106	FLIP-BACK FRONT RECEIVER W/CLAMP	RIGHT
12-15	880107	FLIP-BACK FRONT RECEIVER W/CLAMP	LEFT

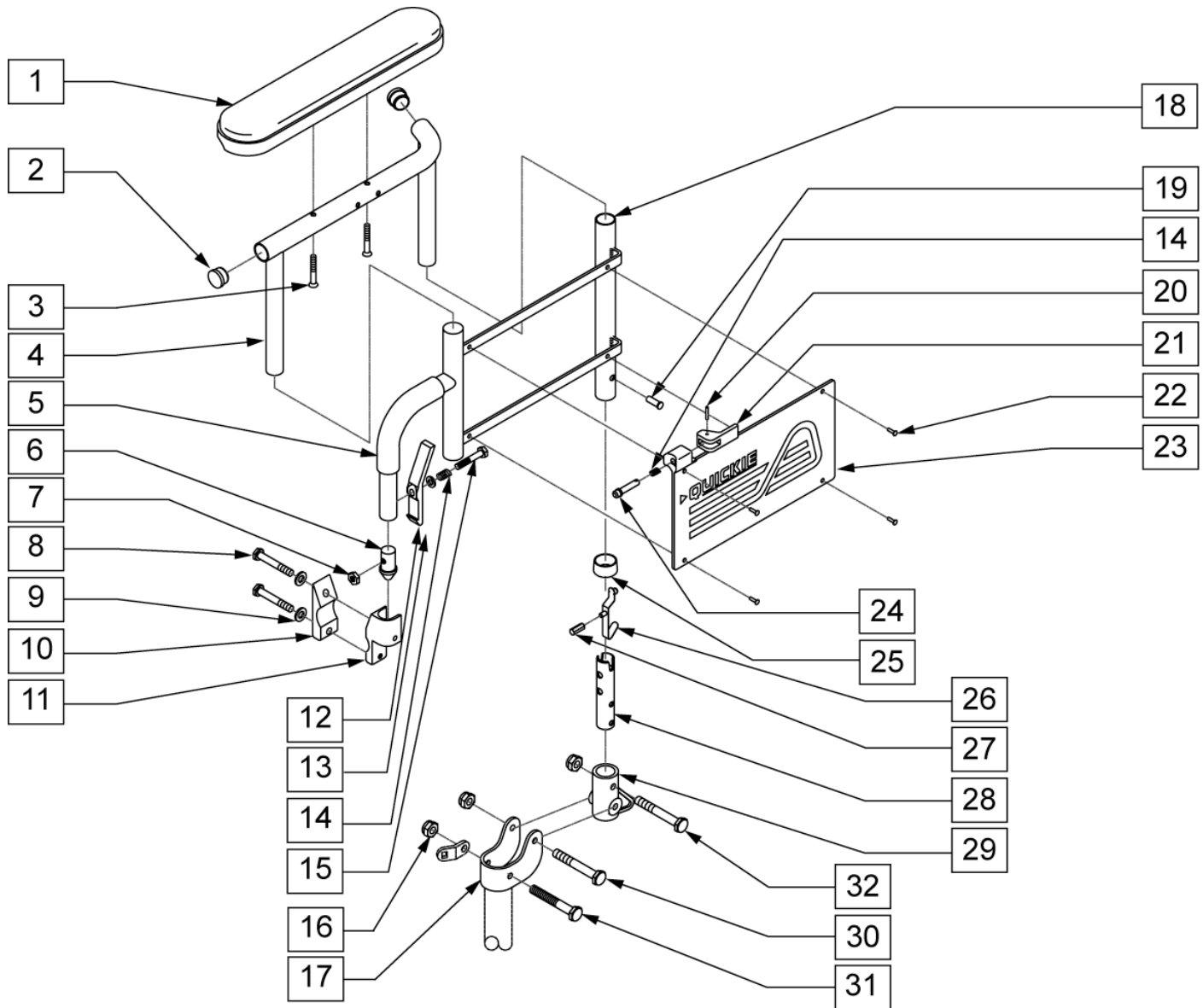
Pos.	Item Number	Description	Remarks
7,17-19	880108	FLIP-BACK ARM REAR RECEIVER W/ BRACKET	
1-11,16-19	880256	FLIP-BACK ARM ASSM DESK Q2	RIGHT
1-11,16-19	880257	FLIP-BACK ARM ASSM DESK Q2	LEFT
1-19	880258	FLIP-BACK ARM ASSM DESK W/RECEIVER Q2	RIGHT
1-19	880859	FLIP-BACK ARM ASSM DESK W/RECEIVER Q2	LEFT
1-19	900695	FLIP-BACK ARM ASSM DESK W/RECEIVER Q2	PAIR



RH SIDE SHOWN
LH SIDE TYPICAL

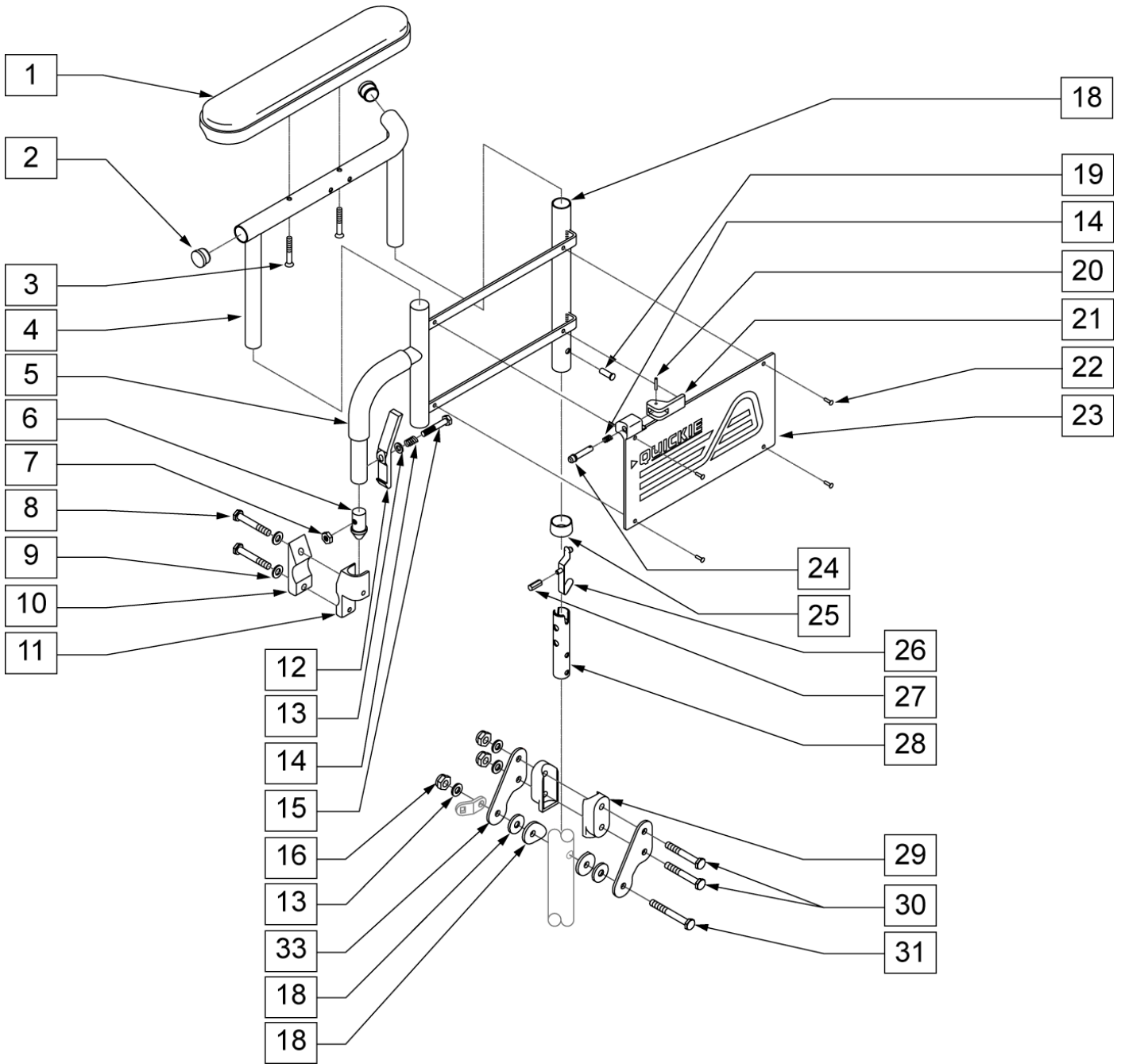
Pos.	Item Number	Description	Remarks
1	561024	ARMREST PAD 10" DESK	
3	226030-QU	10-32 X 1 1/4 BH C/S BLK	
4	221124	1/4-28 x 1 1/4 G8 HEX C/S	
5	321141	.650L x 6 COIL SPRING	
6	262110-QU	1/4 AN WASHER FLAT THIN	
7	562613	3/4 DOUBLE SADDLE CLOSED	
8	221192	1/4-28 x 2 G8 HEX C/S	
9	561067	ARM LATCH LEVER	
11	561075	ARM DOME PLUG BZ	
12	221127	1/4-28 x 1 3/8 HEX C/S	

Pos.	Item Number	Description	Remarks
13	262100-QU	1/4 AN WASHER FLAT	
14	550256	CLAMP ADJ FL STD	
15A	550102	FRONT ARM RECEIVER	RIGHT
15B	550103	FRONT ARM RECEIVER	LEFT
17	201110	1/4-28 NYLOCK NUT	
18	262100-QU	1/4 AN WASHER FLAT	
19	505158	ARMREST PIVOT PLATE W/NOTCH	
20	561086	1" HALF SADDLE 1/4 HOLE	
21	221191	1/4-28 x 2 1/4 G8 HEX C/S	
22	561016	1" WASHER 5/16 HOLE (QUICKIE 2HPTi)	USED WITH QUICKIE 2HPTi.
12-15	880106	FLIP-BACK FRONT RECEIVER W/CLAMP	RIGHT
12-15	880107	FLIP-BACK FRONT RECEIVER W/CLAMP	LEFT
1-11, 16-21	881222	FLIP-BACK ARM ASSM DESK Rx/HPTi	RIGHT
1-11, 16-21	881223	FLIP-BACK ARM ASSM DESK Rx/HPTi	LEFT
1-21	881224	FLIP-BACK ARM DESK W/RECEIVER Rx/HPTi	RIGHT
1-21	881225	FLIP-BACK ARM DESK W/RECEIVER Rx/HPTi	LEFT
1-21	900774	FLIP-BACK ARMS DESK W/RECEIVER Rx/HPTi	PAIR



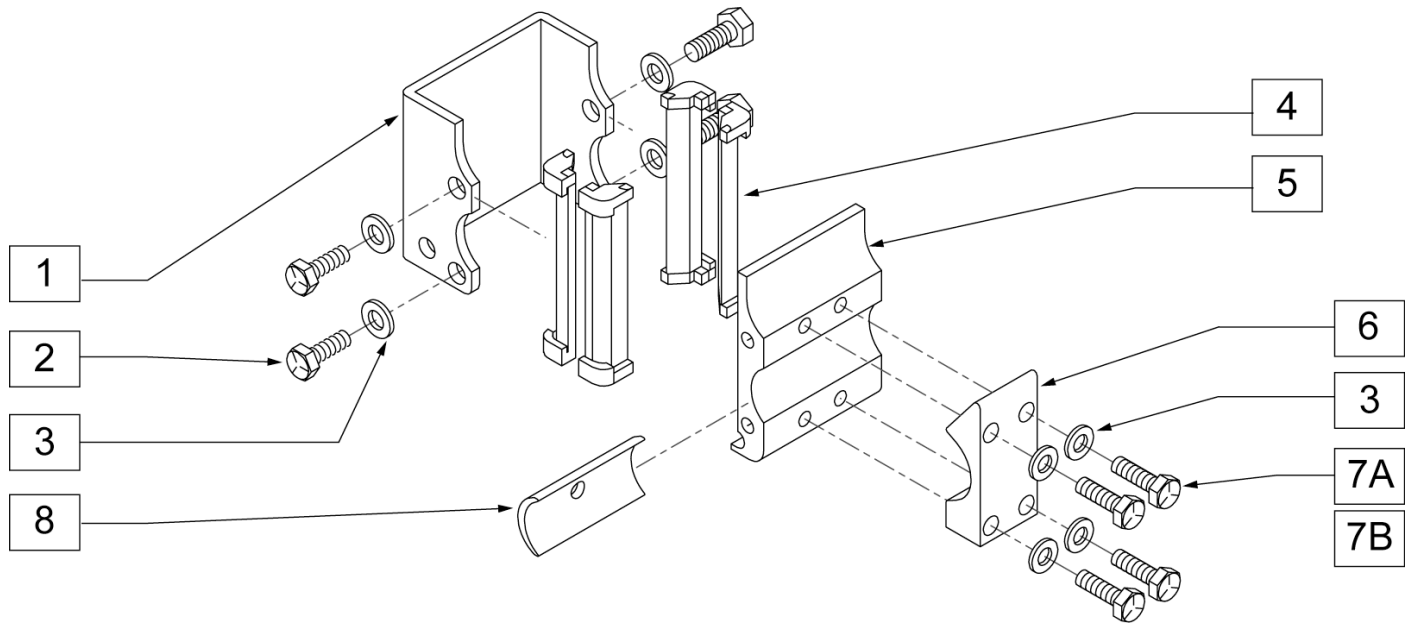
Pos.	Item Number	Description	Remarks
1A	561024	ARMREST PAD 10 DESK	
1B	561031	ARMREST PAD 14 FULL	
2	560735	7/8 ROUND TUBE PLUG	
3	226030-QU	10-32 x 1 1/4 BH C/S BLK	
4A	521834	FLIP-BACK HEIGHT ADJUSTABLE POWER ARM DESK	RIGHT
4B	521835	FLIP-BACK HEIGHT ADJUSTABLE POWER ARM DESK	LEFT
4C	521836	FLIP-BACK HEIGHT ADJUSTABLE POWER ARM FULL	RIGHT
4D	521837	FLIP-BACK HEIGHT ADJUSTABLE POWER ARM FULL	LEFT
5	560610	5 x .705 x .125 FOAM TUBE	
6	561065	ARMREST DOME PLUG BR	
7	201100-QU	1/4-28 NYLOCK NUT THIN	
8	221127	1/4-28 x 1 3/8 HEX C/S	
9	262100-QU	1/4 AN WASHER FLAT	
10	550256	CLAMP ADJ FULL STD	
11A	550102	FRONT ARM RECEIVER	RIGHT

Pos.	Item Number	Description	Remarks
11B	550103	FRONT ARM RECEIVER	LEFT
12	561067	ARM LATCH LEVER	
13	262100-QU	1/4 AN WASHER FLAT	
15	221124-QU	1/4-28 x 1 1/4 G8 HEX C/S	
16	201110-QU	1/4-28 NYLOCK NUT	
17	505352	FLIP-BACK ARM PIVOT BRACKET	
29	561080	ARM RECEIVER BR	
30	221151-QU	1/4-28 x 1 3/4 G8 HEX C/S	
31	221192	1/4-28 x 2 G8 HEX C/S	
32	221130	1/4-28 x 1 1/2 HEX C/S	
8-11	880106	FLIP-BACK FRONT RECEIVER W/CLAMP	RIGHT
8-11	880107	FLIP-BACK FRONT RECEIVER W/CLAMP	LEFT
18, 23	880306	FLIP-BACK HEIGHT ADJUSTABLE LOWER ARM W/PANEL	RIGHT
18, 23	880307	FLIP-BACK HEIGHT ADJUSTABLE LOWER ARM W/PANEL	LEFT
26-28	880261	RECEIVER POST W/BUTTON	
1-4	880390	FLIP-BACK HEIGHT ADJUSTABLE UPPER ARM W/DESK	RIGHT
1-4	880391	FLIP-BACK HEIGHT ADJUSTABLE UPPER ARM W/DESK	LEFT
1-4	880392	FLIP-BACK HEIGHT ADJUSTABLE UPPER ARM ASSM FULL	RIGHT
1-4	880393	FLIP-BACK HEIGHT ADJUSTABLE UPPER ARM ASSM FULL	LEFT
5-7,12-15, 18-25	880288	FLIP-BACK HEIGHT ADJUSTABLE LOWER ARM ASSM	RIGHT
5-7,12-15, 18-25	880289	FLIP-BACK HEIGHT ADJUSTABLE LOWER ARM ASSM	LEFT
5-7,12-15, 18-25	880296	FLIP-BACK HEIGHT ADJUSTABLE ARM ASSM DESK	RIGHT
5-7,12-15, 18-25	880297	FLIP-BACK HEIGHT ADJUSTABLE ARM ASSM DESK	LEFT
5-7,12-15, 18-25	880396	FLIP-BACK HEIGHT ADJUSTABLE ARM ASSM FULL	RIGHT
5-7,12-15, 18-25	880397	FLIP-BACK HEIGHT ADJUSTABLE ARM ASSM FULL	LEFT
1-32	923220	FLIP-BACK HEIGHT ADJUSTABLE DESK ARM RETRO	PAIR
1-32	923221	FLIP-BACK HEIGHT ADJUSTABLE FULL ARM RETRO	PAIR
16, 29, 32	880009	RETRO KIT BR FLIP-BACK HEIGHT ADJUSTABLE ARM	
16, 17, 26-31	880109	FLIP-BACK HEIGHT ADJUSTABLE RR REC ASSM W/PST	



Pos.	Item Number	Description	Remarks
1A	561024	ARMREST PAD 10 DESK	
1B	561031	ARMREST PAD 14 FULL	
2	560735	7/8 ROUND TUBE PLUG	
3	226030-QU	10-32 x 1 1/4 BH C/S BLK	
4A	521834	FLIP-BACK HEIGHT ADJUSTABLE POWER ARM DESK	RIGHT
4B	521835	FLIP-BACK HEIGHT ADJUSTABLE POWER ARM DESK	LEFT
4C	521836	FLIP-BACK HEIGHT ADJUSTABLE POWER ARM FULL	RIGHT
4D	521837	FLIP-BACK HEIGHT ADJUSTABLE POWER ARM FULL	LEFT
5	560610	5 x .705 x .125 FOAM TUBE	
6	561065	ARMREST DOME PLUG BR	
7	201100-QU	1/4-28 NYLOCK NUT THIN	

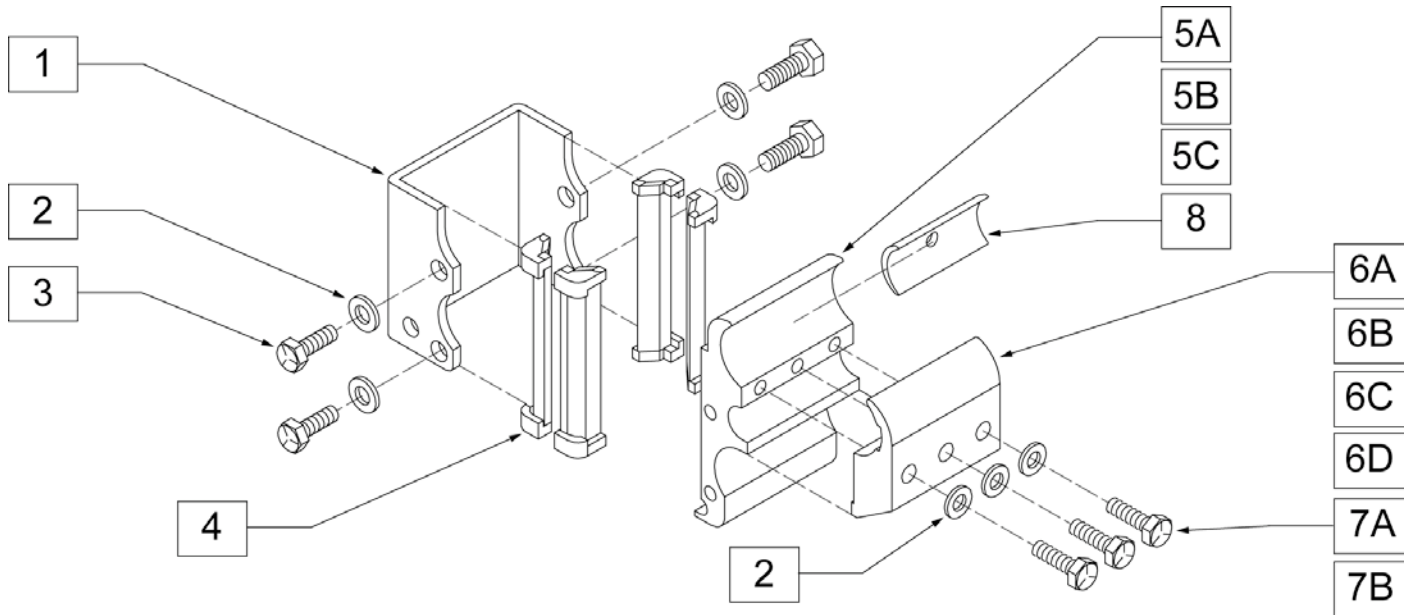
Pos.	Item Number	Description	Remarks
8	221127	1/4-28 x 1 3/8 HEX C/S	
9	262100-QU	1/4 AN WASHER FLAT	
10	550256	CLAMP ADJ FULL STD	
11A	550102	FRONT ARM RECEIVER	RIGHT
11B	550103	FRONT ARM RECEIVER	LEFT
12	561067	ARM LATCH LEVER	
13	262100-QU	1/4 AN WASHER FLAT	
15	221124-QU	1/4-28 x 1 1/4 G8 HEX C/S	
16	201110-QU	1/4-28 NYLOCK NUT	
17	505158	ARMREST PIVOT PLATE W/ NOTCH	
18	561086	1" HALF SADDLE 1/4" HOLE	
29	561080	ARM RECEIVER BR	
30	221151-QU	1/4-28 x 1 3/4 G8 HEX C/S	
31	221192	1/4-28 x 2 G8 HEX C/S	
32	563065	3/4 ANTI-RATTLE	
33	561016	1" WASHER 5/16 HOLE	QUICKIE 2HPTi
8-11	880106	FLIP-BACK FRONT RECEIVER W/CLAMP	RIGHT
8-11	880107	FLIP-BACK FRONT RECEIVER W/CLAMP	LEFT
14, 19-24, 32	880306	FLIP-BACK HEIGHT ADJUSTABLE LOWER ARM W/PANEL	RIGHT
14, 19-24, 32	880307	FLIP-BACK HEIGHT ADJUSTABLE LOWER ARM W/PANEL	LEFT
26-28	880261	RECEIVER POST W/BUTTON	
1-4	880390	FLIP-BACK HEIGHT ADJUSTABLE UPPER ARM W/DESK	RIGHT
1-4	880391	FLIP-BACK HEIGHT ADJUSTABLE UPPER ARM W/DESK	LEFT
1-4	880392	FLIP-BACK HEIGHT ADJUSTABLE UPPER ARM ASSM FULL	RIGHT
1-4	880393	FLIP-BACK HEIGHT ADJUSTABLE UPPER ARM ASSM FULL	LEFT
5-7,12-15, 19-25, 32	880288	FLIP-BACK HEIGHT ADJUSTABLE LOWER ARM ASSM	RIGHT
5-7,12-15, 19-25, 32	880289	FLIP-BACK HEIGHT ADJUSTABLE LOWER ARM ASSM	LEFT
1-7,12-15, 19-25, 32	880296	FLIP-BACK HEIGHT ADJUSTABLE ARM ASSM DESK	RIGHT
1-7,12-15, 19-25, 32	880297	FLIP-BACK HEIGHT ADJUSTABLE ARM ASSM DESK	LEFT
1-7,12-15, 19-25, 32	880396	FLIP-BACK HEIGHT ADJUSTABLE ARM ASSM FULL	RIGHT
1-7,12-15, 19-25, 32	880397	FLIP-BACK HEIGHT ADJUSTABLE ARM ASSM FULL	LEFT
1-32	923232	FLIP-BACK HEIGHT ADJUSTABLE DESK ARMS Rx/HPTi	PAIR
1-32	923233	FLIP-BACK HEIGHT ADJUSTABLE FULL ARMS Rx/HPTi	PAIR



Pos.	Item Number	Description	Remarks
1	550485	HEIGHT ADJUSTABLE RECEIVER CHANNEL	
2	221096	1/4-28 x 5/8 HEX C/S	
3	262100-QU	1/4 AN WASHER FLAT	
4	561134	HEIGHT ADJUSTABLE RECEIVER LINER	
5	550483	HEIGHT ADJUSTABLE RECEIVER STD	
6	550490	HEIGHT ADJUSTABLE RECEIVER CLAMP 4 HOLE	
7A	221127	1/4-28 x 1 3/8 HEX C/S	
7B	221133	1/4-28 X 1 1/2 G8 HEX C/S	USE WITH RECIEVER SPACER
8	550486	HEIGHT ADJUSTABLE RECEIVER SPACER	Used to space Armrest 1/8" from frame on each side
1-5	880230	HEIGHT ADJUSTABLE RECIEVER STD W/O CLAMP	
1-7	880240	HEIGHT ADJUSTABLE RECIEVER STD W/ CLAMP	
1-8	880245	HEIGHT ADJUSTABLE RECIEVER STD W/ CLAMP AND SPACER	RIGHT

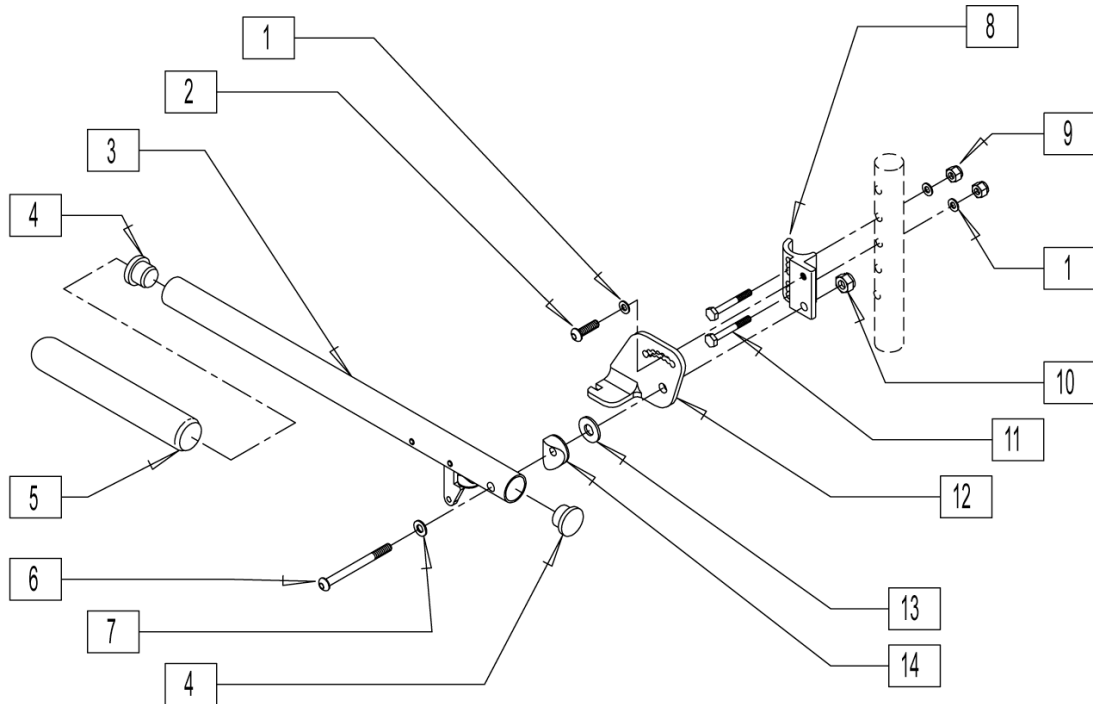
KIDS ARMREST RECEIVERS

(07/2007)

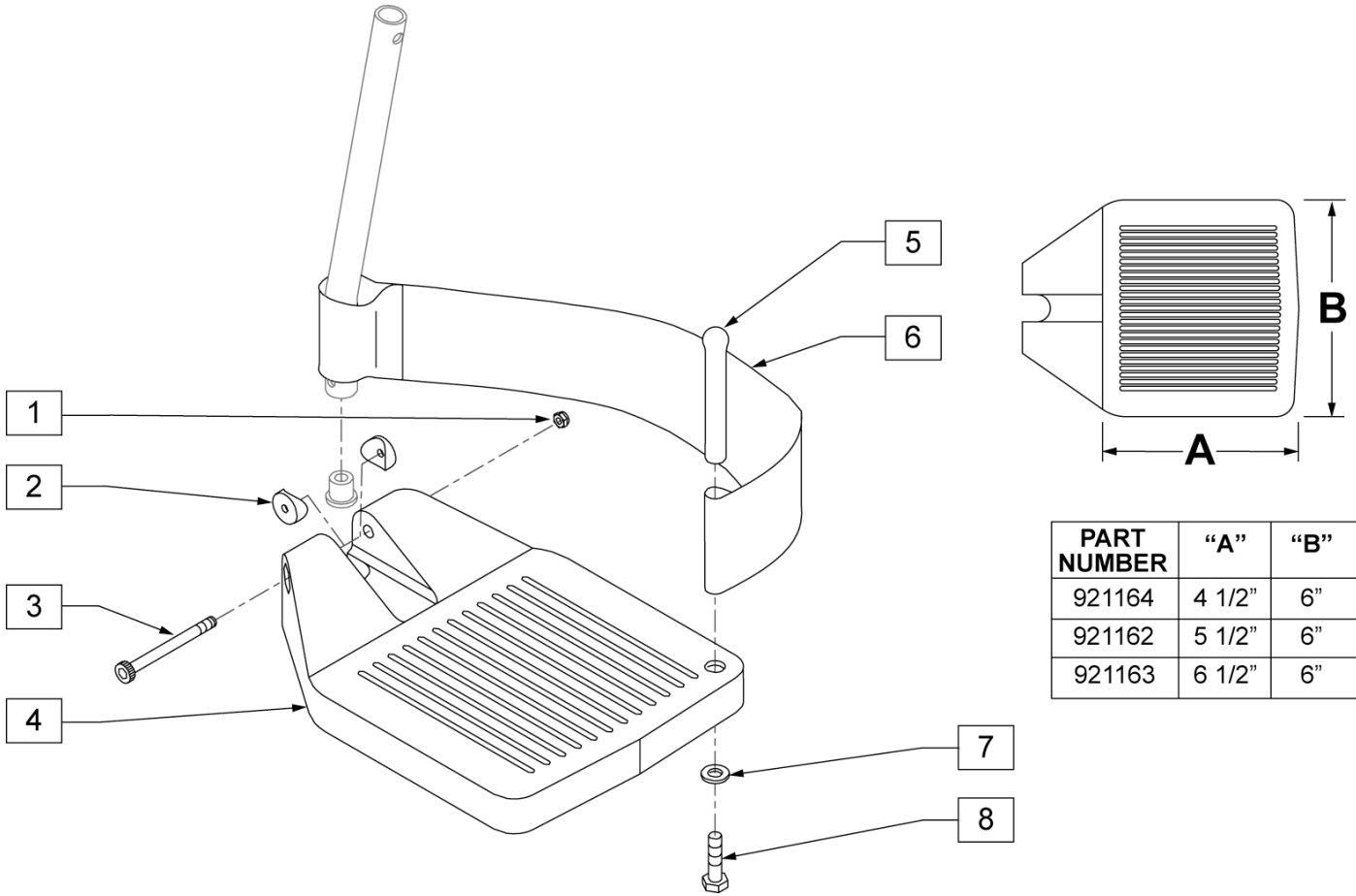


Pos.	Item Number	Description	Remarks
1	550485	HEIGHT ADJUSTABLE RECEIVER CHANNEL	
2	262100-QU	1/4 AN WASHER FLAT	
3	221096	1/4-28 x 5/8 HEX C/S	
4	561134	HEIGHT ADJUSTABLE RECEIVER LINER	
5A	550483	HEIGHT ADJUSTABLE RECEIVER STD	
5B	550528	HEIGHT ADJUSTABLE RECEIVER ZIPPIE	
5B	550484	HEIGHT ADJUSTABLE RECEIVER LOW	
6A	550490	HEIGHT ADJUSTABLE RECEIVER CLAMP 4 HOLE	
6B	550529	HEIGHT ADJUSTABLE RECIEVER CLAMP ZIPPIE	
6C	550755	HEIGHT ADJUSTABLE RECIEVER ARM CLAMP RIGID	
6D	550491	HEIGHT ADJUSTABLE RECIEVER CLAMP LOW	
7A	221133	1/4-28 x 1 1/2 G8 HEX C/S	
7B	221127	1/4-28 x 1 3/8 HEX C/S	Used with spacer
8	550486	HEIGHT ADJUSTABLE RECEIVER SPACER	Used to space Armrest 1/8" from frame on each side
1-5, 6, 7B	880240	HEIGHT ADJUSTABLE RECIEVER STD W/ CLAMP	
1-5	880230	HEIGHT ADJUSTABLE RECIEVER STD W/O CLAMP	
1-4, 5C	880231	HEIGHT ADJUSTABLE RECIEVER KIDS W/O CLAMP	
1-4, 5, 6C, 7	880236	HEIGHT ADJUSTABLE RECIEVER W/ ARM CLAMP	RIGHT
1-4, 5, 6C, 7	880237	HEIGHT ADJUSTABLE RECIEVER W/ ARM CLAMP	LEFT
1-4, 5C, 6D, 7	880241	HEIGHT ADJUSTABLE RECIEVER KIDS W/ CLAMP	
1-4, 5C, 6D, 7, 8	880249	HEIGHT ADJUSTABLE RECIEVER KIDS W/ CLAMP AND SPACER	
1-4, 5B	882679	HEIGHT ADJUSTABLE RECIEVER W/O CLAMP ZIPPIE TS	
1-4, 5B, 6A, 6B, 7	882680	HEIGHT ADJUSTABLE RECIEVER W/ CLAMP ZIPPIE TS	

ADJUSTABLE LOCKING FLIP-UP ARMREST



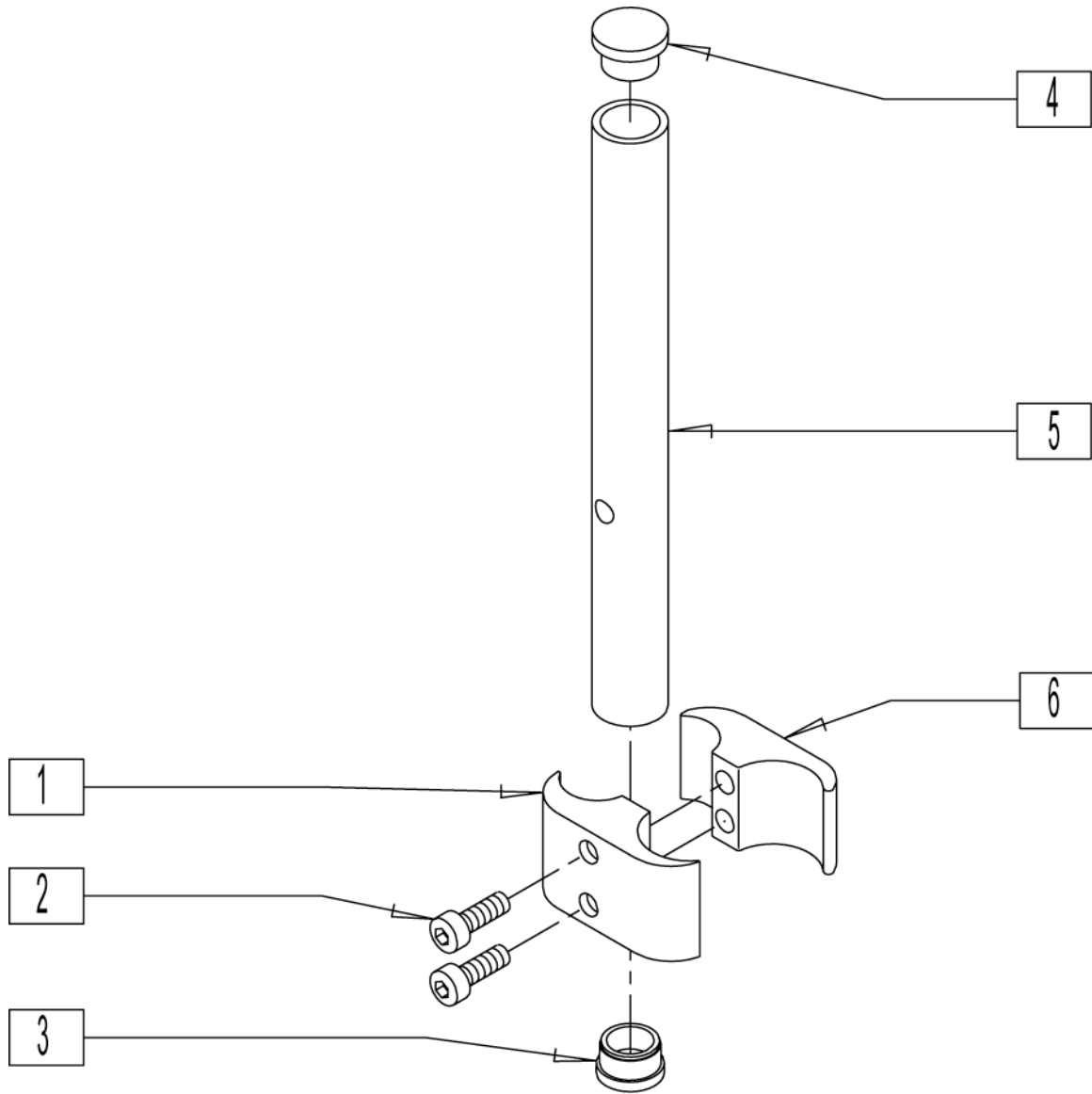
Pos.	Item Number	Description	Remarks
1	262100-QU	1/4 AN WASHER FLAT	
2	221060	1/4-28 x 1/2 BH C/S	
4	561002	" 1" INSERT PLUG .083 "	
5	560640	9 x .93 x .155 FOAM GRIP	
6	226198	5/16-18 x 2 BH C/S SHT THREAD	
7	263110-QU	5/16 WASHER FLAT THIN	
8	550168	ADJ LOCK FLIP-UP ARM MNT R	
8	550169	ADJ LOCK FLIP-UP ARM MNT L	
9	201100-QU	1/4-28 NYLOCK NUT THIN	
10	202102	5/16-18 NYLOCK NUT THIN	
11	221133	1/4-28 x 1 1/2 G8 HEX C/S	
12	550474	ADJ FLIP-BACK ARM BRACKET R	
12	550475	ADJ FLIP BACK ARM BRACKET L	
13	561016	1? WASHER 5/16? HOLE	
14	561006	1? SADDLE 5/16? HOLE	
3-5	880274	ADJ FLIP-BACK TUBE W/LATCH	
1,2,6,8-10	881272	ADJ LOCK F-UP ARMREST RETRO R	USE FOR ARMREST PRIOR TO 7/22/96
1,2,6,8-10	881273	ADJ LOCK F-UP ARMREST RETRO L	USE FOR ARMREST PRIOR TO 7/22/96
1-14	880272	ADJ FLIP BACK ARMREST R	
1-14	880273	ADJ FLIP BACK ARMREST L	
1-14	900449	ADJ LOCK FLIP-UP ARMREST ASSM	PAIR



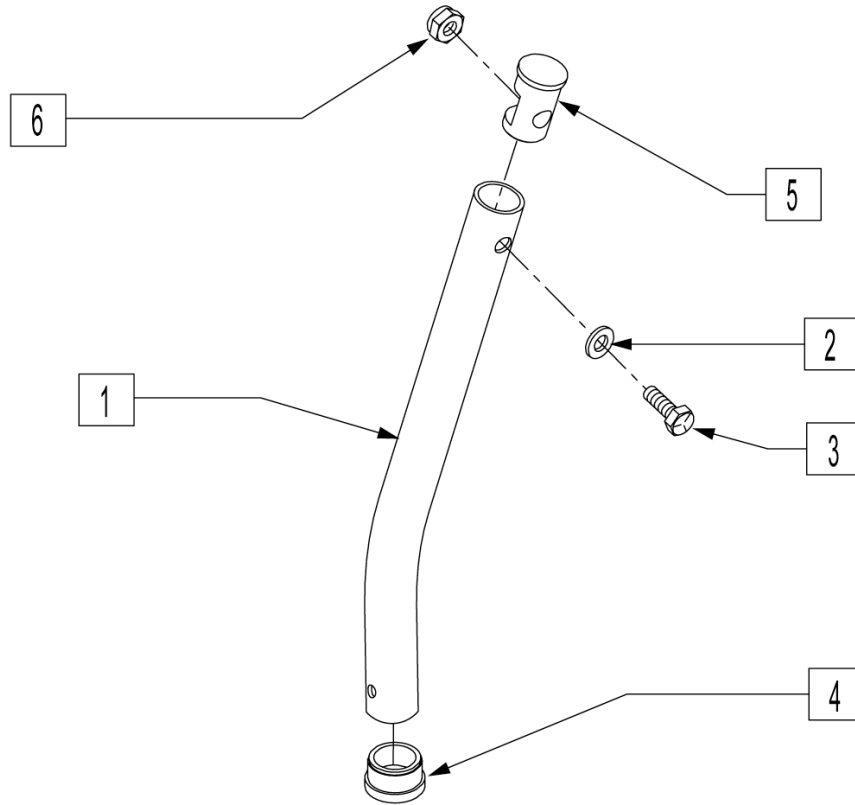
PART NUMBER	"A"	"B"
921164	4 1/2"	6"
921162	5 1/2"	6"
921163	6 1/2"	6"

Pos.	Item Number	Description	Remarks
1	201100-QU	1/4 - 28 NYLOCK NUT	
2	561003	3/4" SADDLE THIN	
3	226165	1/4 - 28 x 2 1/2 SOC C/S	
4	561200	COMPOSITE FOOTPLATE 14 - 15 (16 - 18 V)	
4	561210	COMPOSITE FOOTPLATE 16 - 17 (19 - 20 V)	
4	561220	COMPOSITE FOOTPLATE 18 - 20	
5	561040	HEEL LOOP PEG	
6	741151	HEEL LOOP 14-15 COMPOSITE	
6	741153	HEEL LOOP 18-20 COMPOSITE/14-15 ANG ADJ	
6	902270	HEEL LOOP COMPOSITE FT 14-15	
6	902271	HEEL LOOP COMPOSITE FT 16-17	
6	902272	HEEL LOOP COMPOSITE FT 18-20	
6	741154	HEEL LOOP 14-15 COMPOSITE HEMI	
6	741155	HEEL LOOP 16-17 COMPOSITE HEMI	
6	741156	HEEL LOOP 18-20 COMPOSITE HEMI	
6	902260	HEEL LOOPS HEMI COMPOSITE 14-15	PAIR
6	902261	HEEL LOOPS HEMI COMPOSITE 16-17	PAIR
6	902262	HEEL LOOPS HEMI COMPOSITE 18-20	PAIR
6	741210	HEEL LOOP 14-15 BREEZY	
6	741211	HEEL LOOP 16-17 BREEZY	
6	741212	HEEL LOOP 18-20 BREEZY	
6	902290	HEEL LOOP 14-15 BREEZY	PAIR
6	902291	HEEL LOOP 16-17 BREEZY	PAIR
6	902292	HEEL LOOP 18-20 BREEZY	PAIR

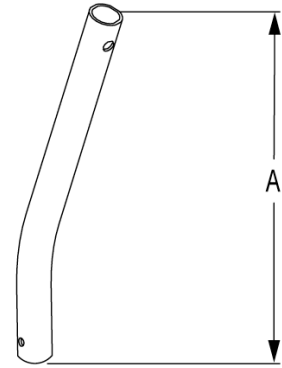
Pos.	Item Number	Description	Remarks
7	262110-QU	1/4" AN WASHER FLAT THIN	
8	221110	1/4 - 20 x 1 HEX C/S	
1, 3, 4	921180	COMPOSITE FOOTPLATE ASSM 14-15	RIGHT
1, 3, 4	921181	COMPOSITE FOOTPLATE ASSM 14-15	LEFT
1, 3, 4	921182	COMPOSITE FOOTPLATE ASSM 16-17	RIGHT
1, 3, 4	921183	COMPOSITE FOOTPLATE ASSM 16-17	LEFT
1, 3, 4	921184	COMPOSITE FOOTPLATE ASSM 18-20	RIGHT
1, 3, 4	921185	COMPOSITE FOOTPLATE ASSM 18-20	LEFT
1, 3, 4	921151	COMPOSITE FOOTPLATE ASSM 14-15/16-18V	
1, 3, 4	921152	COMPOSITE FOOTPLATE ASSM 16-17/19-20V	
1, 3, 4	921153	COMPOSITE FOOTPLATE ASSM 18-20	
1, 3, 4	921190	COMPOSITE FOOTPLATE ASSM HL LP 14-15	RIGHT
	921191	COMPOSITE FOOTPLATE ASSM HL LP 14-15	LEFT
1, 3-8	921192	COMPOSITE FOOTPLATE ASSM HL LP 16-17	RIGHT
1, 3-8	921193	COMPOSITE FOOTPLATE ASSM HL LP 16-17	LEFT
1, 3-8	921194	COMPOSITE FOOTPLATE ASSM HL LP 18-20	RIGHT
1, 3-8	921195	COMPOSITE FOOTPLATE ASSM HL LP 18-20	LEFT
1, 3-8	921161	COMPOSITE FOOTPLATE ASSM HL 14-15/16-18V	
1, 3-8	921162	COMPOSITE FOOTPLATE ASSM HL 16-17/19-20V	
1, 3-8	921163	COMPOSITE FOOTPLATE ASSM HL 18-20	
1, 3-8	921167	COMPOSITE FOOTPLATE ASSM HEMI HL LPS 14-15	
1, 3-8	921168	COMPOSITE FOOTPLATE ASSM HEMI HL LPS 16-17	
1, 3-8	921169	COMPOSITE FOOTPLATE ASSM HEMI HL LPS 18-20	
1, 3-8	921140	COMPOSITE FOOTPLATE ASSM HEMI HL LP 14-15	RIGHT
1, 3-8	921141	COMPOSITE FOOTPLATE ASSM HEMI HL LP 14-15	LEFT
1, 3-8	921142	COMPOSITE FOOTPLATE ASSM HEMI HL LP 16-17	RIGHT
1, 3-8	921143	COMPOSITE FOOTPLATE ASSM HEMI HL LP 16-17	LEFT
1, 3-8	921144	COMPOSITE FOOTPLATE ASSM HEMI HL LP 18-20	RIGHT
1, 3-8	921145	COMPOSITE FOOTPLATE ASSM HEMI HL LP 18-20	LEFT



Pos.	Item Number	Description	Remarks
1	550657	CLAMP 1 1/4" RECESS FULL BLK	
2	226112	1/4-28 x 1 SOC C/S BLK	
3	561000-QU	3/4" INSERT PLUG .083	
4	482016	HIGH-MOUNT FL FT TUBE PLUG	
5	524100	H/M FL FT EXT TUBE BLK	
6	550658	CLAMP 1 1/4" THREADED BLK	
1,2,6	880538	HI-MOUNT FR CLAMP ASSEMBLY BLK	
1-6	921550	H/M FL FT CLAMPS AND TUBES (PR)	Pair

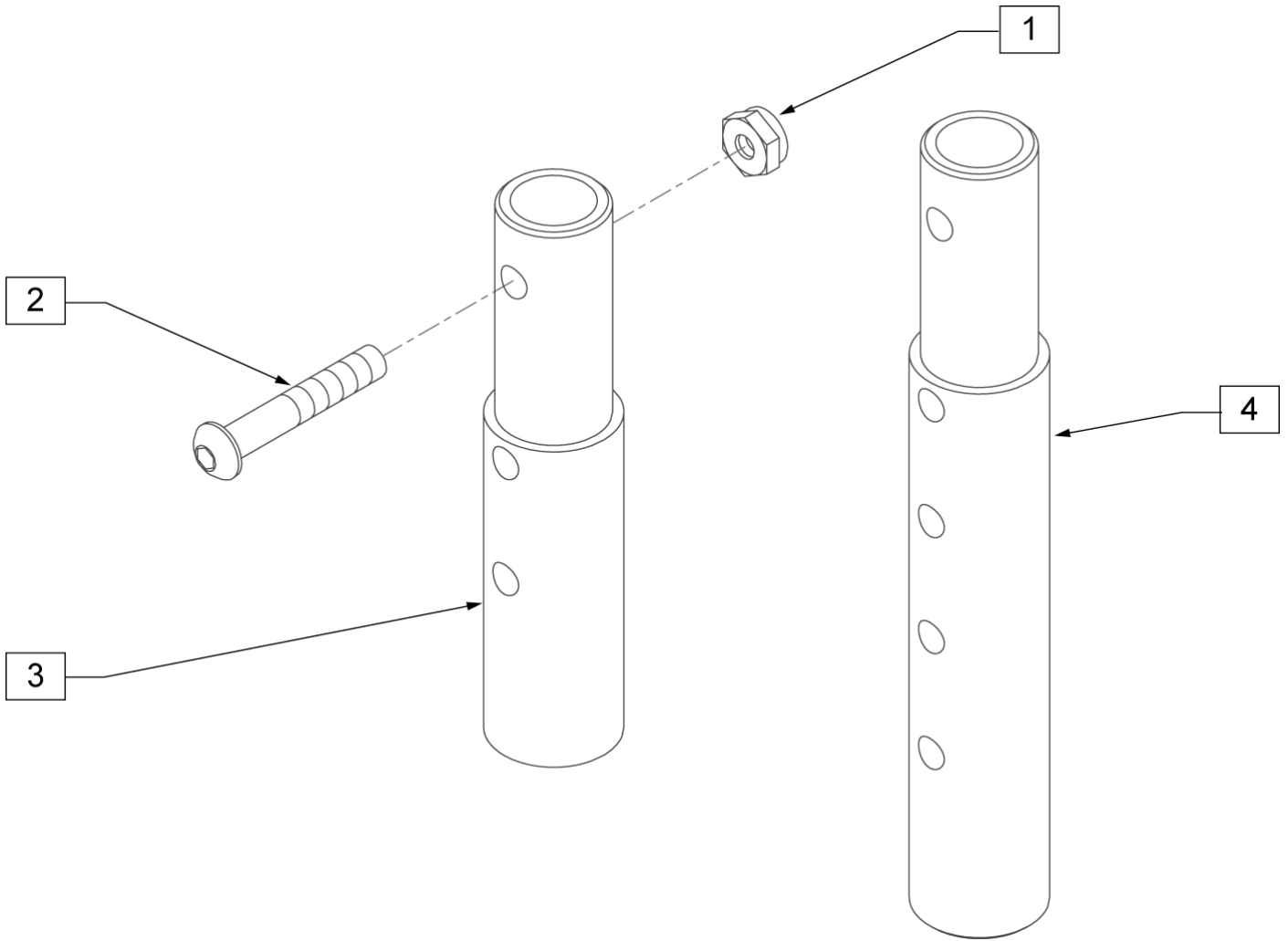


MEASURING GUIDE



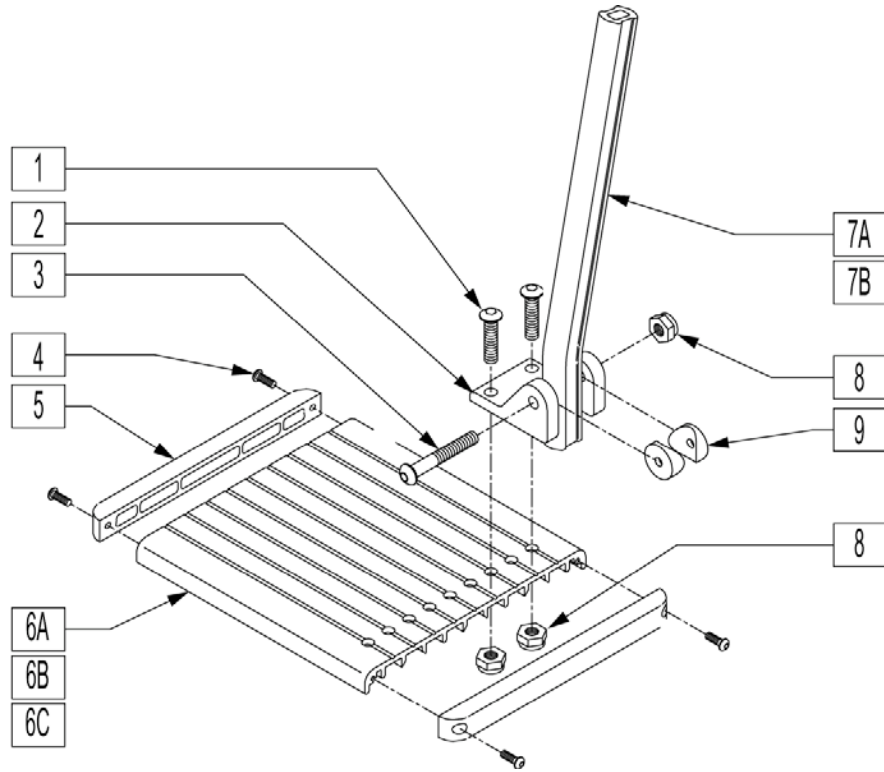
DESCRIPTION	"A"
SHT	6 5/8"
MED	9"
LONG	11 5/8"
X-LONG	13 1/2"

Pos.	Item Number	Description	Remarks
1	521010	FOOTREST EXT TUBE ONLY SHT BLK	
1	521011	FOOTREST EXT TUBE ONLY MED BLK	
1	521012	FOOTREST EXT TUBE ONLY LNG BLK	
1	521013	FOOTREST EXT TUBE ONLY X-LNG BLK	
2	262130	6mm WASHER WAVE	
3	221110	1/4-20 x 1 HEX C/S	
4	561000-QU	3/4" INSERT PLUG .083	
5	483553	FOOTREST INSERT PLUG Q2	
6	201136	1/4-20 NYLOCK NUT	
1-6	921221	FOOTREST EXT TUBE SHT ASSM BLK (EA)	
1-6	921222	FOOTREST EXT TUBE MED ASSM BLK (EA)	
1-6	921223	FOOTREST EXT TUBE LNG ASSM BLK (EA)	
1-6	921224	F/REST EXT TUBE X-LNG ASSM BLK (EA)	

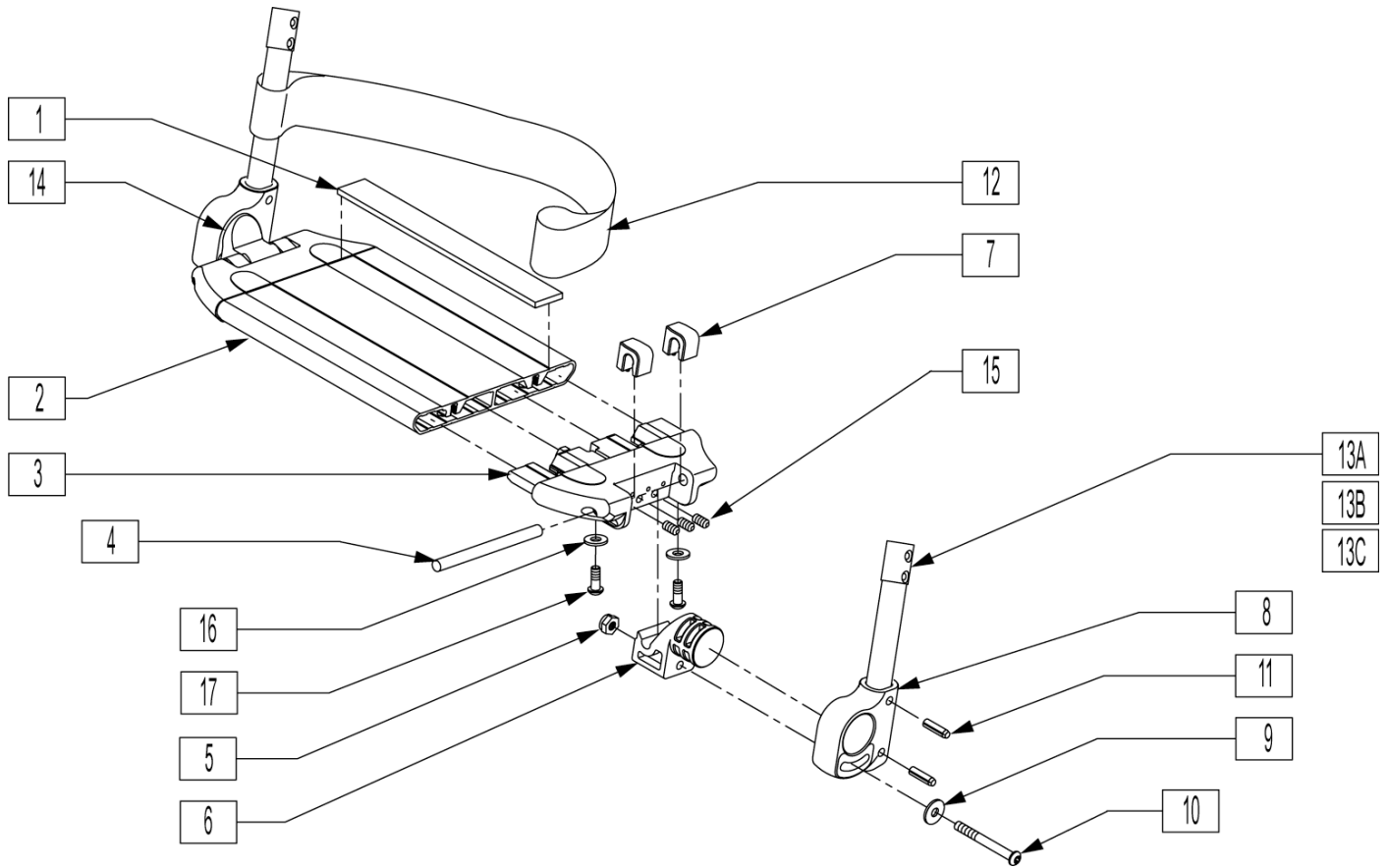


Pos.	Item Number	Description	Remarks
1	201100-QU	1/4 - 28 NYLOCK NUT THIN	
2	226129	1/4 - 28 x 1 1/4 BH C/S	
3	500150	2" FOOTREST EXTENSION TUBE	
4	483051	4" FOOTREST EXTENSION TUBE T45	
1-3	881403	2" FOOTREST EXTENSION TUBE W/ HDWR ASSM	
1, 2, 4	881404	4" FOOTREST EXTENSION TUBE W/ HDWR ASSM	

ALUMINUM FOOTPLATE

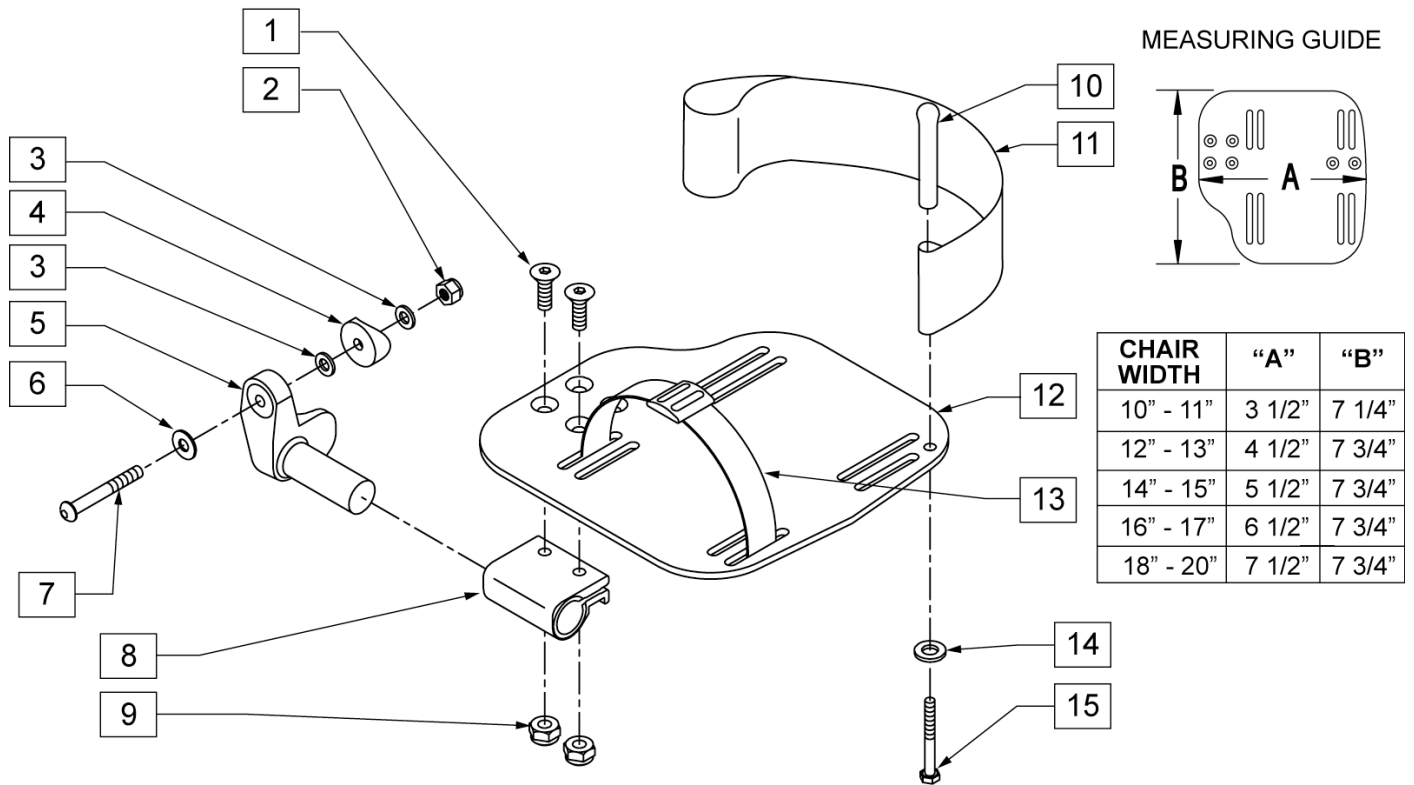


Pos.	Item Number	Description	Remarks
1	226090	1/4-28 x 5/8 BH C/S	
2	550739	FOOTPLATE MNT BRKT	
3	226148	1/4-28 x 1.85 BH C/S	
7A	550764	FOOTREST EXT TUBE ELR SHT CLR	14-18" LEG LENGHT
7B	550765	FOOTREST EXT TUBE ELR LONG CLR	16-20.5" LEG LENGTH
8	201100-QU	1/4-28 NYLOCK NUT THIN	
9	561003	3/4" SADDLE THIN	
4-6	882337	ELR FOOTPLATE 14-15""W/END CAP	
4,5,6A	882338	ELR FOOTPLATE 16-17""W/END CAP	
4,5,6B	882339	ELR FOOTPLATE 18-20""W/END CAP	
1-6,8,9	921400	ELR FOOTPLATE KIT 14-15" ANO (EA)	
1-5,6A,8,9	921401	ELR FOOTPLATE KIT 16-17" ANO (EA)	
1-5,6B,8,9	921402	ELR FOOTPLATE KIT 18-20" ANO (EA)	
1-6A,7A-9	101556	ELR FOOTPLATE KIT 14-15" SHT	
1-6B,7A-9	101557	ELR FOOTPLATE KIT 16-17" SHT	
1-6C,7A-9	101558	ELR FOOTPLATE KIT 18-20" SHT	
1-6A,7B-9	101559	ELR FOOTPLATE KIT 14-15" LNG	
1-6B,7B-9	101560	ELR FOOTPLATE KIT 16-17" LNG	
1-6C,7B-9	101561	ELR FOOTPLATE KIT 18-20" LNG	
1,3,4,8	101562	ELR FOOTPLATE HDWR KIT	



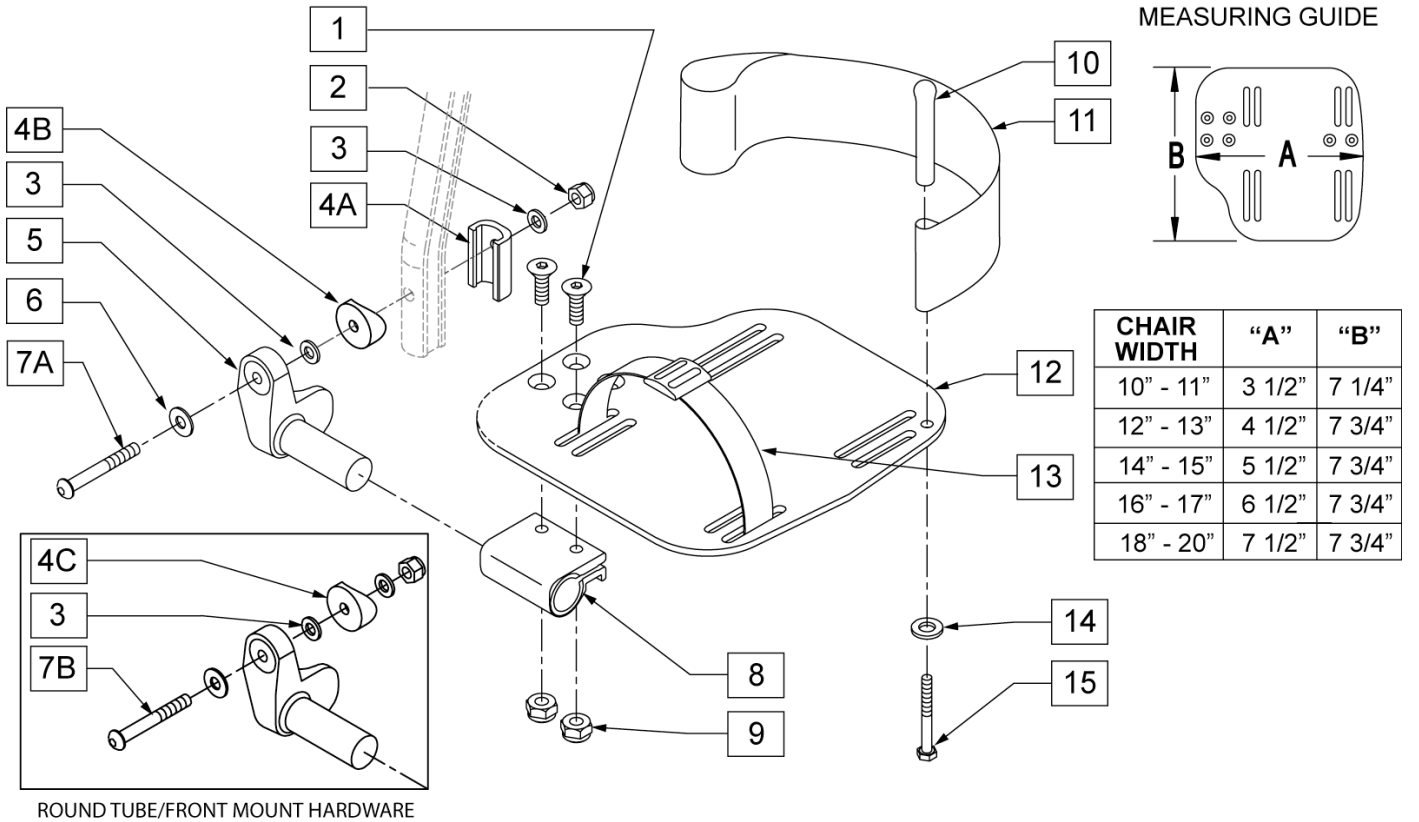
Pos.	Item Number	Description	Remarks
1	360010	FOOT BOARD SKID TAPE	
2	506200	PLATFORM FOOTREST 14 WIDE	
2	506201	PLATFORM FOOTREST 15 WIDE	
2	506202	PLATFORM FOOTREST 16 WIDE	
2	506203	PLATFORM FOOTREST 17 WIDE	
2	506204	PLTFRM FTRST 18W TAP/14W STRT	
2	506205	PLTFRM FTRST 19W TAP/15W STRT	
2	506206	PLTFRM FTRST 20W TAP/16W STRT	
2	506207	PLTFRM FTRST 22W TAP/18W STRT	
2	506208	PLTFRM FTRST 24W TAP/20W STRT	
3	560019	FOOT BOARD HOLDER R	
3	560020	FOOT BOARD HOLDER L	
4	481283	PIN 8mm x 100mm	
5	210001	M6 NYLOCK NUT THIN	
6	560022	FOOT BOARD SUPPORT	
7	560021	FOOT BOARD SHIM ALIGNMENT	
8	560024	FOOT YOKE	
9	250070	METRIC WASHER	
10	210000	M6 x 55 8.8 BUTTON HD CAP SCRW	
11	349583	6 x 25mm GROOVED PIN	
12	740130	LEG STRAP 10"-14" BLK	
12	740131	LEG STRAP 15"-17" BLK	
12	740132	LEG STRAP 18"-20" BLK	
14	560023	FOOT BOARD BEARING SUPPORT	
15	230030	M6 x 12 SET SCREW CUP POINT	

Pos.	Item Number	Description	Remarks
16	262100-QU	1/4 AN WASHER FLAT	
17	230032	M6 x 16 B/H CAP SCREW	
1-7,9,10	900190	SLD 1-PC FOOTREST 14 WIDE	
1-7,9,10	900191	SLD 1-PC FOOTREST 15 WIDE	
1-7,9,10	900192	SLD 1-PC FOOTREST 16 WIDE	
1-7,9,10	900193	SLD 1-PC FOOTREST 17 WIDE	
1-7,9,10	900194	SLD 1-PC FTRST 18W TAP/14W ST	
1-7,9,10	900195	SLD 1-PC FTRST 19W TAP/15W ST	
1-7,9,10	900196	SLD 1-PC FTRST 20W TAP/16W ST	
1-7,9,10	900197	SLD 1-PC FTRST 22W TAP/18W ST	
1-7,9,10	900198	SLD 1-PC FTRST 24W TAP/20W ST	
1-7,9,10	900209	SLD 1-PC FTRST 19W STRT	
1-7,9,10	900210	SLD 1-PC FTRST 24INW STRT	
1-7,9,10	900211	SLD 1-PC FTRST 17W STRT	
1-7,9,10	900212	SLD 1-PC FTRST 22INW STRT	
8,11,13A	014054	EXT TBE 1PC LCKNG FT SHT ASSM	PAIR
8,11,13B	014055	EXT TBE 1PC LCKNG FT MED ASSM	PAIR
8,11,13C	014056	EXT TBE 1PC LCKNG FT LNG ASSM	PAIR



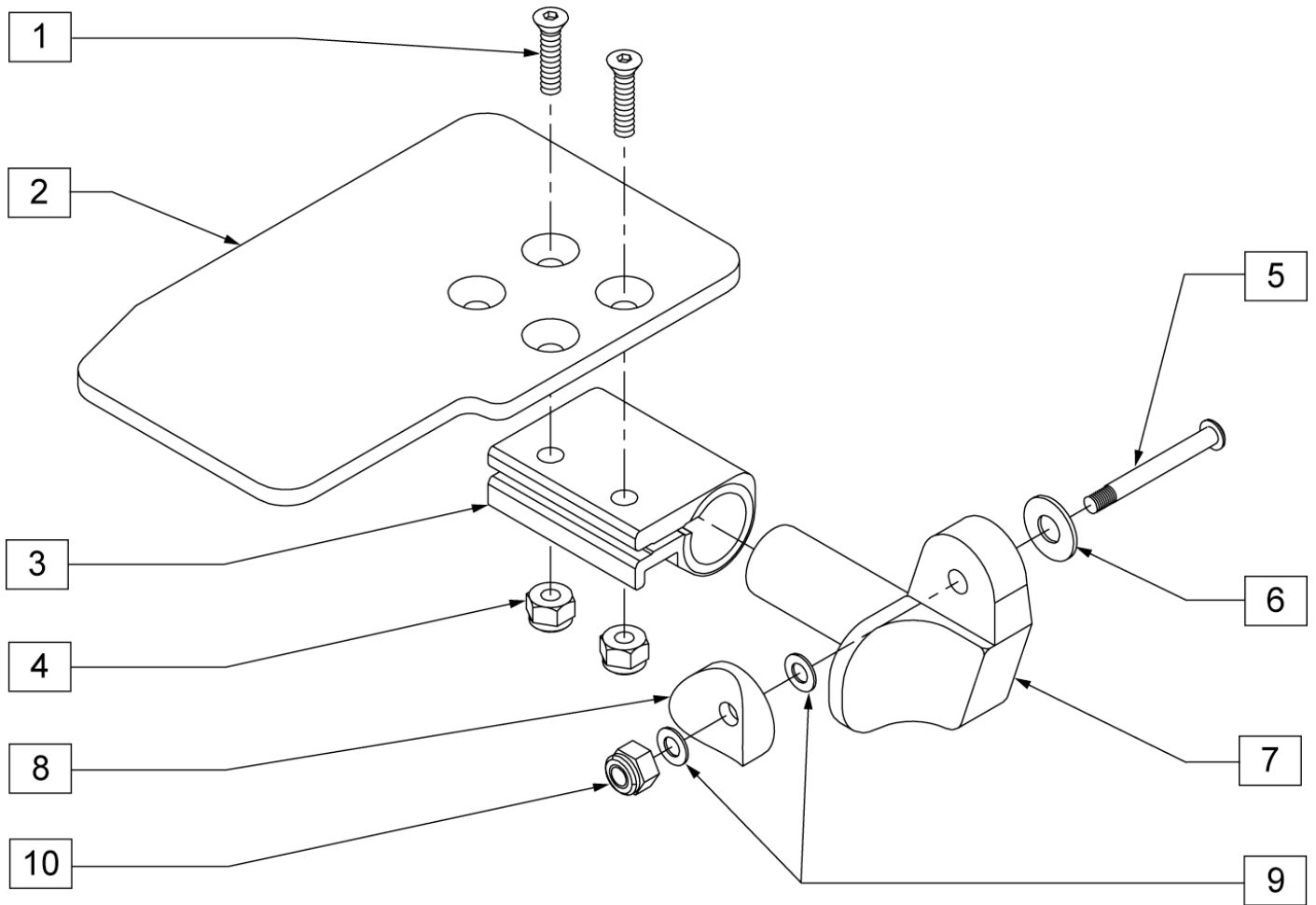
Pos.	Item Number	Description	Remarks
1	226099	1/4-28 x 7/8 FH C/S	
2	201120	1/4-28 AUTOMATION NUT	
3	262110-QU	1/4" AN WASHER FLAT THIN	
4	561004	1" SADDLE 1/4" HOLE	
5	541000	FOOTREST MOUNTING BRKT-1" RAD	RIGHT
5	541001	FOOTREST MOUNTING BRKT-1" RAD	LEFT
6	262120	1/4" SAE WASHER	
7	226167	1/4-28 x 1.625 BH C/S BLK	
8	550350	3/4" CLAMP ADJ FOOTPLATE	
9	201100-QU	1/4-28 NYLOCK NUT THIN	
10	561040	HEEL LOOP PEG	
10	741153	HEEL LOOP 18-20 CMPST/14-15 ANG ADJ	
11	741253	HEEL LOOP ADLT ADJ F/PLT 18-20	
12	500656	ADULT ANGL ADJ F/PLT 10/11	RIGHT
12	500657	ADULT ANGL ADJ F/PLT 10/11	LEFT
12	500658	ADULT ANGL ADJ F/PLT 12/13	RIGHT
12	500659	ADULT ANGL ADJ F/PLT 12/13	LEFT
12	500660	ADULT ANGL ADJ F/PLT 14/15	RIGHT
12	500661	ADULT ANGL ADJ F/PLT 14/15	LEFT
12	500662	ADULT ANGL ADJ F/PLT 16/17	RIGHT
12	500663	ADULT ANGL ADJ F/PLT 16/17	LEFT
12	500664	ADULT ANGL ADJ F/PLT 18-20	RIGHT
12	500665	ADULT ANGL ADJ F/PLT 18-20	LEFT
13	740260	TOE-ANKLE STRAP ADJ ADULT FOOTPLATE	
14	262110-QU	1/4 AN WASHER FLAT THIN	
15	221110	1/4-20 x 1 HEX C/S	

Pos.	Item Number	Description	Remarks
1-9,12	820472	FP ADLT ADJ 90D 14/15	RIGHT
1-9,12	820473	FP ADLT ADJ 90D 14/15	LEFT
1-9,12	820474	FP ADLT ADJ 90D 16/17	RIGHT
1-9,12	820475	FP ADLT ADJ 90D 16/17	LEFT
1-9,12	820476	FP ADLT ADJ 90D 18-20	RIGHT
1-9,12	820477	FP ADLT ADJ 90D 18-20	LEFT
1-9,12	820544	FP ADLT ADJ 90D 10/11	RIGHT
1-9,12	820546	FP ADLT ADJ 90D 12/13	LEFT
1-9,12	820554	FP ADLT ADJ 90D 10/11	RIGHT
1-9,12	820556	FP ADLT ADJ 90D 12/13	LEFT
1-9,12	921330	FP ADLT ADJ 90D 14/15	PAIR
1-9,12	921331	FP ADLT ADJ 90D 16/17	PAIR
1-9,12	921332	FP ADLT ADJ 90D 18-20	PAIR
1-9,12	921464	ADULT ANGL ADJ F/PLT 10 OMT H/L	PAIR
1-9,12	921466	ADULT ANGL ADJ F/PLT 12 OMT H/L	PAIR
1-9,12	921474	ADULT ANGL ADJ 90D 10 OMIT H/L	PAIR
1-9,12	921476	ADULT ANGL ADJ 90D 12 OMIT H/L	PAIR
1-12, 14,15	820478	F/PLT ADULT ADJ 90D 14/15 HL	RIGHT
1-12, 14,15	820479	F/PLT ADULT ADJ 90D 14/15 HL	LEFT
1-12, 14,15	820480	F/PLT ADULT ADJ 90D 16/17 HL	RIGHT
1-12, 14,15	820481	F/PLT ADLT ADJ 90D 16/17 HL	LEFT
1-12, 14,15	820482	F/PLT ADLT ADJ 90D 18-20 HL	RIGHT
1-12, 14,15	820483	F/PLT ADLT ADJ 90D 18-20 HL	LEFT
1-12, 14,15	820520	ADULT ANGL ADJ F/PLT 10/11H/L	RIGHT
1-12, 14,15	820522	ADULT ANGL ADJ F/PLT 12/13 H/L	RIGHT
1-12, 14,15	921333	F/PLT ADULT ADJ 90D 14/15 HL	PAIR
1-12, 14,15	921334	F/PLT ADULT ADJ 90D 16/17 HL	PAIR
1-12, 14,15	921335	F/PLT ADULT ADJ 90D 18-20 HL	PAIR
1-12, 14,15	921460	ADULT ANGL ADJ F/PLATE 10 H/L	PAIR
1-12, 14,15	921462	ADULT ANGL ADJ F/PLATE 12 H/L	PAIR
1-12, 14,15	921470	ADULT ANGL ADJ 90D F/PLT 10 H/L	PAIR
1-12, 14,15	921472	ADULT ANGL ADJ 90D F/PLT 12 H/L	PAIR
1-12, 14,15	921472	ADULT ANGL ADJ 90D F/PLT 12 H/L	PAIR



Pos.	Item Number	Description	Remarks
1	226099	1/4-28 x 7/8 FH C/S	
2	201120	1/4-28 AUTOMATION NUT	
3	262110-QU	1/4 AN WASHER FLAT THIN	
4A	483720	HANGER EXTENSION SADDLE LONG	
4C	561004	1" SADDLE 1/4" HOLE	
4B	561055	3/4" SADDLE 1" OD	
5	541002	FTRST MOUNTING BRKT-3/8 RAD R	RIGHT
5	541003	FTRST MOUNTING BRKT-3/8 RAD L	LEFT
6	262120	1/4 SAE WASHER	
7A	227140	1/4-28 x 1 3/4 BH C/S BLK ZN	D2 EXTENSION TUBES
7B	226167	1/4-28 x 1.625 BH C/S BLK	ROUND EXTENSION TUBES
8	550350	3/4" CLMP ADJ FT PLT	
9	201100-QU	1/4-28 NYLOCK NUT THIN	
10	561040	HEEL LOOP PEG	
11	741153	H/L 18-20 CMPST/14-15 ANG ADJ	
11	741253	HEEL LOOP ADLT ADJ F/PLT 18-20	
12	500660	ADLT ANGL ADJ F/PLT 14/15	RIGHT
12	500661	ADLT ANGL ADJ F/PLT 14/15	LEFT
12	500662	ADLT ANGL ADJ F/PLT 16/17	RIGHT
12	500663	ADLT ANGL ADJ F/PLT 16/17	LEFT
12	500664	ADLT ANGL ADJ F/PLT 18-20	RIGHT
12	500665	ADLT ANGL ADJ F/PLT 18-20	LEFT
13	740260	TOE/ANKLE STRAP ADJ ADLT F/PLT	
14	262110-QU	1/4 AN WASHER FLAT THIN	

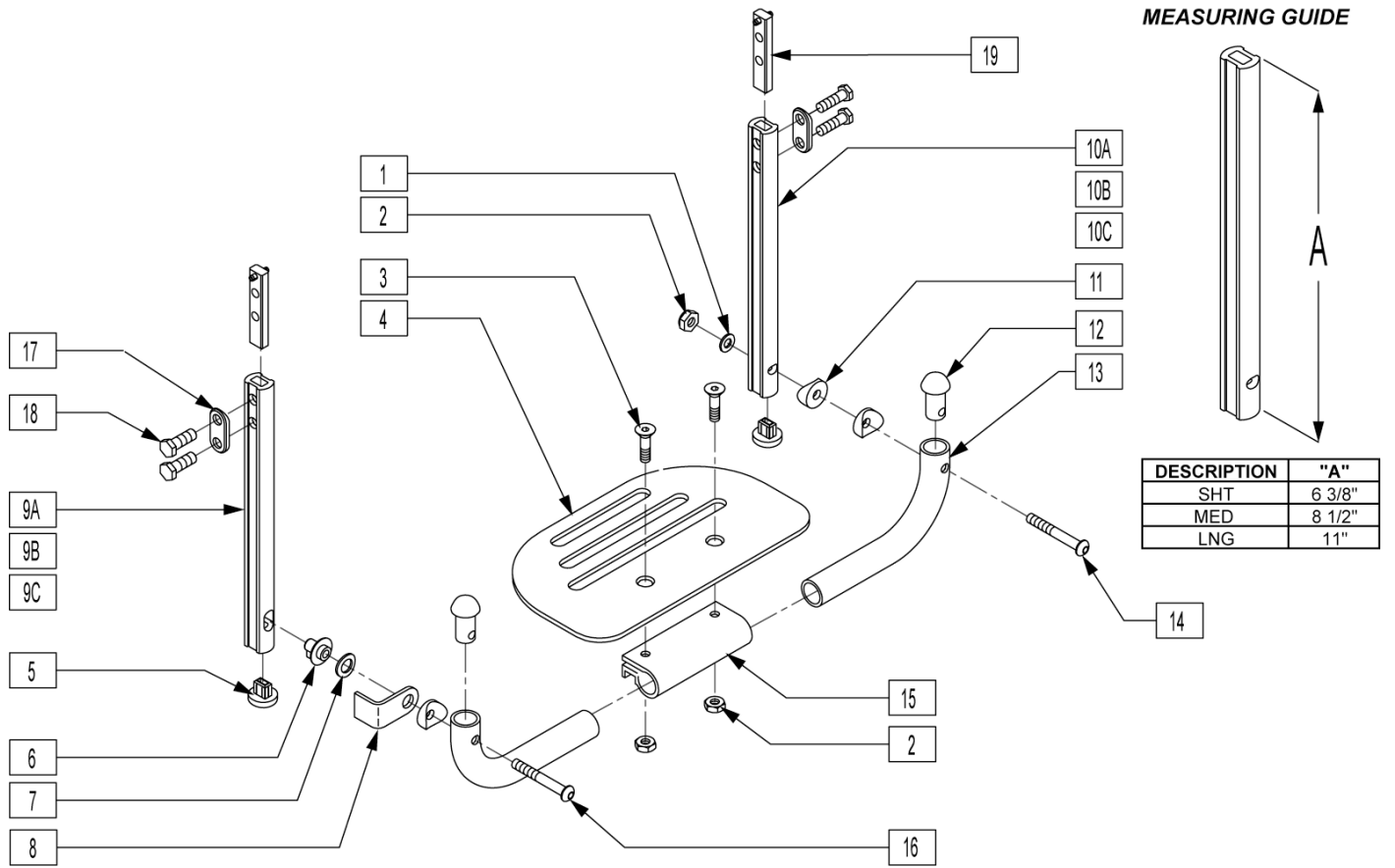
Pos.	Item Number	Description	Remarks
15	221110	1/4-20 x 1 HEX C/S	
16	262120	1/4" SAE WASHER	
1-3,5,6,8,9,12	820460	FP ADLT ADJ 14/15	RIGHT
1-3,5,6,8,9,12	820462	FP ADLT ADJ 14/15	LEFT
1-3,5,6,8,9,12	820464	FP ADLT ADJ 16/17	RIGHT
1-3,5,6,8,9,12	820466	FP ADLT ADJ 16/17	LEFT
1-3,5,6,8,9,12	820468	FP ADLT ADJ 18-20	RIGHT
1-3,5,6,8,9,12	820470	FP ADLT ADJ 18-20	LEFT
1-3,5,6,8,9,12	921320	FP ADLT ADJ 14/15	
1-3,5,6,8,9,12	921322	FP ADLT ADJ 16/17	
1-3,5,6,8,9,12	921324	FP ADLT ADJ 18-20	
1-3,5,6,8-12,14,15	820461	FP ADLT ADJ 14/15 HL	RIGHT
1-3,5,6,8-12,14,15	820463	FP ADLT ADJ 14/15 HL	LEFT
1-3,5,6,8-12,14,15	820465	FP ADLT ADJ 16/17 HL	RIGHT
1-3,5,6,8-12,14,15	820467	FP ADLT ADJ 16/17 HL	LEFT
1-3,5,6,8-12,14,15	820469	FP ADLT ADJ 18-20 HL	RIGHT
1-3,5,6,8-12,14,15	820471	FP ADLT ADJ 18-20 HL	LEFT
1-3,5,6,8-12,14,15	921321	FP ADLT ADJ 14/15 HL	
1-3,5,6,8-12,14,15	921323	FP ADLT ADJ 16/17 HL	
1-3,5,6,8-12,14,15	921325	FP ADLT ADJ 18-20 HL	
1-3B,6,7A,9,14-16	101533	ADLT ANG ADJ FP D2 HDWR KIT	
1-3B,6,7B,9,14-16	101534	ADLT ANG ADJ FP RND HDWR KIT	



RH SHOWN
LH TYPICAL

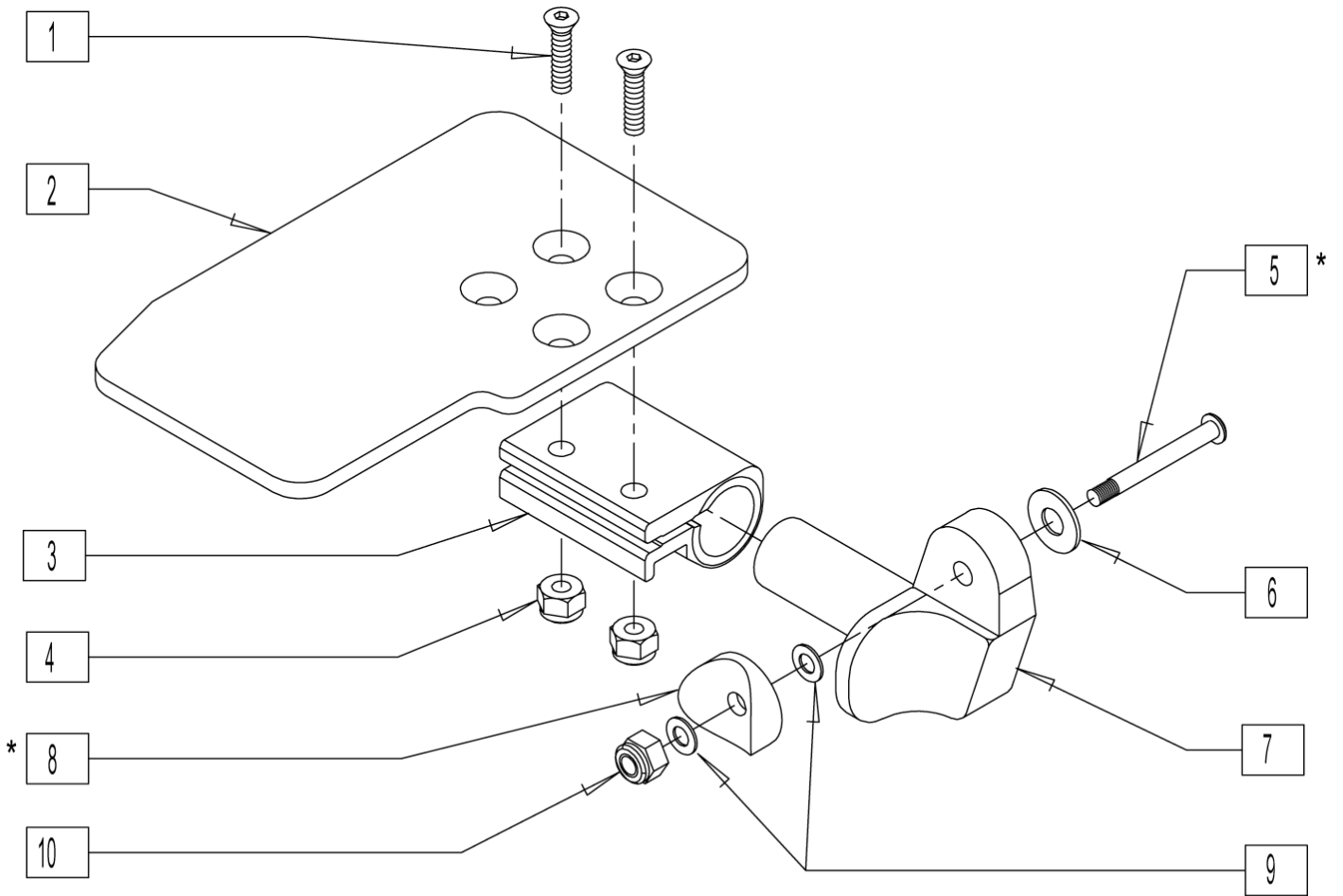
Pos.	Item Number	Description	Remarks	Pos.	Item Number	Description	Remarks
1	226099	1/4-28 x 7/8 FH C/S		7	541000	FOOTREST MOUNTING BRKT-1" RAD	RIGHT
2	500635	KIDS ANGL ADJ F/PLT 10	RIGHT	7	541001	FOOTREST MOUNTING BRKT-1" RAD	LEFT
2	500636	KIDS ANGL ADJ F/PLT 10	LEFT	8	561004	1" SADDLE 1/4" HOLE	
2	500637	KIDS ANGL ADJ F/PLT 11	RIGHT	9	262110-QU	1/4" AN WASHER FLAT THIN	
2	500638	KIDS ANGL ADJ F/PLT 11	LEFT	10	201110-QU	1/4-28 NYLOCK NUT	
2	500639	KIDS ANGL ADJ F/PLT 12	RIGHT	1-10	828821	KIDS ANG ADJ F/PLT ASSM 10	RIGHT
2	500640	KIDS ANGL ADJ F/PLT 12	LEFT	1-10	828822	KIDS ANG ADJ F/PLT ASSM 10	LEFT
2	500641	KIDS ANGL ADJ F/PLT 13	RIGHT	1-10	828823	KIDS ANG ADJ F/PLT ASSM 11	RIGHT
2	500642	KIDS ANGL ADJ F/PLT 13	LEFT	1-10	828824	KIDS ANG ADJ F/PLT ASSM 11	LEFT
2	500643	KIDS ANGL ADJ F/PLT 14	RIGHT	1-10	828825	KIDS ANG ADJ F/PLT ASSM 12	RIGHT
2	500644	KIDS ANGL ADJ F/PLT 14	LEFT	1-10	828826	KIDS ANG ADJ F/PLT ASSM 12	LEFT
2	500645	KIDS ANGL ADJ F/PLT 15	RIGHT	1-10	828827	KIDS ANG ADJ F/PLT ASSM 13	RIGHT
2	500646	KIDS ANGL ADJ F/PLT 15	LEFT	1-10	828828	KIDS ANG ADJ F/PLT ASSM 13	LEFT
2	500647	KIDS ANGL ADJ F/PLT 16	RIGHT	1-10	828829	KIDS ANG ADJ F/PLT ASSM 14	RIGHT
2	500648	KIDS ANGL ADJ F/PLT 16	LEFT	1-10	828830	KIDS ANG ADJ F/PLT ASSM 14	LEFT
3	550350	3/4" CLAMP ADJ FOOTPLATE		1-10	828831	KIDS ANG ADJ F/PLT ASSM 15	RIGHT
4	201100-QU	1/4-28 NYLOCK NUT THIN		1-10	828832	KIDS ANG ADJ F/PLT ASSM 15	LEFT
5	226150	1/4-28 x 2 BH C/S		1-10	828833	KIDS ANG ADJ F/PLT ASSM 16	RIGHT
6	262120	1/4" SAE WASHER		1-10	828834	KIDS ANG ADJ F/PLT ASSM 16	LEFT

Pos.	Item Number	Description	Remarks	Pos.	Item Number	Description	Remarks
1-10	921226	KIDS ANG ADJ F/PLT ASSM 10	PAIR	1-10	921230	KIDS ANG ADJ F/PLT ASSM 14	PAIR
1-10	921227	KIDS ANG ADJ F/PLT ASSM 11	PAIR	1-10	921231	KIDS ANG ADJ F/PLT ASSM 15	PAIR
1-10	921228	KIDS ANG ADJ F/PLT ASSM 12	PAIR	1-10	921232	KIDS ANG ADJ F/PLT ASSM 16	PAIR
1-10	921229	KIDS ANG ADJ F/PLT ASSM 13	PAIR				



Pos.	Item Number	Description	Remarks
1	262110-QU	1/4 AN WASHER FLAT THIN	
2	201120	1/4-28 AUTOMATION NUT	
3	226099	1/4-28 x 7/8 FH C/S	
4	650	PLTFORM F/PLT 6"X 5 1/2"	
4	500651	PLTFORM F/PLT 8 X 5 1/2"	
4	500652	PLTFORM F/PLT 10"X 5 1/2"	
4	500653	PLATFORM F/PLT 12"X 5 1/2"	
4	500654	PLTFORM F/PLT 14 X 5 1/2"	
5	560752	PLUG FOOTREST EXT TUBE Q2 ROUND	
6	540410	F/UP FOOTREST KEY STUD D2	
7	262137	3/8 WASHER CURVED	
8	505078	FOOTREST RETAINING BRACKET	
9C	550830	EXT TBE F/UP KEY ONLY LNG	
9A	550828	EXT TBE F/UP KEY ONLY SHT	
9B	550829	EXT TBE F/UP KEY ONLY MED	
10C	550827	EXT TBE F/UP SLT ONLY LNG	
10A	550825	EXT TBE F/UP SLT ONLY SHT	
10B	550826	EXT TBE F/UP SLT ONLY MED	
11	561003	3/4" SADDLE THIN	
12	561034	SHORT DOME PLUG	
13	522150	PLTFRM F/UP F/PLT TB 20IN BLA	
13	522151	PLTFRM F/UP F/PLT TB 11IN	
13	522152	PLTFRM F/UP F/PLT TB 12IN	
13	522153	PLTFRM F/UP F/PLT TB 13IN	
13	522154	PLTFRM F/UP F/PLT TB 14IN	

Pos.	Item Number	Description	Remarks
13	522155	PLTFRM F/UP F/PLT TB 15IN	
13	522156	PLTFRM F/UP F/PLT TB 16IN	
13	522157	PLTFRM F/UP F/PLT TB 17IN	
13	522158	PLTFRM F/UP F/PLT TB 18IN	
13	522159	PLTFRM F/UP F/PLT TB 19IN	
13	522160	PLTFRM F/UP F/PLT TB 10	
13	522161	PLTFRM F/UP F/PLT TUBE 21IN B	
13	522162	PLTFRM F/UP F/PLT TUBE 22IN B	
14	226150	1/4-28 x 2 BH C/S	
15	550351	PLATFORM FOOTPLATE CLAMP	
16	226131	1/4-28 x 1 1/4 BH C/S SHLDR	
17	483717	HANGER SADDLE	
18	221102	1/4-28 x 3/4 HEX C/S	
19	500078	INSERT D2 EXT TUBE	
5,10A, 17-19	921742	EXT TBE F/UP SLT SHT ASSM PCKT	
5,10B, 17-19	921743	EXT TBE F/UP SLT MED ASSM PCKT	
5,10C, 17-19	921744	EXT TBE F/UP SLT LNG ASSM PCKT	
5,9A, 17-19	921745	EXT TBE F/UP KEY SHT ASSM PCKT	
5,9B, 17-19	921746	EXT TBE F/UP KEY MED ASSM PCKT	
5,9C, 17-19	921747	EXT TBE F/UP KEY LNG ASSM PCKT	
5,9A,10A, 17-19	921269	S/A EXT TUBE D2 SHT PLTFRM BLK	
5,9B,10B, 17-19	921267	S/A EXT TUBE D2 MED PLTFRM BLK	
5,9C,10C, 17-19	921268	S/A EXT TUBE D2 LNG PLTFRM BLK	
1-4,6-8, 11-16	900137	"PLTFM F/P F/PLT BLK 10"ASSM D2	
1-4,6-8, 11-16	900138	"PLTFM F/P F/PLT BLK 11"ASSM D2	
1-4,6-8, 11-16	900139	"PLTFM F/P F/PLT BLK 12"ASSM D2	
1-4,6-8, 11-16	900140	PLTFM F/P F/PLT BLK 13ASSM D2	
1-4,6-8, 11-16	900141	PLTFM F/P F/PLT BLK 14ASSM D2	
1-4,6-8, 11-16	900142	PLTFM F/P F/PLT BLK 15ASSM D2	
1-4,6-8, 11-16	900143	PLTFM F/P F/PLT BLK 16ASSM D2	
1-4,6-8, 11-16	900144	PLTFM F/P F/PLT BLK 17ASSM D2	
1-4,6-8, 11-16	900145	PLTFM F/P F/PLT BLK 18"ASSM D2	
1-4,6-8, 11-16	900146	PLTFM F/P F/PLT BLK 19"ASM D2	
1-4,6-8, 11-16	900147	PLTFM F/P F/PLT BLK 20"ASM D2	
1-4,6-8, 11-16	900148	PLTFM F/P F/PLT BLK 21"ASM D2	
1-4,6-8, 11-16	900149	PLTFM F/P F/PLT BLK 22"ASM D2	



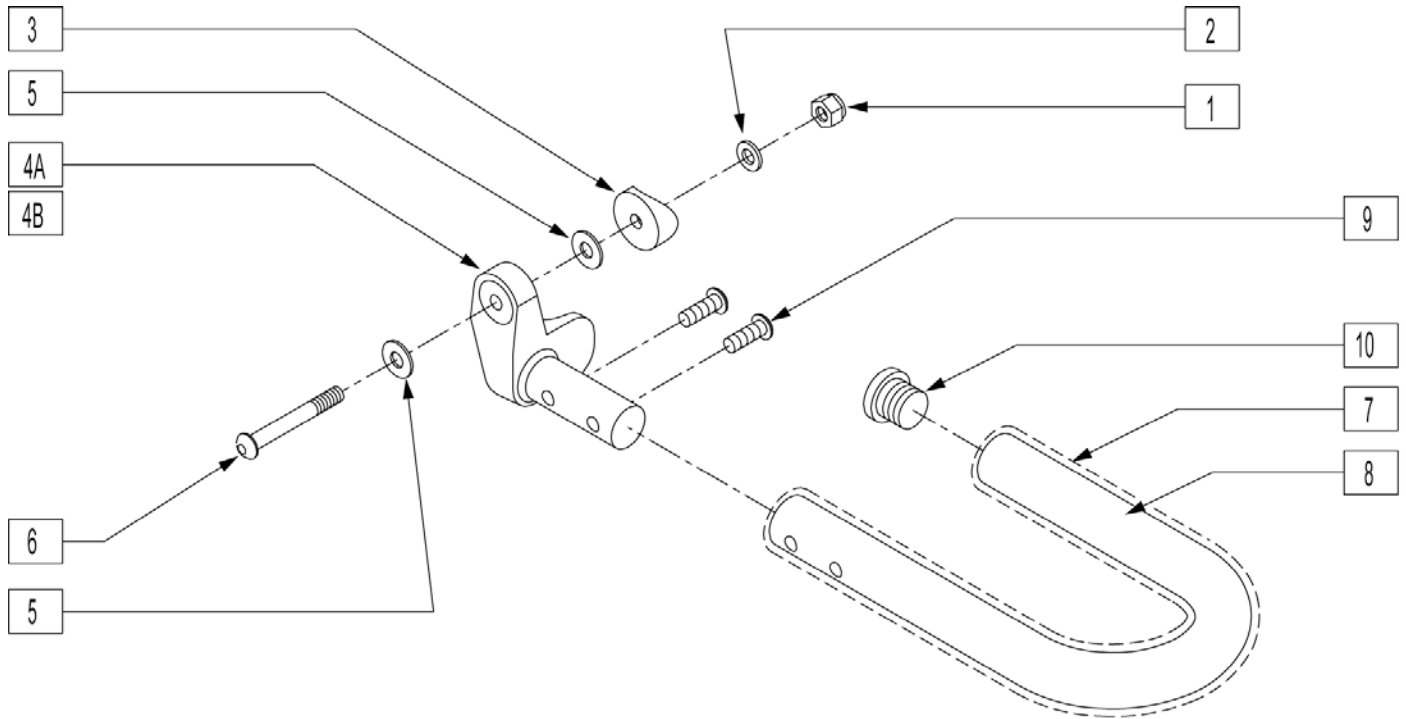
NOTE: ITEMS 5 AND 8 NOT INCLUDED WITH FOOTPLATE ASSEMBLY;
 ITEMS 5 AND 8 INCLUDED WITH EXTENSION TUBE ASSEMBLY.

Pos.	Item Number	Description	Remarks
1	226099	1/4-28 x 7/8 FH C/S	
2	500635	"KIDS ANGL ADJ F/PLT 10"" R"	
2	500636	"KIDS ANGL ADJ F/PLT 10"" L"	
2	500637	"KIDS ANGL ADJ F/PLT 11"" R"	
2	500638	"KIDS ANGL ADJ F/PLT 11"" L"	
2	500639	"KIDS ANGL ADJ F/PLT 12"" R"	
2	500640	"KIDS ANGL ADJ F/PLT 12"" L"	
2	500641	"KIDS ANGL ADJ F/PLT 13"" R"	
2	500642	"KIDS ANGL ADJ F/PLT 13"" L"	
2	500643	"KIDS ANGL ADJ F/PLT 14"" R"	
2	500644	"KIDS ANGL ADJ F/PLT 14"" L"	
2	500645	"KIDS ANGL ADJ F/PLT 15"" R"	
2	500646	"KIDS ANGL ADJ F/PLT 15"" L"	
2	500647	"KIDS ANGL ADJ F/PLT 16"" R"	
2	500648	"KIDS ANGL ADJ F/PLT 16"" L"	
3	550350	3/4" CLAMP ADJ FOOTPLATE	
4	201100-QU	1/4-28 NYLOCK NUT THIN	
5	227140	1/4-28 x 1 3/4 BH C/S BLK ZN (D2 EXTENSION TUBES)	
5	226167	1/4-28 x 1.625 BH C/S BLK (ROUND EXTENSION TUBES)	

Pos.	Item Number	Description	Remarks
6	262120	1/4 SAE WASHER	
7	541002	FTRST MOUNTING BRKT-3/8 RAD R	
7	541003	FTRST MOUNTING BRKT-3/8 RAD L	
8	561055	3/4" SADDLE 1" OD	
9	262110-QU	1/4 AN WASHER FLAT THIN	
10	201120	1/4-28 AUTOMATION NUT	
1-7,9,10	828850	"KDS ANG ADJ F/PLT EXT-MNT 10""R"	
1-7,9,10	828851	"KDS ANG ADJ F/PLT EXT-MNT 10""L"	
1-7,9,10	828852	"KDS ANG ADJ F/PLT EXT-MNT 11""R"	
1-7,9,10	828853	"KDS ANG ADJ F/PLT EXT-MNT 11""L"	
1-7,9,10	828854	"KDS ANG ADJ F/PLT EXT-MNT 12""R"	
1-7,9,10	828855	"KDS ANG ADJ F/PLT EXT-MNT 12""L"	
1-7,9,10	828856	"KDS ANG ADJ F/PLT EXT-MNT 13""R"	
1-7,9,10	828857	"KDS ANG ADJ F/PLT EXT-MNT 13""L"	
1-7,9,10	828858	"KDS ANG ADJ F/PLT EXT-MNT 14""R"	
1-7,9,10	828859	"KDS ANG ADJ F/PLT EXT-MNT 14""L"	
1-7,9,10	828860	"KDS ANG ADJ F/PLT EXT-MNT 15""R"	
1-7,9,10	828861	"KDS ANG ADJ F/PLT EXT-MNT 15""L"	
1-7,9,10	828862	"KDS ANG ADJ F/PLT EXT-MNT 16""R"	
1-7,9,10	828863	"KDS ANG ADJ F/PLT EXT-MNT 16""L"	
1-7,9,10	921280	"KIDS ANG ADJ F/PLT EXT-MNT 10"""	
1-7,9,10	921281	"KIDS ANG ADJ F/PLT EXT-MNT 11"""	
1-7,9,10	921282	"KIDS ANG ADJ F/PLT EXT-MNT 12"""	
1-7,9,10	921283	"KIDS ANG ADJ F/PLT EXT-MNT 13"""	
1-7,9,10	921284	"KIDS ANG ADJ F/PLT EXT-MNT 14"""	
1-7,9,10	921285	"KIDS ANG ADJ F/PLT EXT-MNT 15"""	
1-7,9,10	921286	"KIDS ANG ADJ F/PLT EXT-MNT 16"""	

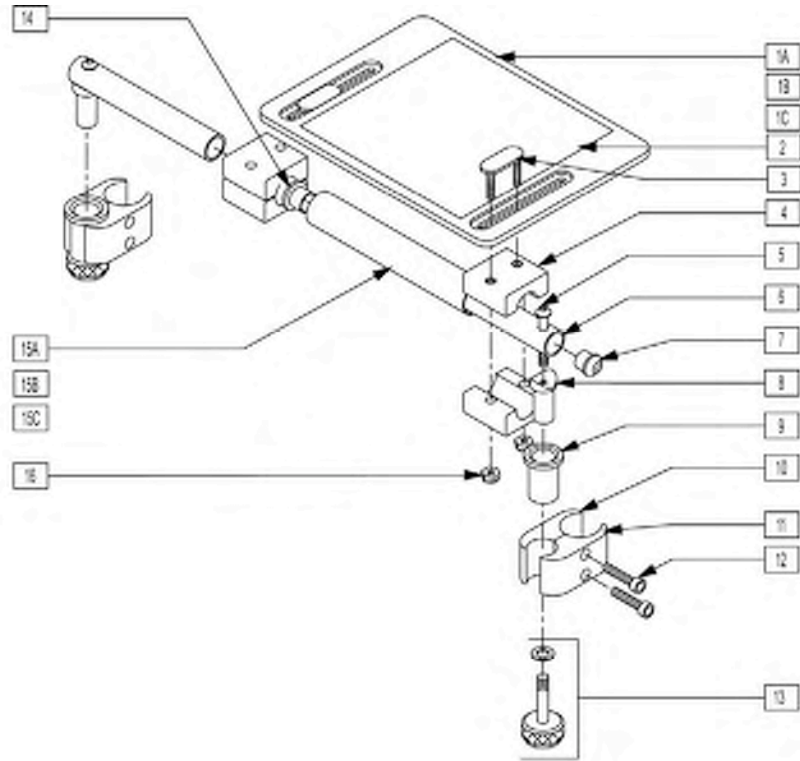
FOAM FOOTPLATE

[07/2007]

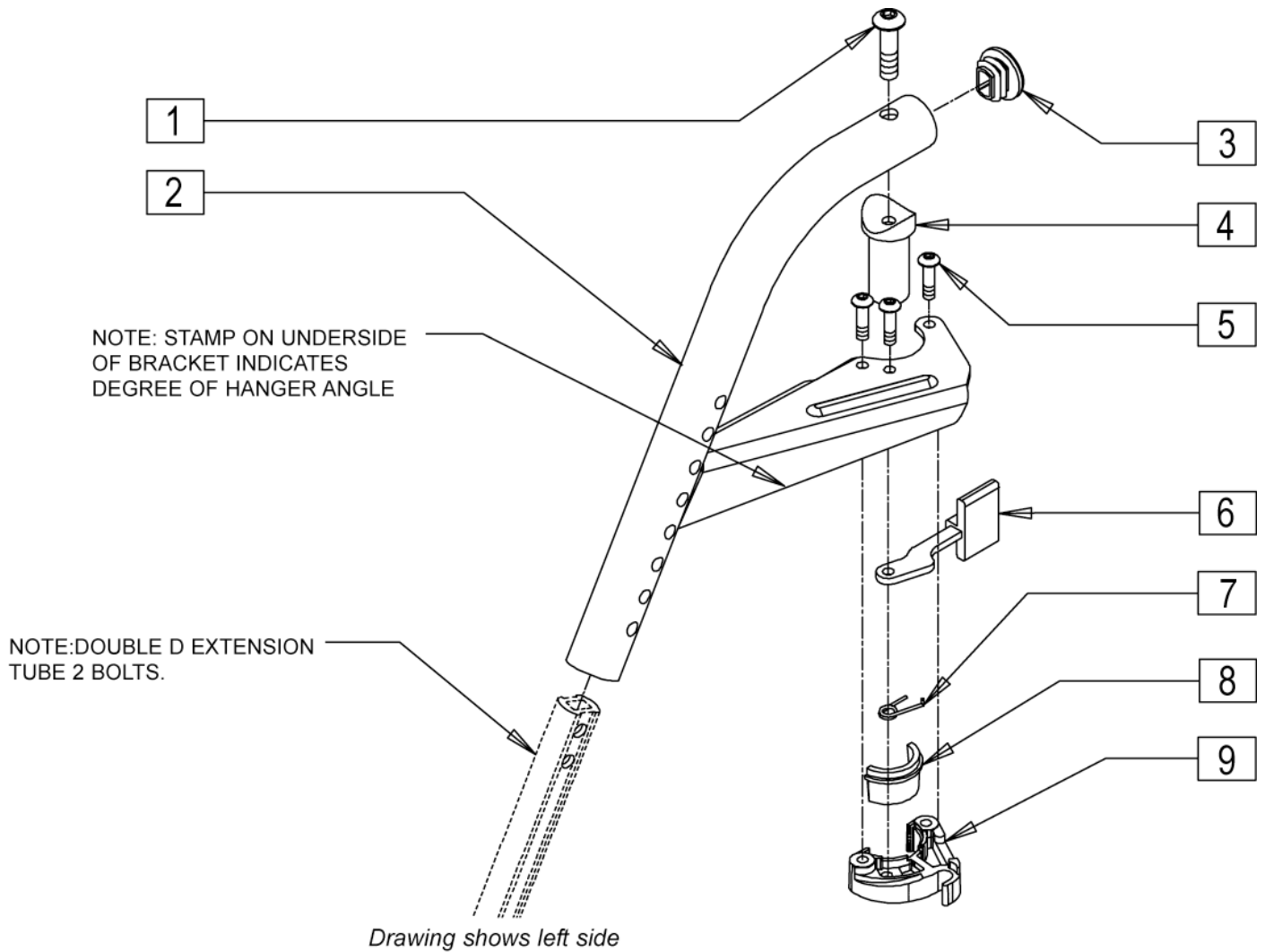


Pos.	Item Number	Description	Remarks
1	201120	1/4-28 AUTOMATION NUT	
2	262110-QU	1/4 AN WASHER FLAT THIN	
3	561055	3/4" SADDLE 1" OD	USED PRIOR TO 8/13/01
5	262120	1/4" SAE WASHER	1 WASHER PRIOR TO 8/13/01
6	227140	1/4-28 x 1 3/4 BH C/S BLK ZN	226167 USED PRIOR TO 8/13/01
9	226168	1/4-28 x .875 BH C/S	
1,2,4,5, 7-10	820420	FT REST LOOP 11 RIGHT	
1,2,4,5, 7-10	820421	FT REST LOOP 11 LEFT	
1,2,4,5, 7-10	820422	FT REST LOOP 12 RIGHT	
1,2,4,5, 7-10	820423	FT REST LOOP 12 LEFT	
1,2,4,5, 7-10	820424	FT REST LOOP 14 RIGHT	
1,2,4,5, 7-10	820425	FT REST LOOP 14 LEFT	
1,2,4,5, 7-10	820426	FT REST LOOP 16 RIGHT	
1,2,4,5, 7-10	820427	FT REST LOOP 16 LEFT	
1,2,4,5, 7-10	820428	FT REST LOOP 18 RIGHT	
1,2,4,5, 7-10	820429	FT REST LOOP 18 LEFT	
1,2,4,5, 7-10	921300	FT REST LOOP 11	PAIR
1,2,4,5, 7-10	921301	FT REST LOOP 12	PAIR
1,2,4,5, 7-10	921302	FT REST LOOP 14	PAIR
1,2,4,5, 7-10	921303	FT REST LOOP 16	PAIR
1,2,4,5, 7-10	921304	FT REST LOOP 18	PAIR

SOLID FOOTBOARD

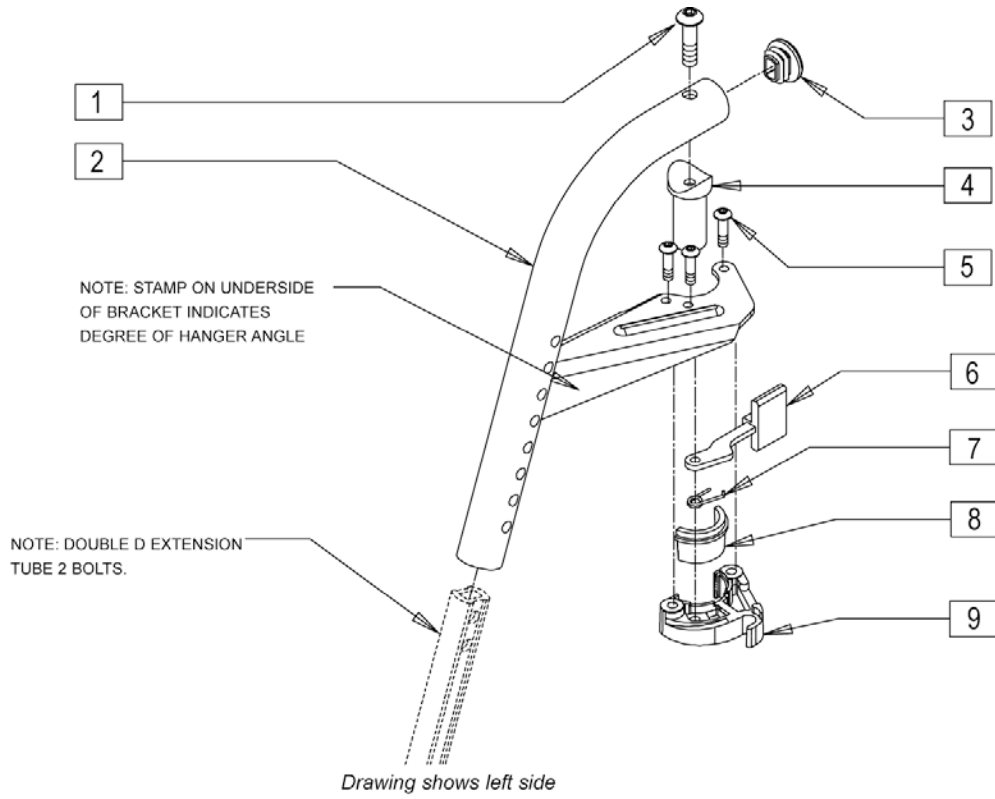


Pos.	Item Number	Description	Remarks
1B	562612	SLD FOOTPLATE ONLY 10" x 8" (13"-14" W)	
1A	562610	SLD FOOTPLATE ONLY 8" x 8" (10"-12" W)	
1C	500709	SLD FT PLT ALUM ONLY 12" x 8" (15"-16" W)	
2	562830	SLD FOOTPLATE TAPE 12" x 8"	
3	330120	SLD FT/ANGLE ADJ DOUBLE T BOLT	
4	550444	SOLID FOOT/ANG ADJ CLAMP BLK	
5	226130	1/4-28 x 1 1/2 BH C/S	
6	521623	SOLID FT PIVOT TUBE BLK	
7	561034	SHORT DOME PLUG	
8	483236	SOLID FOOT INSERT SADDLE BLK	
10	550658	CLAMP 1 1/4" THREADED BLK	
11	550657	CLAMP 1 1/4" RECESS FULL BLK	
12	226112	1/4-28 x 1 SOC C/S BLK	
14	560402	3/4" ID NY-LINER	
15B	521622	SLD FOOT SUPPORT TUBE BLK 13"-14"	
15A	521621	SLD FOOT SUPPORT TUBE BLK 10"-12"	
15C	521624	SLD FOOT SUPPORT TUBE BLK 15"-16"	
16	201105	1/4-20 NYLOCK NUT THIN	
9,13	880559	SOLID FOOT LOCK KNOB ASSEMBLY	
5-8	880183	SLD FT PLT PIVOT TUBE SUB-ASSM	
1A,3-14, 15A,15	921801	SLD FT PLT ASSEMBLY 8" x 8" (10"-12" W)	
1B,3-14, 15B,16	921803	SOLID FOOTPLATE ASSEMBLY 10" x 8" (13"-14" W)	
1C,3-14, 15C,16	921805	SOLID FOOTPLATE ASSEMBLY 12" x 8" (15"-16" W)	

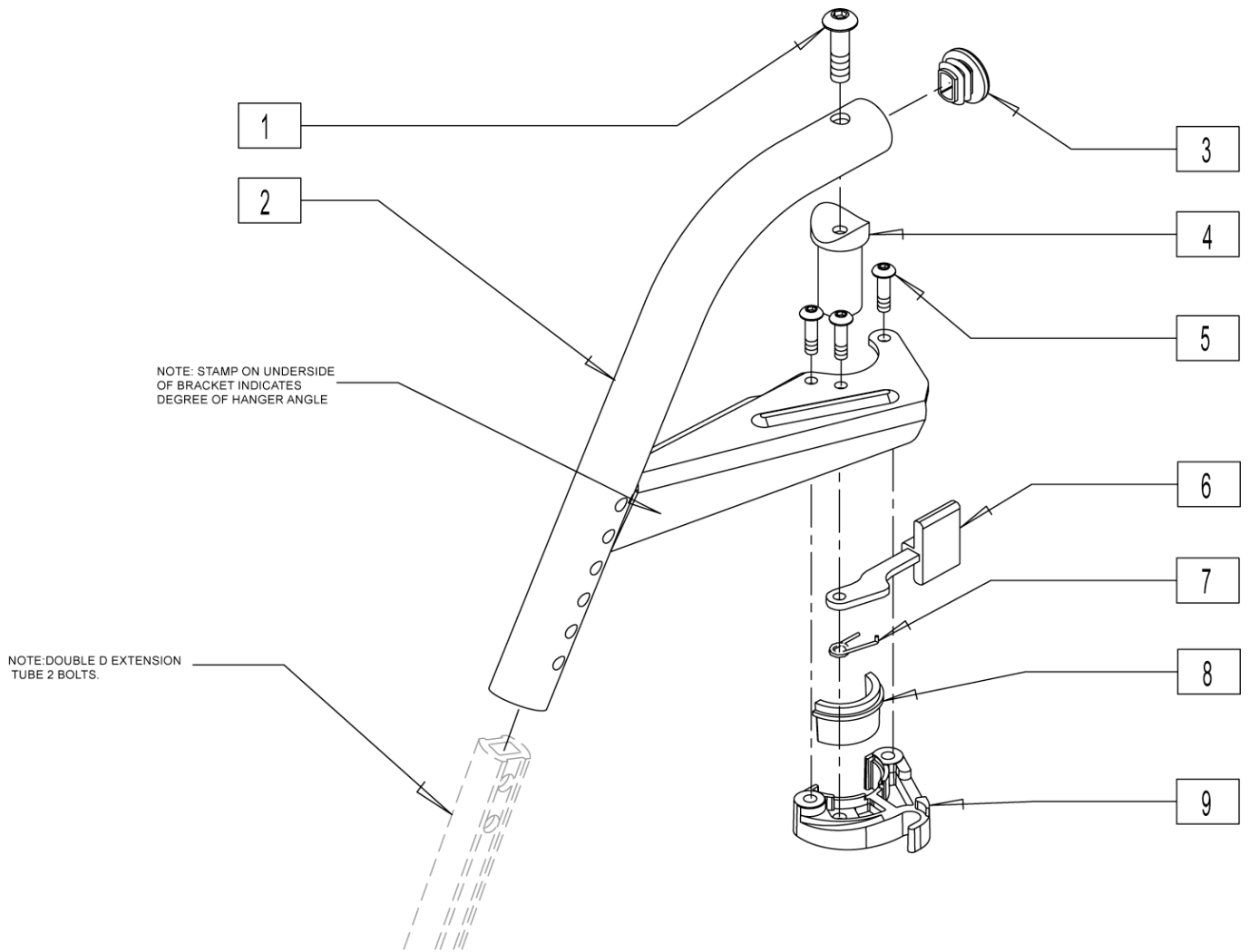


Pos.	Item Number	Description	Remarks
1	226217	5/16-18 x 2" BH C/S BLK	
2	504942	S/A HANGER ONLY R 60D D2	
2	504943	S/A HANGER ONLY L 60D D2	
3	561378	END PLUG DBL "D" S525	
4	561197	PLASTIC PIVOT SADDLE	
5	226057	10-24 x .725 BH SOC BZ	
6	561079	S/A LATCH LEVER	
7	321136	S/A SPRING L RED	
7	321137	S/A SPRING R CLEAR	
8,9	881500	LATCH BLOCK ASSM R	
8,9	881501	LATCH BLOCK ASSM L	
1-9	641550	HANGER 60D R D2 PNT S/A BT	SPECIFY COLOR
1-9	641551	HANGER 60D L D2 PNT S/A BT	SPECIFY COLOR

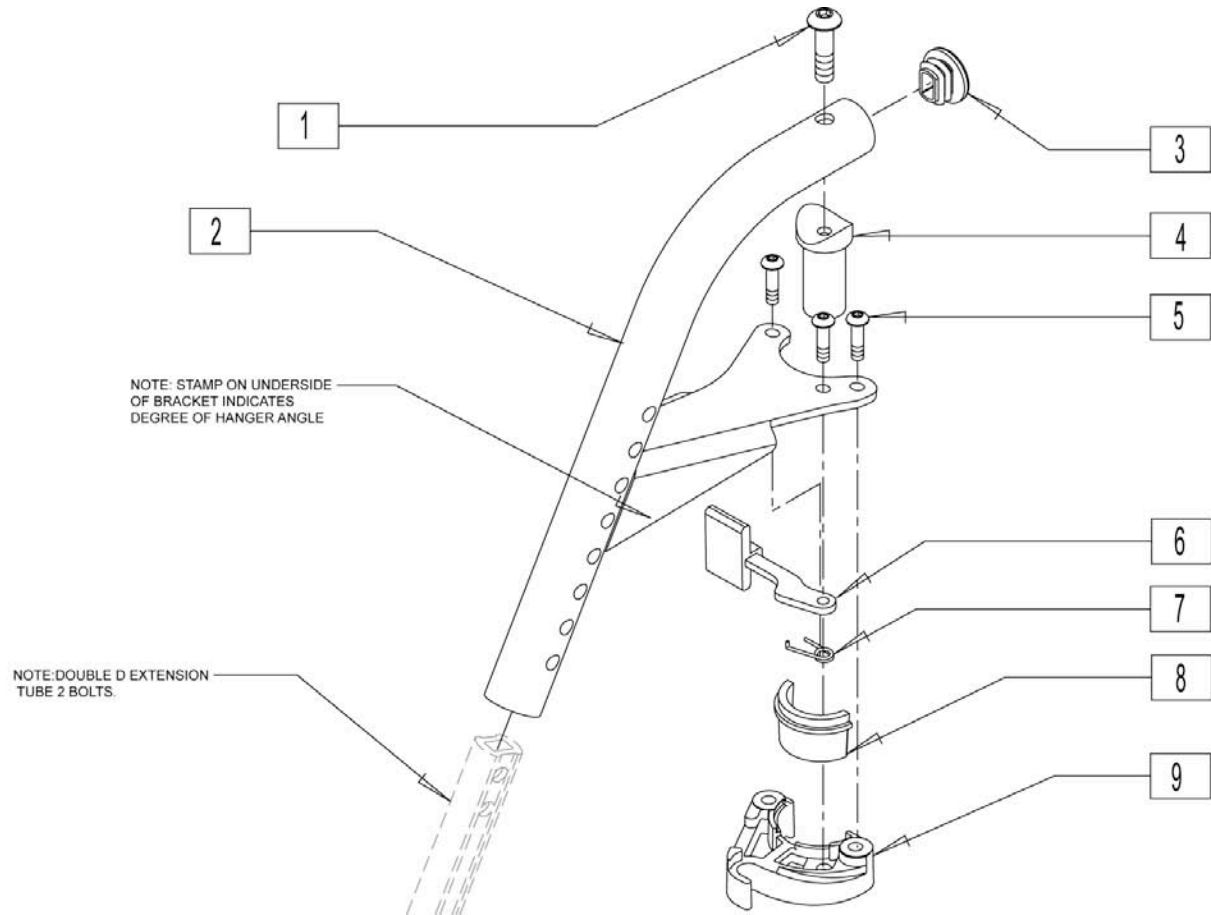
70 DEG SWING-AWAY HANGER



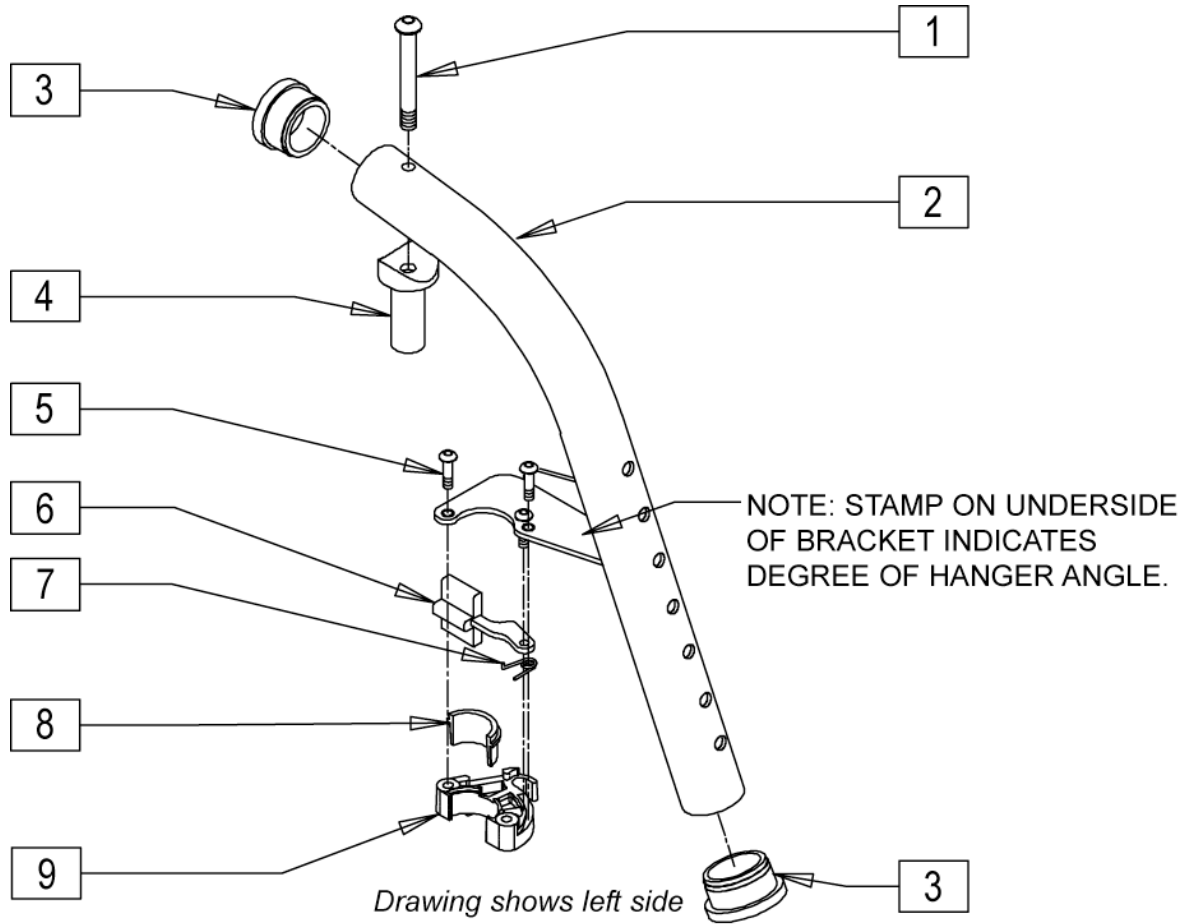
Pos.	Item Number	Description	Remarks
1	226217	"5/16-18 x 2" BH C/S BLK"	
2	504944	S/A HANGER ONLY R 70D D2	
3	561378	"END PLUG DBL ""D"" S525 "	
4	561197	PLASTIC PIVOT SADDLE	
5	226057	10-24 x .725 BH SOC BZ	
6	561079	S/A LATCH LEVER	
7	321136	S/A SPRING L RED	
	504945	S/A HANGER ONLY L 70D D2	
	321137	S/A SPRING R CLEAR	
8,9	881500	LATCH BLOCK ASSM R	
	881501	LATCH BLOCK ASSM L	
1-9	641552	HANGER 70D R D2 PNT S/A BT	
	641553	HANGER 70D L D2 PNT S/A BT	



Pos.	Item Number	Description	Remarks
1	226217	"5/16-18 x 2" BH C/S BLK"	
2	504946	"S/A HANGER ONLY R 70D ""V"" D2"	
2	504947	"S/A HANGER ONLY L 70D ""V"" D2"	
3	561378	"END PLUG DBL ""D"" S525 "	
4	561197	PLASTIC PIVOT SADDLE	
5	226057	10-24 x .725 BH SOC BZ	
6	561079	S/A LATCH LEVER	
7	321136	S/A SPRING L RED	
7	321137	S/A SPRING R CLEAR	
8,9	881500	LATCH BLOCK ASSM R	
8,9	881501	LATCH BLOCK ASSM L	
1-9	641554	HNGR 70D V R D2 PNT S/A BT	
1-9	641555	HNGR 70D V L D2 PNT S/A BT	

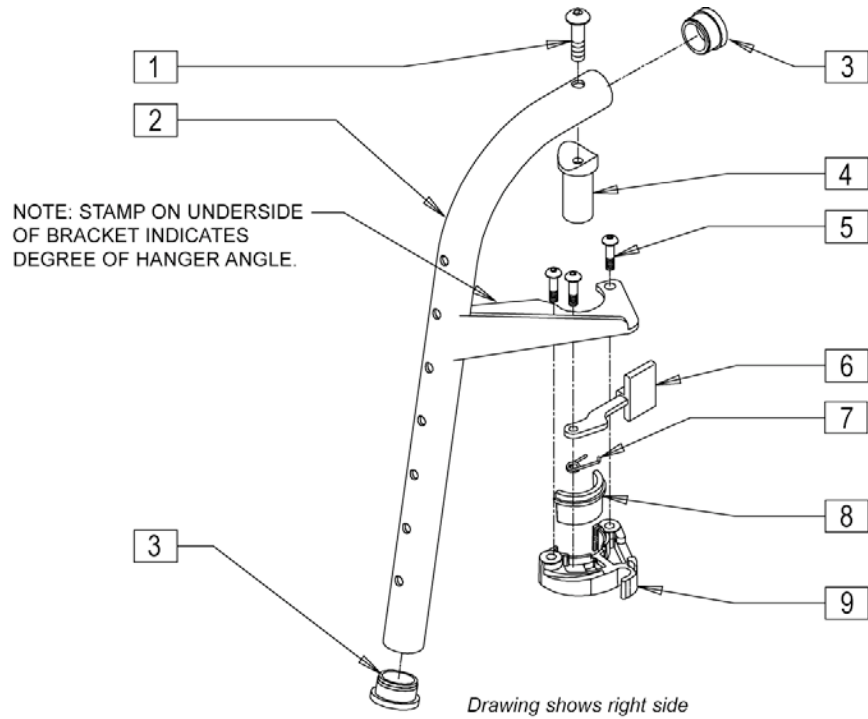


Pos.	Item Number	Description	Remarks
1	226217	5/16-18 x 2" BH C/S BLK	
2	504940	S/A HANGER ONLY R HEMI D2	
2	504941	S/A HANGER ONLY L HEMI D2	
3	561378	END PLUG DBL "D" S525	
4	561197	PLASTIC PIVOT SADDLE	
5	226057	10-24 x .725 BH SOC BZ	
6	561079	S/A LATCH LEVER	
7	321136	S/A SPRING L RED	
7	321137	S/A SPRING R CLEAR	
8,9	881500	LATCH BLOCK ASSM R	
8,9	881501	LATCH BLOCK ASSM L	
1-9	641506	HANGER 70D HEMI R D2 PNTD BT	
1-9	641507	HANGER 70D HEMI L D2 PNTD BT	

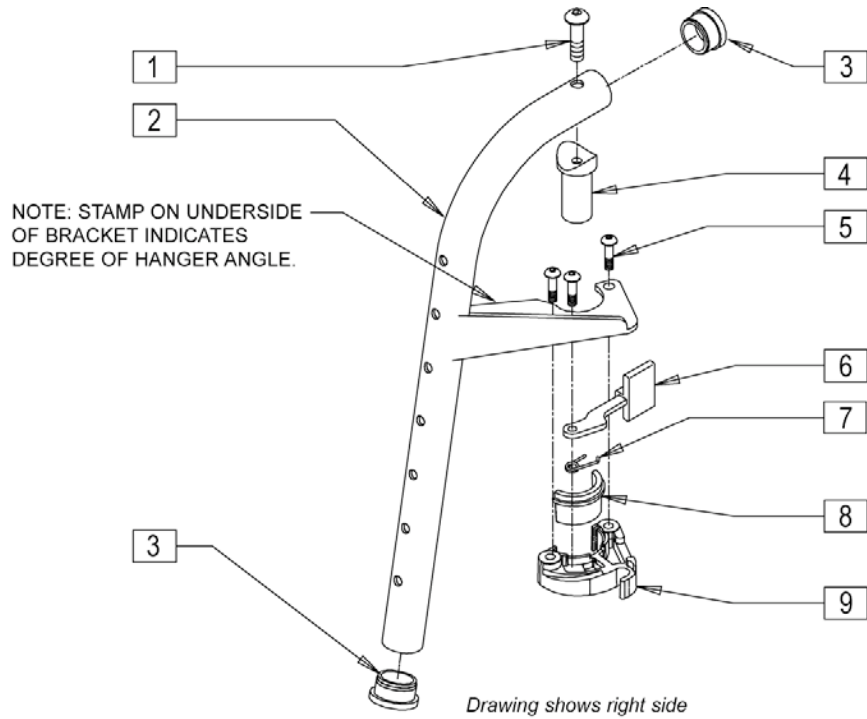


Pos.	Item Number	Description	Remarks
1	226217	"5/16-18 x 2" BH C/S BLK"	
2	505344	S/A HANGER ONLY R 70° F/MNT	
2	505345	S/A HANGER ONLY L 70D F/MT	
3	561002	1" INSERT PLUG .083	
4	561197	PLASTIC PIVOT SADDLE	
5	226057	10/24 x .725 BTTN HD SOC BZ	
6	561079	S/A LATCH LEVER	
7	321136	S/A SPRING L RED	
7	321137	S/A SPRING R CLEAR	
8,9	881500	LATCH BLOCK ASSM R	
8,9	881501	LATCH BLOCK ASSM L	
1-9	641142	HANGER 70D R PNTD S/A F/MT	
1-9	641143	HANGER 70D L PNTD S/A F/MT	

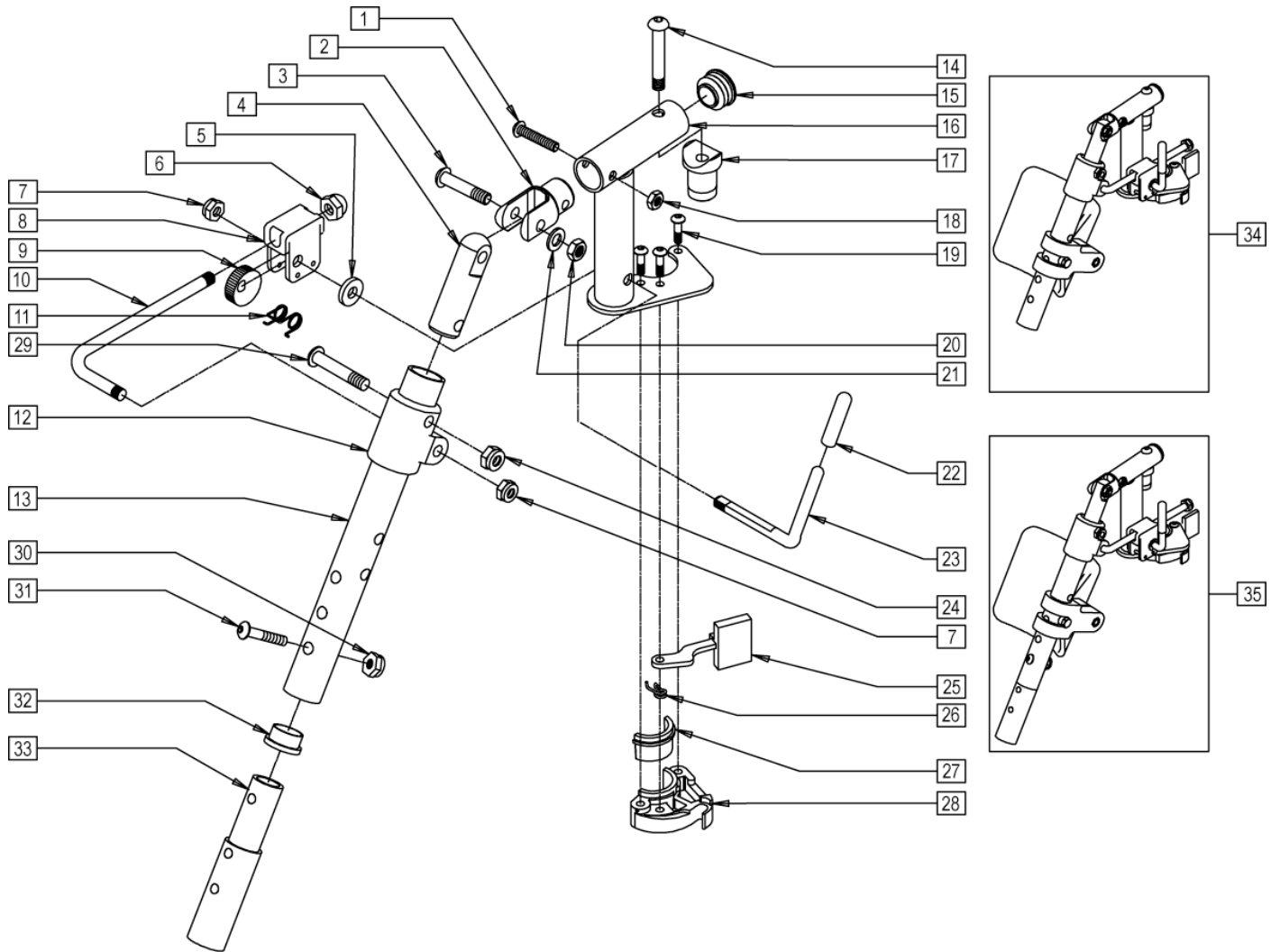
80 DEG SWING-AWAY FRONT MOUNT HANGER



Pos.	Item Number	Description	Remarks
1	226217	"5/16-18 x 2"" BH C/S BLK"	
2	505346	S/A HANGER ONLY R 80D F/MT	
2	505347	S/A HANGER ONLY L 80D F/MT	
3	561002	1? INSERT PLUG .083	
4	561197	PLASTIC PIVOT SADDLE	
5	226057	10/24 x .725 BTTN HD SOC BZ	
6	561079	S/A LATCH LEVER	
7	321136	S/A SPRING L RED	
7	321137	S/A SPRING R CLEAR	
8,9	881500	LATCH BLOCK ASSM R	
8,9	881501	LATCH BLOCK ASSM L	
1-9	641144	HANGER 80D R PNTD S/A F/MT	
1-9	641145	HANGER 80D L PNTD S/A F/MT	



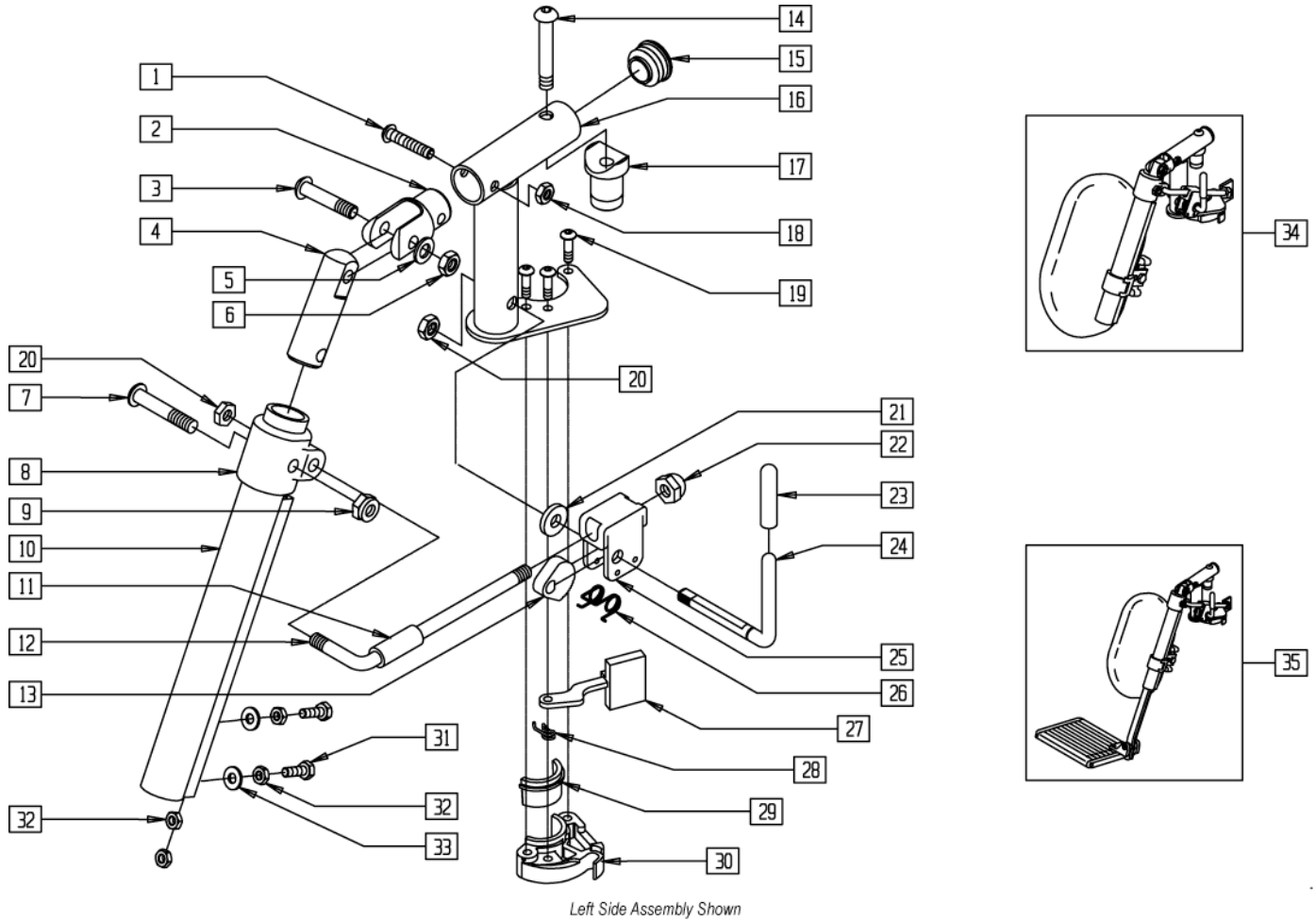
Pos.	Item Number	Description	Remarks
1	226217	"5/16-18 x 2"" BH C/S BLK"	
2	561002	1? INSERT PLUG .083	
3	561197	PLASTIC PIVOT SADDLE	
4	226057	10/24 x .725 BTTN HD SOC BZ	
5	561079	S/A LATCH LEVER	
6	321136	S/A SPRING L RED	
6	321137	S/A SPRING R CLEAR	
8	505039	S/A HANGER ONLY L 90D	
8	505040	S/A HANGER ONLY R 90D	
1,3	880545	PIVOT SADDLE .125 W/SCREW	
7,9	881500	LATCH BLOCK ASSM R	
7,9	881501	LATCH BLOCK ASSM L	
1-9	641556	HANGER 90D R PNTD S/A	
1-9	641557	HANGER 90D L PNTD S/A	



Pos.	Item Number	Description	Remarks
1	226129	1/4-28 x 1 1/4 BH C/S	
2	505281	ELR CLEVIS	
3	226138	5/16-24 x 1 1/2 BH C/S	
4	540252	ELR PIVOT PRS	
5	561059	3/4 OD x .318 ID WASHER	
6	202109	5/16-24 ACORN NUT HEX	
7	202100-MJ	5/16-24 NYLOCK NUT THIN	
8	880990	ELR LOCK HOUSING W/PIN	
9	481119	ELR CAM LOCKING POWDERED METAL	
10	481505	ELR LOCK ROD 90D	
11	321106	ELR TORSION SPRING	
12	560430	ELR ROD UPPER PIVOT	
13	505097	ELR KIDS TUBE	
14	226217	" 5/16-18 x 2"" BH C/S BLK"	
15	561062	"1"" INSERT PLUG .065 RIBS"	
16	505278	ELR HANGER BRKT R NEW	
16	505279	ELR HANGER BRKT L NEW	
17	561197	PLASTIC PIVOT SADDLE	
18	201100-QU	1/4-28 NYLOCK NUT THIN	

Pos.	Item Number	Description	Remarks
19	226057	10/24 x .725 BTTN HD SOC BZ	
20	202100-MJ	5/16-24 NYLOCK NUT THIN	
21	263100	5/16 AN WASHER FLAT	
22	561049	ELR RELEASE ROD COVER	
23	481123	ELR ACTUATION ARM 90 DEG KDS	
24	202100-MJ	5/16-24 NYLOCK NUT THIN	
25	561079	S/A LATCH LEVER	
26	321136	S/A SPRING L RED	
26	321137	S/A SPRING R CLEAR	
29	226138	5/16-24 x 1 1/2 BH C/S	
30	201100-QU	1/4-28 NYLOCK NUT THIN	
31	226129	1/4-28 x 1 1/4 BH C/S	
32	561002	"1"" INSERT PLUG .083"	
33	500150	"2"" FOOTREST EXT TUBE "	
34	923068	"ELR HNGR ASSM 90D W/PAD 2"" EXT"	
35	923067	ELR HNGR ASSM 90D W/PAD	
30,31,33	881403	"2"" FTRST EXT TUBE W/HDWR ASSM"	
27,28	881500	LATCH BLOCK ASSM R	
27,28	881501	LATCH BLOCK ASSM L	
22,23	882411	ELR 90D ACTUATION ARM ASSM	
1-4,14-21,	882413	ELR PIVOT BLOCK ASSM R	
25-28	882414	ELR PIVOT BLOCK ASSM L	
1-28	641458	ELR HNGR 90D W/O PAD PNTD R	
1-28	641459	ELR HNGR 90D W/O PAD PNTD L	
1-28,30,31,33	641468	"HANGER ELR 90 W/O PAD R 2"" EXT"	
1-28,30,31,33	641469	"HANGER ELR 90 W/O PAD L 2"" EXT"	

ELEVATING LEGREST

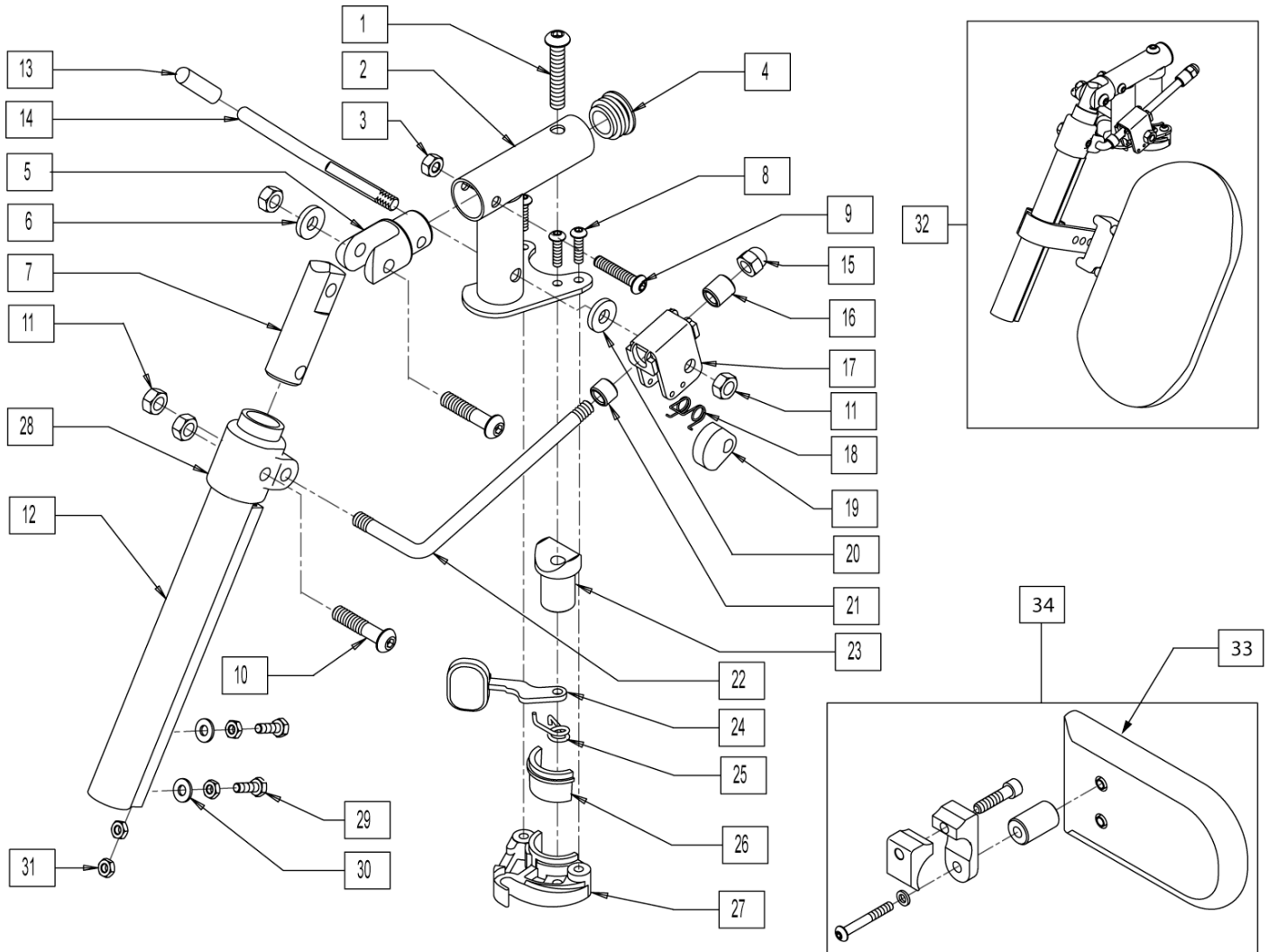


Left Side Assembly Shown

Pos.	Item Number	Description	Remarks
1	226129	1/4-28 x 1 1/4 BH C/S	
2	505281	ELR CLEVIS	
3	226138	5/16-24 x 1 1/2 BH C/S	
4	540252	ELR PIVOT PRS	
5	263100	5/16 AN WASHER FLAT	
6	202100-MJ	5/16-24 NYLOCK NUT THIN	
7	226138	5/16-24 x 1 1/2 BH C/S	
8	560420	ELR UPPER PIVOT PLST	
9	202100-MJ	5/16-24 NYLOCK NUT THIN	
10	550722	ELR ADJUSTMENT TUBE	
11	560784	ELR ADJUSTMENT STOP	
12	481117	ELR LOCK ROD	
13	481119	ELR CAM LOCKING POWDERED METAL	
14	226217	" 5/16-18 x 2" BH C/S BLK"	
15	561062	"1" INSERT PLUG .065 RIBS"	
16	505278	ELR HANGER BRKT R NEW	
16	505279	ELR HANGER BRKT L NEW	
17	561197	PLASTIC PIVOT SADDLE	
18	201100-QU	1/4-28 NYLOCK NUT THIN	
19	226057	10/24 x .725 BTTN HD SOC BZ	
20	202100-MJ	5/16-24 NYLOCK NUT THIN	
21	561059	3/4 OD x .318 ID WASHER	

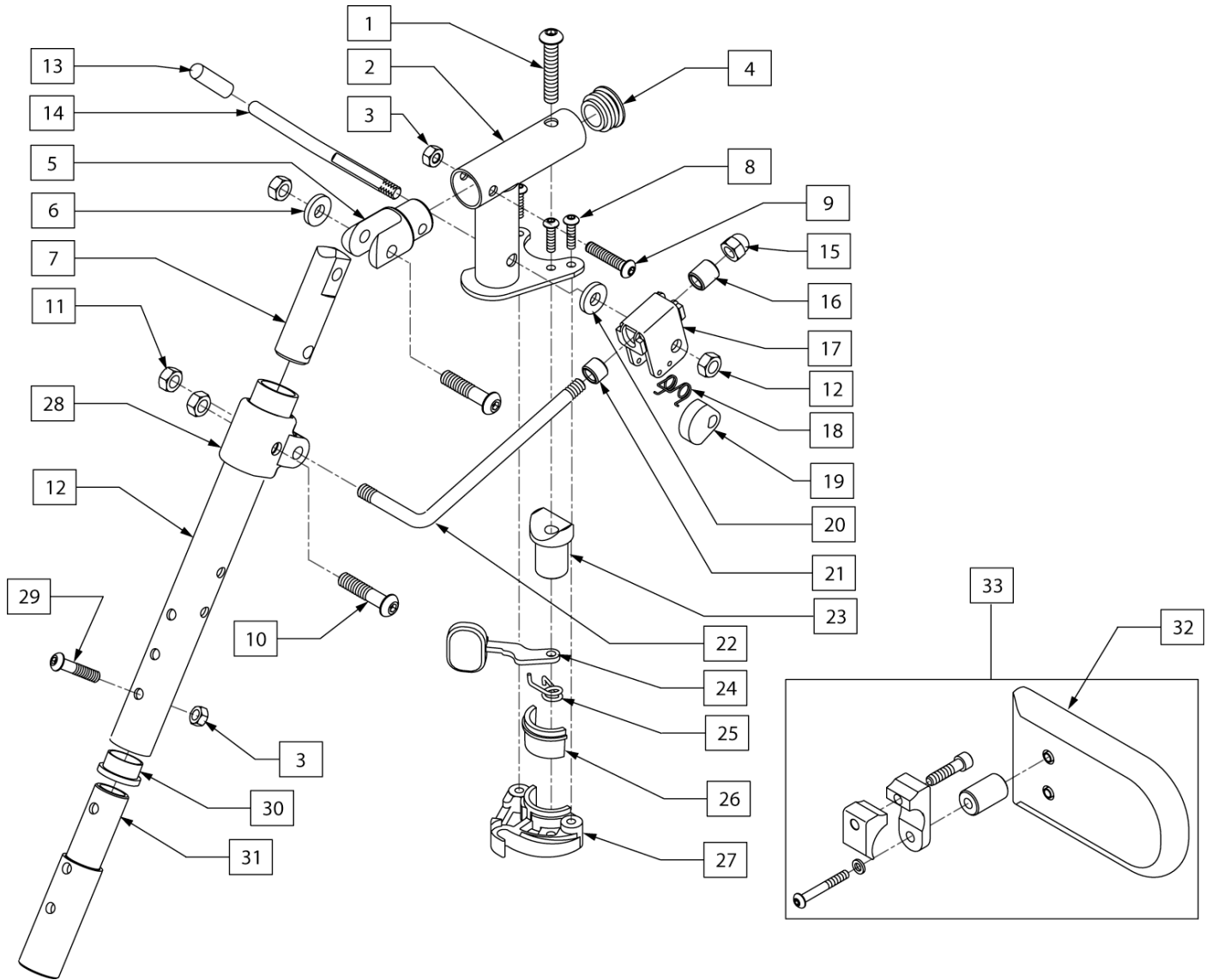
Pos.	Item Number	Description	Remarks
22	202109	5/16-24 ACORN NUT HEX	
23	561049	ELR RELEASE ROD COVER	
24	481122	ELR ACTUATION ARM	
25	880990	ELR LOCK HOUSING W/PIN	
26	321106	ELR TORSION SPRING	
27	561079	S/A LATCH LEVER	
28	321136	S/A SPRING L RED	
28	321137	S/A SPRING R CLEAR	
31	221100	1/4-28 x 3/4 HEX C/S	
32	201112	1/4-28 NUT THIN	
33	262110-QU	1/4 AN WASHER FLAT THIN	
11-13,20-26	881077	ELR LOCK ROD/ARM ASSEMBLY	
29,30	881500	LATCH BLOCK ASSM R	
29,30	881501	LATCH BLOCK ASSM L	
23,24	882410	ELR ACTUATION ARM ASSEMBLY	
1-6,14-19,	882413	ELR PIVOT BLOCK ASSM R	
27-30	882414	ELR PIVOT BLOCK ASSM L	
1-33	641452	ELR HNGR W/O PAD PNTD R MNL	
1-33	641453	ELR HNGR W/O PAD PNTD L MNL	
34	923082	ELR HNGR ASSM 14-15 W/PAD (PR)	
34	923041	"ELR HNGR ASSM W/PAD 16-17""	
34	923061	" ELR HNGR ASSM W/PAD 18-20""	
35	923088	" ELR HNGR REG EXT 14 15"" F/PLT"	
35	923084	"ELR HNGR REG EXT 16 17"" F/PLT "	
35	923085	"ELR HNGR REG EXT 18-20"" F/PLT"	

HEMI ELEVATING LEGREST



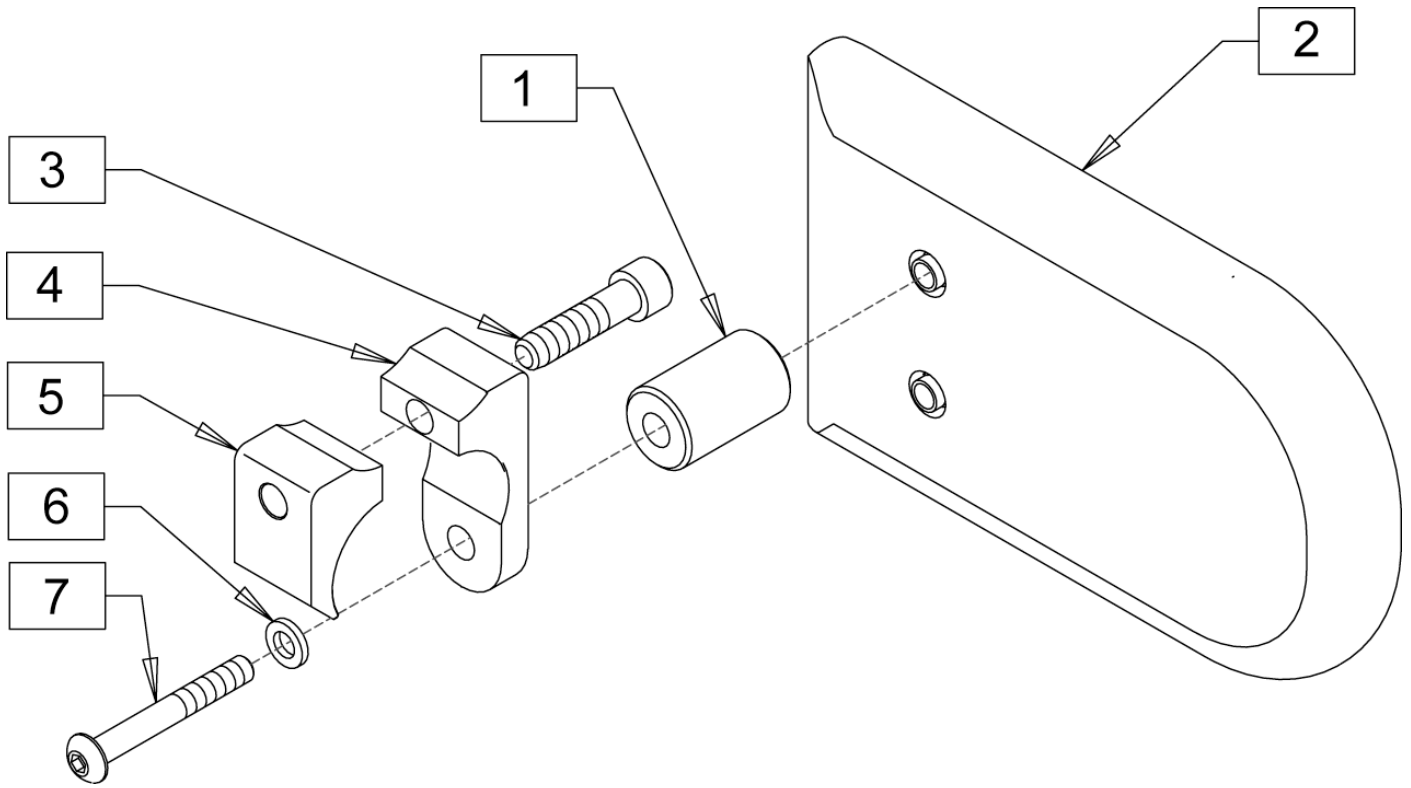
Pos.	Item Number	Description	Remarks
1	226217	" 5/16-18 x 2" BH C/S BLK"	
3	201100-QU	1/4-28 NYLOCK NUT THIN	
4	561062	"1" INSERT PLUG .065 RIBS"	
5	505281	ELR CLEVIS	
6	263100	5/16 AN WASHER FLAT	
7	540252	ELR PIVOT PRS	
8	226057	10/24 x .725 BTTN HD SOC BZ	
9	226129	1/4-28 x 1 1/4 BH C/S	
10	226138	5/16-24 x 1 1/2 BH C/S	
11	202100-MJ	5/16-24 NYLOCK NUT THIN	
12	550722	ELR ADJUSTMENT TUBE	
13	561049	ELR RELEASE ROD COVER	
14	481123	ELR ACTUATION ARM 90 DEG KDS	
15	202109	5/16-24 ACORN NUT HEX	
16	560815	HEMI ELR ADJ STOP BACK LG	
17	880990	ELR LOCK HOUSING W/PIN	
18	321106	ELR TORSION SPRING	
19	481119	ELR CAM LOCKING POWDERED METAL	
20	561059	3/4 OD x .318 ID WASHER	

Pos.	Item Number	Description	Remarks
21	500806	HEMI ELR ADJ STOP FRONT SMALL	
22	481117	ELR LOCK ROD	
23	561197	PLASTIC PIVOT SADDLE	
24	561079	S/A LATCH LEVER	
25	321136	S/A SPRING L RED	
25	321137	S/A SPRING R CLEAR	
28	560420	ELR UPPER PIVOT PLST	
29	221100	1/4-28 X 3/4 HEX C/S	
30	262110-QU	1/4 AN WASHER FLAT THIN	
31	201112	1/4-28 NUT THIN	
32	922324	HEMI ELR HNGR ASSM 14-15 W/PA	
32	922325	HEMI ELR HNGR ASSM 16-17 W/PAD	
32	922326	HEMI ELR HNGR ASSM 18-20 W/PAD	
33	750226	KNEE PAD FLAT 3H X 5L W/COVER	
34	922328	ELR HEMI KNEE PAD ASSM	
26,27	881500	LATCH BLOCK ASSM R	
26,27	881501	LATCH BLOCK ASSM L	
13,14	882411	ELR 90D ACTUATION ARM ASSM	
1-9,23-27	921826	ELR PIVOT BLOCK ASSM R	
1-9,23-27	921827	ELR PIVOT BLOCK ASSM L	
11,13-19, 21,22	922323	HEMI ELR LOCK ROD/ARM ASSM	
1-31	921828	HEMI ELR HANGER W/O PAD R	
1-31	921829	HEMI ELR HANGER W/O PAD L	

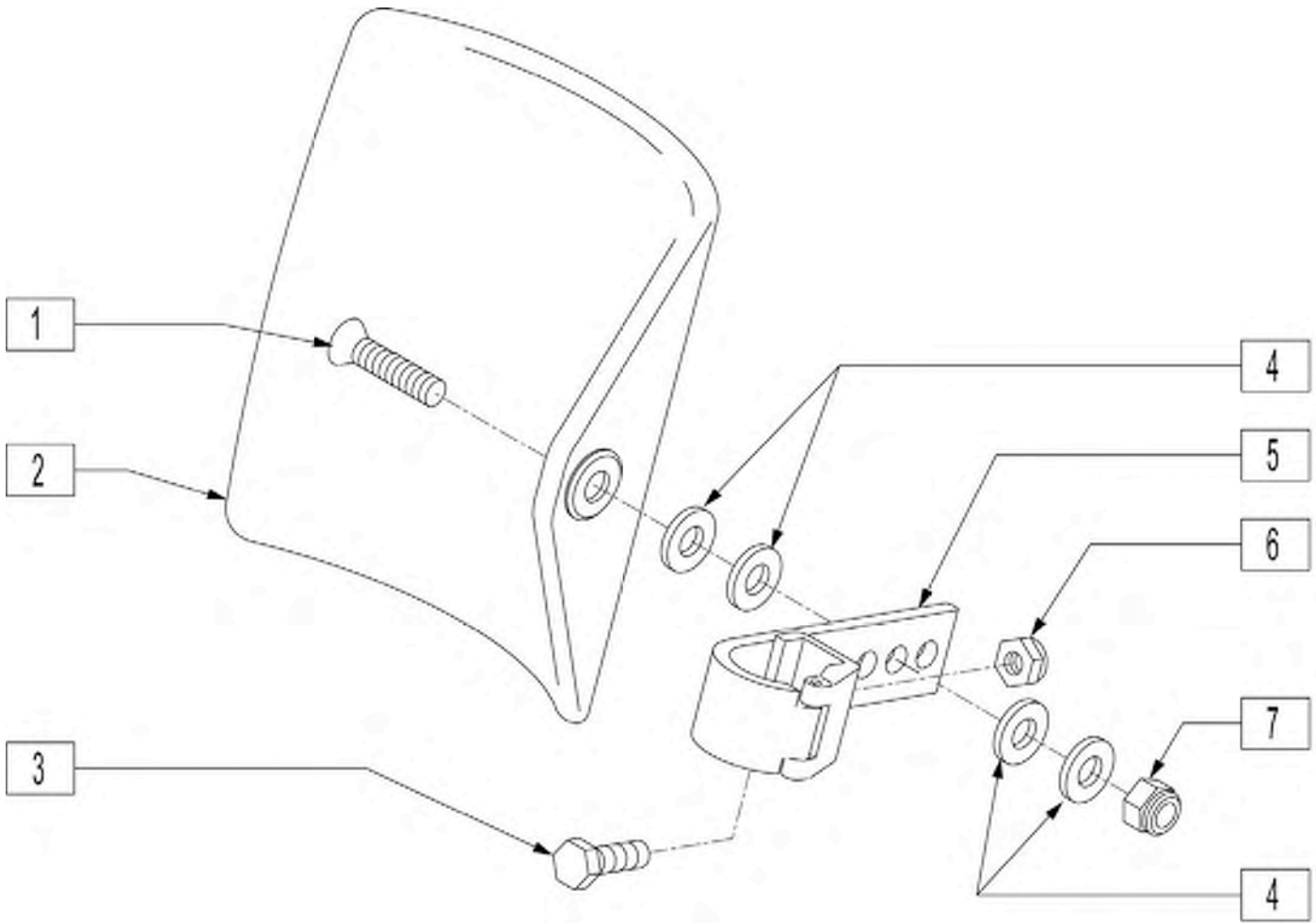


Pos.	Item Number	Description	Remarks
1	226217	" 5/16-18 x 2" BH C/S BLK"	
3	201100-QU	1/4-28 NYLOCK NUT THIN	
4	561062	"1" INSERT PLUG .065 RIBS"	
5	505281	ELR CLEVIS	
6	263100	5/16 AN WASHER FLAT	
7	540252	ELR PIVOT PRS	
8	226057	10/24 x .725 BTTN HD SOC BZ	
9	226129	1/4-28 x 1 1/4 BH C/S	
10	226138	5/16-24 x 1 1/2 BH C/S	
11	202100-MJ	5/16-24 NYLOCK NUT THIN	
12	505097	ELR KIDS TUBE (SPECIFY COLOR)	
13	561049	ELR RELEASE ROD COVER	
14	481123	ELR ACTUATION ARM 90 DEG KDS	
15	202109	5/16-24 ACORN NUT HEX	
16	560815	HEMI ELR ADJ STOP BACK LG	
17	880990	ELR LOCK HOUSING W/PIN	
18	321106	ELR TORSION SPRING	

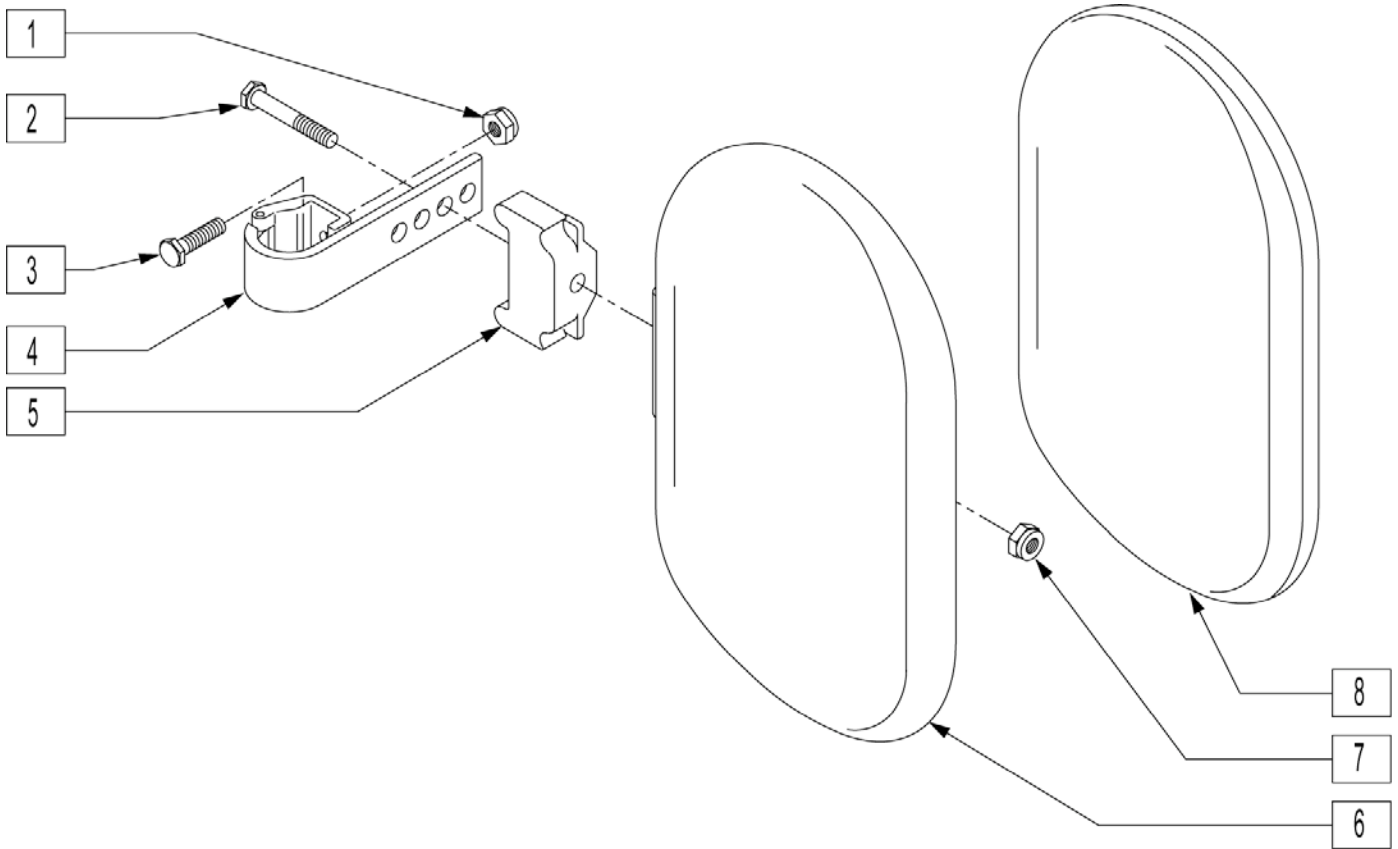
Pos.	Item Number	Description	Remarks
19	481119	ELR CAM LOCKING POWDERED METAL	
20	561059	3/4 OD x .318 ID WASHER	
21	500806	HEMI ELR ADJ STOP FRONT SMALL	
22	481117	ELR LOCK ROD	
23	561197	PLASTIC PIVOT SADDLE	
24	561079	S/A LATCH LEVER	
25	321136	S/A SPRING L RED	
25	321137	S/A SPRING R CLEAR	
28	560420	ELR UPPER PIVOT PLST	
29	226129	1/4-28 x 1 1/4 BH C/S	
30	561002	"1"" INSERT PLUG .083"	
31	500150	"2"" FOOTREST EXT TUBE "	
32	750226	KNEE PAD FLAT 3H X 5L W/COVER	
33	922328	ELR HEMI KNEE PAD ASSM	
3,29-31	881403	"2"" FTRST EXT TUBE W/HDWR ASSM"	
26,27	881500	LATCH BLOCK ASSM R	
26,27	881501	LATCH BLOCK ASSM L	
13,14	882411	ELR 90D ACTUATION ARM ASSM	
1-9,23-27	921826	ELR PIVOT BLOCK ASSM R	
1-9,23-27	921827	ELR PIVOT BLOCK ASSM L	
11,13-19, 21,22	922323	HEMI ELR LOCK ROD/ARM ASSM	
1-28	921894	HEMI ELR HANGER 90 D W/O PAD R	
1-28	921895	HEMI ELR HANGER 90 D W/O PAD L	



Pos.	Item Number	Description	Remarks
2	750226	KNEE PAD FLAT 3H X 5L W/COVER	
1-7	922328	ELR HEMI KNEE PAD ASSM	



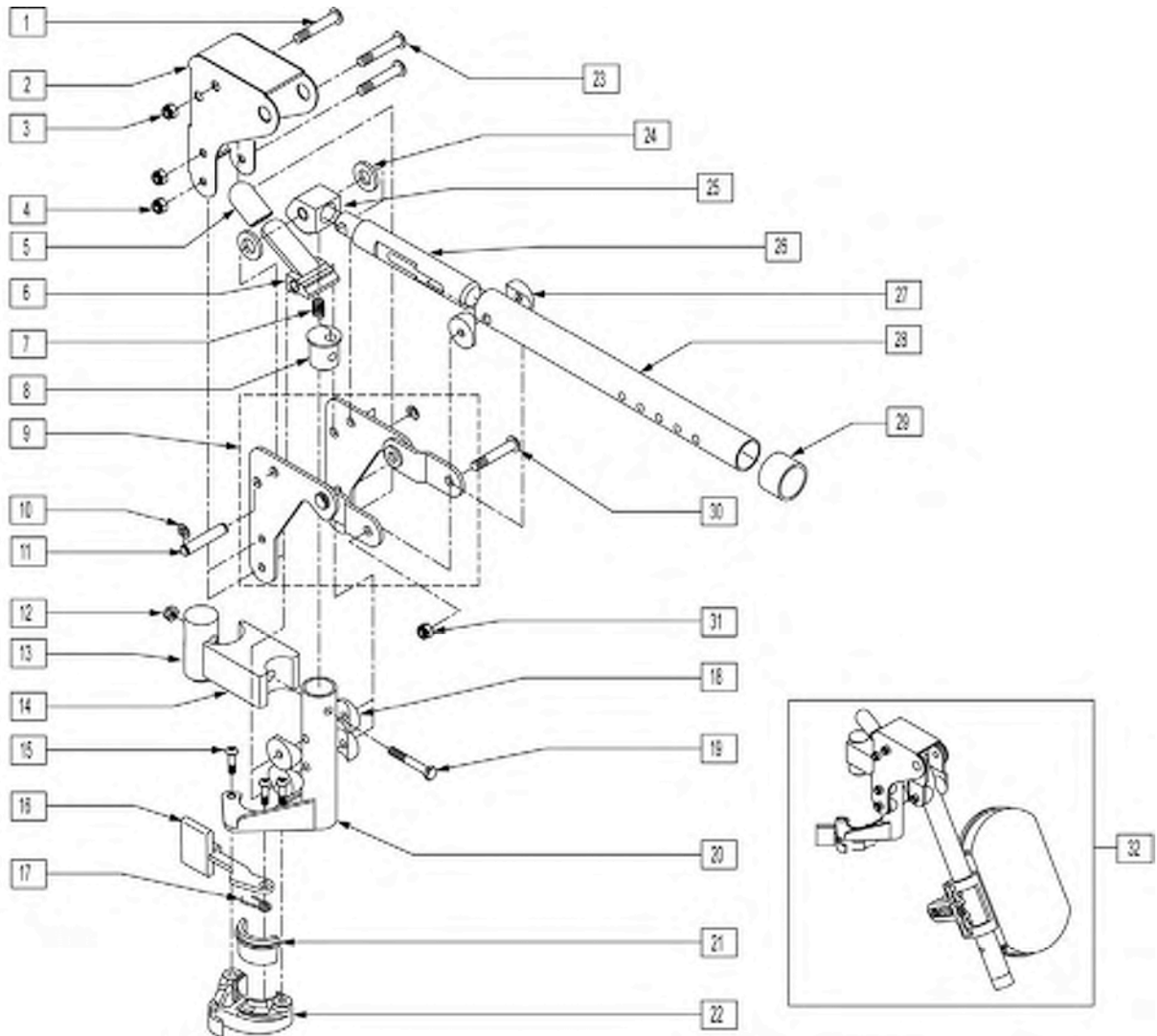
Pos.	Item Number	Description	Remarks
1	222108	5/16-18 x 1 1/4 BH C/S	
2	755014	CALF PAD TROUGH STYLE 14"/16"	
3	221096	1/4-28 x 5/8 HEX C/S	
4	561016	1" WASHER 5/16" HOLE	
5	881413	CALF PAD BRACKET ASSEMBLY	
6	201110-QU	1/4-28 NYLOCK NUT	
7	202102	5/16-18 NYLOCK NUT THIN	
1-7	881414	CALF PAD J-HOOK 14"-15" ASSEMBLY	



Pos.	Item Number	Description	Remarks
1	201110-QU	1/4-28 NYLOCK NUT	
2	222242	5/16-18 x 2 1/2 HEX C/S (16"-17")	
2	222255	5/16-18 x 3 1/2 HEX C/S (18"-20")	
3	221096	1/4-28 x 5/8 HEX C/S	
4	881413	CALF PAD BRACKET ASSEMBLY	
5	560199	ELR CALF HINGE SPACER	
6	560108	CALF PAD MOLDED 16"-20"	
7	202103	5/16-18 NYLOCK NUT THICK	
8	751045	CALF PAD COVER	
8	751046	CALF PAD COVER (BREEZY)	
1-4,6,7	881416	CALF MOLDED 16"-17" ASSEMBLY	
1-7	881412	CALF PAD MOLDED 18"-20" ASSEMBLY	

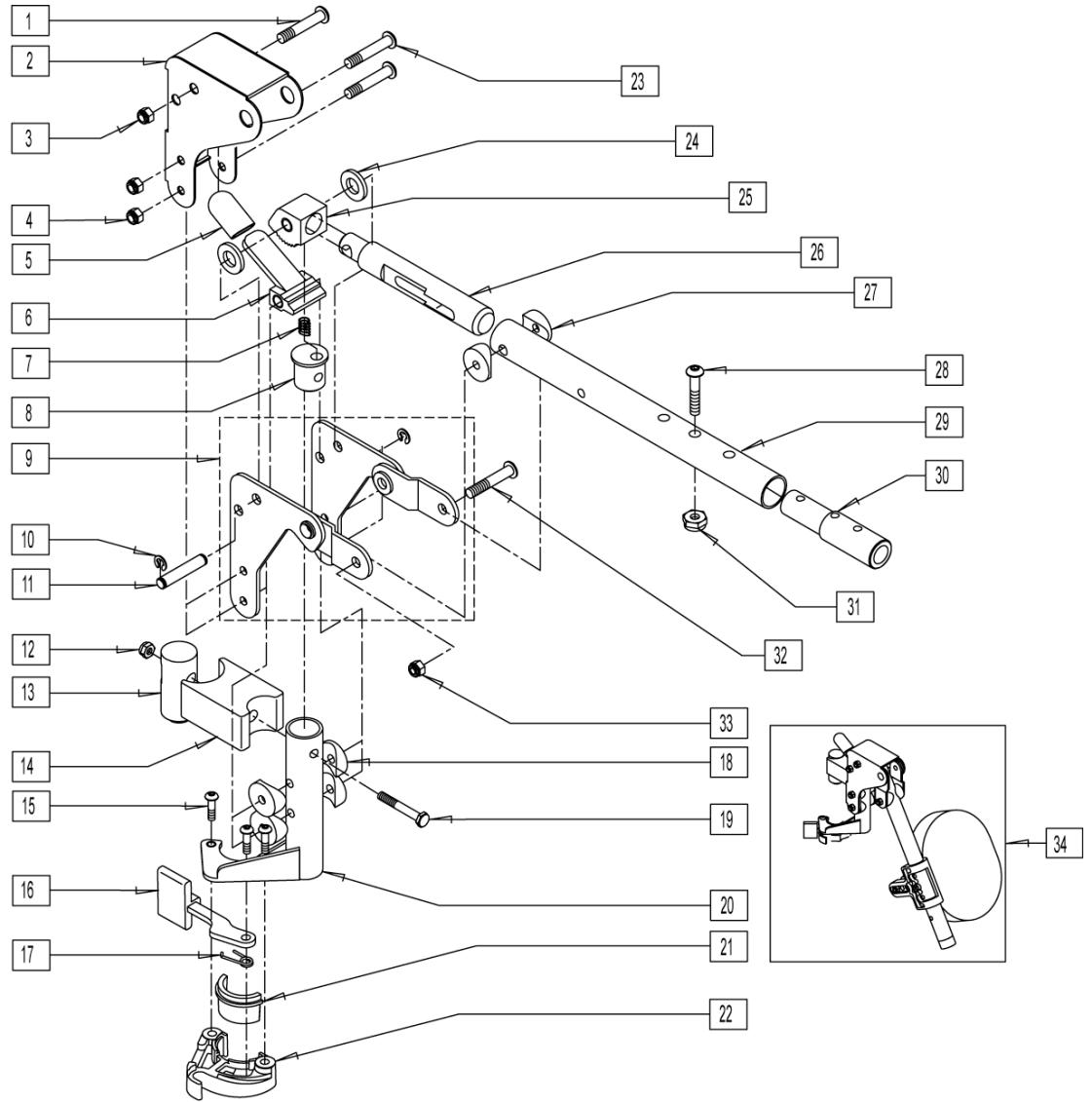
ARTICULATING LEGREST

[07/2007]



Pos.	Item Number	Description	Remarks	Pos.	Item Number	Description	Remarks
1	226198	5/16-18 x 2 BH C/S SHT THREAD		18	561004	1" SADDLE 1/4" HOLE	
2	562720	ALR COVER STD		19	221201	1/4-28 x 3 G8 HEX C/S	
3	202102	5/16-18 NYLOCK NUT THIN		20	505027	ALR S/A TUBEONLY R BLACK	
4	201100-QU	1/4-28 NYLOCK NUT THIN		20	505028	ALR S/A TUBEONLY L BLACK	
5	560501	ALR RELEASE LEVER COVER		23	226150	1/4-28 x 2 BH C/S	
6	505902	ALR RELEASE LEVER		24	561016	1" WASHER 5/16" HOLE	
7	321141	650L x 6 COIL SPRING		25	505900	ALR RATCHET BLOCK	
8	483060	ALR SPRING PLUG		26	483062	ALR RATCHET ROD	
9	880526	ALR BRACKET W/LINK R		27	561006	1" SADDLE 5/16? HOLE	
9	880527	ALR BRACKET W/LINK L		28	505026	ALR TUBE ONLY	
10	342000	1/4" E-CLIP		29	561082	1" TUBE END BUSHING THIN	
11	481052	ALR RETAINING STUD		30	226195	5/16-18 x 1.82 BH C/S	
12	201110-QU	1/4-28 NYLOCK NUT		31	202102	5/16-18 NYLOCK NUT THIN	
13	500177	ALR PIVOT SADDLE .125		21,22	881500	LATCH BLOCK ASSM R	
14	500178	ALR PIVOT SADDLE BLOCK		21,22	881501	LATCH BLOCK ASSM L	
15	226057	10/24 x .725 BTTN HD SOC BZ		1-31	641464	HANGER ALR W/O PAD PNTD R	
16	561079	S/A LATCH LEVER		1-31	641465	HANGER ALR W/O PAD PNTD L	
17	321136	S/A SPRING L RED		32	923051	ALR HANGER ASSM W/PAD ALUM LB	
17	321137	S/A SPRING R CLEAR					

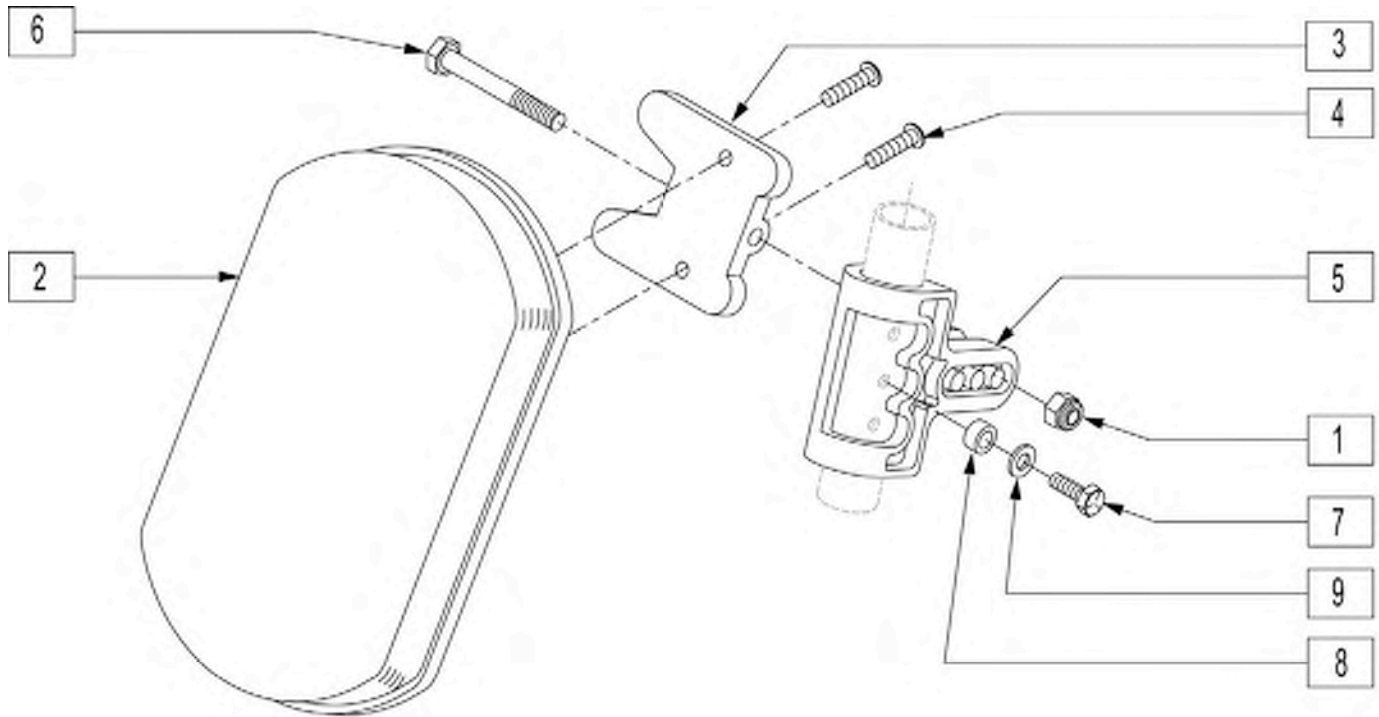
KIDS ARTICULATING LEGREST



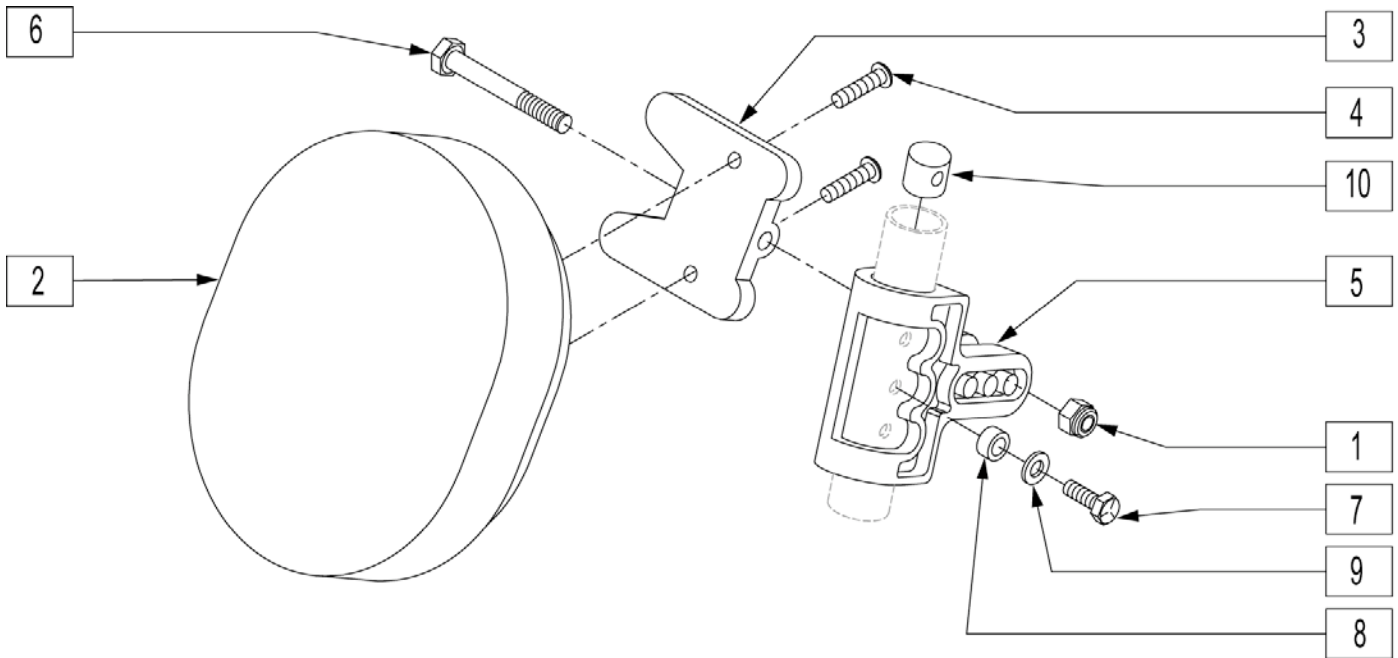
Pos.	Item Number	Description	Remarks
1	226198	5/16-18 x 2 BH C/S SHT THREAD	
2	560720	ALR COVER STD	
3	202102	5/16-18 NYLOCK NUT THIN	
4	201100-QU	1/4-28 NYLOCK NUT THIN	
5	560501	ALR RELEASE LEVER COVER	
6	505902	ALR RELEASE LEVER	
7	321141	650L x 6 COIL SPRING	
8	483060	ALR SPRING PLUG	
9	880526	ALR BRACKET W/LINK R	
9	880527	ALR BRACKET W/LINK L	
10	342000	1/4" E-CLIP	
11	481052	ALR RETAINING STUD	
12	201110-QU	1/4-28 NYLOCK NUT	
13	500177	ALR PIVOT SADDLE .125	
14	500178	ALR PIVOT SADDLE BLOCK	
15	226057	10/24 x .725 BTTN HD SOC BZ	
16	561079	S/A LATCH LEVER	

Pos.	Item Number	Description	Remarks
17	321136	S/A SPRING R CLEAR	
17	321137	S/A SPRING R	
18	561004	1' SADDLE 1/4 HOLE	
19	221201	1/4-28 x 3 G8 HEX C/S	
20	882466	ALR S/A TUBE ASSM L	
20	882467	ALR S/A TUBE ASSM R	
23	226150	1/4-28 x 2 BH C/S	
24	561016	1" WASHER 5/16 HOLE	
25	505900	ALR RATCHET BLOCK	
26	483062	ALR RATCHET ROD	
27	561006	1" SADDLE 5/16? HOLE	
28	226129	1/4-28 x 1 1/4 BH C/S	
29	505025	"KIDS ALR LEGREST TUBE 11"-13"	
30	500150	"2" FOOTREST EXT TUBE "	
31	201100-QU	1/4-28 NYLOCK NUT THIN	
32	226195	5/16-18 x 1.82 BH C/S	
33	202102	5/16-18 NYLOCK NUT THIN	
34	923053	KIDS ALR HANGER ASSEM W/PAD	(PR) (SPECIFY COLOR)
28,30,31	881403	"2" FTRST EXT TUBE W/HDWR ASSM"	
21,22	881500	LATCH BLOCK ASSM R	
21,22	881501	LATCH BLOCK ASSM L	
1-31	641432	" KIDS ALR HNGR W/O PAD R 2" EXT"	
1-31	641433	"KIDS ALR HNGR W/O PAD L 2" EXT"	

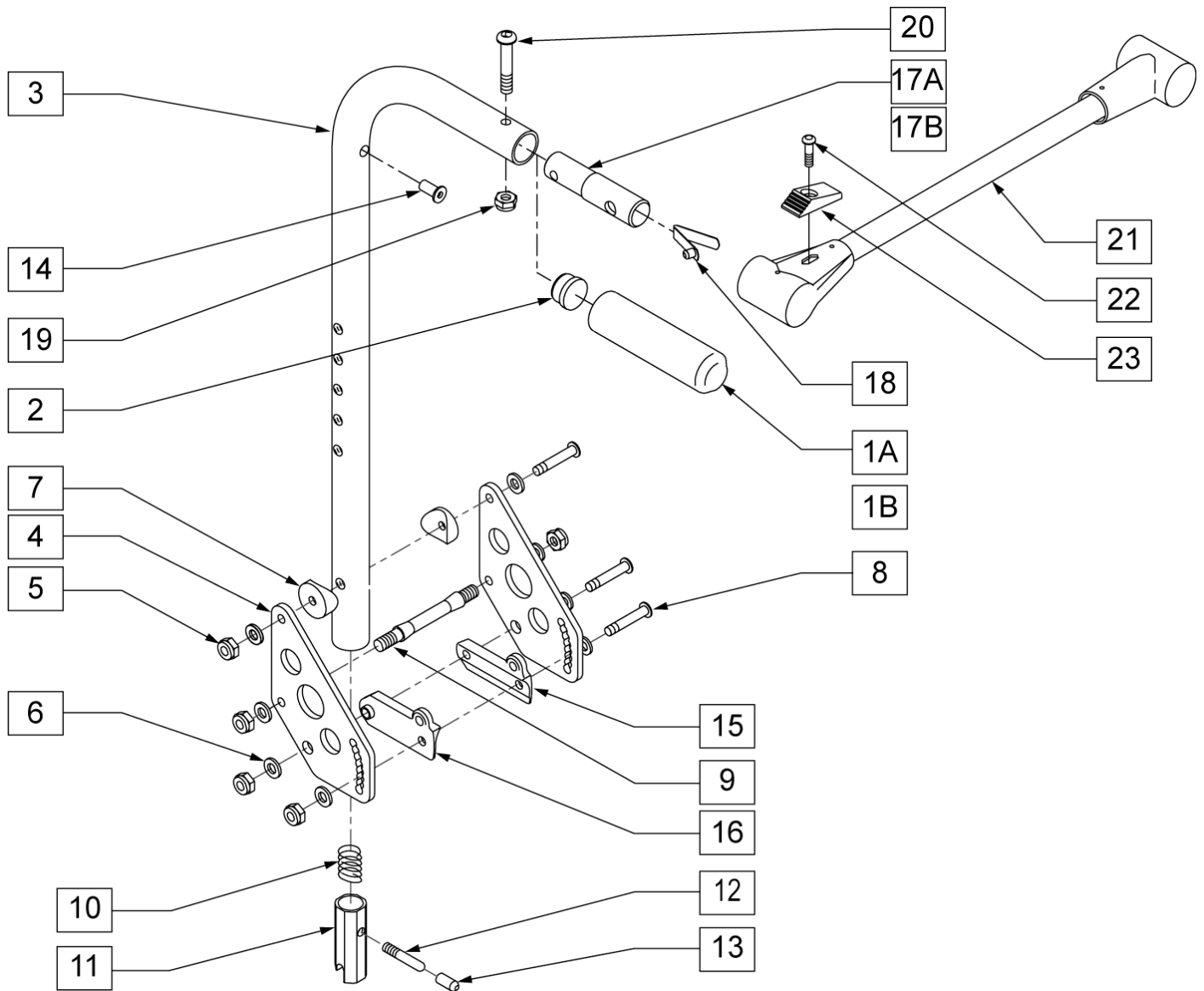
ARTICULATING LEGREST CALF PAD



Pos.	Item Number	Description	Remarks
1	202103	5/16-18 NYLOCK NUT THICK	
2	755010	ALR/ELR PAD	
3	561096	ALR/ELR CALF PAD BRACKET	
4	281182	1/4-20 x 5/8 PAN PHIL	
5	561099	CALF CLAMP ALR	
6	222255	5/16-18 x 3 1/2 HEX C/S	
7	221126	1/4-20 x 1 1/4 G8 HEX C/S	
8	483027	1/4 x 1/4 ALUMINUM SPACER BLK	
9	262130	6mm WASHER WAVE	
1-6	881399	ALR CALF PAD W/BRACKET	
1,3-9	881398	ALR CALF CLAMP ASSM W/O PAD	
1-9	881400	ALR CALF PAD ASSEMBLY (EA)	

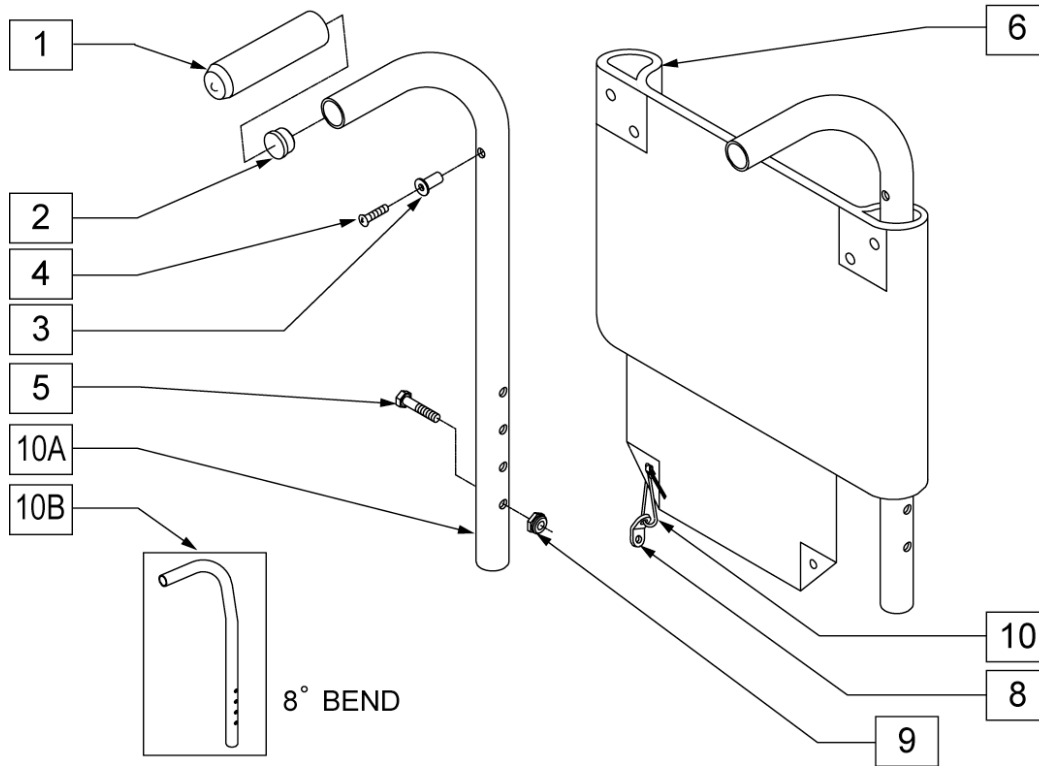


Pos.	Item Number	Description	Remarks
1	202103	5/16-18 NYLOCK NUT THICK	
2	755020	4 x 5 OVAL PAD	
3	561096	ALR/ELR CALF PAD BRACKET	
4	281181	1/4-20 x 3/4 PAN PHIL	
5	561099	CALF CLAMP ALR	
6	222255	5/16-18 x 3 1/2 HEX C/S	
7	221126	1/4-20 x 1 1/4 G8 HEX C/S	
8	483027	1/4 x 1/4 ALUMINUM SPACER	
9	262130	6mm WASHER WAVE	
10	500151	KIDS ALR RETAINING PLUG	
1-6	881401	KIDS ALR OVAL PAD W/BACKET	
1-10	881402	KIDS ALR OVAL PAD ASSEMBLY (EA)	

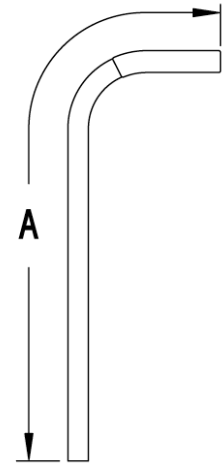


Pos.	Item Number	Description	Remarks
1A	560663	FOAM GRIP 8	
1B	560660	QUICKIE GRIP 1 W/ HOLE	
2	561002	1 INSERT PLUG .083	
4	506136	BACK PLATE DAB	
5	201100-QU	1/4-28 NYLOCK NUT THIN	
6	262100-QU	1/4 AN WASHER FLAT	
7	561004	1 SADDLE 1/4 HOLE	
8	226150	1/4-28 x 2 BH C/S	
9	481042	BACK RELEASE STOP PIN QTS	
10	321110	1/4-28 x 1.10 BH C/S	
11	483019	BACK RELEASE LATCH	
12	481084	BACK RELEASE PIN Z2/QT/EX	
13	560502	ANTI-TIP LEVER COVER	
15	560518	SADDLE BACKREST Q2 DAB	RIGHT
16	560519	SADDLE BACKREST Q2 DAB	LEFT
17B	483534	STABILIZER BAR LOCKING PIN Q2	

Pos.	Item Number	Description	Remarks
17A	483533	STABILIZER BAR PIVOT PIN Q2	
18	301100	"SNAP BUTTON 1/4"" SINGLE"	
19	202116	5/16-18 NYLOCK NUT THIN BLK	
20	222109	5/16-18 x 1 1/4 BH C/S BLK ZN	
21-23	820693	STABILIZER CROSS BAR ASSM 12	
21-23	820694	STABILIZER CROSS BAR ASSM 13	
21-23	820695	STABILIZER CROSS BAR ASSM 14	
21-23	820696	STABILIZER CROSS BAR ASSM 15	
21-23	820697	STABILIZER CROSS BAR ASSM 16	
21-23	820698	STABILIZER CROSS BAR ASSM 17	
21-23	820700	STABILIZER CROSS BAR ASSM 18	
21-23	820701	STABILIZER CROSS BAR ASSM 19	
21-23	820702	STABILIZER CROSS BAR ASSM 20	
21-23	820703	STABILIZER CROSS BAR ASSM 21	
21-23	820704	STABILIZER CROSS BAR ASSM 22	
5-9	920539	BACK PLATE DAB HARDWARE KIT	
5-13	920328	BACKREST LATCH KIT	
3, 14	842088	BACK TUBE MED DAB STABELIZER	
3, 14	842089	BACK TUBE STANDARD DAB STABELIZER	
3, 14	842090	BACK TUBE TALL DAB STABELIZER	
1-3, 14	842079	STROLLER HANDLE W/ FOAM MED ZPS/QT	
1-3, 14	842080	STROLLER HANDLE W/ FOAM STANDARD ZPS/P5/QT	
1-3, 14	842081	STROLLER HANDLE W/ FOAM MED ZPS/QT	
1-3, 10-14	920389	STROLLER HANDLE W/ LATCH MED ZPS/QT	
1-3, 10-14	920390	STROLLER HANDLE W/ LATCH STANDARD ZPS/P5/QT	
1-3, 10-14	920391	STROLLER HANDLE W/ LATCH MED ZPS/QT	
1-14	881845	STROLLER HANDLE MED & PLATE ASSM DAB	
1-14	881846	STROLLER HANDLE STANDARD & PLATE ASSM DAB	
1-14	881847	STROLLER HANDLE TALL & PLATE ASSM DAB	
1B, 2, 3, 14	842066	EXTENSION-STROLLER HANDLE MED	
1B, 2, 3, 14	842067	EXTENSION-STROLLER HANDLE STANDARD	
1B, 2, 3, 14	842068	EXTENSION-STROLLER HANDLE TALL	
1B, 2, 3	920423	EXTENSION-STROLLER HANDLE MED W/ LATCH	
1B, 2, 3	920421	EXTENSION-STROLLER HANDLE STANDARD W/ LATCH	
1B, 2, 3	920424	EXTENSION-STROLLER HANDLE TALL W/ LATCH	
1B, 2-14	920761	EXTENSION-STROLLER HANDLE MED & PLATE ASSM DAB	
1B, 2-14	920762	EXTENSION-STROLLER HANDLE STANDARD & PLATE ASSM DAB	
1B, 2-14	920763	EXTENSION-STROLLER HANDLE TALL & PLATE ASSM DAB	



MEASURING GUIDE



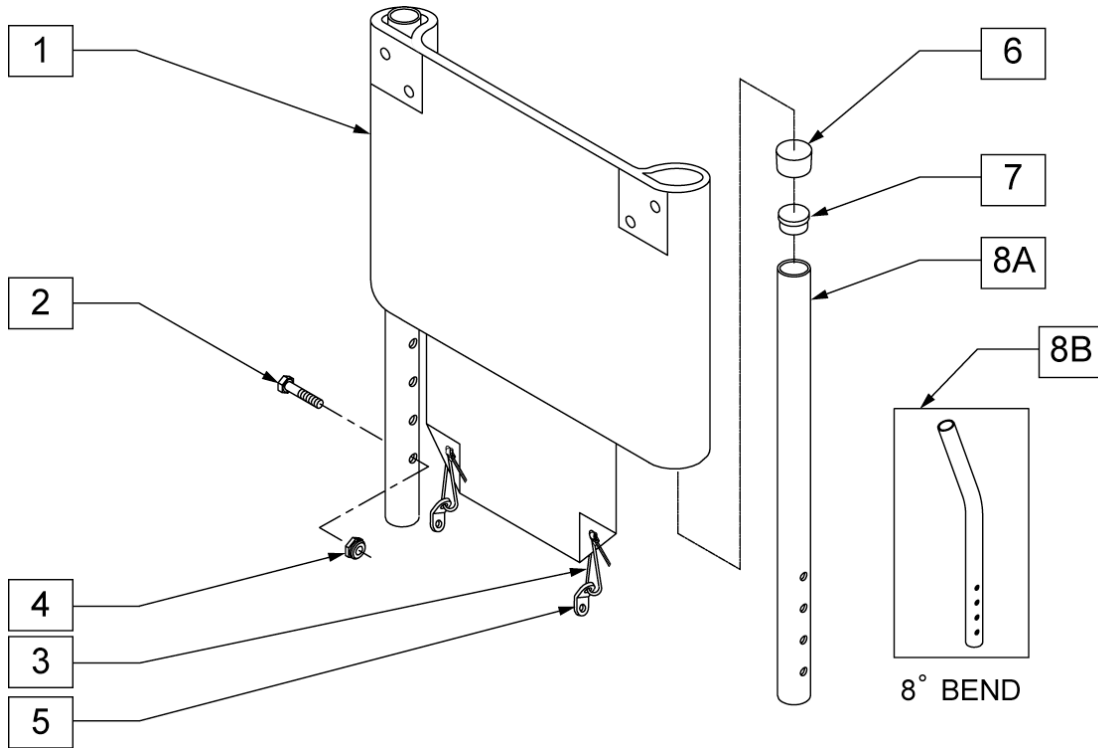
BACK TUBE	"A"
LOW	21 1/4"
MED	25"
TALL	28 1/2"

Pos.	Item Number	Description	Remarks
1	560661	QUICKIE GRIP 7/8	
4	281120	10 - 32 X 5/8 PAN HD PHIL	
5	221151-QU	1/4 - 28 X 1 3/4 G8 HEX C/S	
6	684010	BACK UPHOLSTERY 11-12 Q2 LOW	
6	684012	BACK UPHOLSTERY 11-12 Q2 MED Rx 14	
6	684014	BACK UPHOLSTERY 11-12 Q2 TALL Rx 17/19	
6	684017	ADJUSTABLE BACK UPHOLSTERY 11-12 LOW	
6	684018	ADJUSTABLE BACK UPHOLSTERY 11-12 MED	
6	684019	ADJUSTABLE BACK UPHOLSTERY 11-12 TALL	
6	684020	BACK UPHOLSTERY 13 Q2 LOW	Q2/2HP
6	684022	BACK UPHOLSTERY 13 Q2 MED Rx 14	Q2/2HP
6	684024	BACK UPHOLSTERY 13 Q2 TALL Rx 17/19	Q2/2HP
6	684027	ADJUSTABLE BACK UPHOLSTERY 13 LOW	Q2/2HP
6	684028	ADJUSTABLE BACK UPHOLSTERY 13 MED	Q2/2HP
6	684029	ADJUSTABLE BACK UPHOLSTERY 13 TALL	Q2/2HP
6	684030	BACK UPHOLSTERY 14 Q2 LOW	Q2/2HP
6	684032	BACK UPHOLSTERY 14 Q2 MED Rx 14	Q2/2HP
6	684034	BACK UPHOLSTERY 14 Q2 TALL Rx 17/19	Q2/2HP
6	684037	ADJUSTABLE BACK UPHOLSTERY 14 LOW	Q2/2HP
6	684038	ADJUSTABLE BACK UPHOLSTERY 14 MED	Q2/2HP
6	684039	ADJUSTABLE BACK UPHOLSTERY 14 TALL	Q2/2HP
6	684040	BACK UPHOLSTERY 15 Q2 LOW	Q2/2HP
6	684042	BACK UPHOLSTERY 15 Q2 MED Rx 14	Q2/2HP
6	684044	BACK UPHOLSTERY 15 Q2 TALL Rx 17/19	Q2/2HP
6	684047	ADJUSTABLE BACK UPHOLSTERY 15 LOW	Q2/2HP
6	684048	ADJUSTABLE BACK UPHOLSTERY 15 MED	Q2/2HP
6	684049	ADJUSTABLE BACK UPHOLSTERY 15 TALL	Q2/2HP

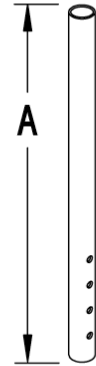
Pos.	Item Number	Description	Remarks
6	684050	BACK UPHOLSTERY 16 Q2 LOW	Q2/2HP
6	684052	BACK UPHOLSTERY 16 Q2 MED Rx 14	Q2/2HP
6	684054	BACK UPHOLSTERY 16 Q2 TALL Rx 17/19	Q2/2HP
6	684057	ADJUSTABLE BACK UPHOLSTERY 16 LOW	Q2/2HP
6	684058	ADJUSTABLE BACK UPHOLSTERY 16 MED	Q2/2HP
6	684059	ADJUSTABLE BACK UPHOLSTERY 16 TALL	Q2/2HP
6	684060	BACK UPHOLSTERY 17 Q2 LOW	Q2/2HP
6	684062	BACK UPHOLSTERY 17 Q2 MED Rx 14	Q2/2HP
6	684064	BACK UPHOLSTERY 17 Q2 TALL Rx 17/19	Q2/2HP
6	684067	ADJUSTABLE BACK UPHOLSTERY 17 LOW	Q2/2HP
6	684068	ADJUSTABLE BACK UPHOLSTERY 17 MED	Q2/2HP
6	684069	ADJUSTABLE BACK UPHOLSTERY 17 TALL	Q2/2HP
6	684070	BACK UPHOLSTERY 18 Q2 LOW	Q2/2HP
6	684072	BACK UPHOLSTERY 18 Q2 MED Rx 14	Q2/2HP
6	684074	BACK UPHOLSTERY 18 Q2 TALL Rx 17/19	Q2/2HP
6	684077	ADJUSTABLE BACK UPHOLSTERY 18 LOW	Q2/2HP
6	684078	ADJUSTABLE BACK UPHOLSTERY 18 MED	Q2/2HP
6	684079	ADJUSTABLE BACK UPHOLSTERY 18 TALL	Q2/2HP
6	684080	BACK UPHOLSTERY 19 Q2 LOW	Q2/2HP
6	684082	BACK UPHOLSTERY 19 Q2 MED Rx 14	Q2/2HP
6	684084	BACK UPHOLSTERY 19 Q2 TALL Rx 17/19	Q2/2HP
6	684087	ADJUSTABLE BACK UPHOLSTERY 19 LOW	Q2/2HP
6	684088	ADJUSTABLE BACK UPHOLSTERY 19 MED	Q2/2HP
6	684089	ADJUSTABLE BACK UPHOLSTERY 19 TALL	Q2/2HP
6	684090	BACK UPHOLSTERY 20 Q2 LOW	Q2/2HP
6	684092	BACK UPHOLSTERY 20 Q2 MED Rx 14	Q2/2HP
6	684094	BACK UPHOLSTERY 20 Q2 TALL Rx 17/19	Q2/2HP
6	684097	ADJUSTABLE BACK UPHOLSTERY 20 LOW	Q2/2HP
6	684098	ADJUSTABLE BACK UPHOLSTERY 20 MED	Q2/2HP
6	684099	ADJUSTABLE BACK UPHOLSTERY 20 TALL	Q2/2HP
7	560410	XIP TIE BLACK	
8	560227	2 HOLE TOGGLE BENT PLASTIC	
9	201110-QU	1/4-28 NYLOCK NUT	
1-3, 10B	842130	Q2 BACK TUBE LOW PH 7/8 W/FOAM BLK	Q2/2HP
1-3, 10B	842132	Q2 BACK TUBE LOW PH 7/8 W/FOAM BLK	Q2/2HP
1-3, 10B	842134	Q2 BACK TUBE LOW PH 7/8 W/FOAM BLK	Q2/2HP
1-3, 10B	842136	Q2 BACK TUBE LOW PH 7/8 W/FOAM BLK	Q2/2HP
1-3, 10B	842138	Q2 BACK TUBE LOW PH 7/8 W/FOAM BLK	Q2/2HP
1-10, 1-9, 10B	682000	BACK ASSM 11-12 Q2 7/8	Q2/2HP
1-10, 1-9, 10B	682001	BACK ASSM 11-12 Q2 7/8	Q2/2HP
1-10, 1-9, 10B	682002	BACK ASSM 11-12 Q2 7/8	Q2/2HP
1-10, 1-9, 10B	682003	BACK ASSM 11-12 Q2 7/8	Q2/2HP
1-10, 1-9, 10B	682004	BACK ASSM 11-12 Q2 7/8	Q2/2HP
1-10, 1-9, 10B	682005	BACK ASSM 11-12 Q2 7/8	Q2/2HP
1-10, 1-9, 10B	682006	BACK ASSM 11-12 Q2 7/8	Q2/2HP
1-10, 1-9, 10B	682007	BACK ASSM 11-12 Q2 7/8	Q2/2HP
1-10, 1-9, 10B	682008	BACK ASSM 11-12 Q2 7/8	Q2/2HP
1-10, 1-9, 10B	682009	BACK ASSM 11-12 Q2 7/8	Q2/2HP
1-10, 1-9, 10B	682010	BACK ASSM 13 LOW Q2 7/8	Q2/2HP
1-10, 1-9, 10B	682011	BACK ASSM 13 LOW PH Q2 7/8	Q2/2HP
1-10, 1-9, 10B	682012	BACK ASSM 13 MED Q2 7/8	Q2/2HP
1-10, 1-9, 10B	682013	BACK ASSM 13 MED 8D Q2 7/8	Q2/2HP
1-10, 1-9, 10B	682014	BACK ASSM 13 MED PH Q2 7/8	Q2/2HP
1-10, 1-9, 10B	682015	BACK ASSM 13 MED PH 8D Q2 7/8	Q2/2HP
1-10, 1-9, 10B	682016	BACK ASSM 13 TALL Q2 7/8	Q2/2HP
1-10, 1-9, 10B	682017	BACK ASSM 13 TALL 8D Q2 7/8	Q2/2HP
1-10, 1-9, 10B	682018	BACK ASSM 13 TALL PH Q2 7/8	Q2/2HP

Pos.	Item Number	Description	Remarks
1-10, 1-9, 10B	682019	BACK ASSM 13 TALL PH 8D Q2 7/8	Q2/2HP
1-10, 1-9, 10B	682020	BACK ASSM 14 LOW Q2 7/8	Q2/2HP
1-10, 1-9, 10B	682021	BACK ASSM 14 LOW PH Q2 7/8	Q2/2HP
1-10, 1-9, 10B	682022	BACK ASSM 14 MED Q2 7/8	Q2/2HP
1-10, 1-9, 10B	682023	BACK ASSM 14 MED 8D Q2 7/8	Q2/2HP
1-10, 1-9, 10B	682024	BACK ASSM 14 MED PH Q2 7/8	Q2/2HP
1-10, 1-9, 10B	682025	BACK ASSM 14 MED PH 8D Q2 7/8	Q2/2HP
1-10, 1-9, 10B	682026	BACK ASSM 14 TALL Q2 7/8	Q2/2HP
1-10, 1-9, 10B	682027	BACK ASSM 14 TALL 8D Q2 7/8	Q2/2HP
1-10, 1-9, 10B	682028	BACK ASSM 14 TALL PH Q2 7/8	Q2/2HP
1-10, 1-9, 10B	682029	BACK ASSM 14 TALL PH 8D Q2 7/8	Q2/2HP
1-10, 1-9, 10B	682030	BACK ASSM 15 LOW Q2 7/8	Q2/2HP
1-10, 1-9, 10B	682031	BACK ASSM 15 LOW PH Q2 7/8	Q2/2HP
1-10, 1-9, 10B	682032	BACK ASSM 15 MED Q2 7	Q2/2HP
1-10, 1-9, 10B	682033	BACK ASSM 15 MED 8D Q2 7/8	Q2/2HP
1-10, 1-9, 10B	682034	BACK ASSM 15 MED PH Q2 7/8	Q2/2HP
1-10, 1-9, 10B	682035	BACK ASSM 15 MED PH 8D Q2 7/8	Q2/2HP
1-10, 1-9, 10B	682036	BACK ASSM 15 TALL Q2 7/8	Q2/2HP
1-10, 1-9, 10B	682037	BACK ASSM 15 TALL 8D Q2 7/8	Q2/2HP
1-10, 1-9, 10B	682038	BACK ASSM 15 TALL PH Q2 7/8	Q2/2HP
1-10, 1-9, 10B	682039	BACK ASSM 15 TALL PH 8D Q2 7/8	Q2/2HP
1-10, 1-9, 10B	682040	BACK ASSM 16 LOW Q2 7/8	Q2/2HP
1-10, 1-9, 10B	682041	BACK ASSM 16 LOW PH Q2 7/8	Q2/2HP
1-10, 1-9, 10B	682042	BACK ASSM 16 MED Q2 7/8	Q2/2HP
1-10, 1-9, 10B	682043	BACK ASSM 16 MED 8D Q2 7/8	Q2/2HP
1-10, 1-9, 10B	682044	BACK ASSM 16 MED PH Q2 7/8	Q2/2HP
1-10, 1-9, 10B	682045	BACK ASSM 16 MED PH 8D Q2 7/8	Q2/2HP
1-10, 1-9, 10B	682046	BACK ASSM 16 TALL Q2 7/8	Q2/2HP
1-10, 1-9, 10B	682047	BACK ASSM 16 TALL 8D Q2 7/8	Q2/2HP
1-10, 1-9, 10B	682048	BACK ASSM 16 TALL PH Q2 7/8	Q2/2HP
1-10, 1-9, 10B	682049	BACK ASSM 16 TALL PH 8D Q2 7/8	Q2/2HP
1-10, 1-9, 10B	682050	BACK ASSM 17 LOW Q2 7/8	Q2/2HP
1-10, 1-9, 10B	682051	BACK ASSM 17 LOW PH Q2 7/8	Q2/2HP
1-10, 1-9, 10B	682052	BACK ASSM 17 MED Q2 7/8	Q2/2HP
1-10, 1-9, 10B	682053	BACK ASSM 17 MED 8D Q2 7/8	Q2/2HP
1-10, 1-9, 10B	682054	BACK ASSM 17 MED PH Q2 7/8	Q2/2HP
1-10, 1-9, 10B	682055	BACK ASSM 17 MED PH 8D Q2 7/8	Q2/2HP
1-10, 1-9, 10B	682056	BACK ASSM 17 TALL Q2 7/8	Q2/2HP
1-10, 1-9, 10B	682057	BACK ASSM 17 TALL 8D Q2 7/8	Q2/2HP
1-10, 1-9, 10B	682058	BACK ASSM 17 TALL PH Q2 7/8	Q2/2HP
1-10, 1-9, 10B	682059	BACK ASSM 17 TALL PH 8D Q2 7/8	Q2/2HP
1-10, 1-9, 10B	682060	BACK ASSM 18 LOW Q2 7/8	Q2/2HP
1-10, 1-9, 10B	682061	BACK ASSM 18 LOW PH Q2 7/8	Q2/2HP
1-10, 1-9, 10B	682062	BACK ASSM 18 MED Q2 7/8	Q2/2HP
1-10, 1-9, 10B	682063	BACK ASSM 18 MED 8D Q2 7/8	Q2/2HP
1-10, 1-9, 10B	682064	BACK ASSM 18 MED PH Q2 7/8	Q2/2HP
1-10, 1-9, 10B	682065	BACK ASSM 18 MED PH 8D Q2 7/8	Q2/2HP
1-10, 1-9, 10B	682066	BACK ASSM 18 TALL Q2 7/8	Q2/2HP
1-10, 1-9, 10B	682067	BACK ASSM 18 TALL 8D Q2 7/8	Q2/2HP
1-10, 1-9, 10B	682068	BACK ASSM 18 TALL PH Q2 7/8	Q2/2HP
1-10, 1-9, 10B	682069	BACK ASSM 18 TALL PH 8D Q2 7/8	Q2/2HP
1-10, 1-9, 10B	682070	BACK ASSM 19 LOW Q2 7/8	Q2/2HP
1-10, 1-9, 10B	682071	BACK ASSM 19 LOW PH Q2 7/8	Q2/2HP
1-10, 1-9, 10B	682072	BACK ASSM 19 MED Q2 7/8	Q2/2HP
1-10, 1-9, 10B	682073	BACK ASSM 19 MED 8D Q2 7/8	Q2/2HP
1-10, 1-9, 10B	682074	BACK ASSM 19 MED PH Q2 7/8	Q2/2HP
1-10, 1-9, 10B	682075	BACK ASSM 19 MED PH 8D Q2 7/8	Q2/2HP

Pos.	Item Number	Description	Remarks
1-10, 1-9, 10B	682076	BACK ASSM 19 TALL Q2 7/8	Q2/2HP
1-10, 1-9, 10B	682077	BACK ASSM 19 TALL 8D Q2 7/8	Q2/2HP
1-10, 1-9, 10B	682078	BACK ASSM 19 TALL PH Q2 7/8	Q2/2HP
1-10, 1-9, 10B	682079	BACK ASSM 19 TALL PH 8D Q2 7/8	Q2/2HP
1-10, 1-9, 10B	682080	BACK ASSM 20 LOW Q2 7/8	Q2/2HP
1-10, 1-9, 10B	682081	BACK ASSM 20 LOW PH Q2 7/8	Q2/2HP
1-10, 1-9, 10B	682082	BACK ASSM 20 MED Q2 7/8	Q2/2HP
1-10, 1-9, 10B	682083	BACK ASSM 20 MED 8D Q2 7/8	Q2/2HP
1-10, 1-9, 10B	682084	BACK ASSM 20 MED PH Q2 7/8	Q2/2HP
1-10, 1-9, 10B	682085	BACK ASSM 20 MED PH 8D Q2 7/8	Q2/2HP
1-10, 1-9, 10B	682086	BACK ASSM 20 TALL Q2 7/8	Q2/2HP
1-10, 1-9, 10B	682087	BACK ASSM 20 TALL 8D Q2 7/8	Q2/2HP
1-10, 1-9, 10B	682088	BACK ASSM 20 TALL PH Q2 7/8	Q2/2HP
1-10, 1-9, 10B	682089	BACK ASSM 20 TALL PH 8D Q2 7/8	Q2/2HP



MEASURING GUIDE



BACK TUBE	"A"
LOW	15"
MED	18 1/2"
TALL	22"

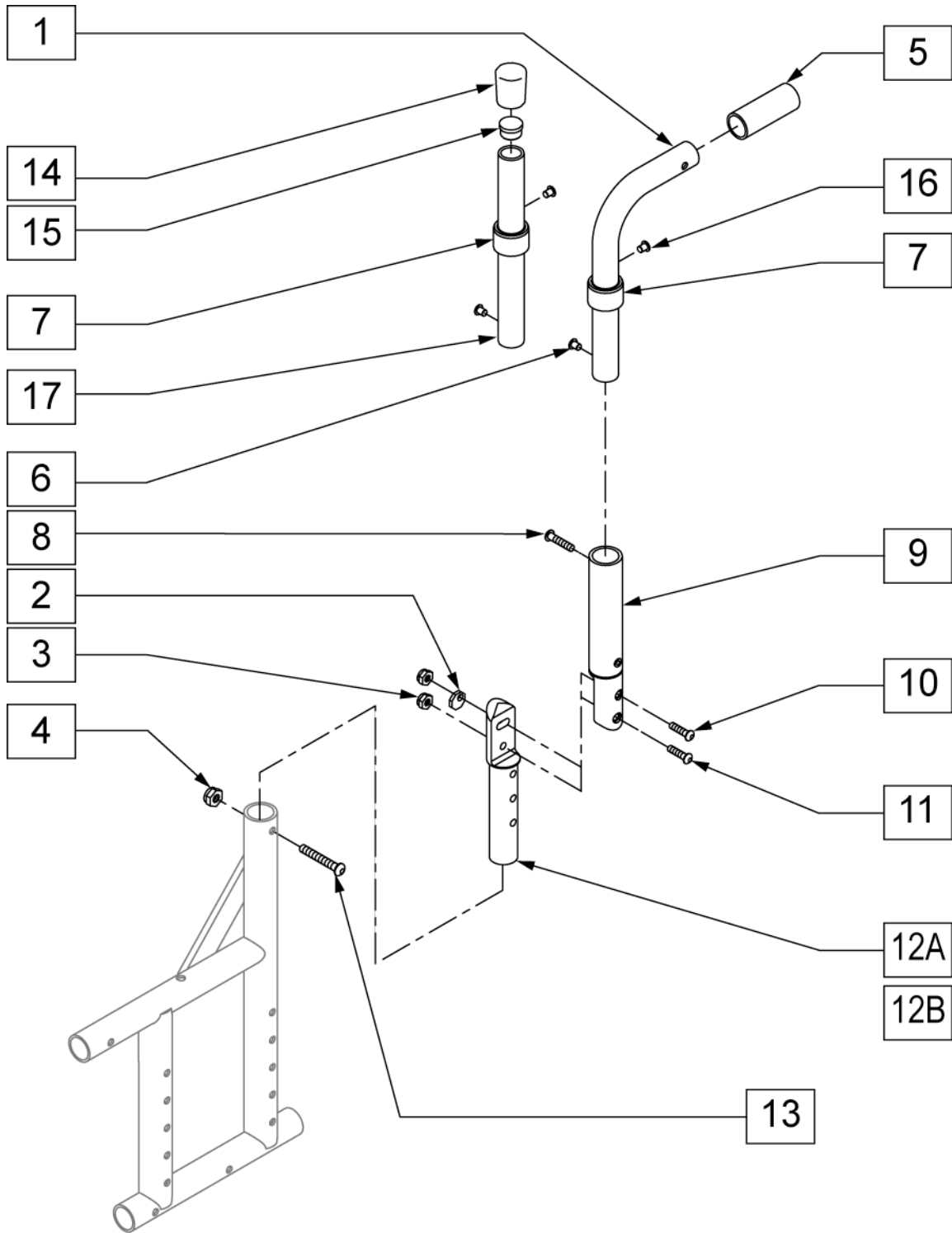
Pos.	Item Number	Description	Remarks
1	684010	BACK UPHOLSTERY 11-12 Q2 LOW	Q2/2HP
1	684012	BACK UPHOLSTERY 11-12 Q2 MED Rx 14	Q2/2HP
1	684014	BACK UPHOLSTERY 11-12 Q2 TALL Rx 17/19	Q2/2HP
1	684017	ADJUSTABLE BACK UPHOLSTERY 11-12 LOW	Q2/2HP
1	684018	ADJUSTABLE BACK UPHOLSTERY 11-12 MED	Q2/2HP
1	684019	ADJUSTABLE BACK UPHOLSTERY 11-12 TALL	Q2/2HP
1	684020	BACK UPHOLSTERY 13 Q2 LOW	Q2/2HP
1	684022	BACK UPHOLSTERY 13 Q2 MED Rx 14	Q2/2HP
1	684024	BACK UPHOLSTERY 13 Q2 TALL Rx 17/19	Q2/2HP
1	684027	ADJUSTABLE BACK UPHOLSTERY 13 LOW	Q2/2HP
1	684028	ADJUSTABLE BACK UPHOLSTERY 13 MED	Q2/2HP
1	684029	ADJUSTABLE BACK UPHOLSTERY 13 TALL	Q2/2HP
1	684030	BACK UPHOLSTERY 14 Q2 LOW	Q2/2HP
1	684032	BACK UPHOLSTERY 14 Q2 MED Rx 14	Q2/2HP
1	684034	BACK UPHOLSTERY 14 Q2 TALL Rx 17/19	Q2/2HP
1	684037	ADJUSTABLE BACK UPHOLSTERY 14 LOW	Q2/2HP
1	684038	ADJUSTABLE BACK UPHOLSTERY 14 MED	Q2/2HP
1	684039	ADJUSTABLE BACK UPHOLSTERY 14 TALL	Q2/2HP
1	684040	BACK UPHOLSTERY 15 Q2 LOW	Q2/2HP
1	684042	BACK UPHOLSTERY 15 Q2 MED Rx 14	Q2/2HP
1	684044	BACK UPHOLSTERY 15 Q2 TALL Rx 17/19	Q2/2HP
1	684047	ADJUSTABLE BACK UPHOLSTERY 15 LOW	Q2/2HP
1	684048	ADJUSTABLE BACK UPHOLSTERY 15 MED	Q2/2HP
1	684049	ADJUSTABLE BACK UPHOLSTERY 15 TALL	Q2/2HP
1	684050	BACK UPHOLSTERY 16 Q2 LOW	Q2/2HP
1	684052	BACK UPHOLSTERY 16 Q2 MED Rx 14	Q2/2HP
1	684054	BACK UPHOLSTERY 16 Q2 TALL Rx 17/19	Q2/2HP
1	684057	ADJUSTABLE BACK UPHOLSTERY 16 LOW	Q2/2HP
1	684058	ADJUSTABLE BACK UPHOLSTERY 16 MED	Q2/2HP

Pos.	Item Number	Description	Remarks
1	684059	ADJUSTABLE BACK UPHOLSTERY 16 TALL	Q2/2HP
1	684060	BACK UPHOLSTERY 17 Q2 LOW	Q2/2HP
1	684062	BACK UPHOLSTERY 17 Q2 MED Rx 14	Q2/2HP
1	684064	BACK UPHOLSTERY 17 Q2 TALL Rx 17/19	Q2/2HP
1	684067	ADJUSTABLE BACK UPHOLSTERY 17 LOW	Q2/2HP
1	684068	ADJUSTABLE BACK UPHOLSTERY 17 MED	Q2/2HP
1	684069	ADJUSTABLE BACK UPHOLSTERY 17 TALL	Q2/2HP
1	684070	BACK UPHOLSTERY 18 Q2 LOW	Q2/2HP
1	684072	BACK UPHOLSTERY 18 Q2 MED Rx 14	Q2/2HP
1	684074	BACK UPHOLSTERY 18 Q2 TALL Rx 17/19	Q2/2HP
1	684077	ADJUSTABLE BACK UPHOLSTERY 18 LOW	Q2/2HP
1	684078	ADJUSTABLE BACK UPHOLSTERY 18 MED	Q2/2HP
1	684079	ADJUSTABLE BACK UPHOLSTERY 18 TALL	Q2/2HP
1	684080	BACK UPHOLSTERY 19 Q2 LOW	Q2/2HP
1	684082	BACK UPHOLSTERY 19 Q2 MED Rx 14	Q2/2HP
1	684084	BACK UPHOLSTERY 19 Q2 TALL Rx 17/19	Q2/2HP
1	684087	ADJUSTABLE BACK UPHOLSTERY 19 LOW	Q2/2HP
1	684088	ADJUSTABLE BACK UPHOLSTERY 19 MED	Q2/2HP
1	684089	ADJUSTABLE BACK UPHOLSTERY 19 TALL	Q2/2HP
1	684090	BACK UPHOLSTERY 20 Q2 LOW	Q2/2HP
1	684092	BACK UPHOLSTERY 20 Q2 MED Rx 14	Q2/2HP
1	684094	BACK UPHOLSTERY 20 Q2 TALL Rx 17/19	Q2/2HP
1	684097	ADJUSTABLE BACK UPHOLSTERY 20 LOW	Q2/2HP
1	684098	ADJUSTABLE BACK UPHOLSTERY 20 MED	Q2/2HP
1	684099	ADJUSTABLE BACK UPHOLSTERY 20 TALL	Q2/2HP
2	221151-QU	1/4-28 x 1 3/4 G8 HEX C/S	Q2/2HP
3	201110-QU	1/4-28 NYLOCK NUT	Q2/2HP
4	560410	ZIP TIE BACK	Q2/2HP
5	560227	2 HOLE TOGGLE BENT PLASTIC	Q2/2HP
6	561013	7/8 CAP	Q2/2HP
7	561007	7/8 INSERT PLUG /083	
6-8A, 6-8B	842120	Q2 BACK TUBE LOW 7/8	Q2/2HP
6-8A, 6-8B	842121	PUSH HANDLE 8D W/ FOAM BR	Q2/2HP
6-8A, 6-8B	842122	Q2 BACK TUBE MED 7/8	Q2/2HP
6-8A, 6-8B	842123	PUSH HANDLE W/ FOAM ADJ BR	Q2/2HP
6-8A, 6-8B	842124	Q2 BACK TUBE MED 8D 7/8	Q2/2HP
6-8A, 6-8B	842126	Q2 BACK TUBE TALL 7/8	Q2/2HP
6-8A, 6-8B	842127	PUSH HANDLE 8D W/ FOAM BL	Q2/2HP
6-8A, 6-8B	842128	Q2 BACK TUBE TALL 8D 7/8	Q2/2HP
1-8, 1-7, 8A	682000	BACK ASSM 11-12 Q2 7/8	Q2/2HP
1-8, 1-7, 8A	682001	BACK ASSM 11-12 Q2 7/8	Q2/2HP
1-8, 1-7, 8A	682002	BACK ASSM 11-12 Q2 7/8	Q2/2HP
1-8, 1-7, 8A	682003	BACK ASSM 11-12 Q2 7/8	Q2/2HP
1-8, 1-7, 8A	682004	BACK ASSM 11-12 Q2 7/8	Q2/2HP
1-8, 1-7, 8A	682005	BACK ASSM 11-12 Q2 7/8	Q2/2HP
1-8, 1-7, 8A	682006	BACK ASSM 11-12 Q2 7/8	Q2/2HP
1-8, 1-7, 8A	682007	BACK ASSM 11-12 Q2 7/8	Q2/2HP
1-8, 1-7, 8A	682008	BACK ASSM 11-12 Q2 7/8	Q2/2HP
1-8, 1-7, 8A	682009	BACK ASSM 11-12 Q2 7/8	Q2/2HP
1-8, 1-7, 8A	682010	BACK ASSM 13 LOW Q2 7/8	Q2/2HP
1-8, 1-7, 8A	682011	BACK ASSM 13 LOW PH Q2 7/8	Q2/2HP
1-8, 1-7, 8A	682012	BACK ASSM 13 MED Q2 7/8	Q2/2HP
1-8, 1-7, 8A	682013	BACK ASSM 13 MED 8D Q2 7/8	Q2/2HP
1-8, 1-7, 8A	682014	BACK ASSM 13 MED PH Q2 7/8	Q2/2HP
1-8, 1-7, 8A	682015	BACK ASSM 13 MED PH 8D Q2 7/8	Q2/2HP
1-8, 1-7, 8A	682016	BACK ASSM 13 TALL Q2 7/8	Q2/2HP
1-8, 1-7, 8A	682017	BACK ASSM 13 TALL 8D Q2 7/8	Q2/2HP

Pos.	Item Number	Description	Remarks
1-8, 1-7, 8A	682018	BACK ASSM 13 TALL PH Q2 7/8	Q2/2HP
1-8, 1-7, 8A	682019	BACK ASSM 13 TALL PH 8D Q2 7/8	Q2/2HP
1-8, 1-7, 8A	682020	BACK ASSM 14 LOW Q2 7/8	Q2/2HP
1-8, 1-7, 8A	682021	BACK ASSM 14 LOW PH Q2 7/8	Q2/2HP
1-8, 1-7, 8A	682022	BACK ASSM 14 MED Q2 7/8	Q2/2HP
1-8, 1-7, 8A	682023	BACK ASSM 14 MED 8D Q2 7/8	Q2/2HP
1-8, 1-7, 8A	682024	BACK ASSM 14 MED PH Q2 7/8	Q2/2HP
1-8, 1-7, 8A	682025	BACK ASSM 14 MED PH 8D Q2 7/8	Q2/2HP
1-8, 1-7, 8A	682026	BACK ASSM 14 TALL Q2 7/8	Q2/2HP
1-8, 1-7, 8A	682027	BACK ASSM 14 TALL 8D Q2 7/8	Q2/2HP
1-8, 1-7, 8A	682028	BACK ASSM 14 TALL PH Q2 7/8	Q2/2HP
1-8, 1-7, 8A	682029	BACK ASSM 14 TALL PH 8D Q2 7/8	Q2/2HP
1-8, 1-7, 8A	682030	BACK ASSM 15 LOW Q2 7/8	Q2/2HP
1-8, 1-7, 8A	682031	BACK ASSM 15 LOW PH Q2 7/8	Q2/2HP
1-8, 1-7, 8A	682032	BACK ASSM 15 MED Q2 7	Q2/2HP
1-8, 1-7, 8A	682033	BACK ASSM 15 MED 8D Q2 7/8	Q2/2HP
1-8, 1-7, 8A	682034	BACK ASSM 15 MED PH Q2 7/8	Q2/2HP
1-8, 1-7, 8A	682035	BACK ASSM 15 MED PH 8D Q2 7/8	Q2/2HP
1-8, 1-7, 8A	682036	BACK ASSM 15 TALL Q2 7/8	Q2/2HP
1-8, 1-7, 8A	682037	BACK ASSM 15 TALL 8D Q2 7/8	Q2/2HP
1-8, 1-7, 8A	682038	BACK ASSM 15 TALL PH Q2 7/8	Q2/2HP
1-8, 1-7, 8A	682039	BACK ASSM 15 TALL PH 8D Q2 7/8	Q2/2HP
1-8, 1-7, 8A	682041	BACK ASSM 16 LOW PH Q2 7/8	Q2/2HP
1-8, 1-7, 8A	682042	BACK ASSM 16 MED Q2 7/8	Q2/2HP
1-8, 1-7, 8A	682043	BACK ASSM 16 MED 8D Q2 7/8	Q2/2HP
1-8, 1-7, 8A	682044	BACK ASSM 16 MED PH Q2 7/8	Q2/2HP
1-8, 1-7, 8A	682045	BACK ASSM 16 MED PH 8D Q2 7/8	Q2/2HP
1-8, 1-7, 8A	682046	BACK ASSM 16 TALL Q2 7/8	Q2/2HP
1-8, 1-7, 8A	682047	BACK ASSM 16 TALL 8D Q2 7/8	Q2/2HP
1-8, 1-7, 8A	682048	BACK ASSM 16 TALL PH Q2 7/8	Q2/2HP
1-8, 1-7, 8A	682049	BACK ASSM 16 TALL PH 8D Q2 7/8	Q2/2HP
1-8, 1-7, 8A	682050	BACK ASSM 17 LOW Q2 7/8	Q2/2HP
1-8, 1-7, 8A	682051	BACK ASSM 17 LOW PH Q2 7/8	Q2/2HP
1-8, 1-7, 8A	682052	BACK ASSM 17 MED Q2 7/8	Q2/2HP
1-8, 1-7, 8A	682053	BACK ASSM 17 MED 8D Q2 7/8	Q2/2HP
1-8, 1-7, 8A	682054	BACK ASSM 17 MED PH Q2 7/8	Q2/2HP
1-8, 1-7, 8A	682055	BACK ASSM 17 MED PH 8D Q2 7/8	Q2/2HP
1-8, 1-7, 8A	682056	BACK ASSM 17 TALL Q2 7/8	Q2/2HP
1-8, 1-7, 8A	682057	BACK ASSM 17 TALL 8D Q2 7/8	Q2/2HP
1-8, 1-7, 8A	682058	BACK ASSM 17 TALL PH Q2 7/8	Q2/2HP
1-8, 1-7, 8A	682059	BACK ASSM 17 TALL PH 8D Q2 7/8	Q2/2HP
1-8, 1-7, 8A	682060	BACK ASSM 18 LOW Q2 7/8	Q2/2HP
1-8, 1-7, 8A	682061	BACK ASSM 18 LOW PH Q2 7/8	Q2/2HP
1-8, 1-7, 8A	682062	BACK ASSM 18 MED Q2 7/8	Q2/2HP
1-8, 1-7, 8A	682063	BACK ASSM 18 MED 8D Q2 7/8	Q2/2HP
1-8, 1-7, 8A	682064	BACK ASSM 18 MED PH Q2 7/8	Q2/2HP
1-8, 1-7, 8A	682065	BACK ASSM 18 MED PH 8D Q2 7/8	Q2/2HP
1-8, 1-7, 8A	682066	BACK ASSM 18 TALL Q2 7/8	Q2/2HP
1-8, 1-7, 8A	682067	BACK ASSM 18 TALL 8D Q2 7/8	Q2/2HP
1-8, 1-7, 8A	682068	BACK ASSM 18 TALL PH Q2 7/8	Q2/2HP
1-8, 1-7, 8A	682069	BACK ASSM 18 TALL PH 8D Q2 7/8	Q2/2HP
1-8, 1-7, 8A	682071	BACK ASSM 19 LOW PH Q2 7/8	Q2/2HP
1-8, 1-7, 8A	682072	BACK ASSM 19 MED Q2 7/8	Q2/2HP
1-8, 1-7, 8A	682073	BACK ASSM 19 MED 8D Q2 7/8	Q2/2HP
1-8, 1-7, 8A	682074	BACK ASSM 19 MED PH Q2 7/8	Q2/2HP
1-8, 1-7, 8A	682075	BACK ASSM 19 MED PH 8D Q2 7/8	Q2/2HP
1-8, 1-7, 8A	682076	BACK ASSM 19 TALL Q2 7/8	Q2/2HP

Pos.	Item Number	Description	Remarks
1-8, 1-7, 8A	682077	BACK ASSM 19 TALL 8D Q2 7/8	Q2/2HP
1-8, 1-7, 8A	682078	BACK ASSM 19 TALL PH Q2 7/8	Q2/2HP
1-8, 1-7, 8A	682079	BACK ASSM 19 TALL PH 8D Q2 7/8	Q2/2HP
1-8, 1-7, 8A	682080	BACK ASSM 20 LOW Q2 7/8	Q2/2HP
1-8, 1-7, 8A	682081	BACK ASSM 20 LOW PH Q2 7/8	Q2/2HP
1-8, 1-7, 8A	682082	BACK ASSM 20 MED Q2 7/8	Q2/2HP
1-8, 1-7, 8A	682083	BACK ASSM 20 MED 8D Q2 7/8	Q2/2HP
1-8, 1-7, 8A	682084	BACK ASSM 20 MED PH Q2 7/8	Q2/2HP
1-8, 1-7, 8A	682085	BACK ASSM 20 MED PH 8D Q2 7/8	Q2/2HP
1-8, 1-7, 8A	682086	BACK ASSM 20 TALL Q2 7/8	Q2/2HP
1-8, 1-7, 8A	682087	BACK ASSM 20 TALL 8D Q2 7/8	Q2/2HP
1-8, 1-7, 8A	682088	BACK ASSM 20 TALL PH Q2 7/8	Q2/2HP
1-8, 1-7, 8A	682089	BACK ASSM 20 TALL PH 8D Q2 7/8	Q2/2HP

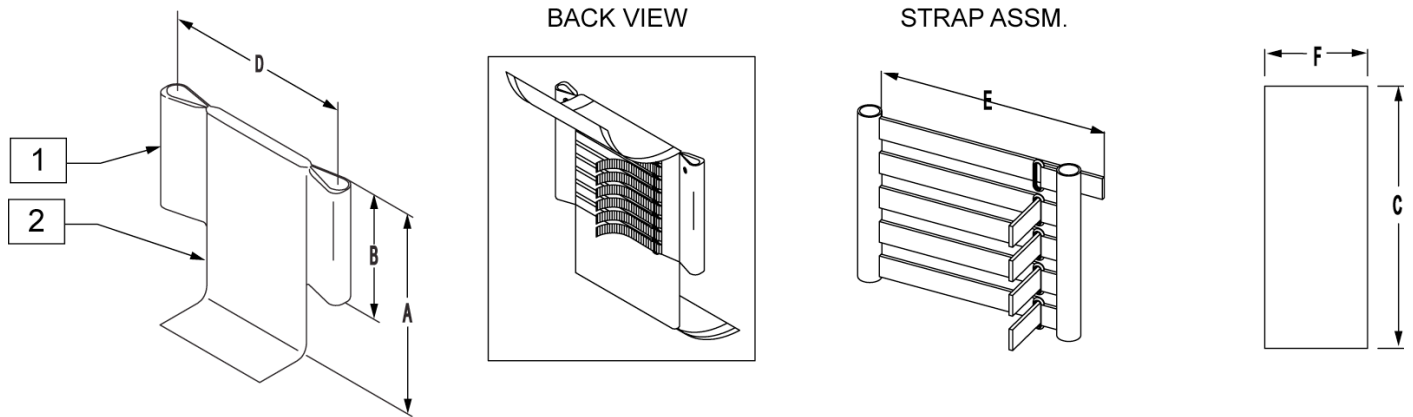
Right Side Shown



Pos.	Item Number	Description	Remarks
2	341017	WASHER ECCENTRIC	
3	202300	1/4-28 NYLOCK NUT THIN BLK	

Pos.	Item Number	Description	Remarks
4	201110-QU	1/4-28 NYLOCK NUT	
5	560661	QUICKIE GRIP 7/8	
7	561083	1 1/8 TUBE END BUSHING THIN	
8	226100	1/4-28 x 3/4 BH C/S	
9A	820723	ADJUSTABLE BACK BRACKET W/ INSERT TUBE	RIGHT
9B	820724	ADJUSTABLE BACK BRACKET W/ INSERT TUBE	LEFT
10	226122	1/4-28 x 1.10 BH C/S	
11	226131	1/4-28 x 1 1/4 BH C/S SHOULDER	
12A	483550	ADJUSTABLE BACK BRACKET ECCENTRIC/RECEIVER	
12B	483557	ADJUSTABLE BACK BRACKET TALL/RECEIVER	
13	226130	1/4-28 x 1 1/2 BH C/S	
14	561013	7/8 CAP	
15	561007	7/8 INSERT PLUG .083	
1, 5-7, 15,16	820730	PUSH HANDLE Q2 LOW ANGLE ADJUSTABLE 7/8	RIGHT
1, 5-7, 15,16	820731	PUSH HANDLE Q2 MED ANGLE ADJUSTABLE 7/8	RIGHT
1, 5-7, 15,16	820732	PUSH HANDLE Q2 TALL ANGLE ADJUSTABLE 7/8	RIGHT
1, 5-7, 15,16	820733	PUSH HANDLE Q2 LOW ANGLE ADJUSTABLE 7/8	LEFT
1, 5-7, 15,16	820734	PUSH HANDLE Q2 MED ANGLE ADJUSTABLE 7/8	LEFT
1, 5-7, 15, 16	820735	PUSH HANDLE Q2 TALL ANGLE ADJUSTABLE 7/8	LEFT
6, 7, 14-17	820736	BACK TUBE Q2 LOW ADJUSTABLE ANGLE 7/8	RIGHT
6, 7, 14-17	820737	BACK TUBE Q2 MED ADJUSTABLE ANGLE 7/8	RIGHT
6, 7, 14-17	820738	BACK TUBE Q2 TALL ADJUSTABLE ANGLE 7/8	RIGHT
6, 7, 14-17	820739	BACK TUBE Q2 LOW ADJUSTABLE ANGLE 7/8	LEFT
6, 7, 14-17	820740	BACK TUBE Q2 MED ADJUSTABLE ANGLE 7/8	LEFT
6, 7, 14-17	820741	BACK TUBE Q2 TALL ADJUSTABLE ANGLE 7/8	LEFT
2-3, 10-12	820742	BACK TUBE Q2 ANGLE ADJUSTABLE	LEFT
2-3, 10-12	820744	BACK TUBE Q2 ANGLE ADJUSTABLE	RIGHT
2, 3, 10-12B	820743	BACK TUBE Q2 ANGLE ADJUSTABLE TALL	RIGHT
2, 3, 10-12B	820745	BACK TUBE Q2 ANGLE ADJUSTABLE TALL	LEFT

ADJUSTABLE BACK UPHOLSTERY

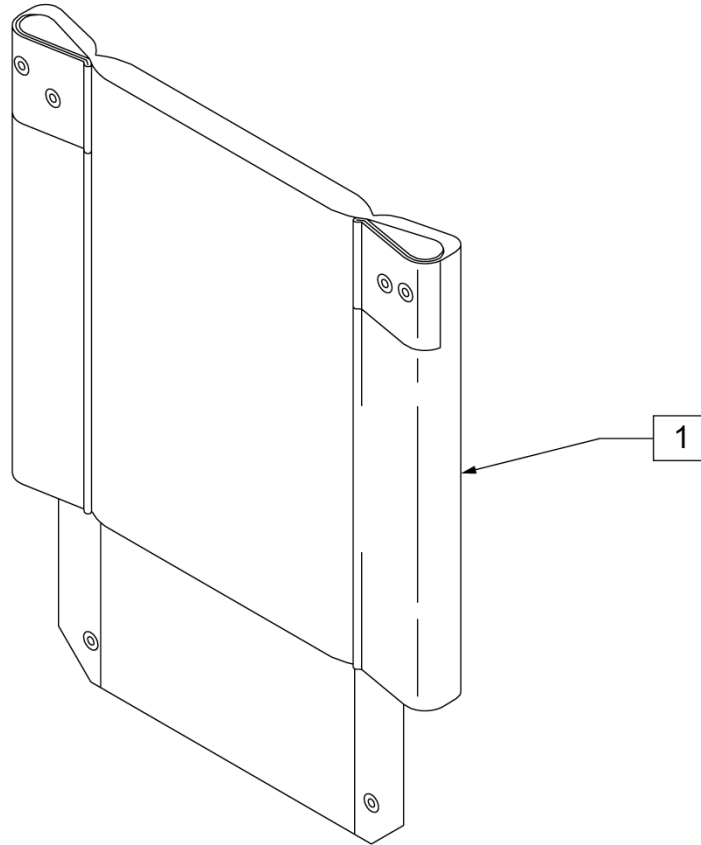


HEIGHT TABLE		STRAP ASSM.		PAD ASSM.
	BACK HEIGHT "A"	NO. OF STRAPS	HEIGHT "B"	LENGTH "C"
LOW	11-14"	5	6 1/2"	25"
MED	12-16"	6	8 1/2"	29"
TALL	14-18"	8	10 1/2"	33"
X-TALL	16-20"	9	12 1/2"	37"

HEIGHT TABLE		WIDTH "D"					
		SMALL 10-12"	MED 12-14"	LARGE 14-16"	X-LARGE 16-18"	X-LARGE 18-20"	X-LARGE 20-22"
STRAP ASSM	STRAP LENGTH "E"	9 1/2"	13 1/2"	17 1/2"	17 1/2"	21 1/2"	21 1/2"
PAD ASSM	WIDTH "F"	8"	10"	12"	14"	16"	18"

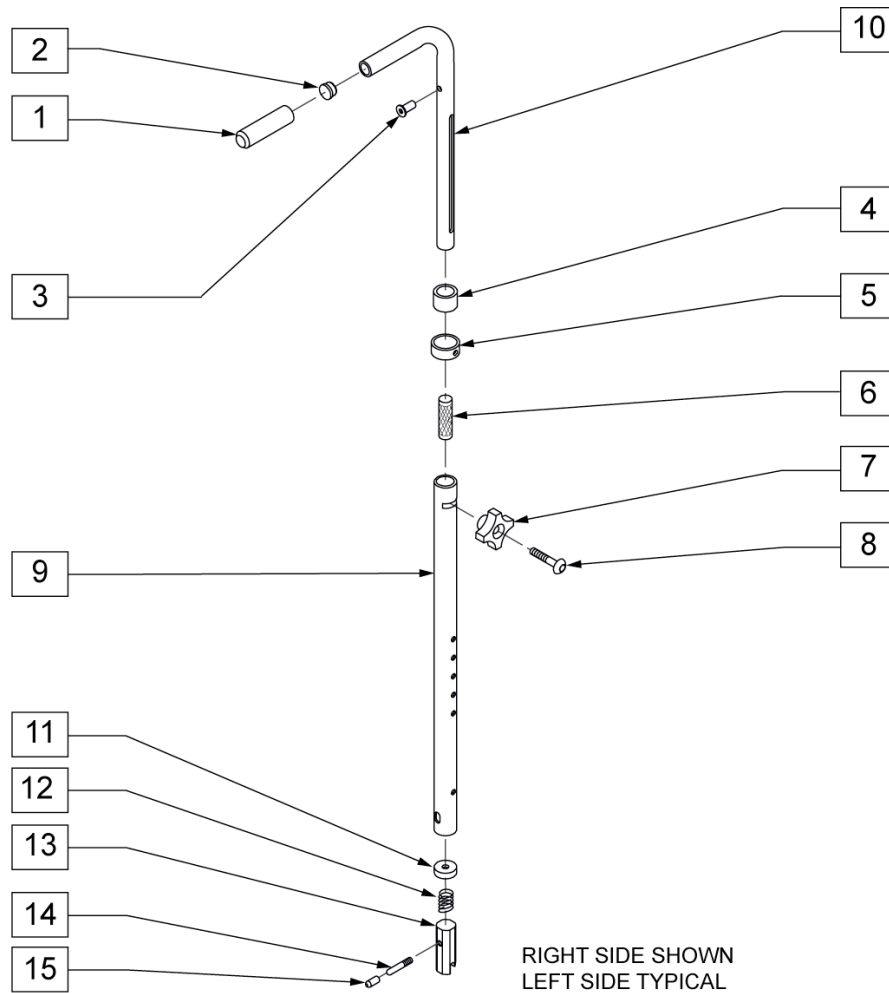
Pos.	Item Number	Description	Remarks
1	680230	GROWING ADJ BACK UPHOLSTERY 10-12 SHORT ZGS	
1	680231	GROWING ADJ BACK UPHOLSTERY 10-12 MEDIUM ZGS	
1	680232	GROWING ADJ BACK UPHOLSTERY 10-12 TALL ZGS	
1	680233	GROWING ADJ BACK UPHOLSTERY 12-14 SHORT ZGS	
1	680234	GROWING ADJ BACK UPHOLSTERY 12-14 MEDIUM ZGS	
1	680235	GROWING ADJ BACK UPHOLSTERY 12-14 TALL ZGS	
1	680236	GROWING ADJ BACK UPHOLSTERY 14-16 SHORT ZGS	
1	680237	GROWING ADJ BACK UPHOLSTERY 14-16 MEDIUM ZGS	
1	680238	GROWING ADJ BACK UPHOLSTERY 14-16 TALL ZGS	
2	684480	ADJUSTABLE BACK STRAP COVER 10-12 SHORT ZGS	
2	684481	ADJUSTABLE BACK STRAP COVER 10-12 MEDIUM ZGS	
2	684482	ADJUSTABLE BACK STRAP COVER 10-12 TALL ZGS	
2	684483	ADJUSTABLE BACK STRAP COVER 12-14 SHORT ZGS	
2	684484	ADJUSTABLE BACK STRAP COVER 12-14 MEDIUM ZGS	
2	684485	ADJUSTABLE BACK STRAP COVER 12-14 TALL ZGS	
2	684486	ADJUSTABLE BACK STRAP COVER 14-16 SHORT ZGS	
2	684487	ADJUSTABLE BACK STRAP COVER 14-16 MEDIUM ZGS	
2	684488	ADJUSTABLE BACK STRAP COVER 14-16 TALL ZGS	

HEAVY DUTY BACK UPHOLSTERY



Pos.	Item Number	Description	Remarks
1	680370	BACK UPHOLSTERY 18 LOW Q2 H/D	
1	680371	BACK UPHOLSTERY 18 MED Q2 H/D	
1	680372	BACK UPHOLSTERY 18 HIGH Q2 H/D	
1	680373	BACK UPHOLSTERY 19 LOW Q2 H/D	
1	680374	BACK UPHOLSTERY 19 MED Q2 H/D	
1	680375	BACK UPHOLSTERY 19 HIGH Q2 H/D	
1	680376	BACK UPHOLSTERY 20 LOW Q2 H/D	
1	680377	BACK UPHOLSTERY 20 MED Q2 H/D	
1	680378	BACK UPHOLSTERY 20 HIGH Q2 H/D	
1	680379	BACK UPHOLSTERY 21 LOW Q2 H/D	
1	680380	BACK UPHOLSTERY 21 MED Q2 H/D	
1	680381	BACK UPHOLSTERY 21 HIGH Q2 H/D	
1	680382	BACK UPHOLSTERY 22 LOW Q2 H/D	
1	680383	BACK UPHOLSTERY 22 MED Q2 H/D	
1	680384	BACK UPHOLSTERY 22 HIGH Q2 H/D	

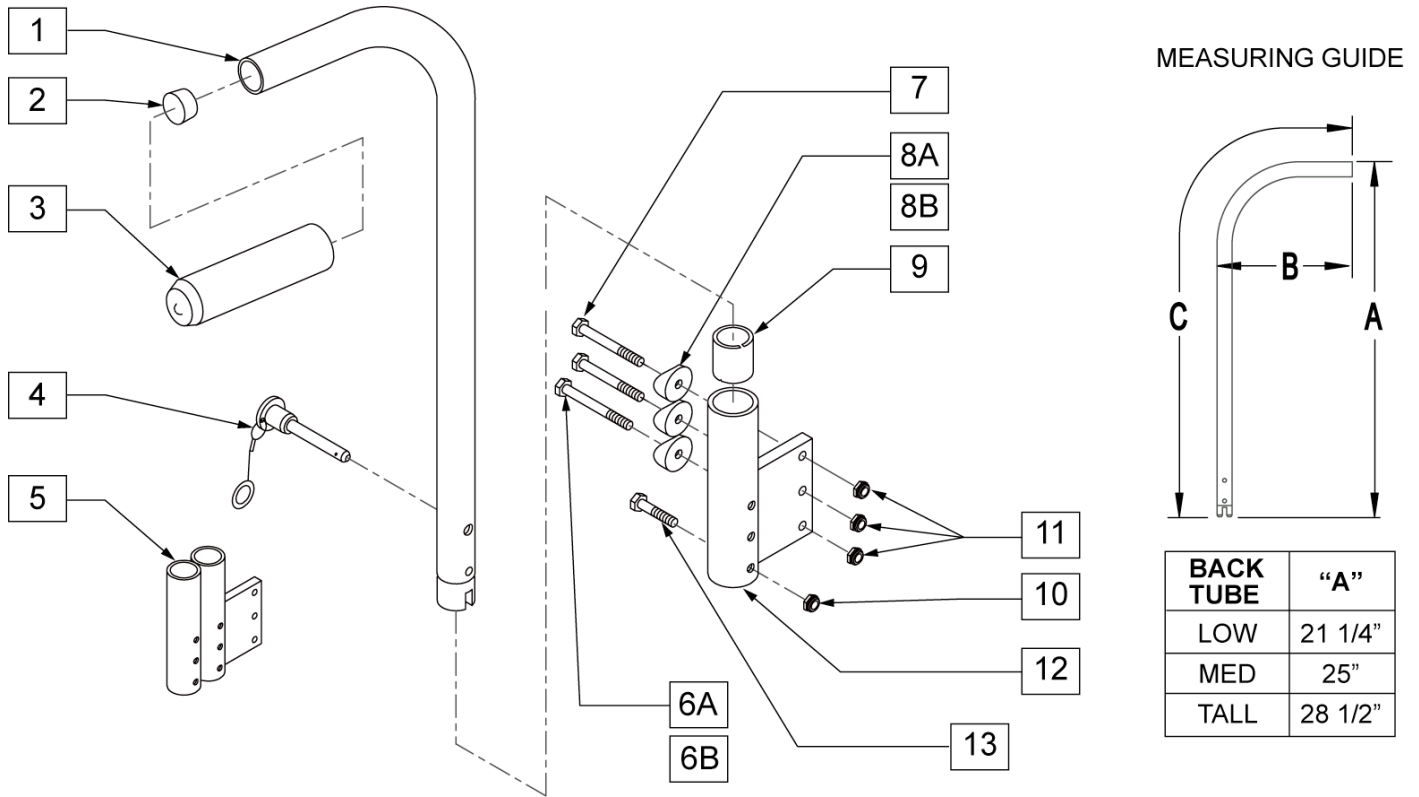
SWING-AWAY ADJUSTABLE STROLLER HANDLE



Pos.	Item Number	Description	Remarks
1	560662	QUICKIE GRIP 1 W/ HOLE	
4	561082	1 TUBE END BUSHING THIN	
5	483096	S/A ADJUSTABLE STROLLER RING ZP/QT	
6	483095	S/A ADJUSTABLE STROLLER INSERT ZP/QT	
7	349018	KNOB S/A ADJUSTABLE STROLLER ZP	
8	226136	1/4-20 x 1 1/2 BH C/S BLK	
11	483021	S/A SPRING RETAINER	
12	321110	S/A LATCH SPRING	
13	483091	BACK RELEASE LATCH	RIGHT
14	481084	BACK RELEASE PIN Z2/QT/EX	LEFT
15	560502	ANTI-TIP LEVER COVER	
1-10	842082	S/A ADJUSTABLE STROLLER HANDLE W/ FOAM	RIGHT
1-10	842083	S/A ADJUSTABLE STROLLER HANDLE W/ FOAM	LEFT
1-10	920306	S/A ADJUSTABLE STROLLER HANDLES W/ FOAM	PAIR
11-15	920291	BACKREST SLIDER LATCH KIT	

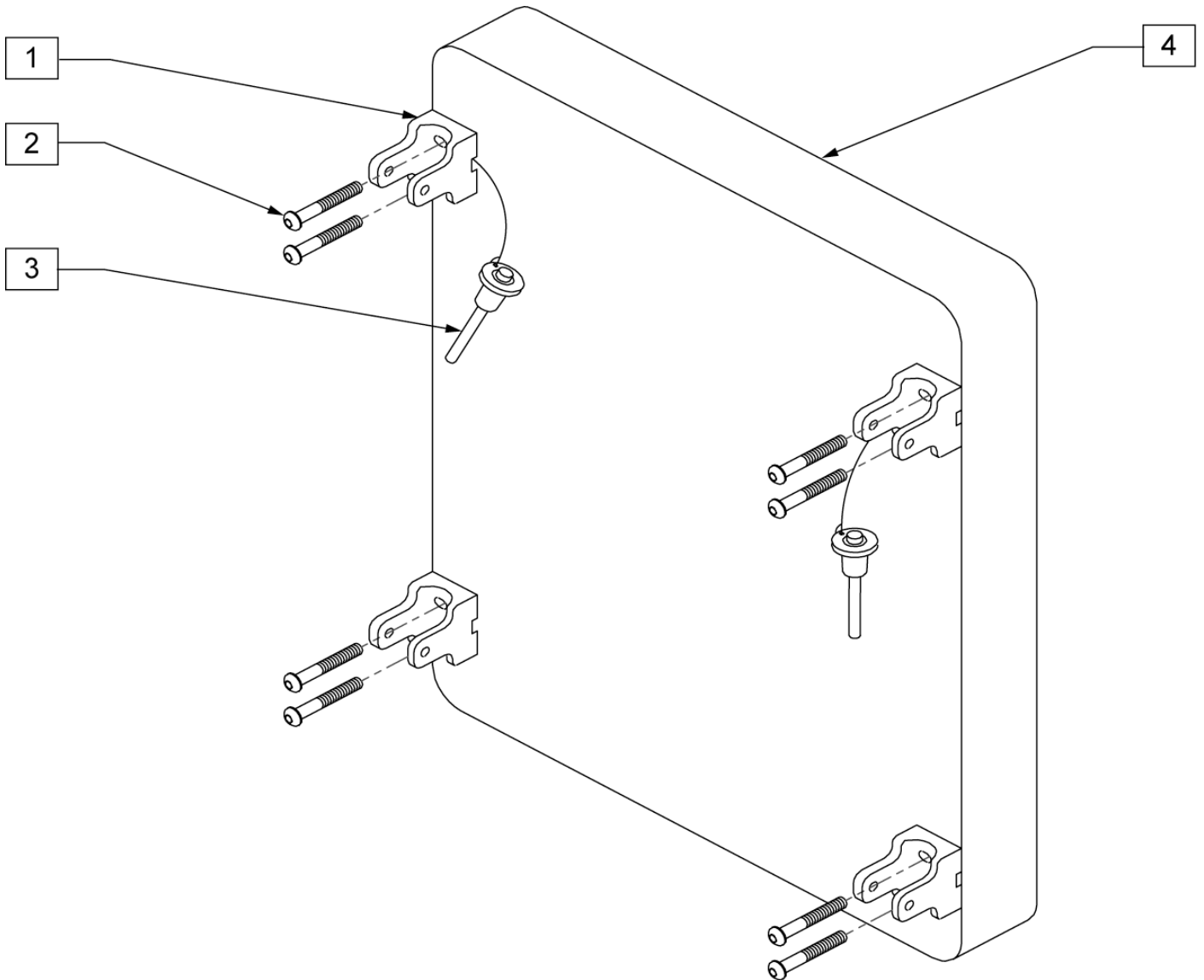
REMOVABLE STROLLER HANDLE

(07/2007)



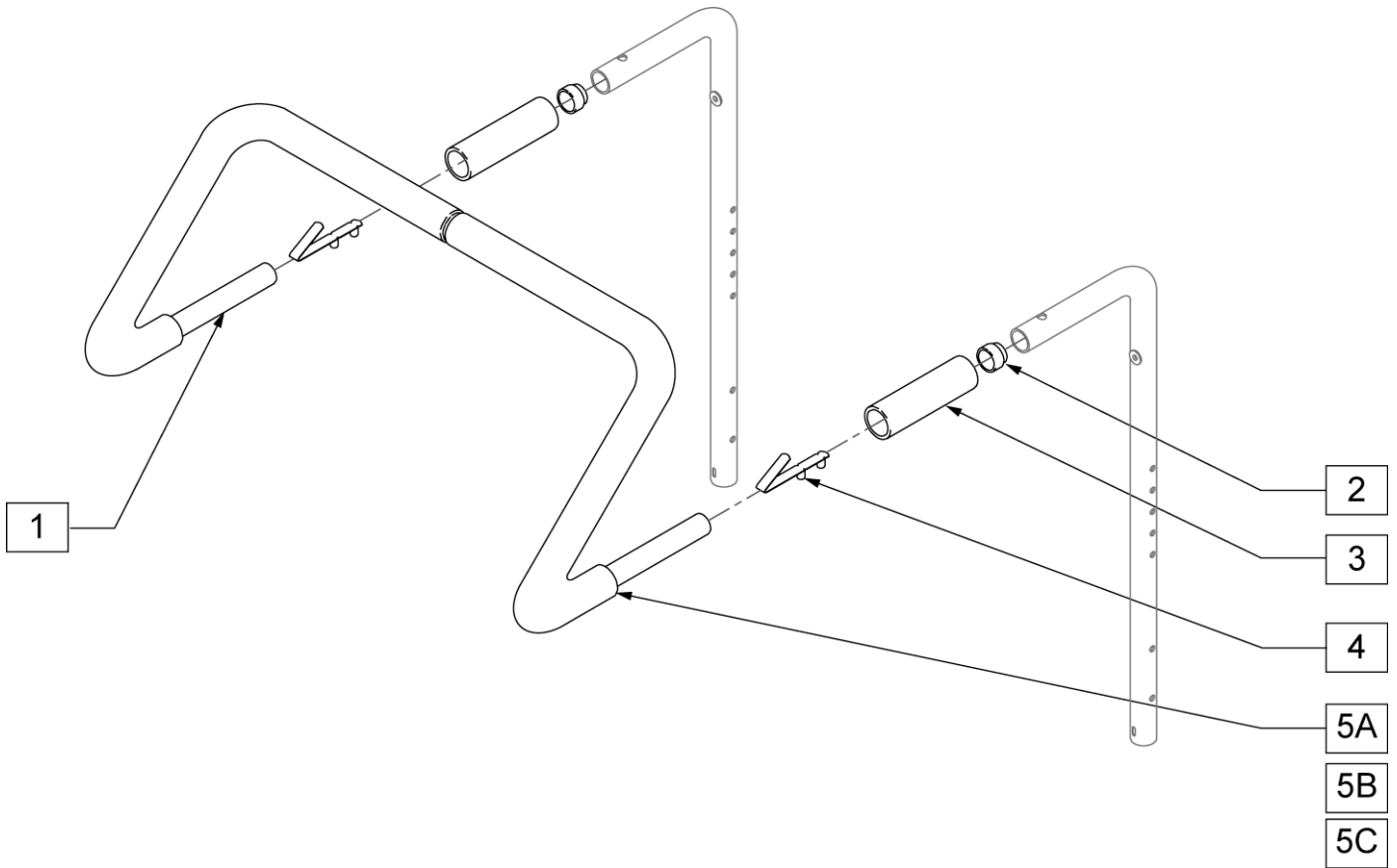
Pos.	Item Number	Description	Remarks
2	561002	1" INSERT PLUG .083	
3	920070	9 x .940 x .200 FOAM GRIP	
4	349020	STROLLER HANDLE RELEASE PIN	
6B	221192	1/4-28 x 2 G8 HEX C/S	
6A	221151-QU	1/4-28 x 1 3/4 G8 HEX C/S	
7	221191	1/4-28 x 2 1/4 G8 HEX C/S	
8A	561004	1" SADDLE 1/4 HOLE	Straight Rear Side Frames and DAB Frames
8B	561001	1 - 1/8 SADDLE 1/4 HOLE	Curved Rear Side Frames
9	560400	1" I.D. NY-LINER	
10	201100-QU	1/4-28 NYLOCK NUT THIN	
11	201110-QU	1/4-28 NYLOCK NUT	
13	221133	1/4-28 x 1 1/2 G8 HEX C/S	
5A	540130	PADDED ARM RECEIVER STRAIGHT DOUBLE FOLDING FRAME	RIGHT
5B	540132	PADDED ARM RECEIVER STRAIGHT DOUBLE FOLDING FRAME	LEFT
12A	540100	PADDED ARM RECEIVER STRAIGHT FOLDING FRAME	RIGHT
12B	540102	PADDED ARM RECEIVER STRAIGHT FOLDING FRAME	LEFT
1-3, 14, 15	880360	STROLLER HANDLE REGULAR STRAIGHT FOLDING	
1-3, 14, 15	880362	STROLLER HANDLE TALL STRAIGHT FOLDING	
1-3, 14, 15	900420	STROLLER HANDLES REGULAR FOLDING	PAIR
1-3, 14, 15	900421	STROLLER HANDLES TALL FOLDING	PAIR
4, 6-13	900500	STROLLER RECEIVER SINGLE CYL F 3/4	PAIR

Pos.	Item Number	Description	Remarks
4, 6B, 7, 8B, 9-13	900502	STROLLER RECEIVER SINGLE CYL FOLDING FRAME 7/8	PAIR
4-11, 13	900501	ARM/STROLLER RECEIVER DOUBLE CYL F 3/4	PAIR
4, 5, 6B, 7, 8B, 9-11, 13	900503	ARM/STROLLER RECEIVER DOUBLE CYL F 7/8	PAIR



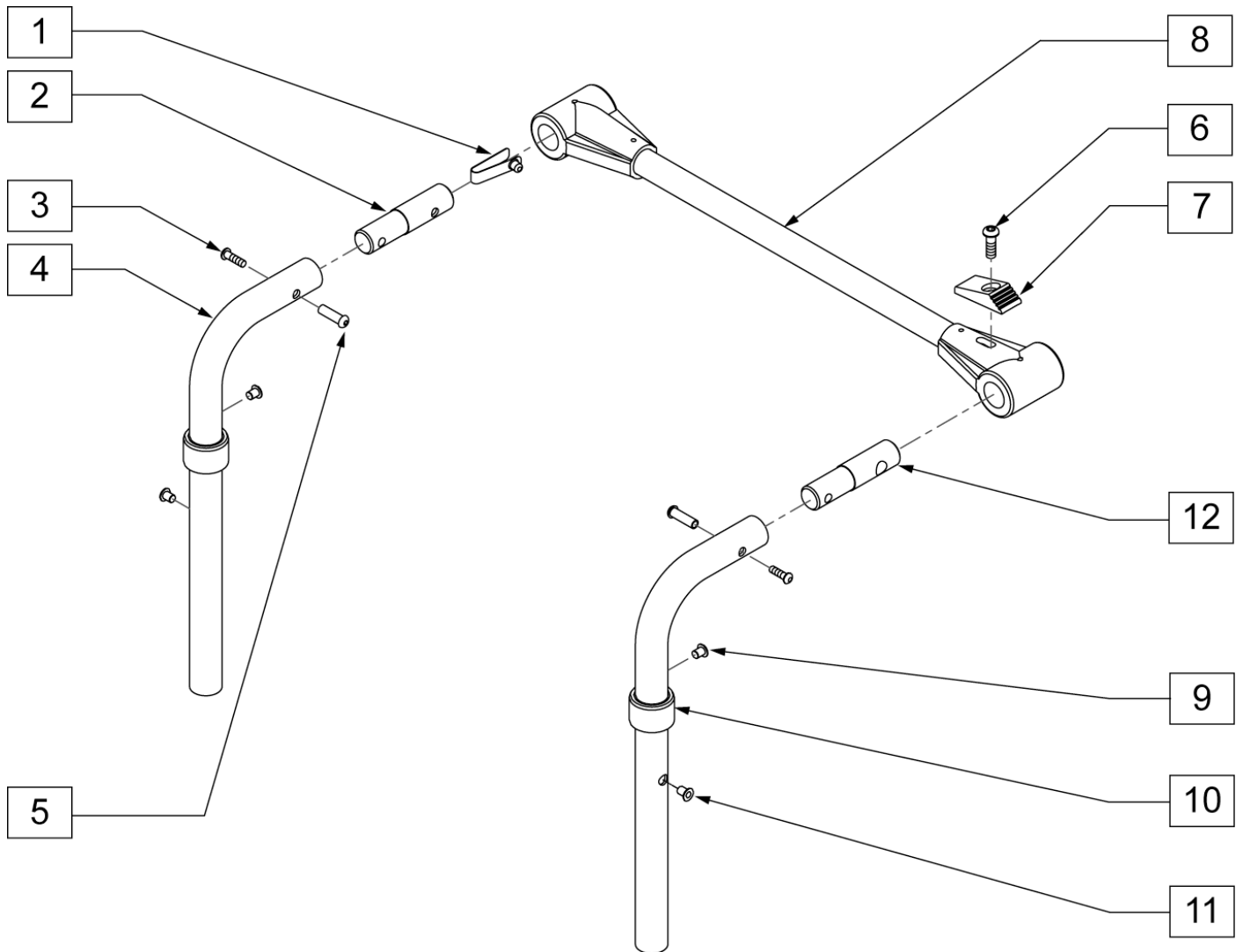
Pos.	Item Number	Description	Remarks	Pos.	Item Number	Description	Remarks
1	562609	BRACKET SEAT QTS/BACK Z2		4	733002	PLY BACK BLK Q2 DEPTH 13 x 12	
2	226101	1/4-20 x 3/4 BH C/S		4	733003	PLY BACK BLK Q2 DEPTH 14 x 12	
3	349020	STROLLER HANDLE RELEASE PIN		4	733004	PLY BACK BLK Q2 DEPTH 15 x 12	
1-3	920350	Q2 DEPTH ADJ BACK HARDWARE KIT		4	733005	PLY BACK BLK Q2 DEPTH 16 x 12	
4	731480	PLY BACK BLK Q2 DEPTH 11 x 20		4	733006	PLY BACK BLK Q2 DEPTH 17 x 12	
4	731481	PLY BACK BLK Q2 DEPTH 12 x 20		4	733007	PLY BACK BLK Q2 DEPTH 18 x 12	
4	731482	PLY BACK BLK Q2 DEPTH 13 x 20		4	733008	PLY BACK BLK Q2 DEPTH 19 x 12	
4	731483	PLY BACK BLK Q2 DEPTH 14 x 20		4	733009	PLY BACK BLK Q2 DEPTH 20 x 12	
4	731484	PLY BACK BLK Q2 DEPTH 15 x 20		4	733010	PLY BACK BLK Q2 DEPTH 11 x 14	
4	731485	PLY BACK BLK Q2 DEPTH 16 x 20		4	733011	PLY BACK BLK Q2 DEPTH 12 x 14	
4	731486	PLY BACK BLK Q2 DEPTH 17 x 20		4	733012	PLY BACK BLK Q2 DEPTH 13 x 14	
4	731487	PLY BACK BLK Q2 DEPTH 18 x 20		4	733013	PLY BACK BLK Q2 DEPTH 14 x 14	
4	731488	PLY BACK BLK Q2 DEPTH 19 x 20		4	733014	PLY BACK BLK Q2 DEPTH 15 x 14	
4	731489	PLY BACK BLK Q2 DEPTH 20 x 20		4	733015	PLY BACK BLK Q2 DEPTH 16 x 14	
4	733000	PLY BACK BLK Q2 DEPTH 11 x 12		4	733016	PLY BACK BLK Q2 DEPTH 17 x 14	
4	733001	PLY BACK BLK Q2 DEPTH 12 x 12		4	733017	PLY BACK BLK Q2 DEPTH 18 x 14	

Pos.	Item Number	Description	Remarks	Pos.	Item Number	Description	Remarks
4	733018	PLY BACK BLK Q2 DEPTH 19 x 14		1-4	681104	PLY BACK ASSM BLK Q2 DAB 15 x 20	
4	733019	PLY BACK BLK Q2 DEPTH 20 x 14		1-4	681105	PLY BACK ASSM BLK Q2 DAB 16 x 20	
4	733020	PLY BACK BLK Q2 DEPTH 11 x 16		1-4	681106	PLY BACK ASSM BLK Q2 DAB 17 x 20	
4	733021	PLY BACK BLK Q2 DEPTH 12 x 16		1-4	681107	PLY BACK ASSM BLK Q2 DAB 18 x 20	
4	733022	PLY BACK BLK Q2 DEPTH 13 x 16		1-4	681108	PLY BACK ASSM BLK Q2 DAB 19 x 20	
4	733023	PLY BACK BLK Q2 DEPTH 14 x 16		1-4	681109	PLY BACK ASSM BLK Q2 DAB 20 x 20	
4	733024	PLY BACK BLK Q2 DEPTH 15 x 16		1-4	681321	PLY BACK ASSM BLK Q2 DAB 11 x 12	
4	733025	PLY BACK BLK Q2 DEPTH 16 x 16		1-4	681322	PLY BACK ASSM BLK Q2 DAB 11 x 14	
4	733026	PLY BACK BLK Q2 DEPTH 17 x 16		1-4	681323	PLY BACK ASSM BLK Q2 DAB 11 x 16	
4	733026	PLY BACK BLK Q2 DEPTH 18 x 16		1-4	681324	PLY BACK ASSM BLK Q2 DAB 11 x 18	
4	733028	PLY BACK BLK Q2 DEPTH 19 x 16		1-4	681325	PLY BACK ASSM BLK Q2 DAB 12 x 12	
4	733029	PLY BACK BLK Q2 DEPTH 20 x 16		1-4	681326	PLY BACK ASSM BLK Q2 DAB 12 x 14	
4	733030	PLY BACK BLK Q2 DEPTH 11 x 18		1-4	681327	PLY BACK ASSM BLK Q2 DAB 12 x 16	
4	733031	PLY BACK BLK Q2 DEPTH 12 x 18		1-4	681328	PLY BACK ASSM BLK Q2 DAB 12 x 18	
4	733032	PLY BACK BLK Q2 DEPTH 13 x 18		1-4	681329	PLY BACK ASSM BLK Q2 DAB 13 x 12	
1-4	681100	PLY BACK ASSM BLK Q2 DAB 11 x 20		1-4	681330	PLY BACK ASSM BLK Q2 DAB 13 x 14	
1-4	681101	PLY BACK ASSM BLK Q2 DAB 12 x 20		1-4	681331	PLY BACK ASSM BLK Q2 DAB 13 x 16	
1-4	681102	PLY BACK ASSM BLK Q2 DAB 13 x 20		1-4	681332	PLY BACK ASSM BLK Q2 DAB 13 x 18	
1-4	681103	PLY BACK ASSM BLK Q2 DAB 14 x 20					



Pos.	Item Number	Description	Remarks
2	562082	1 TUBE END BUSHING THIN	
4	301108	5/16 SNAP BUTTON DUAL ONE SIDE	
1-5A	842050	STROLLER EXTENSION ASSM 10	
1-5A	842051	STROLLER EXTENSION ASSM 11	
1-5A	842052	STROLLER EXTENSION ASSM 12	
1-5A	842053	STROLLER EXTENSION ASSM 13	
1-4, 5B	842054	STROLLER EXTENSION ASSM 14	
1-4, 5B	842055	STROLLER EXTENSION ASSM 15	
1-4, 5B	842056	STROLLER EXTENSION ASSM 16	
1-4, 5B	842057	STROLLER EXTENSION ASSM 17	
1-4, 5C	842058	STROLLER EXTENSION ASSM 18	
1-4, 5C	842059	STROLLER EXTENSION ASSM 19	
1-4, 5C	842063	STROLLER EXTENSION ASSM 20	

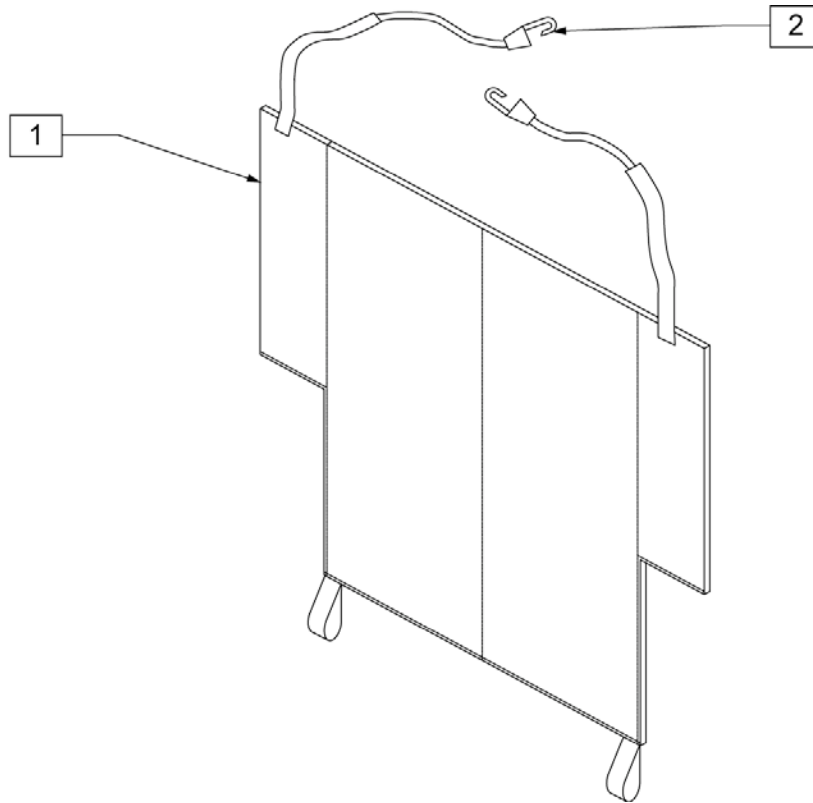
BACKREST STABILIZER BAR



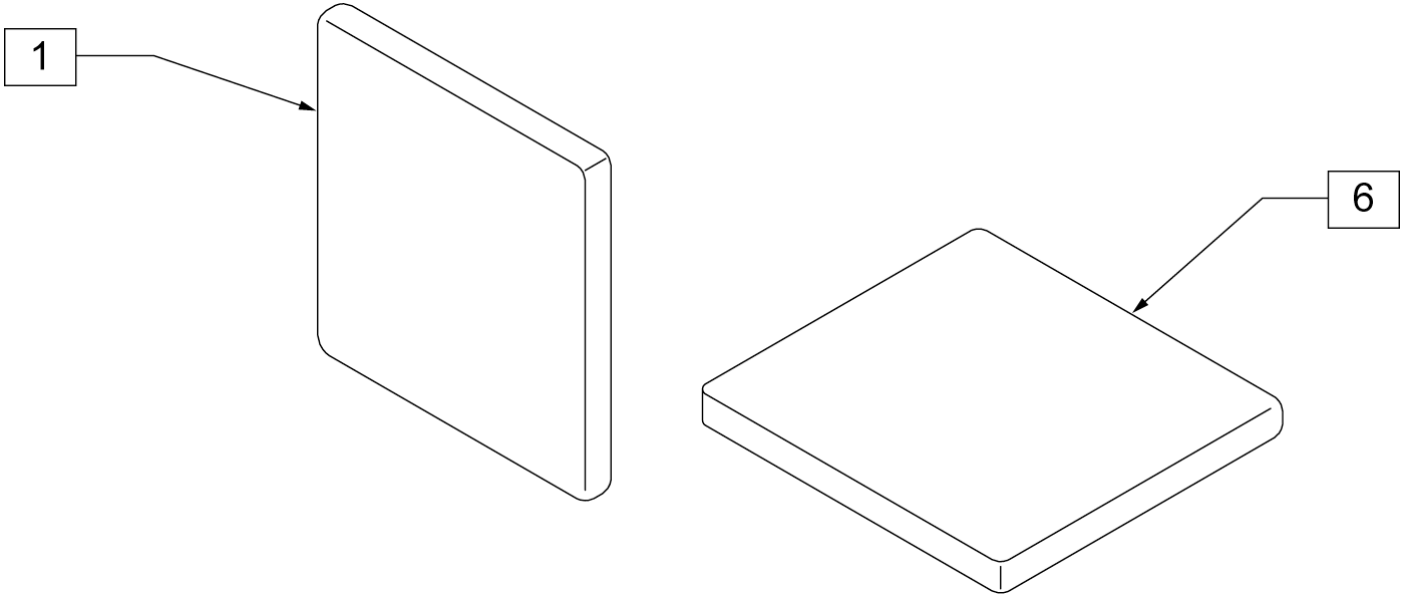
Pos.	Item Number	Description	Remarks
1	301100	1/4 SNAP BUTTON SINGLE	
2	483533	STABILIZER BAR PIVOT PIN Q2	
3	226020	10-32 x 5/8 BH C/S BLK	
4	885015	STABILIZER PIN ASSM	
5	221213	10-32 x 7/8 HEX SEX BOLT QTNT	
10	561083	1-1/8 TUBE END BUSHING THIN	
12	483534	STABILIZER BAR LOCKING PIN Q2	
6-8	820693	STABILIZER CROSS BAR ASSM 12	
6-8	820694	STABILIZER CROSS BAR ASSM 13	
6-8	820695	STABILIZER CROSS BAR ASSM 14	
6-8	820696	STABILIZER CROSS BAR ASSM 15	
6-8	820697	STABILIZER CROSS BAR ASSM 16	
6-8	820698	STABILIZER CROSS BAR ASSM 17	
6-8	820700	STABILIZER CROSS BAR ASSM 18	
6-8	820701	STABILIZER CROSS BAR ASSM 19	
6-8	820702	STABILIZER CROSS BAR ASSM 20	
6-8	820703	STABILIZER CROSS BAR ASSM 21	
6-8	820704	STABILIZER CROSS BAR ASSM 22	
4, 9-11	820710	PUSH HANDLE Q2 ADJ LOW W/ STABILIZER	RIGHT USED W/Q2 ANGLE ADJ BACKREST

Pos.	Item Number	Description	Remarks
4, 9-11	820711	PUSH HANDLE Q2 ADJ MED W/ STABILIZER	RIGHT USED W/Q2 ANGLE ADJ BACKREST
4, 9-11	820712	PUSH HANDLE Q2 ADJ TALL W/ STABILIZER	RIGHT USED W/Q2 ANGLE ADJ BACKREST
4, 9-11	820713	PUSH HANDLE Q2 ADJ LOW W/ STABILIZER	LEFT USED W/Q2 ANGLE ADJ BACKREST
4, 9-11	820714	PUSH HANDLE Q2 ADJ MED W/ STABILIZER	LEFT USED W/Q2 ANGLE ADJ BACKREST
4, 9-11	820715	PUSH HANDLE Q2 ADJ TALL W/ STABILIZER	LEFT USED W/Q2 ANGLE ADJ BACKREST
4, 9	820720	PUSH HANDLE LOW W/ STABILIZER	USED W/Q2 STANDARD
4, 9	820721	PUSH HANDLE MED W/ STABILIZER	USED W/Q2 STANDARD
4, 9	820722	PUSH HANDLE TALL W/ STABILIZER	USED W/Q2 STANDARD
4, 9	820726	PUSH HANDLE 8D MED W/ STABILIZER	USED W/Q2 STANDARD
4, 9	820727	PUSH HANDLE 8D TALL W/ STABILIZER	USED W/Q2 STANDARD

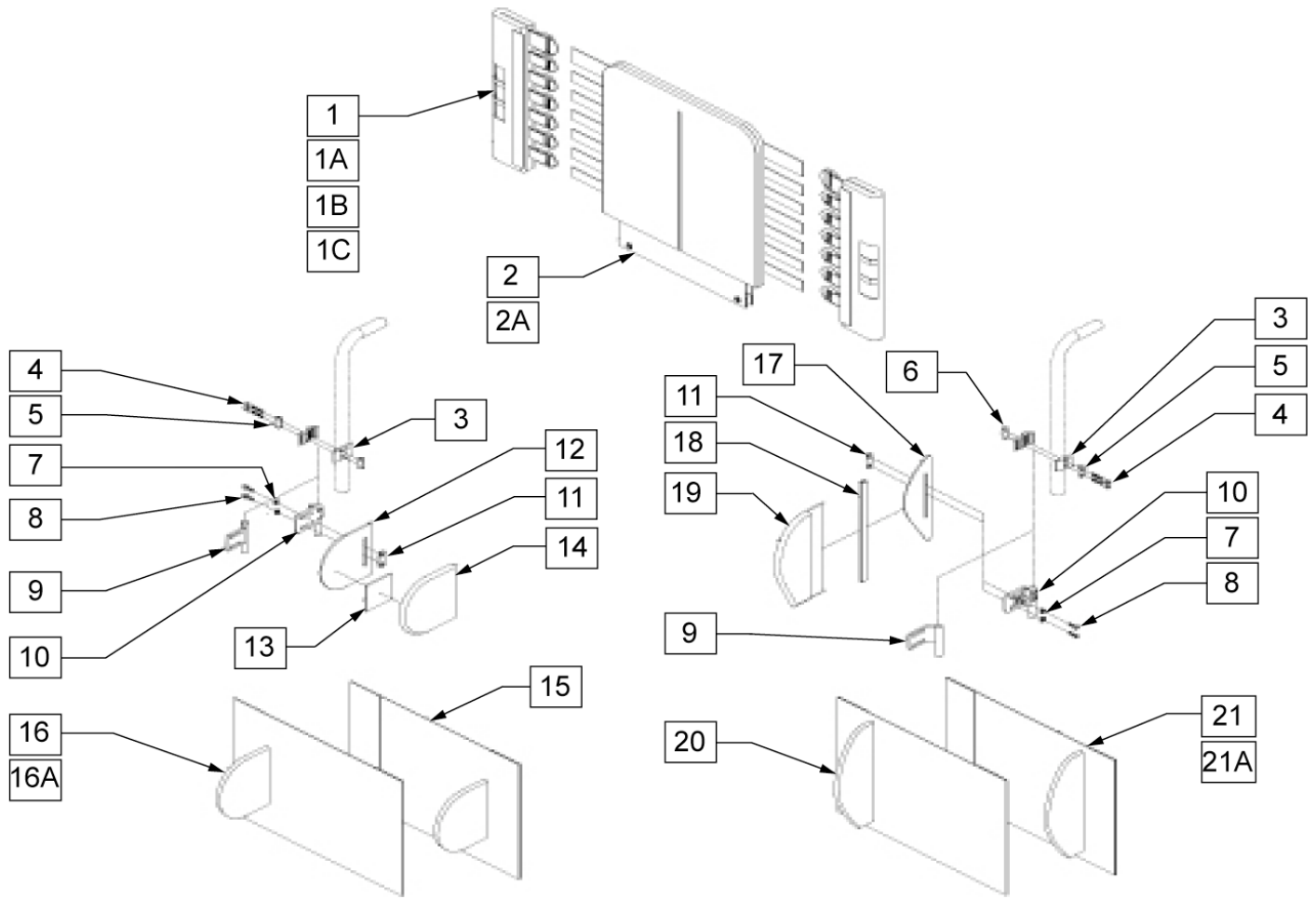
BACKREST CUSHION



Pos.	Item Number	Description	Remarks	Pos.	Item Number	Description	Remarks
1,2	750600	BACK CUSHION 12 LOW Q2		1,2	750644	BACK CUSHION 16 TALL Q2	
1,2	750602	BACK CUSHION 12 MED Q2		1,2	750650	BACK CUSHION 17 LOW Q2	
1,2	750604	BACK CUSHION 12 TALL Q2		1,2	750652	BACK CUSHION 17 MED Q2	
1,2	750610	BACK CUSHION 13 LOW Q2		1,2	750654	BACK CUSHION 17 TALL Q2	
1,2	750612	BACK CUSHION 13 MED Q2		1,2	750660	BACK CUSHION 18 LOW Q2	
1,2	750614	BACK CUSHION 13 TALL Q2		1,2	750662	BACK CUSHION 18 MED Q2	
1,2	750620	BACK CUSHION 14 LOW Q2		1,2	750664	BACK CUSHION 18 TALL Q2	
1,2	750622	BACK CUSHION 14 MED Q2		1,2	750670	BACK CUSHION 19 LOW Q2	
1,2	750624	BACK CUSHION 14 TALL Q2		1,2	750672	BACK CUSHION 19 MED Q2	
1,2	750630	BACK CUSHION 15 LOW Q2		1,2	750674	BACK CUSHION 19 TALL Q2	
1,2	750632	BACK CUSHION 15 MED Q2		1,2	750680	BACK CUSHION 20 LOW Q2	
1,2	750634	BACK CUSHION 15 TALL Q2		1,2	750682	BACK CUSHION 20 MED Q2	
1,2	750640	BACK CUSHION 16 LOW Q2		1,2	750684	BACK CUSHION 20 TALL Q2	
1,2	750642	BACK CUSHION 16 MED Q2		2	560230	PLASTIC HOOKS ACW #705	



Pos.	Item Number	Description	Remarks
1	450780	REMOVEABLE R-BACK INSERT 16 - 20	SPECIFY DIMENSIONS
2	450781	REMOVEABLE SEAT INSERT 16 -20	SPECIFY DIMENSIONS



Pos.	Item Number	Description	Remarks
1A	683358	JAY BACK UPH BACK CANE COVER MEDIUM	LEFT
1A	683360	JAY BACK UPH BACK CANE COVER MEDIUM	RIGHT
1B	683357	JAY BACK UPH BACK CANE COVER TALL	LEFT
1B	683359	JAY BACK UPH BACK CANE COVER TALL	RIGHT
1C	683362	JAY BACK UPH BACK CANE COVER NO LATERAL MEDIUM	LEFT
1C	683364	JAY BACK UPH BACK CANE COVER NO LATERAL MEDIUM	RIGHT
1D	683361	JAY BACK UPH BACK CANE COVER NO LATERAL TALL	LEFT
1D	683363	JAY BACK UPH BACK CANE COVER NO LATERAL TALL	RIGHT
2A	683305	JAY BACK UPH 14W MEDIUM	
2A	683307	JAY BACK UPH 15W MEDIUM	
2A	683309	JAY BACK UPH 16W MEDIUM	
2A	683311	JAY BACK UPH 17W MEDIUM	
2A	683313	JAY BACK UPH 18W MEDIUM	
2A	683315	JAY BACK UPH 19W MEDIUM	
2A	683317	JAY BACK UPH 20W MEDIUM	
2B	683306	JAY BACK UPH 14W TALL	
2B	683308	JAY BACK UPH 15W TALL	
2B	683310	JAY BACK UPH 16W TALL	
2B	683312	JAY BACK UPH 17W TALL	
2B	683314	JAY BACK UPH 18W TALL	
2B	683316	JAY BACK UPH 19W TALL	
2B	683318	JAY BACK UPH 20W TALL	

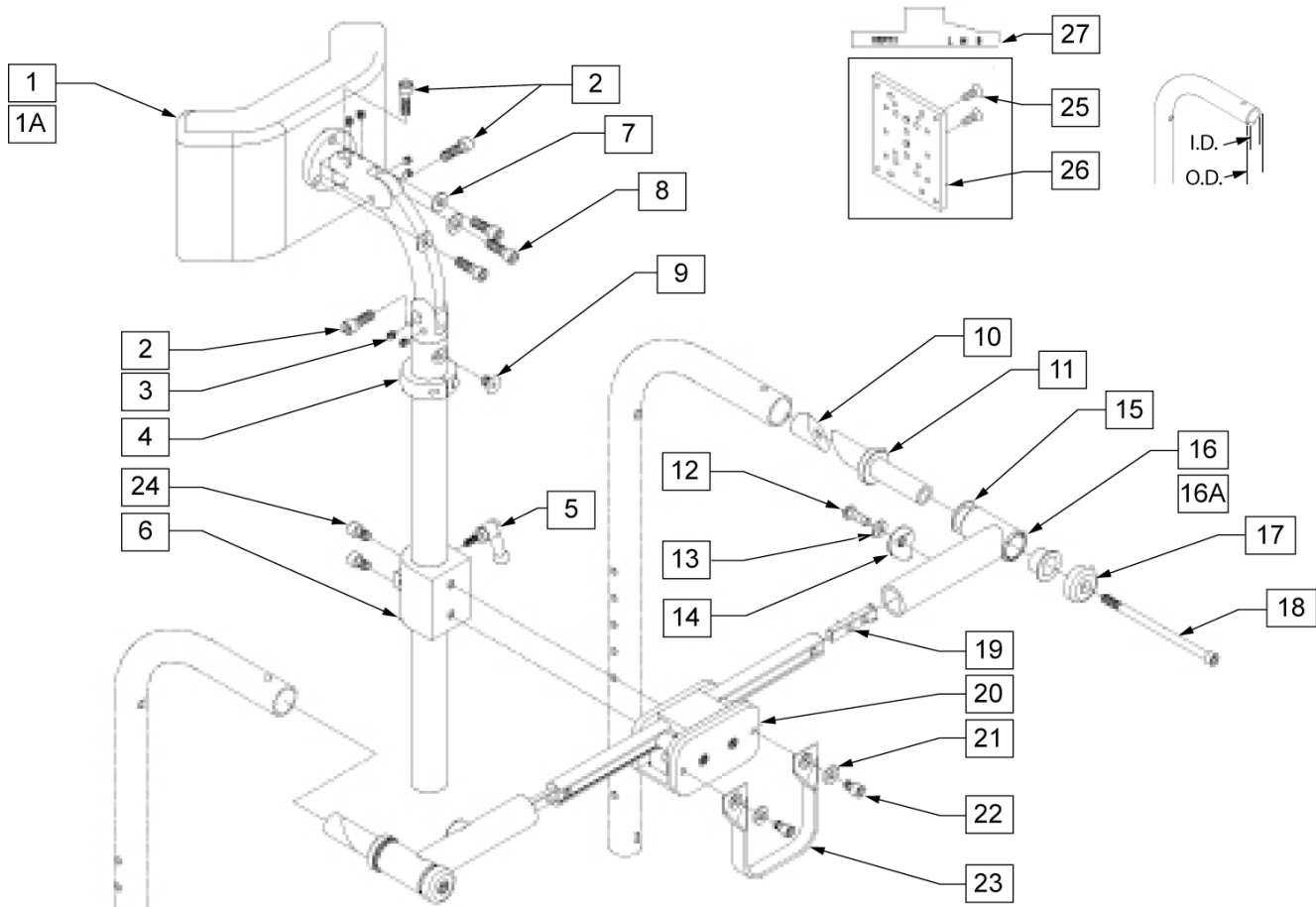
Pos.	Item Number	Description	Remarks
3	481800	UNI LATERAL BRKT JAY PRECISION	
4	226353	10-32 X 1 1/2 SOC HD C/S W/PL	
5	481810	UNI LATERAL BRKT SCR ROLL PIN	
6	481811	LATERAL BRKT PREC THD-ROLL PIN	
7	261204	#10 AN WASHER .063	
8	226043	10-32 x 1/2 BH C/S BL	
9	541144	LATERAL BRKT 1.5 W WLDMNT	RIGHT
9	541145	LATERAL BRKT 1.5 W WLDMNT	LEFT
10	881738	S/A ASSM JAY PRECISION	RIGHT
10	881739	S/A ASSM JAY PRECISION	LEFT
11	881109	1 NUT PLATE W/THREADED INSERT	
12	500914	SYMMETRIC LATERAL PANEL	Size 5"X5"
13	751314	2 x 2 VELCRO LOOP	
14	B672	BASE EXTENDED LATERAL	
17	501140	ASYMMETRIC LATERAL PANEL	Size 10"X3.25"
18	697100	ASYMMETRIC LATERAL PANEL EDGE TRIM	
19	683319	JAY BACK UPH INT LATERAL COVER ASYMMETRIC	LEFT
19	683320	JAY BACK UPH INT LATERAL COVER ASYMMETRIC	RIGHT
3-6	880959	UNI LATERAL CLAMP ASSM	
20,21	923300	JAY BACK EXTENSION LATERAL COVER ASYMMETRIC 14-16	
20,21	923301	JAY BACK EXTENSION LATERAL COVER ASYMMETRIC 17-20	
15,16	923302	JAY BACK EXTENSION LATERAL COVER SYMMETRIC 14-16	
15,16	923303	JAY BACK EXTENSION LATERAL COVER SYMMETRIC 17-20	
1C,2	682520	JAY MEDIUM BACK UPH 14 W/O LATERAL	
1C,2	682521	JAY MEDIUM BACK UPH 15 W/O LATERAL	
1C,2	682522	JAY MEDIUM BACK UPH 16 W/O LATERAL	
1C,2	682523	JAY MEDIUM BACK UPH 17 W/O LATERAL	
1C,2	682524	JAY MEDIUM BACK UPH 18 W/O LATERAL	
1C,2	682525	JAY MEDIUM BACK UPH 19 W/O LATERAL	
1C,2	682526	JAY MEDIUM BACK UPH 20 W/O LATERAL	
1D,2B	682527	JAY TALL BACK UPH 14 W/O LATERAL	
1D,2B	682528	JAY TALL BACK UPH 15 W/O LATERAL	
1D,2B	682529	JAY TALL BACK UPH 16 W/O LATERAL	
1D,2B	682530	JAY TALL BACK UPH 17 W/O LATERAL	
1D,2B	682531	JAY TALL BACK UPH 18 W/O LATERAL	
1D,2B	682532	JAY TALL BACK UPH 19 W/O LATERAL	
1D,2B	682533	JAY TALL BACK UPH 20 W/O LATERAL	
1A,2A,3-8,10-16	682534	JAY MEDIUM BACK UPH 14 W/ FIX SYMMETRIC LATERAL	
1A,2A,3-8,10-16	682535	JAY MEDIUM BACK UPH 15 W/ FIX SYMMETRIC LATERAL	
1A,2A,3-8,10-16	682536	JAY MEDIUM BACK UPH 16 W/ FIX SYMMETRIC LATERAL	
1A,2A,3-8,10-16	682537	JAY MEDIUM BACK UPH 17 W/ FIX SYMMETRIC LATERAL	
1A,2A,3-8,10-16	682538	JAY MEDIUM BACK UPH 18 W/ FIX SYMMETRIC LATERAL	
1A,2A,3-8,10-16	682539	JAY MEDIUM BACK UPH 19 W/ FIX SYMMETRIC LATERAL	
1A,2A,3-8,10-16	682540	JAY MEDIUM BAC KUPH 20 W/ FIX SYMMETRIC LATERAL	
1A,2A,3-9,11-16	682541	JAY MEDIUM BACK UPH 14 W/ S/A SYMMETRIC LATERAL	
1A,2A,3-9,11-16	682542	JAY MEDIUM BACK UPH 15 W/ S/A SYMMETRIC LATERAL	
1A,2A,3-9,11-16	682543	JAY MEDIUM BACK UPH 16 W/ S/A SYMMETRIC LATERAL	
1A,2A,3-9,11-16	682544	JAY MEDIUM BACK UPH 17 W/ S/A SYMMETRIC LATERAL	
1A,2A,3-9,11-16	682545	JAY MEDIUM BACK UPH 18 W/ S/A SYMMETRIC LATERAL	
1A,2A,3-9,11-16	682546	JAY MEDIUM BACK UPH 19 W/ S/A SYMMETRIC LATERAL	
1A,2A,3-9,11-16	682547	JAY MEDIUM BACK UPH 20 W/ S/A SYMMETRIC LATERAL	
1B,2B,3-9,11-16	682562	JAY TALL BACK UPH 14 W/ FIX SYMMETRIC LATERAL	
1B,2B,3-9,11-16	682563	JAY TALL BACK UPH 15 W/ FIX SYMMETRIC LATERAL	
1B,2B,3-9,11-16	682564	JAY TALL BACK UPH 16 W/ FIX SYMMETRIC LATERAL	
1B,2B,3-9,11-16	682565	JAY TALL BACK UPH 17 W/ FIX SYMMETRIC LATERAL	
1B,2B,3-9,11-16	682566	JAY TALL BACK UPH 18 W/ FIX SYMMETRIC LATERAL	
1B,2B,3-9,11-16	682567	JAY TALL BACK UPH 19 W/ FIX SYMMETRIC LATERAL	

Pos.	Item Number	Description	Remarks
1B,2B,3-9,11-16	682568	JAY TALL BACK UPH 20 W/ FIX SYMMETRIC LATERAL	
1B,2B,3-8,10-16	682569	JAY TALL BACK UPH 14 W/ S/A SYMMETRIC LATERAL	
1B,2B,3-8,10-16	682570	JAY TALL BACK UPH 15 W/ S/A SYMMETRIC LATERAL	
1B,2B,3-8,10-16	682571	JAY TALL BACK UPH 16 W/ S/A SYMMETRIC LATERAL	
1B,2B,3-8,10-16	682572	JAY TALL BACK UPH 17 W/ S/A SYMMETRIC LATERAL	
1B,2B,3-8,10-16	682573	JAY TALL BACK UPH 18 W/ S/A SYMMETRIC LATERAL	
1B,2B,3-8,10-16	682574	JAY TALL BACK UPH 19 W/ S/A SYMMETRIC LATERAL	
1B,2B,3-8,10-16	682575	JAY TALL BACK UPH 20 W/ S/A SYMMETRIC LATERAL	
1A,2A,3-9,11,17-21	682576	JAY TALL BACK UPH 14 W/ FIX ASYMMETRIC LATERAL	
1A,2A,3-9,11,17-21	682577	JAY TALL BACK UPH 15 W/ FIX ASYMMETRIC LATERAL	
1A,2A,3-9,11,17-21	682578	JAY TALL BACK UPH 16 W/ FIX ASYMMETRIC LATERAL	
1A,2A,3-9,11,17-21	682579	JAY TALL BACK UPH 17 W/ FIX ASYMMETRIC LATERAL	
1A,2A,3-9,11,17-21	682580	JAY TALL BACK UPH 18 W/ FIX ASYMMETRIC LATERAL	
1A,2A,3-9,11,17-21	682581	JAY TALL BACK UPH 19 W/ FIX ASYMMETRIC LATERAL	
1A,2A,3-9,11,17-21	682582	JAY TALL BACK UPH 20 W/ FIX ASYMMETRIC LATERAL	
1A,2A,3-11,17-21	682583	JAY TALL BACK UPH 14 W/ S/A ASYMMETRIC LATERAL	
1A,2A,3-11,17-21	682584	JAY TALL BACK UPH 15 W/ S/A ASYMMETRIC LATERAL	
1A,2A,3-11,17-21	682585	JAY TALL BACK UPH 16 W/ S/A ASYMMETRIC LATERAL	
1A,2A,3-11,17-21	682586	JAY TALL BACK UPH 17 W/ S/A ASYMMETRIC LATERAL	
1A,2A,3-11,17-21	682587	JAY TALL BACK UPH 18 W/ S/A ASYMMETRIC LATERAL	
1A,2A,3-11,17-21	682588	JAY TALL BACK UPH 19 W/ S/A ASYMMETRIC LATERAL	
1A,2A,3-11,17-21	682589	JAY TALL BACK UPH 20 W/ S/A ASYMMETRIC LATERAL	

JAY PRECISION BACK FOLDING STABILIZER BAR

[Rev. 03/2007]

STUD WEDGE SIZE FOR:	SMALL	MEDIUM	LARGE
AVERAGE INSIDE DIM	3/4"	7/8"	1"
<u>MOST</u> OUTSIDE DIM	0.575 - 0.638	0.700 - 0.785	0.825 - 0.910

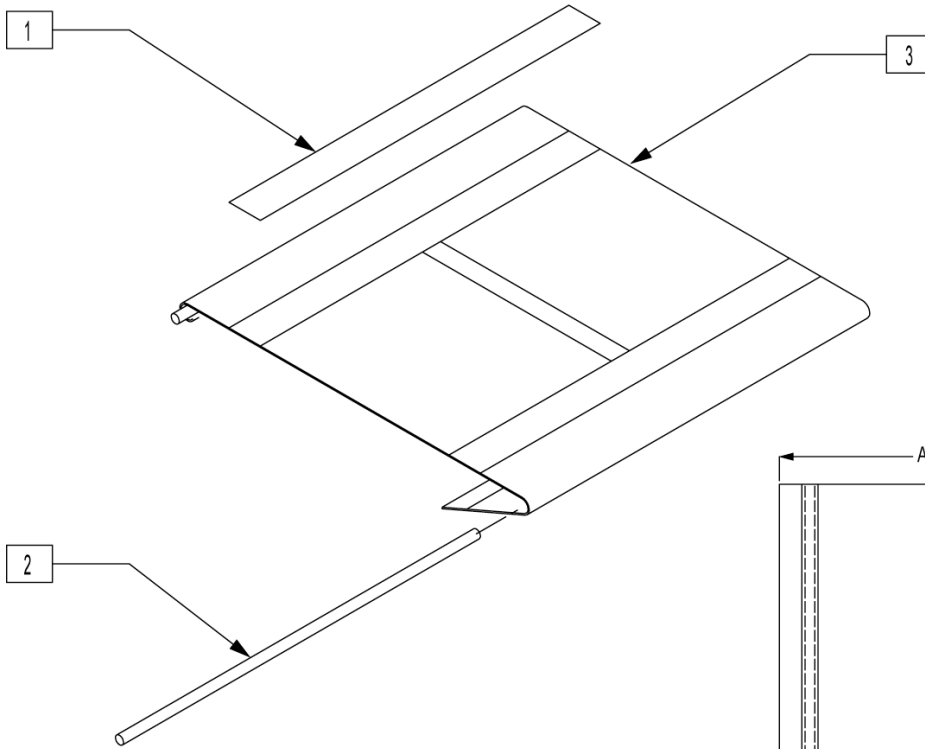


Pos.	Item Number	Description	Remarks
1	750696	HEADREST W/ ZIPPER MEDIUM CG	
1A	750697	HEADREST W/ ZIPPER LARGE CG	
2	221115	1/4 - 20 X 3/4 SOC HD C/S BLK	
3	341045	#10 - 24 CONE POINT SET SCREW	
4	505933	HEADREST COLLAR	
5	341046	HEADREST CLAMPING HANDLE SCREW	
6	881003	CLAMP AND TUBE	
7	261204	#10 AN WASHER .063	
8	221010	10 - 32 X .75 SHCS BLK W/ PL	
9	226072	1/4 - 20 X 1/2 FH C/S BLK	
10	520855	NUT WEDGE SMALL	
10	520816	NUT WEDGE MEDIUM	
10	520856	NUT WEDGE LARGE	
11	520857	STUD WEDGE SMALL	
11	520815	STUD WEDGE MEDIUM	
11	520858	STUD WEDGE LARGE	
12	226064	1/4 - 28 X 3/4 BH C/S BLK W/PATCH	
13	262100-QU	1/4 AN WASHER FLAT	
14	561004	1 SADDLE 1/4 HOLE	

Pos.	Item Number	Description	Remarks
15	349595	BEARING IGUS 3/8 X 15/32 X 1/2	
16	542158	HEADREST PVT TB WELDMOUNT 14 - 17	
16A	542159	HEADREST PVT TB WELDMOUNT 17 - 20	
17	483342	STUD WEDGE CAP	
18	226351	1/4 - 20 X 4 - 1/2 SOC HD BLK ZINC	
19	500078	INSERT D2 EXT TUBE	
21	262100-QU	1/4 AN WASHER FLAT	
22	226095	1/4 - 20 X 4 - 3/8 SOC HD BLK ZINC	
23	750550	Z2 FOLDING STRAP	
24	226095	1/4 - 20 X 4 - 3/8 SOC HD BLK ZINC	
25	226076	1/4 - 28 X 1/2 FH C/S W/ PATCH	
26	467303	HEADREST MOUNTING PLATE	
27	342046	MEASURING TOOL FOLD HEADREST	
2-9	883350	HEADREST MOUNTING BRACKET ASSM EURO	
20-24	888920	CENTER MOUNT FOLD HEADREST ASSM	
21-23	750104	FOLD STABELIZER BAR STRAP ASSM	
10, 11, 17, 18	881897	STUD WEDGE ASSM SMALL	
10, 11, 17, 18	881898	STUD WEDGE ASSM MEDIUM	
10, 11, 17, 18	881899	STUD WEDGE ASSM LARGE	
10-20	820750	STABELIZER BAR ASSM 14 - 17 SMALL	
10-20	820751	STABELIZER BAR ASSM 14 - 17 MEDIUM	
10-20	820752	STABELIZER BAR ASSM 14 - 17 LARGE	
10-15, 16A, 17-20	820753	STABELIZER BAR ASSM 17 - 20 SMALL	
10-15, 16A, 17-20	820754	STABELIZER BAR ASSM 17 - 20 MEDIUM	
10-15, 16A, 17-20	820755	STABELIZER BAR ASSM 17 - 20 LARGE	
1-20	820760	STABELIZER W/ MEDIUM HEADREST 14 - 17 SMALL	
1-20	820761	STABELIZER W/ MEDIUM HEADREST 14 - 17 MEDIUM	
1-20	820762	STABELIZER W/ MEDIUM HEADREST 14 - 17 LARGE	
1-15, 16A, 17-20	820763	STABELIZER W/ MEDIUM HEADREST 17 - 20 SMALL	
1-15, 16A, 17-20	820764	STABELIZER W/ MEDIUM HEADREST 17 - 20 MEDIUM	
1-15, 16A, 17-20	820765	STABELIZER W/ MEDIUM HEADREST 17 - 20 LARGE	
1A, 2-20	820766	STABELIZER W/ LARGE HEADREST 14 - 17 SMALL	
1A, 2-20	820767	STABELIZER W/ LARGE HEADREST 14 - 17 MEDIUM	
1A, 2-20	820768	STABELIZER W/ LARGE HEADREST 14 - 17 LARGE	
1A, 2-15, 16A, 17-20	820769	STABELIZER W/ LARGE HEADREST 17 - 20 SMALL	
1A, 2-15, 16A, 17-20	820770	STABELIZER W/ LARGE HEADREST 17 - 20 MEDIUM	
1A, 2-15, 16A, 17-20	820771	STABELIZER W/ LARGE HEADREST 17 - 20 LARGE	

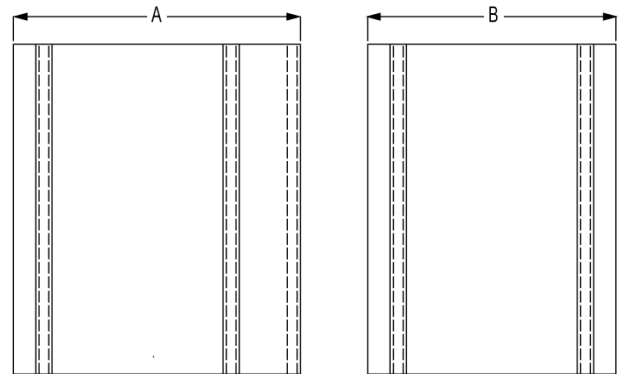
SEAT SLING

[07/2007]



MEASURING GUIDE

CHAIR WIDTH	DIM A	DIM B
10"	12"	9"
11"	13"	10"
12"	14"	11"
13"	15"	12"
14"	16"	13"
15"	17"	14"
16"	18"	15"
17"	19"	16"
18"	20"	17"
19"	21"	18"
20"	22"	19"

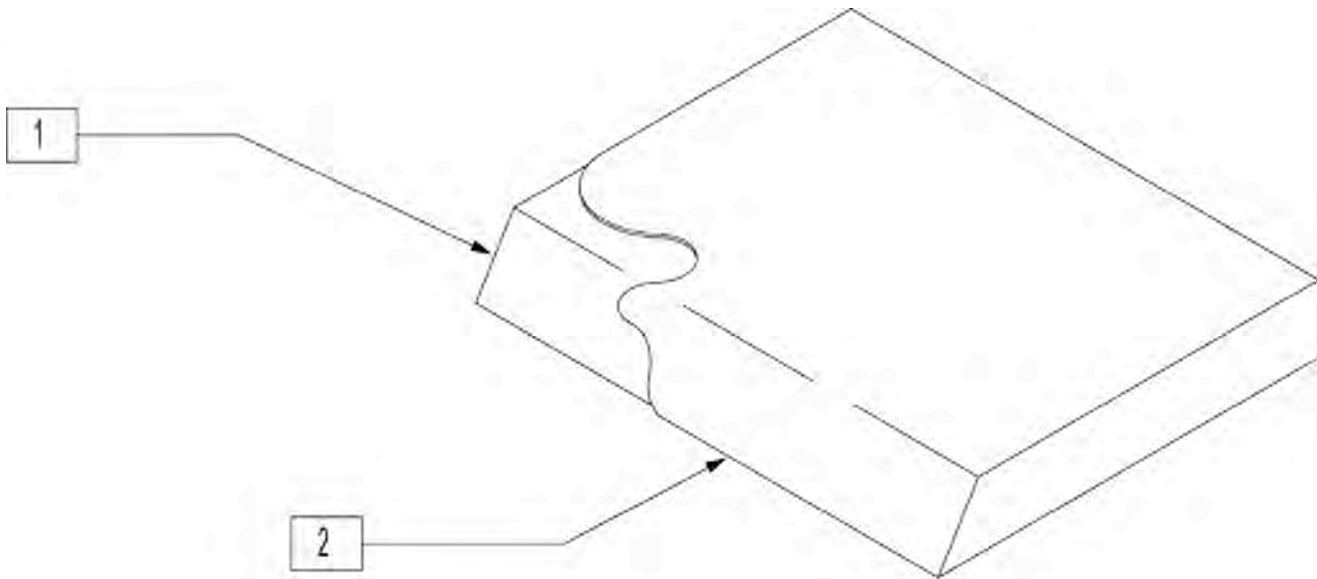


Pos.	Item Number	Description	Remarks	Pos.	Item Number	Description	Remarks
1	901169	SEAT SLING VELCRO STRIP 2"		722597	"SEAT SLING 12" X 17" CHNL"		
2	580226	"SEAT SLING RETAINING ROD 10"		722600	"SEAT SLING 13" X 10" CHNL"		
3	722583	"SEAT SLING 11" X 13" CHNL"		722601	"SEAT SLING 13" X 11" CHNL"		
	580227	"SEAT SLING RETAINING ROD 11"		722602	"SEAT SLING 13" X 12" CHNL"		
	580228	"SEAT SLING RETAINING ROD 12"		722603	"SEAT SLING 13" X 13" CHNL"		
	580229	"SEAT SLING RETAINING ROD 13"		722604	"SEAT SLING 13" X 14" CHNL"		
	580230	"SEAT SLING RETAINING ROD 14"		722605	"SEAT SLING 13" X 15" CHNL"		
	580231	"SEAT SLING RETAINING ROD 15"		722606	"SEAT SLING 13" X 16" CHNL"		
	580232	"SEAT SLING RETAINING ROD 16"		722607	"SEAT SLING 13" X 17" CHNL"		
	580233	"SEAT SLING RETAINING ROD 17"		722608	"SEAT SLING 13" X 18" CHNL"		
	580234	"SEAT SLING RETAINING ROD 18"		722616	"SEAT SLING 14" X 10" CHNL"		
	580235	"SEAT SLING RETAINING ROD 19"		722617	"SEAT SLING 14" X 11" CHNL"		
	580236	"SEAT SLING RETAINING ROD 20"		722618	"SEAT SLING 14" X 12" CHNL"		
	722580	"SEAT SLING 11" X 10" CHNL"		722619	"SEAT SLING 14" X 13" CHNL"		
	722581	"SEAT SLING 11" X 11" CHNL"		722620	"SEAT SLING 14" X 14" CHNL"		
	722582	"SEAT SLING 11" X 12" CHNL"		722621	"SEAT SLING 14" X 15" CHNL"		
	722584	"SEAT SLING 11" X 14" CHNL"		722622	"SEAT SLING 14" X 16" CHNL"		
	722585	"SEAT SLING 11" X 15" CHNL"		722623	"SEAT SLING 14" X 17" CHNL"		
	722586	"SEAT SLING 11" X 16" CHNL"		722624	"SEAT SLING 14" X 18" CHNL"		
	722587	"SEAT SLING 11" X 17" CHNL"		722625	"SEAT SLING 14" X 19" CHNL"		
	722590	"SEAT SLING 12" X 10" CHNL"		722626	"SEAT SLING 14" X 20" CHNL"		
	722591	"SEAT SLING 12" X 11" CHNL"		722630	"SEAT SLING 15" X 14" CHNL"		
	722592	"SEAT SLING 12" X 12" CHNL"		722631	"SEAT SLING 15" X 15" CHNL"		
	722593	"SEAT SLING 12" X 13" CHNL"		722632	"SEAT SLING 15" X 16" CHNL"		
	722594	"SEAT SLING 12" X 14" CHNL"		722633	"SEAT SLING 15" X 17" CHNL"		
	722595	"SEAT SLING 12" X 15" CHNL"		722634	"SEAT SLING 15" X 18" CHNL"		
	722596	"SEAT SLING 12" X 16" CHNL"		722635	"SEAT SLING 15" X 19" CHNL"		

Pos.	Item Number	Description	Remarks	Pos.	Item Number	Description	Remarks
	722636	"SEAT SLING 15" X 20" CHNL"			722683	"SEAT SLING 20" X 17" CHNL"	
	722640	"SEAT SLING 16" X 14" CHNL"			722684	"SEAT SLING 20" X 18" CHNL"	
	722641	"SEAT SLING 16" X 15" CHNL"			722685	"SEAT SLING 20" X 19" CHNL"	
	722642	"SEAT SLING 16" X 16" CHNL"			722686	"SEAT SLING 20" X 20" CHNL"	
	722643	"SEAT SLING 16" X 17" CHNL"			722687	"SEAT SLING 20" X 11" CHNL"	
	722644	"SEAT SLING 16" X 18" CHNL"			722688	"SEAT SLING 20" X 12" CHNL"	
	722645	"SEAT SLING 16" X 19" CHNL"			722689	"SEAT SLING 20" X 13" CHNL"	
	722646	"SEAT SLING 16" X 20" CHNL"			722700	"SEAT SLING 15" X 10" CHNL"	
	722650	"SEAT SLING 17" X 14" CHNL"			722701	"SEAT SLING 15" X 11" CHNL"	
	722651	"SEAT SLING 17" X 15" CHNL"			722702	"SEAT SLING 15" X 12" CHNL"	
	722652	"SEAT SLING 17" X 16" CHNL"			722703	"SEAT SLING 15" X 13" CHNL"	
	722653	"SEAT SLING 17" X 17" CHNL"			722704	"SEAT SLING 16" X 10" CHNL"	
	722654	"SEAT SLING 17" X 18" CHNL"			722705	"SEAT SLING 16" X 11" CHNL"	
	722655	"SEAT SLING 17" X 19" CHNL"			722706	"SEAT SLING 16" X 12" CHNL"	
	722656	"SEAT SLING 17" X 20" CHNL"			722707	"SEAT SLING 16" X 13" CHNL"	
	722660	"SEAT SLING 18" X 14" CHNL"			722708	"SEAT SLING 17" X 10" CHNL"	
	722661	"SEAT SLING 18" X 15" CHNL"			722709	"SEAT SLING 17" X 11" CHNL"	
	722662	"SEAT SLING 18" X 16" CHNL"			722710	"SEAT SLING 17" X 12" CHNL"	
	722663	"SEAT SLING 18" X 17" CHNL"			722711	"SEAT SLING 17" X 13" CHNL"	
	722664	"SEAT SLING 18" X 18" CHNL"			722720	"SEAT SLING 21" X 12" CHNL"	
	722665	"SEAT SLING 18" X 19" CHNL"			722721	"SEAT SLING 21" X 13" CHNL"	
	722666	"SEAT SLING 18" X 20" CHNL"			722722	"SEAT SLING 21" X 14" CHNL"	
	722667	"SEAT SLING 18" X 11" CHNL"			722723	"SEAT SLING 21" X 15" CHNL"	
	722668	"SEAT SLING 18" X 12" CHNL"			722724	"SEAT SLING 21" X 16" CHNL"	
	722669	"SEAT SLING 18" X 13" CHNL"			722725	"SEAT SLING 21" X 17" CHNL"	
	722670	"SEAT SLING 19" X 14" CHNL"			722726	"SEAT SLING 21" X 18" CHNL"	
	722671	"SEAT SLING 19" X 15" CHNL"			722727	"SEAT SLING 21" X 19" CHNL"	
	722672	"SEAT SLING 19" X 16" CHNL"			722728	"SEAT SLING 21" X 20" CHNL"	
	722673	"SEAT SLING 19" X 17" CHNL"			722730	"SEAT SLING 22" X 12" CHNL"	
	722674	"SEAT SLING 19" X 18" CHNL"			722731	"SEAT SLING 22" X 13" CHNL"	
	722675	"SEAT SLING 19" X 19" CHNL"			722732	"SEAT SLING 22" X 14" CHNL"	
	722676	"SEAT SLING 19" X 20" CHNL"			722733	"SEAT SLING 22" X 15" CHNL"	
	722677	"SEAT SLING 19" X 11" CHNL"			722734	"SEAT SLING 22" X 16" CHNL"	
	722678	"SEAT SLING 19" X 12" CHNL"			722735	"SEAT SLING 22" X 17" CHNL"	
	722679	"SEAT SLING 19" X 13" CHNL"			722736	"SEAT SLING 22" X 18" CHNL"	
	722680	"SEAT SLING 20" X 14" CHNL"			722737	"SEAT SLING 22" X 19" CHNL"	
	722681	"SEAT SLING 20" X 15" CHNL"			722738	"SEAT SLING 22" X 20" CHNL"	
	722682	"SEAT SLING 20" X 16" CHNL"					

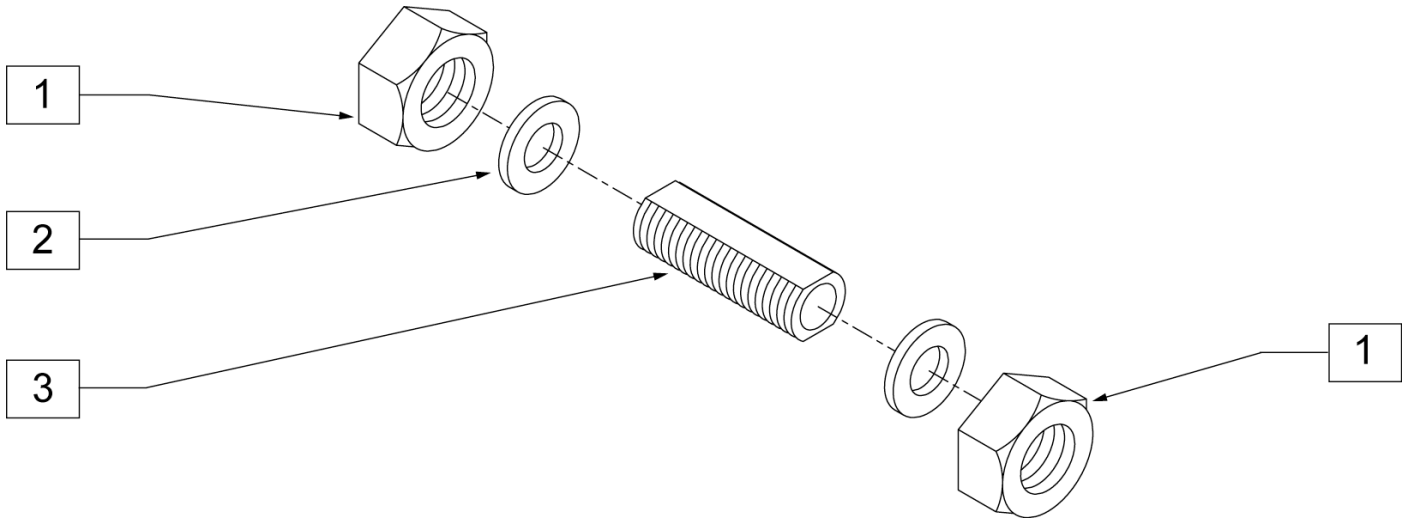
SEAT CUSHION

[03/2007]

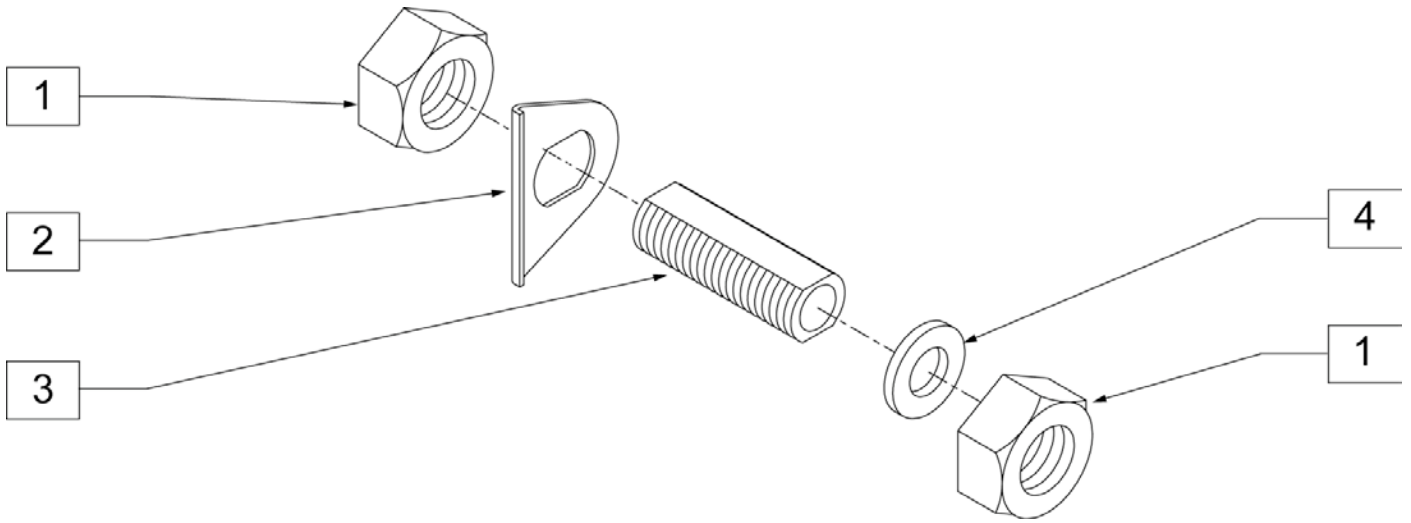


Pos.	Item Number	Description	Remarks	Pos.	Item Number	Description	Remarks
1,2	700002	"SEAT CUSHION 11" X 10" X 2"		1,2	700208	"SEAT CUSHION 13" X 9" X 2"	
1,2	700012	"SEAT CUSHION 11" X 11" X 2"		1,2	700212	"SEAT CUSHION 13" X 11" X 2"	
1,2	700022	"SEAT CUSHION 11" X 12" X 2"		1,2	700222	"SEAT CUSHION 13" X 12" X 2"	
1,2	700025	"SEAT CUSHION 10" X 8" X 2"		1,2	700232	"SEAT CUSHION 13" X 13" X 2"	
1,2	700026	"SEAT CUSHION 10" X 9" X 2"		1,2	700242	"SEAT CUSHION 13" X 14" X 2"	
1,2	700027	"SEAT CUSHION 10" X 10" X 2"		1,2	700243	"SEAT CUSHION 13" X 14" X 3"	
1,2	700028	"SEAT CUSHION 10" X 11" X 2"		1,2	700244	"SEAT CUSHION 13" X 14" X 4"	
1,2	700029	"SEAT CUSHION 10" X 12" X 2"		1,2	700252	"SEAT CUSHION 13" X 15" X 2"	
1,2	700032	"SEAT CUSHION 11" X 13" X 2"		1,2	700262	"SEAT CUSHION 13" X 16" X 2"	
1,2	700035	"SEAT CUSHION 10" X 13" X 2"		1,2	700267	"SEAT CUSHION 13" X 19" X 2"	
1,2	700042	"SEAT CUSHION 11" X 14" X 2"		1,2	700272	"SEAT CUSHION 13" X 17" X 2"	
1,2	700045	"SEAT CUSHION 10" X 14" X 2"		1,2	700277	"SEAT CUSHION 13" X 18" X 2"	
1,2	700052	"SEAT CUSHION 11" X 15" X 2"		1,2	700282	"SEAT CUSHION 14" X 10" X 2"	
1,2	700055	"SEAT CUSHION 11" X 8" X 2"		1,2	700287	"SEAT CUSHION 14" X 8" X 2"	
1,2	700056	"SEAT CUSHION 11" X 9" X 2"		1,2	700288	"SEAT CUSHION 14" X 9" X 2"	
1,2	700062	"SEAT CUSHION 11" X 16" X 2"		1,2	700292	"SEAT CUSHION 14" X 11" X 2"	
1,2	700072	"SEAT CUSHION 11" X 17" X 2"		1,2	700302	"SEAT CUSHION 14" X 12" X 2"	
1,2	700082	"SEAT CUSHION 11" X 18" X 2"		1,2	700312	"SEAT CUSHION 14" X 13" X 2"	
1,2	700102	"SEAT CUSHION 12" X 10" X 2"		1,2	700322	"SEAT CUSHION 14" X 14" X 2"	
1,2	700107	"SEAT CUSHION 12" X 8" X 2"		1,2	700332	"SEAT CUSHION 14" X 15" X 2"	
1,2	700108	"SEAT CUSHION 12" X 9" X 2"		1,2	700342	"SEAT CUSHION 14" X 16" X 2"	
1,2	700112	"SEAT CUSHION 12" X 11" X 2"		1,2	700352	"SEAT CUSHION 14" X 17" X 2"	
1,2	700122	"SEAT CUSHION 12" X 12" X 2"		1,2	700362	"SEAT CUSHION 14" X 18" X 2"	
1,2	700132	"SEAT CUSHION 12" X 13" X 2"		1,2	700372	"SEAT CUSHION 14" X 19" X 2"	
1,2	700142	"SEAT CUSHION 12" X 14" X 2"		1,2	700382	"SEAT CUSHION 14" X 20" X 2"	
1,2	700152	"SEAT CUSHION 12" X 15" X 2"		1,2	700392	"SEAT CUSHION 14" X 21" X 2"	
1,2	700162	"SEAT CUSHION 12" X 16" X 2"		1,2	700398	"SEAT CUSHION 15" X 11" X 2"	
1,2	700172	"SEAT CUSHION 12" X 17" X 2"		1,2	700402	"SEAT CUSHION 15" X 12" X 2"	
1,2	700182	"SEAT CUSHION 12" X 18" X 2"		1,2	700412	"SEAT CUSHION 15" X 13" X 2"	
1,2	700192	"SEAT CUSHION 12" X 19" X 2"		1,2	700422	"SEAT CUSHION 15" X 14" X 2"	
1,2	700202	"SEAT CUSHION 13" X 10" X 2"		1,2	700432	"SEAT CUSHION 15" X 15" X 2"	
1,2	700207	"SEAT CUSHION 13" X 8" X 2"		1,2	700442	"SEAT CUSHION 15" X 16" X 2"	

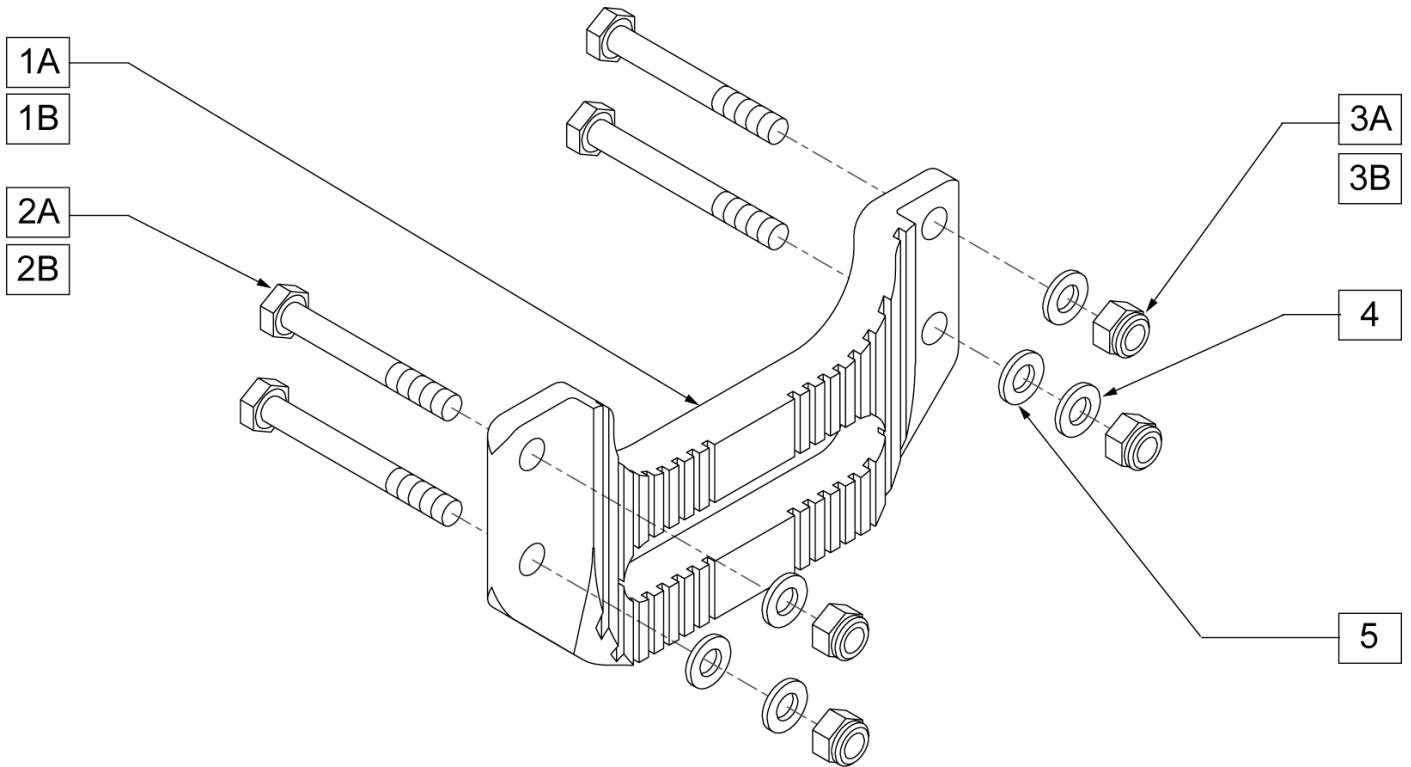
Pos.	Item Number	Description	Remarks	Pos.	Item Number	Description	Remarks
1,2	700452	"SEAT CUSHION 15" X 17" X 2"		1,2	700852	"SEAT CUSHION 19" X 19" X 2"	
1,2	700462	"SEAT CUSHION 15" X 18" X 2"		1,2	700862	"SEAT CUSHION 19" X 20" X 2"	
1,2	700472	"SEAT CUSHION 15" X 19" X 2"		1,2	700872	"SEAT CUSHION 19" X 21" X 2"	
1,2	700482	"SEAT CUSHION 15" X 20" X 2"		1,2	700882	"SEAT CUSHION 20" X 12" X 2"	
1,2	700492	"SEAT CUSHION 15" X 21" X 2"		1,2	700892	"SEAT CUSHION 20" X 13" X 2"	
1,2	700498	"SEAT CUSHION 16" X 11" X 2"		1,2	700902	"SEAT CUSHION 20" X 14" X 2"	
1,2	700502	"SEAT CUSHION 16" X 12" X 2"		1,2	700912	"SEAT CUSHION 20" X 15" X 2"	
1,2	700512	"SEAT CUSHION 16" X 13" X 2"		1,2	700922	"SEAT CUSHION 20" X 16" X 2"	
1,2	700522	"SEAT CUSHION 16" X 14" X 2"		1,2	700932	"SEAT CUSHION 20" X 17" X 2"	
1,2	700532	"SEAT CUSHION 16" X 15" X 2"		1,2	700942	"SEAT CUSHION 20" X 18" X 2"	
1,2	700542	"SEAT CUSHION 16" X 16" X 2"		1,2	700952	"SEAT CUSHION 20" X 19" X 2"	
1,2	700552	"SEAT CUSHION 16" X 17" X 2"		1,2	702080	"SEAT CUSHION 21" X 13" X 2"	
1,2	700562	"SEAT CUSHION 16" X 18" X 2"		1,2	702081	"SEAT CUSHION 21" X 14" X 2"	
1,2	700572	"SEAT CUSHION 16" X 19" X 2"		1,2	702082	"SEAT CUSHION 21" X 15" X 2"	
1,2	700582	"SEAT CUSHION 16" X 20" X 2"		1,2	702083	"SEAT CUSHION 21" X 16" X 2"	
1,2	700592	"SEAT CUSHION 16" X 21" X 2"		1,2	702084	"SEAT CUSHION 21" X 17" X 2"	
1,2	700597	"SEAT CUSHION 17" X 13" X 2"		1,2	702085	"SEAT CUSHION 21" X 18" X 2"	
1,2	700602	"SEAT CUSHION 17" X 14" X 2"		1,2	702086	"SEAT CUSHION 21" X 19" X 2"	
1,2	700606	"SEAT CUSHION 17" X 12" X 2"		1,2	702087	"SEAT CUSHION 21" X 20" X 2"	
1,2	700612	"SEAT CUSHION 17" X 15" X 2"		1,2	702088	"SEAT CUSHION 21" X 21" X 2"	
1,2	700622	"SEAT CUSHION 17" X 16" X 2"		1,2	702090	"SEAT CUSHION 22" X 13" X 2"	
1,2	700632	"SEAT CUSHION 17" X 17" X 2"		1,2	702091	"SEAT CUSHION 22" X 14" X 2"	
1,2	700642	"SEAT CUSHION 17" X 18" X 2"		1,2	702092	"SEAT CUSHION 22" X 15" X 2"	
1,2	700652	"SEAT CUSHION 17" X 19" X 2"		1,2	702093	"SEAT CUSHION 22" X 16" X 2"	
1,2	700662	"SEAT CUSHION 17" X 20" X 2"		1,2	702094	"SEAT CUSHION 22" X 17" X 2"	
1,2	700672	"SEAT CUSHION 17" X 21" X 2"		1,2	702095	"SEAT CUSHION 22" X 18" X 2"	
1,2	700682	"SEAT CUSHION 18" X 12" X 2"		1,2	702096	"SEAT CUSHION 22" X 19" X 2"	
1,2	700692	"SEAT CUSHION 18" X 13" X 2"		1,2	702097	"SEAT CUSHION 22" X 20" X 2"	
1,2	700702	"SEAT CUSHION 18" X 14" X 2"		1,2	702098	"SEAT CUSHION 22" X 21" X 2"	
1,2	700712	"SEAT CUSHION 18" X 15" X 2"		1,2	702099	"SEAT CUSHION 24" X 14" X 2"	
1,2	700722	"SEAT CUSHION 18" X 16" X 2"		1,2	702103	"SEAT CUSHION 24" X 18" X 2"	
1,2	700732	"SEAT CUSHION 18" X 17" X 2"		1,2	702106	"SEAT CUSHION 24" X 21" X 2"	
1,2	700742	"SEAT CUSHION 18" X 18" X 2"		1,2	702116	"SEAT CUSHION 20" X 22" X 2"	
1,2	700752	"SEAT CUSHION 18" X 19" X 2"		1,2	702117	"SEAT CUSHION 22" X 22" X 2"	
1,2	700762	"SEAT CUSHION 18" X 20" X 2"		1,2	702118	"SEAT CUSHION 24" X 22" X 2"	
1,2	700772	"SEAT CUSHION 18" X 21" X 2"		1,2	702224	"SEAT CUSHION 26" X 22" X 2"	
1,2	700782	"SEAT CUSHION 19" X 12" X 2"		1,2	702229	"SEAT CUSHION 28" X 22" X 2"	
1,2	700792	"SEAT CUSHION 19" X 13" X 2"		1,2	702230	"SEAT CUSHION 30" X 18" X 2"	
1,2	700802	"SEAT CUSHION 19" X 14" X 2"		1,2	702231	"SEAT CUSHION 30" X 19" X 2"	
1,2	700812	"SEAT CUSHION 19" X 15" X 2"		1,2	702232	"SEAT CUSHION 30" X 20" X 2"	
1,2	700822	"SEAT CUSHION 19" X 16" X 2"		1,2	702233	"SEAT CUSHION 30" X 21" X 2"	
1,2	700832	"SEAT CUSHION 19" X 17" X 2"		1,2	702234	"SEAT CUSHION 30" X 22" X 2"	
1,2	700842	"SEAT CUSHION 19" X 18" X 2"					



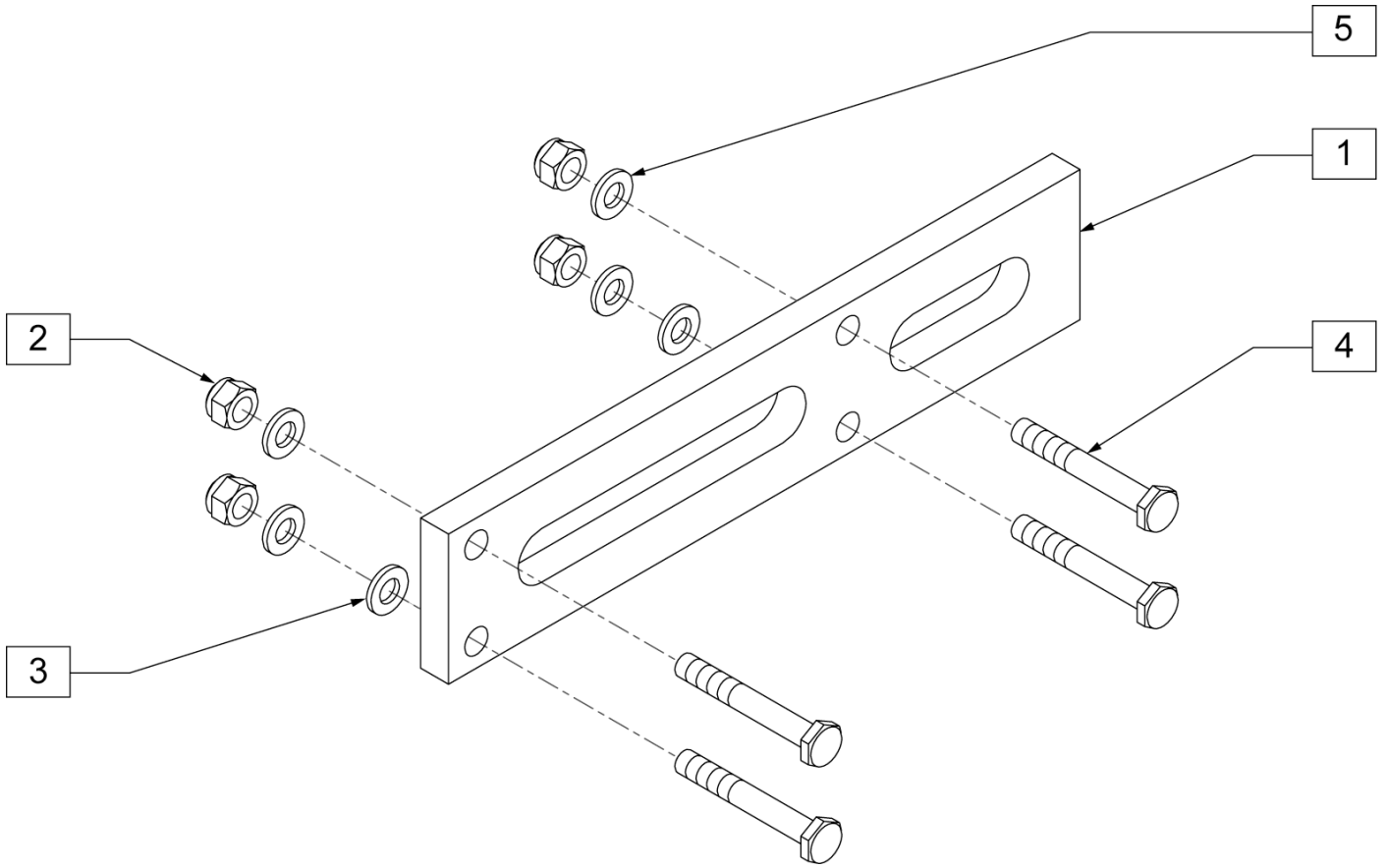
Pos.	Item Number	Description	Remarks
1	204000	3/4 - 16 NUT	
2	265100	3/4 x 18 WASHER NARROW	
3	481065	AXLE SLEEVE SS	
1-3	920121	AXLE SLEEVES W/ HARDWARE (NON-INDEX)	



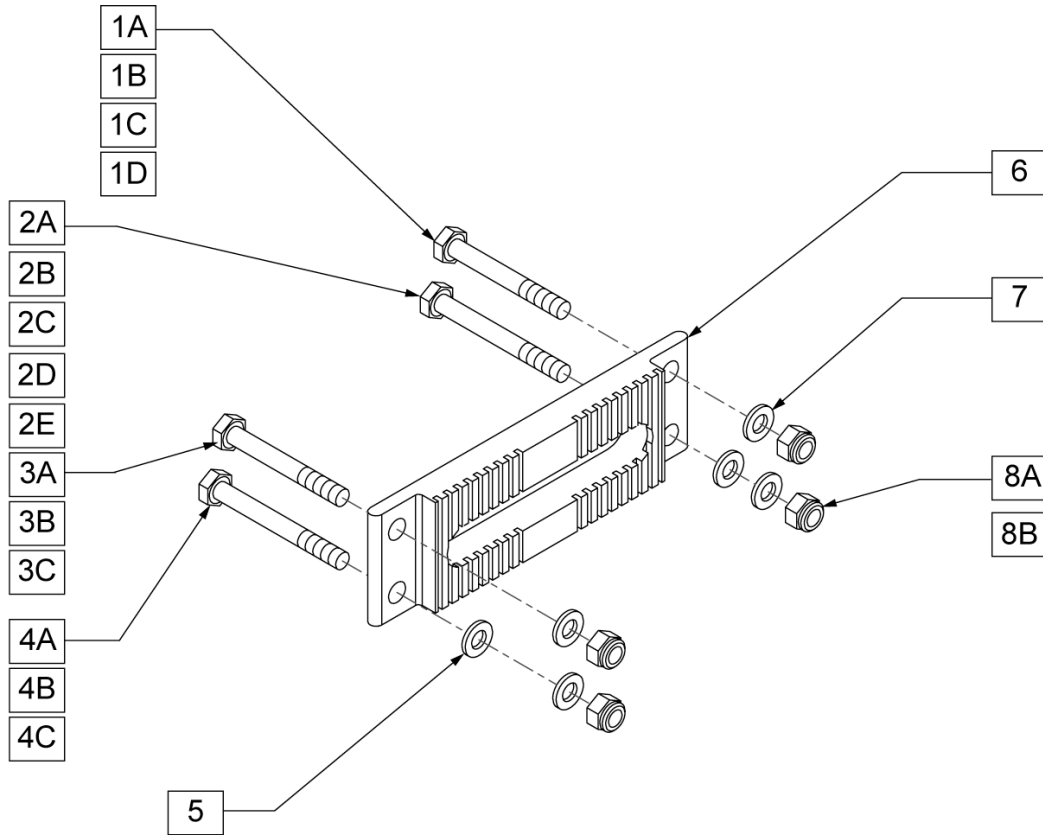
Pos.	Item Number	Description	Remarks
1	204000	3/4 - 16 NUT	
2	505015	INDEX AXLE WASHER	
3	481065	AXLE SLEEVE SS	
4	265100	3/4 X 18 WASHER NARROW	
1-4	920120	AXLE SLEEVES W/ HARDWARE (INDEX)	



Pos.	Item Number	Description	Remarks
1A	502018	AXLE PLATE INDEX CURVED HEAVY BLK	
1B	920019	AXLE PLATE INDEX CURVED HEAVY BLK	PAIR
2A	221151-QU	1/4-28 x 1 3/4 G8 HEX C/S	
2B	330099	1/4-28 x 1 3/4 HEX C/S Ti	
3A	201110-QU	1/4-28 NYLOCK NUT	
3B	330000-QU	1/4-28 NYLOCK NUT ALUMINUM	
4	262110-QU	1/4 AN WASHER FLAT THIN	
5	262100-QU	1/4 AN WASHER FLAT	
2-5	920211	Q2 ALXE PLATE HARDWARE KIT	Q2/2HPP
2B, 3B, 4, 5	920216	AXLE PLATE HARDWARE KIT HP/T2	HP/Q2HPTi

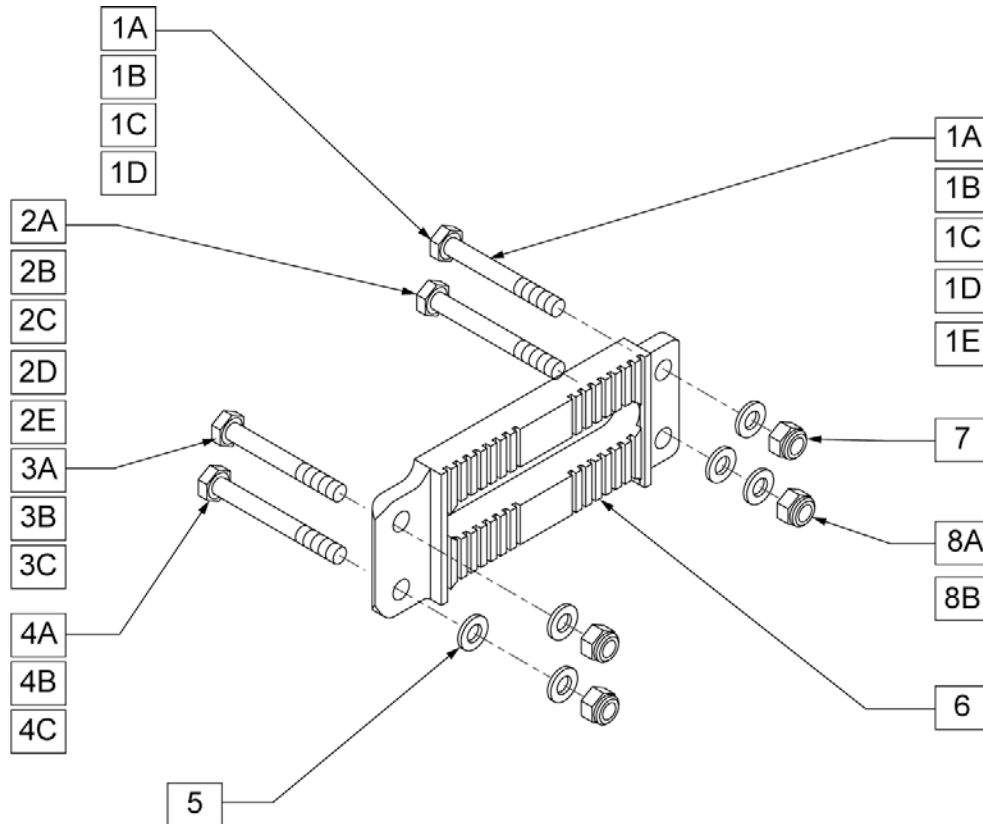


Pos.	Item Number	Description	Remarks
1	502002	AXLE PLATE AMPUTEE Q2	
2	201110-QU	1/4-28 NYLOCK NUT	
3	262100-QU	1/4 AN WASHER FLAT	
4	221151-QU	1/4-28 x 1 3/4 G8 HEX C/S	
5	262110-QU	1/4 AN WASHER FLAT THIN	
2-5	920211	Q2 AXLE PLATE HARDWARE KIT	

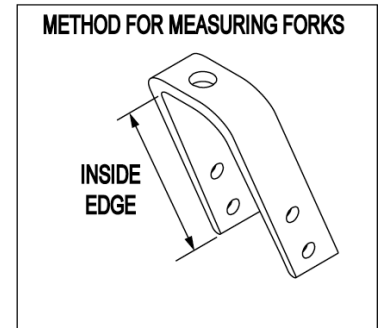
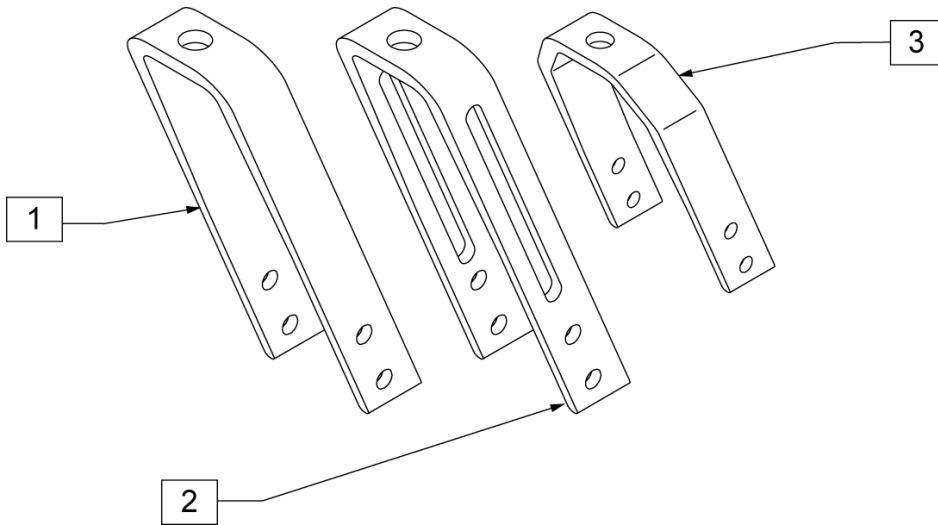


Pos.	Item Number	Description	Remarks
1A	330100	1/4-28 x 2 HEX C/S Ti	
1B	221191	1/4-28 x 2 1/4 G8 HEX C/S	
1C	221181	1/4-28 x 2 1/2 G8 HEX C/S	
1D	330099	1/4-28 x 1 3/4 HEX C/S TI	
1E	221151-QU	1/4-28 x 1 3/4 G8 HEX C/S	
2A	330100	1/4-28 x 2 HEX C/S Ti	
2B	221181	1/4-28 x 2 1/2 G8 HEX C/S	
2C	221193	1/4-28 x 2 3/4 G8 HEX C/S	
2D	330099	1/4-28 x 1 3/4 HEX C/S Ti	
2E	221151-QU	1/4-28 x 1 3/4 G8 HEX C/S	
3A	330100	1/4-28 x 2 HEX C/S Ti	
3B	330099	1/4-28 x 1 3/4 HEX C/S TI	
3C	221151-QU	1/4-28 x 1 3/4 G8 HEX C/S	
4A	330100	1/4-28 x 2 HEX C/S Ti	
4B	330099	1/4-28 x 1 3/4 HEX C/S TI	
4C	221151-QU	1/4-28 x 1 3/4 G8 HEX C/S	
5	262100-QU	1/4 AN WASHER FLAT	
6	502000	AXLE PLATE Q2/HP/ZP2 INDEX	
7	262110-QU	1/4 AN WASHER FLAT THIN	
8A	201110-QU	1/4-28 NYLOCK NUT	
8B	330000-QU	1/4-28 NYLOCK NUT ALUMINUM	
1E, 2E, 3C, 4C, 5, 6, 7, 8	920211	Q2 AXLE PLATE HARDWARE KIT	Q2/2HP/ZP/ZP2
1-7, 8B	920216	AXLE PLATE HARDWARE KIT HP/T2	FOR 2HP TITANIUM

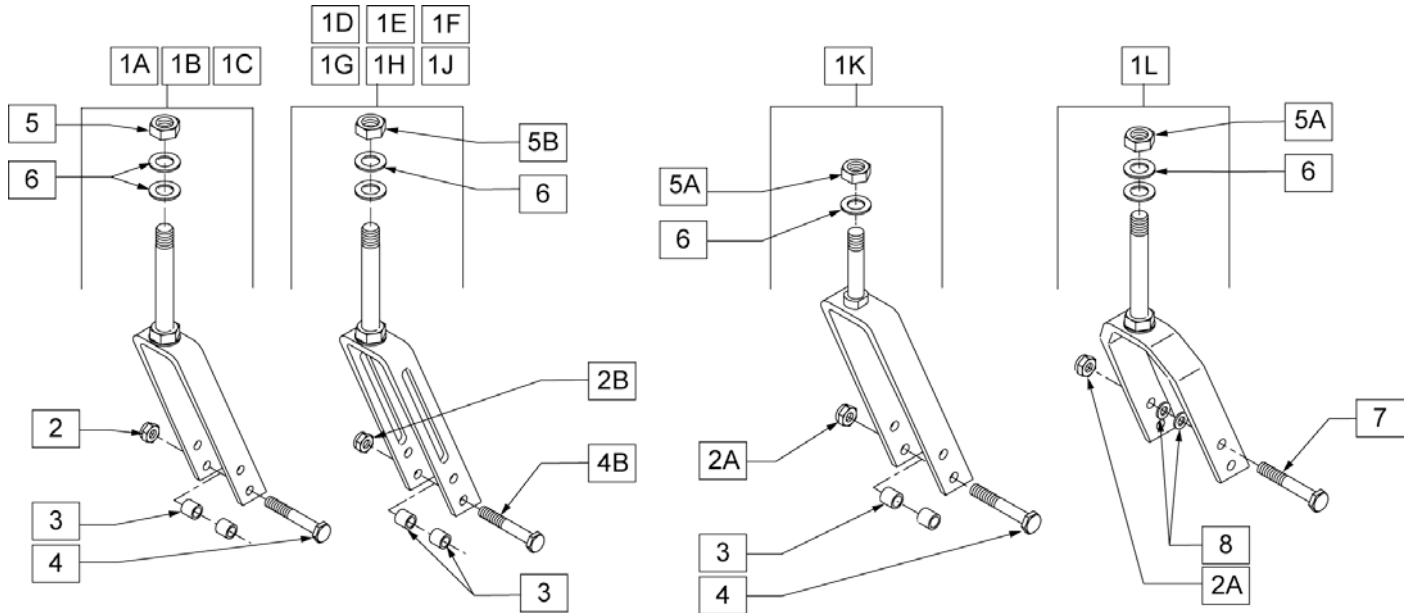
AXLE PLATE-OFFSET



Pos.	Item Number	Description	Remarks
1A	330100	1/4-28 x 2 HEX C/S TI	
1B	221191	1/4-28 x 2 1/4 G8 HEX C/S	
1C	221181	1/4-28 x 2 1/2 G8 HEX C/S	
1D	330099	1/4-28 x 1 3/4 HEX C/S TI	
1E	221151-QU	1/4-28 x 1 3/4 G8 HEX C/S	
2D	330099	1/4-28 x 1 3/4 HEX C/S TI	
2A	330100	1/4-28 x 2 HEX C/S TI	
2E	221151-QU	1/4-28 x 1 3/4 G8 HEX C/S	
2B	221181	1/4-28 x 2 1/2 G8 HEX C/S	
2C	221193	1/4-28 x 2 3/4 G8 HEX C/S	
3A	330100	1/4-28 x 2 HEX C/S TI	
3B	330099	1/4-28 x 1 3/4 HEX C/S TI	
3C	221151-QU	1/4-28 x 1 3/4 G8 HEX C/S	
4A	330100	1/4-28 x 2 HEX C/S TI	
4B	330099	1/4-28 x 1 3/4 HEX C/S TI	
4C	221151-QU	1/4-28 x 1 3/4 G8 HEX C/S	
5	262100-QU	1/4 AN WASHER FLAT	
6	550645	OFFSET AXLE PLATE	
7	262110-QU	1/4 AN WASHER FLAT THIN	
8B	330000-QU	1/4-28 NYLOCK NUT ALUMINUM	
8A	201110-QU	1/4-28 NYLOCK NUT	
1E, 2E, 3C, 4C, 5, 6, 7, 8	920211	Q2 AXLE PLATE HARDWARE KIT	Q2/2HP
1-7, 8B	920216	AXLE PLATE HARDWARE KIT HP/T2	Q2/HP



Pos.	Item Number	Description	Remarks
1	550283	4 3/4" FORK ONLY BR	
1	550386	4 3/4" FORK #26 BLK	
1	550280	5 1/4" FORK ONLY	
1	550581	5 1/4" FORK ONLY CLEAR	
1	550290	6" FORK ONLY BLK	
1	550582	6" FORK ONLY CLEAR	
1	550300	7" FORK ONLY BLK	
1	550583	7" FORK ONLY CLEAR	
2	550274	3 1/4" SLOTTED FORK	
2	550279	4 1/4" FORK ONLY SLOTTED	
2	550284	5 1/4" FORK ONLY SLOTTED BLK	
2	550294	6" FORK ONLY SLOTTED BLK	
2	550303	7" FORK ONLY SLOTTED BLK	
3	550730	8" x 2" FORK ONLY	

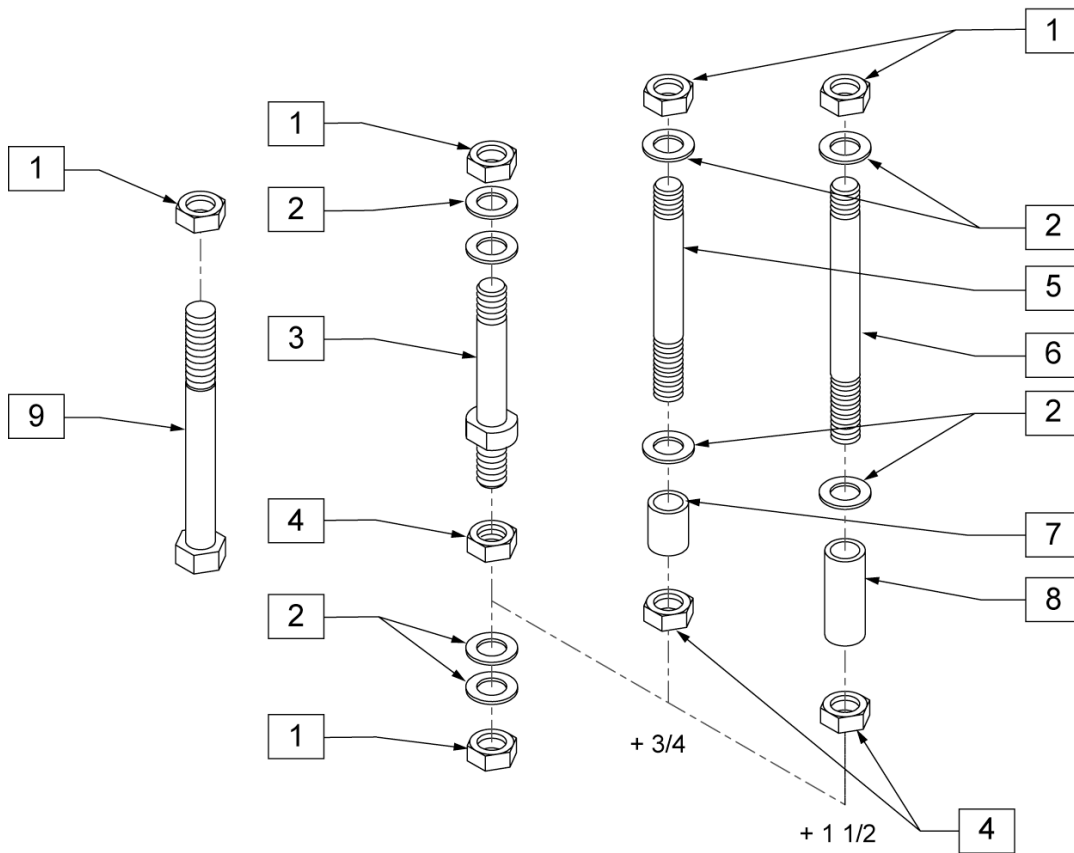


Pos.	Item Number	Description	Remarks
1A	780800	5 1/4" STD STEM W/ HDWR BLK	
1A	780801	5 1/4" STD STEM PL W/ HDWR BLK	
1A	780802	5 1/4" STD STEM PL W/ HDWR BLK	RIGHT
1A	780803	5 1/4" STD STEM PL W/ HDWR BLK	LEFT
1A	780804	5 1/4" + 3/4" STEM W/ HDWR BLK	
1A	780805	5 1/4" + 3/4" STEM PL W/ HDWR BLK	
1A	780806	5 1/4" + 3/4" STEM PL W/ HDWR BLK	RIGHT
1A	780807	5 1/4" + 3/4" STEM PL W/ HDWR BLK	LEFT
1A	780808	5 1/4" + 1 1/2" STEM W/ HDWR BLK	
1A	780809	5 1/4" + 1 1/2" STEM PL W/ HDWR BLK	
1A	780810	5 1/4" + 1 1/2" STEM PL W/ HDWR BLK	RIGHT
1A	780811	5 1/4" + 1 1/2" STEM PL W/ HDWR BLK	LEFT
1A	780812	5 1/4" QR W/ HDWR O/S	
1A	780813	5 1/4" QR PL W/ HDWR O/S	
1A	780814	5 1/4" GP STD STEM W/ HDWR	
1A	780815	5 1/4" GP + 3/4" STEM W/ HDWR	
1A	780816	5 1/4" GP + 1 1/2" STEM W/ HDWR	
1A	780817	5 1/4" GP QR W/ HDWR O/S	
1A	781800	5 1/4" STD STEM W/ HDWR CLR	
1A	781801	5 1/4" STD STEM PL W/ HDWR CLR	RIGHT
1A	781802	5 1/4" STD STEM PL W/ HDWR CLR	LEFT
1A	781803	5 1/4" + 3/4" STEM W/ HDWR CLR	
1A	781804	5 1/4" + 3/4" STEM PL W/ HDWR CLR	RIGHT
1A	781805	5 1/4" + 3/4" STEM PL W/ HDWR CLR	LEFT
1A	781806	5 1/4" + 1 1/2" STEM W/ HDWR CLR	
1A	781807	5 1/4" + 1 1/2" STEM PL W/ HDWR CLR	RIGHT
1A	781808	5 1/4" + 1 1/2" STEM PL W/ HDWR CLR	LEFT
1B	780640	6" 1 1/2" STEM BLK	
1B	780840	6" STD STEM W/ HDWR BLK	
1B	780841	6" STD STEM PL W/ HDWR BLK	
1B	780842	6" STD STEM PL W/ HDWR BLK	RIGHT
1B	780843	6" STD STEM PL W/ HDWR BLK	LEFT
1B	780844	6" + 3/4" STEM W/ HDWR BLK	

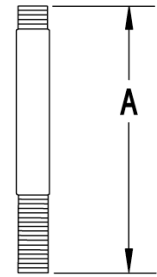
Pos.	Item Number	Description	Remarks
1B	780845	6" + 3/4 STEM PL W/ HDWR BLK	
1B	780846	6" + 3/4 STEM PL W/ HDWR BLK	RIGHT
1B	780847	6" + 3/4 STEM PL W/ HDWR BLK	LEFT
1B	780848	6" + 1 1/2 STEM W/ HDWR BLK	
1B	780849	6" + 1 1/2 STEM PL W/ HDWR BLK	
1B	780850	6" + 1 1/2 STEM PL W/ HDWR BLK	RIGHT
1B	780851	6" + 1 1/2 STEM PL W/ HDWR BLK	LEFT
1B	780852	6" QR W/ HDWR O/S	
1B	780853	6" QR PL W/ HDWR O/S	
1B	780854	6" GP STD STEM W/ HDWR	
1B	780855	6" GP + 3/4 STEM W/ HDWR	
1B	780856	6" GP + 1 1/2 STEM W/ HDWR	
1B	780857	6" GP QR W/ HDWR O/S	
1B	781809	6" STD STEM W/ HDWR CLR	
1B	781810	6" STD STEM PL W/ HDWR CLR	RIGHT
1B	781811	6" STD STEM PL W/ HDWR CLR	LEFT
1B	781812	6" + 3/4 STEM W/ HDWR CLR	
1B	781813	6" + 3/4 STEM PL W/ HDWR CLR	RIGHT
1B	781814	6" + 3/4 STEM PL W/ HDWR CLR	LEFT
1B	781815	6" + 1 1/2 STEM W/ HDWR CLR	
1B	781816	6" + 1 1/2 STEM PL W/ HDWR CLR	RIGHT
1B	781817	6" + 1 1/2 STEM PL W/ HDWR CLR	LEFT
1C	780880	7" STD STEM W/ HDWR BLK	
1C	780897	7" GP QR W/ HDWR O/S	
1C	781818	7" STD STEM W/ HDWR CLR	
1C	781819	7" STD STEM PL W/ HDWR CLR	RIGHT
1C	781820	7" STD STEM PL W/ HDWR CLR	LEFT
1C	781821	7" + 3/4 STEM W/ HDWR CLR	
1C	781822	7" + 3/4 STEM PL W/ HDWR CLR	RIGHT
1C	781823	7" + 3/4 STEM PL W/ HDWR CLR	LEFT
1C	781824	7" + 1 1/2 STEM W/ HDWR CLR	
1C	781825	7" + 1 1/2 STEM PL W/ HDWR CLR	RIGHT
1C	781826	7" + 1 1/2 STEM PL W/ HDWR CLR	LEFT
1D	780950	3 1/4" GP STD STEM W/ STD HDWR	
1E	780400	4 1/4" GP STD STEM W/ HDWR	
1F	780814	5 1/4" GP STD STEM W/ HDWR	
1F	780815	5 1/4" GP + 3/4 STEM W/ HDWR	
1F	780816	5 1/4" GP + 1 1/2 STEM W/ HDWR	
1F	780817	5 1/4" GP QR W/ HDWR O/S	
1F	780818	5 1/4" GP STD STEM PL W/ HDWR	RIGHT
1F	780819	5 1/4" GP STD STEM PL W/ HDWR	LEFT
1F	780820	5 1/4" GP STD STEM PL W/ HDWR	
1F	780821	5 1/4" GP + 3/4 STEM PL W/ HDWR	RIGHT
1F	780822	5 1/4" GP + 3/4 STEM PL W/ HDWR	LEFT
1F	780823	5 1/4" GP + 3/4 STEM PL W/ HDWR	
1F	780824	5 1/4" GP + 1 1/2 STEM PL W/ HDWR	
1F	780825	5 1/4" GP + 1 1/2 STEM PL W/ HDWR	RIGHT
1F	780826	5 1/4" GP + 1 1/2 STEM PL W/ HDWR	LEFT
1F	780827	5 1/4" GP QR	
1G	780852	6" QR W/ HDWR O/S	
1G	780853	6" QR PL W/ HDWR O/S	
1G	780854	6" GP STD STEM W/ HDWR	
1G	780855	6" GP + 3/4 STEM W/ HDWR	
1G	780856	6" GP + 1 1/2 STEM W/ HDWR	
1G	780857	6" GP QR W/ HDWR O/S	
1G	780858	6" GP STD STEM PL W/ HDWR	
1G	780859	6" GP STD STEM PL W/ HDWR	RIGHT

Pos.	Item Number	Description	Remarks
1G	780860	6" GP STD STEM PL W/ HDWR	LEFT
1G	780861	6" GP + 3/4 STEM PL W/ HDWR	
1G	780862	6" GP + 3/4 STEM PL W/ HDWR	RIGHT
1G	780863	6" GP + 3/4 STEM PL W/ HDWR	LEFT
1G	780864	6" GP + 1 1/2 STEM PL W/ HDWR	
1G	780865	6" GP + 1 1/2 STEM PL W/ HDWR	RIGHT
1G	780866	6" GP + 1 1/2 STEM PL W/ HDWR	LEFT
1G	780867	6" GP QR PL W/ HDWR O/S	
1H	780894	7" GP STD STEM W/ HDWR	
1H	780895	7" GP + 3/4 STEM W/ HDWR	
1H	780896	7" GP + 1 1/2 STEM W/ HDWR	
1H	780897	7" GP QR W/ HDWR O/S	
1H	780898	7" GP STD STEM PL W/ HDWR	
1H	780899	7" GP STD STEM PL W/ HDWR	RIGHT
1H	780900	7" GP STD STEM PL W/ HDWR	LEFT
1H	780901	7" GP + 3/4 STEM PL W/ HDWR	
1H	780902	7" GP + 3/4 STEM PL W/ HDWR	RIGHT
1H	780903	7" GP + 3/4 STEM PL W/ HDWR	LEFT
1H	780904	7" GP + 1 1/2 STEM PL W/ HDWR	
1H	780905	7" GP + 1 1/2 STEM PL W/ HDWR	RIGHT
1H	780906	7" GP + 1 1/2 STEM PL W/ HDWR	LEFT
1H	780907	7" GP QR PL W/ HDWR O/S	
1J	780951	3 1/4" GP STD STEM W/ HDWR	
1J	780952	3 1/4" GP STD STEM PL W/ HDWR	
1J	780953	3 1/4" GP STD STEM PL W/ HDWR	RIGHT
1J	780954	3 1/4" GP STD STEM PL W/ HDWR	LEFT
1J	780955	3 1/4" GP + 3/4 STEM W/ HDWR	
1J	780956	3 1/4" GP + 3/4 STEM PL W/ HDWR	
1J	780957	3 1/4" GP + 3/4 STEM PL W/ HDWR	RIGHT
1J	780958	3 1/4" GP + 3/4 STEM PL W/ HDWR	LEFT
1J	780959	3 1/4" GP 3D STEM W/ HDWR TI	NOTE: TI
1J	780960	3 1/4" GP + 1 1/2 STEM W/ HDWR	
1J	780961	3 1/4" GP + 1 1/2 STEM PL W/ HDWR	
1J	780962	3 1/4" GP + 1 1/2 STEM PL W/ HDWR	RIGHT
1J	780963	3 1/4" GP + 1 1/2 STEM PL W/ HDWR	LEFT
1K	780981	4 3/4" STD STEM PL W/ HDWR BLK	RIGHT
1K	780982	4 3/4" + 3/4 STEM W/ HDWR BLK	
1K	780983	4 3/4" + 3/4 STEM PL W/ HDWR BLK	RIGHT
1K	780984	4" + 1 1/2 STEM W/ HDWR BLK	
1K	780985	4" + 1 1/2 STEM PL W/ HDWR BLK	RIGHT
1K	780986	4" + 3/4 STD STEM PL W/ HDWR BLK	LEFT
1K	780987	4" 3/4 + 3/4 STEM PL W/ HDWR BLK	LEFT
1K	780988	4" + 1 1/2 STEM W/ HDWR BLK	
1K	781827	4 3/4" STD STEM W/ HDWR CLR	
1K	781828	4 3/4" STD STEM PL W/ HDWR CLR	RIGHT
1K	781829	4 3/4" STD STEM PL W/ HDWR CLR	LEFT
1K	781830	4" + 3/4 STEM W/ HDWR CLR	
1K	781831	4" + 3/4 STEM PL W/ HDWR CLR	RIGHT
1K	781832	4" + 3/4 STEM PL W/ HDWR CLR	LEFT
1K	781833	4" + 1 1/2 STEM W/ HDWR CLR	
1K	781834	4" + 1 1/2 STEM PL W/ HDWR CLR	RIGHT
1K	781835	4" + 1 1/2 STEM PL W/ HDWR CLR	LEFT
1L	787111	8" x 2" FORK STANDARD STEM W/ HDWR	
1L	787112	8" x 2" + 3/4 STEM W/ HDWR	
1L	787113	8" x 2" + 1 1/2 STEM W/ HDWR	
2A	202100-MJ	5/16 - 24 NYLOCK NUT THIN	
2B	330005	5/16 - 24 NYLOCK NUT ALUMINUM	

Pos.	Item Number	Description	Remarks
3	481113	SPACER 5/16 x .380	
4A	222200	5/16 -24 x 2 1/2 HEX C/S	
4B	330110	5/16 - 24 x 2 1/2 HEX C/S TI	
5A	203100	1/2 -20 NYLOCK NUT	
5B	330010	1/2 - 20 NYLOCK NUT ALUMINUM	
6	264100	1/2 AN WASHER FLAT	
7	222253	5/16 -24 x 3 1/4 HEX C/S	
8	263110-QU	5/16 AN WASHER FLAT	



MEASURING GUIDE



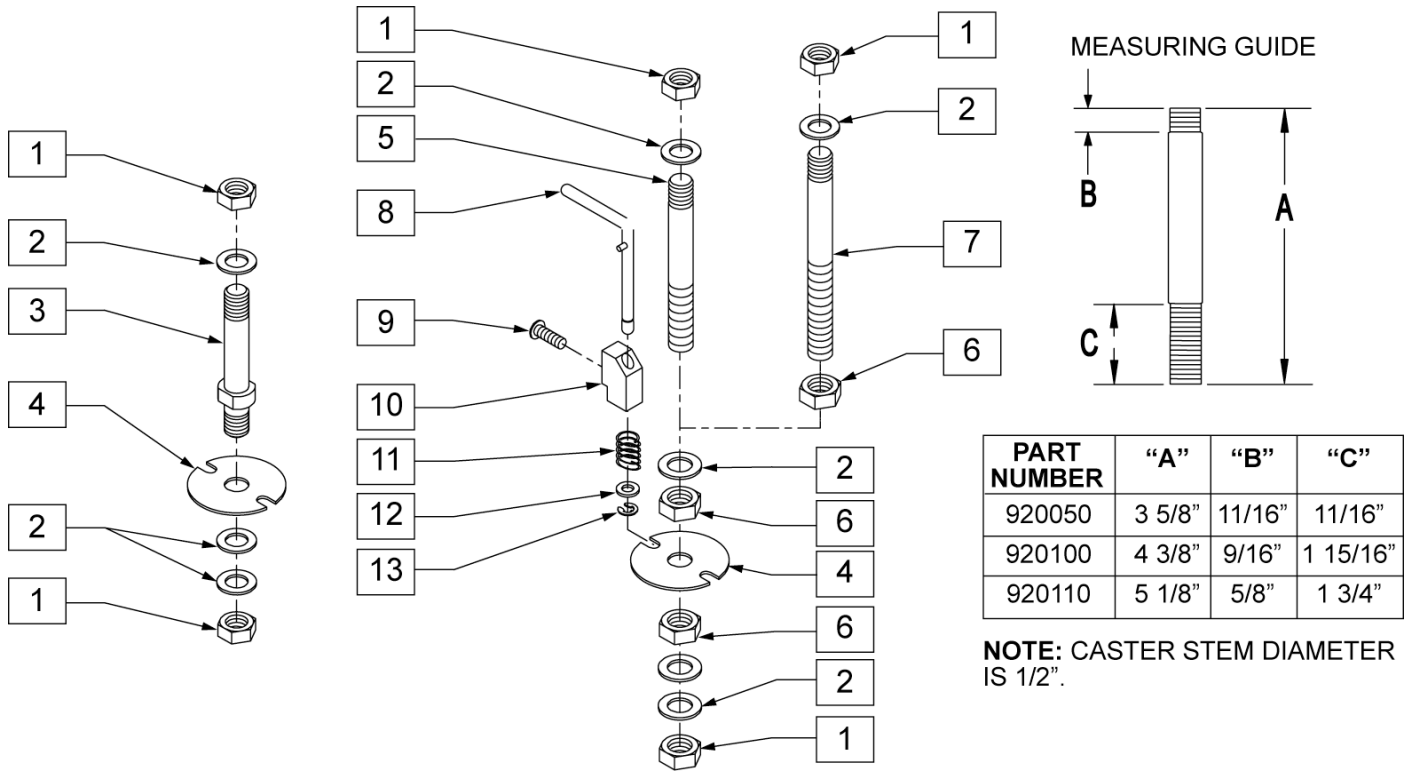
PART NUMBER	"A"
920050	3 5/8"
920100	4 3/8"
920110	5 1/8"

NOTE: CASTER STEM DIAMETER IS 1/2".

Pos.	Item Number	Description	Remarks
1	203100	1/2 - 20 NYLOCK NUT	
2	264100	1/2 AN WASHER FLAT	
4	203110	1/2 - 20 JAM NUT	
7	521560	+ 3/4" CASTER STEM SPACER BLK	
7	521585	+ 3/4" CASTER STEM SPACER CLEAR	
8	521562	+ 1 1/2" CASTER STEM SPACER BLK	
8	521586	+ 1 1/2" CASTER STEM SPACER CLEAR	
9	222292	1/2 - 20 x 4" GR 8 HEX C/S	
1-3	920050	REG CASTER STEM W/ HARDWARE	
1, 2, 4, 5, 7	920100	+ 3/4" CASTER STEM W/ HARDWARE BLK	
1, 2, 4, 5, 7	920507	+ 3/4" CASTER STEM W/ HARDWARE CLEAR	
1, 2, 4, 6, 8	920110	+ 1 1/2" CASTER STEM W/ HARDWARE BLK	
1, 2, 4, 6, 8	920508	+ 1 1/2" CASTER STEM W/ HARDWARE CLEAR	
1, 2, 9	920056	BL CASTER STEM W/ HARDWARE	

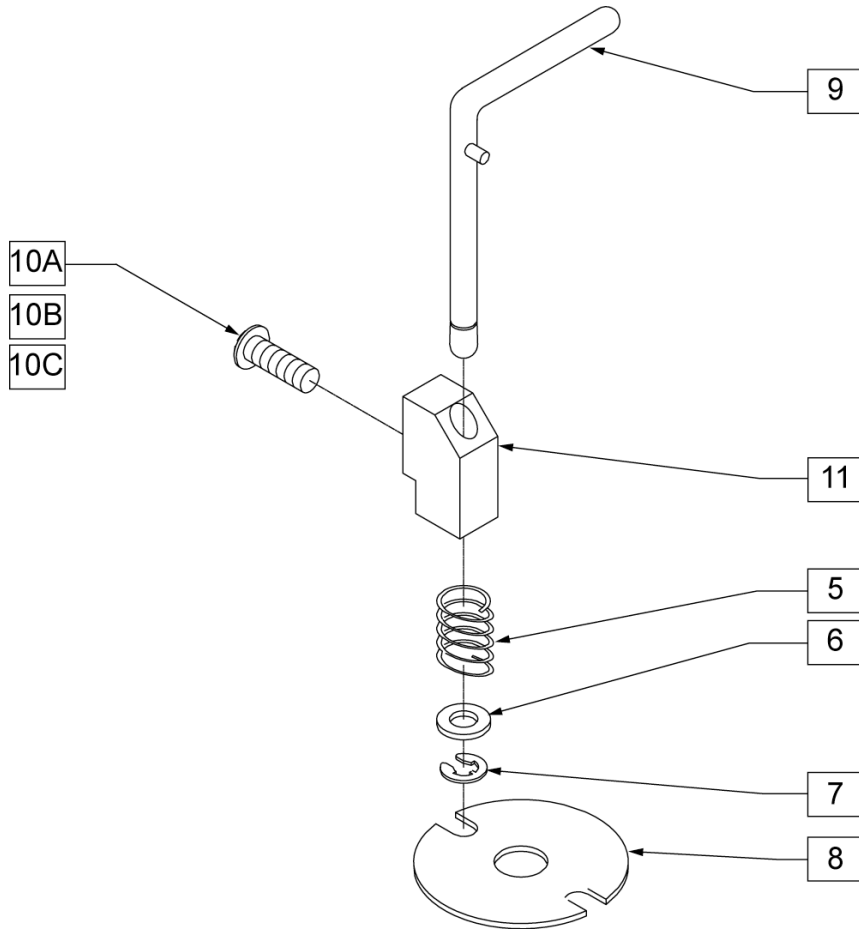
CASTER STEMS (PIN LOCK)

[03/2007]



Pos.	Item Number	Description	Remarks
1	203100	1/2 - 20 NYLOCK NUT	
2	264100	1/2 AN WASHER FLAT	
4	505012	CASTER PIN LOCK PLATE	
6	203110	1/2 - 20 JAM NUT	
8	880761	PIN LOCK ARM W/ PIN S/A	RIGHT
8	880762	PIN LOCK ARM W/ PIN S/A	LEFT
9	226090	1/4 - 28 x 5/8 BH C/S	
10	500262	CASTER PIN LOCK BLOCK S/A BLK	
11	321141	.650L x 6 COIL SPRING	
12	262100-QU	1/4 AN WASHER FLAT	
13	324000	1/4" E-CLIP	
1-4	920051	REG CASTER STEM P/L W/ HARDWARE	
1, 2, 4, 5, 6	920101	3/4" CASTER STEM P/L W/ HARDWARE	
1, 2, 4, 6, 7	920111	1 1/2" CASTER STEM P/L W/ HARDWARE	
1, 2, 4-6, 8-13	900800	CASTER PIN LOCK W/ 3/4" STEM ASSM	
1, 2, 4, 6-13	900802	CASTER PIN LOCK W/ 1 1/2" STEM ASSM	

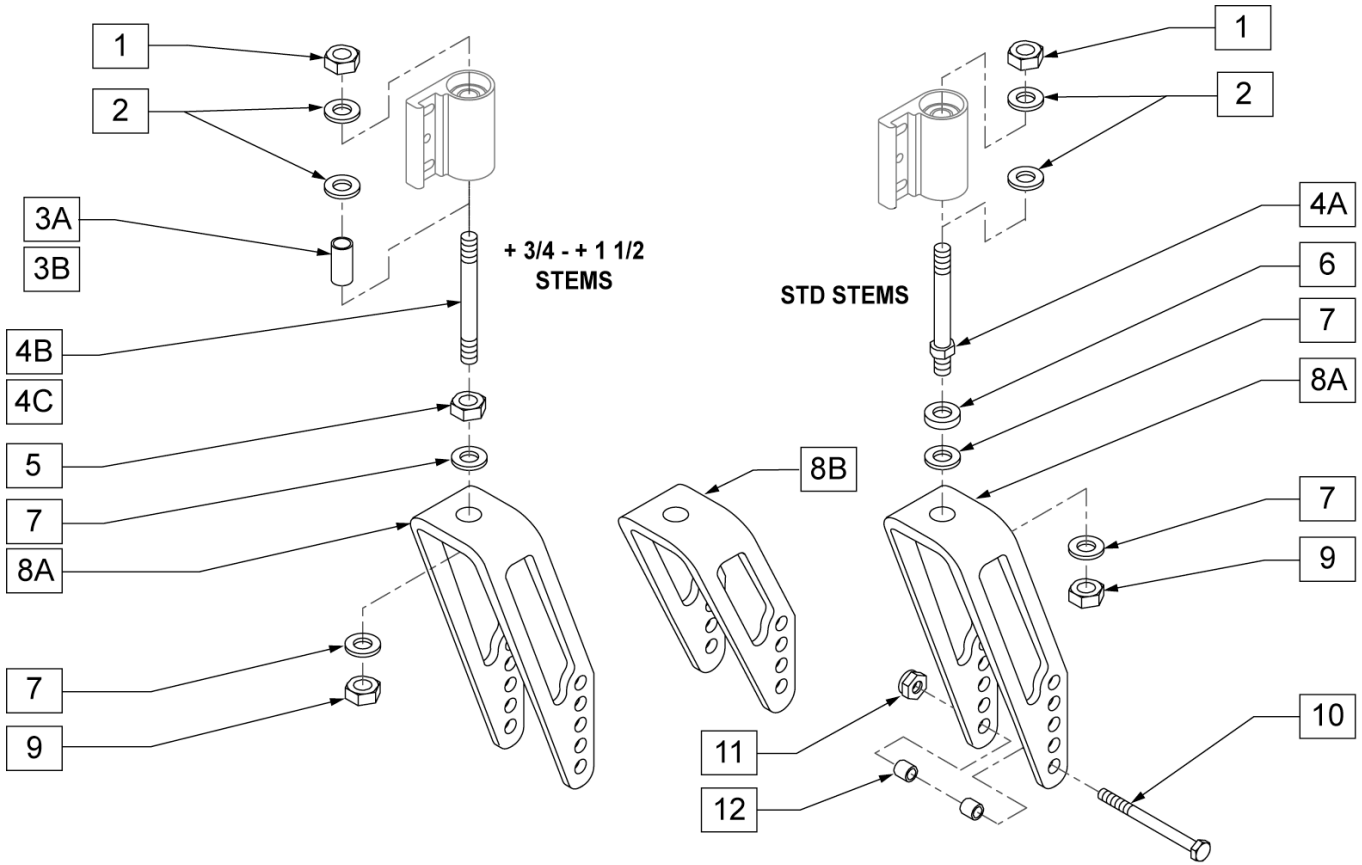
CASTER PIN LOCK



Pos.	Item Number	Description	Remarks
5	321141	.650L x 6 COIL SPRING	
6	262100-QU	1/4 AN WASHER FLAT	
7	324000	1/4" E-CLIP	
8	505012	CASTER PIN LOCK PLATE	
9	880761	PIN LOCK ARM W/ PIN S/A	RIGHT
9	880762	PIN LOCK ARM W/ PIN S/A	LEFT
10A	226090	1/4 - 28 x 5/8 BH C/S	
10B	221151-QU	1/4 - 28 x 1 3/4 G8 HEX C/S	
10C	221192	1/4 - 28 x 2 G8 HEX C/S	
11	500262	CASTER PIN LOCK BLOCK S/A BLK	
5-7, 9, 11	880750	CASTER PIN LOCK S/A	RIGHT
5-7, 9, 11	880751	CASTER PIN LOCK S/A	LEFT
5-9, 10C,11	900807	CASTER PIN LOCK ASSM GP/GPV	
1-8	900804	CASTER PIN LOCK KIT TRIANGULAR CASTER NON-S/A OFF CHAIR	PAIR
5-11	900806	CASTER PIN LOCK ASSM S/A OFF CHAIR	PAIR

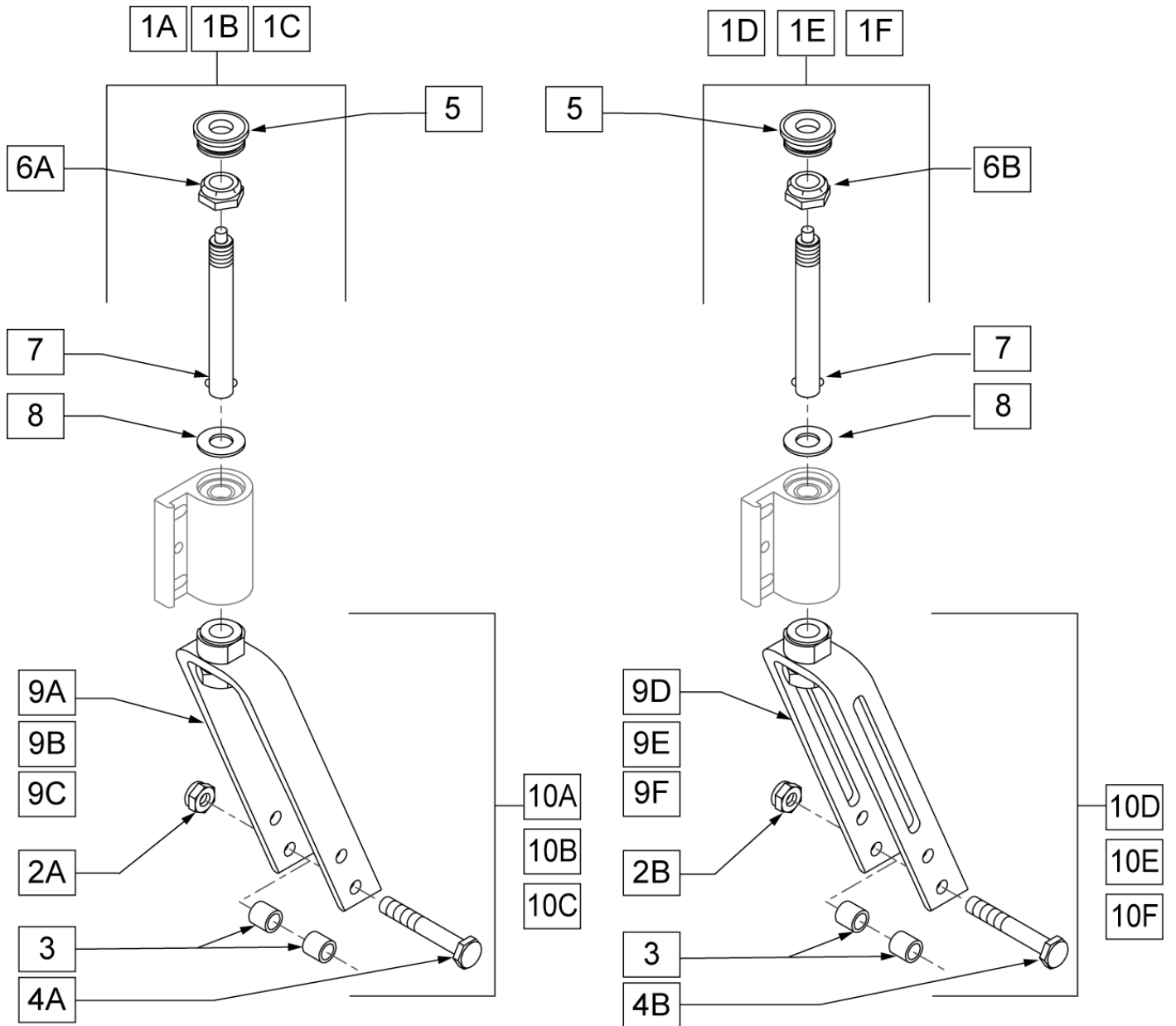
MULTI-POSITION FORK

[04/2007]



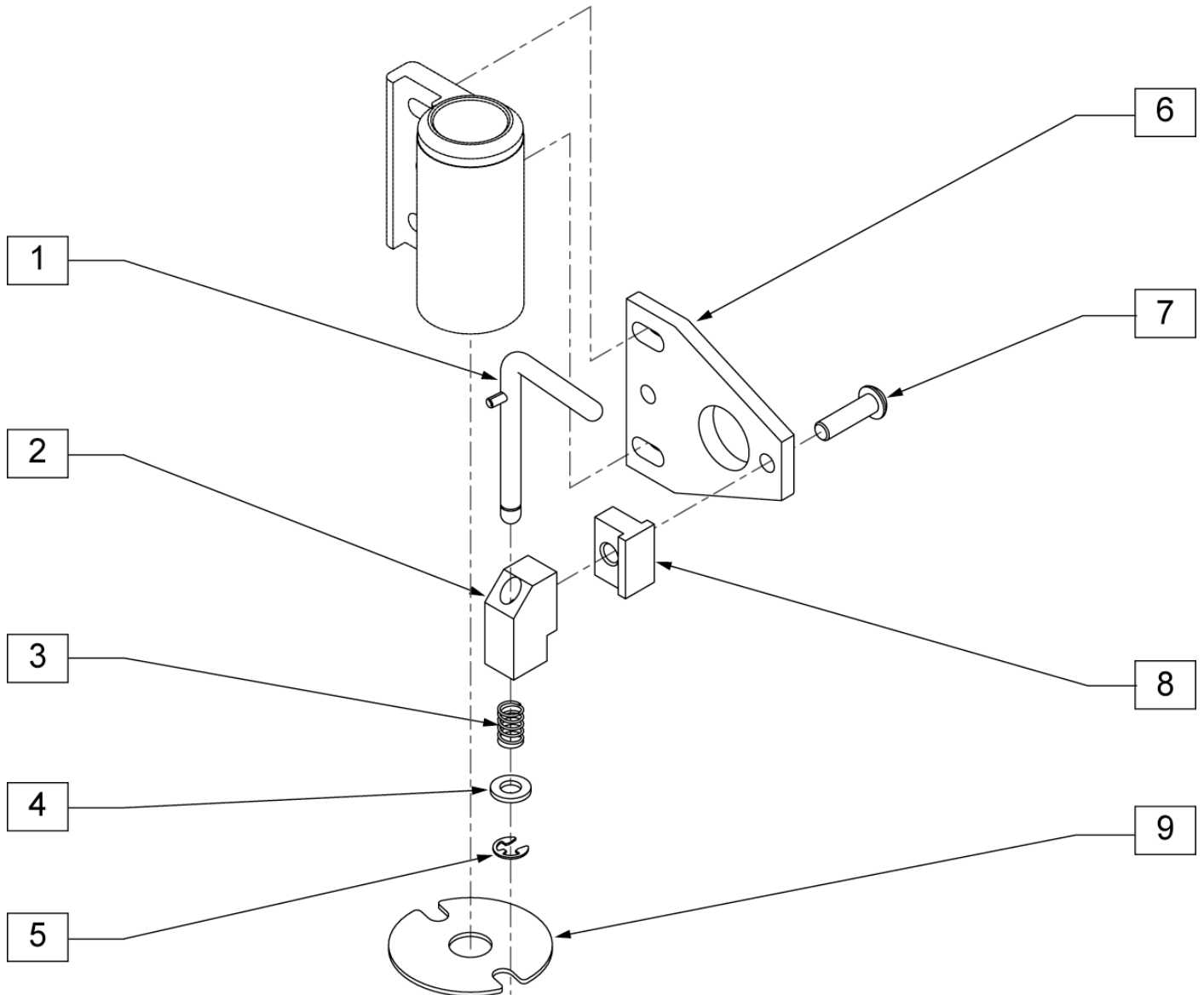
Pos.	Item Number	Description	Remarks
1	203100	1/2 - 20 NYLOCK NUT	
2	264100	1/2 AN WASHER FLAT	
3A	521560	+ 3/4" CASTER STEM SPACER BLK	
3B	521562	+ 1 1/2" CASTER STEM SPACER BLK	
4A	481712	CASTER STEM SPACER P1/P5	
4B	481004	CASTER STEM + 3/4"	
4C	481006	CASTER STEM + 1-1/2"	
5	203110	1/2 - 20 JAM NUT	
6	483254	SPACER .50 ID x .88 OD x .125	
7	264100	1/2 AN WASHER FLAT	
8A	550644	MULTI-POSITION FORK TALL	
8B	550646	MULTI-POSITION FORK SHORT	
9	203100	1/2 - 20 NYLOCK NUT	
10	222200	5/16 - 24 x 2 1/2 HEX C/S	
11	202100-MJ	5/16 - 24 NYLOCK NUT THIN	
12	481113	SPACER 5/16 x .380	
4A, 6, 7, 8A, 9	780236	MULTI-POSITION FORK TALL STD STEM	
4B, 5, 7, 8A, 9	780237	MULTI-POSITION FORK TALL 3/4 STEM	
4C, 5, 7, 8B, 9	780238	MULTI-POSITION FORK TALL 1 1/2 STEM	
4A, 6, 7, 8B, 9	780239	MULTI-POSITION FORK SHORT STD STEM	
4B, 5, 7, 8B, 9	780240	MULTI-POSITION FORK SHORT 3/4 STEM	
4C, 5, 7, 8B, 9	780241	MULTI-POSITION FORK SHORT 1 1/2 STEM	
1, 2, 4, 6-12	780330	MULTI-POSITION FORK TALL S STEM W/ HDWR	
1-3, 4B, 5, 7-12	780331	MULTI-POSITION FORK TALL 3/4 STEM W/ HDWR	
1, 2, 3B, 4C, 5, 7-12	780332	MULTI-POSITION FORK TALL 1 1/2 STEM W/HDWR	

Pos.	Item Number	Description	Remarks
1, 2, 4A, 6, 7, 8B, 9-12	780333	MULTI-POSITION FORK SHORT STD STEM W/ HDWR	
1-3, 4B, 5, 7, 8B, 9-12	780334	MULTI-POSITION FORK SHORT 3/4 STEM W/HDWR	
1, 2, 3B, 4C, 5, 7, 8B, 9-12	780335	MULTI-POSITION FORK SHORT 1 1/2 STEM W/HDWR	

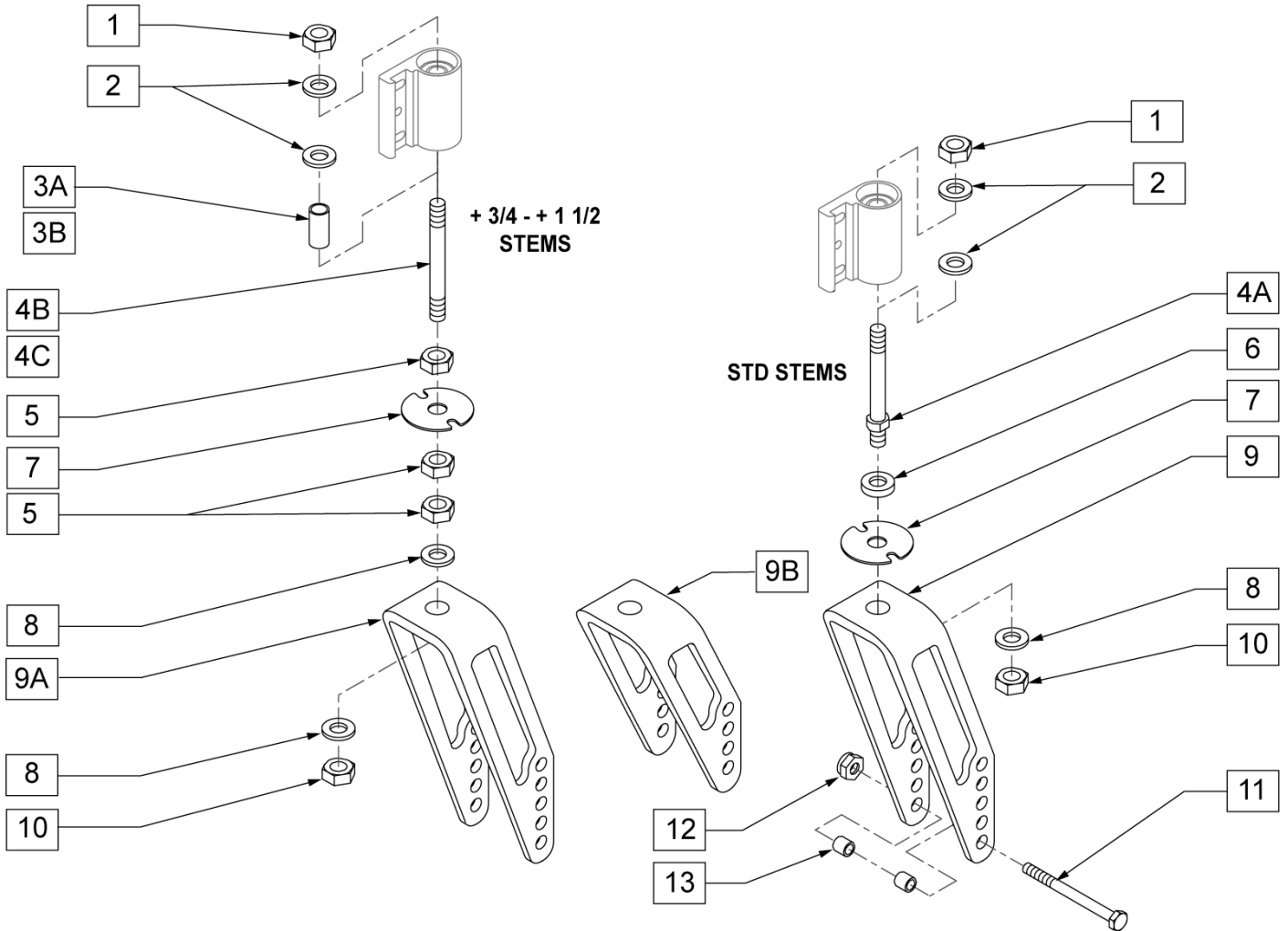


Pos.	Item Number	Description	Remarks
1A	780798	5 1/4" FORK AND STEM ASSM QR	
1B	780798	6" FORK AND STEM ASSM QR	
1C	780798	6" FORK AND STEM ASSM QR	
1D	780798	5 1/4" SLOTTED FORK AND STEM ASSM QR	
1E	780798	6" SLOTTED FORK AND STEM ASSM QR	
1F	780798	7" SLOTTED FORK AND STEM ASSM QR	
2A	202100-MJ	5/16 - 24 NYLOCK NUT THIN	
2B	330005	5/16 - 24 NYLOCK NUT ALUMINUM	
3	481113	SPACER 5/16 x .380	
4A	222200	5/16 - 24 x 2 1/2 HEX CS	
4B	330110	5/16 - 24 x 2 1/2 HEX CS TI	
5	561170	CASTER CAP PLASTIC WHOLE	
5	920029	MODIFIED CASTER CAP	PAIR
6A	203100	1/2 - 20 NYLOCK NUT	

Pos.	Item Number	Description	Remarks
6B	330010	1/2 - 24 NYLOCK NUT ALUMINUM	
7	349006	QUICK RELEASE CASTER STEM	
8	264100	1/2 " AN WASHER FLAT	
6-8	920123	CASTER STEM W/ HARDWARE QR	
6B, 7, 8	920127	CASTER STEM W/ HARDWARE SLOTTED QR	
9A	780592	5 1/4" FORK AND ADAPTER QU	
9B	780692	6" FORK AND ADAPTER QU	
9C	780792	7" FORK AND ADAPTER QU	
9D	780593	6" SLOTTED FORK AND ADAPTER QU	
9E	780693	6" SLOTTED FORK AND ADAPTER QU	
9F	780793	7" SLOTTED FORK AND ADAPTER QU	
10A	780797	5 1/4" FORK W/ HARDWARE QU	
10B	780837	6" FORK W/ HARDWARE QU	
10C	780877	7" FORK W/ HARDWARE QU	
10D	780828	5 1/4" SLOTTED FORK W/ HARDWARE QR	
10E	780868	6" SLOTTED FORK W/ HARDWARE QR	
10F	780908	7" SLOTTED FORK W/ HARDWARE QR	



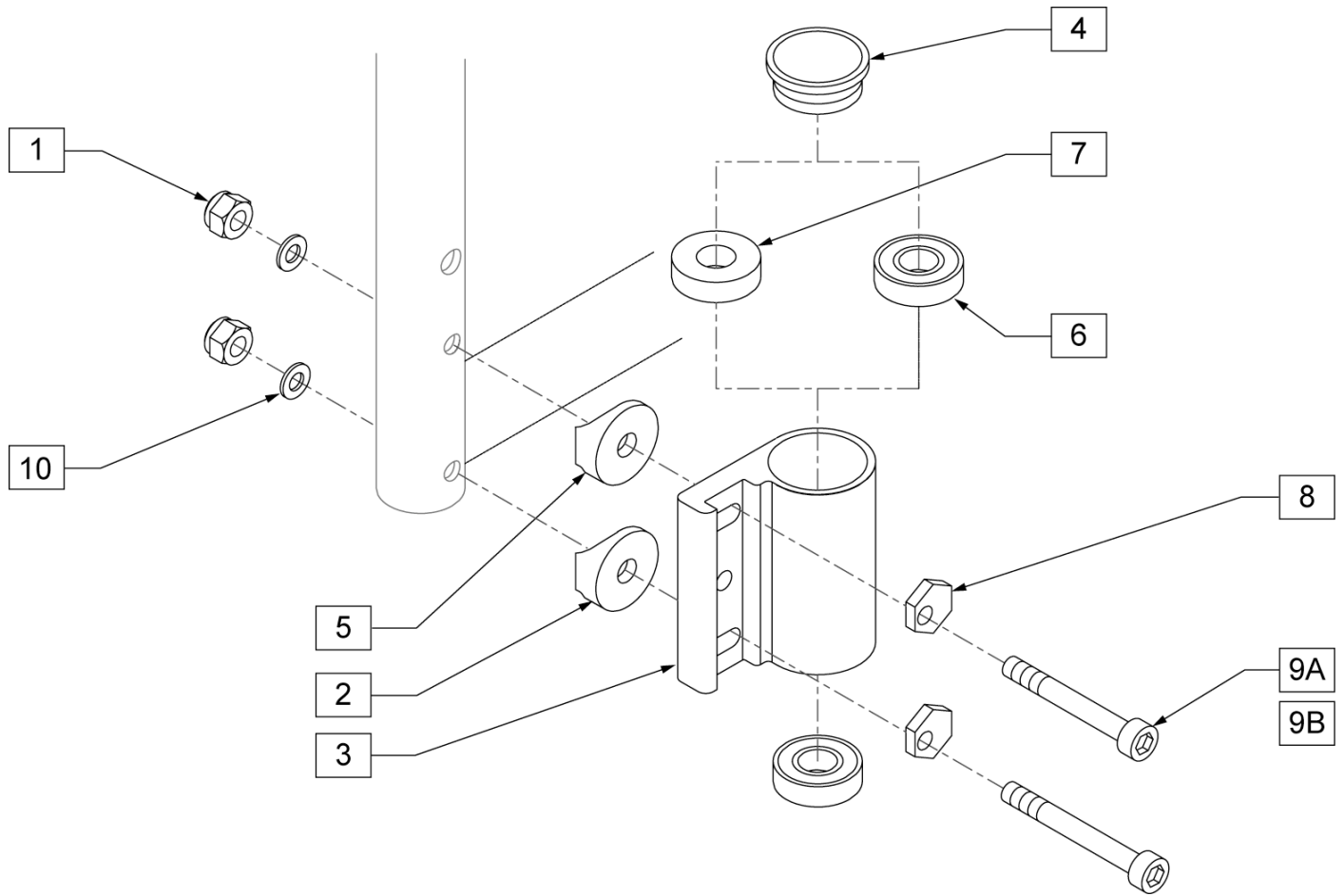
Pos.	Item Number	Description	Remarks
1	880761	PIN LOCK ARM W/ PIN S/A	RIGHT
1	880762	PIN LOCK ARM W/ PIN S/A	LEFT
2	500262	CASTER PIN LOCK BLOCK S/A BLK	
3	321141	.650L x 6 COIL SPRING	
4	262100-QU	1/4" AN WASHER FLAT	
5	342000	1/4" E-CLIP	
6	505667	PIN LOCK PLATE HI-ANGLE CASTER	
7	226168	1/4 - 28 x .875 BH C/S	
8	505666	PIN LOCK BLOCK HI-ANGLE CASTER	
9	505012	CASTER PIN LOCK PLATE 1	
1-5	880750	CASTER PIN LOCK S/A	RIGHT
1-5	880751	CASTER PIN LOCK S/A	LEFT
1-8	882700	HI-ANGLE CASTER PIN LOCK ASSM	RIGHT
1-8	882701	HI-ANGLE CASTER PIN LOCK ASSM	LEFT



Pos.	Item Number	Description	Remarks
1	203100	1/2 - 20 NYLOCK NUT	
2	264100	1/2 AN WASHER FLAT	
3A	521560	3/4" CASTER STEM SPACER BLK	
3B	521562	1 1/2" CASTER STEM SPACER BLK	
4A	481712	CASTER STEM P1/P5	
4B	481005	CASTER STEM + 3/4" PIN LOCK	
4C	481007	CASTER STEM + 1-1/2" PIN LOCK	
5	203110	1/2 - 20 JAM NUT	
6	483254	SPACER .50 ID x .88 OD x .125	
7	505012	CASTER PIN LOCK PLATE	
8	264100	1/2" AN WASHER FLAT	
9A	550644	MULTI-POSITION FORK TALL	
9B	550646	MULTI-POSITION FORK SHORT	
10	203100	1/2 - 20 NYLOCK NUT	
11	222200	5/16 - 24 x 2 1/2 HEX C/S	
12	202100-MJ	5/16 - 24 NYLOCK NUT THIN	
13	481113	SPACET 5/16 x .380	
4A, 6, 7-10	780242	MULTI-POSITION FORK TALL STD STEM PL	RIGHT
4A, 6, 7-10	780243	MULTI-POSITION FORK TALL STD STEM PL	LEFT
4B, 5, 7-10	780244	MULTI-POSITION FORK TALL 3/4 STEM PL	RIGHT

Pos.	Item Number	Description	Remarks
4B, 5, 7-10	780245	MULTI-POSITION FORK TALL 3/4 STEM PL	LEFT
4C, 5, 7-10	780246	MULTI-POSITION FORK TALL 1 1/2 STEM PL	RIGHT
4C, 5, 7-10	780247	MULTI-POSITION FORK TALL 1 1/2 STEM PL	LEFT
4A, 6-8, 9B, 10	780248	MULTI-POSITION FORK SHORT STD STEM PL	RIGHT
4A, 6-8, 9B, 10	780249	MULTI-POSITION FORK SHORT STD STEM PL	LEFT
4B, 5, 7, 8, 9B, 10	780254	MULTI-POSITION FORK SHORT 3/4 STEM PL	RIGHT
4B, 5, 7, 8, 9B, 10	780255	MULTI-POSITION FORK SHORT 3/4 STEM PL	LEFT
4C, 5, 7, 8, 9B, 10	780256	MULTI-POSITION FORK SHORT 1 1/2 STEM PL	RIGHT
4C, 5, 7, 8, 9B, 10	780257	MULTI-POSITION FORK SHORT 1 1/2 STEM PL	LEFT
1, 2, 4, 6, 7-13	780336	MULTI-POSITION FORK TALL STD STEM PL W/HDWR	RIGHT
1, 2, 4, 6, 7-13	780337	MULTI-POSITION FORK TALL STD STEM PL W/HDWR	LEFT
1-3, 4B, 5, 7-13	780338	MULTI-POSITION FORK TALL 3/4 STEM PL W/HDWR	RIGHT
1-3, 4B, 5, 7-13	780339	MULTI-POSITION FORK TALL 3/4 STEM PL W/HDWR	LEFT
1, 2, 3B, 4C, 5, 7-13	780340	MULTI-POSITION FORK TALL 1 1/2 STEM PL W/HDWR	RIGHT
1, 2, 3B, 4C, 5, 7-13	780341	MULTI-POSITION FORK TALL 1 1/2 STEM PL W/HDWR	LEFT
1, 2, 4A, 6-8, 9B, 10-13	780342	MULTI-POSITION FORK SHORT STD STEM PL W/HDWR	RIGHT
1, 2, 4A, 6-8, 9B, 10-13	780343	MULTI-POSITION FORK SHORT STD STEM PL W/HDWR	LEFT
1, 2, 3, 4B, 5, 7, 8, 9B, 10-13	780344	MULTI-POSITION FORK SHORT 3/4 STEM PL W/HDWR	RIGHT
1, 2, 3, 4B, 5, 7, 8, 9B, 10-13	780345	MULTI-POSITION FORK SHORT 3/4 STEM PL W/HDWR	LEFT
1, 2, 3B, 4C, 5, 7, 8, 9B, 10-13	780346	MULTI-POSITION FORK SHORT 1 1/2 STEM PL W/HDWR	RIGHT
1, 2, 3B, 4C, 5, 7, 8, 9B, 10-13	780347	MULTI-POSITION FORK SHORT 1 1/2 STEM PL W/HDWR	LEFT

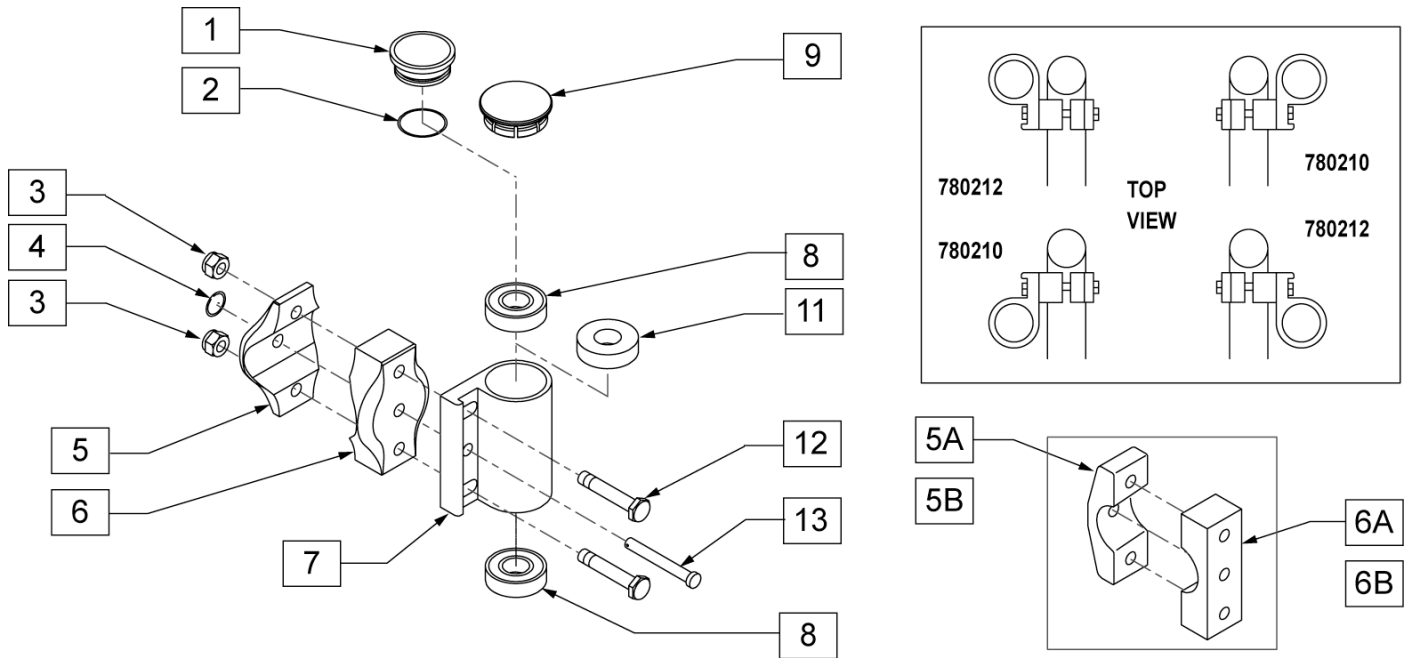
HIGH ANGLE CASTER PLATE



Pos.	Item Number	Description	Remarks
1	201120	1/4 - 28 AUTOMATION NUT	
2	561086	1" HALF SADDLE 1/4" HOLE	
4	561070	CASTER CAP PLASTIC	
4	920028	CASTER CAP PLASTIC	PAIR
5	561004	1" SADDLE 1/4" HOLE	
6	349500	1 1/8 x 1/2 BEARING	
7	561050	ANTI-FLUTTER BUSHING	USED WITH 8" CASTERS
8	262128	WASHER ECCENTRIC HD 1/4 HOLE	
9A	225204	1/4 - 28 x 2 SOC HD C/S	
9B	226257	1/4 - 28 x 2 1/4 SOC HD C/S	
10	262100-QU	1/4" AN WASHER FLAT	
1, 2, 4, 5, 8-10	920474	CASTER PLATE HI ANGLE HARDWARE KIT	
3, 6	780204	CASTER PLATE HI ANGLE DOUBLE BORING	RIGHT
3, 6	780205	CASTER PLATE HI ANGLE DOUBLE BORING	LEFT
3, 6, 7	780206	MULTI-POSITION FORK TALL STD STEM PL	RIGHT
3, 6, 7	780207	MULTI-POSITION FORK TALL STD STEM PL	LEFT

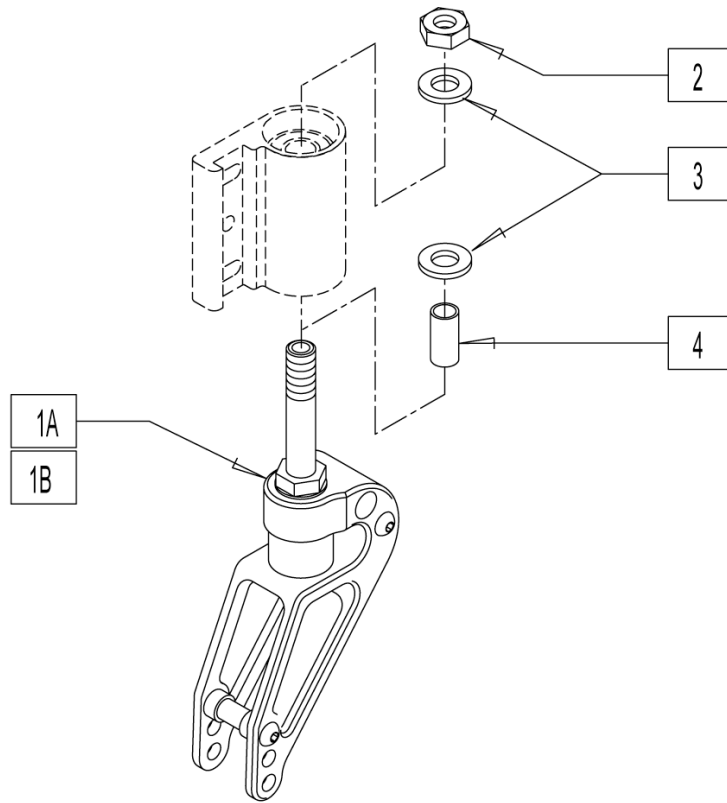
CASTER PLATE

[07/2007]



Pos.	Item Number	Description	Remarks
1, 2	880554	CASTER CAP W/O RING ALUMINUM CLEAR	ITEM 2 USED ON CHAIRS PRIOR TO 4/99
2	342006	CASTER CAP O-RING RUBBER	ITEM 2 USED ON CHAIRS PRIOR TO 4/99
3	201120	1/4 - 28 AUTOMATION NUT	
4	349034	SAFETY COTTER	
5A	500306	INNER CLAMP HALF	
5B	550762	CASTER CLAMP LXJ RECESS	RIGHT
5C	550763	CASTER CLAMP LXJ RECESS	LEFT
6A	500307	OUTER CLAMP HALF	
6B	550760	CASTER CLAMP LXJ	RIGHT
6C	550761	CASTER CLAMP LXJ	LEFT
8	349500	1 1/8 x 1/2 BEARING	
9	561070	CASTER CAP PLASTIC	
9	920028	CASTER CAP PLASTIC	PAIR
11	561050	ANTI-FLUTTER BUSHING	USED WITH 8" CASTERS
12	481017	1/4 - 28 x 1.688 ECCENTRIC BOLT	
13	349027	1/4 x 2 CLEVIS PIN	
7, 8	780210	CASTER PLATE DOUBLE BEARING BLK	RIGHT
7, 8	780212	CASTER PLATE DOUBLE BEARING BLK	LEFT
7, 8	780208	CASTER PLATE DOUBLE BEARING CLEAR	RIGHT
7, 8	780209	CASTER PLATE DOUBLE BEARING CLEAR	LEFT
7, 8, 11	780200	CASTER PLATE SINGLE BEARING BLK	RIGHT
7, 8, 11	780201	CASTER PLATE SINGLE BEARING BLK	LEFT
3-9, 12, 13	780060	CASTER PLATE GP COMPLETE BLK	RIGHT
3-9, 12, 13	780061	CASTER PLATE GP COMPLETE BLK	LEFT
3-9, 12, 13	780040	CASTER PLATE GP COMPLETE CLEAR	RIGHT
3-9, 12, 13	780041	CASTER PLATE GP COMPLETE CLEAR	LEFT

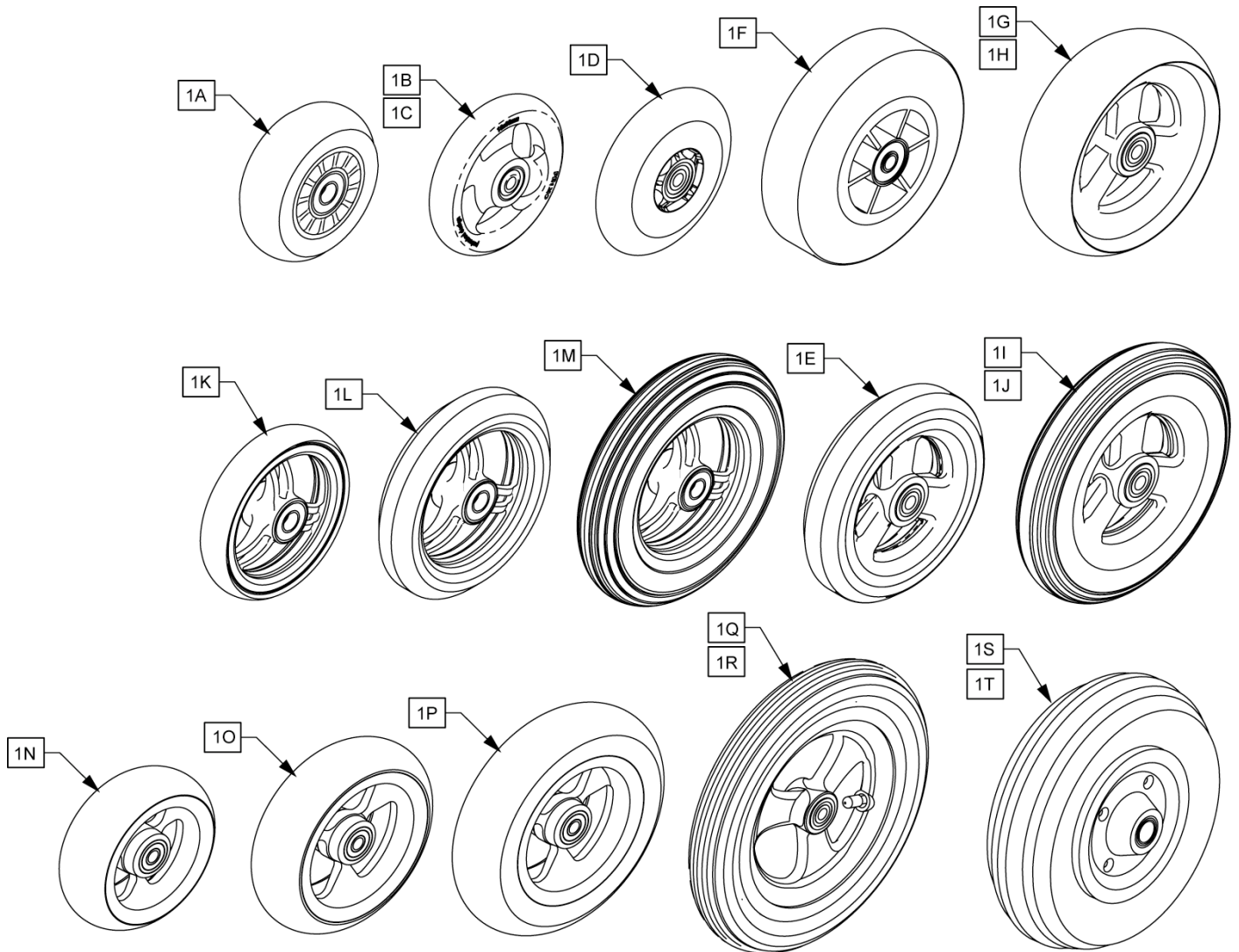
FROG LEG SUSPENSION FORK



Pos.	Item Number	Description	Remarks
1B	921489	FROG LEG 6 INCH 4? STEM	
1A	921488	FROG LEG 6 INCH 2.5? STEM	
2	203100	1/2-20 NYLOCK NUT	
3	264100	1/2 AN WASHER FLAT	
4	521562	+1 1/2 CASTER STEM SPACER BLK	
1A,2-4	921498	"FROG LEG 6"" W/2.5""STEM W/HDWR"	
1B,2-4	921499	"FROG LEG 6"" W/4""STEM W/HDWR"	

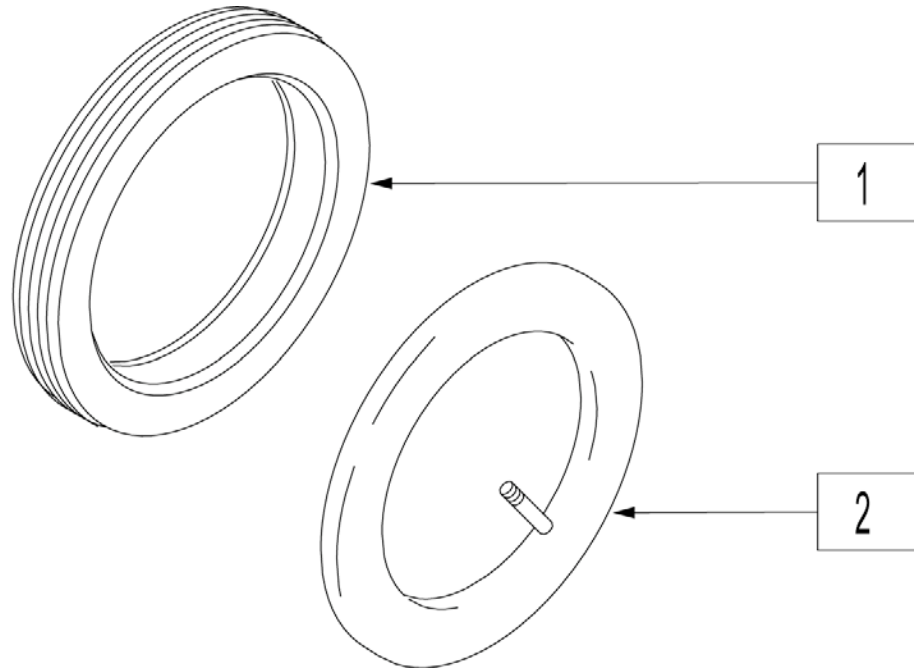
CASTERS

(04/2007)



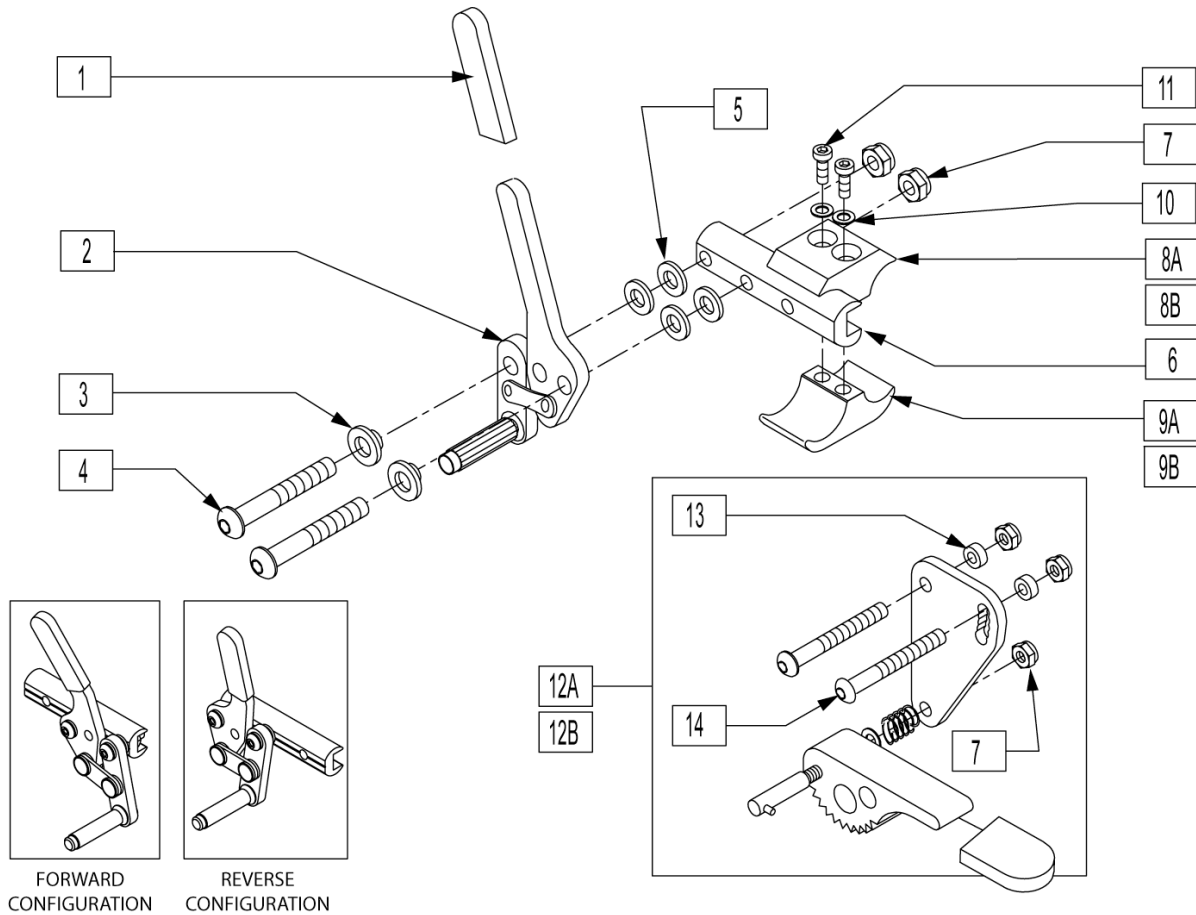
Pos.	Item Number	Description	Remarks
1A	400108	"4"" MICRO CASTER LIGHTED"	
1B	101957	"4""X1-1/4 POLY 3 SPOKE CSTR"	
1C	101098	" CASTER 4"" PLASTIC/POLY W/BRG"	
1D	052129	"5"" MICRO CASTER LIGHTED"	
1E	101254	"5"" LOW POLY 3 SPOKE CASTER"	
1F	400103	"CASTER 5"" SOFT ROLL W/BRNGS"	
1G	101259	"5""X1-1/2"" POLY 3 SPOKE CSTR"	
1H	101255	"6""X1-1/2"" POLY 3 SPOKE CSTR"	
1I	101256	"6"" SEMI PNEU 3 SPOKE CASTER"	
1J	101257	"6"" PNEUMATIC 3 SPOKE CASTER"	
1K	101946-001	CASTR 4X1 ALUM/POLY W/BRG CLR	
1L	101946-002	CASTR 5X1 ALUM/POLY W/BRG CLR	
1M	101946-003	CASTR 6X1 ALUM/POLY W/BRG CLR	
1N	050157-004	WHL CSTR FROG LEGS 4X1.5 CLR	
1O	050157-005	WHL CSTR FROG LEGS 5X1.5 CLR	
1P	050157-006	WHL CSTR FROG LEGS 6X1.5 CLR	
1Q	400212	"CASTER 8"" PNEU 3 SPK ASSM"	
1R	400213	"CASTER 8"" POLY 3 SPK ASSM"	

Pos.	Item Number	Description	Remarks
1S	400700	"8" X 2" CMPST W/PNEU & BEARING"	
1T	400702	"8" X 2" CMPST W/PNEU INSR&BRG"	



Pos.	Item Number	Description	Remarks
1	383240	6" PNEUMATIC TIRE	
2	382245	6" TUBE	

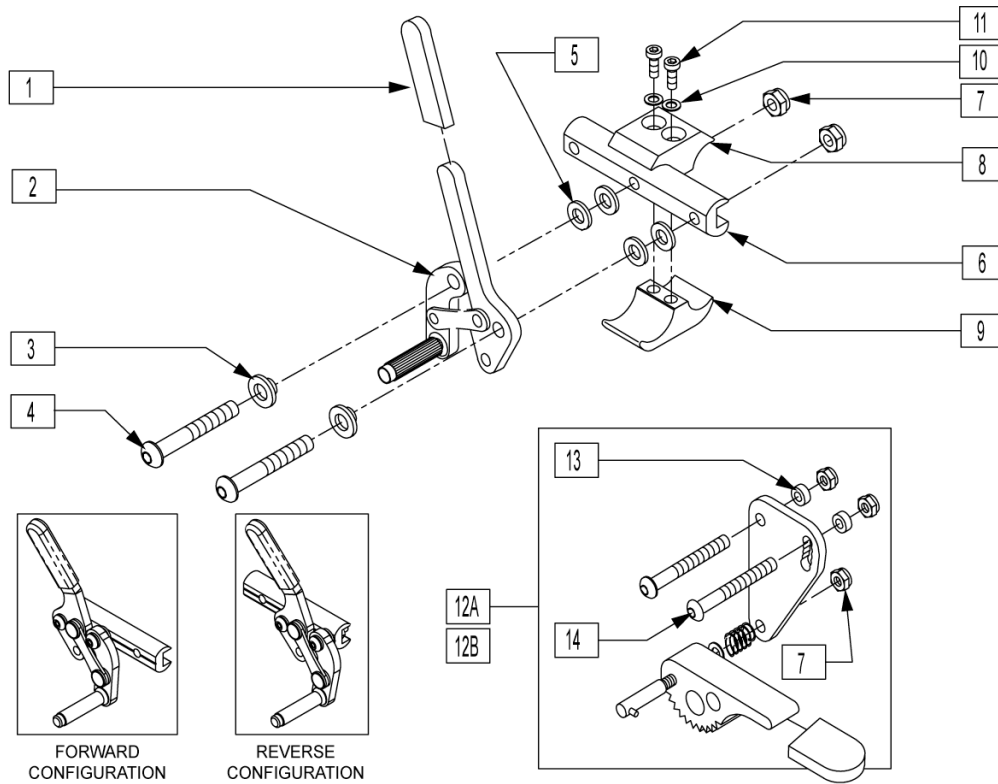
WHEEL LOCK PUSH TO LOCK



Pos.	Item Number	Description	Remarks
1	560500-QU	HB PLASTIC COVER	
3	560126	.250 ID .312 OD BUSHING PLASTIC	
4	226125	1/4-28 X 1 1/8 BH C/S	
5	561028	1/4? NYLON WASHER	
6	550374	WHEEL LOCK SLIDE BLOCK 3 1/2? BLK	
7	201120	1/4-28 AUTOMATION NUT	
8A	550259	CLAMP 1 1/4? RECESS HALF CLR	
8B	550659	CLAMP 1 1/4? RECESS HALF BLK	
9B	550658	CLAMP 1 1/4? THREADED BLK	
9A	550258	CLAMP 1 1/4? THREADED CLR	
10	262114	1/4 WASHER HI COLLAR LOCK ZN	
11	226112	1/4-28 x 1 SOC C/S BLK	
12A	880916	GRADE AID PLATE W/WHL & HDWR R	
12A	880917	GRADE AID PLATE W/WHL & HDWR L	
12B	880912	GRADE AID ASSM BLK R N/CLAMP	
12B	880913	GRADE AID ASSM BLK L N/CLAMP	
13	483027	1/4 x 1/4 ALUMINUM SPACER BLK	
14	226130	1/4-28 x 1 1/2 BH C/S	

Pos.	Item Number	Description	Remarks
1,2	881748	WHEEL LOCK ASSM R PUSH	
1,2	881749	WHEEL LOCK ASSM L PUSH	
1,2,5	880530	WHL LCK ARM ASSM R PUSH W/GRIP	
1,2,5	880532	WHL LCK ARM ASSM L PUSH W/GRIP	
8A,9A,10,11	880539	WHL LCK CLAMP ASSM CLR	
8B,9B,10,11	880594	WHEEL LOCK 1 AD CLAMP ASSEMBLY BLK	
8B,9B,10,11,12A	880914	GRADE AID ASSM BLK R W/CLAMP	
8B,9B,10,11,12A	880915	GRADE AID ASSM BLK L W/CLAMP	
8B,9B,10,11,12A	900904	GRADE AID ASSM BLK W/CLAMP	
1-7	883010	WHL LCK PUSH R W/O CLMP BLK	FORWARD CONFIG.
1-7	883011	WHL LCK PUSH L W/O CLMP BLK	FORWARD CONFIG.
1-7	881762	WHL LOCK R PUSH REV N/CLMP BLK	REVERSE CONFIG.
1-7	881763	WHL LOCK L PUSH REV N/CLMP BLK	REVERSE CONFIG.
1-7,12B	881754	WHLLCK R PSH W/G.A. N/CLMP BLK	
1-7,12B	881755	WHLLCK L PSH W/G.A. N/CLMP BLK	
1-7,8B,9B,10,11	881965	WHL LCK PUSH R W/CLMP BLK	FORWARD CONFIG.
1-7,8B,9B,10,11	881966	WHL LCK PUSH L W/CLMP BLK	FORWARD CONFIG.
1-7,8B,9B,10,11	881973	WHL LCK PUSH R REV W/CLMP BLK	REVERSE CONFIG.
1-7,8B,9B,10,11	881974	WHL LCK PUSH L REV W/CLMP BLK	REVERSE CONFIG.
1-7,8B,9B,10,11	901551	WHEEL LOCK PUSH W/CLAMP BLK	PAIR, FORWARD CONFIG.
1-7,8B,9B,10,11	901542	WHEEL LOCK PUSH REV W/CLAMP BLK	PAIR, REVERSE CONFIG.
1-7,8B,9-11,12B	881969	WHLLCK R PSH W/G.A. W/CLMP BLK	
1-7,8B,9-11,12B	881970	WHLLCK L PSH W/G.A. W/CLMP BLK	
1-7,8B,9-11,12B	901557	WHEEL LOCK PUSH W/GRADE AID W/CLAMP BLK	PAIR

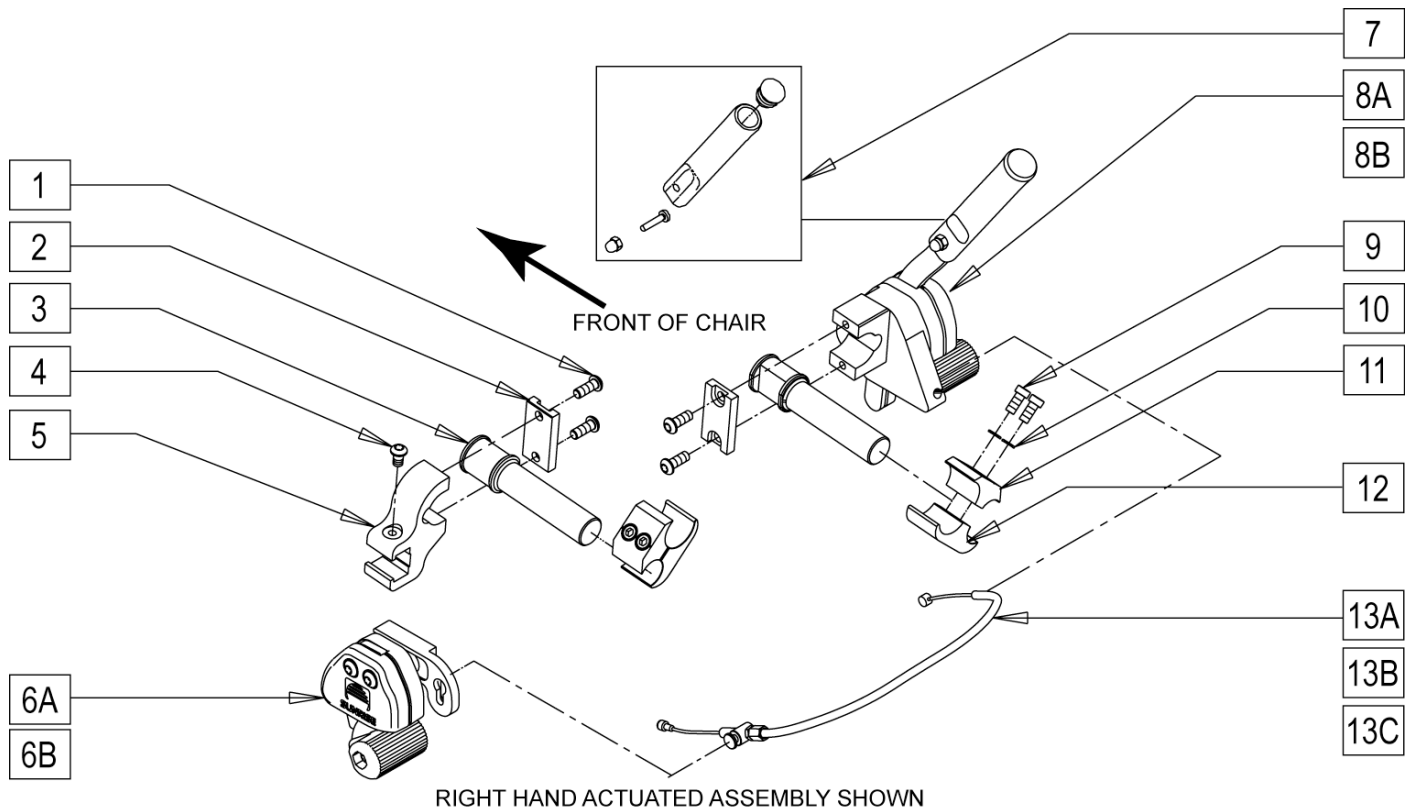
WHEEL LOCK PULL TO LOCK



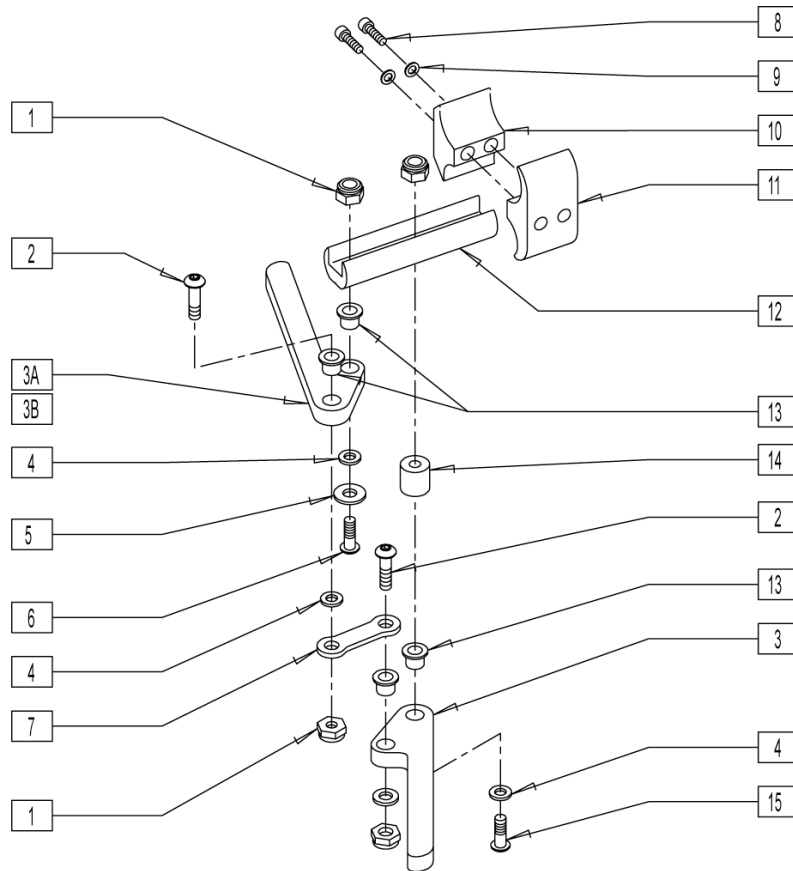
Pos.	Item Number	Description	Remarks
1	560500-QU	HB PLASTIC COVER	
3	560126	.250 ID .312 OD BUSHING PLASTIC	
4	226125	1/4-28 X 1 1/8 BH C/S	
5	561028	1/4? NYLON WASHER	
6	550374	"WHEEL LOCK SLIDE BLOCK 3 1/2" BLK"	
7	201120	1/4-28 AUTOMATION NUT	
8	550659	CLAMP 1 1/4? RECESS HALF BLK	
9	550658	CLAMP 1 1/4? THREADED BLK	
10	262114	1/4 WASHER HI COLLAR LOCK ZN	
11	226112	1/4-28 x 1 SOC C/S BLK	
12A	880916	GRADE AID PLATE W/WHL & HDWR R	
12A	880917	GRADE AID PLATE W/WHL & HDWR L	
12B	880912	GRADE AID ASSM BLK R N/CLAMP	
12B	880913	GRADE AID ASSM BLK L N/CLAMP	
13	483027	1/4 x 1/4 ALUMINUM SPACER BLK	
14	226130	1/4-28 x 1 1/2 BH C/S	
1,2	881798	WHEEL LOCK ASSM R PULL	
1,2	881799	WHEEL LOCK ASSM L PULL	
1-7	881752	WHL LOCK R PULL N/CLAMP	
1-7	881753	WHL LOCK L PULL N/CLAMP	
1-7	883012	WHL LCK PULL R W/O CLMP BLK	
1-7	883013	WHL LCK PULL L W/O CLMP BLK	
1-7	881764	WHL LOCK R PULL REV N/CLMP BLK	
1-7	881765	WHL LOCK L PULL REV N/CLMP BLK	
1-7,12A	881756	WHLLCK R PLL W/G.A. N/CLMP BLK	
1-7,12A	881757	WHLLCK L PLL W/G.A. N/CLMP BLK	

Pos.	Item Number	Description	Remarks
8-11	880594	WHEEL LOCK 1 AD CLAMP ASSM BLK	
1-11	881967	WHL LCK PULL R W/CLMP BLK	
1-11	881968	WHL LCK PULL L W/CLMP BLK	
1-11	881975	WHL LCK PULL R REV W/CLMP BLK	
1-11	881976	WHL LCK PULL L REV W/CLMP BLK	PAIR
1-11	901555	WHEEL LOCK PULL W/CLAMP BLK	PAIR
1-11	901543	WHEEL LOCK PULL REV W/CLAMP BLK	PAIR
1-11,12A	901558	WHEEL LOCK PULL W/GRADE AID W/CLAMP BLK	
1-11,12A	881971	WHLLCK R PLL W/G.A. W/CLMP BLK	
1-11,12A	881972	WHLLCK L PLL W/G.A. W/CLMP BLK	

Q2 UNILATERAL WHEEL LOCK

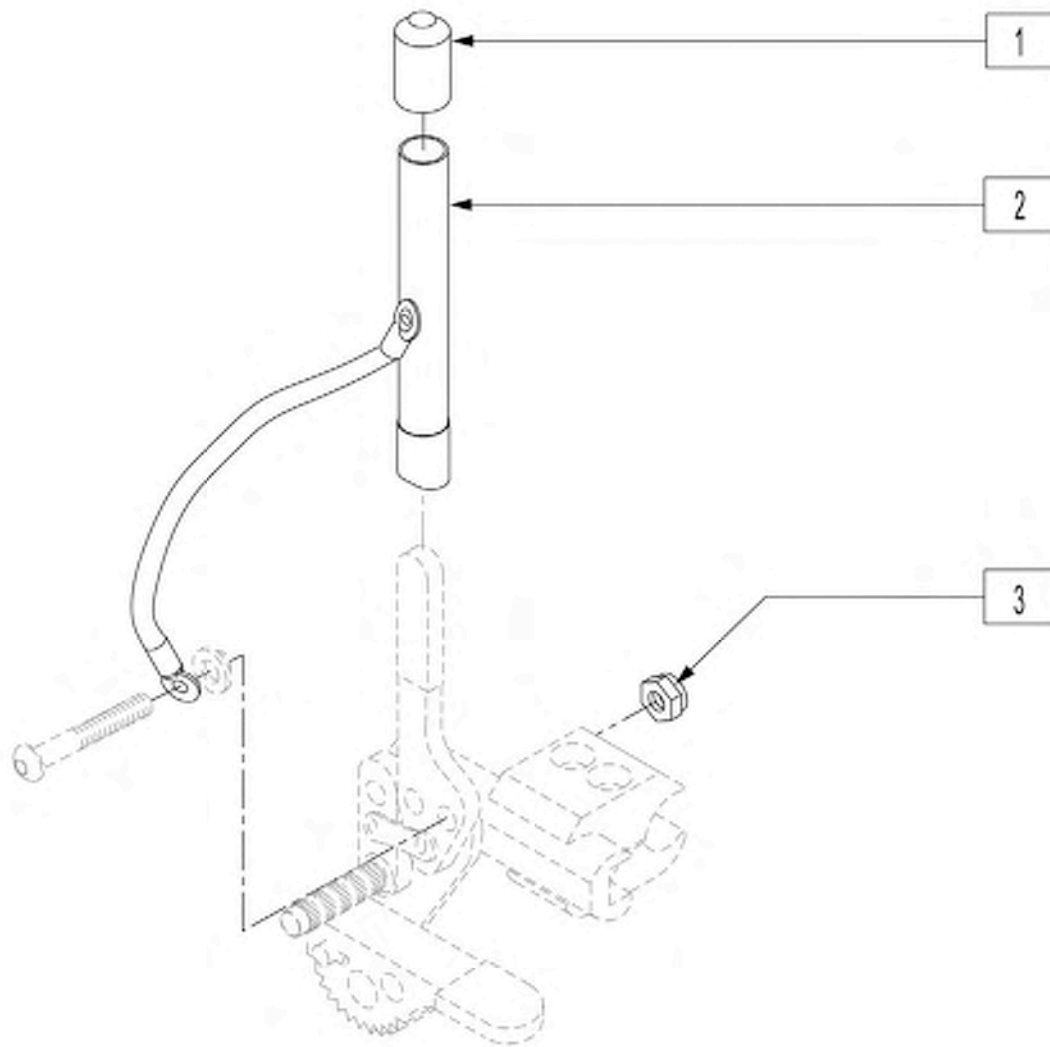


Pos.	Item Number	Description	Remarks
1	230032	M6 x 16 B/H CAP SCREW	
2	501032	CLAMP CAP	
3	501031	WHEEL LOCK EXTENSION	
4	230052	M6 1 x 10 BH C/S BLK	
5	501033	REMOTE LOCK CLAMP	
6B	100924	REMOTE LOCK UNILATERAL R	
6A	100925	REMOTE LOCK UNILATERAL L	SHOWN
7	883300	1-HAND WHLLCK RLCMNT HNDL KIT	
8A	922104	HAND LOCK ASSEMBLY RIGHT	SHOWN
8B	922103	HAND LOCK ASSEMBLY LEFT	
9	226112	1/4-28 x 1 SOC C/S BLK	
10	262114	1/4 WASHER HI COLLAR	
11	550632	"EXTND CLAMP 2 1/4"NONRECSS BLK"	
12	550631	" EXTND CLAMP 2 1/4"RECESS BLK"	
13A	341760	WHEEL LOCK CABLE SHORT (11?-14?)	
13B	341761	WHEEL LOCK CABLE MEDIUM (15?-18?)	
13C	341762	WHEEL LOCK CABLE LONG (19?-22?)	
9-11	880422	WHL LCK EXTND CLMP ASSM BLK	
3,9-11	882027	UNILATL 1 HND PSH LCK ASSY KT	
1-6A,7,8A-12,13A	902084	UNILTERAL 1HAND PSH LOCK SH RH	SHOWN
1-6A,7,8A-12,13B	902086	UNILTERAL 1HAND PSH LOCK MD RH	SHOWN
1-6A,7,8A-12,13C	902088	UNILTERAL 1HAND PSH LOCK LG RH	SHOWN
1-5,6B,8B,9-12,13A	902083	UNILTERAL 1HAND PSH LOCK SH LH	
1-5,6B,8B,9-12,13B	902085	UNILTERAL 1HAND PSH LOCK MD LH	
1-5,6B,8B,9-12,13C	902087	UNILTERAL 1HAND PSH LOCK LG LH	

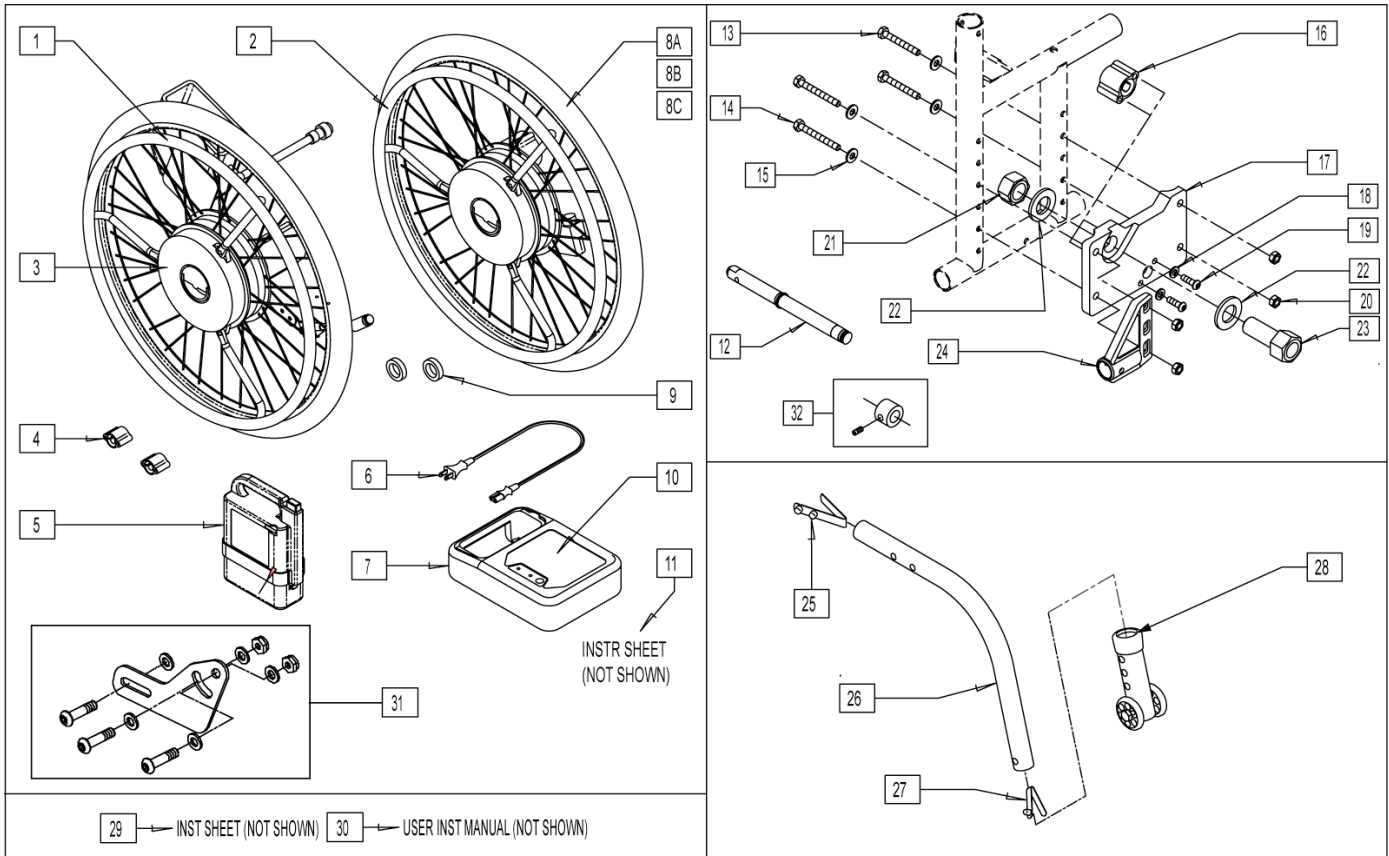


Pos.	Item Number	Description	Remarks
1	201100-QU	1/4-28 NYLOCK NUT THIN	
2	226100	1/4-28 x 3/4 BH C/S	
3A	550232	HI-MOUNT SCISSOR WHEEL LOCK ARM	
3B	550231	HI-MOUNT SCISSOR WHL LOCK ARM LONG	
4	561028	1/4? NYLON WASHER	
5	262120	1/4 SAE WASHER	
6	226122	1/4-28 x 1.10 BH C/S	
7	504995	TOGGLE LINK 1.125	
8	226112	1/4-28 x 1 SOC C/S BLK	
9	262114	1/4 WASHER HI COLLAR LOCK ZN	
10	550259	CLAMP 1 1/4? RECESS HALF CLR	
11	550258	CLAMP 1 1/4? THREADED CLR	
12	550374	WHEEL LOCK SLIDE BLOCK 3 1/2? BLK	
13	560126	.250 ID .312 OD BUSHING PLASTIC	
14	483027	1/4 x 1/4 ALUMINUM SPACER BLK	
15	226130	1/4-28 x 1 1/2 BH C/S	
8-11	880539	WHEEL LOCK CLAMP ASSEMBLY CLR	
1,2,3A,4-7,12-15	880608	WHL LOCK R SCISSOR HI-MNT BLK	
1,2,3A,4-7,12-15	880609	WHL LOCK L SCISSOR HI-MNT BLK	
1,2,3A,4-15	901501	WHL LOCK SCISSOR R W/CLMP BLK	
1,2,3A,4-15	901503	WHL LOCK SCISSOR L W/CLMP BLK	
1,2,3A,4-15	901505	WHEEL LOCK SCISSOR W/CLAMP	PAIR
1-2,3B,4-7,12-15	880612	WHL LCK R SCISOR HI-MNT LNG BLK	
1-2,3B,4-7,12-15	880613	WHL LCK L SCISOR HI-MNT LNG BLK	

Pos.	Item Number	Description	Remarks
1,2,3B,4-15	901507	WHLLCK SCSR R LONG W/CLMP BLK	
1,2,3B,4-15	901509	WHLLCK SCSR L LONG W/CLMP BLK	
1,2,3B,4-15	901510	WHEEL LOCK SCISSOR LONG W/CLAMP	PAIR

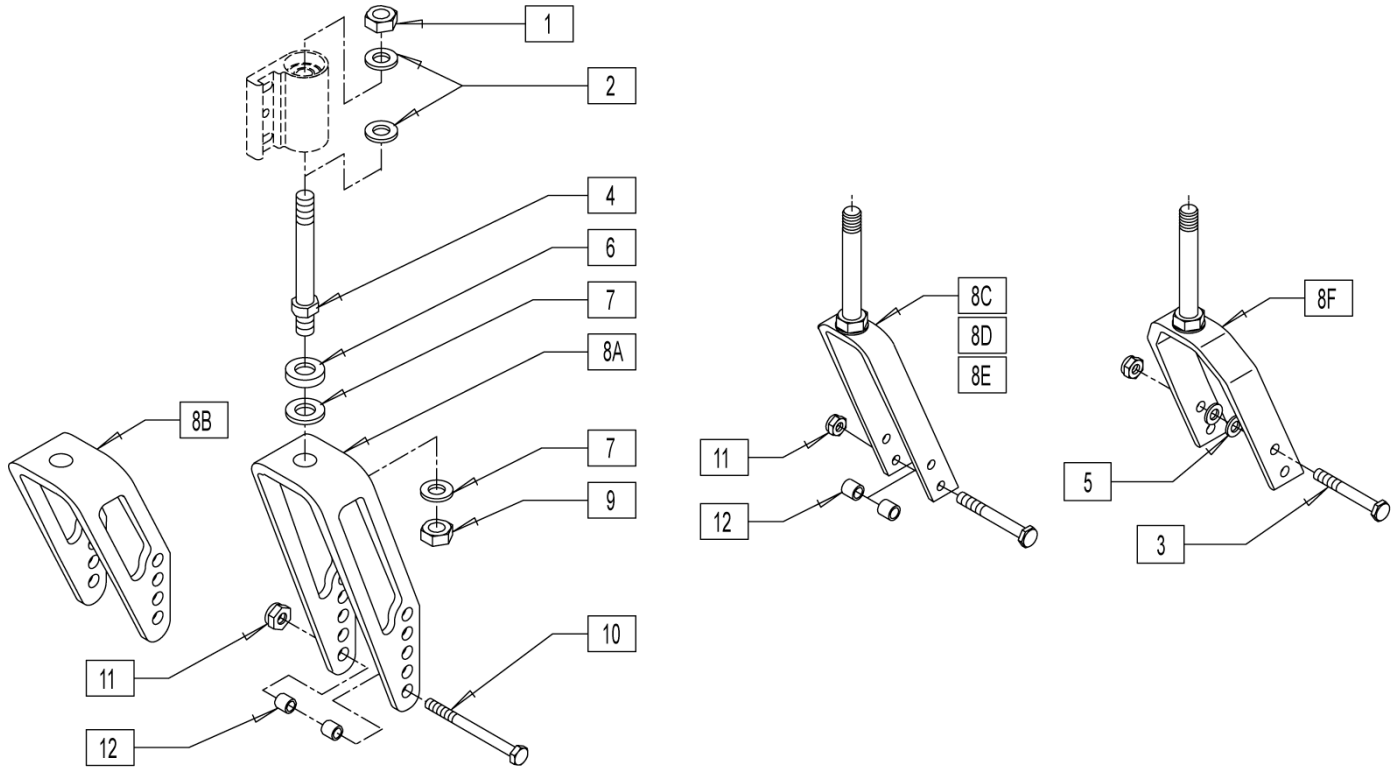


Pos.	Item Number	Description	Remarks
1	560600	1 1/2 x .705 x .187 FOAM GRIP	
3	201100-QU	1/4-28 NYLOCK NUT THIN	
1-3	880825	WHL LOCK 6" EXT TUBE ASSM(EA)	
1-3	920032	WHEEL LOCK 6" EXT TUBES (PR)	



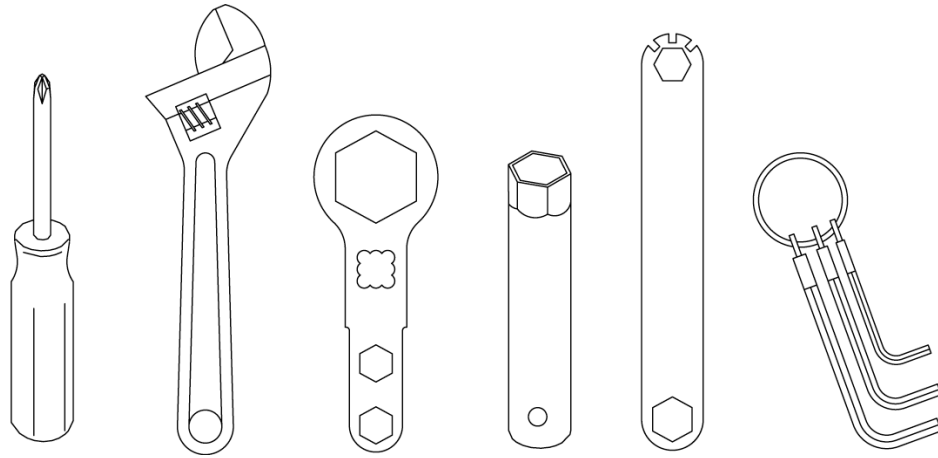
Pos.	Item Number	Description	Remarks
1	N/A	RIGHT SIDE WHEEL ASSEMBLY	
2	N/A	LEFT SIDE WHEEL ASSEMBLY	
3	150837	DECAL QUICKIE XTENDER	
4	541011	BRACKET ENGINE	
5	136526	BATTERY YAMAHA	
8A	385300	24" PNEUMATIC TIRE	
8B	382325	24" TUBE	
8C	382410	24" AIRLESS INSERT	
9	505981	AXLE SLEEVE SPACER	
10	150839	DECAL CHARGER XTENDER	
11	950123	INST SHT AXLE SLEEVE SPACER	
12	541155	XTENDER QUICK RELEASE AXLE	
13	221192	1/4-28 x 2 G8 HEX C/S	
14	221191	1/4-28 x 2 1/4 G8 HEX C/S	
15	262100-QU	1/4 AN WASHER FLAT	
16	541011	BRACKET ENGINE 1	
17	481691	AXLE SLEEVE INNER MOUNT L	
17	481692	AXLE SLEEVE INNER MOUNT R	
18	262114	1/4 WASHER HI COLLAR LOCK ZN	
19	012933	BHCS M6 X 20 BLK	
20	201110-QU	1/4-28 NYLOCK NUT	
21	204000	3/4-16 NUT	
22	265100	3/4 x 18 WASHER NARROW	
23	481690	AXLE SLEEVE YAMAHA	
24	540181	ANTI-TIP RECEIVER R	

Pos.	Item Number	Description	Remarks
24	540182	ANTI-TIP RECEIVER L	
25	301100	1/4" SNAP BTTN SINGLE	
25,26,27	883008	MED ANTI TIP TUBE R W/SNAP BTN	
25,26,27	883009	MED ANTI TIP TUBE L W/SNAP BTN	
27	301109	SNAP BUTTON DUAL ONE SIDE	
28	881513	ANTI TIP SLEEVE TUBE (5H) BLK	
29	930702	INSTR SHT EXTENDER	
30	930547	USER INST MNL QUICKIE XTENDER	
31	921763	XTNDR ADJ BRCKT KIT (W/HDWR)	
32	920514	XTNDR AXLE SLVE W/SET SCREW	Used when placing manual wheel on xtender axle plates
6,7,10	136026	BATTERY CHARGER YAMAHA	
28-34	881513	ANTI-TIP SLV W/WHLS BLK - 5H (EA)	
25-34	881128	MED ANTI TIP ASSM RT BLK	
25-34	881129	MED ANTI TIP ASSM LT B	
12-24	923860	XTENDER HARDWARE KIT	
1-8,8B,9-11	925100	24" TYPE A KIT W/INSERT TIRE	
1-8,8B,9-11	925101	24" TYPE B KIT W/INSERT TIRE	
1-8,8A,9-11	925102	24" TYPE A KIT W/PNEU	
1-8,8A,9-11	925103	24" TYPE B KIT W/PNEU	
1-8,8A,9-36	923410	24" XTNDR PN/PLST W/HDWR KIT	
1-8,8A,9-36	923411	24" XTNDR PN/SS W/HDWR KIT	
1-8,8B,9-36	923412	24" XTNDR ARLS/PLST W/HDWR KIT	
1-8,8B,9-36	923413	24" XTNDR ARLS/SS W/HDWR KIT	

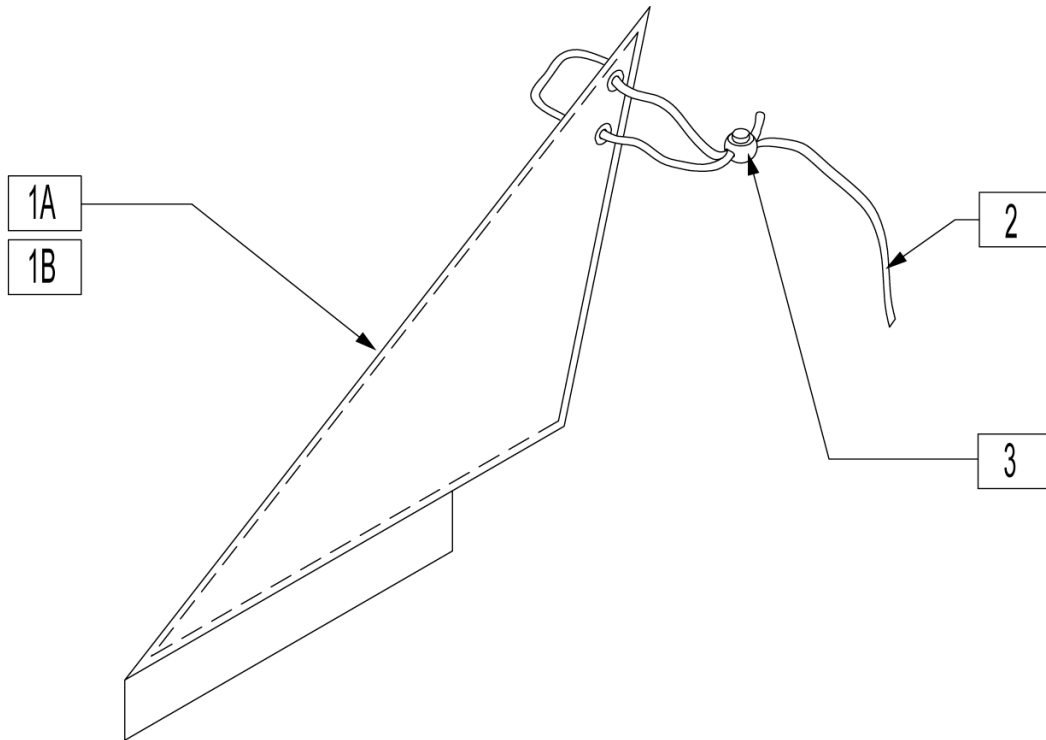


Pos.	Item Number	Description	Remarks
1	203100	1/2-20 NYLOCK NUT	
2	264100	1/2 AN WASHER FLAT	
3	222253	5/16-24 x 3 1/4 HEX C/S	
4	481712	CASTER STEM P1/P5	
5	263110-QU	5/16 AN WASHER FLAT THIN	
6	483254	SPACER .5 ID x .88 OD x .125	
7	264100	1/2 AN WASHER FLAT	
8A	550644	MULTI-POSITION FORK TALL	
8B	550646	MULTI-POSITION FORK SHORT	
8C	550280	5-1/4 FORK ONLY BLK	
8D	550290	6" FORK ONLY BLK	
8E	550300	7" FORK ONLY BLK	
8F	550730	8 x 2 FORK ONLY	
9	203100	1/2-20 NYLOCK NUT	
10	222200	5/16-24 x 2 1/2 HEX C/S	
11	202100-MJ	5/16-24 NYLOCK NUT THIN	
12	481113	SPACER 5/16 x .380	
4,6,7,8A,9	780236	MULTI POS FORK TALL STD STEM	
4,6,7,8B,9	780239	MULTI POS FORK SHORT STD STEM	
4,6,7,8C,9	785450	5-1/4 P1/P5 STEM BLK	
4,6,7,8D,9	785451	6 P1/P5 STEM BLK	
4,6,7,8E,9	785452	7 P1/P5 STEM BLK	
4,6,7,8F,9	785453	8 x 2 P1/P5 STEM BLK	
1,2,4,6,7,8A,9-12	780330	M/P FORK TALL STD STM W/HDWR	
1,2,4,6,7,8B,9-12	780333	M/P FORK SHORT STD STM W/HDWR	
1,2,4,6,7,8C,9-12	780830	5 1/4 P1/P5 STEM W/HDWR BLK	
1,2,4,6,7,8D,9-12	780658	6 P1/P5 STEM W/HDWR BLK	
1,2,4,6,7,8E,9-12	780876	7 P1/P5 STEM W/HDWR BLK	

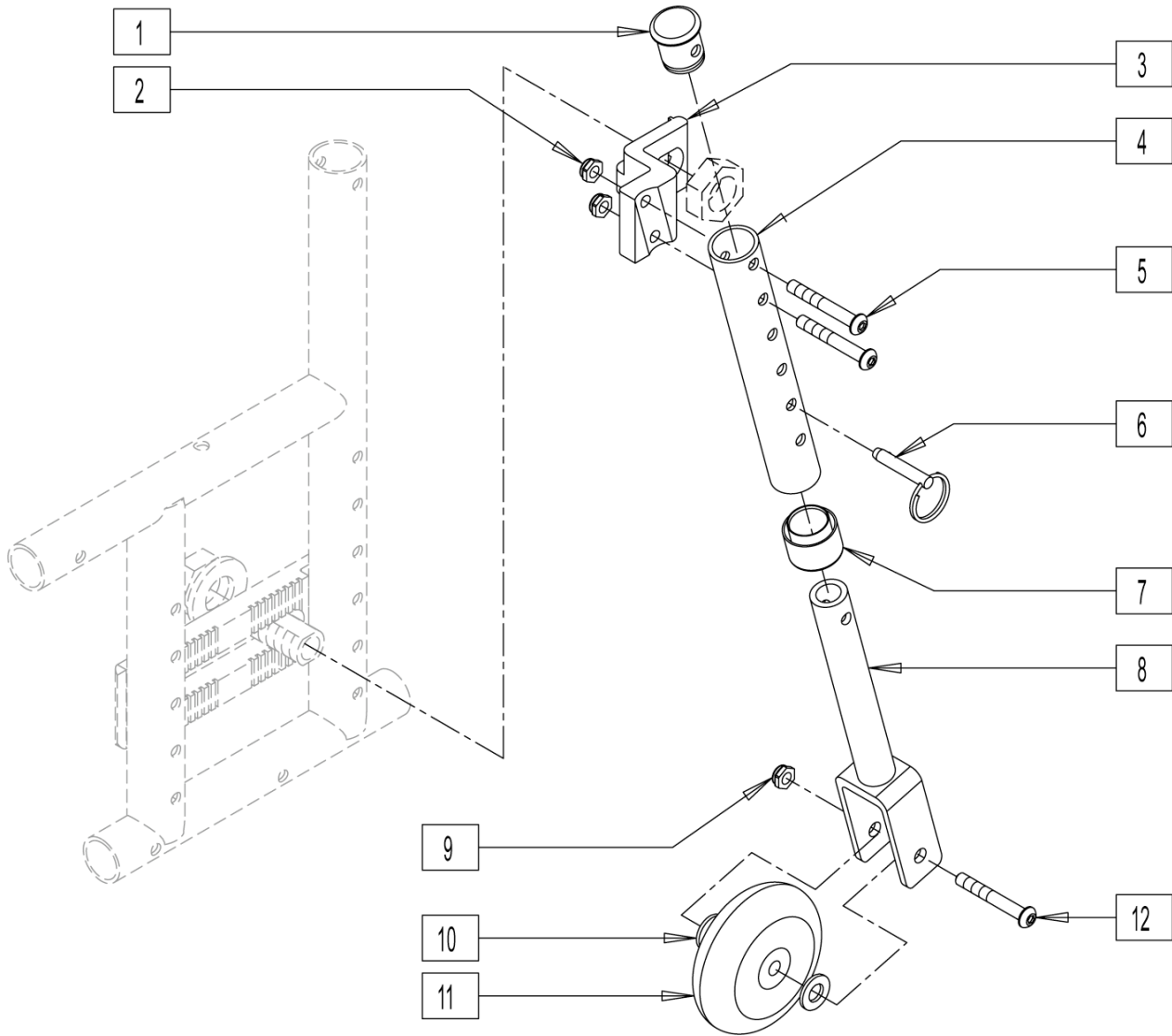
Pos.	Item Number	Description	Remarks
1-7,8F,9-12	780918	8 x 2 P1/P5 STEM W/HDWR BLK	



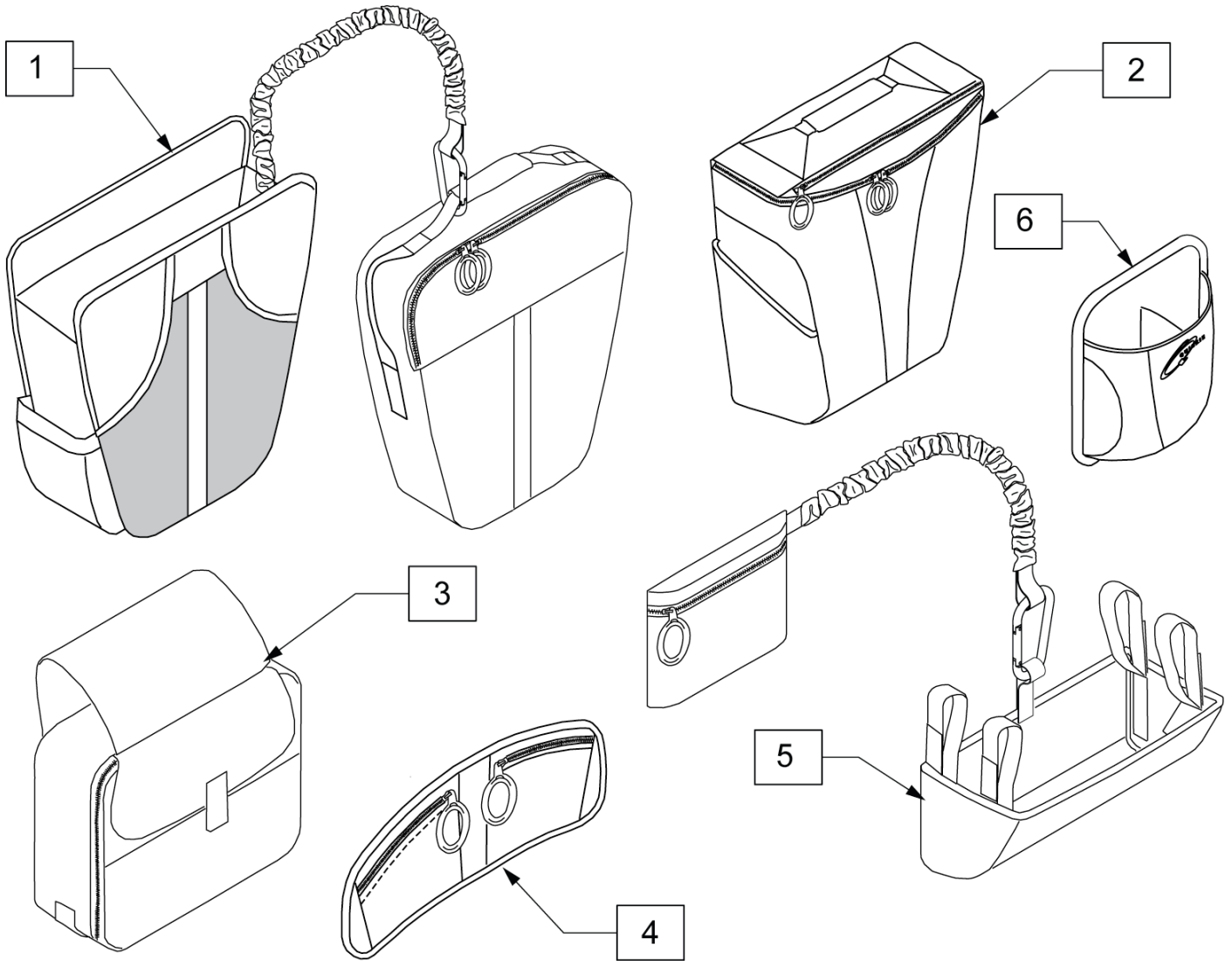
Pos.	Item Number	Description	Remarks
1	349999	TOOL KIT (INCLUDING CASE)	



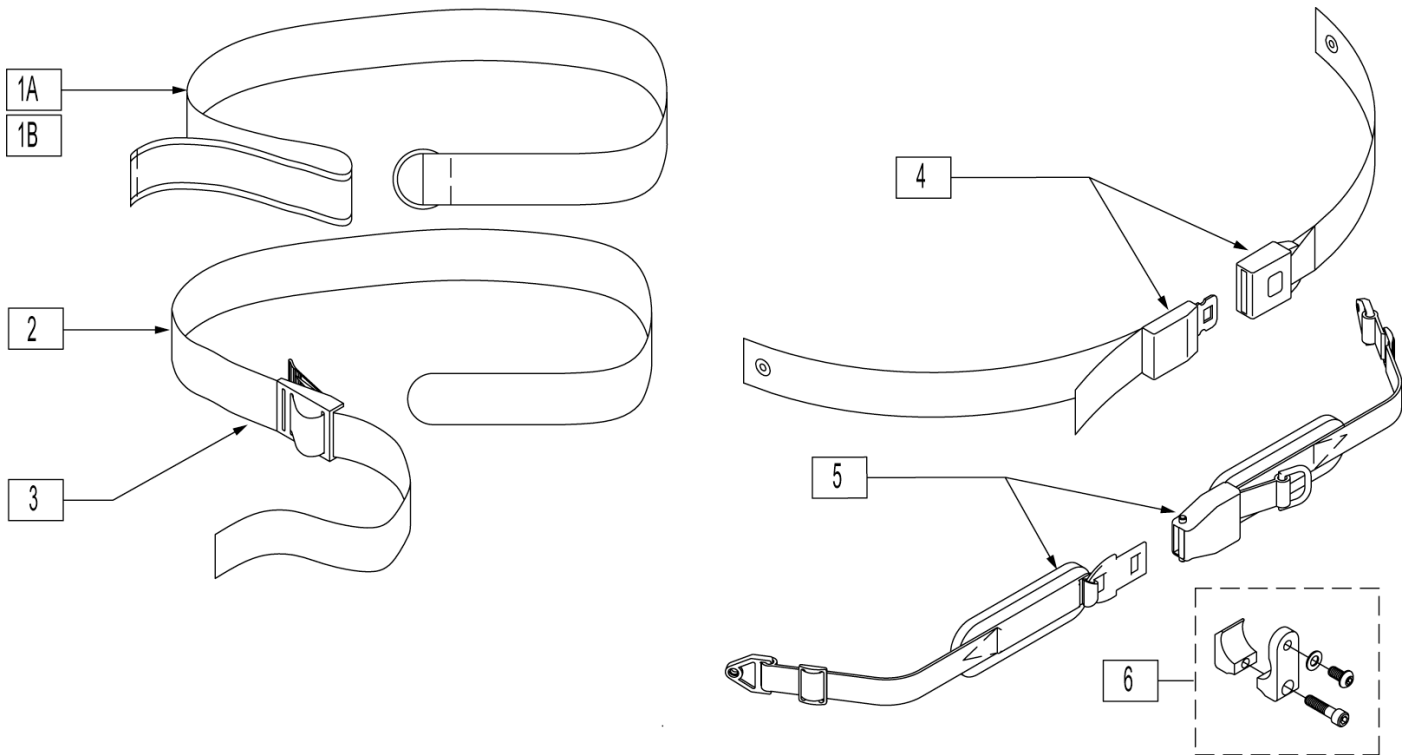
Pos.	Item Number	Description	Remarks
1A	750434	SIDE GUARD REG W/VELCRO R	
1A	750435	SIDE GUARD REG W/VELCRO L	
1B	750240	SIDE GUARD FABRIC SHORT Q2 R	
1B	750241	SIDE GUARD FABRIC SHORT Q2 L	
2	750050	SIDE GUARD LACE Q2	
3	560220	B-LOCK	
1A,2,3	901109	SIDE GUARDS REG EX/RV	PAIR
1B,2,3	901121	SIDE GUARDS KIDS FABRIC Q2 NEW	PAIR



Pos.	Item Number	Description	Remarks
1	560999	" 1"" INSERT PLUG .083 W/1/4 HOLE"	
2	201100-QU	1/4-28 NYLOCK NUT THIN	
3	550090	BRKT TRAVEL WHL RCVR MNT R Q2	
4	528031	TRAVEL WHEEL MOUNT TUBE Q2	
5	227140	1/4-28 x 1 3/4 BH C/S BLK ZN	
6	330027	QUICK RELEASE PIN 1/4"	
7	561018	" 1"" TUBE END BUSHING THICK "	
8	542160	FORK EXT WELDMENT TRVL WHL Q2	
9	202102	5/16 NYLOCK NUT THIN	
10	263100	5/16 AN WASHER FLAT	
11	400092	MICRO CASTER W/BEARING	
12	226190	5/16-18 x 1.75 BHCS	
	550091	BRKT TRAVEL WHL RCVR MNT L Q2	
1-12	880082	TRAVEL WHEEL ASSY R	
1-12	880083	TRAVEL WHEEL ASSY L	
1-12	920035	TRAVEL WHL ASSM W/HDWR (PR)	



Pos.	Item Number	Description	Remarks
1	013480	ULTRA PACK	
2	013479	QUICKIE EXPRESS PACK	
3	013478	POWER PACK-IT	
4	013477	LAP ORGANIZER	
5	013476	CATCH ALL UNDERSEAT ORGANIZER	
6	013475	QUICKIE SIDE POCKER	

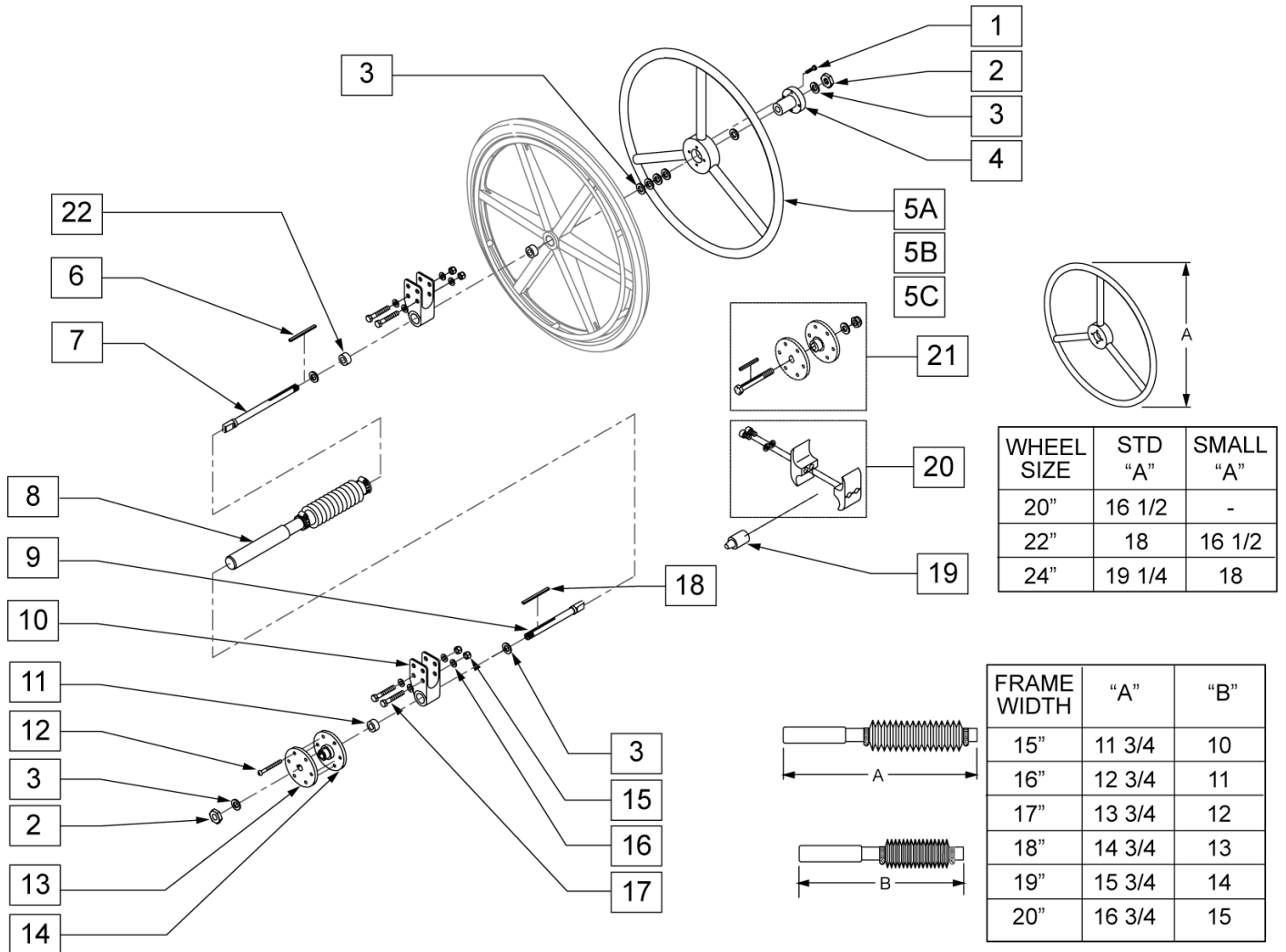


Pos.	Item Number	Description	Remarks
1B		Part 1B	
1A	750204	POSITIONING BELT SHORT VELCRO?	
2		Part 2	
3	560200	2? PLASTIC BUCKLE	
4	750276	"1 1/2" POSITION BELT "	
5	450418-QU	"BELT 2" AIRCRAFT BUCKLE "	
5	450423-QU	" BELT 2" AIRCRAFT BUCKLE W/PAD "	
5	450424	" BELT 2" AIRCRAFT BKL LONG W/PAD"	
5	450425	" BELT 2" AIRCRAFT BKL LONG"	
5	450419-QU	"BELT 2" AIRCRAFT BKL W/QUAD LP"	
5	468419	"BELT 2" AIRCRT BKL W/QD LP CZ"	
6	900116	POSITION BELT ATTACHMENT KIT	
1	750200	POSITIONING BELT LONG VELCRO?	
2,3	750210	POSITIONING BELT LONG BUCKLE	
2,3	750214	POSITIONING BELT SHORT BUCKLE	
5,6	920918	" POS BELT ATT KIT W/2" AIR BKL"	
5,6	920919	"POS BLT ATT KT W/2" AIR BKL PD"	

ONE ARM DRIVE

(07/2007)

Part # 880594 is used on 14"-20" wide wheelchairs prior to S/N Q2-16996 and all 13" wide wheelchairs.
 Part # 880729 is used on 14"-20" wide wheelchairs beginning with S/N Q2-16996.

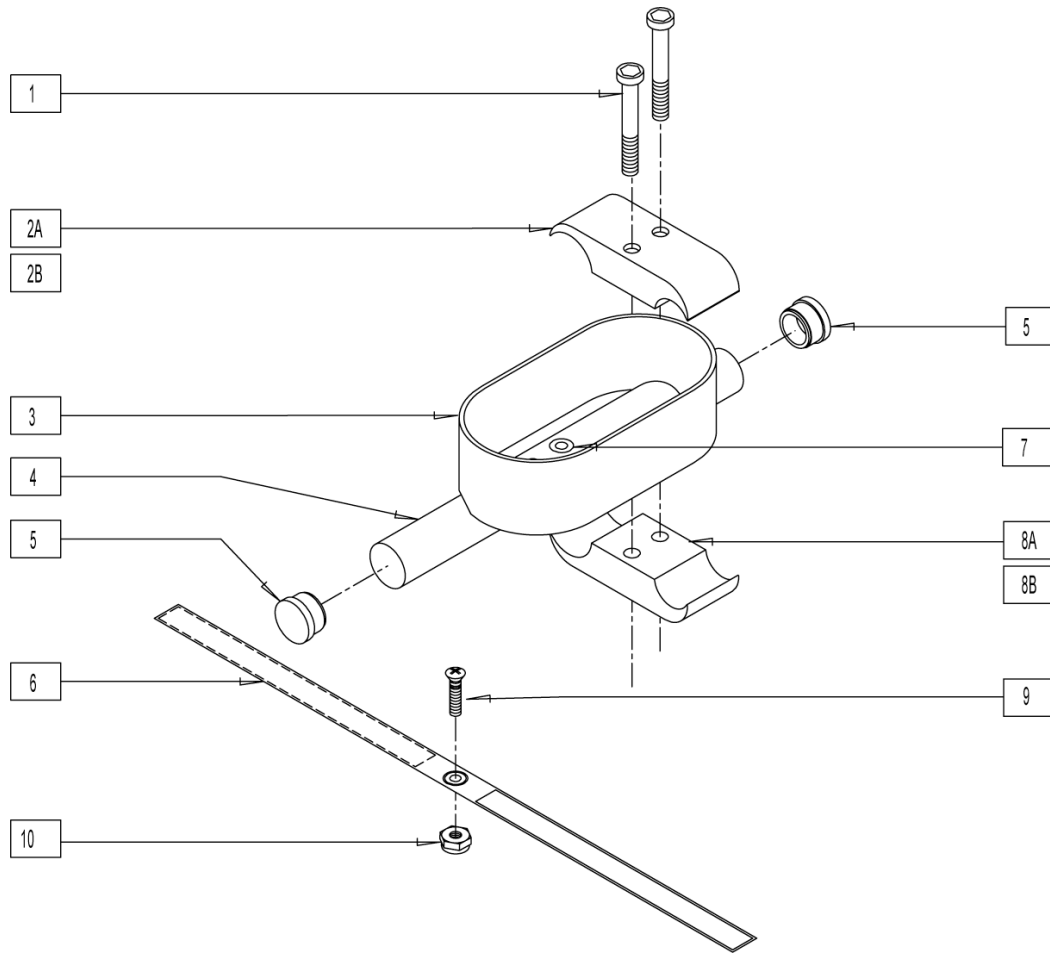


Pos.	Item Number	Description	Remarks
1	203100	1/2-20 NYLOCK NUT	
2	264100	1/2 AN WASHER FLAT	
3	226015	10-32 x 3/4 SOC C/S BLK	
4	500634	1 AD HUB CENTER	
5A	529801	1 AD HR ONLY 20" STD/22" SM	
5B	529800	1 AD HR ONLY 22" STD/24" SM	
5C	529802	1 AD HR ONLY 24" STD	
6	483058	1 AD WHEEL SPACER	
7	349500	1 1/8 x 1/2 BEARING	
7,8	880820	1 AD AXLE PLATE W/BEARINGS BLK	
9	341274	3/16 SQ x 1 1/2 KEY STL	
10	481131	1 AD HANDRIM DRIVE SHAFT	
11	101109	1 AD COVER ASSM	
11	880812	1 AD SHAFT ASSM 13"	

Pos.	Item Number	Description	Remarks
11	880813	1 AD SHAFT ASSM 14"	
11	880814	1 AD SHAFT ASSM 15"	
11	880815	1 AD SHAFT ASSM 16"	
11	880816	1 AD SHAFT ASSM 17"	
11	880817	1 AD SHAFT ASSM 18"	
11	880818	1 AD SHAFT ASSM 19"	
11	880819	1 AD SHAFT ASSM 20"	
12	481132	1 AD WHEEL DRIVE SHAFT	
13	500631	WHEEL HUB 1 ARM DRIVE W/TAP	
14	500630	1 AD WHEEL HUB W/O TAP	
15	226166	1/4-28 x 2 1/2 BH C/S	
16	550658	CLAMP 1 1/4" THREADED BLK	
17	550659	CLAMP 1 1/4" RECESS HALF BLK	
18	226112	1/4-28 x 1 SOC C/S BLK	
19	482030	1 AD DRIVE RECEIVER	
20	221192	1/4-28 x 2 G8 HEX C/S	
21	201110-QU	1/4-28 NYLOCK NUT	
22	341277	3/16 SQ x 2 3/8 KEY STL	
23	262110-QU	1/4 AN WASHER FLAT THIN	
24	341278	3/16" SQ x 2 1/4" KEY STL	
25	330014	1 AD ALIGNMENT BOLT	
26	330015	1 AD ALIGNMENT TOOL ASSEMBLY	
27	550245	1 AD CLAMP RECESSED 14"-20"	
28	550244	1 AD CLAMP THREADED 14"-20"	
29	262114	1/4 WASHER HI COLLAR LOCK ZN	
19-23,29	880594	WHEEL LOCK 1 AD CLAMP ASSM BLK	See Note
18,27-29	880729	1 AD CLAMP ASSEMBLY 14"-20"	See Note
1-4,5A,6-15,19-23	923532	1 AD 13" RETRO (20" STD/22" SM HR)	
1-4,5A,6-15,19-23	923532	1AD 13" RETRO 20"STD/22"SM HR	
1-4,5A,6-15,19-23	923533	1AD 14" RETRO 20"STD/22"SM HR	
1-4,5A,6-15,19-23	923534	1AD 15" RETRO 20"STD/22"SM HR	
1-4,5A,6-15,19-23	923535	1AD 16" RETRO 20"STD/22"SM HR	
1-4,5A,6-15,19-23	923536	1AD 17" RETRO 20"STD/22"SM HR	
1-4,5A,6-15,19-23	923537	1AD 18" RETRO 20"STD/22"SM HR	
1-4,5A,6-15,19-23	923538	1AD 19" RETRO 20"STD/22"SM HR	
1-4,5A,6-15,19-23	923539	1AD 20" RETRO 20"STD/22"SM HR	
1-4,5B,6-15,19-23	923512	1 AD 13" RETRO (22" STD/24" SM HR)	
1-4,5B,6-15,19-23	923513	1AD 14" RETRO 22"STD/24"SM HR	
1-4,5B,6-15,19-23	923514	1AD 15" RETRO 22"STD/24"SM HR	
1-4,5B,6-15,19-23	923515	1AD 16" RETRO 22"STD/24"SM HR	
1-4,5B,6-15,19-23	923516	1AD 17" RETRO 22"STD/24"SM HR	
1-4,5B,6-15,19-23	923517	1AD 18" RETRO 22"STD/24"SM HR	
1-4,5B,6-15,19-23	923518	1AD 19" RETRO 22"STD/24"SM HR	
1-4,5B,6-15,19-23	923519	1AD 20" RETRO 22"STD/24"SM HR	
1-4,5C,6-15,19-23	923522	1 AD 13" (24" STD HR)	
1-4,5C,6-15,19-23	923523	1AD 14" RETRO 24" STD HR	
1-4,5C,6-15,19-23	923524	1AD 15" RETRO 24" STD HR	
1-4,5C,6-15,19-23	923525	1AD 16" RETRO 24" STD HR	
1-4,5C,6-15,19-23	923526	1AD 17" RETRO 24" STD HR	
1-4,5C,6-15,19-23	923527	1AD 18" RETRO 24" STD HR	
1-4,5C,6-15,19-23	923528	1AD 19" RETRO 24" STD HR	
1-4,5C,6-15,19-23	923529	1AD 20" RETRO 24" STD HR	



Pos.	Item Number	Description	Remarks
1	750115	BACKPACK QUICKIE	
2	750304	SEAT POUCH BLACK/CHARCOAL	
2	750307	SEAT POUCH QUICKIE	
3	750121	BACK PACK BLACK/CHARCOAL KIDS	



Pos.	Item Number	Description	Remarks
1	226112	1/4-28 x 1 SOC C/S BLK	
2B	550287	CLAMP 1 1/8" - 3/4" W/RECESS	
2A	550477	CLAMP 2 1/4" RECESS BLK	
6	750495	CRUTCH HOLDER STRAP F	
8A	550576	CLAMP 2 1/4" THREADED BLK	
8B	550288	CLAMP 1 1/8" - 3/4" THREADED	
9	281110	10-32 x 1/2 PAN PHIL	
10	200100-QU	10-32 NYLOCK NUT	
1,2A,3-5,7,8A	880802	CRUTCH HOLDER F	
1,2B,3-5,7,8B	880803	CRUTCH HOLDER CURVED REAR S/F	
1,2A,3-7,8A,9,10	901002	CRUTCH HOLDER ASSEMBLY F	
1,2B,3-7,8B,9,10	901004	CRUTCH HOLDER ASSEMBLY Q2 CURVED REAR	
1,2B,3-7,8B,9,10	901005	CRUTCH HOLDER ASSEMBLY BRZ	



QUICKIE 2