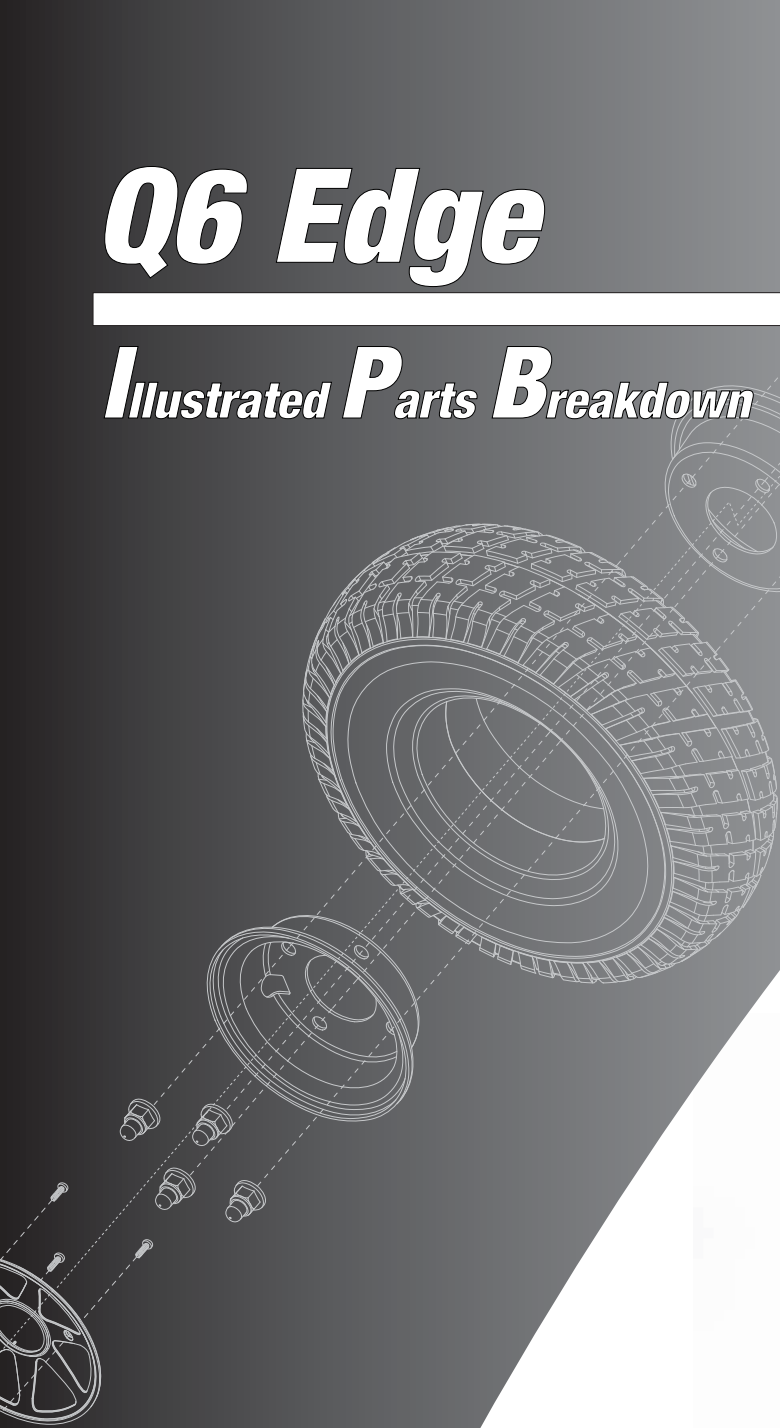


Q6 Edge

US

AGM# 088 609 661

Illustrated *P*arts *B*reakdown



QUANTUM[®]
LIFE BEYOND LIMITS[™]

Your new Pride Illustrated Parts Breakdown (IPB) Manual has been compiled from the latest product information available at the time of publication. Pride[®] Mobility Products reserves the right to make changes and updates to this manual and to the product(s) it represents. Any changes, updates, or improvements to the product(s) may result in slight differences between this manual and the product you purchased.

An IPB is an illustrated parts listing of all product components which have maintenance significance. IPB's utilize "exploded" drawings to detail the individual components for each assembly and an itemized list of reference numbers, part numbers, descriptions, and quantities per assembly. Some parts may be included in an assembly but may not be available for purchase separately. Refer to the parts list to locate the part numbers for assemblies and components for ordering what you need.

To achieve proper identification and relationship of detail parts and next higher assemblies, parts listings are presented in a convenient alphanumeric reference system. Reference numbers for parent assemblies identify one part number that can be used to order all of the components listed within it. Components of an assembly will have the same alpha character as its parent assembly.

- For example, the parent assembly part number using reference number of A1 — A4 is the only number you need to place an order for parts with references of A1, A2, A3, and A4. Instead of ordering 4 separate parts, use the parent assembly part number to get the complete assembly.

Master assembly part numbers have reference numbers that include several subassemblies. By ordering parts using master assembly part numbers, you can save a lot of time and reduce the chance for error.

- For example, A1 — G10, a master assembly reference number, includes all components of assemblies A, B, C, D, E, F, and G. Use caution when ordering assemblies. Check to see if a master assembly part number exists for the components that you need. If an entire master assembly is not needed, then the individual assembly part number (i.e. for reference number G1 — G10) will be sufficient to use for ordering.

Asterisks (*) and NOTES are used throughout this service manual to point out important information regarding assembly structure and contents.

- For example, in some illustrations, only the left OR right side is shown. In other drawings, only the front OR back is depicted. The part numbers for ALL components are listed. An asterisk will also be used to indicate which components are not illustrated. Illustrated items without callouts are shown for assembly purposes.

Updates to the contents of this IPB will be made on a regular basis. Providers may retrieve updates immediately upon their release by going to the Pride Service Website. The web address is www.prideservice.com. We welcome any questions or comments regarding the new Pride IPB Manual that you may have.

Please note all pricing included with this manual is subject to change without prior notice from Pride.

Thank you for choosing products from Pride[®] Mobility Products.

SECTION I.

Main Frame Assembly
 Standard Articulating Beam 6
 Suspension Articulating Beam 8

SECTION II.

Front Caster Arm Assembly
 Standard Front Suspension 10
 Vent Tray Front Suspension 12

SECTION III.

Articulating Beam Assembly
 Standard
 Low Impact 6" Casters 14
 Semi-Independent Suspension
 Low Impact 6" Casters 16
 Low Impact 6" Casters for Vent Tray 18
 Low Impact 8" Casters 20

SECTION IV.

Drive Motor Assembly
 Standard, 5MPH and 6MPH 22
 Accu-Trac, 6MPH 24

SECTION V.

Freewheel Lever and Motor Mount Assembly 26

SECTION VI.

Controller Assembly 28

SECTION VII.

Electronics Assembly
 NE 30
 NE, Tilt thru Toggle 34
 NE, Power Seat thru Toggle 38
 NE+ 42
 NE+, Quantum Ready/Tilt thru Toggle 46
 NE+, Power Seat thru Joystick 50
 Q-Logic 54
 Q-Logic, Quantum Ready/Tilt thru Toggle 58
 Q-Logic, Power Seat thru Joystick 62
 Q-Logic, Accu-Trac Motor, Quantum Ready/Tilt thru Toggle 66
 Q-Logic, Accu-Trac Motor, Power Seat thru Joystick 70

SECTION VIII.

Footrest Assembly
 Foot Platform 74
 Battery Access Brackets
 Standard Seating 76
 Power Seating 78

SECTION IX.

Shroud Assembly
 Main..... 80
 Center Panels..... 84

SECTION X.

TRU-Balance Power Seat Assembly 86

SECTION XI.

Seat Tower Assembly
 Trapeze Bars 88
 L-Brackets 89

SECTION XII.

Drive Wheel Assembly
 5 Spoke Silver Rim
 Pneumatic 90
 Flat-free 91
 4 Spoke Black Rim
 Pneumatic 92
 Flat-free 93

SECTION XIII.

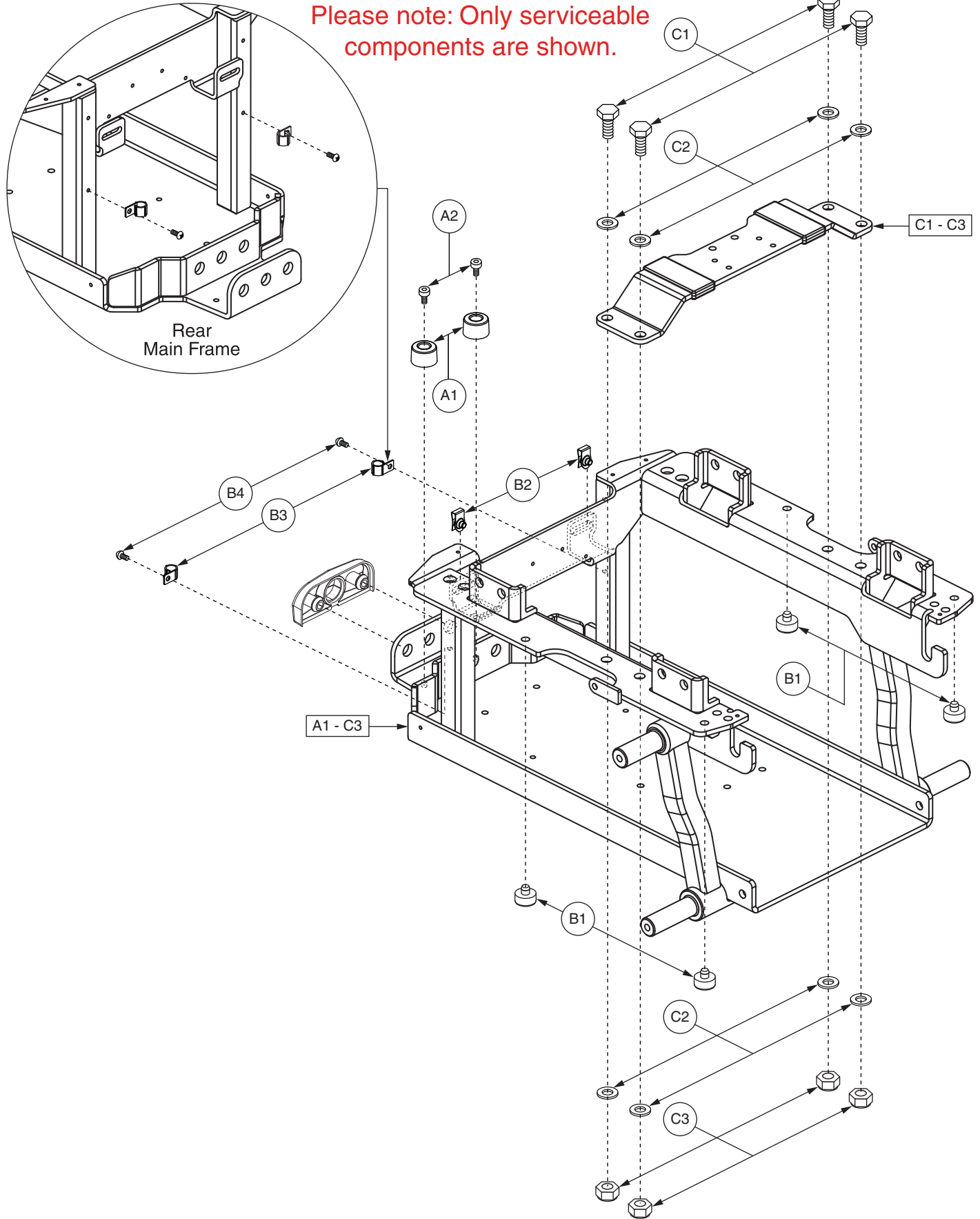
Owner's and Decal Packages 94

APPENDIX A.

Electrical System Diagrams
 NE..... 95
 NE, Tilt thru Toggle..... 96
 NE, Power Seat thru Toggle 97
 NE+ 98
 NE+, Quantum Ready/Tilt thru Toggle 99
 NE+, Power Seat thru Joystick..... 100
 Q-Logic..... 101
 Q-Logic, Quantum Ready/Tilt thru Toggle..... 102
 Q-Logic, Power Seat thru Joystick 103
 Q-Logic, Accu-Trac Motor, Quantum Ready/Tilt thru Toggle 104
 Q-Logic, Accu-Trac Motor, Power Seat thru Joystick..... 105

(This page intentionally left blank.)

Please note: Only serviceable components are shown.



I. Main Frame Assembly — Standard Articulating Beam

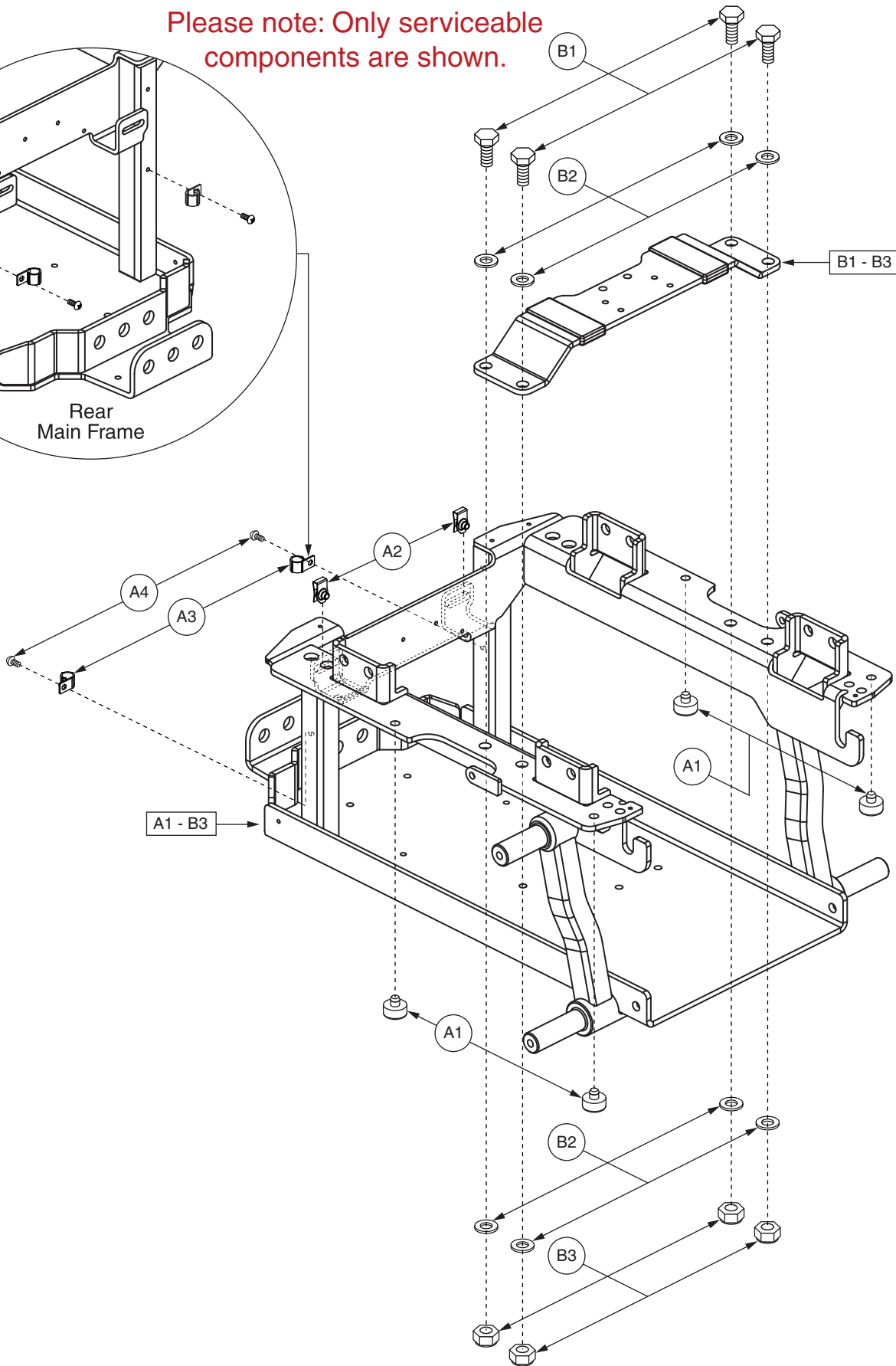
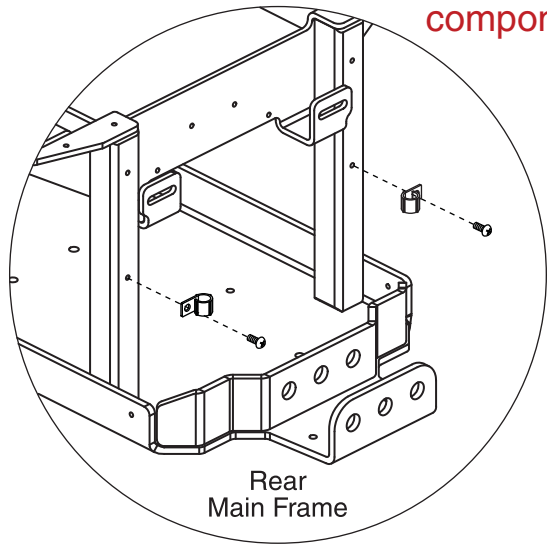
REF #	PART #	DESCRIPTION	QTY	Dealer \$	MSRP	11i
A1 - C3	FRMASMB16145	FRAME,ASSY,MAIN,STANDARD ARTICULATING BEAM,Q6 EDGE,E-1062-082	1	\$123.12	\$313.95	
A1	DWR1062C040	BUMPER,BLACK,MOLDED POLYURETHANE,6.5MM ID X 25MM OD,C-1062-040	2	\$1.38	\$3.51	
A2	SCRSHCS1158	SCREW,SHCS,BLACK ZINC,M6-1.0 X 10MM	2	\$1.1	\$2.81	
B1 - C3	FRMASMB16061	FRAME,ASSY,MAIN,SUSPENSION BEAM,Q6 EDGE,E-1062-079	1	\$117.83	\$300.46	
B1	DWR1062C055	BUMPER,BLACK,MOLDED POLYURETHANE,C-1062-055	4	\$1.1	\$2.81	
B2	DWR1060C048	NUT,STEEL,U-STYLE CLIP-ON,M5-.8,C-1060-048	2	\$1.16	\$2.96	
B3	CLPCBLC1028	CLAMP,CABLE,BLACK,NYLON,.38" DIAMETER,P-CLIP,C-1059-042	2	\$1.1	\$2.81	
*B4	SCRPPH1036	SCREW,PPH,BLACK ZINC,M4-.7 X 8MM	4	\$1.1	\$2.81	
C1 - C3	FRMASMB15970	FRAME,ASSY,FRONT STABILIZER BRIDGE,STANDARD,D-1062-047	1	\$15.74	\$40.14	
C1	SCRHHCS1402	SCREW,HHCS,BLACK ZINC CHROMATE,M10-1.5 X 25MM,GRADE 12.9	4	\$1.1	\$2.81	
C2	WASMETR1031	WASHER,FLAT,BLACK ZINC,10.5MM ID X 20MM OD X 2MM TH	8	\$1.1	\$2.81	
C3	NUTNYLK1090	NUT,NYLOCK,BLACK ZINC,M10-1.5,GRADE 12.9	4	\$1.1	\$2.81	

Notes :

Only serviceable components are shown.

*B4 Two shown.

Please note: Only serviceable components are shown.



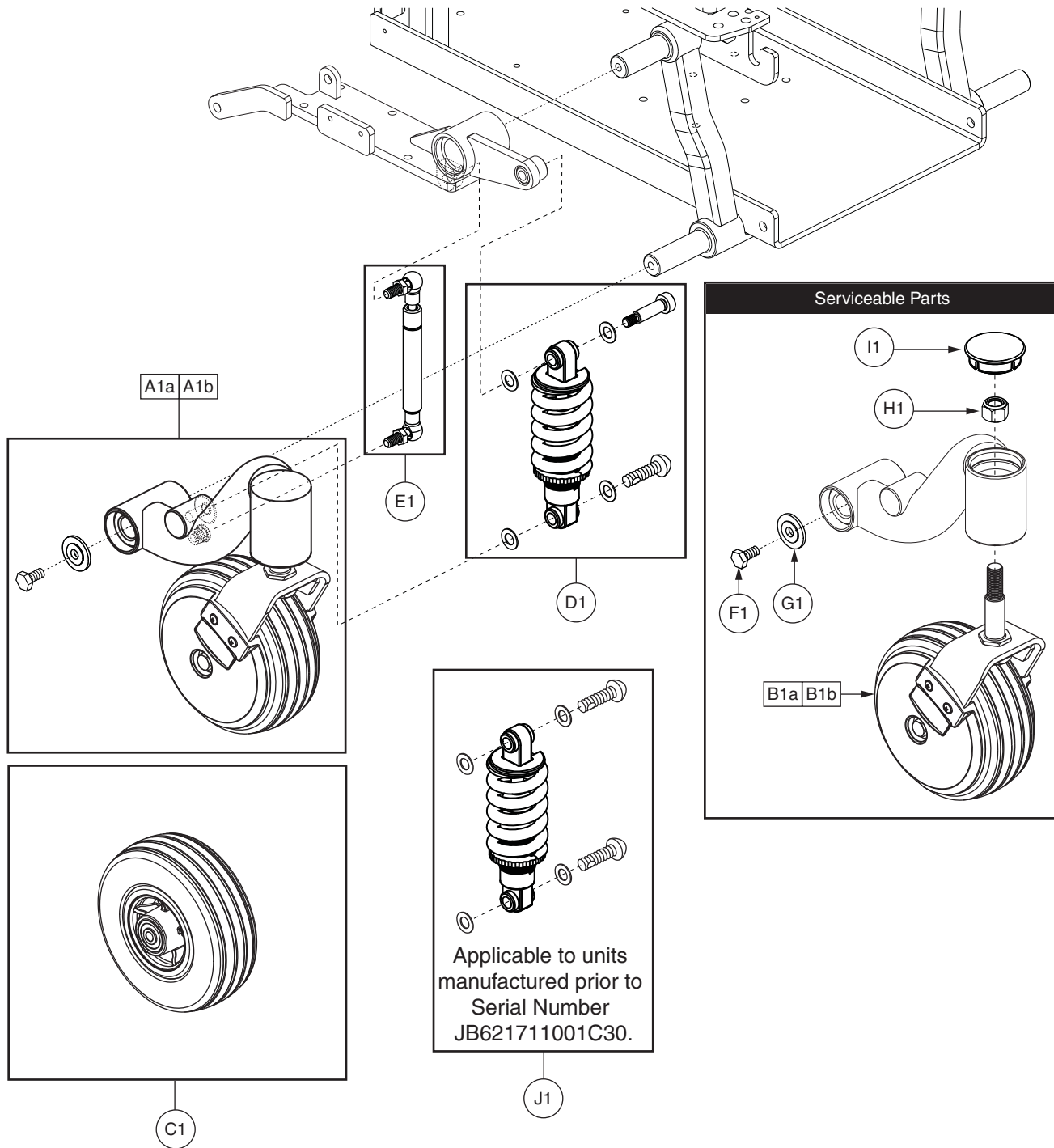
I. Main Frame Assembly — Suspension Articulating Beam

REF #	PART #	DESCRIPTION	QTY	Dealer \$	MSRP	11i
A1 - B3	FRMASMB16061	FRAME,ASSY,MAIN,SUSPENSION BEAM,Q6 EDGE,E-1062-079	1	\$117.83	\$300.46	
A1	DWR1062C055	BUMPER,BLACK,MOLDED POLYURETHANE,C-1062-055	4	\$1.1	\$2.81	
A2	DWR1060C048	NUT,STEEL,U-STYLE CLIP-ON,M5-.8,C-1060-048	2	\$1.16	\$2.96	
A3	CLPCBLC1028	CLAMP,CABLE,BLACK,NYLON,.38" DIAMETER,P-CLIP,C-1059-042	2	\$1.1	\$2.81	
*A4	SCRPPH1036	SCREW,PPH,BLACK ZINC,M4-.7 X 8MM	4	\$1.1	\$2.81	
B1 - B3	FRMASMB15970	FRAME,ASSY,FRONT STABILIZER BRIDGE,STANDARD,D-1062-047	1	\$15.74	\$40.14	
B1	SCRHHCS1402	SCREW,HHCS,BLACK ZINC CHROMATE,M10-1.5 X 25MM,GRADE 12.9	4	\$1.1	\$2.81	
B2	WASMETR1031	WASHER,FLAT,BLACK ZINC,10.5MM ID X 20MM OD X 2MM TH	8	\$1.1	\$2.81	
B3	NUTNYLK1090	NUT,NYLOCK,BLACK ZINC,M10-1.5,GRADE 12.9	4	\$1.1	\$2.81	

Notes :

Only serviceable components are shown.

*A4 Two shown.



Please note: Only serviceable components are shown.
 Items with lower-case extensions represent right/left specific components.

*Note: Right side shown.

II. Front Caster Arm Assembly — Standard Front Suspension

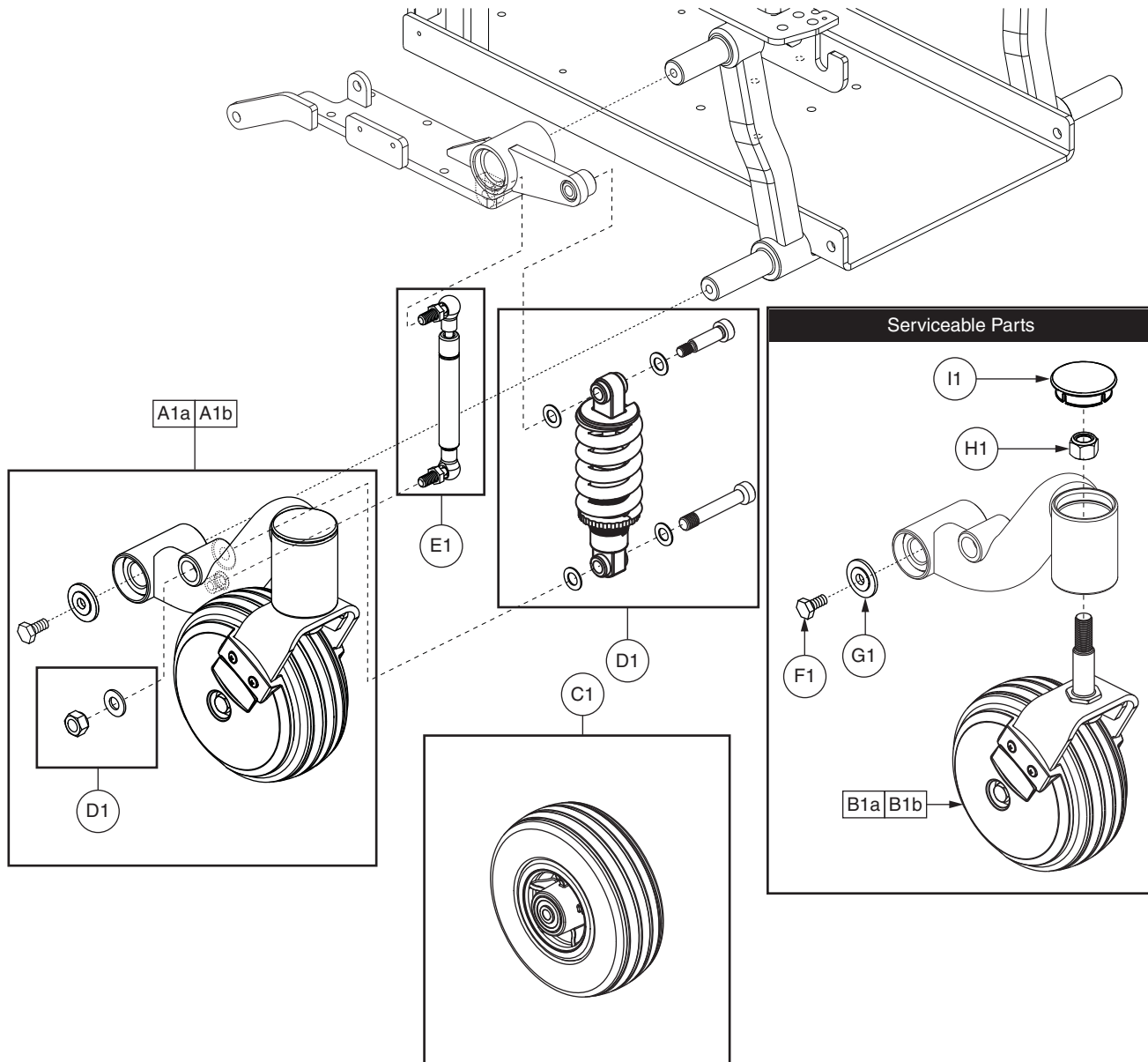
REF #	PART #	DESCRIPTION	QTY	Dealer \$	11i MSRP
A1 - I1	FRMASMB16161	CASTER ARM,ASSY,FRONT,FOR 6" CASTERS,PAIR,Q6 EDGE	1	\$125.95	\$321.17
A1a	FRMASMB16050	CASTER ARM,ASSY,W/WHEEL,FOR 6" CASTERS,RIGHT,Q6EDGE,E-1062-076	1	\$62.98	\$160.59
A1b	FRMASMB16049	CASTER ARM,ASSY,W/WHEEL,FOR 6" CASTERS,LEFT,Q6EDGE,E-1062-075	1	\$62.98	\$160.59
B1a	FRMASMB16285	CASTER,ASSY,LOW IMPACT,BLACK RIM/GRAY TIRE,6" WHEEL,W/FORK & COVERS,RIGHT,W/RADIUS,D-1202-048	1	\$36.96	\$94.26
B1b	FRMASMB16284	CASTER,ASSY,LOW IMPACT,BLACK RIM/GRAY TIRE,6" WHEEL,W/FORK & COVERS,LEFT,W/RADIUS,D-1202-047	1	\$36.96	\$94.26
C1	WHLASMB2130	WHEEL,ASSY,LOW IMPACT,BLACK RIM/GRAY TIRE,6" X 2",W/BEARINGS & SPACER,E-1202-039	1	\$17.57	\$44.8
*D1	FRMASMB17516	SUSPENSION,ASSY,STRUT,FRONT,Q6EDGE,D-1062-099	1	\$35.4	\$90.27
E1	DWR1062C058	SUSPENSION,DAMPER SHOCK,W/10MM BALL ENDS,60MM STROKE,COMPRESSION,C-1062-058	1	\$15.74	\$40.14
F1	SCRHHCS1412	SCREW,HHCS,BLACK ZINC,M8-1.25 X 16MM,GRADE 10.9,W/NYLON PATCH	1	\$1.1	\$2.81
G1	WASMETR1096	WASHER,CUSTOM,BLACK ZINC,8.4MM ID X 30MM OD X 2.5MM TH,B-1005-026	1	\$1.1	\$2.81
H1	NUTNYLK1010	NUT,NYLOCK,BLACK ZINC,1/2-20	1	\$1.1	\$2.81
I1	DWR1065C008	SHROUD,COVER,CAP,CASTER,BLACK,C-1065-008	1	\$1.1	\$2.81
*J1	FRMASMB16043	SUSPENSION,ASSY,STRUT,FRONT,Q6EDGE,D-1062-070	1	\$19.93	\$50.81

Notes :

Only serviceable components are shown. Items with lower-case extensions represent right/left specific components.

*D1 Applicable to Serial Number JB621711001C30 and subsequent.

*J1 Applicable to units manufactured prior to Serial Number JB621711001C30.



Please note: Only serviceable components are shown.
 Items with lower-case extensions represent right/left specific components.

*Note: Right side shown.

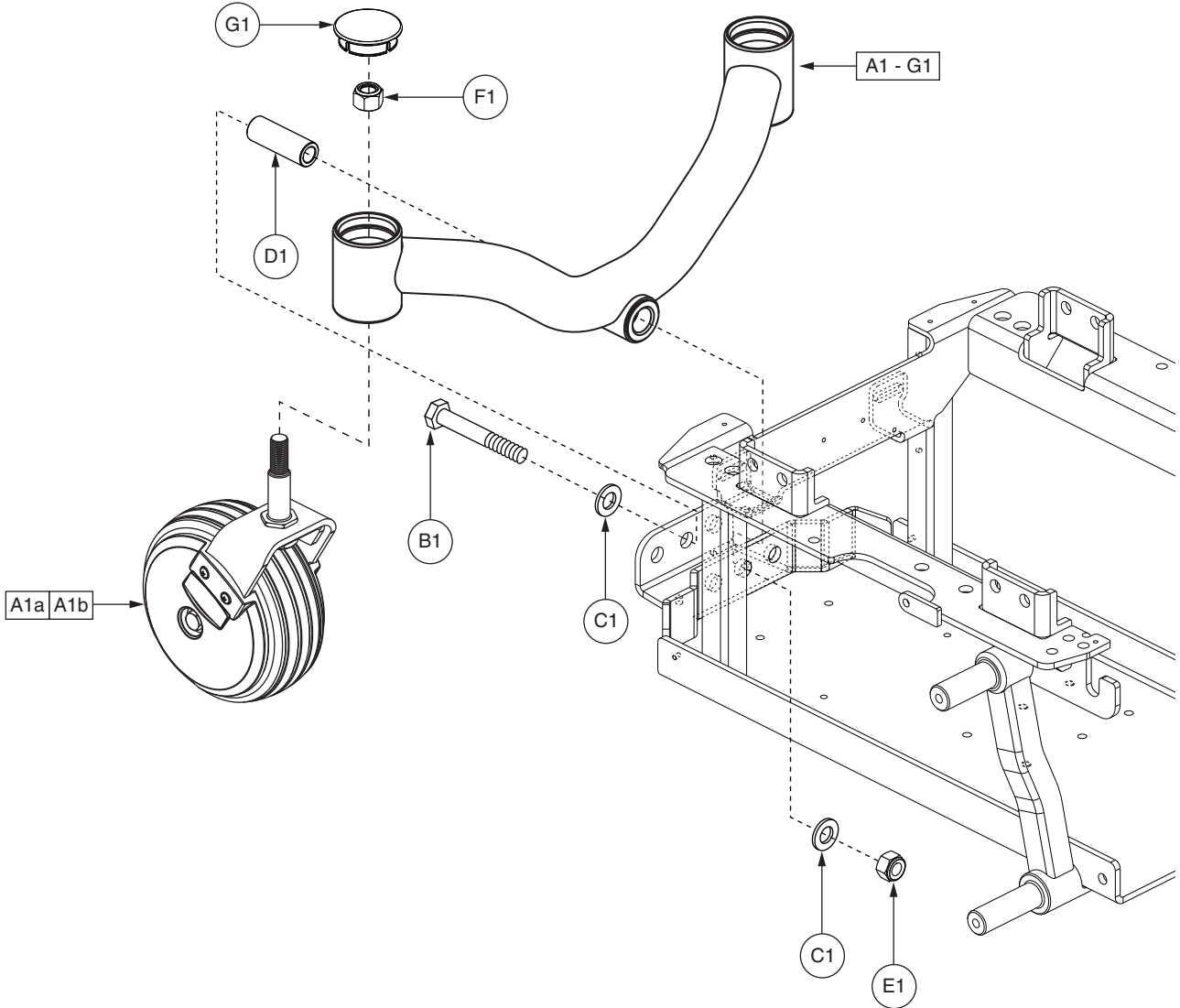
II. Front Caster Arm Assembly — Vent Tray Front Suspension

REF #	PART #	DESCRIPTION	QTY	Dealer \$	MSRP	11i
A1 - I1	FRMASMB17515	CASTER ARM,ASSY,FRONT ARM,FOR 6" CASTERS,VENT TRAY,PAIR,Q6 EDGE	1	\$122.51	\$312.4	
A1a	FRMASMB17514	CASTER ARM,ASSY,W/WHEEL,FOR 6" CASTERS,VENT TRAY,RIGHT,Q6EDGE,E-1062-113	1	N/A	N/A	
A1b	FRMASMB17513	CASTER ARM,ASSY,W/WHEEL,FOR 6" CASTERS,VENT TRAY,LEFT,Q6EDGE,E-1062-112	1	N/A	N/A	
B1a	FRMASMB16285	CASTER,ASSY,LOW IMPACT,BLACK RIM/GRAY TIRE,6" WHEEL,W/FORK & COVERS,RIGHT,W/RADIUS,D-1202-048	1	\$36.96	\$94.26	
B1b	FRMASMB16284	CASTER,ASSY,LOW IMPACT,BLACK RIM/GRAY TIRE,6" WHEEL,W/FORK & COVERS,LEFT,W/RADIUS,D-1202-047	1	\$36.96	\$94.26	
C1	WHLASMB2130	WHEEL,ASSY,LOW IMPACT,BLACK RIM/GRAY TIRE,6" X 2",W/BEARINGS & SPACER,E-1202-039	1	\$17.57	\$44.8	
D1	FRMASMB17518	SUSPENSION,ASSY,STRUT,FRONT,VENT TRAY,Q6EDGE,D-1062-100	1	N/A	N/A	
E1	DWR1062C058	SUSPENSION,DAMPER SHOCK,W/10MM BALL ENDS,60MM STROKE,COMPRESSION,C-1062-058	1	\$15.74	\$40.14	
F1	SCRHHCS1412	SCREW,HHCS,BLACK ZINC,M8-1.25 X 16MM,GRADE 10.9,W/NYLON PATCH	1	\$1.1	\$2.81	
G1	WASMETR1096	WASHER,CUSTOM,BLACK ZINC,8.4MM ID X 30MM OD X 2.5MM TH,B-1005-026	1	\$1.1	\$2.81	
H1	NUTNYLK1010	NUT,NYLOCK,BLACK ZINC,1/2-20	1	\$1.1	\$2.81	
I1	DWR1065C008	SHROUD,COVER,CAP,CASTER,BLACK,C-1065-008	1	\$1.1	\$2.81	

Notes :

Only serviceable components are shown. Items with lower-case extensions represent right/left specific components.

Please note: Only serviceable components are shown.
Items with lower-case extensions represent right/left specific components.



*Note: Right side shown.

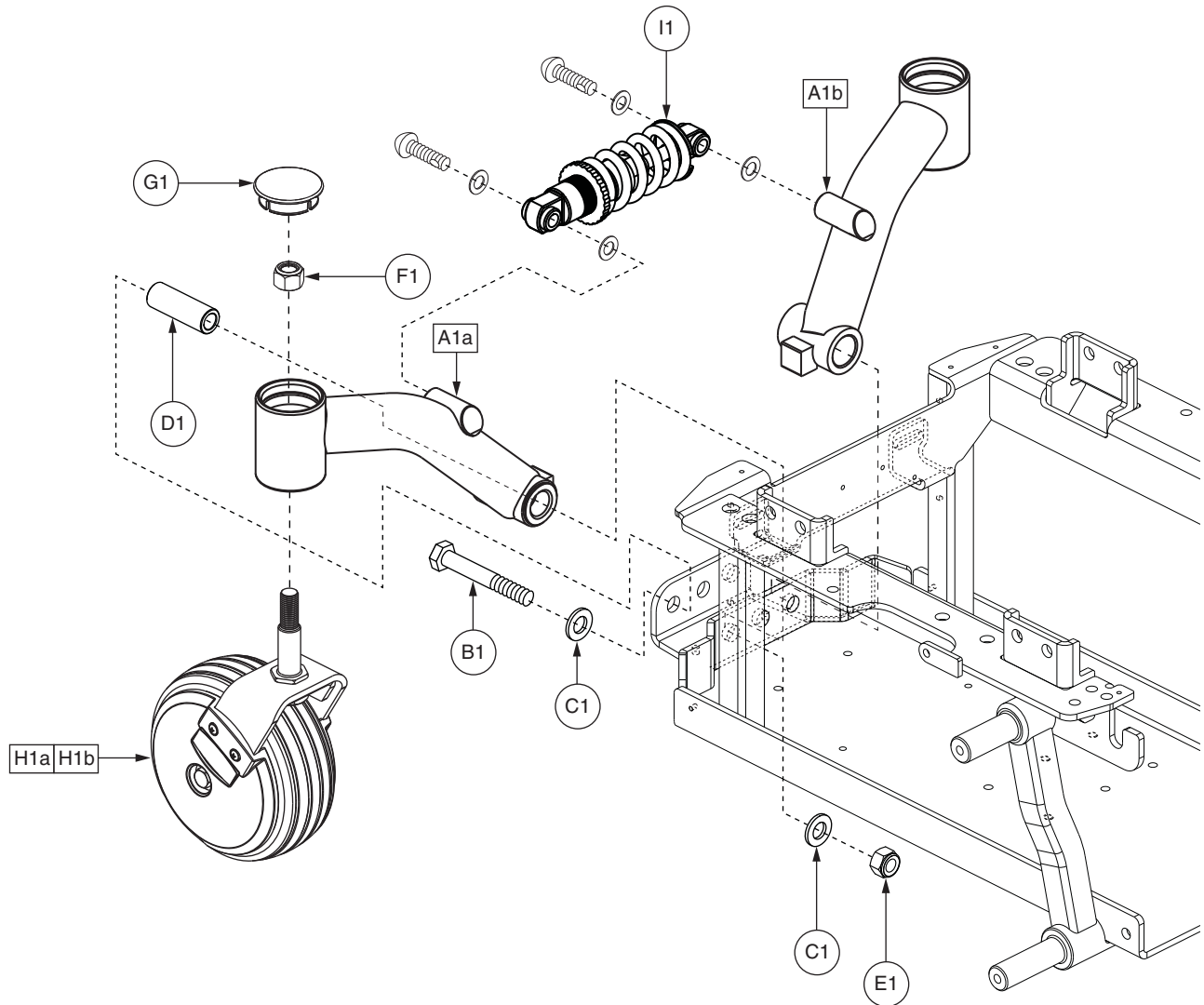
III. Articulating Beam Assembly — Standard, Low Impact 6” Casters

REF #	PART #	DESCRIPTION	QTY	Dealer \$	MSRP	11i
A1 - G1	FRMASMB16051	ARTICULATING BEAM,ASSY,STANDARD,W/6" CASTER WHEELS,Q6 EDGE,D-1062-067	1	\$102.27	\$260.78	
A1a	FRMASMB16284	CASTER,ASSY,LOW IMPACT,BLACK RIM/GRAY TIRE,6" WHEEL,W/FORK & COVERS,LEFT,W/RADIUS,D-1202-047	1	\$36.96	\$94.26	
A1b	FRMASMB16285	CASTER,ASSY,LOW IMPACT,BLACK RIM/GRAY TIRE,6" WHEEL,W/FORK & COVERS,RIGHT,W/RADIUS,D-1202-048	1	\$36.96	\$94.26	
B1	SCRHHCS1619	SCREW,HHCS,BLACK ZINC,M12-1.75 X 85MM,GRADE 12.9	1	\$1.1	\$2.81	
C1	WASMETR1050	WASHER,FLAT,BLACK ZINC,13MM ID X 24MM OD X 2.5MM TH	2	\$1.1	\$2.81	
D1	DWR1062B004	SPACER,SILVER,STEEL,12MM ID X 19MM OD X 54.75MM TH,B-1062- 004	1	\$2.36	\$6.01	
E1	NUTNYLK1066	NUT,NYLOCK,BLACK ZINC,M12-1.25,GRADE 8,(MTS: 53212007)	1	\$1.1	\$2.81	
F1	NUTNYLK1010	NUT,NYLOCK,BLACK ZINC,1/2-20	1	\$1.1	\$2.81	
G1	DWR1065C008	SHROUD,COVER,CAP,CASTER,BLACK,C-1065-008	1	\$1.1	\$2.81	

Notes :

Only serviceable components are shown. Items with lower-case extensions represent right/left specific components.

Please note: Only serviceable components are shown.
Items with lower-case extensions represent right/left specific components.



*Note: Right side shown.

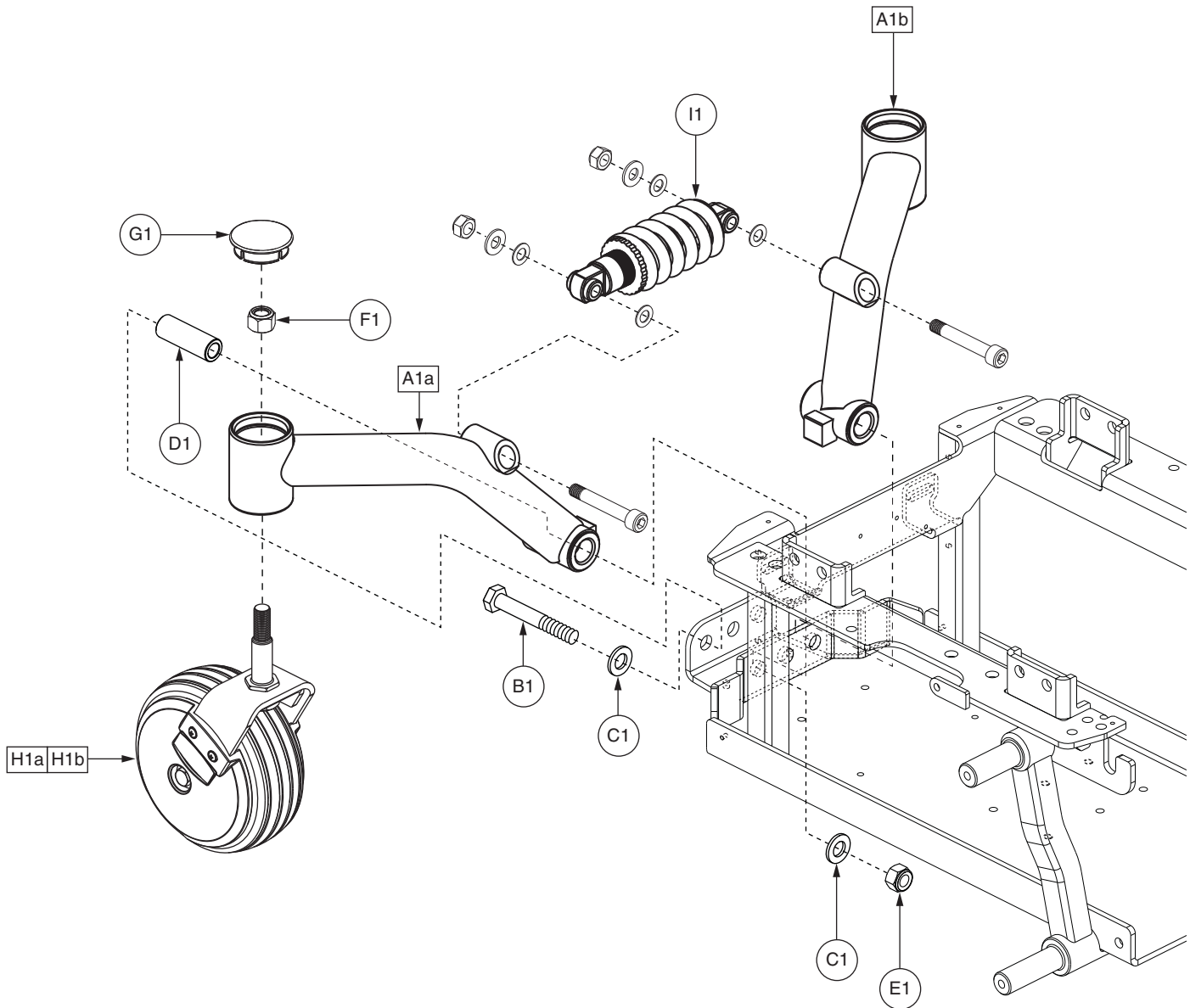
III. Articulating Beam Assembly — Semi-Independent Suspension, Low Impact 6” Casters

REF #	PART #	DESCRIPTION	QTY	Dealer \$	MSRP	11i
A1 - I1	FRMASMB16162	ARTICULATING BEAM,ASSY,SEMI-INDEPENDENT SUSPENSION,W/6" CASTER WHEELS,Q6 EDGE	1	\$193.24	\$492.75	
A1a	FRMASMB16042	ARTICULATING BEAM,ASSY,SEMI-INDEPENDENT SUSPENSION,W/6" CASTER WHEELS,RIGHT,QUANTUM623,E-1062-072	1	\$68.06	\$173.54	
A1b	FRMASMB16041	ARTICULATING BEAM,ASSY,SEMI-INDEPENDENT SUSPENSION,W/6" CASTER WHEELS,LEFT,QUANTUM623,E-1062-069	1	\$68.3	\$174.15	
B1	SCRHHCS1619	SCREW,HHCS,BLACK ZINC,M12-1.75 X 85MM,GRADE 12.9	1	\$1.1	\$2.81	
C1	WASMETR1050	WASHER,FLAT,BLACK ZINC,13MM ID X 24MM OD X 2.5MM TH	2	\$1.1	\$2.81	
D1	DWR1062B004	SPACER,SILVER,STEEL,12MM ID X 19MM OD X 54.75MM TH,B-1062-004	1	\$2.36	\$6.01	
E1	NUTNYLK1066	NUT,NYLOCK,BLACK ZINC,M12-1.25,GRADE 8,(MTS: 53212007)	1	\$1.1	\$2.81	
F1	NUTNYLK1010	NUT,NYLOCK,BLACK ZINC,1/2-20	1	\$1.1	\$2.81	
G1	DWR1065C008	SHROUD,COVER,CAP,CASTER,BLACK,C-1065-008	1	\$1.1	\$2.81	
H1a	FRMASMB16285	CASTER,ASSY,LOW IMPACT,BLACK RIM/GRAY TIRE,6" WHEEL,W/FORK & COVERS,RIGHT,W/RADIUS,D-1202-048	1	\$36.96	\$94.26	
H1b	FRMASMB16284	CASTER,ASSY,LOW IMPACT,BLACK RIM/GRAY TIRE,6" WHEEL,W/FORK & COVERS,LEFT,W/RADIUS,D-1202-047	1	\$36.96	\$94.26	
I1	FRMASMB16043	SUSPENSION,ASSY,STRUT,FRONT,QUANTUM623,D-1062-070	1	\$19.93	\$50.81	

Notes :

Only serviceable components are shown. Items with lower-case extensions represent right/left specific components.

Please note: Only serviceable components are shown.
Items with lower-case extensions represent right/left specific components.



*Note: Right side shown.

III. Articulating Beam Assembly — Semi-Independent Suspension, Low Impact 6” Casters for Vent Tray

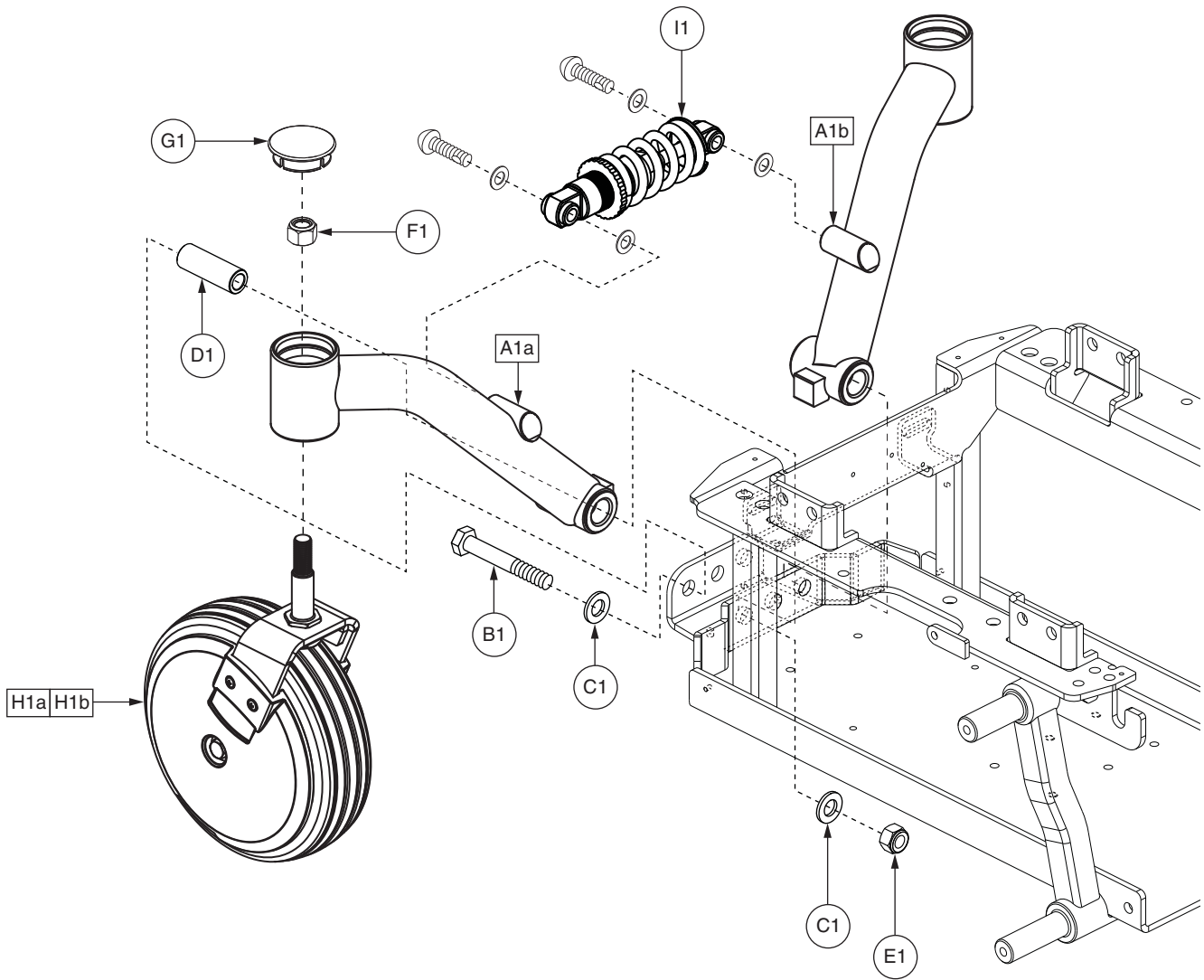
REF #	PART #	DESCRIPTION	QTY	Dealer \$	MSRP	11i
A1 - I1	FRMASMB17468	ARTICULATING BEAM,ASSY,SEMI-INDEPENDENT SUSPENSION,W/6" CASTER WHEELS,VENT TRAY,Q6 EDGE	1	\$158.92	\$405.24	
A1a	FRMASMB16846	ARTICULATING BEAM,ASSY,SEMI-INDEPENDENT SUSPENSION,W/6" CASTER WHEELS,EXTENDED ARM,RIGHT,QUANTUM623,E-1062-097	1	N/A	N/A	
A1b	FRMASMB16845	ARTICULATING BEAM,ASSY,SEMI-INDEPENDENT SUSPENSION,W/6" CASTER WHEELS,EXTENDED ARM,LEFT,QUANTUM623,E-1062-096	1	N/A	N/A	
B1	SCRHHCS1619	SCREW,HHCS,BLACK ZINC,M12-1.75 X 85MM,GRADE 12.9	1	\$1.1	\$2.81	
C1	WASMETR1050	WASHER,FLAT,BLACK ZINC,13MM ID X 24MM OD X 2.5MM TH	2	\$1.1	\$2.81	
D1	DWR1062B004	SPACER,SILVER,STEEL,12MM ID X 19MM OD X 54.75MM TH,B-1062-004	1	\$2.36	\$6.01	
E1	NUTNYLK1066	NUT,NYLOCK,BLACK ZINC,M12-1.25,GRADE 8,(MTS: 53212007)	1	\$1.1	\$2.81	
F1	NUTNYLK1010	NUT,NYLOCK,BLACK ZINC,1/2-20	1	\$1.1	\$2.81	
G1	DWR1065C008	SHROUD,COVER,CAP,CASTER,BLACK,C-1065-008	1	\$1.1	\$2.81	
H1a	FRMASMB16285	CASTER,ASSY,LOW IMPACT,BLACK RIM/GRAY TIRE,6" WHEEL,W/FORK & COVERS,RIGHT,W/RADIUS,D-1202-048	1	\$36.96	\$94.26	
H1b	FRMASMB16284	CASTER,ASSY,LOW IMPACT,BLACK RIM/GRAY TIRE,6" WHEEL,W/FORK & COVERS,LEFT,W/RADIUS,D-1202-047	1	\$36.96	\$94.26	
I1	FRMASMB17517	SUSPENSION,ASSY,STRUT,REAR,VENT TRAY,Q6EDGE,D-1062-101	1	N/A	N/A	

Notes :

Only serviceable components are shown. Items with lower-case extensions represent right/left specific components.

III. Articulating Beam Assembly — Semi-Independent Suspension, Low Impact 8" Casters

Please note: Only serviceable components are shown.
Items with lower-case extensions represent right/left specific components.



*Note: Right side shown.

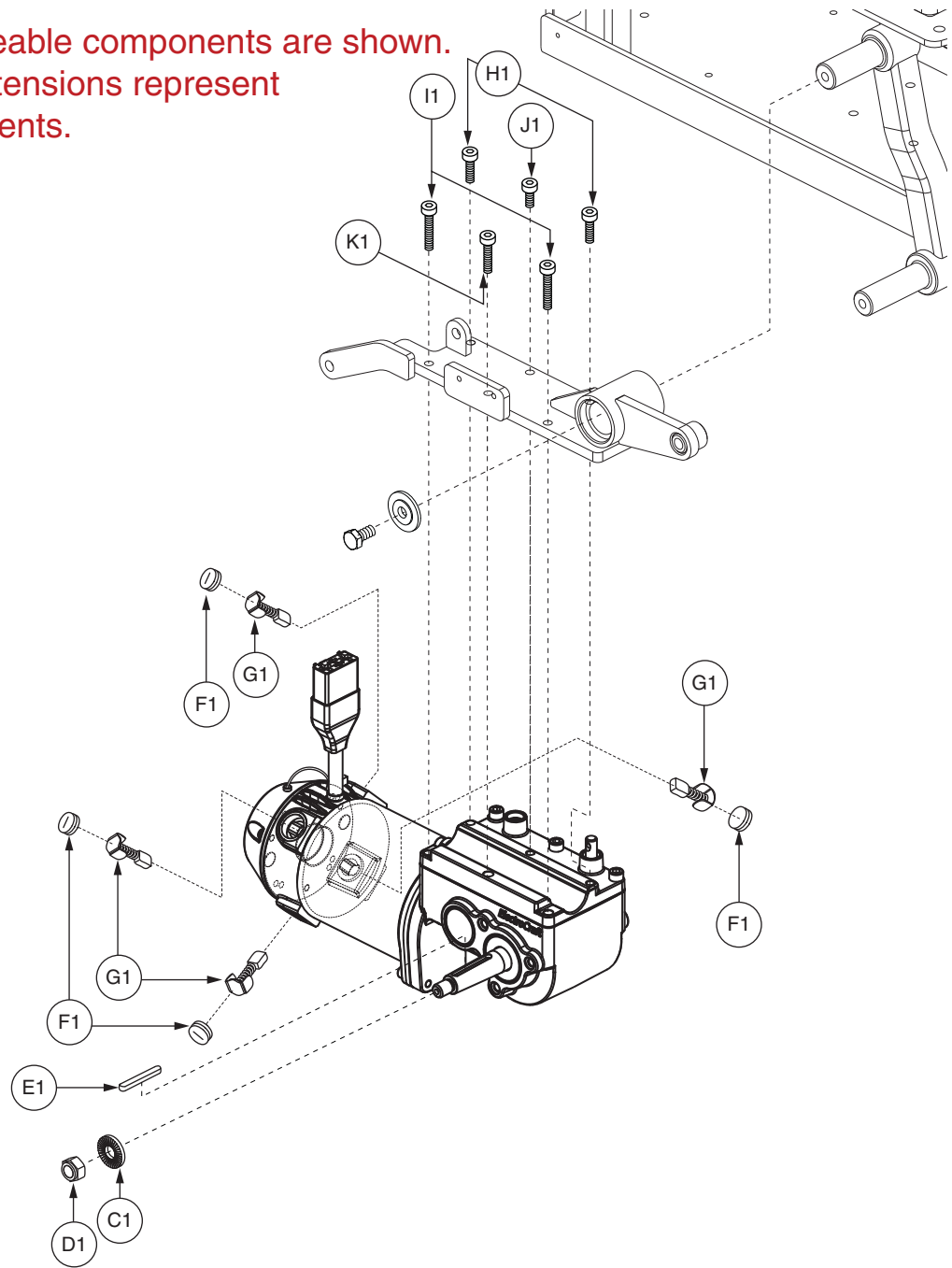
III. Articulating Beam Assembly — Semi-Independent Suspension, Low Impact 8” Casters

REF #	PART #	DESCRIPTION	QTY	Dealer \$	MSRP	11i
A1 - I1	FRMASMB16289	ARTICULATING BEAM,ASSY,SEMI-INDEPENDENT SUSPENSION,W/8" CASTER WHEELS,Q6 EDGE	1	\$168.6	\$429.94	
A1a	FRMASMB16291	ARTICULATING BEAM,ASSY,SEMI-INDEPENDENT SUSPENSION,W/8" CASTER WHEELS,RIGHT,QUANTUM623,E-1062-088	1	\$80.55	\$205.39	
A1b	FRMASMB16290	ARTICULATING BEAM,ASSY,SEMI-INDEPENDENT SUSPENSION,W/8" CASTER WHEELS,LEFT,QUANTUM623,E-1062-087	1	\$80.55	\$205.39	
B1	SCRHHCS1619	SCREW,HHCS,BLACK ZINC,M12-1.75 X 85MM,GRADE 12.9	1	\$1.1	\$2.81	
C1	WASMETR1050	WASHER,FLAT,BLACK ZINC,13MM ID X 24MM OD X 2.5MM TH	2	\$1.1	\$2.81	
D1	DWR1062B004	SPACER,SILVER,STEEL,12MM ID X 19MM OD X 54.75MM TH,B-1062-004	1	\$2.36	\$6.01	
E1	NUTNYLK1066	NUT,NYLOCK,BLACK ZINC,M12-1.25,GRADE 8,(MTS: 53212007)	1	\$1.1	\$2.81	
F1	NUTNYLK1010	NUT,NYLOCK,BLACK ZINC,1/2-20	1	\$1.1	\$2.81	
G1	DWR1065C008	SHROUD,COVER,CAP,CASTER,BLACK,C-1065-008	1	\$1.1	\$2.81	
H1a	FRMASMB16283	CASTER,ASSY,LOW IMPACT,BLACK RIM/GRAY TIRE,8" WHEEL,W/FORK & COVERS,RIGHT,W/RADIUS,E-1202-041	1	\$48.55	\$123.81	
H1b	FRMASMB16282	CASTER,ASSY,LOW IMPACT,BLACK RIM/GRAY TIRE,8" WHEEL,W/FORK & COVERS,LEFT,W/RADIUS,E-1202-040	1	\$48.55	\$123.81	
I1	FRMASMB16043	SUSPENSION,ASSY,STRUT,FRONT,Q6EDGE,D-1062-070	1	\$19.93	\$50.81	

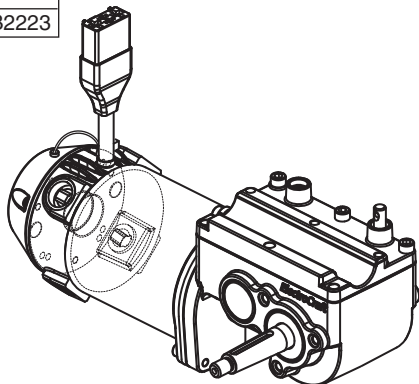
Notes :

Only serviceable components are shown. Items with lower-case extensions represent right/left specific components.

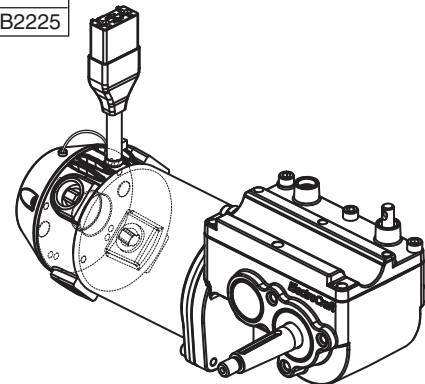
Please note: Only serviceable components are shown.
Items with lower-case extensions represent right/left specific components.



5MPH Drive Motor		
A1a	Right	DRVASMB2224
A1b	Left	DRVASMB2223



6MPH Drive Motor		
B1a	Right	DRVASMB2226
B1b	Left	DRVASMB2225



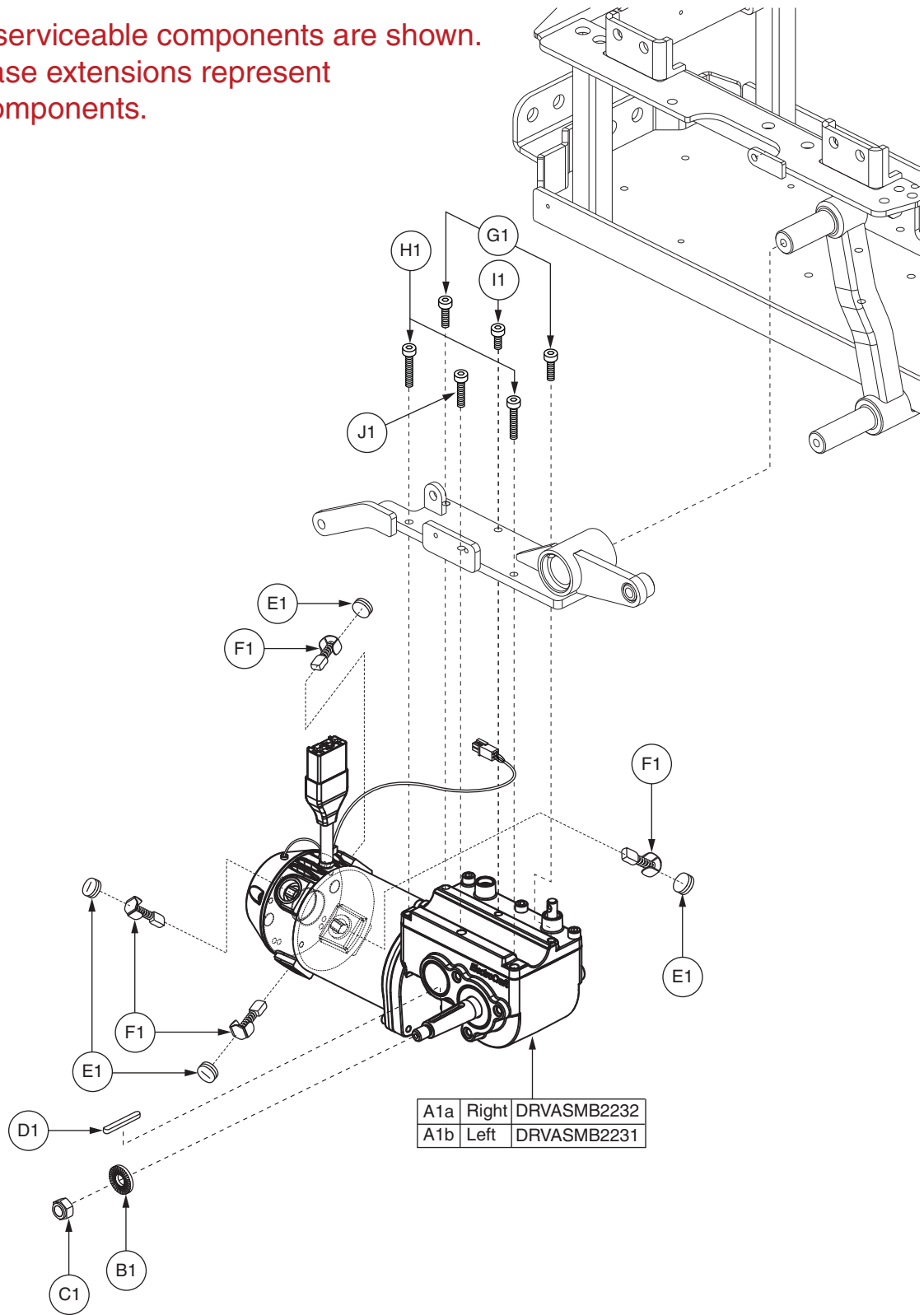
IV. Drive Motor Assembly — Standard, 5MPH and 6MPH

REF #	PART #	DESCRIPTION	QTY	Dealer \$	MSRP	11i
A1a	DRVASMB2224	RIGHT MOTOR,ASSY,DRIVE,E868 G4,W/GEARBOX,125 RPM,26.8:1,CURTIS CONNECTOR,H-1210-055,(ELECTROCRAFT: 868-004-004-02)	1	\$238.14	\$607.26	
A1b	DRVASMB2223	LEFT MOTOR,ASSY,DRIVE,E868 G4,W/GEARBOX,125 RPM,26.8:1,CURTIS CONNECTOR,H-1210-049,(ELECTROCRAFT: 868-003-003-02)	1	\$238.14	\$607.26	
B1a	DRVASMB2226	RIGHT MOTOR,ASSY,DRIVE,E868 G4,W/GEARBOX,160 RPM,21.3:1,CURTIS CONNECTOR,H-1210-056,(ELECTROCRAFT: 868-004-006-02)	1	\$238.14	\$607.26	
B1b	DRVASMB2225	LEFT MOTOR,ASSY,DRIVE,E868 G4,W/GEARBOX,160 RPM,21.3:1,CURTIS CONNECTOR,H-1210-051,(ELECTROCRAFT: 868-003-005-02)	1	\$238.14	\$607.26	
C1	WASMETR1147	WASHER,FLAT,BLACK ZINC,10.3MM ID X 24MM OD X 2.5MM TH,SERRATED	1	\$1.1	\$2.81	
D1	NUTNYLK1041	NUT,NYLOCK,ZINC,M10-1.25,GRADE 8	1	\$1.1	\$2.81	
E1	KEYSTL1026	AXLE KEY,5MM W X 5MM H X 37.5MM L,(ELECTROCRAFT: 1150154019)	1	\$4.76	\$12.14	
F1	PLSINDV1165	BRUSH CAP,MOTOR,702/670/679/925,(ELECTROCRAFT: 0003-0280)	4	\$1.1	\$2.81	
G1	DRVBRSH1033	MOTOR,BRUSH,JAZZY MOTOR,925,(ELECTROCRAFT: 0002-6978)	4	\$3.52	\$8.97	
H1	SCRSHCS1316	SCREW,SHCS,ZINC,M6-1.0 X 20MM,GRADE 12.9	2	\$1.1	\$2.81	
I1	SCRSHCS1154	SCREW, SHCS,M6-1.0 X 35MM,GRADE 12.9	2	\$1.1	\$2.81	
J1	SCRSHCS1322	SCREW,SHCS,ZINC,M6-1.0 X 16MM,GRADE 12.9	1	\$1.1	\$2.81	
K1	SCRSHCS1323	SCREW,SHCS,ZINC,M6-1.0 X 30MM,GRADE 12.9	1	\$1.1	\$2.81	

Notes :

Only serviceable components are shown. Items with lower-case extensions represent right/left specific components.

Please note: Only serviceable components are shown.
 Items with lower-case extensions represent right/left specific components.



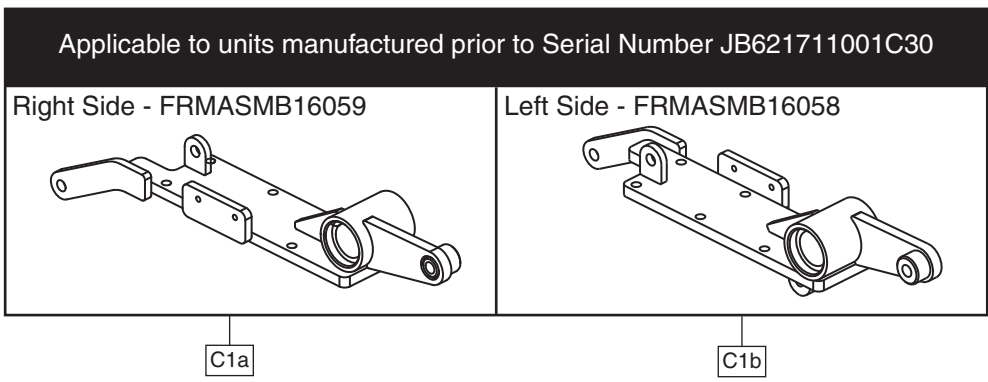
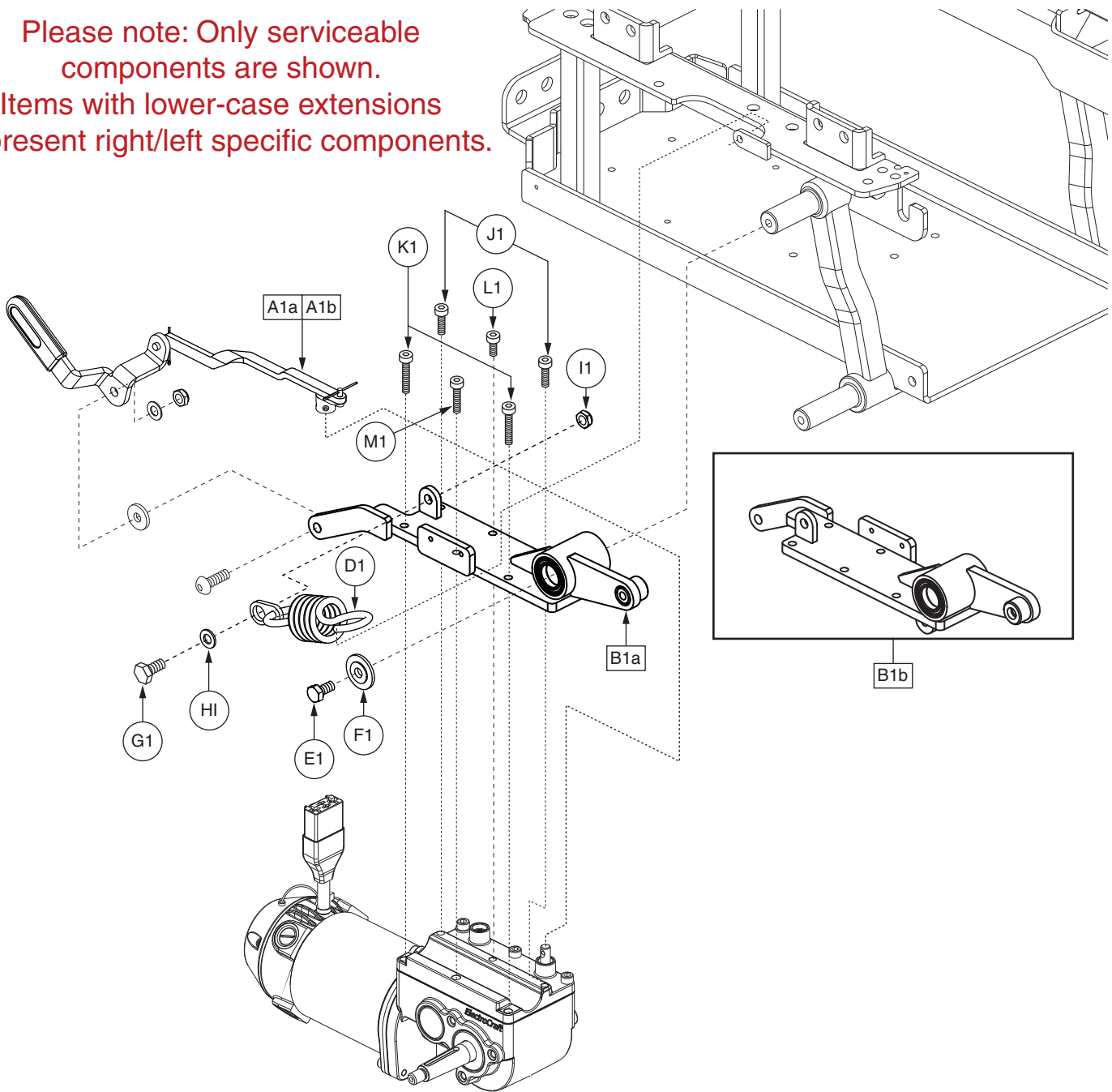
IV. Drive Motor Assembly — Accu-Trac, 6MPH

REF #	PART #	DESCRIPTION	QTY	Dealer \$	MSRP	11i
A1a	DRVASMB2232	RIGHT MOTOR,ASSY,DRIVE,E868 G4,W/GEARBOX,160 RPM,21.3:1,CURTIS CONNECTOR,W/ENCODER,E-1210-166,(ELECTROCRAFT: 868-006-006-02)	1	\$366.26	\$933.96	
A1b	DRVASMB2231	LEFT MOTOR,ASSY,DRIVE,E868 G4,W/GEARBOX,160 RPM,21.3:1,CURTIS CONNECTOR,W/ENCODER,E-1210-163,(ELECTROCRAFT: 868-005-005-02)	1	\$365.57	\$932.21	
B1	WASMETR1147	WASHER,FLAT,BLACK ZINC,10.3MM ID X 24MM OD X 2.5MM TH,SERRATED	1	\$1.1	\$2.81	
C1	NUTNYLK1041	NUT,NYLOCK,ZINC,M10-1.25,GRADE 8	1	\$1.1	\$2.81	
D1	KEYSTL1026	AXLE KEY,5MM W X 5MM H X 37.5MM L,(ELECTROCRAFT: 1150154019)	1	\$4.76	\$12.14	
E1	PLSINDV1165	BRUSH CAP,MOTOR,702/670/679/925,(ELECTROCRAFT: 0003-0280)	4	\$1.1	\$2.81	
F1	DRVBRSH1033	MOTOR,BRUSH,JAZZY MOTOR,925,(ELECTROCRAFT: 0002-6978)	4	\$3.52	\$8.97	
G1	SCRSHCS1316	SCREW,SHCS,ZINC,M6-1.0 X 20MM,GRADE 12.9	2	\$1.1	\$2.81	
H1	SCRSHCS1154	SCREW, SHCS,M6-1.0 X 35MM,GRADE 12.9	2	\$1.1	\$2.81	
I1	SCRSHCS1322	SCREW,SHCS,ZINC,M6-1.0 X 16MM,GRADE 12.9	1	\$1.1	\$2.81	
J1	SCRSHCS1323	SCREW,SHCS,ZINC,M6-1.0 X 30MM,GRADE 12.9	1	\$1.1	\$2.81	

Notes :

Only serviceable components are shown. Items with lower-case extensions represent right/left specific components.

Please note: Only serviceable components are shown.
 Items with lower-case extensions represent right/left specific components.



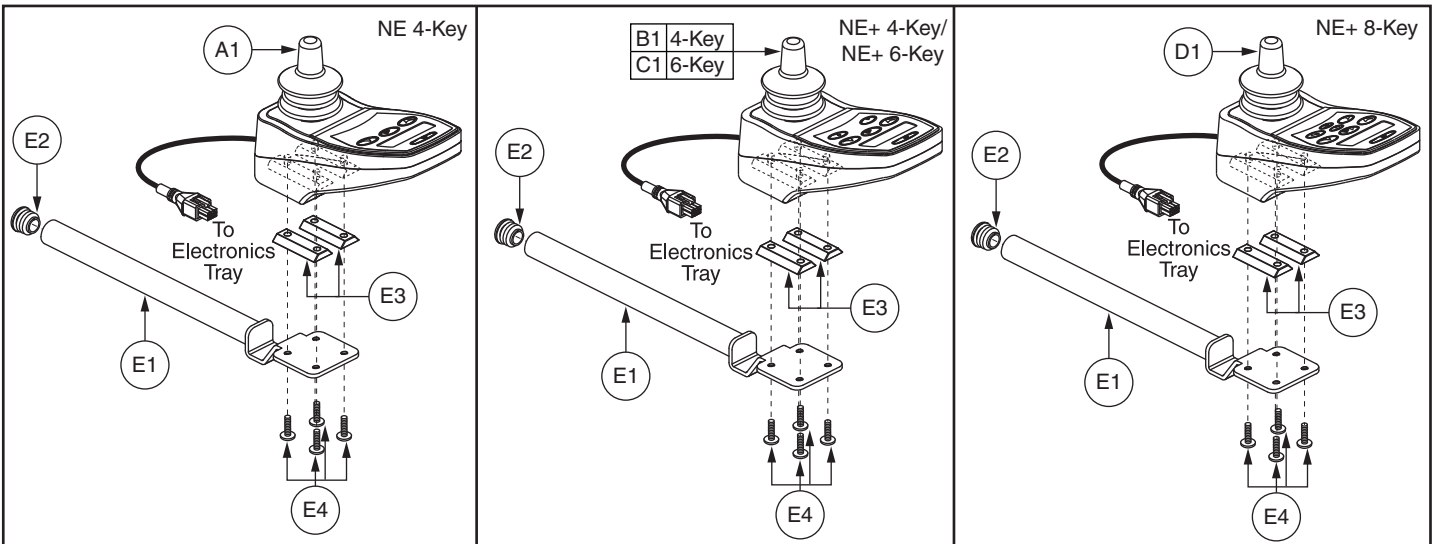
V. Freewheel Lever and Motor Mount Assembly

REF #	PART #	DESCRIPTION	QTY	Dealer \$	MSRP	11i
A1a	FRMASMB16057	FREEWHEEL,ASSY,RELEASE,RIGHT,QUANTUM623,C-1062-053	1	\$11.8	\$30.09	
A1b	FRMASMB16056	FREEWHEEL,ASSY,RELEASE,LEFT,QUANTUM623,C-1062-052	1	\$11.8	\$30.09	
*B1a	FRMASMB17954	MOTOR MOUNT,ASSY,RIGHT,W/MOUNTING HARDWARE,Q6EDGE,D-1062-113	1	\$26.09	\$66.53	
*B1b	FRMASMB17953	MOTOR MOUNT,ASSY,LEFT,W/MOUNTING HARDWARE,Q6EDGE,D-1062-112	1	\$26.09	\$66.53	
*C1a	FRMASMB16059	MOTOR MOUNT,ASSY,RIGHT,W/MOUNTING HARDWARE,QUANTUM623,D-1062-069	1	\$26.09	\$66.53	
*C1b	FRMASMB16058	MOTOR MOUNT,ASSY,LEFT,W/MOUNTING HARDWARE,QUANTUM623,D-1062-068	1	\$26.09	\$66.53	
D1	FRMASMB16030	SUSPENSION,ASSY,PIVOTING SPRING MOUNT,QUANTUM623,C-1062-044	1	\$8.23	\$20.98	
E1	SCRHHCS1412	SCREW,HHCS,BLACK ZINC,M8-1.25 X 16MM,GRADE 10.9,W/NYLON PATCH	1	\$1.1	\$2.81	
F1	WASMETR1096	WASHER,CUSTOM,BLACK ZINC,8.4MM ID X 30MM OD X 2.5MM TH,B-1005-026	1	\$1.1	\$2.81	
G1	SCRHHCS1282	SCREW,HHCS,BLACK ZINC CHROMATE,M8-1.25 X 20MM,GRADE 12.9	1	\$1.1	\$2.81	
H1	WASMETR1029	WASHER,FLAT,BLACK ZINC,8.4MM ID X 16MM OD X 1.6MM TH,METRIC,GB96-8	1	\$1.1	\$2.81	
I1	NUTNJAM1020	NUT,NYLOCK JAM,BLACK ZINC,M8-1.25	1	\$1.1	\$2.81	
J1	SCRSHCS1316	SCREW,SHCS,ZINC,M6-1.0 X 20MM,GRADE 12.9	2	\$1.1	\$2.81	
K1	SCRSHCS1154	SCREW,SHCS,M6-1.0 X 35MM,GRADE 12.9	2	\$1.1	\$2.81	
L1	SCRSHCS1322	SCREW,SHCS,ZINC,M6-1.0 X 16MM,GRADE 12.9	1	\$1.1	\$2.81	
M1	SCRSHCS1323	SCREW,SHCS,ZINC,M6-1.0 X 30MM,GRADE 12.9	1	\$1.1	\$2.81	

Notes :

Only serviceable components are shown. Items with lower-case extensions represent right/left specific components.

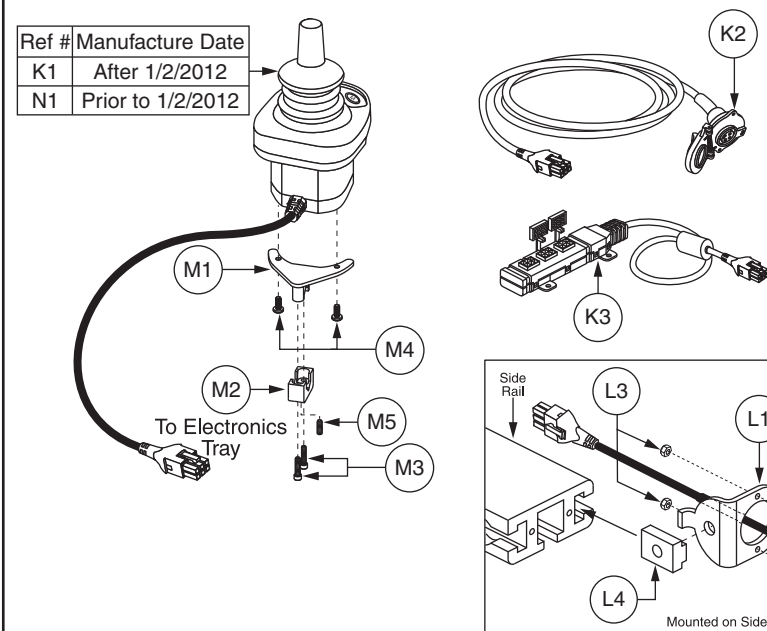
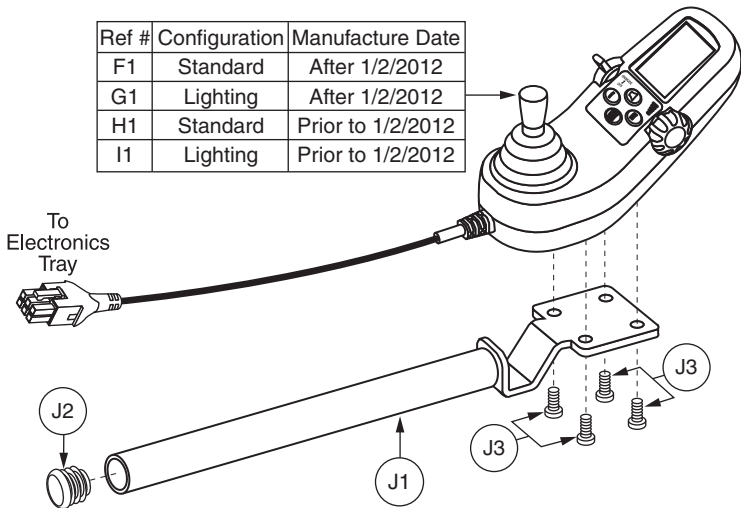
- *B1a Applicable to Serial Number JB621711001C30 and subsequent.
- *B1b Applicable to Serial Number JB621711001C30 and subsequent.
- *C1a Applicable to units manufactured prior to Serial Number JB621711001C30.
- *C1b Applicable to units manufactured prior to Serial Number JB621711001C30.



*****Q-Logic Joystick Replacement*****

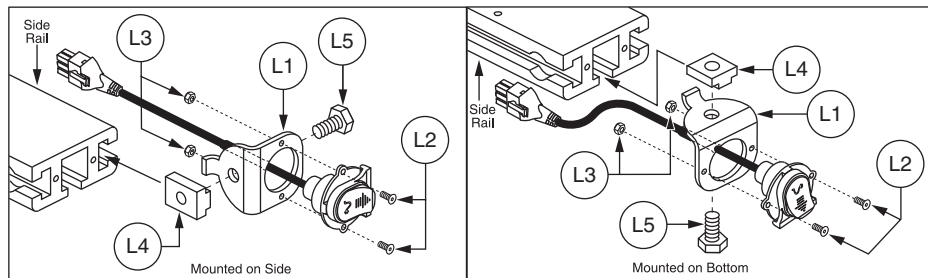
Please note: Units manufactured prior to January 2, 2012, **REQUIRE the selection of CTLASMB7110020 (H1) for Standard Joystick configurations and CTLASMB7110021 (I1) for Lighting Joystick configurations.**

Ref #	Configuration	Manufacture Date
F1	Standard	After 1/2/2012
G1	Lighting	After 1/2/2012
H1	Standard	Prior to 1/2/2012
I1	Lighting	Prior to 1/2/2012



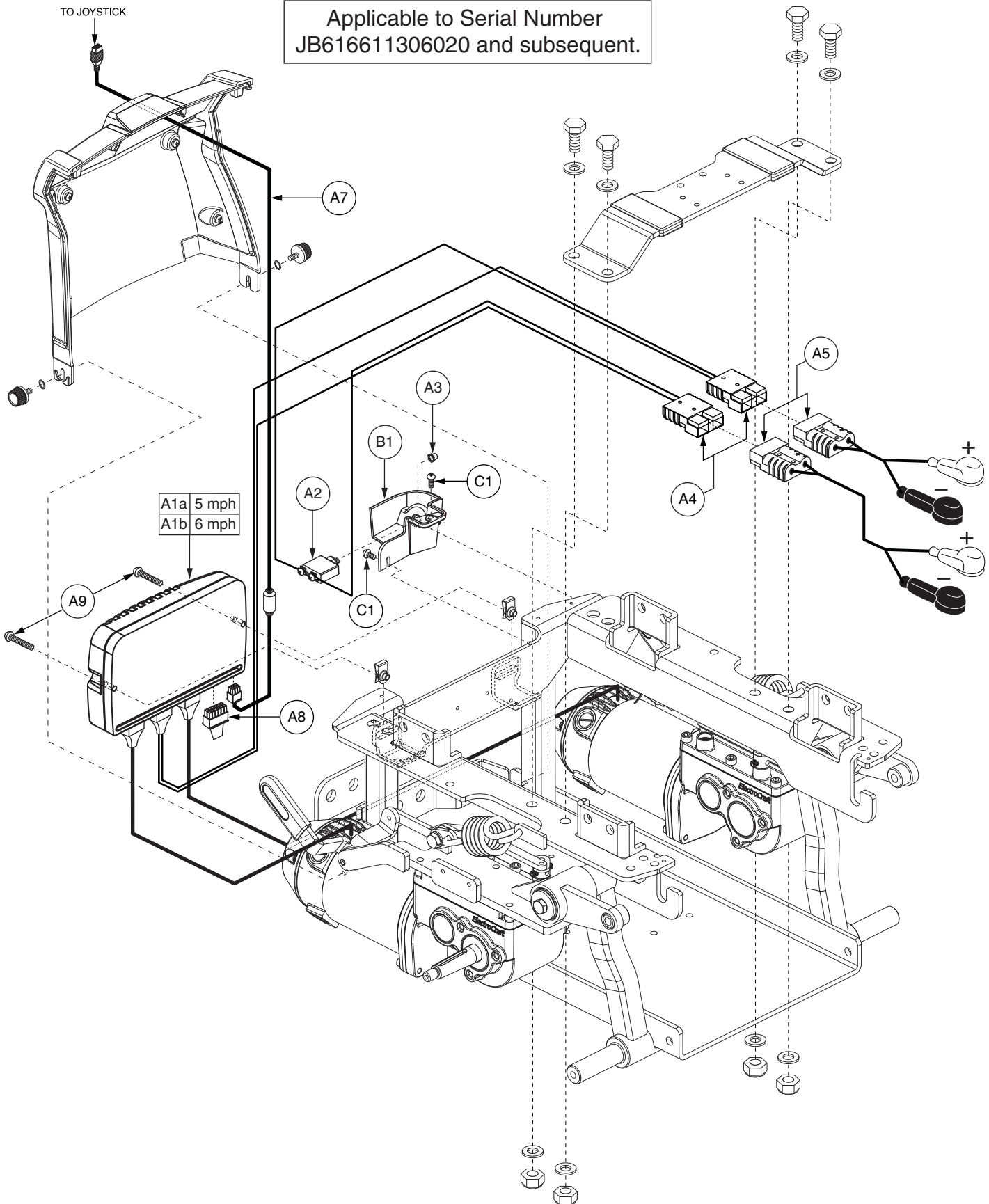
*****Q-Logic Stand Alone Joystick Replacement*****

Please note: Units manufactured prior to January 2, 2012, **REQUIRE the selection of CTLASMB7110040 (N1).**



VI. Controller Assembly

REF #	PART #	DESCRIPTION	QTY	Dealer \$	MSRP	11i
A1	CTLDC1554	CONTROLLER,JOYSTICK MODULE,CURTIS,NE,4 KEY,H-1111-263,(CURTIS: 378692019)	1	\$169.34	\$431.82	
B1	CTLDC1559	CONTROLLER,JOYSTICK MODULE,CURTIS NE PLUS,4 KEY,SWITCH JACKS,H-1111-267,(CURTIS: 17904700)	1	N/A	N/A	
C1	CTLDC1560	CONTROLLER,JOYSTICK MODULE,CURTIS NE+,6 KEY,SWITCH JACKS AND ACTUATORS,H-1111-268,(CURTIS: 17905700)	1	\$226.8	\$578.34	
D1	CTLDC1552	CONTROLLER,POWER MODULE,75AMP,NE PLUS,CURTIS,H-1111-261,(CURTIS: 17900700)	1	\$476.28	\$1214.51	
E1 - E4	FRMASMB12744	JOYSTICK MOUNTING BRACKET,ASSY,NE/NE+ CONTROLLER,INLINE	1	\$21.25	\$54.18	
E1	DWR1010D317	MOUNTING BRACKET,CURTIS CONTROLLER,INLINE,D-1010-317	1	\$15.35	\$39.13	
E2	PROECAP1014	CAP,END,BLACK,PLASTIC,19MM OD,FITS 15MM ID TUBING,ROUND,B-9940-014	1	\$1.1	\$2.81	
E3	DWR1111C002	SPACER,CURTIS NE/NE PLUS MOUNT BRACKET,C-1111-002	2	\$3.65	\$9.32	
E4	SCRSHFH1053	SCREW,SHFH,BLACK ZINC,M5-.8 X 20MM	4	\$1.1	\$2.81	
F1	CTLDC1467	CONTROLLER,JOYSTICK MODULE,Q-LOGIC,CURTIS,4 KEY,W/LCD COLOR DISPLAY,H-1111-022,(CURTIS: 17856700)	1	\$385	\$981.75	
G1	CTLDC1468	CONTROLLER,JOYSTICK MODULE,Q-LOGIC,CURTIS,4 KEY,LIGHTS,W/LCD COLOR DISPLAY,H-1111-023,(CURTIS: 17867700)	1	\$385	\$981.75	
H1	CTLASMB7110020	CONTROLLER,JOYSTICK MODULE,Q-LOGIC (FW 1.38),CURTIS,4 KEY,W/LCD COLOR DISPLAY	1	\$385	\$981.75	
I1	CTLASMB7110021	CONTROLLER,JOYSTICK MODULE,Q-LOGIC (FW 1.38),CURTIS,4 KEY,LIGHTS,W/LCD COLOR DISPLAY	1	\$385	\$981.75	
J1 - J3	FRMASMB10617	JOYSTICK MOUNTING BRACKET,ASSY,CURTIS CONTROLLER,INLINE	1	\$20.86	\$53.2	
J1	DWR1010D317	MOUNTING BRACKET,CURTIS CONTROLLER,INLINE,D-1010-317	1	\$15.35	\$39.13	
J2	PROECAP1014	CAP,END,BLACK,PLASTIC,19MM OD,FITS 15MM ID TUBING,ROUND,B-9940-014	1	\$1.1	\$2.81	
J3	SCRSHFH1015	SCREW,SHFH,BLACK ZINC,M5-.8 X 12MM,GRADE 10.9	4	\$1.1	\$2.81	
K1 - L5	ELEASMB5205	CONTROLLER,ASSY,CURTIS,STAND ALONE JOYSTICK/ATTENDANT CONTROL	1	\$706.58	\$1801.77	
K1	CTLDC1469	CONTROLLER,STAND ALONE JOYSTICK,Q-LOGIC,CURTIS,H-1111-024,(CURTIS: 17859700)	1	\$420	\$700	
K2	DWR1111H051	HARNESS,CHARGER/PROGRAMMER,1.0 METER,H-1111-051,(CURTIS: 17880700)	1	\$59.54	\$151.81	
K3	DWR1111H053	HARNESS,MULTIPLIER BOX,0.3 METER,H-1111-053,(CURTIS: 17869700)	1	\$132.73	\$221.21	
L1 - L5	FRMASMB11156	MOUNTING BRACKET,ASSY,STAND ALONE JOYSTICK,SIDE RAIL MOUNT,C-1360-163	1	\$13.52	\$34.49	
L1	DWR1360C162	MOUNTING BRACKET,STAND ALONE JOYSTICK,SIDE RAIL MOUNT,C-1360-162	1	N/A	N/A	
L2	SCRSHFH1114	SCREW,SHFH,BLACK ZINC,4-40 X 0.50"	2	\$1.1	\$2.81	
L3	NUTNYLK1009	NUT,NYLOCK,BLACK ZINC,4-40	2	\$1.1	\$2.81	
L4	DWR1360A004	T-NUT,5/16-18 X 0.875",A-1360-004	1	\$2.26	\$5.78	
L5	SCRHHCS1301	SCREW,HHCS,BLACK ZINC,5/16-18 X 0.50",GRADE 8,W/NYLON PATCH	1	\$1.1	\$2.81	
M1 - M5	FRMASMB10454	JOYSTICK MOUNTING BRACKET,ASSY,CURTIS STAND ALONE JOYSTICK,MIDLINE,C-1010-263	1	\$52.64	\$134.24	
M1	DWR1010C258	MOUNTING BRACKET WELDMENT,CURTIS STAND ALONE JOYSTICK,MIDLINE,C-1010-258	1	N/A	N/A	
M2	DWR1000B332	MOUNTING BRACKET,TOP CLAMP,RJM MOUNT BRACKET,B-1000-332	1	N/A	N/A	
M3	SCRSHCS1171	SCREW,SHCS,BLACK ZINC,6-32 X 0.625"	2	\$1.1	\$2.81	
M4	SCRPPH1165	SCREW,PPH,BLACK ZINC,M4-.7 X 8MM,P-TYPE	2	\$1.1	\$2.81	
M5	SCRSETS1078	SCREW,SET,BLACK ZINC,10-32 X 0.250",W/NYLON PATCH	1	\$1.1	\$2.81	
N1	CTLASMB7110040	CONTROLLER,STAND ALONE JOYSTICK (FW 1.36),Q-LOGIC	1	\$420	\$700	

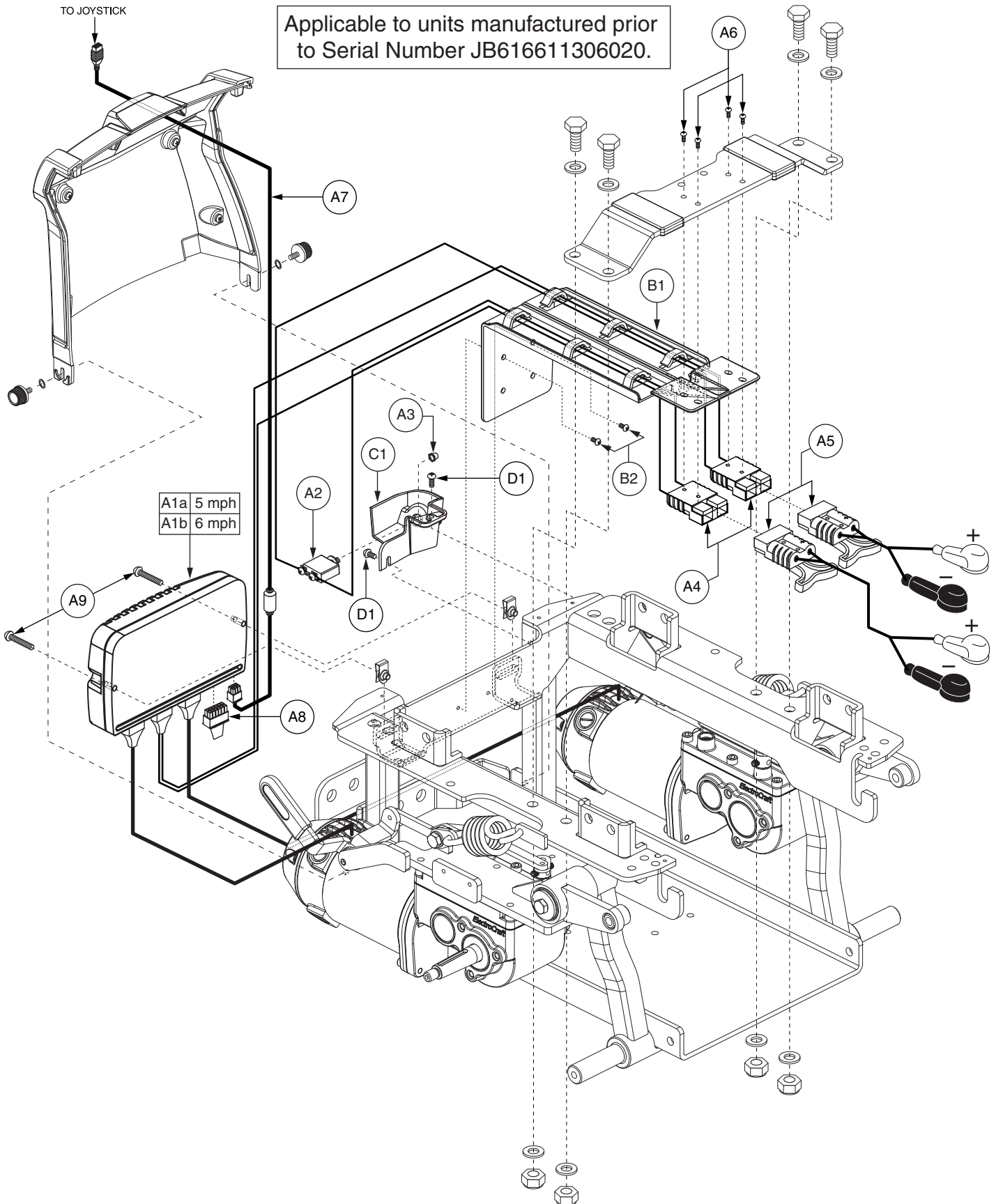


REF #	PART #	DESCRIPTION	QTY	Dealer \$	11i MSRP
A1a - A9	ELEASMB7042	ELECTRONIC,ASSY,NE,CURTIS,G4,5 MPH,125 RPM MOTORS,Q6 EDGE	1	\$561.7	\$1432.34
A1a	ELEASMB7050	CONTROLLER,NE,CURTIS,ASSY,75 AMP,W/G4,5 MPH,125 RPM PROGRAM,Q6 EDGE	1	\$192.63	\$491.2
A1b - A9	ELEASMB7074	ELECTRONIC,ASSY,NE,CURTIS,G4,6 MPH,160 RPM MOTORS,Q6 EDGE	1	\$561.7	\$1432.34
A1b	ELEASMB7080	CONTROLLER,NE,CURTIS,ASSY,75 AMP,W/G4,6 MPH,160 RPM PROGRAM,Q6 EDGE	1	\$192.63	\$491.2
A2	ELEASMB1000	ELECTRONIC,ASSY,CIRCUIT BREAKER,50 AMP,COMPLETE,RIGHT ANGLE TERMINALS,PUSH TO RESET,H-1000-204	1	\$17.73	\$45.2
A3	INDPART2148	COVER,12 X 1.25T,BREAKER BUTTON, W/NUT	1	\$2.21	\$5.63
A4	DWR1062H003	ELECTRONIC,HARNESS,POWER CABLE,Q6EDGE,Q-LOGIC,H-1062-003	1	\$50.91	\$129.82
A5	DWR1502H005	ELECTRONIC,ASSY,BATTERY CABLE,GRAY,W/125A/32V FUSEABLE LINK,QUICK DISCONNECT,H-1502-005	2	\$36.7	\$93.59
*A6	PLSTIE1004	TIE WRAP,BLACK,8"	5	\$1.1	\$2.81
A7	DWR1111H065	ELECTRONIC,HARNESS,BUS EXTENSION CABLE,CURTIS,0.410 METER,MALE/FEMALE,H-1111-065,(CURTIS: 17881303)	1	\$210	\$350
A8	DWR1265H061	ELECTRONIC,HARNESS,RUN PLUG,NE,CURTIS,H-1265-061	1	\$3.57	\$9.1
A9	SCRPPH1390	SCREW,PPH,BLACK ZINC,M5-.8 X 35MM	2	\$1.1	\$2.81
B1	DWR1062D078	SHROUD,BREAKER MOUNT,BLACK,MOLDED ABS,D-1062-078	1	\$1.35	\$3.44
C1	SCRPPH1036	SCREW,PPH,BLACK ZINC,M4-.7 X 8MM	2	\$1.1	\$2.81

Notes :

Applicable to Serial Number JB616611306020 and subsequent. Top-level assemblies will include components designated with corresponding lower-case letters. Parts without lower-case letters will be included in all top-level assemblies.

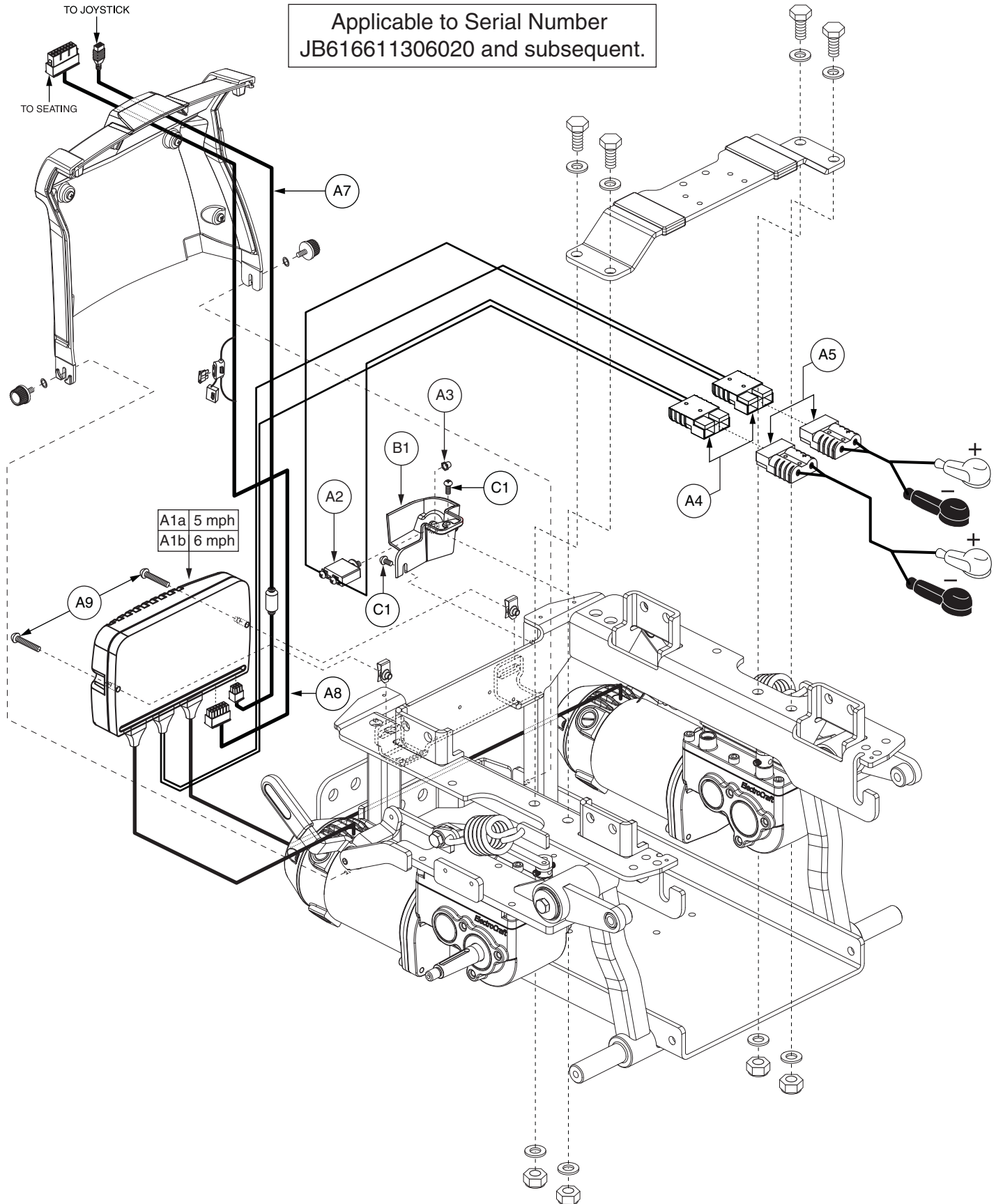
*A6 Not shown.



REF #	PART #	DESCRIPTION	QTY	Dealer \$	MSRP	11i
A1a	ELEASMB7050	CONTROLLER,NE,CURTIS,ASSY,75 AMP,W/G4,5 MPH,125 RPM PROGRAM,Q6 EDGE	1	\$192.63	\$491.2	
A1b	ELEASMB7080	CONTROLLER,NE,CURTIS,ASSY,75 AMP,W/G4,6 MPH,160 RPM PROGRAM,Q6 EDGE	1	\$192.63	\$491.2	
A2	ELEASMB1000	ELECTRONIC,ASSY,CIRCUIT BREAKER,50 AMP,COMPLETE,RIGHT ANGLE TERMINALS,PUSH TO RESET,H-1000-204	1	\$17.73	\$45.2	
A3	INDPART2148	COVER,12 X 1.25T,BREAKER BUTTON, W/NUT	1	\$2.21	\$5.63	
A4	DWR1062H001	ELECTRONIC,HARNESS,POWER CABLE,Q6EDGE,Q-LOGIC,H-1062-001	1	\$47.6	\$121.38	
A5	ELEASMB2868	ELECTRONIC,ASSY,BATTERY CABLE,GRAY,W/125A/32V FUSEABLE LINK,QUICK DISCONNECT,H-1500-013	2	\$64.75	\$165.1	
A6	SCRPPH1282	SCREW, PPH,BLACK,ZINC,M4 X 16MM,THREAD CUTTING	4	\$1.1	\$2.81	
A7	DWR1111H065	ELECTRONIC,HARNESS,BUS EXTENSION CABLE,CURTIS,0.410 METER,MALE/FEMALE,H-1111-065,(CURTIS: 17881303)	1	\$210	\$350	
A8	DWR1265H061	ELECTRONIC,HARNESS,RUN PLUG,NE,CURTIS,H-1265-061	1	\$3.57	\$9.1	
A9	SCRPPH1390	SCREW,PPH,BLACK ZINC,M5-.8 X 35MM	2	\$1.1	\$2.81	
B1 - B2	FRMASMB16164	FRAME,ASSY,WIRE LOOM,Q6 EDGE	1	\$5.05	\$12.88	
B1	DWR1059E030	FRAME,WIRE LOOM,BLACK,PLASTIC,E-1059-030	1	N/A	N/A	
B2	SCRPPH1036	SCREW,PPH,BLACK ZINC,M4-.7 X 8MM	2	\$1.1	\$2.81	
C1	DWR1062D078	SHROUD,BREAKER MOUNT,BLACK,MOLDED ABS,D-1062-078	1	\$1.35	\$3.44	
D1	SCRPPH1036	SCREW,PPH,BLACK ZINC,M4-.7 X 8MM	2	\$1.1	\$2.81	

Notes :

Applicable to units manufactured prior to Serial Number JB616611306020.



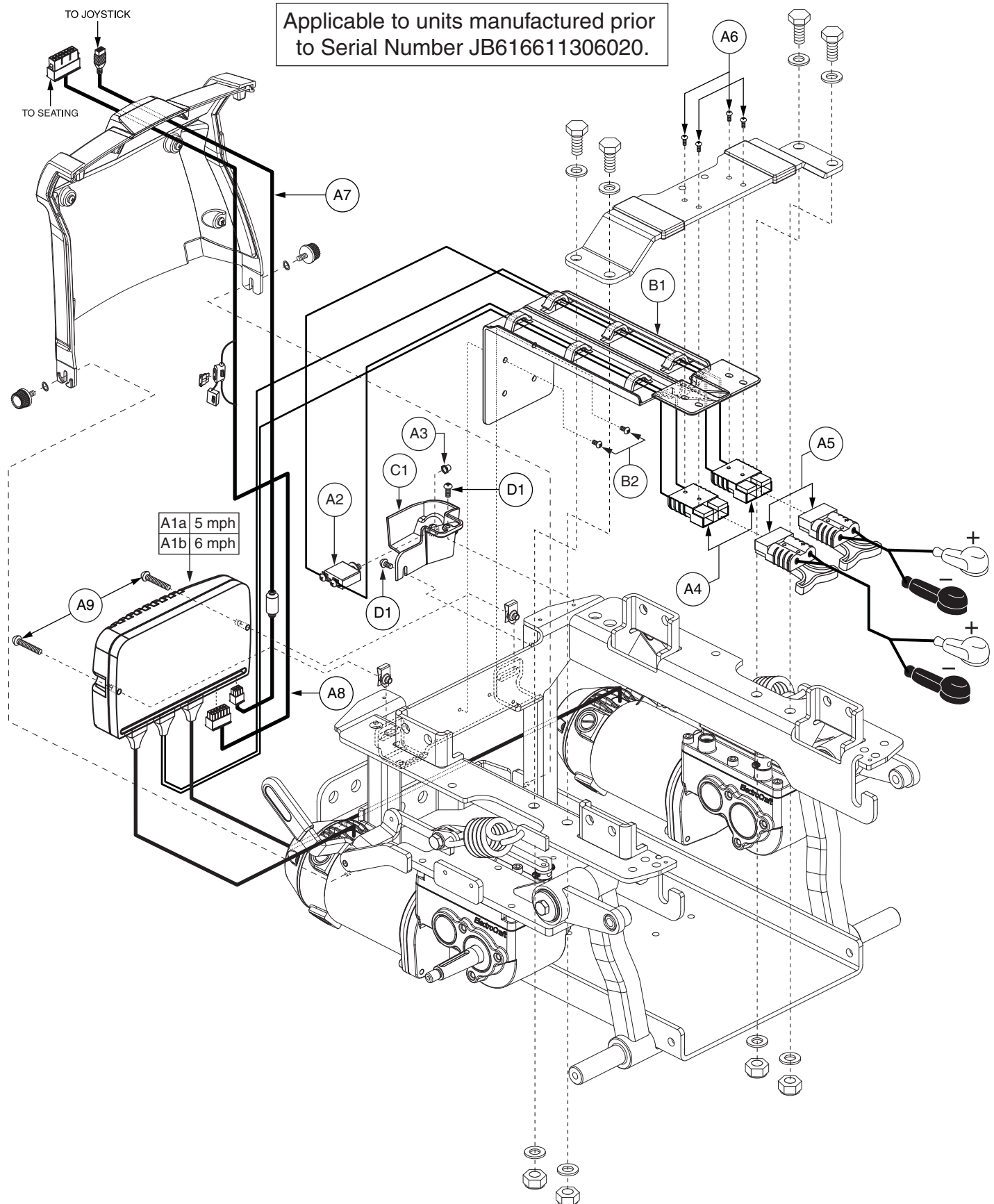
VII. Electronics Assembly — NE, Tilt thru Toggle

REF #	PART #	DESCRIPTION	QTY	Dealer \$	11i MSRP
A1 - A9	ELEASMB7043	ELECTRONIC,ASSY,NE,CURTIS,G4,5 MPH,125 RPM MOTORS,Q6 EDGE,TILT THRU TOGGLE	1	\$580.73	\$1480.86
A1a	ELEASMB7050	CONTROLLER,NE,CURTIS,ASSY,75 AMP,W/G4,5 MPH,125 RPM PROGRAM,Q6 EDGE	1	\$192.63	\$491.2
A1b - A9	ELEASMB7075	ELECTRONIC,ASSY,NE,CURTIS,G4,6 MPH,160 RPM MOTORS,Q6 EDGE,TILT THRU TOGGLE	1	\$580.73	\$1480.86
A1b	ELEASMB7080	CONTROLLER,NE,CURTIS,ASSY,75 AMP,W/G4,6 MPH,160 RPM PROGRAM,Q6 EDGE	1	\$192.63	\$491.2
A2	ELEASMB1000	ELECTRONIC,ASSY,CIRCUIT BREAKER,50 AMP,COMPLETE,RIGHT ANGLE TERMINALS,PUSH TO RESET,H-1000-204	1	\$17.73	\$45.2
A3	INDPART2148	COVER,12 X 1.25T,BREAKER BUTTON, W/NUT	1	\$2.21	\$5.63
A4	DWR1062H003	ELECTRONIC,HARNESS,POWER CABLE,Q6EDGE,Q-LOGIC,H-1062-003	1	\$50.91	\$129.82
A5	DWR1502H005	ELECTRONIC,ASSY,BATTERY CABLE,GRAY,W/125A/32V FUSEABLE LINK,QUICK DISCONNECT,H-1502-005	2	\$36.7	\$93.59
*A6	PLSTIE1004	TIE WRAP,BLACK,8"	5	\$1.1	\$2.81
A7	DWR1111H065	ELECTRONIC,HARNESS,BUS EXTENSION CABLE,CURTIS,0.410 METER,MALE/FEMALE,H-1111-065,(CURTIS: 17881303)	1	\$210	\$350
A8	DWR1265H055	ELECTRONIC,HARNESS,INTERMEDIATE,OFFBOARD CHARGER,NE,H-1265-055	1	\$22.6	\$57.62
A9	SCRPPH1390	SCREW,PPH,BLACK ZINC,M5-.8 X 35MM	2	\$1.1	\$2.81
B1	DWR1062D078	SHROUD,BREAKER MOUNT,BLACK,MOLDED ABS,D-1062-078	1	\$1.35	\$3.44
C1	SCRPPH1036	SCREW,PPH,BLACK ZINC,M4-.7 X 8MM	2	\$1.1	\$2.81

Notes :

Applicable to Serial Number JB616611306020 and subsequent. Top-level assemblies will include components designated with corresponding lower-case letters. Parts without lower-case letters will be included in all top-level assemblies.

*A6 Not shown.



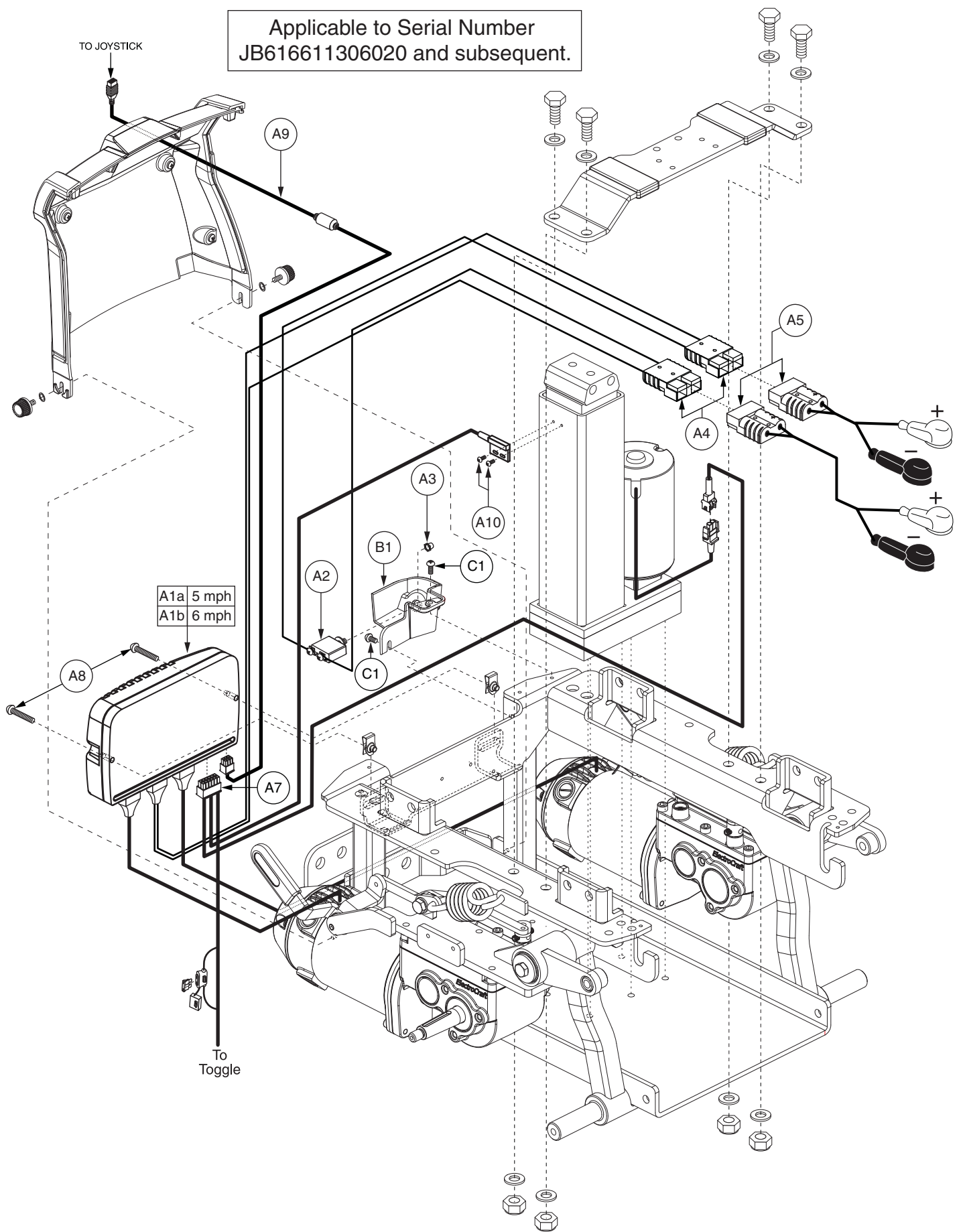
VII. Electronics Assembly — NE, Tilt thru Toggle

REF #	PART #	DESCRIPTION	QTY	Dealer \$	MSRP	11i
A1a	ELEASMB7050	CONTROLLER,NE,CURTIS,ASSY,75 AMP,W/G4,5 MPH,125 RPM PROGRAM,Q6 EDGE	1	\$192.63	\$491.2	
A1b	ELEASMB7080	CONTROLLER,NE,CURTIS,ASSY,75 AMP,W/G4,6 MPH,160 RPM PROGRAM,Q6 EDGE	1	\$192.63	\$491.2	
A2	ELEASMB1000	ELECTRONIC,ASSY,CIRCUIT BREAKER,50 AMP,COMPLETE,RIGHT ANGLE TERMINALS,PUSH TO RESET,H-1000-204	1	\$17.73	\$45.2	
A3	INDPART2148	COVER,12 X 1.25T,BREAKER BUTTON, W/NUT	1	\$2.21	\$5.63	
A4	DWR1062H001	ELECTRONIC,HARNESS,POWER CABLE,Q6EDGE,Q-LOGIC,H-1062-001	1	\$47.6	\$121.38	
A5	ELEASMB2868	ELECTRONIC,ASSY,BATTERY CABLE,GRAY,W/125A/32V FUSEABLE LINK,QUICK DISCONNECT,H-1500-013	2	\$64.75	\$165.1	
A6	SCRPPH1282	SCREW, PPH,BLACK,ZINC,M4 X 16MM,THREAD CUTTING	4	\$1.1	\$2.81	
A7	DWR1111H065	ELECTRONIC,HARNESS,BUS EXTENSION CABLE,CURTIS,0.410 METER,MALE/FEMALE,H-1111-065,(CURTIS: 17881303)	1	\$210	\$350	
A8	DWR1265H055	ELECTRONIC,HARNESS,INTERMEDIATE,OFFBOARD CHARGER,NE,H-1265-055	1	\$22.6	\$57.62	
A9	SCRPPH1390	SCREW,PPH,BLACK ZINC,M5-.8 X 35MM	2	\$1.1	\$2.81	
B1 - B2	FRMASMB16164	FRAME,ASSY,WIRE LOOM,Q6 EDGE	1	\$5.05	\$12.88	
B1	DWR1059E030	FRAME,WIRE LOOM,BLACK,PLASTIC,E-1059-030	1	N/A	N/A	
B2	SCRPPH1036	SCREW,PPH,BLACK ZINC,M4-.7 X 8MM	2	\$1.1	\$2.81	
C1	DWR1062D078	SHROUD,BREAKER MOUNT,BLACK,MOLDED ABS,D-1062-078	1	\$1.35	\$3.44	
D1	SCRPPH1036	SCREW,PPH,BLACK ZINC,M4-.7 X 8MM	2	\$1.1	\$2.81	

Notes :

Applicable to units manufactured prior to Serial Number JB616611306020.

Applicable to Serial Number
 JB616611306020 and subsequent.



VII. Electronics Assembly — NE, Power Seat thru Toggle

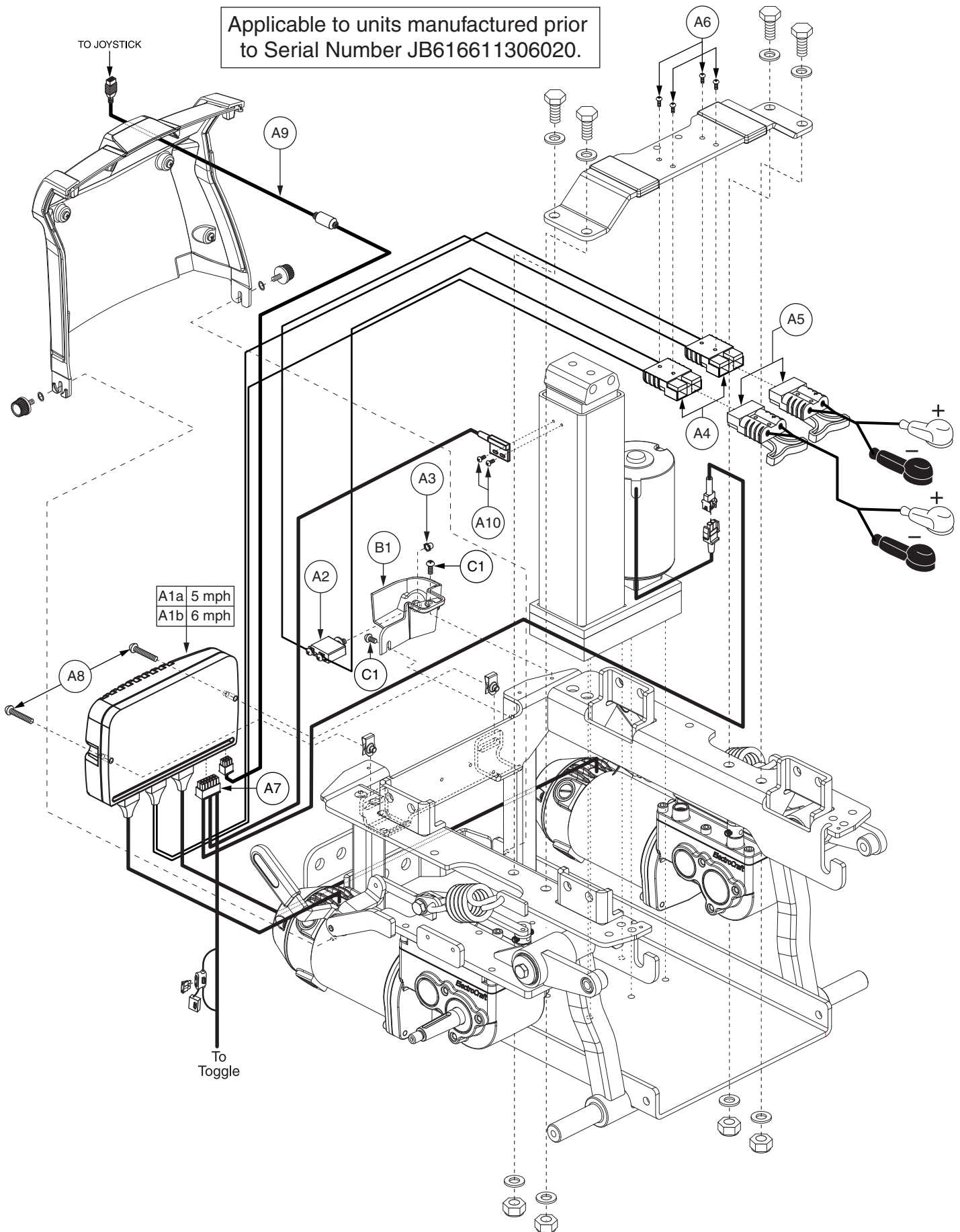
REF #	PART #	DESCRIPTION	QTY	Dealer \$	11i MSRP
A1a - A10	ELEASMB7088	ELECTRONIC,ASSY,NE,CURTIS,G4,5 MPH,125 RPM MOTORS,Q6 EDGE,POWERSEAT THRU TOGGLE	1	\$604.52	\$1541.53
A1a	ELEASMB7152	CONTROLLER,NE,CURTIS,ASSY,75 AMP,W/G4,5 MPH,125 RPM PROGRAM,Q6 EDGE,POWERSEAT THRU TOGGLE	1	\$192.63	\$491.2
A1b - A10	ELEASMB7125	ELECTRONIC,ASSY,NE,CURTIS,G4,6 MPH,160 RPM MOTORS,Q6 EDGE,POWERSEAT THRU TOGGLE	1	\$604.52	\$1541.53
A1b	ELEASMB7153	CONTROLLER,NE,CURTIS,ASSY,75 AMP,W/G4,6 MPH,160 RPM PROGRAM,Q6 EDGE,POWERSEAT THRU TOGGLE	1	\$192.63	\$491.2
A2	ELEASMB1000	ELECTRONIC,ASSY,CIRCUIT BREAKER,50 AMP,COMPLETE,RIGHT ANGLE TERMINALS,PUSH TO RESET,H-1000-204	1	\$17.73	\$45.2
A3	INDPART2148	COVER,12 X 1.25T,BREAKER BUTTON, W/NUT	1	\$2.21	\$5.63
A4	DWR1062H003	ELECTRONIC,HARNESS,POWER CABLE,Q6EDGE,Q-LOGIC,H-1062-003	1	\$50.91	\$129.82
A5	DWR1502H005	ELECTRONIC,ASSY,BATTERY CABLE,GRAY,W/125A/32V FUSEABLE LINK,QUICK DISCONNECT,H-1502-005	2	\$36.7	\$93.59
*A6	PLSTIE1004	TIE WRAP,BLACK,8"	5	\$1.1	\$2.81
A7	DWR1265H079	ELECTRONIC,HARNESS,POWERSEAT THRU TOGGLE INHIBIT,NE,CURTIS,H-1265-079	1	\$44.19	\$112.68
A8	SCRPPH1390	SCREW,PPH,BLACK ZINC,M5-.8 X 35MM	2	\$1.1	\$2.81
A9	DWR1111H065	ELECTRONIC,HARNESS,BUS EXTENSION CABLE,CURTIS,0.410 METER,MALE/FEMALE,H-1111-065,(CURTIS: 17881303)	1	\$210	\$350
A10	SCRPPH1290	SCREW,PPH,BLACK ZINC,4-40 X 0.25"	2	\$1.1	\$2.81
B1	DWR1062D078	SHROUD,BREAKER MOUNT,BLACK,MOLDED ABS,D-1062-078	1	\$1.35	\$3.44
C1	SCRPPH1036	SCREW,PPH,BLACK ZINC,M4-.7 X 8MM	2	\$1.1	\$2.81

Notes :

Applicable to Serial Number JB616611306020 and subsequent. Top-level assemblies will include components designated with corresponding lower-case letters. Parts without lower-case letters will be included in all top-level assemblies.

*A6 Not shown.

Applicable to units manufactured prior to Serial Number JB616611306020.

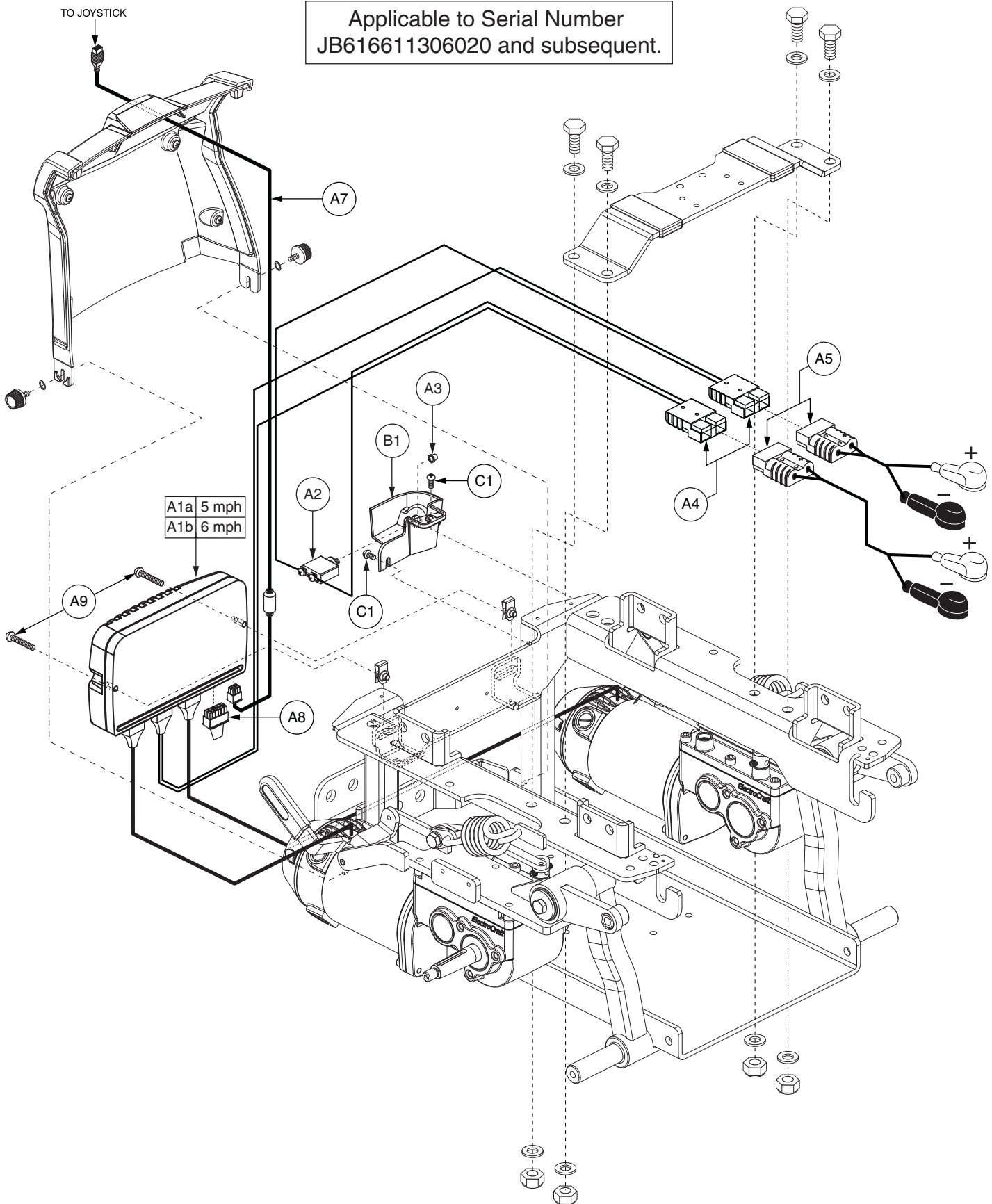


VII. Electronics Assembly — NE, Power Seat thru Toggle

REF #	PART #	DESCRIPTION	QTY	Dealer \$	MSRP	11i
A1a	ELEASMB7152	CONTROLLER,NE,CURTIS,ASSY,75 AMP,W/G4,5 MPH,125 RPM PROGRAM,Q6 EDGE,POWERSEAT THRU TOGGLE	1	\$192.63	\$491.2	
A1b	ELEASMB7153	CONTROLLER,NE,CURTIS,ASSY,75 AMP,W/G4,6 MPH,160 RPM PROGRAM,Q6 EDGE,POWERSEAT THRU TOGGLE	1	\$192.63	\$491.2	
A2	ELEASMB1000	ELECTRONIC,ASSY,CIRCUIT BREAKER,50 AMP,COMPLETE,RIGHT ANGLE TERMINALS,PUSH TO RESET,H-1000-204	1	\$17.73	\$45.2	
A3	INDPART2148	COVER,12 X 1.25T,BREAKER BUTTON, W/NUT	1	\$2.21	\$5.63	
A4	DWR1062H002	ELECTRONIC,HARNESS,POWER CABLE,POWER SEAT,Q6EDGE,Q-LOGIC,H-1062-002	1	\$49.37	\$125.91	
A5	ELEASMB2868	ELECTRONIC,ASSY,BATTERY CABLE,GRAY,W/125A/32V FUSEABLE LINK,QUICK DISCONNECT,H-1500-013	2	\$64.75	\$165.1	
A6	SCRPPH1282	SCREW, PPH,BLACK,ZINC,M4 X 16MM,THREAD CUTTING	4	\$1.1	\$2.81	
A7	DWR1265H079	ELECTRONIC,HARNESS,POWERSEAT THRU TOGGLE INHIBIT,NE,CURTIS,H-1265-079	1	\$44.19	\$112.68	
A8	SCRPPH1390	SCREW,PPH,BLACK ZINC,M5-.8 X 35MM	2	\$1.1	\$2.81	
A9	DWR1111H065	ELECTRONIC,HARNESS,BUS EXTENSION CABLE,CURTIS,0.410 METER,MALE/FEMALE,H-1111-065,(CURTIS: 17881303)	1	\$210	\$350	
A10	SCRPPH1290	SCREW,PPH,BLACK ZINC,4-40 X 0.25"	2	\$1.1	\$2.81	
B1	DWR1062D078	SHROUD,BREAKER MOUNT,BLACK,MOLDED ABS,D-1062-078	1	\$1.35	\$3.44	
C1	SCRPPH1036	SCREW,PPH,BLACK ZINC,M4-.7 X 8MM	2	\$1.1	\$2.81	

Notes :

Applicable to units manufactured prior to Serial Number JB616611306020.

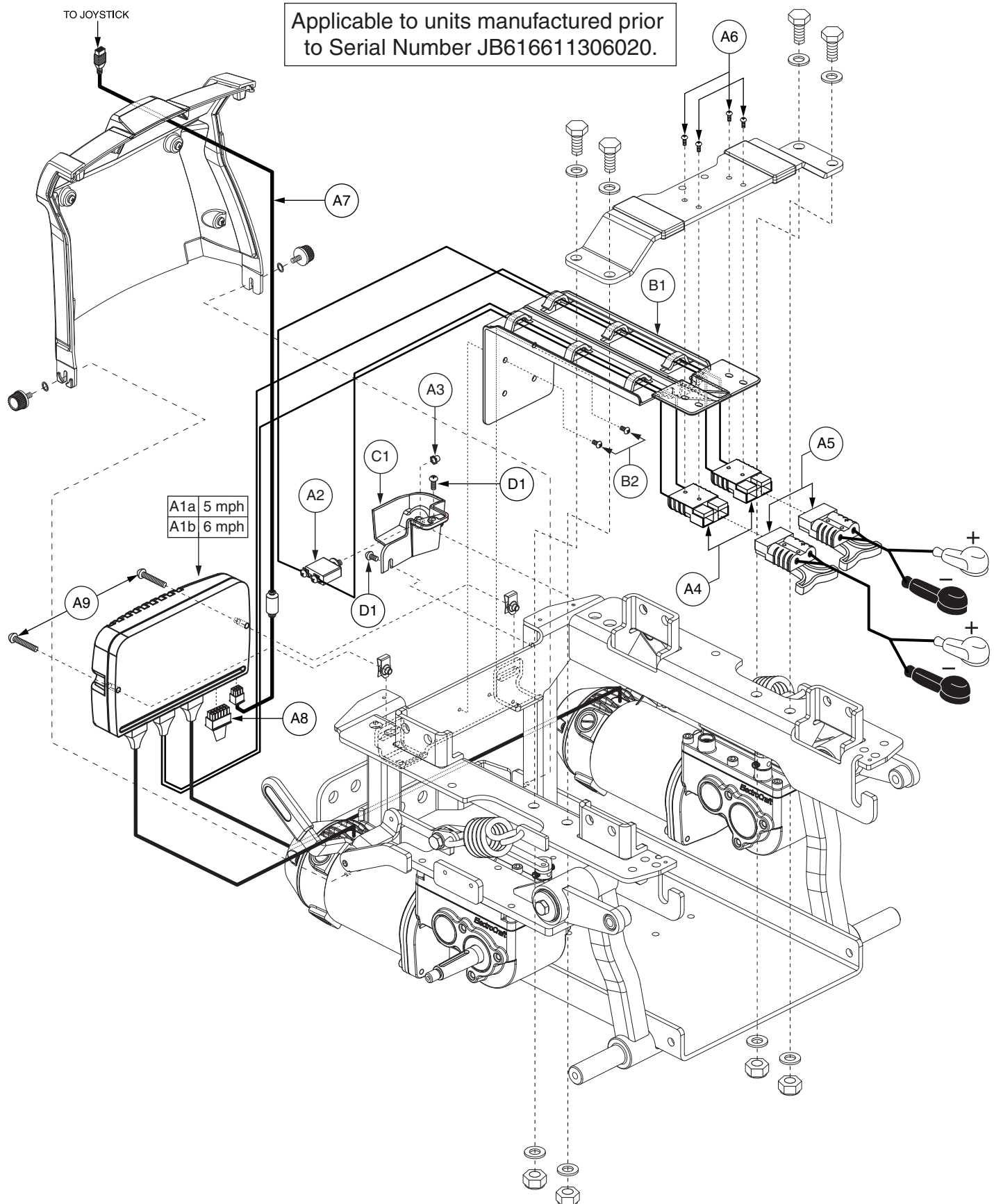


REF #	PART #	DESCRIPTION	QTY	Dealer \$	MSRP	11i
A1a - A9	ELEASMB7039	ELECTRONIC,ASSY,NE PLUS,CURTIS,G4,5 MPH,125 RPM MOTORS,Q6 EDGE	1	\$661.45	\$1686.7	
A1a	ELEASMB7048	CONTROLLER,NE PLUS,CURTIS,ASSY,75 AMP,W/G4,5 MPH,125 RPM PROGRAM,QUANTUM623	1	\$296.35	\$755.7	
A1b - A9	ELEASMB7071	ELECTRONIC,ASSY,NE PLUS,CURTIS,G4,6 MPH,160 RPM MOTORS,Q6 EDGE	1	\$661.45	\$1686.7	
A1b	ELEASMB7078	CONTROLLER,NE PLUS,CURTIS,ASSY,75 AMP,W/G4,6 MPH,160 RPM PROGRAM,QUANTUM623	1	\$296.35	\$755.7	
A2	ELEASMB1000	ELECTRONIC,ASSY,CIRCUIT BREAKER,50 AMP,COMPLETE,RIGHT ANGLE TERMINALS,PUSH TO RESET,H-1000-204	1	\$17.73	\$45.2	
A3	INDPART2148	COVER,12 X 1.25T,BREAKER BUTTON, W/NUT	1	\$2.21	\$5.63	
A4	DWR1062H003	ELECTRONIC,HARNESS,POWER CABLE,Q6EDGE,Q-LOGIC,H-1062-003	1	\$50.91	\$129.82	
A5	DWR1502H005	ELECTRONIC,ASSY,BATTERY CABLE,GRAY,W/125A/32V FUSEABLE LINK,QUICK DISCONNECT,H-1502-005	2	\$36.7	\$93.59	
*A6	PLSTIE1004	TIE WRAP,BLACK,8"	5	\$1.1	\$2.81	
A7	DWR1111H065	ELECTRONIC,HARNESS,BUS EXTENSION CABLE,CURTIS,0.410 METER,MALE/FEMALE,H-1111-065,(CURTIS: 17881303)	1	\$210	\$350	
A8	DWR1265H027	ELECTRONIC,HARNESS,RUN PLUG,Q-LOGIC,H-1265-027	1	\$3.15	\$8.03	
A9	SCRPPH1390	SCREW,PPH,BLACK ZINC,M5-.8 X 35MM	2	\$1.1	\$2.81	
B1	DWR1062D078	SHROUD,BREAKER MOUNT,BLACK,MOLDED ABS,D-1062-078	1	\$1.35	\$3.44	
C1	SCRPPH1036	SCREW,PPH,BLACK ZINC,M4-.7 X 8MM	2	\$1.1	\$2.81	

Notes :

Applicable to Serial Number JB616611306020 and subsequent. Top-level assemblies will include components designated with corresponding lower-case letters. Parts without lower-case letters will be included in all top-level assemblies.

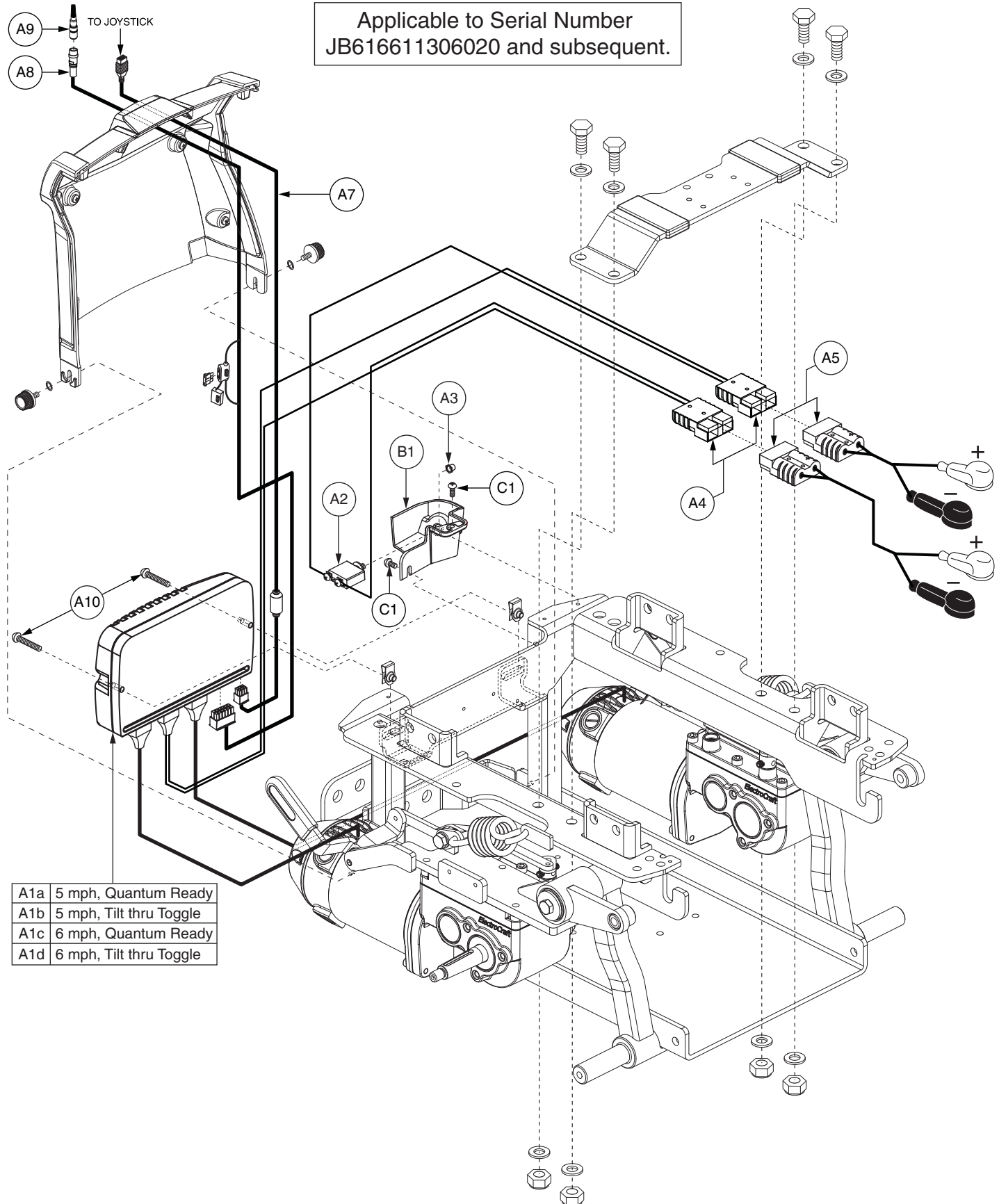
*A6 Not shown.



REF #	PART #	DESCRIPTION	QTY	Dealer \$	MSRP	11i
A1a	ELEASMB7048	CONTROLLER,NE PLUS,CURTIS,ASSY,75 AMP,W/G4,5 MPH,125 RPM PROGRAM,QUANTUM623	1	\$296.35	\$755.7	
A1b	ELEASMB7078	CONTROLLER,NE PLUS,CURTIS,ASSY,75 AMP,W/G4,6 MPH,160 RPM PROGRAM,QUANTUM623	1	\$296.35	\$755.7	
A2	ELEASMB1000	ELECTRONIC,ASSY,CIRCUIT BREAKER,50 AMP,COMPLETE,RIGHT ANGLE TERMINALS,PUSH TO RESET,H-1000-204	1	\$17.73	\$45.2	
A3	INDPART2148	COVER,12 X 1.25T,BREAKER BUTTON, W/NUT	1	\$2.21	\$5.63	
A4	DWR1062H001	ELECTRONIC,HARNESS,POWER CABLE,Q-LOGIC,CURTIS,QUANTUM623,H-1062-001	1	\$47.6	\$121.38	
A5	ELEASMB2868	ELECTRONIC,ASSY,BATTERY CABLE,GRAY,W/125A/32V FUSEABLE LINK,QUICK DISCONNECT,H-1500-013	2	\$64.75	\$165.1	
A6	SCRPPH1282	SCREW, PPH,BLACK,ZINC,M4 X 16MM,THREAD CUTTING	4	\$1.1	\$2.81	
A7	DWR1111H065	ELECTRONIC,HARNESS,BUS EXTENSION CABLE,CURTIS,0.410 METER,MALE/FEMALE,H-1111-065,(CURTIS: 17881303)	1	\$210	\$350	
A8	DWR1265H027	ELECTRONIC,HARNESS,RUN PLUG,Q-LOGIC,H-1265-027	1	\$3.15	\$8.03	
A9	SCRPPH1390	SCREW,PPH,BLACK ZINC,M5-.8 X 35MM	2	\$1.1	\$2.81	
B1 - B2	FRMASMB16164	FRAME,ASSY,WIRE LOOM,Q6 EDGE	1	\$5.05	\$12.88	
B1	DWR1059E030	FRAME,WIRE LOOM,BLACK,PLASTIC,E-1059-030	1	N/A	N/A	
B2	SCRPPH1036	SCREW,PPH,BLACK ZINC,M4-.7 X 8MM	2	\$1.1	\$2.81	
C1	DWR1062D078	SHROUD,BREAKER MOUNT,BLACK,MOLDED ABS,D-1062-078	1	\$1.35	\$3.44	
D1	SCRPPH1036	SCREW,PPH,BLACK ZINC,M4-.7 X 8MM	2	\$1.1	\$2.81	

Notes :

Applicable to units manufactured prior to Serial Number JB616611306020.



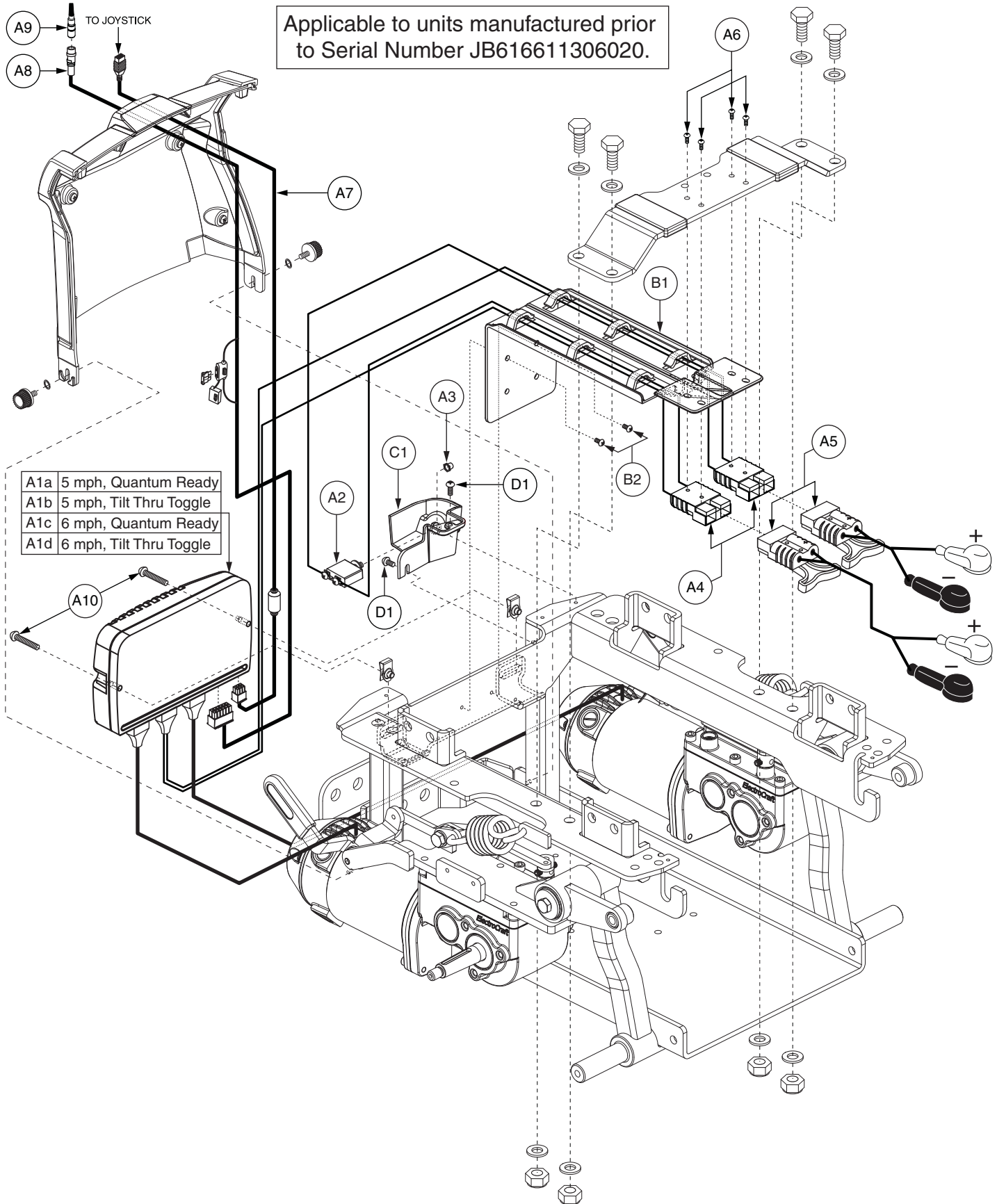
A1a	5 mph, Quantum Ready
A1b	5 mph, Tilt thru Toggle
A1c	6 mph, Quantum Ready
A1d	6 mph, Tilt thru Toggle

REF #	PART #	DESCRIPTION	QTY	Dealer \$	MSRP	11i
A1a - A10	ELEASMB7041	ELECTRONIC,ASSY,NE PLUS,CURTIS,G4,5 MPH,125 RPM MOTORS,Q6 EDGE,QUANTUM	1	\$682.32	\$1739.92	
A1a	ELEASMB7049	CONTROLLER,NE PLUS,CURTIS,ASSY,75 AMP,W/G4,5 MPH,125 RPM PROGRAM,QUANTUM623,QUANTUM	1	\$296.35	\$755.7	
A1b - A10	ELEASMB7040	ELECTRONIC,ASSY,NE PLUS,CURTIS,G4,5 MPH,125 RPM MOTORS,Q6 EDGE,TILT THRU TOGGLE	1	\$682.32	\$1739.92	
A1b	ELEASMB7048	CONTROLLER,NE PLUS,CURTIS,ASSY,75 AMP,W/G4,5 MPH,125 RPM PROGRAM,QUANTUM623	1	\$296.35	\$755.7	
A1c - A10	ELEASMB7073	ELECTRONIC,ASSY,NE PLUS,CURTIS,G4,6 MPH,160 RPM MOTORS,Q6 EDGE,QUANTUM	1	\$682.32	\$1739.92	
A1c	ELEASMB7079	CONTROLLER,NE PLUS,CURTIS,ASSY,75 AMP,W/G4,6 MPH,160 RPM PROGRAM,QUANTUM623,QUANTUM	1	\$296.35	\$755.7	
A1d - A10	ELEASMB7072	ELECTRONIC,ASSY,NE PLUS,CURTIS,G4,6 MPH,160 RPM MOTORS,Q6 EDGE,TILT THRU TOGGLE	1	\$682.32	\$1739.92	
A1d	ELEASMB7078	CONTROLLER,NE PLUS,CURTIS,ASSY,75 AMP,W/G4,6 MPH,160 RPM PROGRAM,QUANTUM623	1	\$296.35	\$755.7	
A2	ELEASMB1000	ELECTRONIC,ASSY,CIRCUIT BREAKER,50 AMP,COMPLETE,RIGHT ANGLE TERMINALS,PUSH TO RESET,H-1000-204	1	\$17.73	\$45.2	
A3	INDPART2148	COVER,12 X 1.25T,BREAKER BUTTON, W/NUT	1	\$2.21	\$5.63	
A4	DWR1062H003	ELECTRONIC,HARNESS,POWER CABLE,Q6EDGE,Q-LOGIC,H-1062-003	1	\$50.91	\$129.82	
A5	DWR1502H005	ELECTRONIC,ASSY,BATTERY CABLE,GRAY,W/125A/32V FUSEABLE LINK,QUICK DISCONNECT,H-1502-005	2	\$36.7	\$93.59	
*A6	PLSTIE1004	TIE WRAP,BLACK,8"	5	\$1.1	\$2.81	
A7	DWR1111H065	ELECTRONIC,HARNESS,BUS EXTENSION CABLE,CURTIS,0.410 METER,MALE/FEMALE,H-1111-065,(CURTIS: 17881303)	1	\$210	\$350	
A8	DWR1265H021	ELECTRONIC,HARNESS,POWER TAKE OFF(PTO)/INHIBIT,CURTIS,H-1265-021	1	\$15.56	\$39.68	
A9	DWR1361H038	ELECTRONIC,HARNESS,RUN PLUG,SURE SEAL,SYNERGY TILT,H-1361-038	1	\$8.46	\$21.58	
A10	SCRPPH1390	SCREW,PPH,BLACK ZINC,M5-.8 X 35MM	2	\$1.1	\$2.81	
B1	DWR1062D078	SHROUD,BREAKER MOUNT,BLACK,MOLDED ABS,D-1062-078	1	\$1.35	\$3.44	
C1	SCRPPH1036	SCREW,PPH,BLACK ZINC,M4-.7 X 8MM	2	\$1.1	\$2.81	

Notes :

Applicable to Serial Number JB616611306020 and subsequent. Top-level assemblies will include components designated with corresponding lower-case letters. Parts without lower-case letters will be included in all top-level assemblies.

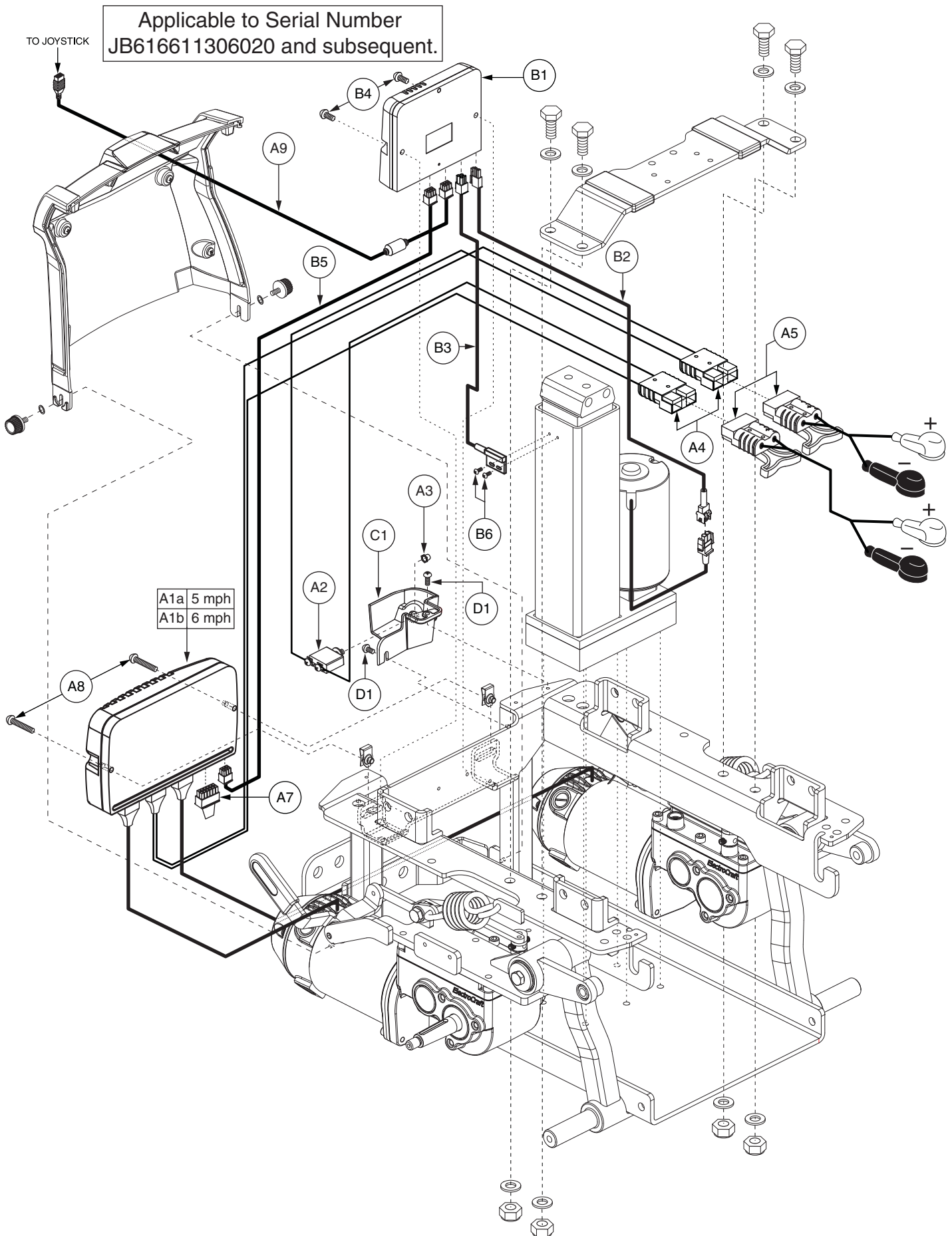
*A6 Not shown.



REF #	PART #	DESCRIPTION	QTY	Dealer \$	MSRP	11i
A1a	ELEASMB7049	CONTROLLER,NE PLUS,CURTIS,ASSY,75 AMP,W/G4,5 MPH,125 RPM PROGRAM,QUANTUM623,QUANTUM	1	\$296.35	\$755.7	
A1b	ELEASMB7048	CONTROLLER,NE PLUS,CURTIS,ASSY,75 AMP,W/G4,5 MPH,125 RPM PROGRAM,QUANTUM623	1	\$296.35	\$755.7	
A1c	ELEASMB7079	CONTROLLER,NE PLUS,CURTIS,ASSY,75 AMP,W/G4,6 MPH,160 RPM PROGRAM,QUANTUM623,QUANTUM	1	\$296.35	\$755.7	
A1d	ELEASMB7078	CONTROLLER,NE PLUS,CURTIS,ASSY,75 AMP,W/G4,6 MPH,160 RPM PROGRAM,QUANTUM623	1	\$296.35	\$755.7	
A2	ELEASMB1000	ELECTRONIC,ASSY,CIRCUIT BREAKER,50 AMP,COMPLETE,RIGHT ANGLE TERMINALS,PUSH TO RESET,H-1000-204	1	\$17.73	\$45.2	
A3	INDPART2148	COVER,12 X 1.25T,BREAKER BUTTON, W/NUT	1	\$2.21	\$5.63	
A4	DWR1062H001	ELECTRONIC,HARNESS,POWER CABLE,Q-LOGIC,CURTIS,QUANTUM623,H-1062-001	1	\$47.6	\$121.38	
A5	ELEASMB2868	ELECTRONIC,ASSY,BATTERY CABLE,GRAY,W/125A/32V FUSEABLE LINK,QUICK DISCONNECT,H-1500-013	2	\$64.75	\$165.1	
A6	SCRPPH1282	SCREW, PPH,BLACK,ZINC,M4 X 16MM,THREAD CUTTING	4	\$1.1	\$2.81	
A7	DWR1111H065	ELECTRONIC,HARNESS,BUS EXTENSION CABLE,CURTIS,0.410 METER,MALE/FEMALE,H-1111-065,(CURTIS: 17881303)	1	\$210	\$350	
A8	DWR1265H021	ELECTRONIC,HARNESS,POWER TAKE OFF(PTO)/INHIBIT,CURTIS,H-1265-021	1	\$15.56	\$39.68	
A9	DWR1361H038	ELECTRONIC,HARNESS,RUN PLUG,SURE SEAL,SYNERGY TILT,H-1361-038	1	\$8.46	\$21.58	
A10	SCRPPH1390	SCREW,PPH,BLACK ZINC,M5-.8 X 35MM	2	\$1.1	\$2.81	
B1 - B2	FRMASMB16164	FRAME,ASSY,WIRE LOOM,Q6 EDGE	1	\$5.05	\$12.88	
B1	DWR1059E030	FRAME,WIRE LOOM,BLACK,PLASTIC,E-1059-030	1	N/A	N/A	
B2	SCRPPH1036	SCREW,PPH,BLACK ZINC,M4-.7 X 8MM	2	\$1.1	\$2.81	
C1	DWR1062D078	SHROUD,BREAKER MOUNT,BLACK,MOLDED ABS,D-1062-078	1	\$1.35	\$3.44	
D1	SCRPPH1036	SCREW,PPH,BLACK ZINC,M4-.7 X 8MM	2	\$1.1	\$2.81	

Notes :

Applicable to units manufactured prior to Serial Number JB616611306020.



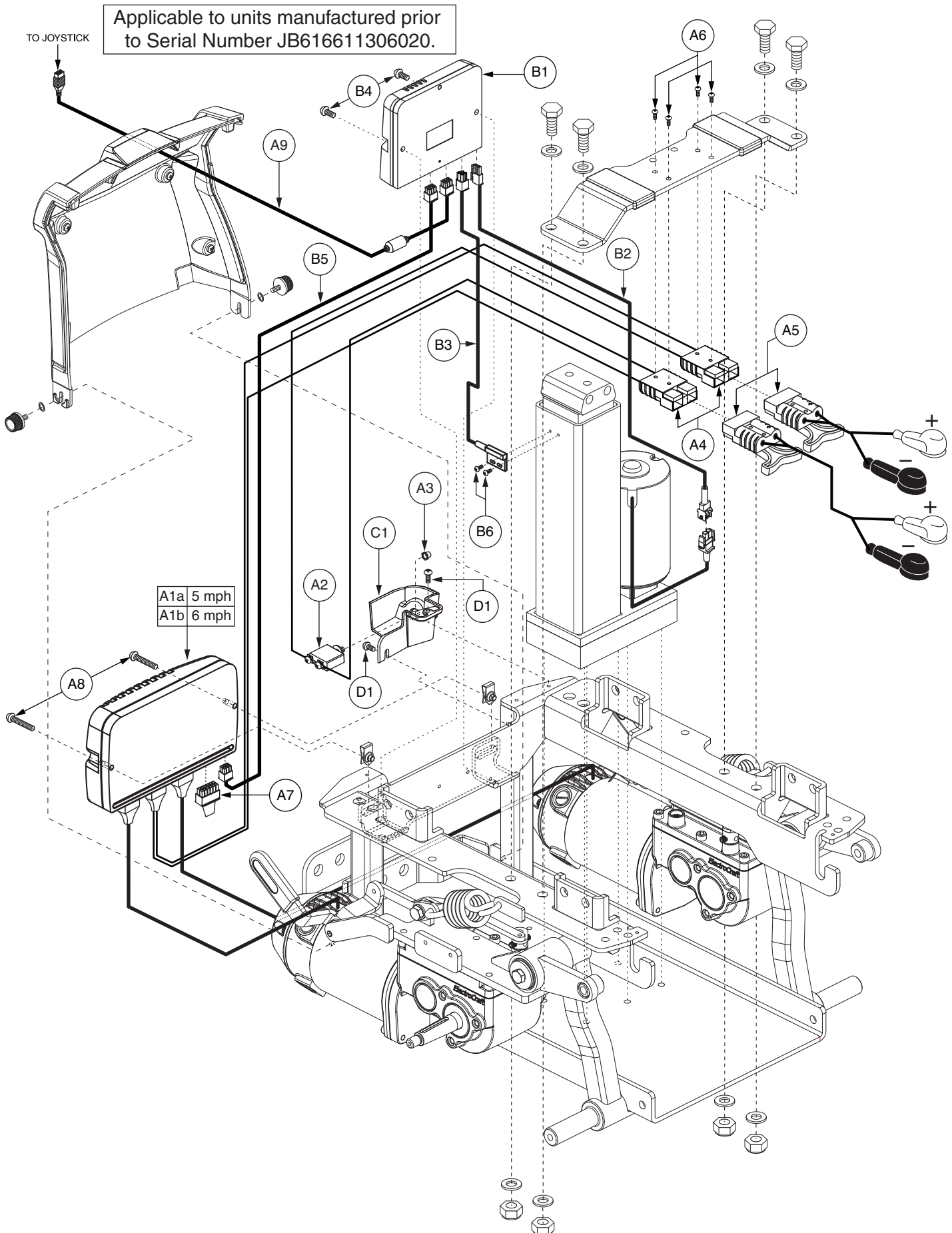
VII. Electronics Assembly — NE+, Power Seat thru Joystick

REF #	PART #	DESCRIPTION	QTY	Dealer \$	11i MSRP
A1a - B6	ELEASMB7087	ELECTRONIC,ASSY,NE PLUS,CURTIS,G4,5 MPH,125 RPM MOTORS,Q6 EDGE,POWERSEAT THRU JOYSTICK	1	\$933.8	\$2381.19
A1a	ELEASMB7049	CONTROLLER,NE PLUS,CURTIS,ASSY,75 AMP,W/G4,5 MPH,125 RPM PROGRAM,QUANTUM623,QUANTUM	1	\$296.35	\$755.7
A1b - B6	ELEASMB7123	ELECTRONIC,ASSY,NE PLUS,CURTIS,G4,6 MPH,160 RPM MOTORS,Q6 EDGE,POWERSEAT THRU JOYSTICK	1	\$933.8	\$2381.19
A1b	ELEASMB7079	CONTROLLER,NE PLUS,CURTIS,ASSY,75 AMP,W/G4,6 MPH,160 RPM PROGRAM,QUANTUM623,QUANTUM	1	\$296.35	\$755.7
A2	ELEASMB1000	ELECTRONIC,ASSY,CIRCUIT BREAKER,50 AMP,COMPLETE,RIGHT ANGLE TERMINALS,PUSH TO RESET,H-1000-204	1	\$17.73	\$45.2
A3	INDPART2148	COVER,12 X 1.25T,BREAKER BUTTON, W/NUT	1	\$2.21	\$5.63
A4	DWR1062H003	ELECTRONIC,HARNESS,POWER CABLE,Q6EDGE,Q-LOGIC,H-1062-003	1	\$50.91	\$129.82
A5	DWR1502H005	ELECTRONIC,ASSY,BATTERY CABLE,GRAY,W/125A/32V FUSEABLE LINK,QUICK DISCONNECT,H-1502-005	2	\$36.7	\$93.59
*A6	PLSTIE1004	TIE WRAP,BLACK,8"	5	\$1.1	\$2.81
A7	DWR1265H027	ELECTRONIC,HARNESS,RUN PLUG,Q-LOGIC,H-1265-027	1	\$3.15	\$8.03
A8	SCRPPH1390	SCREW,PPH,BLACK ZINC,M5-.8 X 35MM	2	\$1.1	\$2.81
A9	DWR1111H065	ELECTRONIC,HARNESS,BUS EXTENSION CABLE,CURTIS,0.410 METER,MALE/FEMALE,H-1111-065,(CURTIS: 17881303)	1	\$210	\$350
B1 - B6	ELEASMB7092	ELECTRONIC,ASSY,ACTUATOR MODULE & MOUNTING HARDWARE,QUANTUM623,POWERSEAT THRU JOYSTICK	1	\$272.35	\$694.49
B1	ELEASMB6557	ELECTRONIC,ASSY,AM1 MODULE,W/ PROGRAMMING,TRU-BALANCE,ELEVATE(CONFIGURATION # 04)	1	\$211.54	\$539.44
B2	DWR1265H017	ELECTRONIC,HARNESS,POWER SEAT,TRU-BALANCE TILT 2,H-1265-017	1	\$7.65	\$19.5
B3	DWR1265H016	ELECTRONIC,HARNESS,POWER SEAT INHIBIT,CURTIS,TRU-BALANCE TILT 2,H-1265-016	1	\$20.48	\$52.23
B4	SCRPPH1153	SCREW,PPH,BLACK ZINC,M4-.7 X 20MM	2	\$1.1	\$2.81
B5	DWR1111H311	ELECTRONIC,HARNESS,BUS EXTENSION CABLE,AAM/LM,H-1111-311,(CURTIS: 17881302-02)	1	\$28.31	\$72.2
B6	SCRPPH1290	SCREW,PPH,BLACK ZINC,4-40 X 0.25"	2	\$1.1	\$2.81
C1	DWR1062D078	SHROUD,BREAKER MOUNT,BLACK,MOLDED ABS,D-1062-078	1	\$1.35	\$3.44
D1	SCRPPH1036	SCREW,PPH,BLACK ZINC,M4-.7 X 8MM	2	\$1.1	\$2.81

Notes :

Applicable to Serial Number JB616611306020 and subsequent. Top-level assemblies will include components designated with corresponding lower-case letters. Parts without lower-case letters will be included in all top-level assemblies.

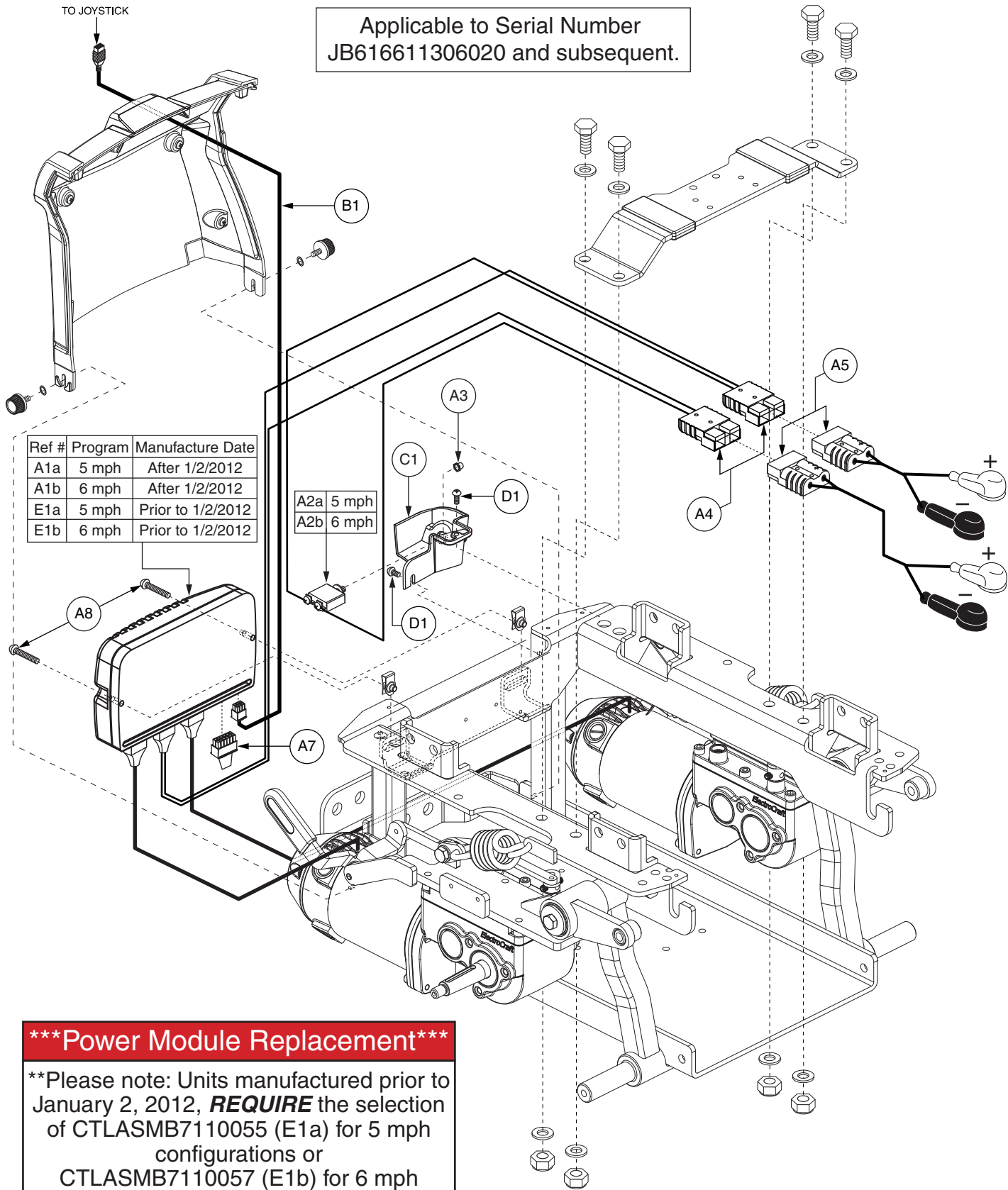
*A6 Not shown.



REF #	PART #	DESCRIPTION	QTY	Dealer \$	MSRP	11i
A1a	ELEASMB7049	CONTROLLER,NE PLUS,CURTIS,ASSY,75 AMP,W/G4,5 MPH,125 RPM PROGRAM,QUANTUM623,QUANTUM	1	\$296.35	\$755.7	
A1b	ELEASMB7079	CONTROLLER,NE PLUS,CURTIS,ASSY,75 AMP,W/G4,6 MPH,160 RPM PROGRAM,QUANTUM623,QUANTUM	1	\$296.35	\$755.7	
A2	ELEASMB1000	ELECTRONIC,ASSY,CIRCUIT BREAKER,50 AMP,COMPLETE,RIGHT ANGLE TERMINALS,PUSH TO RESET,H-1000-204	1	\$17.73	\$45.2	
A3	INDPART2148	COVER,12 X 1.25T,BREAKER BUTTON, W/NUT	1	\$2.21	\$5.63	
A4	DWR1062H002	ELECTRONIC,HARNESS,POWER CABLE,POWER SEAT,Q6EDGE,Q-LOGIC,H-1062-002	1	\$49.37	\$125.91	
A5	ELEASMB2868	ELECTRONIC,ASSY,BATTERY CABLE,GRAY,W/125A/32V FUSEABLE LINK,QUICK DISCONNECT,H-1500-013	2	\$64.75	\$165.1	
A6	SCRPPH1282	SCREW, PPH,BLACK,ZINC,M4 X 16MM,THREAD CUTTING	4	\$1.1	\$2.81	
A7	DWR1265H027	ELECTRONIC,HARNESS,RUN PLUG,Q-LOGIC,H-1265-027	1	\$3.15	\$8.03	
A8	SCRPPH1390	SCREW,PPH,BLACK ZINC,M5-.8 X 35MM	2	\$1.1	\$2.81	
A9	DWR1111H065	ELECTRONIC,HARNESS,BUS EXTENSION CABLE,CURTIS,0.410 METER,MALE/FEMALE,H-1111-065,(CURTIS: 17881303)	1	\$210	\$350	
B1 - B6	ELEASMB7092	ELECTRONIC,ASSY,ACTUATOR MODULE & MOUNTING HARDWARE,QUANTUM623,POWERSEAT THRU JOYSTICK	1	\$272.35	\$694.49	
B1	ELEASMB6557	ELECTRONIC,ASSY,AM1 MODULE,W/ PROGRAMMING,TRU-BALANCE,ELEVATE(CONFIGURATION # 04)	1	\$211.54	\$539.44	
B2	DWR1265H017	ELECTRONIC,HARNESS,POWER SEAT,TRU-BALANCE TILT 2,H-1265-017	1	\$7.65	\$19.5	
B3	DWR1265H016	ELECTRONIC,HARNESS,POWER SEAT INHIBIT,CURTIS,TRU-BALANCE TILT 2,H-1265-016	1	\$20.48	\$52.23	
B4	SCRPPH1153	SCREW,PPH,BLACK ZINC,M4-.7 X 20MM	2	\$1.1	\$2.81	
B5	DWR1111H311	ELECTRONIC,HARNESS,BUS EXTENSION CABLE,AAM/LM,H-1111-311,(CURTIS: 17881302-02)	1	\$28.31	\$72.2	
B6	SCRPPH1290	SCREW,PPH,BLACK ZINC,4-40 X 0.25"	2	\$1.1	\$2.81	
C1	DWR1062D078	SHROUD,BREAKER MOUNT,BLACK,MOLDED ABS,D-1062-078	1	\$1.35	\$3.44	
D1	SCRPPH1036	SCREW,PPH,BLACK ZINC,M4-.7 X 8MM	2	\$1.1	\$2.81	

Notes :

Applicable to units manufactured prior to Serial Number JB616611306020.



Applicable to Serial Number
 JB616611306020 and subsequent.

Ref #	Program	Manufacture Date
A1a	5 mph	After 1/2/2012
A1b	6 mph	After 1/2/2012
E1a	5 mph	Prior to 1/2/2012
E1b	6 mph	Prior to 1/2/2012

A2a	5 mph
A2b	6 mph

*****Power Module Replacement*****

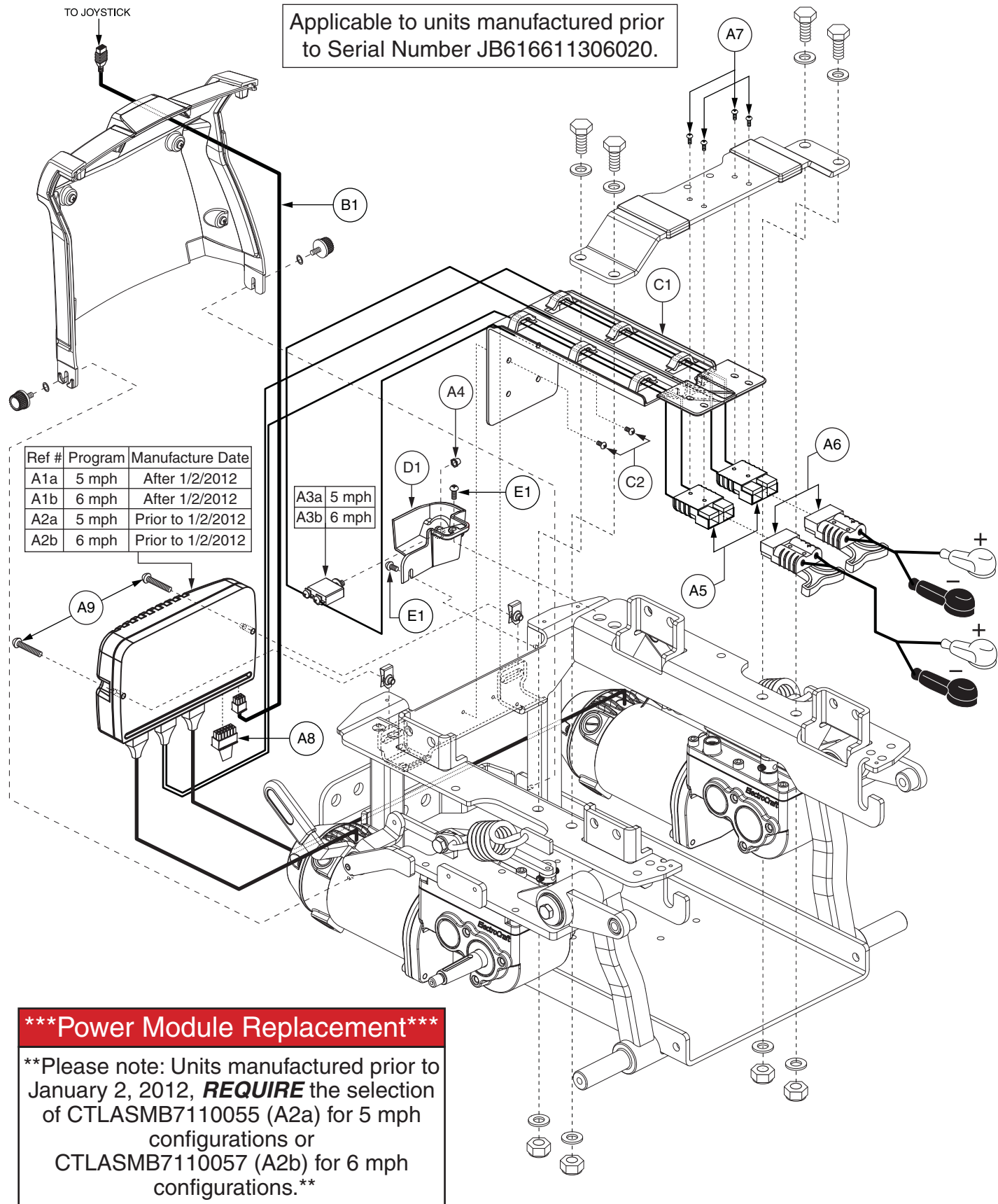
Please note: Units manufactured prior to January 2, 2012, **REQUIRE the selection of CTLASMB7110055 (E1a) for 5 mph configurations or CTLASMB7110057 (E1b) for 6 mph configurations.**

REF #	PART #	DESCRIPTION	QTY	Dealer \$	11i MSRP
A1a - A8	ELEASMB7034	ELECTRONIC,ASSY,Q-LOGIC,CURTIS,G4,5 MPH,125 RPM MOTORS,Q6 EDGE	1	\$631.38	\$1610.02
A1a	ELEASMB7044	CONTROLLER,Q-LOGIC,CURTIS,ASSY,75 AMP,W/G4,5 MPH,125 RPM PROGRAM,Q6 EDGE	1	\$476.28	\$1214.51
A1b - A8	ELEASMB7068	ELECTRONIC,ASSY,Q-LOGIC,CURTIS,G4,6 MPH,160 RPM MOTORS,Q6 EDGE	1	\$631.38	\$1610.02
A1b	ELEASMB7076	CONTROLLER,Q-LOGIC,CURTIS,ASSY,90 AMP,W/G4,6 MPH,160 RPM PROGRAM,Q6 EDGE	1	\$476.28	\$1214.51
A2a	ELEASMB1000	ELECTRONIC,ASSY,CIRCUIT BREAKER,50 AMP,COMPLETE,RIGHT ANGLE TERMINALS,PUSH TO RESET,(MP: 1648-082-050-0F0)	1	\$17.73	\$45.2
A2b	ELEASMB1188	ELECTRONIC,ASSY,CIRCUIT BREAKER,70 AMP	1	\$17.73	\$45.2
A3	INDPART2148	COVER,12 X 1.25T,BREAKER BUTTON, W/NUT	1	\$2.21	\$5.63
A4	DWR1062H003	ELECTRONIC,HARNESS,POWER CABLE,Q6EDGE,Q-LOGIC,H-1062-003	1	\$50.91	\$129.82
A5	DWR1502H005	ELECTRONIC,ASSY,BATTERY CABLE,GRAY,W/125A/32V FUSEABLE LINK,QUICK DISCONNECT,H-1502-005	2	\$36.7	\$93.59
*A6	PLSTIE1004	TIE WRAP,BLACK,8"	5	\$1.1	\$2.81
A7	DWR1265H027	ELECTRONIC,HARNESS,RUN PLUG,Q-LOGIC,H-1265-027	1	\$3.15	\$8.03
A8	SCRPPH1390	SCREW,PPH,BLACK ZINC,M5-.8 X 35MM	2	\$1.1	\$2.81
B1	DWR1111H065	ELECTRONIC,HARNESS,BUS EXTENSION CABLE,CURTIS,0.410 METER,MALE/FEMALE,H-1111-065,(CURTIS: 17881303)	1	\$210	\$350
C1	DWR1062D078	SHROUD,BREAKER MOUNT,BLACK,MOLDED ABS,D-1062-078	1	\$1.35	\$3.44
D1	SCRPPH1036	SCREW,PPH,BLACK ZINC,M4-.7 X 8MM	2	\$1.1	\$2.81
E1a	CTLASMB7110055	CONTROLLER,Q-LOGIC (FW 2.73),CURTIS,ASSY,75 AMP,W/G4,5 MPH,125 RPM PROGRAM,Q6 EDGE	1	\$476.28	\$1214.51
E1b	CTLASMB7110057	CONTROLLER,Q-LOGIC (FW 2.73),CURTIS,ASSY,90 AMP,W/G4,6 MPH,160 RPM PROGRAM,Q6 EDGE	1	\$476.28	\$1214.51

Notes :

Applicable to Serial Number JB616611306020 and subsequent. Top-level assemblies will include components designated with corresponding lower-case letters. Parts without lower-case letters will be included in all top-level assemblies.

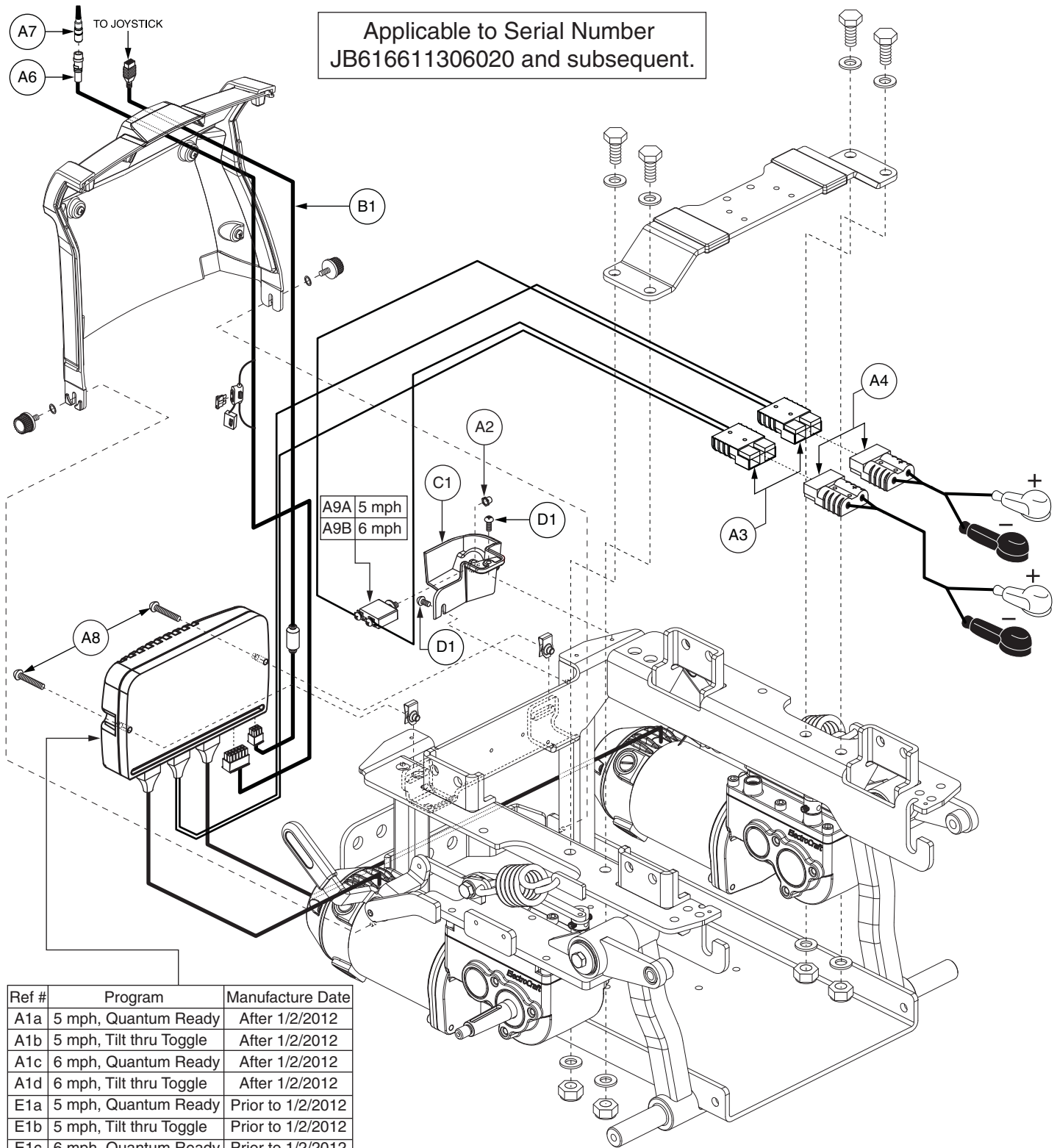
*A6 Not shown.



REF #	PART #	DESCRIPTION	QTY	Dealer \$	11i MSRP
A1a	ELEASMB7044	CONTROLLER,Q-LOGIC,CURTIS,ASSY,75 AMP,W/G4,5 MPH,125 RPM PROGRAM,Q6 EDGE	1	\$476.28	\$1214.51
A1b	ELEASMB7076	CONTROLLER,Q-LOGIC,CURTIS,ASSY,90 AMP,W/G4,6 MPH,160 RPM PROGRAM,Q6 EDGE	1	\$476.28	\$1214.51
A2a	CTLASMB7110055	CONTROLLER,Q-LOGIC (FW 2.73),CURTIS,ASSY,75 AMP,W/G4,5 MPH,125 RPM PROGRAM,Q6 EDGE	1	\$476.28	\$1214.51
A2b	CTLASMB7110057	CONTROLLER,Q-LOGIC (FW 2.73),CURTIS,ASSY,90 AMP,W/G4,6 MPH,160 RPM PROGRAM,Q6 EDGE	1	\$476.28	\$1214.51
A3a	ELEASMB1000	ELECTRONIC,ASSY,CIRCUIT BREAKER,50 AMP,COMPLETE,RIGHT ANGLE TERMINALS,PUSH TO RESET,(MP: 1648-082-050-0F0)	1	\$17.73	\$45.2
A3b	ELEASMB1188	ELECTRONIC,ASSY,CIRCUIT BREAKER,70 AMP	1	\$17.73	\$45.2
A4	INDPART2148	COVER,12 X 1.25T,BREAKER BUTTON, W/NUT	1	\$2.21	\$5.63
A5	DWR1062H001	ELECTRONIC,HARNESS,POWER CABLE,Q6EDGE,Q-LOGIC,H-1062-001	1	\$47.6	\$121.38
A6	ELEASMB2868	ELECTRONIC,ASSY,BATTERY CABLE,GRAY,W/125A/32V FUSEABLE LINK,QUICK DISCONNECT,H-1500-013	2	\$64.75	\$165.1
A7	SCRPPH1282	SCREW, PPH,BLACK,ZINC,M4 X 16MM,THREAD CUTTING	4	\$1.1	\$2.81
A8	DWR1265H027	ELECTRONIC,HARNESS,RUN PLUG,Q-LOGIC,H-1265-027	1	\$3.15	\$8.03
A9	SCRPPH1390	SCREW,PPH,BLACK ZINC,M5-.8 X 35MM	2	\$1.1	\$2.81
B1	DWR1111H065	ELECTRONIC,HARNESS,BUS EXTENSION CABLE,CURTIS,0.410 METER,MALE/FEMALE,H-1111-065,(CURTIS: 17881303)	1	\$210	\$350
C1 - C2	FRMASMB16164	FRAME,ASSY,WIRE LOOM,Q6 EDGE	1	\$5.05	\$12.88
C1	DWR1059E030	FRAME,WIRE LOOM,BLACK,PLASTIC,E-1059-030	1	N/A	N/A
C2	SCRPPH1036	SCREW,PPH,BLACK ZINC,M4-.7 X 8MM	2	\$1.1	\$2.81
D1	DWR1062D078	SHROUD,BREAKER MOUNT,BLACK,MOLDED ABS,D-1062-078	1	\$1.35	\$3.44
E1	SCRPPH1036	SCREW,PPH,BLACK ZINC,M4-.7 X 8MM	2	\$1.1	\$2.81

Notes :

Applicable to units manufactured prior to Serial Number JB616611306020.



Ref #	Program	Manufacture Date
A1a	5 mph, Quantum Ready	After 1/2/2012
A1b	5 mph, Tilt thru Toggle	After 1/2/2012
A1c	6 mph, Quantum Ready	After 1/2/2012
A1d	6 mph, Tilt thru Toggle	After 1/2/2012
E1a	5 mph, Quantum Ready	Prior to 1/2/2012
E1b	5 mph, Tilt thru Toggle	Prior to 1/2/2012
E1c	6 mph, Quantum Ready	Prior to 1/2/2012
E1d	6 mph, Tilt thru Toggle	Prior to 1/2/2012

*****Power Module Replacement*****

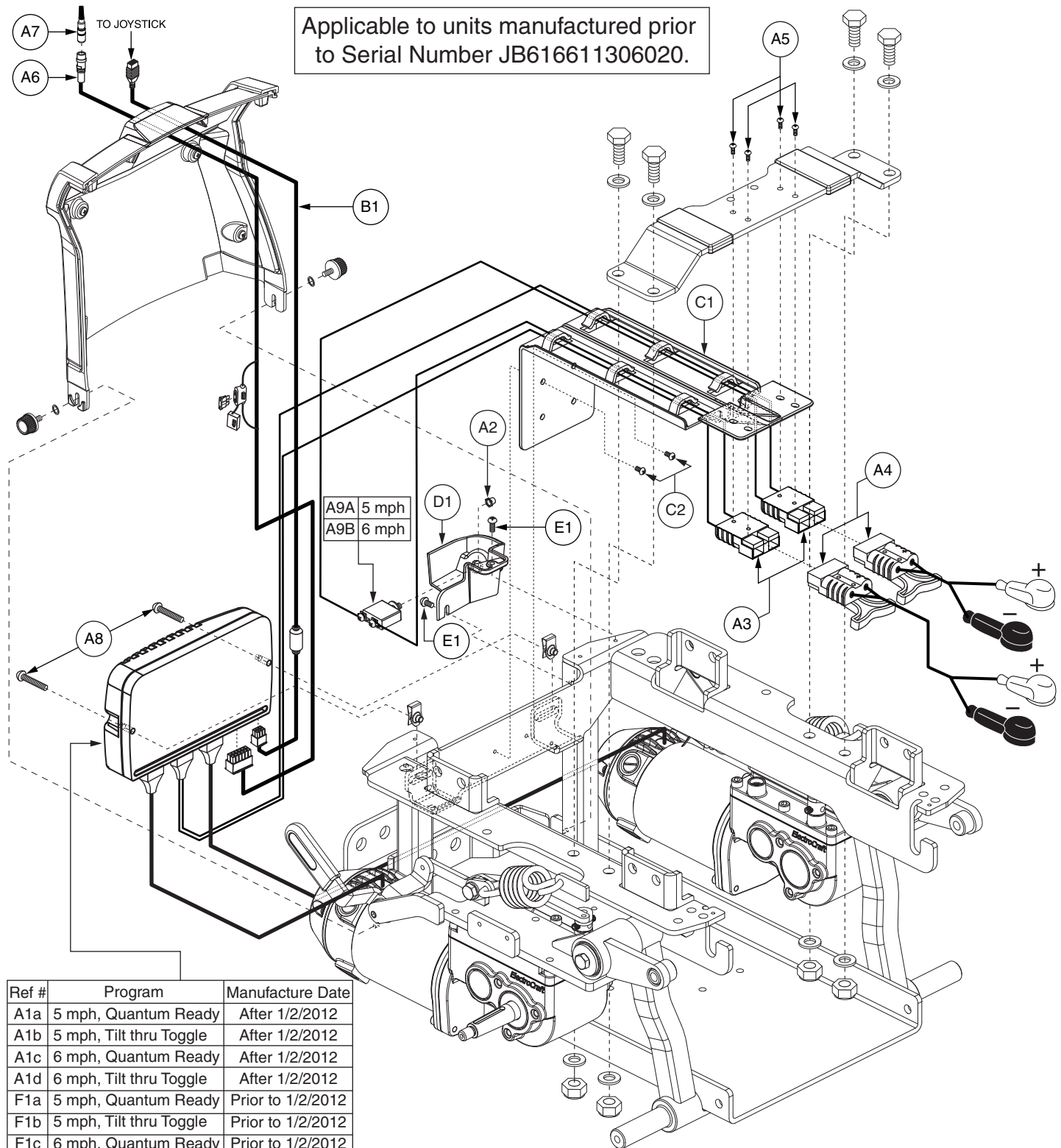
****Please note: Units manufactured prior to January 2, 2012, *REQUIRE* the selection of CTLASMB7110056 (E1a) for 5 mph Quantum Ready, or CTLASMB7110055 (E1b) for 5mph Tilt thru Toggle, or CTLASMB7110058 (E1c) for 6 mph Quantum Ready, or CTLASMB7110057 (E1d) for 6 mph Tilt thru Toggle.****

REF #	PART #	DESCRIPTION	QTY	Dealer \$	MSRP	11i
A1a - A9A	ELEASMB7036	ELECTRONIC,ASSY,Q-LOGIC,CURTIS,G4,5 MPH,125 RPM MOTORS,Q6 EDGE,QUANTUM	1	\$652.25	\$1663.24	
A1a	ELEASMB7045	CONTROLLER,Q-LOGIC,CURTIS,ASSY,75 AMP,W/G4,5 MPH,125 RPM PROGRAM,Q6 EDGE,QUANTUM	1	\$476.28	\$1214.51	
A1b - A9A	ELEASMB7035	ELECTRONIC,ASSY,Q-LOGIC,CURTIS,G4,5 MPH,125 RPM MOTORS,Q6 EDGE,TILT THRU TOGGLE	1	\$652.25	\$1663.24	
A1b	ELEASMB7044	CONTROLLER,Q-LOGIC,CURTIS,ASSY,75 AMP,W/G4,5 MPH,125 RPM PROGRAM,Q6 EDGE	1	\$476.28	\$1214.51	
A1c - A9B	ELEASMB7070	ELECTRONIC,ASSY,Q-LOGIC,CURTIS,G4,6 MPH,160 RPM MOTORS,Q6 EDGE,QUANTUM	1	\$652.25	\$1663.24	
A1c	ELEASMB7077	CONTROLLER,Q-LOGIC,CURTIS,ASSY,75 AMP,W/G4,6 MPH,160 RPM PROGRAM,QUANTUM623,QUANTUM	1	\$476.28	\$1214.51	
A1d - A9B	ELEASMB7069	ELECTRONIC,ASSY,Q-LOGIC,CURTIS,G4,6 MPH,160 RPM MOTORS,Q6 EDGE,TILT THRU TOGGLE	1	\$652.25	\$1663.24	
A1d	ELEASMB7076	CONTROLLER,Q-LOGIC,CURTIS,ASSY,90 AMP,W/G4,6 MPH,160 RPM PROGRAM,Q6 EDGE	1	\$476.28	\$1214.51	
A2	INDPART2148	COVER,12 X 1.25T,BREAKER BUTTON, W/NUT	1	\$2.21	\$5.63	
A3	DWR1062H003	ELECTRONIC,HARNESS,POWER CABLE,Q6EDGE,Q-LOGIC,H-1062-003	1	\$50.91	\$129.82	
A4	DWR1502H005	ELECTRONIC,ASSY,BATTERY CABLE,GRAY,W/125A/32V FUSEABLE LINK,QUICK DISCONNECT,H-1502-005	2	\$36.7	\$93.59	
*A5	PLSTIE1004	TIE WRAP,BLACK,8"	5	\$1.1	\$2.81	
A6	DWR1265H021	ELECTRONIC,HARNESS,POWER TAKE OFF(PTO)/INHIBIT,CURTIS,H-1265-021	1	\$15.56	\$39.68	
A7	DWR1361H038	ELECTRONIC,HARNESS,RUN PLUG,SURE SEAL,SYNERGY TILT,H-1361-038	1	\$8.46	\$21.58	
A8	SCRPPH1390	SCREW,PPH,BLACK ZINC,M5-.8 X 35MM	2	\$1.1	\$2.81	
*A9A	ELEASMB1000	ELECTRONIC,ASSY,CIRCUIT BREAKER,50 AMP,COMPLETE,RIGHT ANGLE TERMINALS,PUSH TO RESET,H-1000-204	1	\$17.73	\$45.2	
*A9B	ELEASMB1188	ELECTRONIC,ASSY,CIRCUIT BREAKER,70 AMP	1	\$17.73	\$45.2	
B1	DWR1111H065	ELECTRONIC,HARNESS,BUS EXTENSION CABLE,CURTIS,0.410 METER,MALE/FEMALE,H-1111-065,(CURTIS: 17881303)	1	\$210	\$350	
C1	DWR1062D078	SHROUD,BREAKER MOUNT,BLACK,MOLDED ABS,D-1062-078	1	\$1.35	\$3.44	
D1	SCRPPH1036	SCREW,PPH,BLACK ZINC,M4-.7 X 8MM	2	\$1.1	\$2.81	
E1a	CTLASMB7110056	CONTROLLER,Q-LOGIC (FW 2.73),CURTIS,ASSY,75 AMP,W/G4,5 MPH,125 RPM PROGRAM,Q6 EDGE,QUANTUM	1	\$476.28	\$1214.51	
E1b	CTLASMB7110055	CONTROLLER,Q-LOGIC (FW 2.73),CURTIS,ASSY,75 AMP,W/G4,5 MPH,125 RPM PROGRAM,Q6 EDGE	1	\$476.28	\$1214.51	
E1c	CTLASMB7110058	CONTROLLER,Q-LOGIC (FW 2.73),CURTIS,ASSY,90 AMP,W/G4,6 MPH,160 RPM PROGRAM,Q6 EDGE,QUANTUM	1	\$476.28	\$1214.51	
E1d	CTLASMB7110057	CONTROLLER,Q-LOGIC (FW 2.73),CURTIS,ASSY,90 AMP,W/G4,6 MPH,160 RPM PROGRAM,Q6 EDGE	1	\$476.28	\$1214.51	

Notes :

Applicable to Serial Number JB616611306020 and subsequent. Top-level assemblies will include designated with corresponding extensions. Capital-letter extensions are designated for circuit breaker, and lower-case extensions are designated for 5 mph and 6 mph drive motors. Parts without extensions will be included in all top-level assemblies.

- *A5 Not shown.
- *A9A Applicable to units manufactured with 5 mph drive motors.
- *A9B Applicable to units manufactured with 6 mph drive motors.



Applicable to units manufactured prior to Serial Number JB616611306020.

Ref #	Program	Manufacture Date
A1a	5 mph, Quantum Ready	After 1/2/2012
A1b	5 mph, Tilt thru Toggle	After 1/2/2012
A1c	6 mph, Quantum Ready	After 1/2/2012
A1d	6 mph, Tilt thru Toggle	After 1/2/2012
F1a	5 mph, Quantum Ready	Prior to 1/2/2012
F1b	5 mph, Tilt thru Toggle	Prior to 1/2/2012
F1c	6 mph, Quantum Ready	Prior to 1/2/2012
F1d	6 mph, Tilt thru Toggle	Prior to 1/2/2012

*****Power Module Replacement*****

Please note: Units manufactured prior to January 2, 2012, **REQUIRE the selection of CTLASMB7110056 (F1a) for 5 mph Quantum Ready, or CTLASMB7110055 (F1b) for 5mph Tilt thru Toggle, or CTLASMB7110058 (F1c) for 6 mph Quantum Ready, or CTLASMB7110057 (F1d) for 6 mph Tilt thru Toggle.**

REF #	PART #	DESCRIPTION	QTY	Dealer \$	MSRP	11i
A1a	ELEASMB7045	CONTROLLER,Q-LOGIC,CURTIS,ASSY,75 AMP,W/G4,5 MPH,125 RPM PROGRAM,Q6 EDGE,QUANTUM	1	\$476.28	\$1214.51	
A1b	ELEASMB7044	CONTROLLER,Q-LOGIC,CURTIS,ASSY,75 AMP,W/G4,5 MPH,125 RPM PROGRAM,Q6 EDGE	1	\$476.28	\$1214.51	
A1c	ELEASMB7077	CONTROLLER,Q-LOGIC,CURTIS,ASSY,75 AMP,W/G4,6 MPH,160 RPM PROGRAM,QUANTUM623,QUANTUM	1	\$476.28	\$1214.51	
A1d	ELEASMB7076	CONTROLLER,Q-LOGIC,CURTIS,ASSY,90 AMP,W/G4,6 MPH,160 RPM PROGRAM,Q6 EDGE	1	\$476.28	\$1214.51	
A2	INDPART2148	COVER,12 X 1.25T,BREAKER BUTTON, W/NUT	1	\$2.21	\$5.63	
A3	DWR1062H001	ELECTRONIC,HARNESS,POWER CABLE,Q6EDGE,Q-LOGIC,H-1062-001	1	\$47.6	\$121.38	
A4	ELEASMB2868	ELECTRONIC,ASSY,BATTERY CABLE,GRAY,W/125A/32V FUSEABLE LINK,QUICK DISCONNECT,H-1500-013	2	\$64.75	\$165.1	
A5	SCRPPH1282	SCREW, PPH,BLACK,ZINC,M4 X 16MM,THREAD CUTTING	4	\$1.1	\$2.81	
A6	DWR1265H021	ELECTRONIC,HARNESS,POWER TAKE OFF(PTO)/INHIBIT,CURTIS,H-1265-021	1	\$15.56	\$39.68	
A7	DWR1361H038	ELECTRONIC,HARNESS,RUN PLUG,SURE SEAL,SYNERGY TILT,H-1361-038	1	\$8.46	\$21.58	
A8	SCRPPH1390	SCREW,PPH,BLACK ZINC,M5-.8 X 35MM	2	\$1.1	\$2.81	
*A9A	ELEASMB1000	ELECTRONIC,ASSY,CIRCUIT BREAKER,50 AMP,COMPLETE,RIGHT ANGLE TERMINALS,PUSH TO RESET,H-1000-204	1	\$17.73	\$45.2	
*A9B	ELEASMB1188	ELECTRONIC,ASSY,CIRCUIT BREAKER,70 AMP	1	\$17.73	\$45.2	
B1	DWR1111H065	ELECTRONIC,HARNESS,BUS EXTENSION CABLE,CURTIS,0.410 METER,MALE/FEMALE,H-1111-065,(CURTIS: 17881303)	1	\$210	\$350	
C1 - C2	FRMASMB16164	FRAME,ASSY,WIRE LOOM,Q6 EDGE	1	\$5.05	\$12.88	
C1	DWR1059E030	FRAME,WIRE LOOM,BLACK,PLASTIC,E-1059-030	1	N/A	N/A	
C2	SCRPPH1036	SCREW,PPH,BLACK ZINC,M4-.7 X 8MM	2	\$1.1	\$2.81	
D1	DWR1062D078	SHROUD,BREAKER MOUNT,BLACK,MOLDED ABS,D-1062-078	1	\$1.35	\$3.44	
E1	SCRPPH1036	SCREW,PPH,BLACK ZINC,M4-.7 X 8MM	2	\$1.1	\$2.81	
F1a	CTLASMB7110056	CONTROLLER,Q-LOGIC (FW 2.73),CURTIS,ASSY,75 AMP,W/G4,5 MPH,125 RPM PROGRAM,Q6 EDGE,QUANTUM	1	\$476.28	\$1214.51	
F1b	CTLASMB7110055	CONTROLLER,Q-LOGIC (FW 2.73),CURTIS,ASSY,75 AMP,W/G4,5 MPH,125 RPM PROGRAM,Q6 EDGE	1	\$476.28	\$1214.51	
F1c	CTLASMB7110058	CONTROLLER,Q-LOGIC (FW 2.73),CURTIS,ASSY,90 AMP,W/G4,6 MPH,160 RPM PROGRAM,Q6 EDGE,QUANTUM	1	\$476.28	\$1214.51	
F1d	CTLASMB7110057	CONTROLLER,Q-LOGIC (FW 2.73),CURTIS,ASSY,90 AMP,W/G4,6 MPH,160 RPM PROGRAM,Q6 EDGE	1	\$476.28	\$1214.51	

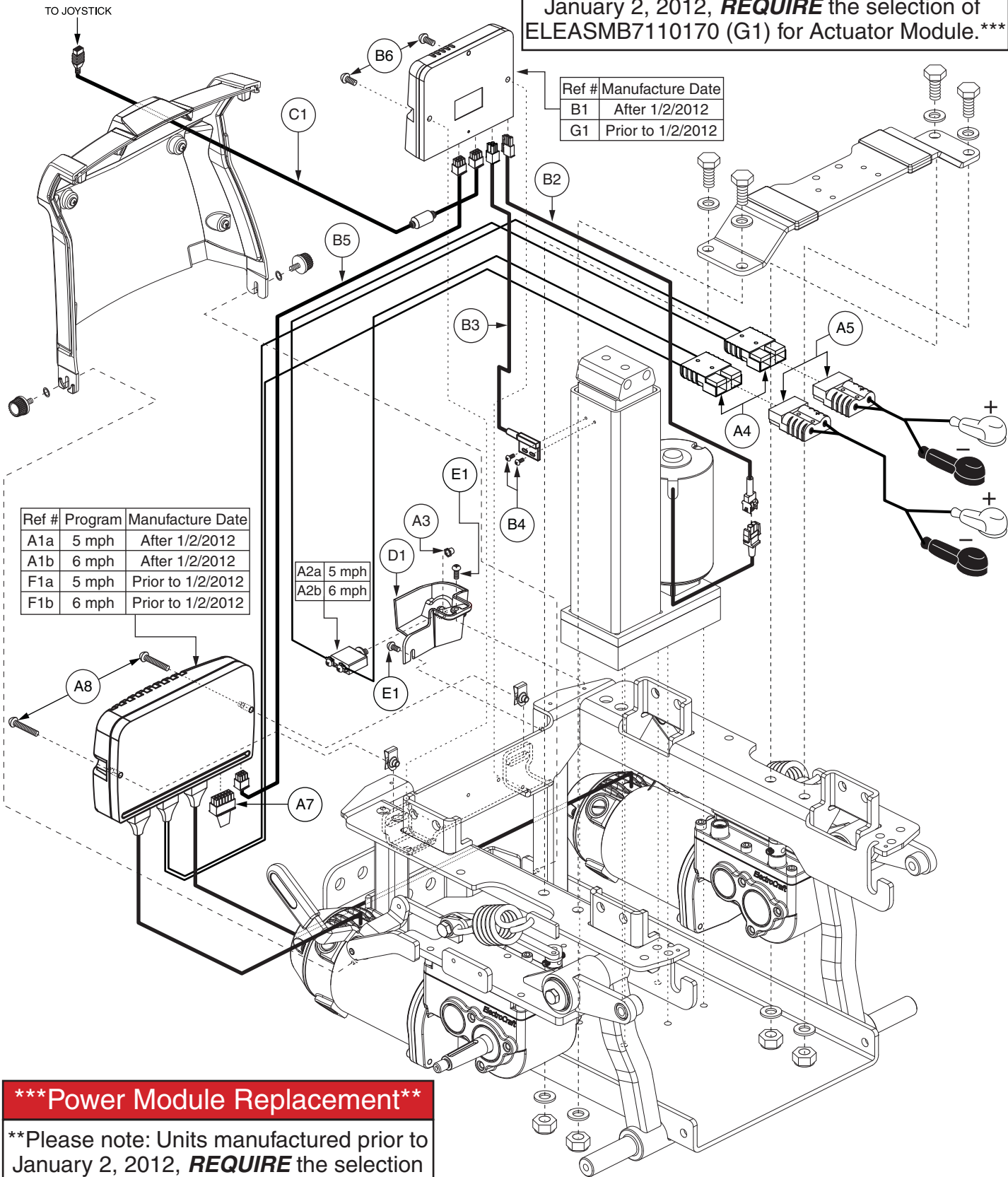
Notes :

Applicable to units manufactured prior to Serial Number JB616611306020.

- *A9A** Applicable to units manufactured with 5 mph drive motors.
- *A9B** Applicable to units manufactured with 6 mph drive motors.

Applicable to Serial Number
 JB616611306020 and subsequent.

***** Actuator Module Replacement *****
 **Please note: Units manufactured prior to
 January 2, 2012, **REQUIRE** the selection of
 ELEASMB7110170 (G1) for Actuator Module.***



Ref #	Manufacture Date
B1	After 1/2/2012
G1	Prior to 1/2/2012

Ref #	Program	Manufacture Date
A1a	5 mph	After 1/2/2012
A1b	6 mph	After 1/2/2012
F1a	5 mph	Prior to 1/2/2012
F1b	6 mph	Prior to 1/2/2012

A2a	5 mph
A2b	6 mph

***** Power Module Replacement *****
 **Please note: Units manufactured prior to
 January 2, 2012, **REQUIRE** the selection
 of CTLASMB7110056 (F1a) for 5 mph
 or CTLASMB7110058 (F1b) for 6 mph.**

REF #	PART #	DESCRIPTION	QTY	Dealer \$	11i MSRP
A1a - B6	ELEASMB7086	ELECTRONIC,ASSY,Q-LOGIC,CURTIS,G4,5 MPH,125 RPM MOTORS,Q6 EDGE,POWERSEAT THRU JOYSTICK	1	\$902.63	\$2301.71
A1a	ELEASMB7045	CONTROLLER,Q-LOGIC,CURTIS,ASSY,75 AMP,W/G4,5 MPH,125 RPM PROGRAM,QUANTUM623,QUANTUM	1	\$476.28	\$1214.51
A1b - B6	ELEASMB7120	ELECTRONIC,ASSY,Q-LOGIC,CURTIS,G4,6 MPH,160 RPM MOTORS,Q6 EDGE,POWERSEAT THRU JOYSTICK	1	\$902.63	\$2301.71
A1b	ELEASMB7077	CONTROLLER,Q-LOGIC,CURTIS,ASSY,90 AMP,W/G4,6 MPH,160 RPM PROGRAM,QUANTUM623,QUANTUM	1	\$476.28	\$1214.51
A2a	ELEASMB1000	ELECTRONIC,ASSY,CIRCUIT BREAKER,50 AMP,COMPLETE,RIGHT ANGLE TERMINALS,PUSH TO RESET,(MP: 1648-082-050-0F0)	1	\$17.73	\$45.2
A2b	ELEASMB1188	ELECTRONIC,ASSY,CIRCUIT BREAKER,70 AMP	1	\$17.73	\$45.2
A3	INDPART2148	COVER,12 X 1.25T,BREAKER BUTTON, W/NUT	1	\$2.21	\$5.63
A4	DWR1062H003	ELECTRONIC,HARNESS,POWER CABLE,Q6EDGE,Q-LOGIC,H-1062-003	1	\$50.91	\$129.82
A5	DWR1502H005	ELECTRONIC,ASSY,BATTERY CABLE,GRAY,W/125A/32V FUSEABLE LINK,QUICK DISCONNECT,H-1502-005	2	\$36.7	\$93.59
*A6	PLSTIE1004	TIE WRAP,BLACK,8"	4	\$1.1	\$2.81
A7	DWR1265H027	ELECTRONIC,HARNESS,RUN PLUG,Q-LOGIC,H-1265-027	1	\$3.15	\$8.03
A8	SCRPPH1390	SCREW,PPH,BLACK ZINC,M5-.8 X 35MM	2	\$1.1	\$2.81
B1 - B6	ELEASMB7092	ELECTRONIC,ASSY,ACTUATOR MODULE & MOUNTING HARDWARE,QUANTUM623,POWERSEAT THRU JOYSTICK	1	\$272.35	\$694.49
B1	ELEASMB6557	ELECTRONIC,ASSY,AM1 MODULE,W/ PROGRAMMING,TRU-BALANCE,ELEVATE(CONFIGURATION # 04)	1	\$211.54	\$539.44
B2	DWR1265H017	ELECTRONIC,HARNESS,POWER SEAT,TRU-BALANCE TILT 2,H-1265-017	1	\$7.65	\$19.5
B3	DWR1265H016	ELECTRONIC,HARNESS,POWER SEAT INHIBIT,CURTIS,TRU-BALANCE TILT 2,H-1265-016	1	\$20.48	\$52.23
B4	SCRPPH1290	SCREW,PPH,BLACK ZINC,4-40 X 0.25"	2	\$1.1	\$2.81
B5	DWR1111H311	ELECTRONIC,HARNESS,BUS EXTENSION CABLE,AAML/M,H-1111-311,(CURTIS: 17881302-02)	1	\$28.31	\$72.2
B6	SCRPPH1153	SCREW,PPH,BLACK ZINC,M4-.7 X 20MM	2	\$1.1	\$2.81
C1	DWR1111H065	ELECTRONIC,HARNESS,BUS EXTENSION CABLE,CURTIS,0.410 METER,MALE/FEMALE,H-1111-065,(CURTIS: 17881303)	1	\$210	\$350
D1	DWR1062D078	SHROUD,BREAKER MOUNT,BLACK,MOLDED ABS,D-1062-078	1	\$1.35	\$3.44
E1	SCRPPH1036	SCREW,PPH,BLACK ZINC,M4-.7 X 8MM	2	\$1.1	\$2.81
F1a	CTLASMB7110056	CONTROLLER,Q-LOGIC (FW 2.73),CURTIS,ASSY,75 AMP,W/G4,5 MPH,125 RPM PROGRAM,Q6 EDGE,QUANTUM	1	\$476.28	\$1214.51
F1b	CTLASMB7110058	CONTROLLER,Q-LOGIC (FW 2.73),CURTIS,ASSY,90 AMP,W/G4,6 MPH,160 RPM PROGRAM,Q6 EDGE,QUANTUM	1	\$476.28	\$1214.51
G1	ELEASMB7110170	ELECTRONIC,ASSY,AM1 MODULE (FW 1.16),W/ PROGRAMMING,TRU-BALANCE,ELEVATE(CONFIGURATION # 04)	1	\$211.55	\$539.44

Notes :

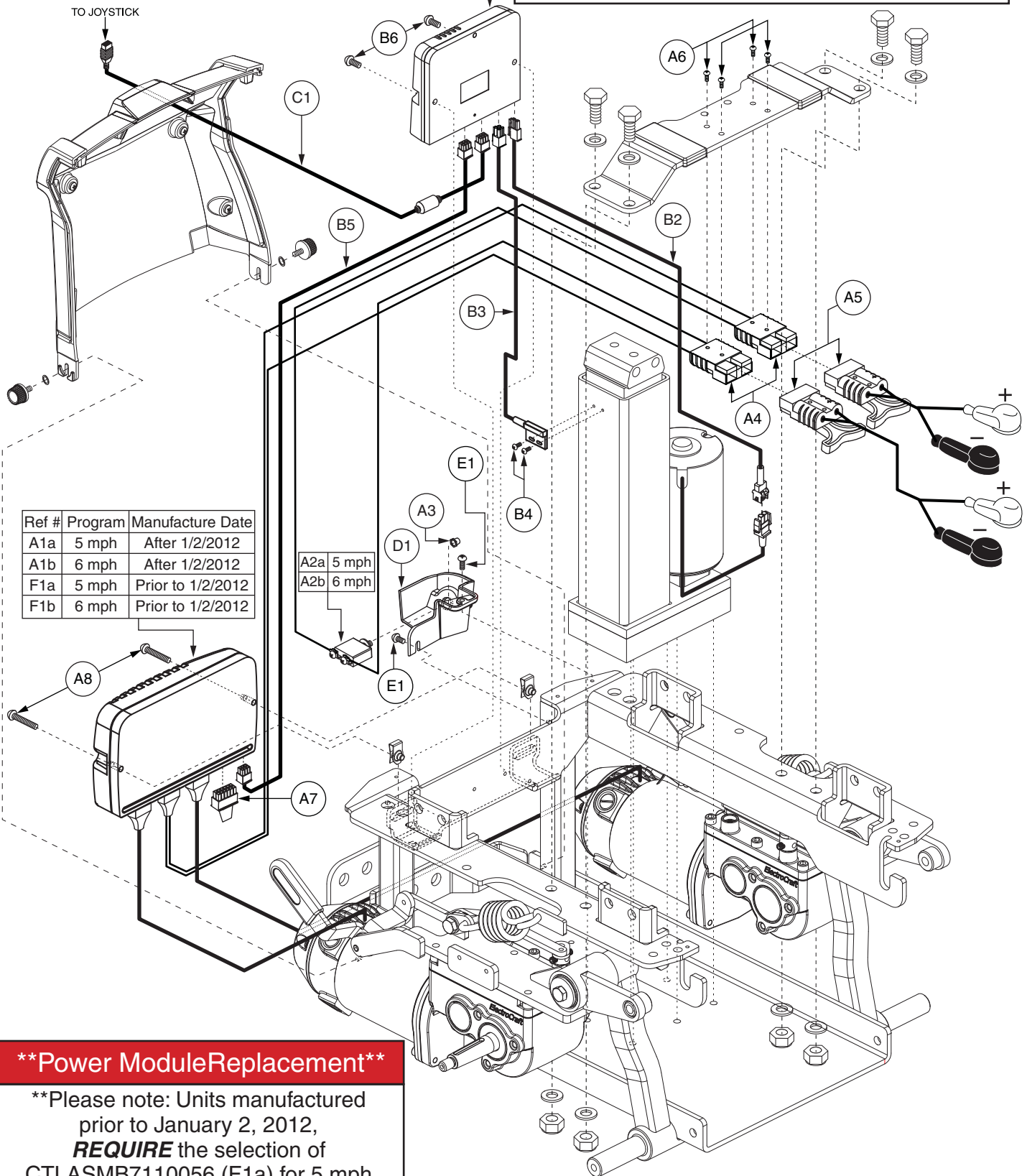
Applicable to Serial Number JB616611306020 and subsequent. Top-level assemblies will include components designated with corresponding lower-case letters. Parts without lower-case letters will be included in all top-level assemblies.

*A6 Not shown.

Applicable to units manufactured prior to Serial Number JB616611306020.

Ref #	Manufacture Date
B1	After 1/2/2012
G1	Prior to 1/2/2012

****Actuator Module Replacement****
 Please note: Units manufactured prior to January 2, 2012, **REQUIRE the selection of ELEASMB7110170 (G1) for Actuator Module.**



Ref #	Program	Manufacture Date
A1a	5 mph	After 1/2/2012
A1b	6 mph	After 1/2/2012
F1a	5 mph	Prior to 1/2/2012
F1b	6 mph	Prior to 1/2/2012

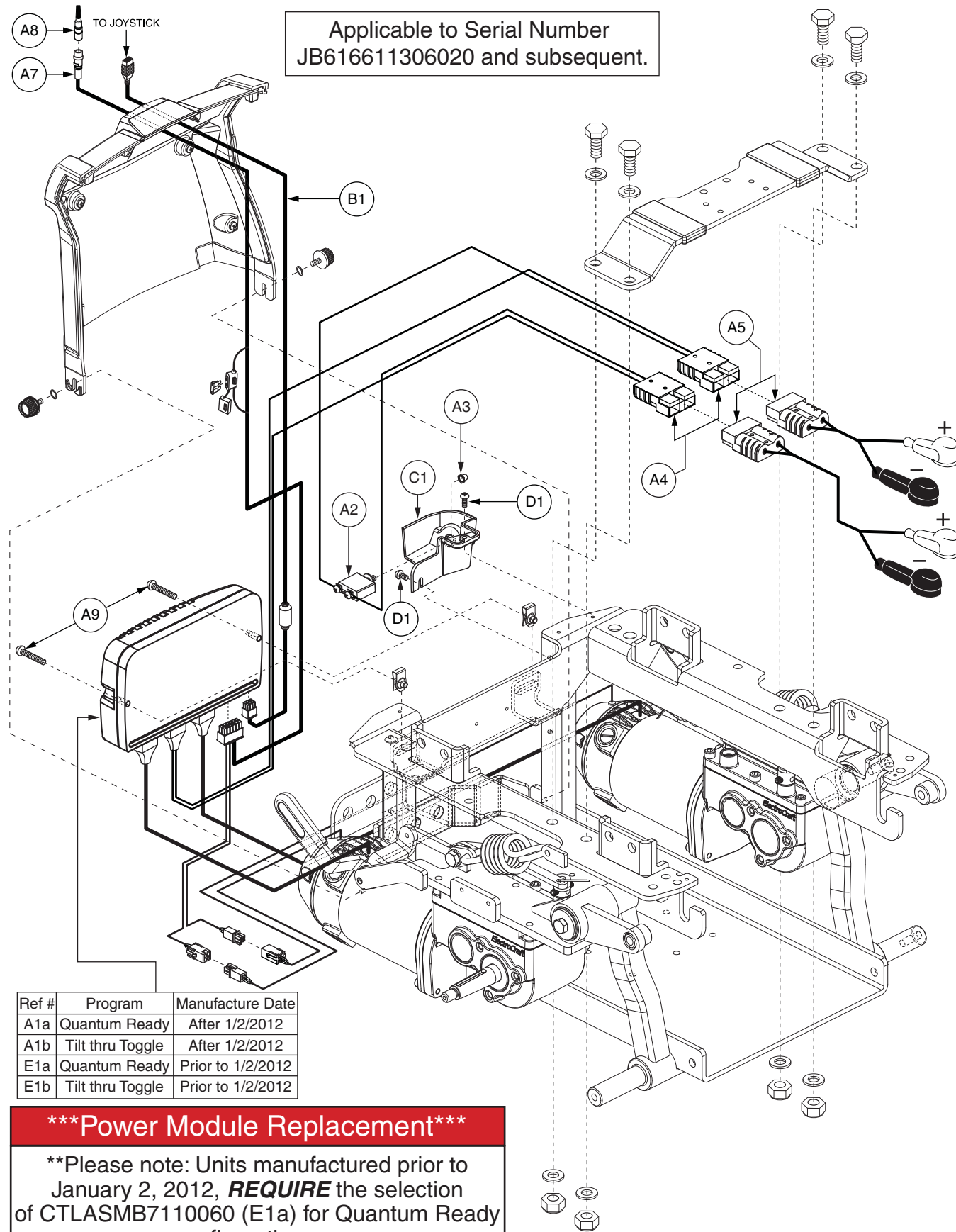
A2a	5 mph
A2b	6 mph

****Power Module Replacement****
 Please note: Units manufactured prior to January 2, 2012, **REQUIRE the selection of CTLASMB7110056 (F1a) for 5 mph or CTLASMB7110058 (F1b) for 6 mph.**

REF #	PART #	DESCRIPTION	QTY	Dealer \$	11i MSRP
A1a	ELEASMB7045	CONTROLLER,Q-LOGIC,CURTIS,ASSY,75 AMP,W/G4,5 MPH,125 RPM PROGRAM,QUANTUM623,QUANTUM	1	\$476.28	\$1214.51
A1b	ELEASMB7077	CONTROLLER,Q-LOGIC,CURTIS,ASSY,90 AMP,W/G4,6 MPH,160 RPM PROGRAM,QUANTUM623,QUANTUM	1	\$476.28	\$1214.51
A2a	ELEASMB1000	ELECTRONIC,ASSY,CIRCUIT BREAKER,50 AMP,COMPLETE,RIGHT ANGLE TERMINALS,PUSH TO RESET,(MP: 1648-082-050-0F0)	1	\$17.73	\$45.2
A2b	ELEASMB1188	ELECTRONIC,ASSY,CIRCUIT BREAKER,70 AMP	1	\$17.73	\$45.2
A3	INDPART2148	COVER,12 X 1.25T,BREAKER BUTTON, W/NUT	1	\$2.21	\$5.63
A4	DWR1062H002	ELECTRONIC,HARNESS,POWER CABLE,POWER SEAT,Q6EDGE,Q-LOGIC,H-1062-002	1	\$49.37	\$125.91
A5	ELEASMB2868	ELECTRONIC,ASSY,BATTERY CABLE,GRAY,W/125A/32V FUSEABLE LINK,QUICK DISCONNECT,H-1500-013	2	\$64.75	\$165.1
A6	SCRPPH1282	SCREW, PPH,BLACK,ZINC,M4 X 16MM,THREAD CUTTING	4	\$1.1	\$2.81
A7	DWR1265H027	ELECTRONIC,HARNESS,RUN PLUG,Q-LOGIC,H-1265-027	1	\$3.15	\$8.03
A8	SCRPPH1390	SCREW,PPH,BLACK ZINC,M5-.8 X 35MM	2	\$1.1	\$2.81
B1 - B6	ELEASMB7092	ELECTRONIC,ASSY,ACTUATOR MODULE & MOUNTING HARDWARE,QUANTUM623,POWERSEAT THRU JOYSTICK	1	\$272.35	\$694.49
B1	ELEASMB6557	ELECTRONIC,ASSY,AM1 MODULE,W/ PROGRAMMING,TRU-BALANCE,ELEVATE(CONFIGURATION # 04)	1	\$211.54	\$539.44
B2	DWR1265H017	ELECTRONIC,HARNESS,POWER SEAT,TRU-BALANCE TILT 2,H-1265-017	1	\$7.65	\$19.5
B3	DWR1265H016	ELECTRONIC,HARNESS,POWER SEAT INHIBIT,CURTIS,TRU-BALANCE TILT 2,H-1265-016	1	\$20.48	\$52.23
B4	SCRPPH1290	SCREW,PPH,BLACK ZINC,4-40 X 0.25"	2	\$1.1	\$2.81
B5	DWR1111H311	ELECTRONIC,HARNESS,BUS EXTENSION CABLE,AAM/LM,H-1111-311,(CURTIS: 17881302-02)	1	\$28.31	\$72.2
B6	SCRPPH1153	SCREW,PPH,BLACK ZINC,M4-.7 X 20MM	2	\$1.1	\$2.81
C1	DWR1111H065	ELECTRONIC,HARNESS,BUS EXTENSION CABLE,CURTIS,0.410 METER,MALE/FEMALE,H-1111-065,(CURTIS: 17881303)	1	\$210	\$350
D1	DWR1062D078	SHROUD,BREAKER MOUNT,BLACK,MOLDED ABS,D-1062-078	1	\$1.35	\$3.44
E1	SCRPPH1036	SCREW,PPH,BLACK ZINC,M4-.7 X 8MM	2	\$1.1	\$2.81
F1a	CTLASMB7110056	CONTROLLER,Q-LOGIC (FW 2.73),CURTIS,ASSY,75 AMP,W/G4,5 MPH,125 RPM PROGRAM,Q6 EDGE,QUANTUM	1	\$476.28	\$1214.51
F1b	CTLASMB7110058	CONTROLLER,Q-LOGIC (FW 2.73),CURTIS,ASSY,90 AMP,W/G4,6 MPH,160 RPM PROGRAM,Q6 EDGE,QUANTUM	1	\$476.28	\$1214.51
G1	ELEASMB7110170	ELECTRONIC,ASSY,AM1 MODULE (FW 1.16),W/ PROGRAMMING,TRU-BALANCE,ELEVATE(CONFIGURATION # 04)	1	\$211.55	\$539.44

Notes :

Applicable to units manufactured prior to Serial Number JB616611306020.



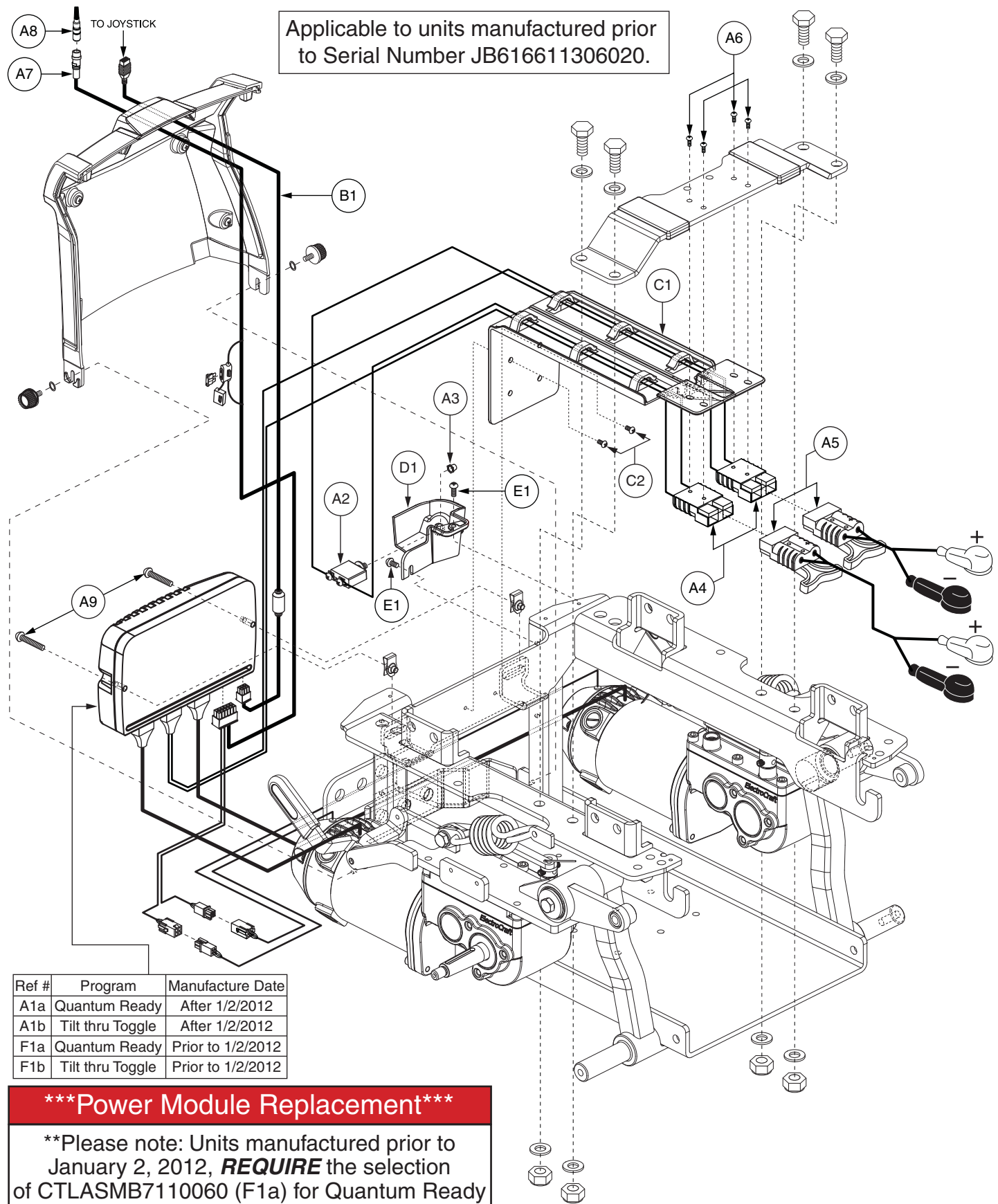
VII. Electronics Assembly — Q-Logic, Accu-Trac Motor, Quantum Ready/Tilt thru Toggle

REF #	PART #	DESCRIPTION	QTY	Dealer \$	11i MSRP
A1a - A9	ELEASMB7038	ELECTRONIC,ASSY,Q-LOGIC,CURTIS,G4,6 MPH,160 RPM ACCU-TRAC MOTORS,Q6 EDGE,QUANTUM	1	\$665.84	\$1697.88
A1a	ELEASMB7047	CONTROLLER,Q-LOGIC,CURTIS,ASSY,90 AMP,W/G4,6 MPH,160 RPM ACCU-TRAC PROGRAM,QUANTUM623,QUANTUM	1	\$476.28	\$1214.51
A1b - A9	ELEASMB7037	ELECTRONIC,ASSY,Q-LOGIC,CURTIS,G4,6 MPH,160 RPM ACCU-TRAC MOTORS,Q6 EDGE,UNIVERSAL/TILT THRU TOGGLE	1	\$665.84	\$1697.88
A1b	ELEASMB7046	CONTROLLER,Q-LOGIC,CURTIS,ASSY,90 AMP,W/G4,6 MPH,160 RPM ACCU-TRAC PROGRAM,QUANTUM623	1	\$476.28	\$1214.51
A2	ELEASMB1188	ELECTRONIC,ASSY,CIRCUIT BREAKER,70 AMP	1	\$17.73	\$45.2
A3	INDPART2148	COVER,12 X 1.25T,BREAKER BUTTON, W/NUT	1	\$2.21	\$5.63
A4	DWR1062H003	ELECTRONIC,HARNESS,POWER CABLE,Q6EDGE,Q-LOGIC,H-1062-003	1	\$50.91	\$129.82
A5	DWR1502H005	ELECTRONIC,ASSY,BATTERY CABLE,GRAY,W/125A/32V FUSEABLE LINK,QUICK DISCONNECT,H-1502-005	2	\$36.7	\$93.59
*A6	PLSTIE1004	TIE WRAP,BLACK,8"	5	\$1.1	\$2.81
A7	DWR1265H050	ELECTRONIC,MOTOR DECODER/POWER TAKE OFF(PTO)/INHIBIT,Q-LOGIC,H-1265-050	1	\$41.99	\$107.07
A8	DWR1361H038	ELECTRONIC,HARNESS,RUN PLUG,SURE SEAL,SYNERGY TILT,H-1361-038	1	\$8.46	\$21.58
A9	SCRPPH1390	SCREW,PPH,BLACK ZINC,M5-.8 X 35MM	2	\$1.1	\$2.81
B1	DWR1111H065	ELECTRONIC,HARNESS,BUS EXTENSION CABLE,CURTIS,0.410 METER,MALE/FEMALE,H-1111-065,(CURTIS: 17881303)	1	\$210	\$350
C1	DWR1062D078	SHROUD,BREAKER MOUNT,BLACK,MOLDED ABS,D-1062-078	1	\$1.35	\$3.44
D1	SCRPPH1036	SCREW,PPH,BLACK ZINC,M4-.7 X 8MM	2	\$1.1	\$2.81
E1a	CTLASMB7110060	CONTROLLER,Q-LOGIC (FW 2.73),CURTIS,ASSY,90 AMP,W/G4,6 MPH,160 RPM ACCU-TRAC PROGRAM,Q6 EDGE,QUANTUM	1	\$476.28	\$1214.51
E1b	CTLASMB7110059	CONTROLLER,Q-LOGIC (FW 2.73),CURTIS,ASSY,90 AMP,W/G4,6 MPH,160 RPM ACCU-TRAC PROGRAM,Q6 EDGE	1	\$476.28	\$1214.51

Notes :

Applicable to Serial Number JB616611306020 and subsequent. Top-level assemblies will include components designated with corresponding lower-case letters. Parts without lower-case letters will be included in all top-level assemblies.

*A6 Not shown.



Applicable to units manufactured prior to Serial Number JB616611306020.

Ref #	Program	Manufacture Date
A1a	Quantum Ready	After 1/2/2012
A1b	Tilt thru Toggle	After 1/2/2012
F1a	Quantum Ready	Prior to 1/2/2012
F1b	Tilt thru Toggle	Prior to 1/2/2012

*****Power Module Replacement*****

****Please note: Units manufactured prior to January 2, 2012, *REQUIRE* the selection of CTLASMB7110060 (F1a) for Quantum Ready configurations or CTLASMB7110059 (F1b) for Tilt thru Toggle configurations.****

VII. Electronics Assembly — Q-Logic, Accu-Trac Motor, Quantum Ready/Tilt thru Toggle

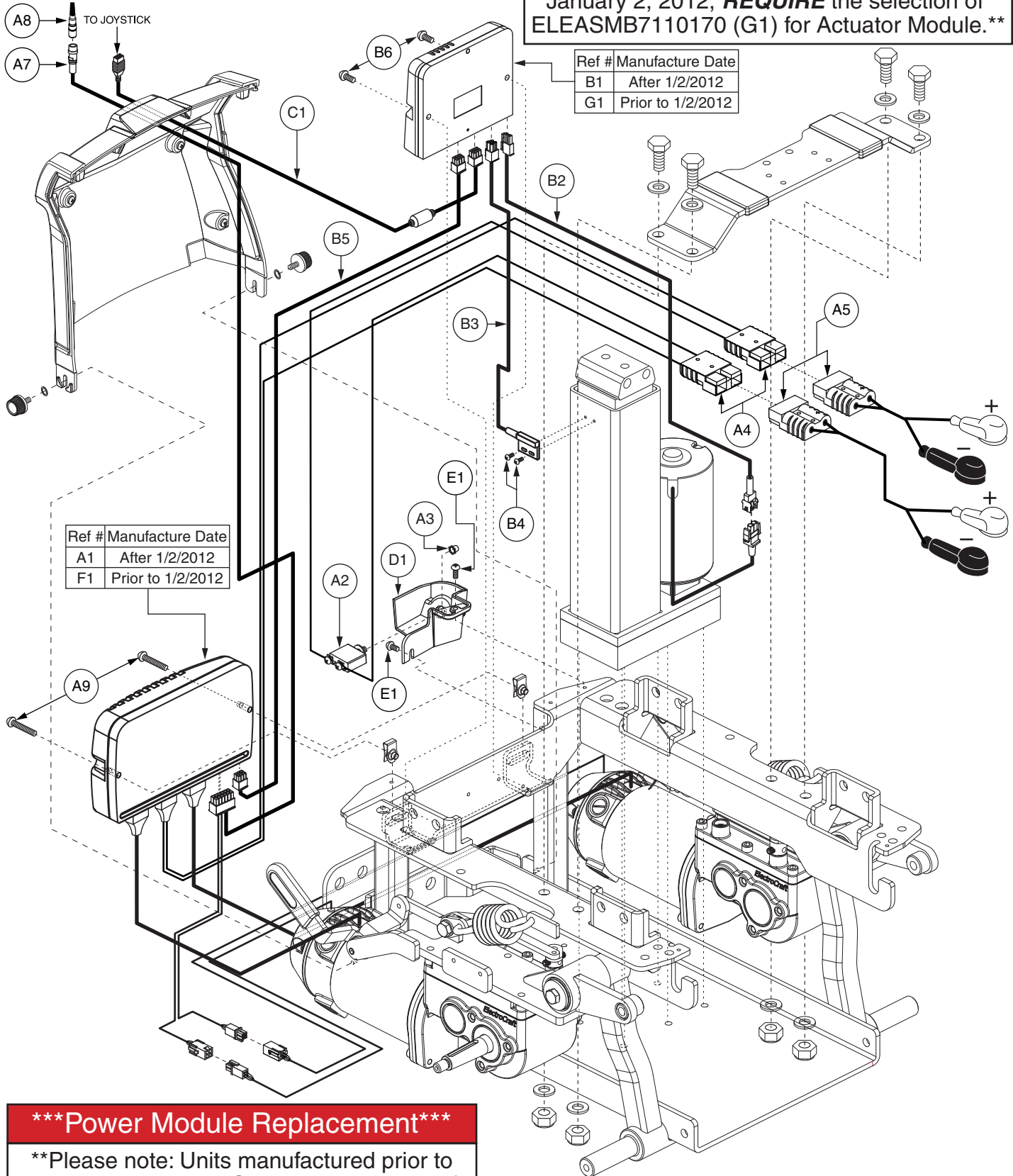
REF #	PART #	DESCRIPTION	QTY	Dealer \$	MSRP	11i
A1a	ELEASMB7047	CONTROLLER,Q-LOGIC,CURTIS,ASSY,90 AMP,W/G4,6 MPH,160 RPM ACCU-TRAC PROGRAM,QUANTUM623,QUANTUM	1	\$476.28	\$1214.51	
A1b	ELEASMB7046	CONTROLLER,Q-LOGIC,CURTIS,ASSY,90 AMP,W/G4,6 MPH,160 RPM ACCU-TRAC PROGRAM,QUANTUM623	1	\$476.28	\$1214.51	
A2	ELEASMB1188	ELECTRONIC,ASSY,CIRCUIT BREAKER,70 AMP	1	\$17.73	\$45.2	
A3	INDPART2148	COVER,12 X 1.25T,BREAKER BUTTON, W/NUT	1	\$2.21	\$5.63	
A4	DWR1062H001	ELECTRONIC,HARNESS,POWER CABLE,Q6EDGE,Q-LOGIC,H-1062-001	1	\$47.6	\$121.38	
A5	ELEASMB2868	ELECTRONIC,ASSY,BATTERY CABLE,GRAY,W/125A/32V FUSEABLE LINK,QUICK DISCONNECT,H-1500-013	2	\$64.75	\$165.1	
A6	SCRPPH1282	SCREW, PPH,BLACK,ZINC,M4 X 16MM,THREAD CUTTING	4	\$1.1	\$2.81	
A7	DWR1265H050	ELECTRONIC,MOTOR DECODER/POWER TAKE OFF(PTO)/INHIBIT,Q-LOGIC,H-1265-050	1	\$41.99	\$107.07	
A8	DWR1361H038	ELECTRONIC,HARNESS,RUN PLUG,SURE SEAL,SYNERGY TILT,H-1361-038	1	\$8.46	\$21.58	
A9	SCRPPH1390	SCREW,PPH,BLACK ZINC,M5-.8 X 35MM	2	\$1.1	\$2.81	
B1	DWR1111H065	ELECTRONIC,HARNESS,BUS EXTENSION CABLE,CURTIS,0.410 METER,MALE/FEMALE,H-1111-065,(CURTIS: 17881303)	1	\$210	\$350	
C1 - C2	FRMASMB16164	FRAME,ASSY,WIRE LOOM,Q6 EDGE	1	\$5.05	\$12.88	
C1	DWR1059E030	FRAME,WIRE LOOM,BLACK,PLASTIC,E-1059-030	1	N/A	N/A	
C2	SCRPPH1036	SCREW,PPH,BLACK ZINC,M4-.7 X 8MM	2	\$1.1	\$2.81	
D1	DWR1062D078	SHROUD,BREAKER MOUNT,BLACK,MOLDED ABS,D-1062-078	1	\$1.35	\$3.44	
E1	SCRPPH1036	SCREW,PPH,BLACK ZINC,M4-.7 X 8MM	2	\$1.1	\$2.81	
F1a	CTLASMB7110060	CONTROLLER,Q-LOGIC (FW 2.73),CURTIS,ASSY,90 AMP,W/G4,6 MPH,160 RPM ACCU-TRAC PROGRAM,Q6 EDGE,QUANTUM	1	\$476.28	\$1214.51	
F1b	CTLASMB7110059	CONTROLLER,Q-LOGIC (FW 2.73),CURTIS,ASSY,90 AMP,W/G4,6 MPH,160 RPM ACCU-TRAC PROGRAM,Q6 EDGE	1	\$476.28	\$1214.51	

Notes :

Applicable to units manufactured prior to Serial Number JB616611306020.

Applicable to Serial Number JB616611306020 and subsequent.

***** Actuator Module Replacement *****
Please note: Units manufactured prior to January 2, 2012, **REQUIRE the selection of ELEASMB7110170 (G1) for Actuator Module.**



Ref #	Manufacture Date
B1	After 1/2/2012
G1	Prior to 1/2/2012

Ref #	Manufacture Date
A1	After 1/2/2012
F1	Prior to 1/2/2012

***** Power Module Replacement *****
Please note: Units manufactured prior to January 2, 2012, **REQUIRE the selection of CTLASMB7110060 (F1) for Power Module.**

VII. Electronics Assembly — Q-Logic, Accu-Trac Motor, Power Seat thru Joystick

REF #	PART #	DESCRIPTION	QTY	Dealer \$	11i MSRP
A1 - B6	ELEASMB7209	ELECTRONIC,ASSY,Q-LOGIC,CURTIS,G4,6 MPH,160 RPM ACCU-TRAC MOTORS,Q6 EDGE,POWERSEAT THRU JOYSTICK	1	\$1004.48	\$2561.43
A1	ELEASMB7047	CONTROLLER,Q-LOGIC,CURTIS,ASSY,90 AMP,W/G4,6 MPH,160 RPM ACCU-TRAC PROGRAM,QUANTUM623,QUANTUM	1	\$476.28	\$1214.51
A2	ELEASMB1188	ELECTRONIC,ASSY,CIRCUIT BREAKER,70 AMP	1	\$17.73	\$45.2
A3	INDPART2148	COVER,12 X 1.25T,BREAKER BUTTON, W/NUT	1	\$2.21	\$5.63
A4	DWR1062H003	ELECTRONIC,HARNESS,POWER CABLE,Q6EDGE,Q-LOGIC,H-1062-003	1	\$50.91	\$129.82
A5	DWR1502H005	ELECTRONIC,ASSY,BATTERY CABLE,GRAY,W/125A/32V FUSEABLE LINK,QUICK DISCONNECT,H-1502-005	2	\$36.7	\$93.59
*A6	PLSTIE1004	TIE WRAP,BLACK,8"	4	\$1.1	\$2.81
A7	DWR1265H050	ELECTRONIC,MOTOR DECODER/POWER TAKE OFF(PTO)/INHIBIT,Q-LOGIC,H-1265-050	1	\$41.99	\$107.07
A8	DWR1361H038	ELECTRONIC,HARNESS,RUN PLUG,SURE SEAL,SYNERGY TILT,H-1361-038	1	\$8.46	\$21.58
A9	SCRPPH1390	SCREW,PPH,BLACK ZINC,M5-.8 X 35MM	2	\$1.1	\$2.81
B1 - B6	ELEASMB7092	ELECTRONIC,ASSY,ACTUATOR MODULE & MOUNTING HARDWARE,QUANTUM623,POWERSEAT THRU JOYSTICK	1	\$272.35	\$694.49
B1	ELEASMB6557	ELECTRONIC,ASSY,AM1 MODULE,W/ PROGRAMMING,TRU-BALANCE,ELEVATE(CONFIGURATION # 04)	1	\$211.54	\$539.44
B2	DWR1265H017	ELECTRONIC,HARNESS,POWER SEAT,TRU-BALANCE TILT 2,H-1265-017	1	\$7.65	\$19.5
B3	DWR1265H016	ELECTRONIC,HARNESS,POWER SEAT INHIBIT,CURTIS,TRU-BALANCE TILT 2,H-1265-016	1	\$20.48	\$52.23
B4	SCRPPH1290	SCREW,PPH,BLACK ZINC,4-40 X 0.25"	2	\$1.1	\$2.81
B5	DWR1111H311	ELECTRONIC,HARNESS,BUS EXTENSION CABLE,AAM/LM,H-1111-311,(CURTIS: 17881302-02)	1	\$28.31	\$72.2
B6	SCRPPH1153	SCREW,PPH,BLACK ZINC,M4-.7 X 20MM	2	\$1.1	\$2.81
C1	DWR1111H065	ELECTRONIC,HARNESS,BUS EXTENSION CABLE,CURTIS,0.410 METER,MALE/FEMALE,H-1111-065,(CURTIS: 17881303)	1	\$210	\$350
D1	DWR1062D078	SHROUD,BREAKER MOUNT,BLACK,MOLDED ABS,D-1062-078	1	\$1.35	\$3.44
E1	SCRPPH1036	SCREW,PPH,BLACK ZINC,M4-.7 X 8MM	2	\$1.1	\$2.81
F1	CTLASMB7110060	CONTROLLER,Q-LOGIC (FW 2.73),CURTIS,ASSY,90 AMP,W/G4,6 MPH,160 RPM ACCU-TRAC PROGRAM,Q6 EDGE,QUANTUM	1	\$476.28	\$1214.51
G1	ELEASMB7110170	ELECTRONIC,ASSY,AM1 MODULE (FW 1.16),W/ PROGRAMMING,TRU-BALANCE,ELEVATE(CONFIGURATION # 04)	1	\$211.55	\$539.44

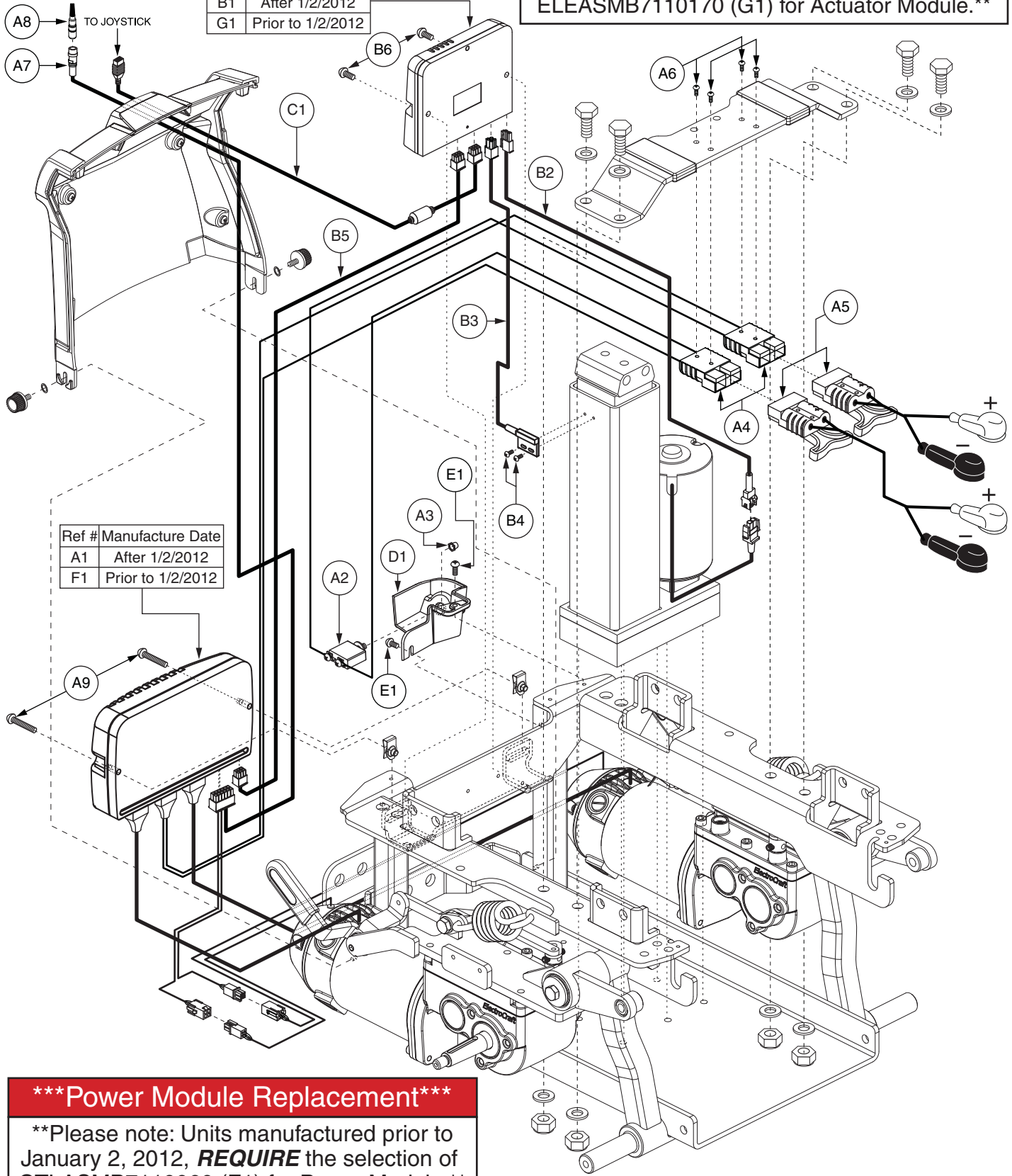
Notes :

Applicable to Serial Number JB616611306020 and subsequent.

Applicable to units manufactured prior to Serial Number JB616611306020.

Ref #	Manufacture Date
B1	After 1/2/2012
G1	Prior to 1/2/2012

****Actuator Module Replacement****
****Please note: Units manufactured prior to January 2, 2012, REQUIRE the selection of ELEASMB7110170 (G1) for Actuator Module.****



Ref #	Manufacture Date
A1	After 1/2/2012
F1	Prior to 1/2/2012

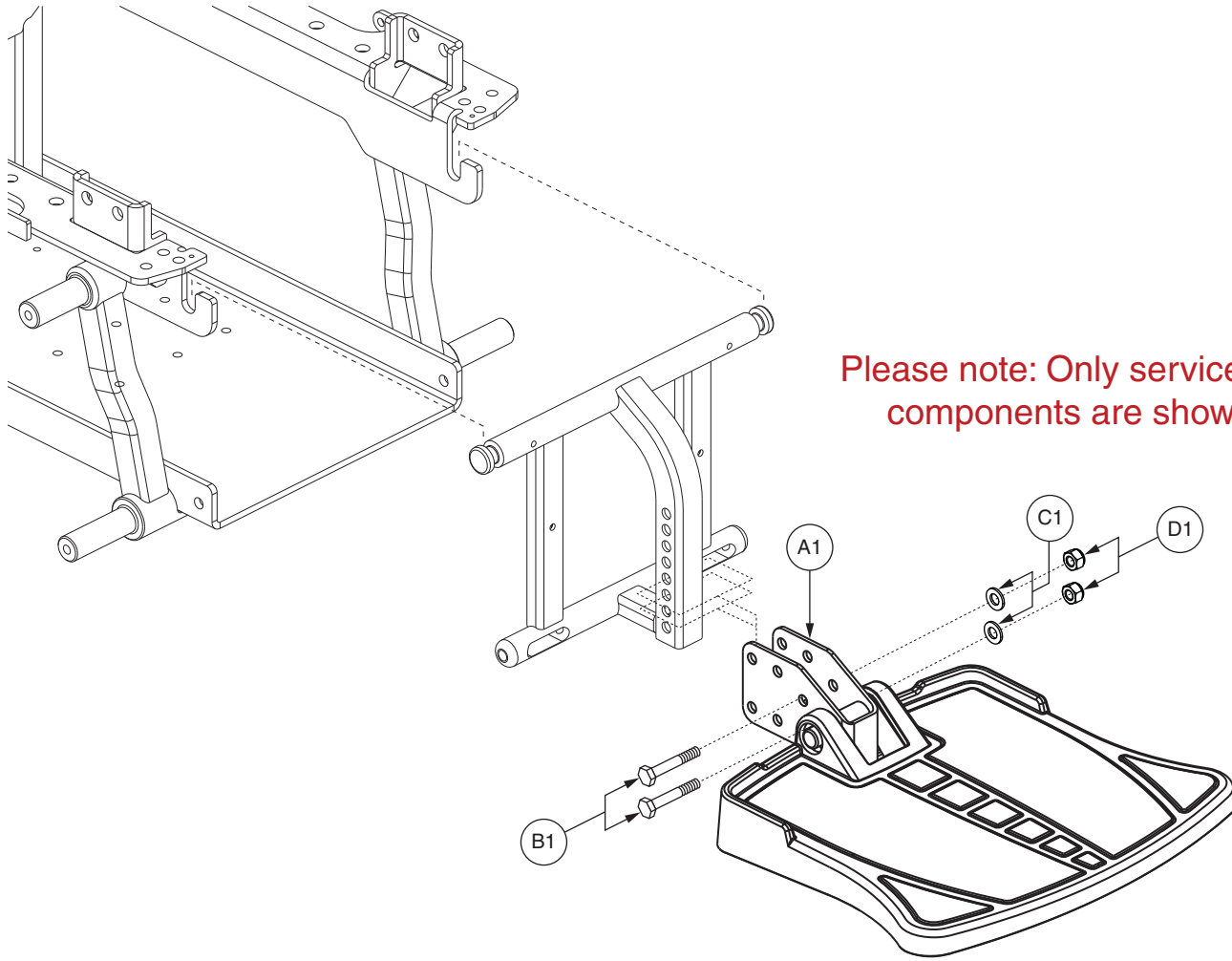
*****Power Module Replacement*****
****Please note: Units manufactured prior to January 2, 2012, REQUIRE the selection of CTLASMB7110060 (F1) for Power Module.****

VII. Electronics Assembly — Q-Logic, Accu-Trac Motor, Power Seat thru Joystick

REF #	PART #	DESCRIPTION	QTY	Dealer \$	MSRP	11i
A1	ELEASMB7047	CONTROLLER,Q-LOGIC,CURTIS,ASSY,90 AMP,W/G4,6 MPH,160 RPM ACCU-TRAC PROGRAM,QUANTUM623,QUANTUM	1	\$476.28	\$1214.51	
A2	ELEASMB1188	ELECTRONIC,ASSY,CIRCUIT BREAKER,70 AMP	1	\$17.73	\$45.2	
A3	INDPART2148	COVER,12 X 1.25T,BREAKER BUTTON, W/NUT	1	\$2.21	\$5.63	
A4	DWR1062H002	ELECTRONIC,HARNESS,POWER CABLE,POWER SEAT,Q6EDGE,Q-LOGIC,H-1062-002	1	\$49.37	\$125.91	
A5	ELEASMB2868	ELECTRONIC,ASSY,BATTERY CABLE,GRAY,W/125A/32V FUSEABLE LINK,QUICK DISCONNECT,H-1500-013	2	\$64.75	\$165.1	
A6	SCRPPH1282	SCREW, PPH,BLACK,ZINC,M4 X 16MM,THREAD CUTTING	4	\$1.1	\$2.81	
A7	DWR1265H050	ELECTRONIC,MOTOR DECODER/POWER TAKE OFF(PTO)/INHIBIT,Q-LOGIC,H-1265-050	1	\$41.99	\$107.07	
A8	DWR1361H038	ELECTRONIC,HARNESS,RUN PLUG,SURE SEAL,SYNERGY TILT,H-1361-038	1	\$8.46	\$21.58	
A9	SCRPPH1390	SCREW,PPH,BLACK ZINC,M5-.8 X 35MM	2	\$1.1	\$2.81	
B1 - B6	ELEASMB7092	ELECTRONIC,ASSY,ACTUATOR MODULE & MOUNTING HARDWARE,QUANTUM623,POWERSEAT THRU JOYSTICK	1	\$272.35	\$694.49	
B1	ELEASMB6557	ELECTRONIC,ASSY,AM1 MODULE,W/ PROGRAMMING,TRU-BALANCE,ELEVATE(CONFIGURATION # 04)	1	\$211.54	\$539.44	
B2	DWR1265H017	ELECTRONIC,HARNESS,POWER SEAT,TRU-BALANCE TILT 2,H-1265-017	1	\$7.65	\$19.5	
B3	DWR1265H016	ELECTRONIC,HARNESS,POWER SEAT INHIBIT,CURTIS,TRU-BALANCE TILT 2,H-1265-016	1	\$20.48	\$52.23	
B4	SCRPPH1290	SCREW,PPH,BLACK ZINC,4-40 X 0.25"	2	\$1.1	\$2.81	
B5	DWR1111H311	ELECTRONIC,HARNESS,BUS EXTENSION CABLE,AAM/LM,H-1111-311,(CURTIS: 17881302-02)	1	\$28.31	\$72.2	
B6	SCRPPH1153	SCREW,PPH,BLACK ZINC,M4-.7 X 20MM	2	\$1.1	\$2.81	
C1	DWR1111H065	ELECTRONIC,HARNESS,BUS EXTENSION CABLE,CURTIS,0.410 METER,MALE/FEMALE,H-1111-065,(CURTIS: 17881303)	1	\$210	\$350	
D1	DWR1062D078	SHROUD,BREAKER MOUNT,BLACK,MOLDED ABS,D-1062-078	1	\$1.35	\$3.44	
E1	SCRPPH1036	SCREW,PPH,BLACK ZINC,M4-.7 X 8MM	2	\$1.1	\$2.81	
F1	CTLASMB7110060	CONTROLLER,Q-LOGIC (FW 2.73),CURTIS,ASSY,90 AMP,W/G4,6 MPH,160 RPM ACCU-TRAC PROGRAM,Q6 EDGE,QUANTUM	1	\$476.28	\$1214.51	
G1	ELEASMB7110170	ELECTRONIC,ASSY,AM1 MODULE (FW 1.16),W/ PROGRAMMING,TRU-BALANCE,ELEVATE(CONFIGURATION # 04)	1	\$211.55	\$539.44	

Notes :

Applicable to units manufactured prior to Serial Number JB616611306020.

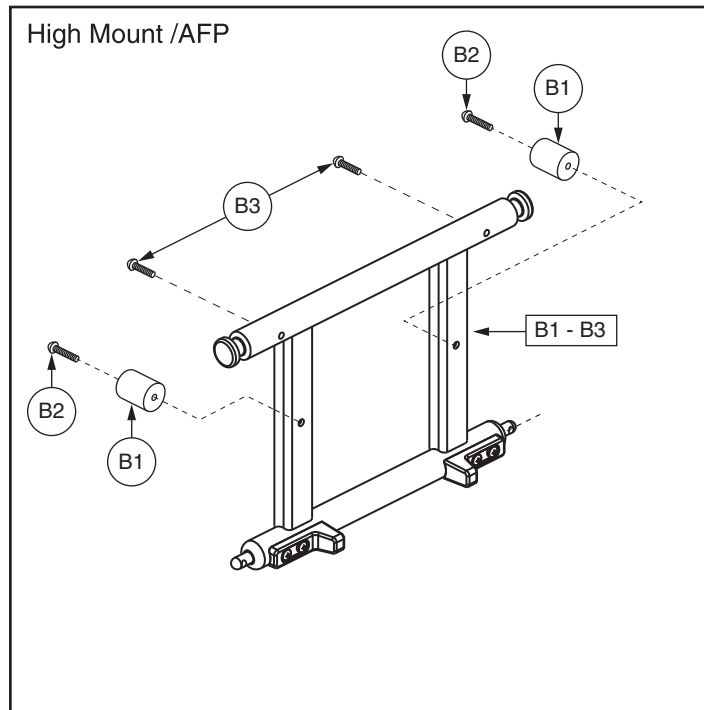
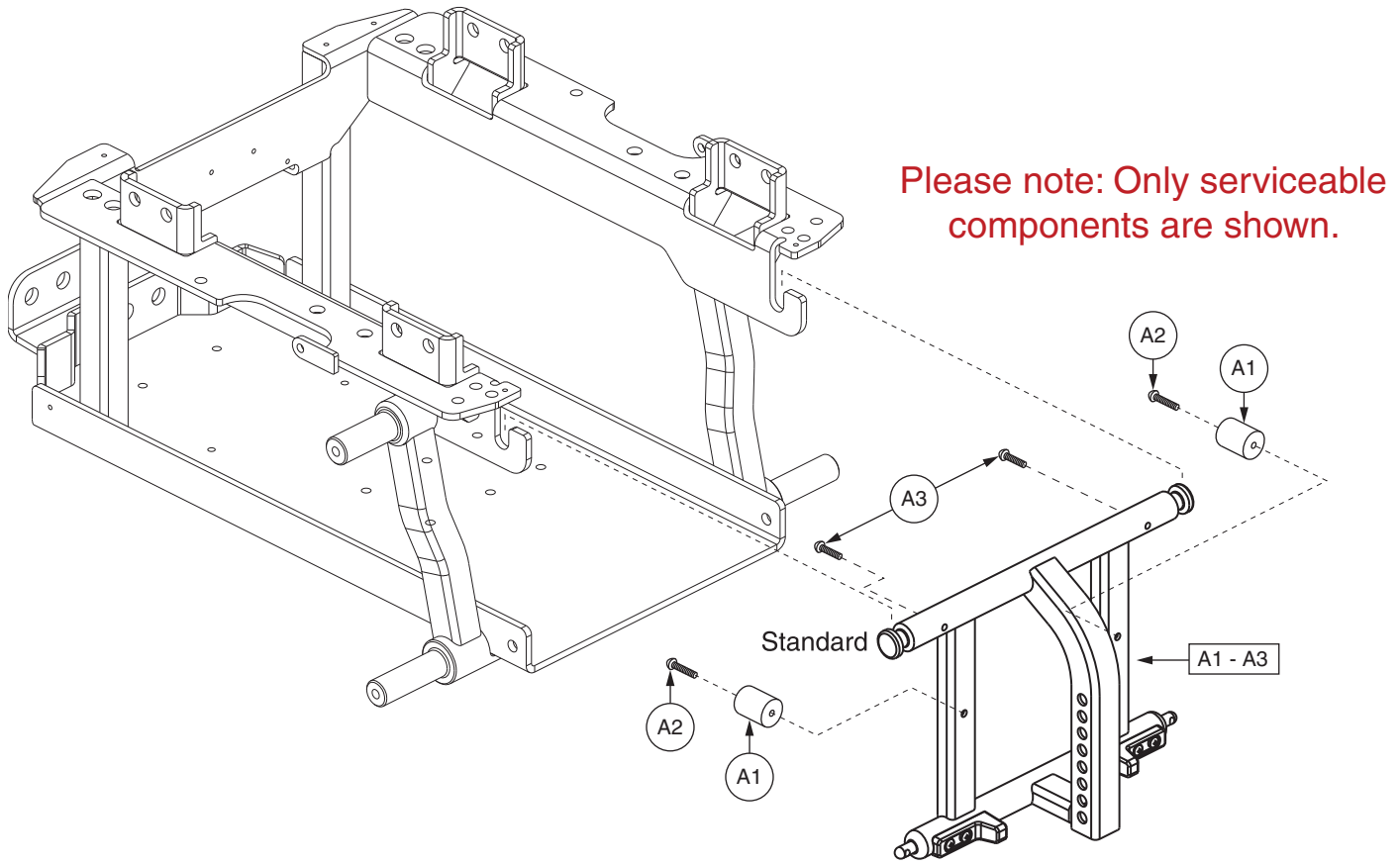


VIII. Footrest Assembly — Foot Platform

REF #	PART #	DESCRIPTION	QTY	Dealer \$	MSRP	11i
A1	FRMASMB16077	FOOT PLATFORM,ASSY,W/MOUNTING BRACKET,Q6 EDGE,D-1201-067	1	\$40.72	\$103.85	
B1	SCRHHCS1220	SCREW,HHCS,BLACK ZINC,M8-1.25 X 45MM,GRADE 10.9	2	\$1.1	\$2.81	
C1	WASMETR1029	WASHER,FLAT,BLACK ZINC,8.4MM ID X 16MM OD X 1.6MM TH,METRIC,GB96-8	2	\$1.1	\$2.81	
D1	NUTNYLK1011	NUT,NYLOCK,BLACK ZINC,M8-1.25	2	\$1.1	\$2.81	

Notes :

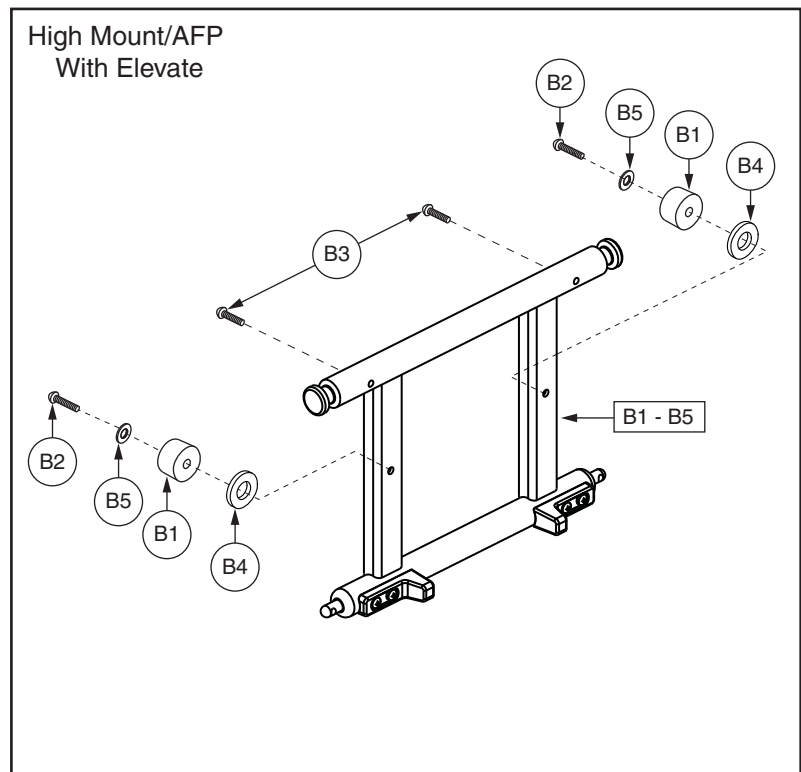
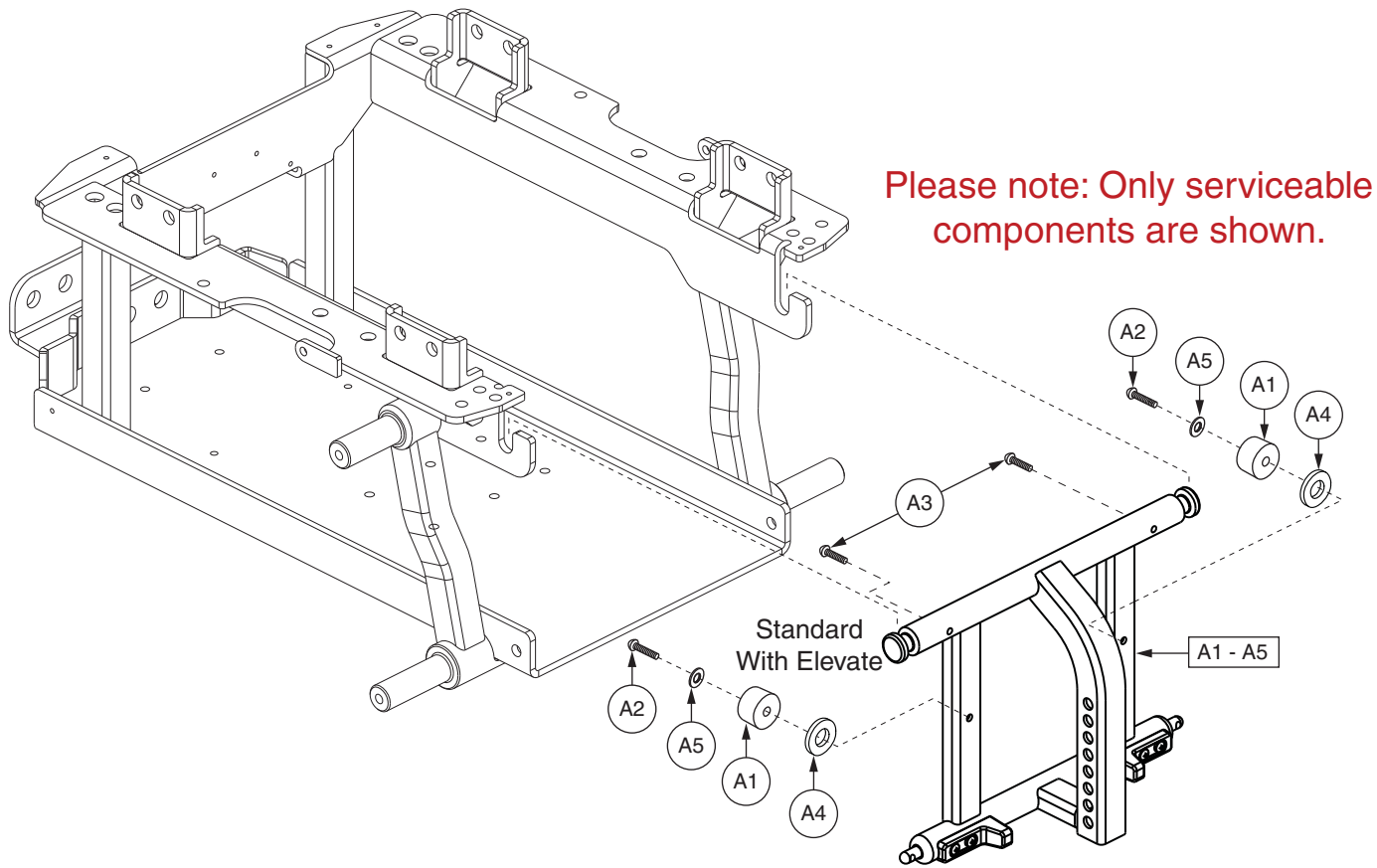
Only serviceable components are shown.



REF #	PART #	DESCRIPTION	QTY	Dealer \$	MSRP	11i
A1 - A3	FRMASMB16033	FRAME,ASSY,BATTERY ACCESS BRACKET,STANDARD,Q6 EDGE,C-1062-073	1	\$30.56	\$77.93	
A1	DWR1005B080	BUMPER,BLACK,RUBBER,0.80" OD,B-1005-080	2	\$1.1	\$2.81	
A2	SCRPPH1371	SCREW,PPH,ZINC,M4-.7 X 30MM	2	\$1.1	\$2.81	
A3	SCRPPH1103	SCREW,PPH,BLACK ZINC,M4-.7 X 25MM	2	\$1.1	\$2.81	
B1 - B3	FRMASMB16314	FRAME,ASSY,BATTERY ACCESS BRACKET,HIGH MOUNT/AFP,Q6 EDGE,C-1062-072	1	\$27.84	\$70.98	
B1	DWR1005B080	BUMPER,BLACK,RUBBER,0.80" OD,B-1005-080	2	\$1.1	\$2.81	
B2	SCRPPH1371	SCREW,PPH,ZINC,M4-.7 X 30MM	2	\$1.1	\$2.81	
B3	SCRPPH1103	SCREW,PPH,BLACK ZINC,M4-.7 X 25MM	2	\$1.1	\$2.81	

Notes :

Only serviceable components are shown.



VIII. Footrest Assembly — Battery Access Brackets, Power Seating

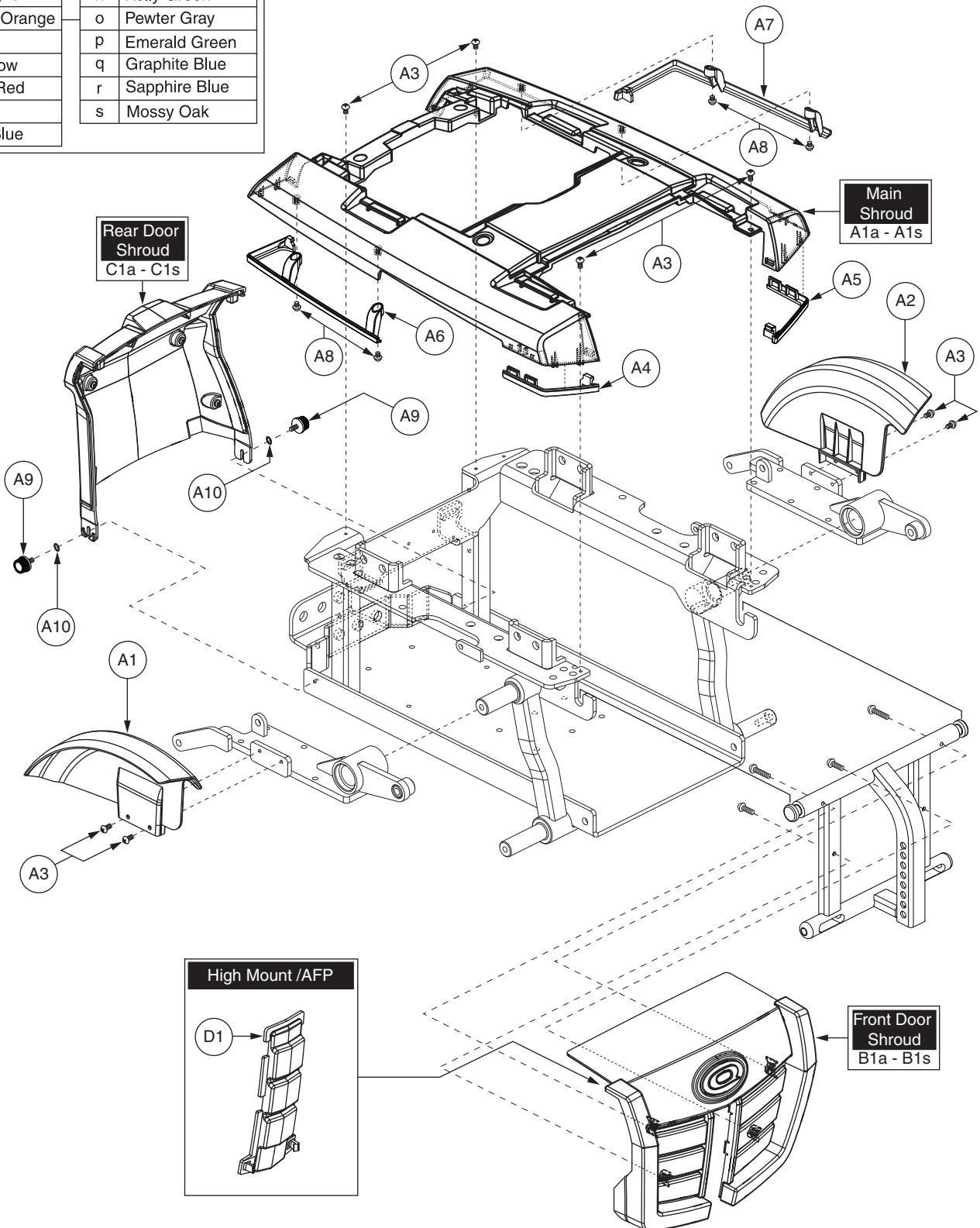
REF #	PART #	DESCRIPTION	QTY	Dealer \$	MSRP	11i
A1 - A5	FRMASMB16559	FRAME,ASSY,BATTERY ACCESS BRACKET,STANDARD W/ELEVATE,Q6 EDGE,C-1062-075	1	\$34.32	\$87.52	
A1	DWR1062C040	BUMPER,BLACK,MOLDED POLYURETHANE,6.5MM ID X 25MM OD,C-1062-040	2	\$1.38	\$3.51	
A2	SCRPPH1371	SCREW,PPH,ZINC,M4-.7 X 30MM	2	\$1.1	\$2.81	
A3	SCRPPH1103	SCREW,PPH,BLACK ZINC,M4-.7 X 25MM	2	\$1.1	\$2.81	
A4	DWR1360B086	WASHER,RUBBER,0.500"ID X 1.00"OD X 0.130"TH,W/ADHESIVE BACK,B-1360-086	2	\$1.1	\$2.81	
A5	WASSTND1039	WASHER, FLAT,ZINC,5MMID X 10MMOD X 1MMT	2	\$1.1	\$2.81	
B1 - B5	FRMASMB16560	FRAME,ASSY,BATTERY ACCESS BRACKET,HIGH MOUNT/AFP W/ELEVATE,Q6 EDGE,C-1062-074	1	\$32.01	\$81.64	
B1	DWR1062C040	BUMPER,BLACK,MOLDED POLYURETHANE,6.5MM ID X 25MM OD,C-1062-040	2	\$1.38	\$3.51	
B2	SCRPPH1371	SCREW,PPH,ZINC,M4-.7 X 30MM	2	\$1.1	\$2.81	
B3	SCRPPH1103	SCREW,PPH,BLACK ZINC,M4-.7 X 25MM	2	\$1.1	\$2.81	
B4	DWR1360B086	WASHER,RUBBER,0.500"ID X 1.00"OD X 0.130"TH,W/ADHESIVE BACK,B-1360-086	2	\$1.1	\$2.81	
B5	WASSTND1039	WASHER, FLAT,ZINC,5MMID X 10MMOD X 1MMT	2	\$1.1	\$2.81	

Notes :

Only serviceable components are shown.

IX. Shroud Assembly — Main

Painted Shroud Colors			
Main Shroud (A), Front Door (B), Rear Door (C)			
a	Candy Apple Red	k	Spring Green
b	Viper Blue	l	Pearl Pink
c	Black	m	Tangerine
d	Champagne	n	Kelly Green
e	Sunburst Orange	o	Pewter Gray
f	Silver	p	Emerald Green
g	Solar Yellow	q	Graphite Blue
h	Cardinal Red	r	Sapphire Blue
i	Violet	s	Mossy Oak
j	Mariner Blue		



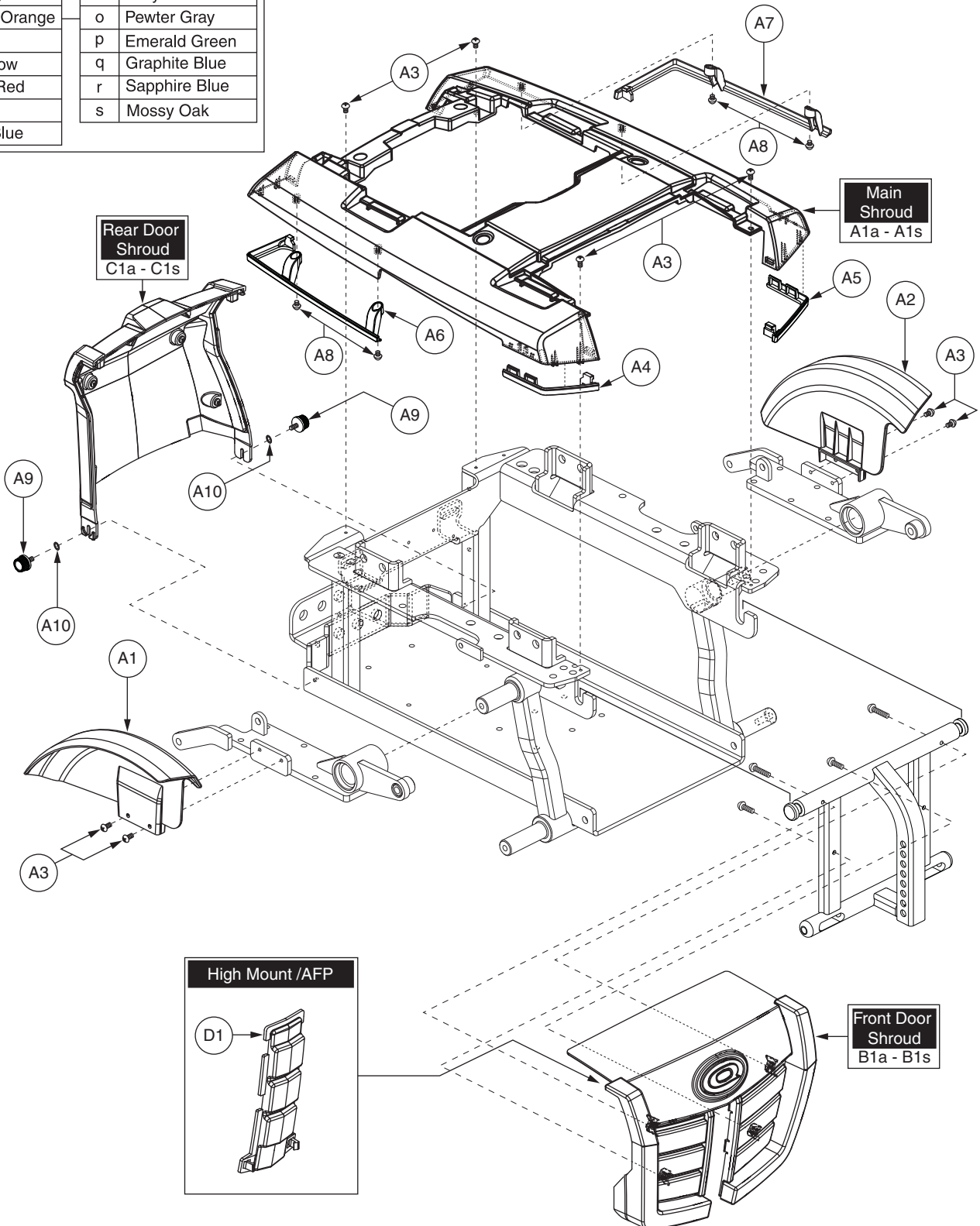
IX. Shroud Assembly — Main

REF #	PART #	DESCRIPTION	QTY	Dealer \$	MSRP	11i
A1a - C1a	SHDASMB5992	SHROUD,ASSY,CANDY APPLE RED,Q6 EDGE	1	\$153.81	\$392.22	
A1b - C1b	SHDASMB5993	SHROUD,ASSY,VIPER BLUE,Q6 EDGE	1	\$132.06	\$336.76	
A1c - C1c	SHDASMB5962	SHROUD,ASSY,BLACK,Q6 EDGE	1	\$132.06	\$336.76	
A1d - C1d	SHDASMB5963	SHROUD,ASSY,CHAMPAGNE,Q6 EDGE	1	\$107.61	\$274.42	
A1e - C1e	SHDASMB5964	SHROUD,ASSY,SUNBURST ORANGE,Q6 EDGE	1	\$139.89	\$356.73	
A1f - C1f	SHDASMB5965	SHROUD,ASSY,SILVER,Q6 EDGE	1	\$129.73	\$330.82	
A1g - C1g	SHDASMB5966	SHROUD,ASSY,SOLAR YELLOW,Q6 EDGE	1	\$132.06	\$336.76	
A1h - C1h	SHDASMB5967	SHROUD,ASSY,CARDINAL RED,Q6 EDGE	1	\$132.06	\$336.76	
A1i - C1i	SHDASMB5968	SHROUD,ASSY,VIOLET,Q6 EDGE	1	\$132.06	\$336.76	
A1j - C1j	SHDASMB5969	SHROUD,ASSY,MARINER BLUE,Q6 EDGE	1	\$132.06	\$336.76	
A1k - C1k	SHDASMB5970	SHROUD,ASSY,SPRING GREEN,Q6 EDGE	1	\$132.06	\$336.76	
A1l - C1l	SHDASMB5971	SHROUD,ASSY,PEARL PINK,Q6 EDGE	1	\$206.31	\$526.09	
A1m - C1m	SHDASMB5972	SHROUD,ASSY,TANGERINE,Q6 EDGE	1	\$132.06	\$336.76	
A1n - C1n	SHDASMB5973	SHROUD,ASSY,KELLY GREEN,Q6 EDGE	1	\$115.97	\$295.73	
A1o - C1o	SHDASMB5974	SHROUD,ASSY,PEWTER GRAY,Q6 EDGE	1	\$132.06	\$336.76	
A1p - C1p	SHDASMB5975	SHROUD,ASSY,EMERALD GREEN,Q6 EDGE	1	\$132.06	\$336.76	
A1q - C1q	SHDASMB5976	SHROUD,ASSY,GRAPHITE BLUE,Q6 EDGE	1	\$132.06	\$336.76	
A1r - C1r	SHDASMB5977	SHROUD,ASSY,SAPPHIRE BLUE,Q6 EDGE	1	\$132.06	\$336.76	
A1s - C1s	SHDASMB6339	SHROUD,ASSY,MOSSY OAK,Q6 EDGE	1	N/A	N/A	
A1	DWR1062D050	SHROUD,BLACK,FENDER,RIGHT,D-1062-050	1	\$4.6	\$11.74	
A2	DWR1062D051	SHROUD,BLACK,FENDER,LEFT,D-1062-051	1	\$4.6	\$11.74	
A3	SCRPPH1036	SCREW,PPH,BLACK ZINC,M4-.7 X 8MM	8	\$1.1	\$2.81	
A4	DWR1062E036	SHROUD,SIDE TRIM,BLACK,FRONT RIGHT,E-1062-036	1	\$1.24	\$3.17	
A5	DWR1062E037	SHROUD,SIDE TRIM,BLACK,FRONT LEFT,E-1062-037	1	\$1.24	\$3.17	
A6	DWR1062E081	SHROUD,SIDE TRIM,BLACK,REAR RIGHT,E-1062-081	1	\$1.48	\$3.78	
A7	DWR1062E080	SHROUD,SIDE TRIM,BLACK,REAR LEFT,W/BREAKER INSERT,E-1062-080	1	\$1.98	\$5.06	
A8	SCRPPH1388	SCREW,PPH,BLACK ZINC,M3-.5 X 6MM	4	\$1.1	\$2.81	
A9	PLSKNCP1056	KNOB,PLASTIC,M4-.7 X 12MM,KNURLED HEAD,TALL,C-1060-041	2	\$1.24	\$3.16	
A10	WASNEOP1003	WASHER,BLACK,NEOPRENE,3.20MM ID X 7.00MM OD X 1.90MM TH,O-RING	2	\$1.1	\$2.81	
B1a	SHDASMB5908	SHROUD,ASSY,FRONT DOOR,CANDY APPLE RED,E-1062-032	1	\$48.1	\$122.66	
B1b	SHDASMB5909	SHROUD,ASSY,FRONT DOOR,VIPER BLUE,E-1062-032	1	\$44.35	\$113.09	
B1c	SHDASMB5945	SHROUD,ASSY,FRONT DOOR,BLACK,E-1062-032	1	\$44.35	\$113.09	
B1d	SHDASMB5946	SHROUD,ASSY,FRONT DOOR,CHAMPAGNE,E-1062-032	1	\$44.35	\$113.09	
B1e	SHDASMB5947	SHROUD,ASSY,FRONT DOOR,SUNBURST ORANGE,E-1062-032	1	\$44.35	\$113.09	
B1f	SHDASMB5948	SHROUD,ASSY,FRONT DOOR,SILVER,E-1062-032	1	\$44.35	\$113.09	
B1g	SHDASMB5949	SHROUD,ASSY,FRONT DOOR,SOLAR YELLOW,E-1062-032	1	\$44.35	\$113.09	
B1h	SHDASMB5950	SHROUD,ASSY,FRONT DOOR,CARDINAL RED,E-1062-032	1	\$44.35	\$113.09	
B1i	SHDASMB5951	SHROUD,ASSY,FRONT DOOR,VIOLET,E-1062-032	1	\$44.35	\$113.09	
B1j	SHDASMB5952	SHROUD,ASSY,FRONT DOOR,MARINER BLUE,E-1062-032	1	\$44.35	\$113.09	
B1k	SHDASMB5953	SHROUD,ASSY,FRONT DOOR,SPRING GREEN,E-1062-032	1	\$44.35	\$113.09	
B1l	SHDASMB5954	SHROUD,ASSY,FRONT DOOR,PEARL PINK,E-1062-032	1	\$44.35	\$113.09	
B1m	SHDASMB5955	SHROUD,ASSY,FRONT DOOR,TANGERINE,E-1062-032	1	\$44.35	\$113.09	
B1n	SHDASMB5956	SHROUD,ASSY,FRONT DOOR,KELLY GREEN,E-1062-032	1	\$44.35	\$113.09	
B1o	SHDASMB5957	SHROUD,ASSY,FRONT DOOR,PEWTER GRAY,E-1062-032	1	\$44.35	\$113.09	

The parts list is continued on the subsequent pages.

IX. Shroud Assembly — Main

Painted Shroud Colors			
Main Shroud (A), Front Door (B), Rear Door (C)			
a	Candy Apple Red	k	Spring Green
b	Viper Blue	l	Pearl Pink
c	Black	m	Tangerine
d	Champagne	n	Kelly Green
e	Sunburst Orange	o	Pewter Gray
f	Silver	p	Emerald Green
g	Solar Yellow	q	Graphite Blue
h	Cardinal Red	r	Sapphire Blue
i	Violet	s	Mossy Oak
j	Mariner Blue		



IX. Shroud Assembly — Main

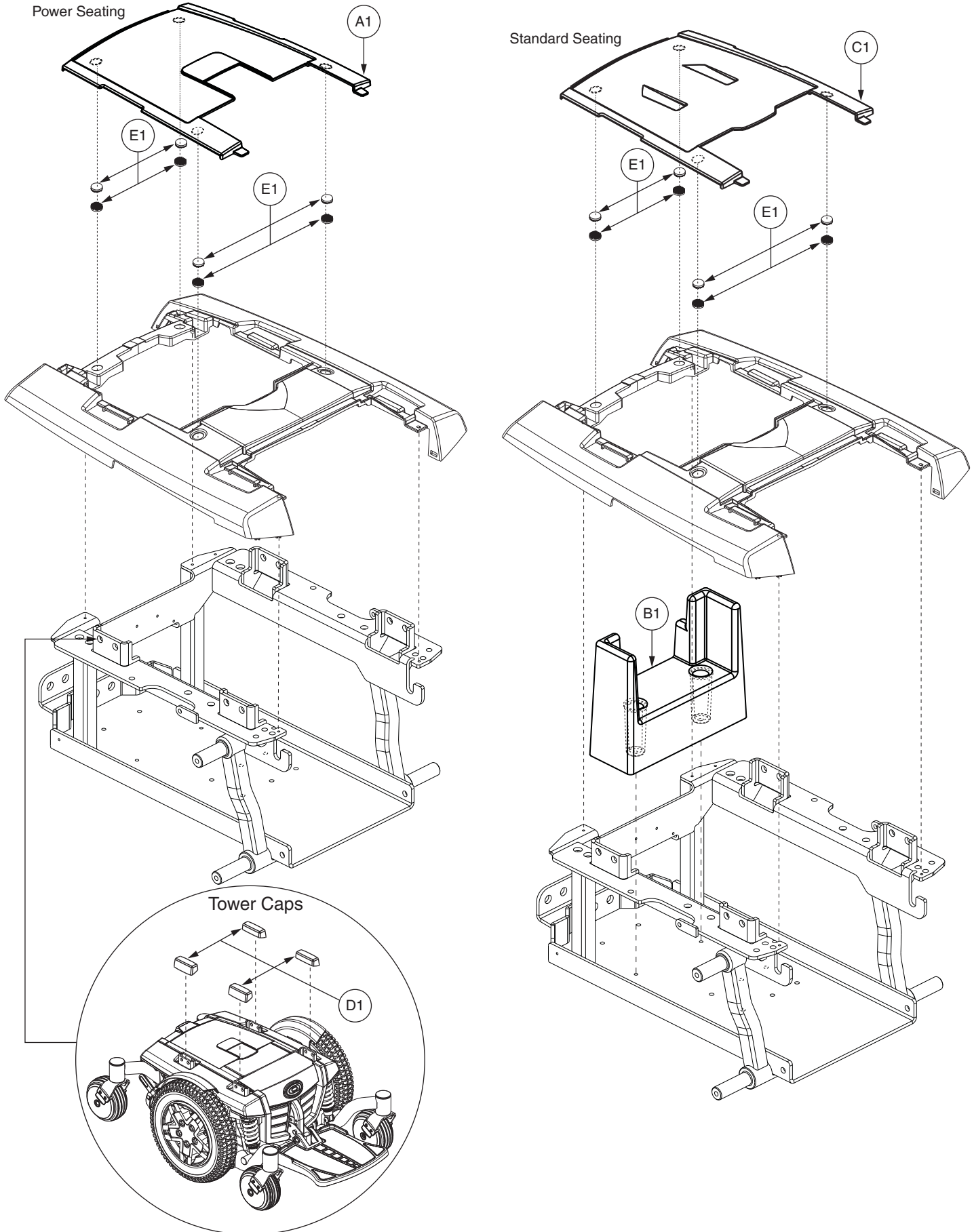
The parts list is continued from the previous pages.

REF #	PART #	DESCRIPTION	QTY	Dealer \$	MSRP	11i
B1p	SHDASMB5958	SHROUD,ASSY,FRONT DOOR,EMERALD GREEN,E-1062-032	1	\$44.35	\$113.09	
B1q	SHDASMB5959	SHROUD,ASSY,FRONT DOOR,GRAPHITE BLUE,E-1062-032	1	\$44.35	\$113.09	
B1r	SHDASMB5960	SHROUD,ASSY,FRONT DOOR,SAPPHIRE BLUE,E-1062-032	1	\$44.35	\$113.09	
B1s	SHDASMB6340	SHROUD,ASSY,FRONT DOOR,MOSSY OAK,E-1062-032	1	N/A	N/A	
C1a	SHDASMB5906	SHROUD,ASSY,REAR DOOR,CANDY APPLE RED,E-1062-035	1	\$31.62	\$80.63	
C1b	SHDASMB5907	SHROUD,ASSY,REAR DOOR,VIPER BLUE,E-1062-035	1	\$27.54	\$70.23	
C1c	SHDASMB5928	SHROUD,ASSY,REAR DOOR,BLACK,E-1062-035	1	\$27.54	\$70.23	
C1d	SHDASMB5929	SHROUD,ASSY,REAR DOOR,CHAMPAGNE,E-1062-035	1	\$27.54	\$70.23	
C1e	SHDASMB5930	SHROUD,ASSY,REAR DOOR,SUNBURST ORANGE,E-1062-035	1	\$31.62	\$80.63	
C1f	SHDASMB5931	SHROUD,ASSY,REAR DOOR,SILVER,E-1062-035	1	\$27.54	\$70.23	
C1g	SHDASMB5932	SHROUD,ASSY,REAR DOOR,SOLAR YELLOW,E-1062-035	1	\$27.54	\$70.23	
C1h	SHDASMB5933	SHROUD,ASSY,REAR DOOR,CARDINAL RED,E-1062-035	1	\$27.54	\$70.23	
C1i	SHDASMB5934	SHROUD,ASSY,REAR DOOR,VIOLET,E-1062-035	1	\$27.54	\$70.23	
C1j	SHDASMB5935	SHROUD,ASSY,REAR DOOR,MARINER BLUE,E-1062-035	1	\$27.54	\$70.23	
C1k	SHDASMB5936	SHROUD,ASSY,REAR DOOR,SPRING GREEN,E-1062-035	1	\$27.54	\$70.23	
C1l	SHDASMB5937	SHROUD,ASSY,REAR DOOR,PEARL PINK,E-1062-035	1	\$35.59	\$90.75	
C1m	SHDASMB5938	SHROUD,ASSY,REAR DOOR,TANGERINE,E-1062-035	1	\$27.54	\$70.23	
C1n	SHDASMB5939	SHROUD,ASSY,REAR DOOR,KELLY GREEN,E-1062-035	1	\$27.54	\$70.23	
C1o	SHDASMB5940	SHROUD,ASSY,REAR DOOR,PEWTER GRAY,E-1062-035	1	\$27.54	\$70.23	
C1p	SHDASMB5941	SHROUD,ASSY,REAR DOOR,EMERALD GREEN,E-1062-035	1	\$27.54	\$70.23	
C1q	SHDASMB5942	SHROUD,ASSY,REAR DOOR,GRAPHITE BLUE,E-1062-035	1	\$27.54	\$70.23	
C1r	SHDASMB5943	SHROUD,ASSY,REAR DOOR,SAPPHIRE BLUE,E-1062-035	1	\$27.54	\$70.23	
C1s	SHDASMB6341	SHROUD,ASSY,REAR DOOR,MOSSY OAK,E-1062-035	1	\$151.76	\$386.99	
D1	DWR1062D072	SHROUD,FRONT DOOR CAP,BLACK,D-1062-072	1	\$1.72	\$4.39	

Notes :

Top-level assemblies with lower-case letters designate individual color options. Painted shrouds are not available individually. The assembly must be purchased.

Please note: Only serviceable components are shown.



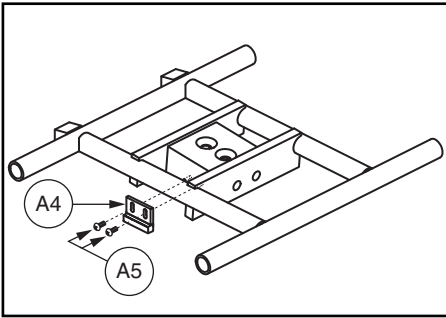
IX. Shroud Assembly — Center Panels

REF #	PART #	DESCRIPTION	QTY	Dealer \$	MSRP	11i
A1	SHDASMB6044	SHROUD,ASSY,CENTER PANEL,POWER SEAT,Q6 EDGE	1	\$14.87	\$37.92	
B1	SHDASMB6069	SHROUD,ASSY,BATTERY SPACER,Q6 EDGE	1	\$13.71	\$34.95	
C1	SHDASMB6043	SHROUD,ASSY,CENTER PANEL,STANDARD,Q6 EDGE	1	\$12.17	\$31.04	
D1	DWR1062D096	COVER,TOWER CAP,Q6EDGE,D-1062-096	4	\$2.06	\$5.26	
E1	VELMUSH1016	REUSABLE FASTENER,MUSHROOM,15MM OD,W/ADHESIVE BACK	1	\$1.1	\$2.81	

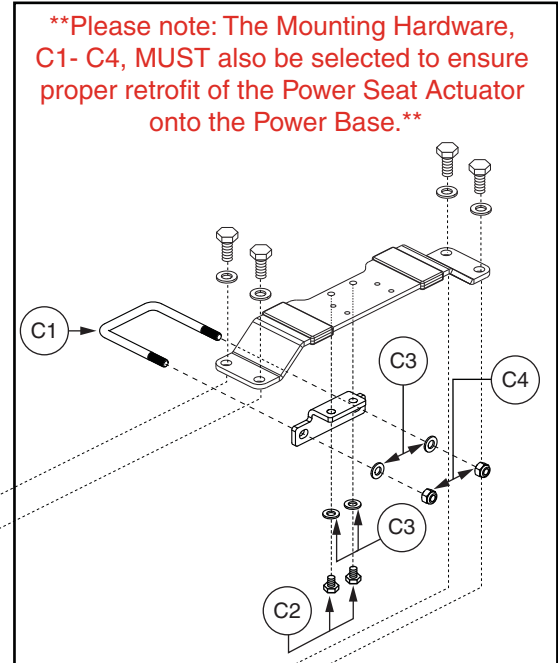
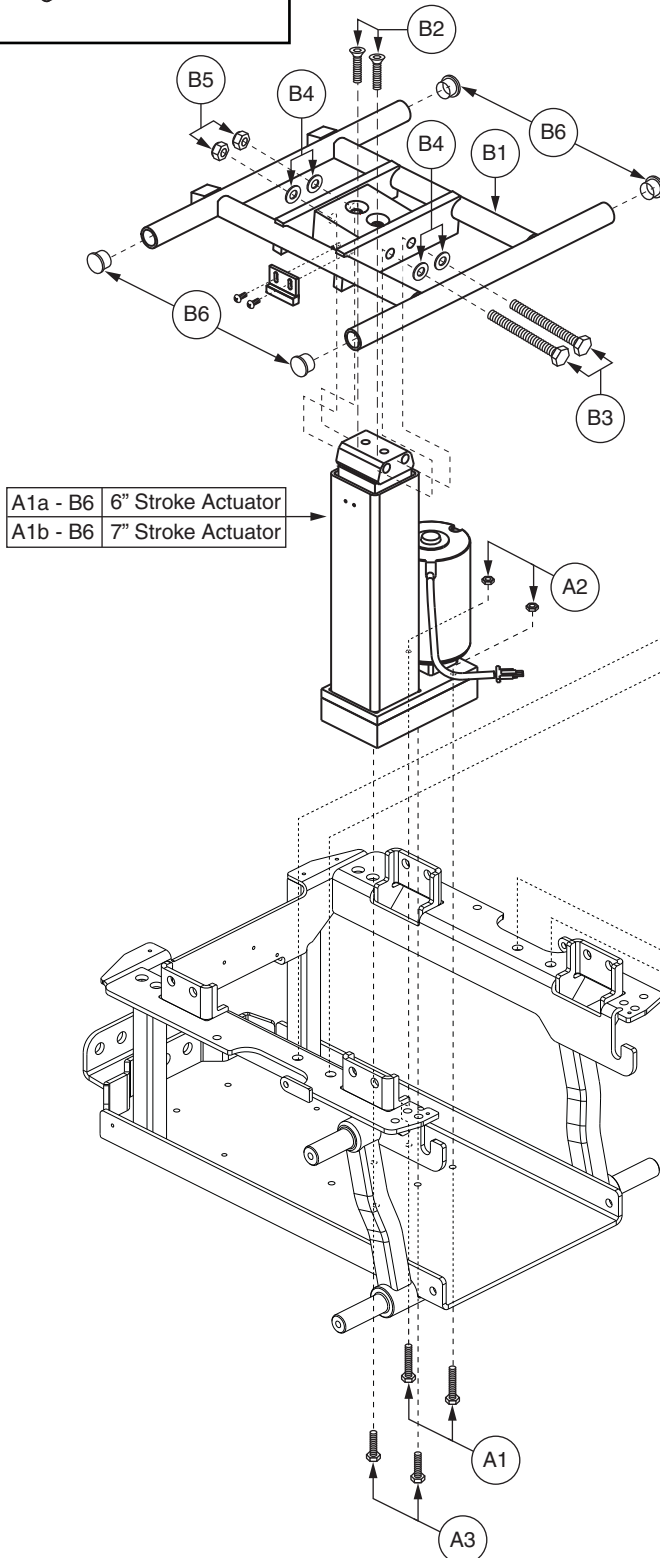
Notes :

Only serviceable components are shown.

REF #	PART #	DESCRIPTION	QTY	Dealer	MSRP
-------	--------	-------------	-----	--------	------



Please note: Only serviceable components are shown.



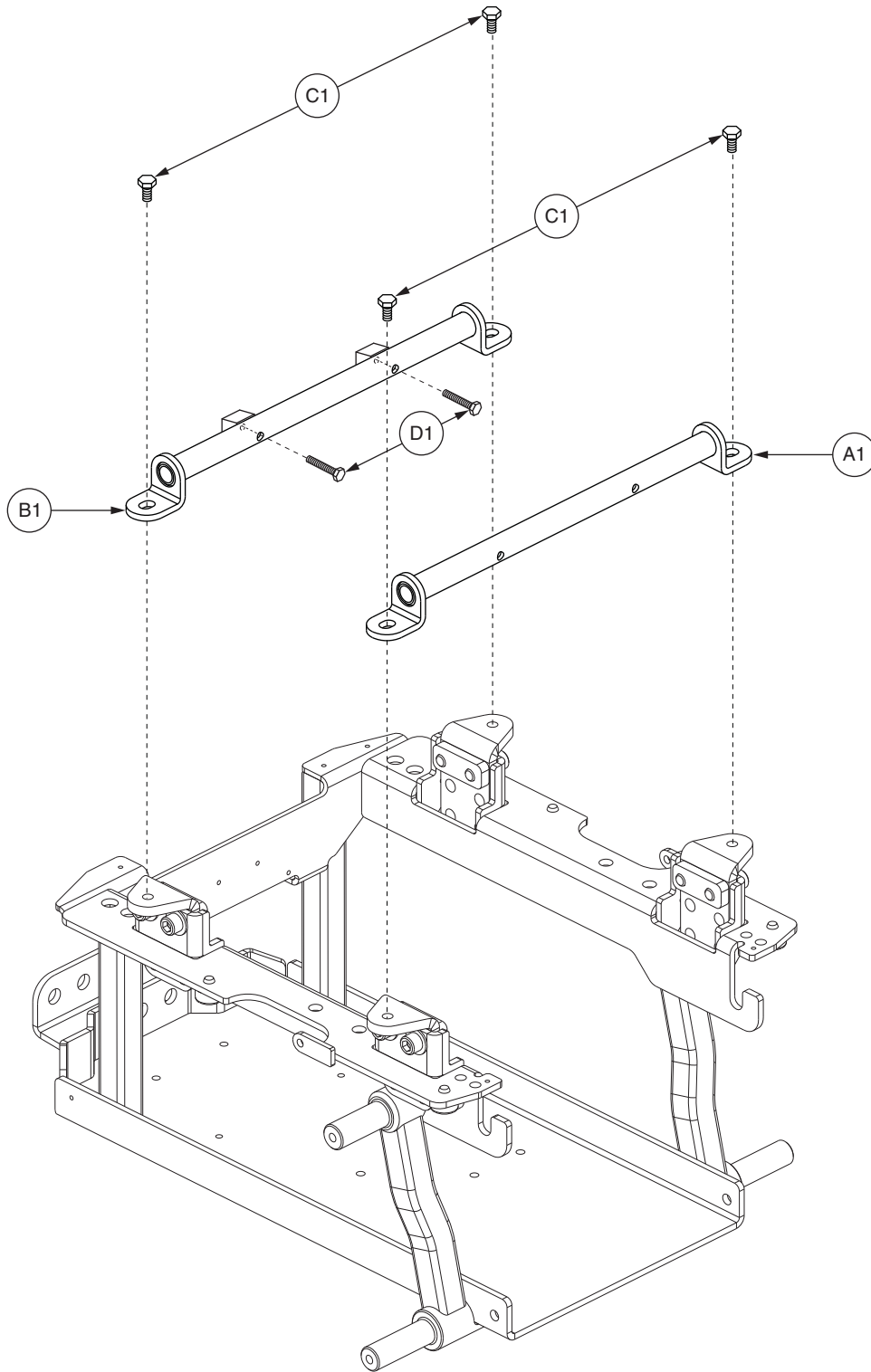
X. TRU-Balance Power Seat Assembly

REF #	PART #	DESCRIPTION	QTY	Dealer \$	11i MSRP
A1a - B6	FRMASMB16309	ACTUATOR,ASSY,POWER SEAT,6" STROKE,W/TAPERED HEAD,Q6 EDGE,W/UNIVERSAL INTERFACE	1	\$1077.45	\$2747.5
A1b - B6	FRMASMB16310	ACTUATOR,ASSY,POWER SEAT,7" STROKE,W/TAPERED HEAD,Q6 EDGE,W/UNIVERSAL INTERFACE	1	\$1090.71	\$2781.3
A1a - A5	FRMASMB16311	ACTUATOR,ASSY,POWER SEAT,6" STROKE,W/TAPERED HEAD,Q6 EDGE	1	\$848.94	\$2164.81
A1b - A5	FRMASMB16312	ACTUATOR,ASSY,POWER SEAT,7" STROKE,W/TAPERED HEAD,Q6 EDGE	1	\$868.31	\$2214.2
A1	SCRHHCS1489	SCREW, HHCS, BLACK ZINC, 1/4-20 X 1.75", GRADE 8, W/NYLON PATCH, B-1005-139	2	\$1.1	\$2.81
A2	NUTNJAM1014	NUT, NYLOCK JAM, BLACK ZINC, 1/4-20	2	\$1.1	\$2.81
A3	SCRHHCS1493	SCREW, HHCS, BLACK ZINC, 1/4-20 X 1.50", GRADE 8, W/NYLON PATCH, B-1005-149	2	\$1.1	\$2.81
A4	SWTMAGN1001	ELECTRONIC, SWITCH, HERMETIC, PRX +8100	1	\$4.41	\$11.25
A5	SCRPPH1290	SCREW, PPH, BLACK ZINC, 4-40 X 0.25"	2	\$1.1	\$2.81
B1 - B6	FRMASMB9428	SEAT BASE, ASSY, POWER SEAT INTERFACE FOR UNIVERSAL SEATING, QUANTUM6000	1	\$238.14	\$607.26
B1	DWR1368E014	POWER SEAT INTERFACE WELDMENT, UNIVERSAL, QUANTUM6000, E-1368-014	1	\$238.14	\$607.26
B2	SCRSHFH1191	SCREW, SHFH, BLACK ZINC, 3/8-16 X 1.75", W/NYLON PATCH, (UNBRAKO: 10464)	2	\$1.1	\$2.81
B3	SCRHHCS1249	SCREW, HHCS, BLACK ZINC, 5/16-18 X 3.75", GRADE 8	2	\$1.1	\$2.81
B4	WASSAE1002	WASHER, FLAT, ZINC, 5/16, 0.3437" ID X 0.6875" OD X 0.0625" TH, SAE	4	\$1.1	\$2.81
B5	NUTNYLK1026	NUT, NYLOCK, BLACK ZINC, 5/16-18	2	\$1.24	\$3.15
B6	PROECAP1014	CAP, END, BLACK, PLASTIC, 19MM OD, FITS 15MM ID TUBING, ROUND, B-9940-014	4	\$1.1	\$2.81
C1 - C4	FRMASMB15971	FRAME, ASSY, POWER SEAT ACTUATOR MOUNT, C-1062-049	1	\$5.79	\$14.77
C1	DWR1059B026	U-BOLT, M8-1.25, B-1059-026	1	\$1.1	\$2.81
C2	SCRHHCS1382	SCREW, HHCS, BLACK ZINC CHROMATE, M8-1.25 X 12MM, GRADE 12.9	2	\$1.1	\$2.81
C3	WASMETR1029	WASHER, FLAT, BLACK ZINC, 8.4MM ID X 16MM OD X 1.6MM TH, METRIC, GB96-8	4	\$1.1	\$2.81
C4	NUTNYLK1011	NUT, NYLOCK, BLACK ZINC, M8-1.25	2	\$1.1	\$2.81

Notes :

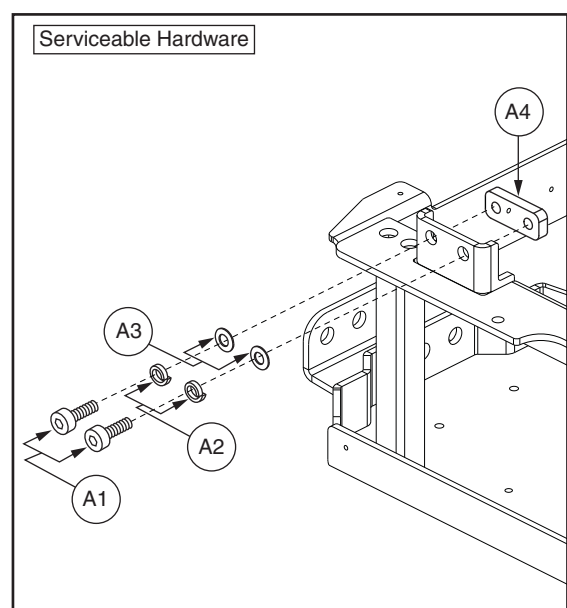
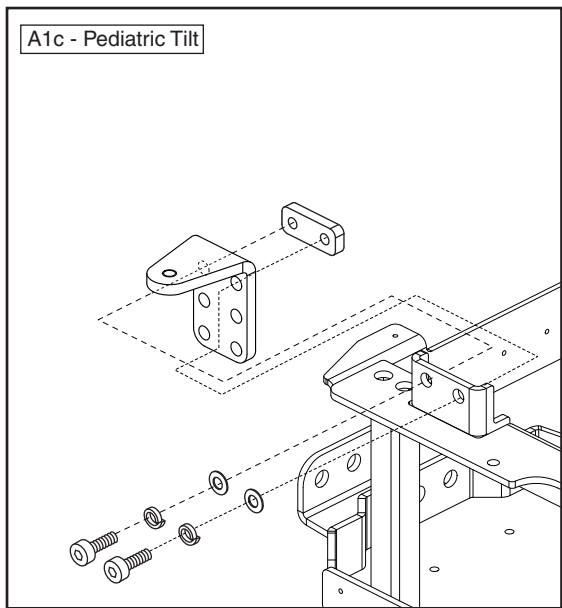
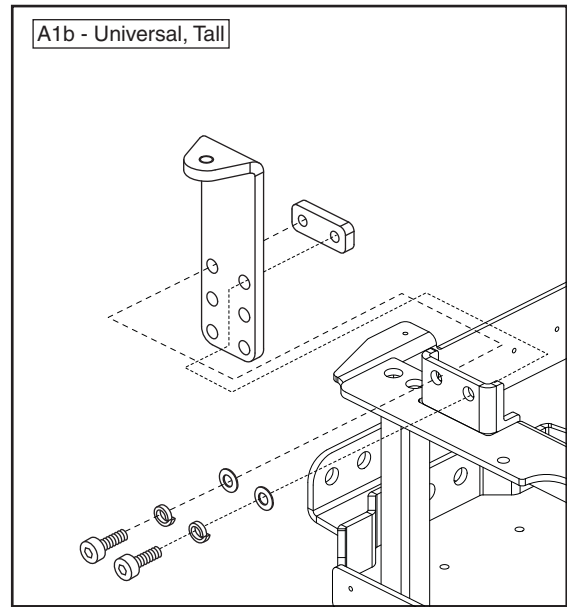
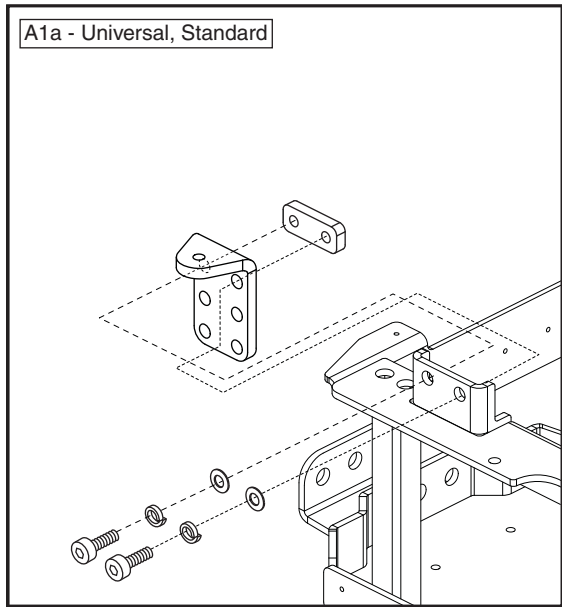
FRMASMB16309 and FRMASMB16310 contain identical parts. There are two separate part numbers to represent 6" and 7" actuators designated by lower-case letters.

XI. Seat Tower Assembly — Trapeze Bars



REF #	PART #	DESCRIPTION	QTY	Dealer \$	MSRP	11i
A1 - B1	FRMASMB16167	SEAT TOWER,ASSY,14.00" CENTERS,TRAPEZE BARS,PAIR	1	\$18.89	\$48.17	
A1	FRMASMB16165	SEAT TOWER,ASSY,14.00" CENTERS,FRONT TRAPEZE BAR	1	\$9.45	\$24.09	
B1	FRMASMB16166	SEAT TOWER,ASSY,14.00" CENTERS,REAR TRAPEZE BAR	1	\$17.36	\$44.26	
C1	SCRHHCS1247	SCREW,HHCS,BLACK ZINC,3/8-16 X 0.50",GRADE 8	1	\$1.1	\$2.81	
D1	SCRHHCS1188	SCREW,HHCS,BLACK ZINC,1/4-20 X 1.25",GRADE 5	1	\$1.1	\$2.81	

Please note: Only serviceable components are shown.

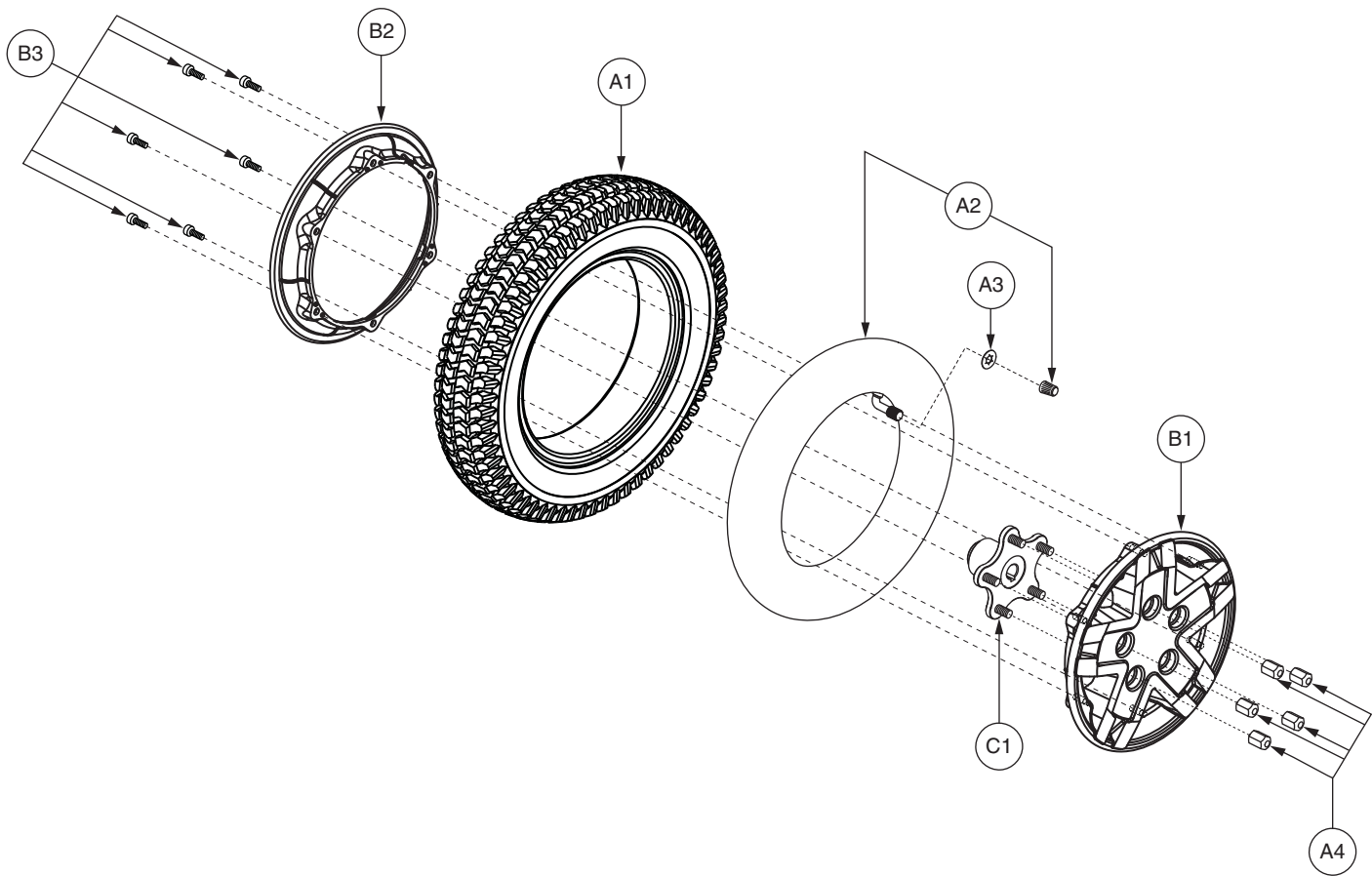


REF #	PART #	DESCRIPTION	QTY	Dealer \$	11i MSRP
A1a - A4	FRMASMB16029	SEAT MOUNT CONNECTOR,ASSY,L-BRACKET,UNIVERSAL,Q6EDGE,C-1062-041	1	\$8.57	\$21.86
A1b - A4	FRMASMB16168	SEAT MOUNT CONNECTOR,ASSY,L-BRACKET,UNIVERSAL,TALL,Q6EDGE	1	\$14.57	\$37.16
A1c - A4	FRMASMB16169	SEAT MOUNT CONNECTOR,ASSY,L-BRACKET,PEDIATRIC TILT,Q6EDGE	1	\$11.1	\$28.3
A1	SCRSHCS1302	SCREW,SHCS,BLACK ZINC,3/8-16 X 1.00",GRADE 8,W/NYLON PATCH	2	\$1.1	\$2.81
A2	WASLOCK1014	WASHER, LOCK,BLACK ZINC,3/8"ID X 9/16"OD X 1/8"T	2	\$1.1	\$2.81
A3	WASSAE1006	WASHER,FLAT,BLACK ZINC,3/8,SAE	2	\$1.1	\$2.81
A4	DWR1062C036	MOUNTING BRACKET,SEAT INTERFACE BACK PLATE,THREADED,C-1062-036	1	\$1.45	\$3.71

Notes :

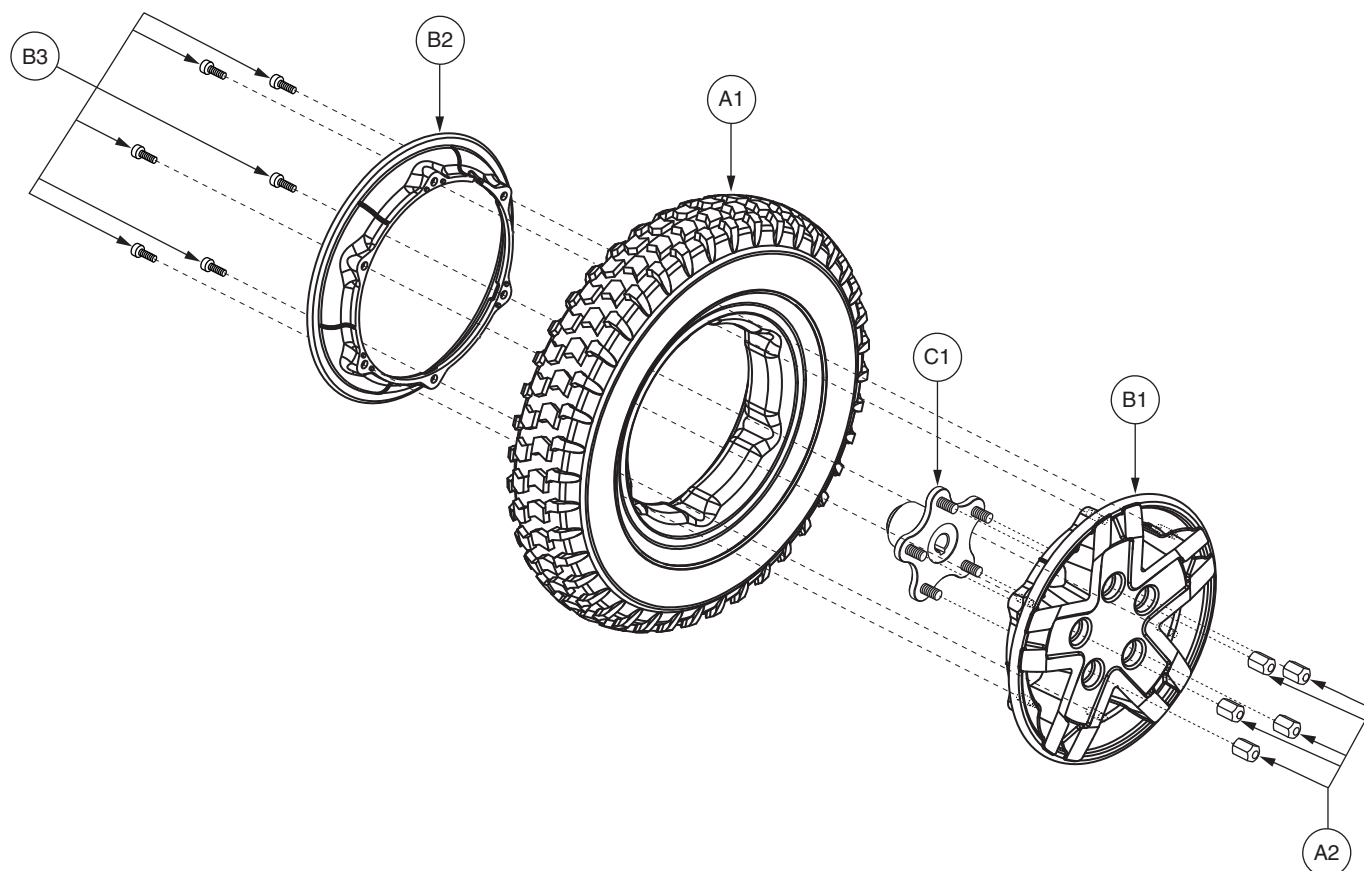
Please note: Only serviceable components are shown. Top-level assemblies are specific according to the type of seat on the chair. Please specify when ordering.

XII. Drive Wheel Assembly — 5 Spoke Silver Rim, Pneumatic



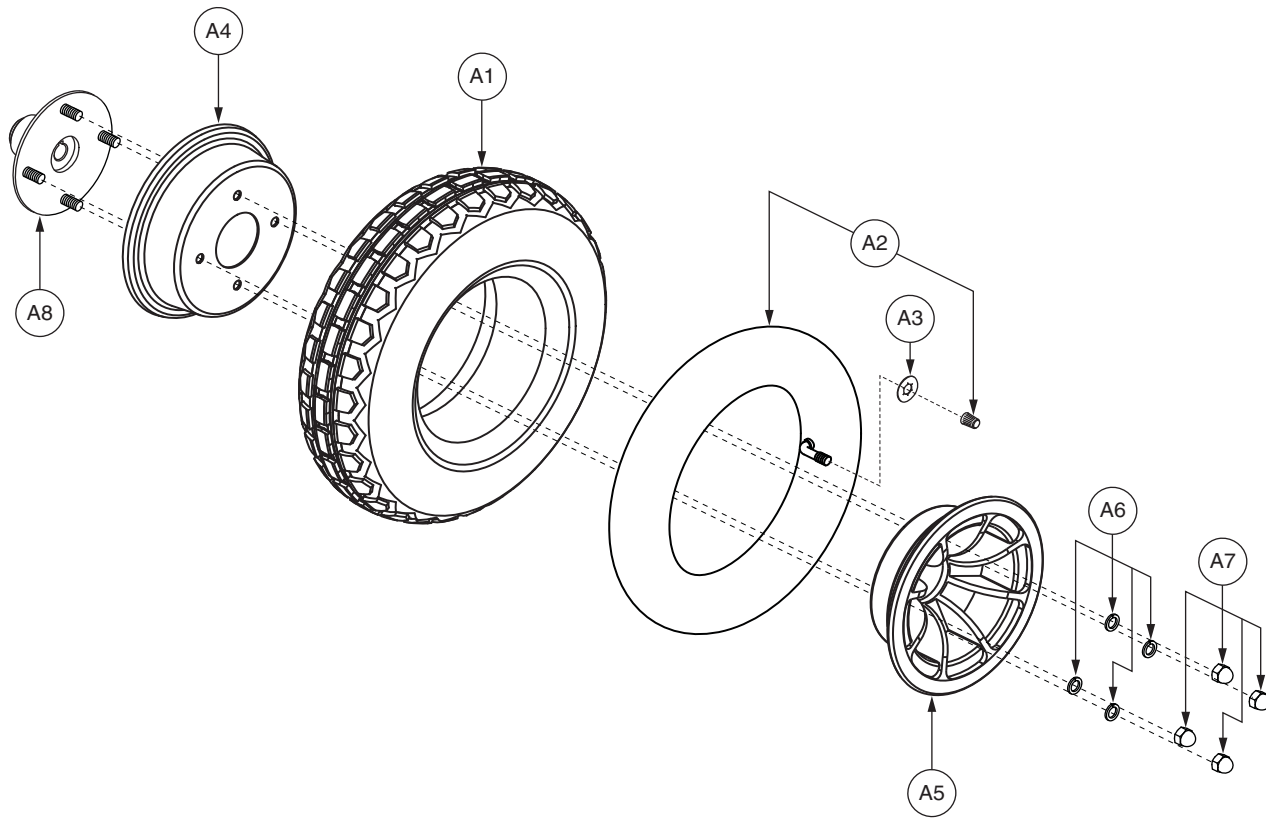
REF #	PART #	DESCRIPTION	QTY	Dealer \$	MSRP	11i
A1 - B3	WHLASMB2122	WHEEL, ASSY, PNEUMATIC, SILVER RIM/GRAY TIRE, 14", 5 SPOKE, W/LUGNUTS, E-1203-051	1	\$75.66	\$192.93	
A1	TIRPNEU1004	TIRE, PNEUMATIC, GRAY, 3.00-8 X 14", C-248-5	1	\$22.32	\$56.92	
A2	TUBSTND1002	TUBE, 300-8, ANGLED VALVE W/CAP	1	\$9.82	\$25.04	
A3	DWR7700A010	SLIP COVER, VALVE STEM, 35PSI, 2.4 BAR, MAX RATING, A-7700-010	1	\$1.1	\$2.81	
A4	DWR1005B049	NUT, LUG, ZINC, 5/16-24, B-1005-049	5	\$1.32	\$3.37	
B1 - B3	WHLASMB2095	WHEEL, ASSY, RIM, SILVER, ALUMINUM, 8", 5 SPOKE, MACHINED FACE, D-1203-071	1	N/A	N/A	
B1	DWR1203E041A	WHEEL, RIM, SILVER, ALUMINUM, 8", 5 SPOKE, MACHINED FACED, OUTER, E-1203-041	1	N/A	N/A	
B2	DWR1133E025B	WHEEL, RIM, SILVER, ALUMINUM, 8", TRI-SPOKE, INNER, E-1133-025	1	\$7.06	\$18	
B3	SCRSHCS1175	SCREW, SHCS, BLACK ZINC, M6-1.0 X 20MM	6	\$1.1	\$2.81	
C1	WHLASMB2081	WHEEL, ASSY, HUB, 5 SPOKE, W/STUDS, G4 MOTORS, B-1203-010	1	\$15.53	\$39.6	

XII. Drive Wheel Assembly — 5 Spoke Silver Rim, Flat-free



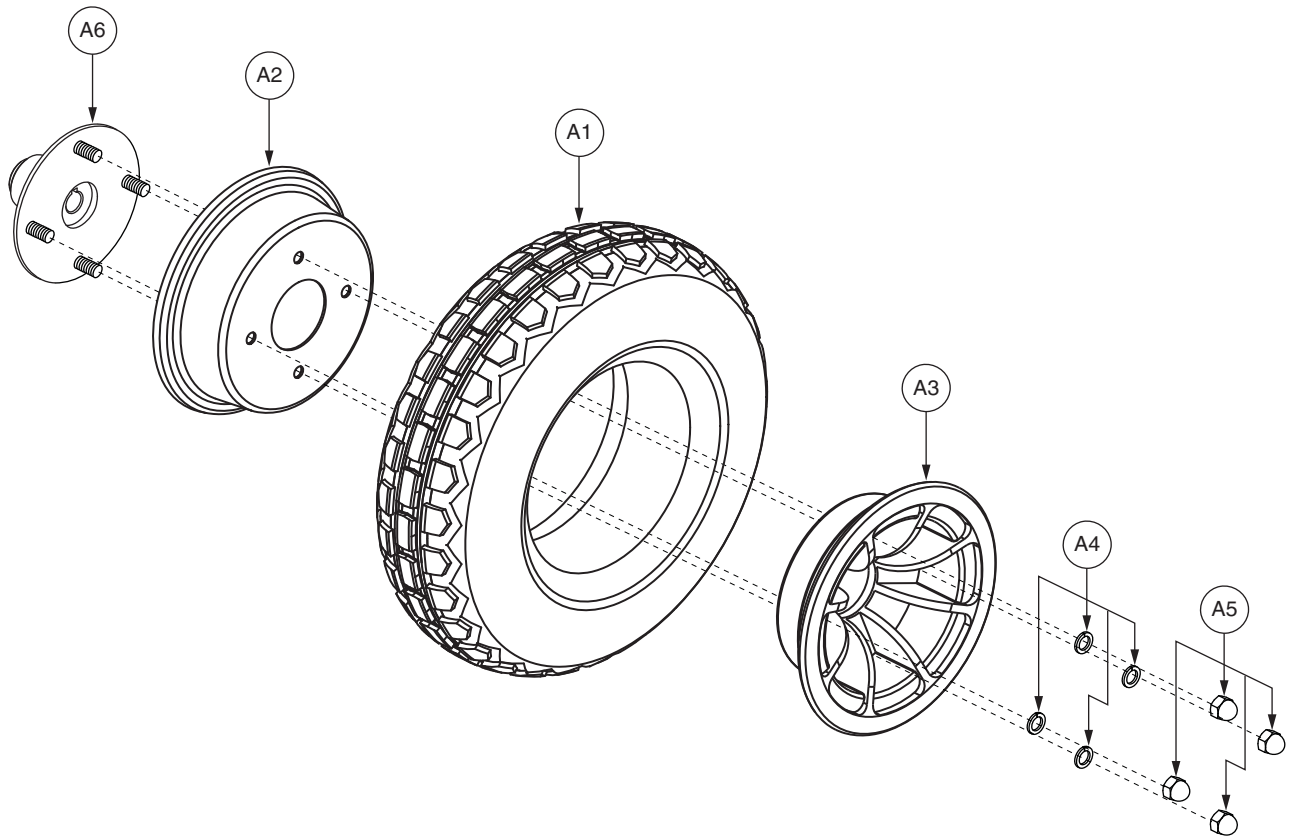
REF #	PART #	DESCRIPTION	QTY	Dealer \$	MSRP	11i
A1 - B3	WHLASMB2093	WHEEL,ASSY,FLAT FREE,SILVER RIM/GRAY TIRE,14",5 SPOKE,W/LUGNUTS,E-1203-043	1	\$103.14	\$263.01	
A1	TIRSOLI1075	TIRE,W/FLAT FREE INSERT,GRAY,3.00-8 X 14",5 SPOKE,PRIMO POWERTRAX,C-248,(GALLOP: 5508018 YT57)	1	\$56.3	\$143.57	
A2	DWR1005B049	NUT,LUG,ZINC,5/16-24,B-1005-049	5	\$1.32	\$3.37	
B1 - B3	WHLASMB2095	WHEEL,ASSY,RIM,SILVER,ALUMINUM,8",5 SPOKE,MACHINED FACE,D-1203-071	1	N/A	N/A	
B1	DWR1203E041A	WHEEL,RIM,SILVER,ALUMINUM,8",5 SPOKE,MACHINED FACED,OUTER,E-1203-041	1	N/A	N/A	
B2	DWR1133E025B	WHEEL,RIM,SILVER,ALUMINUM,8",TRI-SPOKE,INNER,E-1133-025	1	\$7.06	\$18	
B3	SCRSHCS1175	SCREW,SHCS,BLACK ZINC,M6-1.0 X 20MM	6	\$1.1	\$2.81	
C1	WHLASMB2081	WHEEL,ASSY,HUB,5 SPOKE,W/STUDS,G4 MOTORS,B-1203-010	1	\$15.53	\$39.6	

XII. Drive Wheel Assembly — 4 Spoke Black Rim, Pneumatic



REF #	PART #	DESCRIPTION	QTY	Dealer \$	MSRP	11i
A1 - A8	WHLASMB2136	WHEEL, ASSY, PNEUMATIC, BLACK RIM/GRAY TIRE, 14" X 4", 4 SPOKE, KNOBBY TREAD, W/G4 HUB & LUGNUTS, E-1203-057	1	\$108.06	\$275.55	
A1	TIRPNEU1058	TIRE, PNEUMATIC, GRAY, 4.00-6 X 14", KNOBBY TREAD C166, 36 PSI, (TAG: RP265087)	1	\$27.84	\$70.98	
A2	TUBSTND1043	TIRE, TUBE, 4.00-6, 90 DEGREE VALVE STEM, (TAG: 163265)	1	\$11.96	\$30.5	
A3	DWR7700A010	SLIP COVER, VALVE STEM, 35PSI, 2.4 BAR, MAX RATING, A-7700-010	1	\$1.1	\$2.81	
A4	WHLRIMS1012	WHEEL, RIM, BLACK, 6", REAR, INTERIOR, XL	1	\$14.33	\$36.55	
A5	WHLRIMS1032	WHEEL, RIM, BLACK, 7" X 2.5" DEEP, REAR, INTERIOR	1	\$53.95	\$137.57	
A6	WASLOCK1011	WASHER, LOCK, ZINC, 3/8" ID X 9/16" OD X 1/8" T	4	\$1.1	\$2.81	
A7	NUTACRN1005	NUT, ACORN, ZINC, 3/8-24	4	\$1.1	\$2.81	
A8	WHLASMB2133	WHEEL, ASSY, HUB, 4 SPOKE, W/STUDS, G4 MOTORS, D-1203-083	1	\$11.59	\$29.56	

XII. Drive Wheel Assembly — 4 Spoke Black Rim, Flat-free



REF #	PART #	DESCRIPTION	QTY	Dealer \$	11i MSRP
A1 - A6	WHLASMB2087	WHEEL,ASSY,FLAT FREE,BLACK RIM/GRAY TIRE,14" X 4",4 SPOKE,KNOBBY TREAD,W/G4 HUB & LUGNUTS,E-1203-038	1	\$112.54	\$286.98
A1	TIRSOLI1092	TIRE,SOLID,GRAY,400-6,14" X 4",FOAM FILLED RUBBER,KNOBBY TREAD,(TAG: 114292)	1	\$78.53	\$200.26
A2	WHLRIMS1012	WHEEL,RIM,BLACK,6",REAR, INTERIOR, XL	1	\$14.33	\$36.55
A3	WHLRIMS1032	WHEEL,RIM,BLACK,7" X 2.5"DEEP,REAR, INTERIOR	1	\$53.95	\$137.57
A4	WASLOCK1011	WASHER,LOCK,ZINC,3/8"ID X 9/16"OD X 1/8"T	4	\$1.1	\$2.81
A5	NUTACRN1005	NUT,ACORN,ZINC,3/8-24	4	\$1.1	\$2.81
A6	WHLASMB2133	WHEEL,ASSY,HUB,4 SPOKE,W/STUDS,G4 MOTORS,D-1203-083	1	\$11.59	\$29.56

XIII. Owner's and Decal Packages

Owner's Package

REF #	PART #	DESCRIPTION	QTY	Dealer \$	MSRP	11i
*N/A	INDASMB1957	OWNER'S PACKAGE,ASSY,Q6EDGE	1	N/A	N/A	
*N/A	INFMANU4037	MANUAL,OWNER'S,Q6EDGE	1	\$5.51	\$14.06	
*N/A	INFINFB2493	MANUAL,PRODUCT SPECIFICATION SHEET,Q6EDGE	1	N/A	N/A	
*N/A	INFINFB1137	MANUAL,WARRANTY CARD,ENGLISH	1	N/A	N/A	
*N/A	PROZBAG1003	BAG,10"L X 12"W X 2MM,ZIPLOCK	1	N/A	N/A	
*N/A	PLSTIE1015	CABLE TIE,BLACK,NYLON,7.5-8MM W X 200-220MM L,100 LBS MINIMUM TESILE STRENGTH	6	\$1.1	\$2.81	
*N/A	DWR1235L519	HANG TAG,ROUND,GENERIC,COUNTRY OF ORIGIN,L-1235-519	1	N/A	N/A	
*N/A	DWR1020L003	HANG TAG,FULLY RECHARGE BATTERY BEFORE INITIAL USE,6-1/4" X 3-3/8",L-1020-003	1	\$1.1	\$2.81	
*N/A	DWR1202C027	REFLECTOR,AMBER,CASTER SPHERE,C-1202-027	8	\$1.1	\$2.81	
*N/A	INFINFB2528	MANUAL,PRODUCT INSERT SHEET,Q6EDGE,REFLECTOR INSTALLATION	1	N/A	N/A	
*N/A	INFMANU3992	MANUAL,CONSUMER SAFETY GUIDE,POWERCHAIR	1	N/A	N/A	
*N/A	INFINFB2779	MANUAL,PRODUCT INSERT SHEET,WARRANTY,DOMESTIC QUANTUM POWER CHAIRS,ENGLISH	1	N/A	N/A	

Notes :

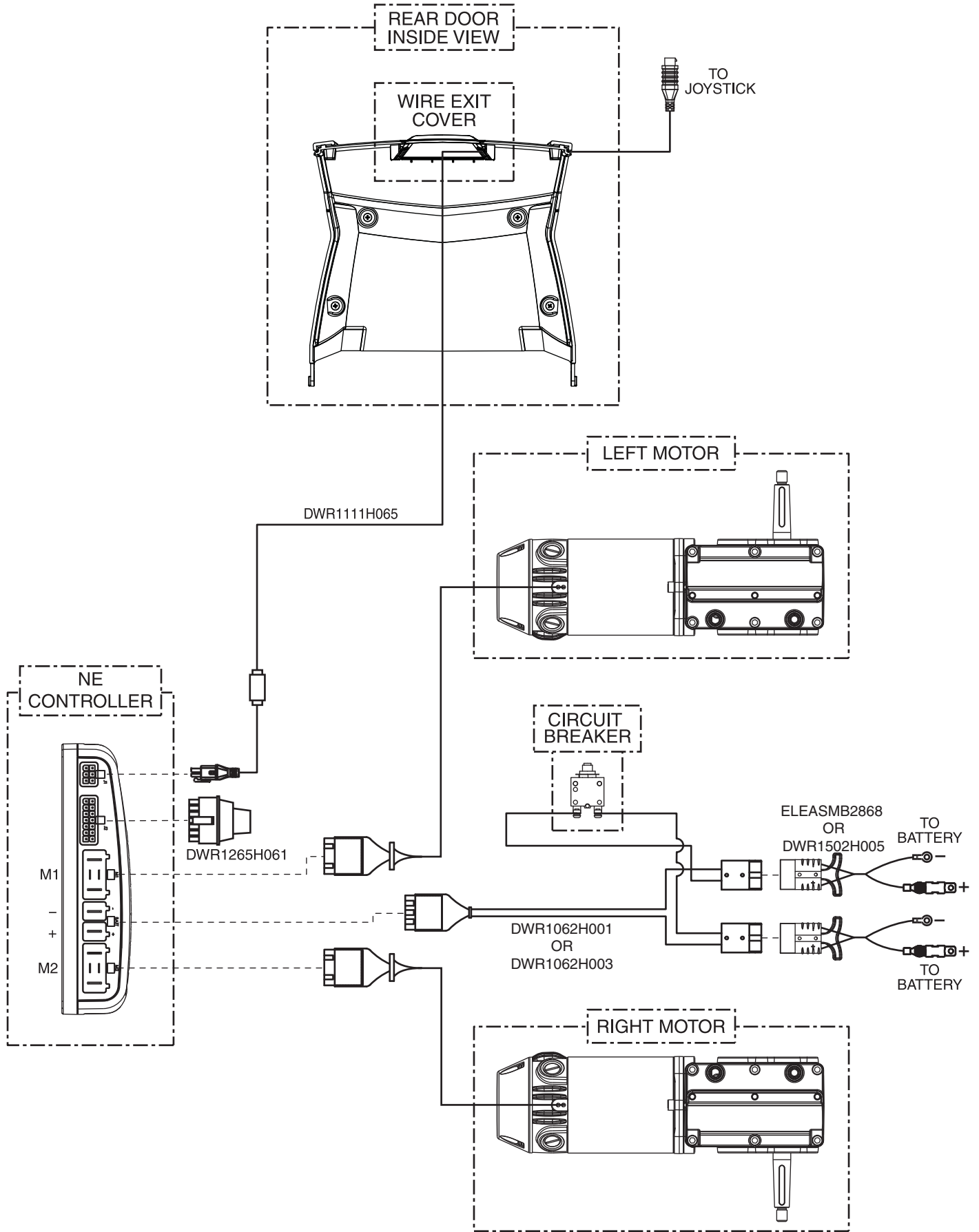
*N/A Not applicable.

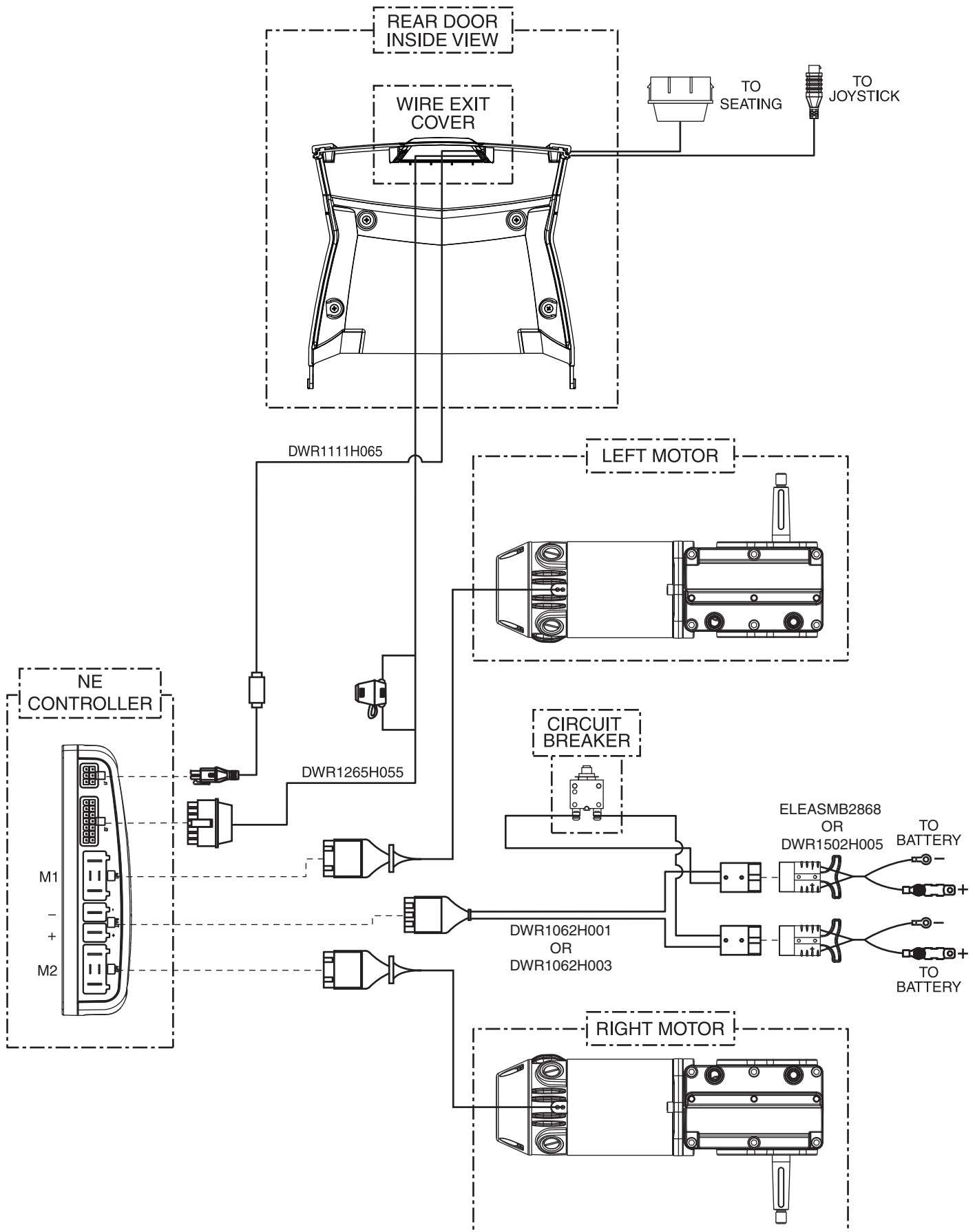
Decal Package

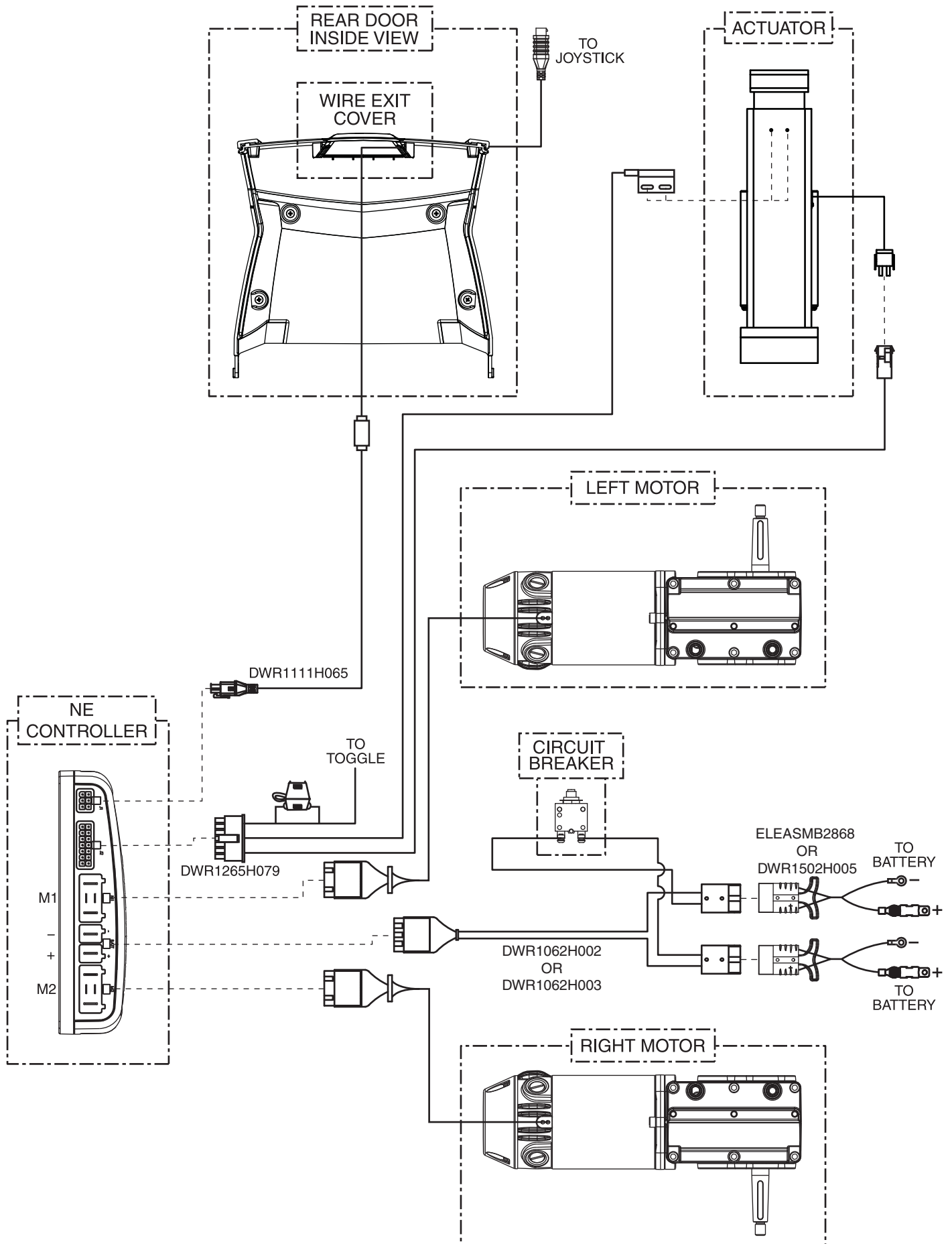
REF #	PART #	DESCRIPTION	QTY	Dealer \$	MSRP	11i
*N/A	DECSERN1032	DECAL,SERIAL NUMBER,4" X 6",BARCODE,W/PRIDE LOGO	1	N/A	N/A	
*N/A	DWR1000L025	DECAL,POWERCHAIR,US AND FOREIGN PATENTS PENDING,DOMESTIC,L-1000-025	1	N/A	N/A	
*N/A	DWR1234L957	DECAL,WARNING,DEFLATE TIRE COMPLETELY,L-1234-957	2	\$1.1	\$2.81	
*N/A	DWR1235L512	DECAL,WARNING,EMI-RFI,20V/M,L-1235-512	1	\$1.51	\$3.84	
*N/A	DWR1235L516	DECAL,WARNING,DEFLATE TIRE COMPLETELY,FRENCH,L-1235-516	2	N/A	N/A	
*N/A	DWR1235L638	DECAL,ICON,JAZZY FREEWHEEL,UP-DRIVE/DOWN-NEUTRAL,L-1235-638	2	N/A	N/A	
*N/A	DWR1235L679	DECAL,DATA PLATE,Q6EDGE,5 MPH,L-1235-679	1	N/A	N/A	
*N/A	DWR1235L680	DECAL,DATA PLATE,Q6EDGE,FRENCH CANADIAN,5 MPH,L-1235-680	1	N/A	N/A	
*N/A	DWR1235L810	DECAL,DATA PLATE,Q6EDGE,6 MPH,L-1235-810	1	N/A	N/A	
*N/A	DWR1235L811	DECAL,DATA PLATE,Q6EDGE,FRANCE,6 MPH,L-1235-811	1	N/A	N/A	
*N/A	DWR1234L004	DECAL,ICON,300LBS/135 KG,MAXIMUM WEIGHT CAPACITY,L-1234-004	1	\$1.1	\$2.81	
*N/A	DWR1234L012	DECAL,ICON,1.5",READ OWNERS MANUAL,L-1234-012	1	\$1.1	\$2.81	
*N/A	DWR1234L799	DECAL,ICON,1" X 2.5",WEATHER/MANUAL/LOOSE GARMENT,L-1234-799	1	\$1.1	\$2.81	
*N/A	DWR1235L515	DECAL,WARNING,BATTERY WARNINGS,L-1235-515	1	\$1.1	\$2.81	
*N/A	DWR1235L521	DECAL,WARNING,CONTROLLER CORD PLACEMENT,L-1235-521	1	N/A	N/A	
*N/A	DWR1235L639	DECAL,NAME,Q6EDGE,L-1235-639	2	\$1.1	\$2.81	
*N/A	DWR1235L678	DECAL,BATTERY CONNECTION,1.6" X 2.3",QUANTUM623,L-1235-678	1	N/A	N/A	
*N/A	DWR1235L520	DECAL,CAUTION,EXTENSION CORD/GROUNDING PRONG,L-1235-520	1	\$1.1	\$2.81	

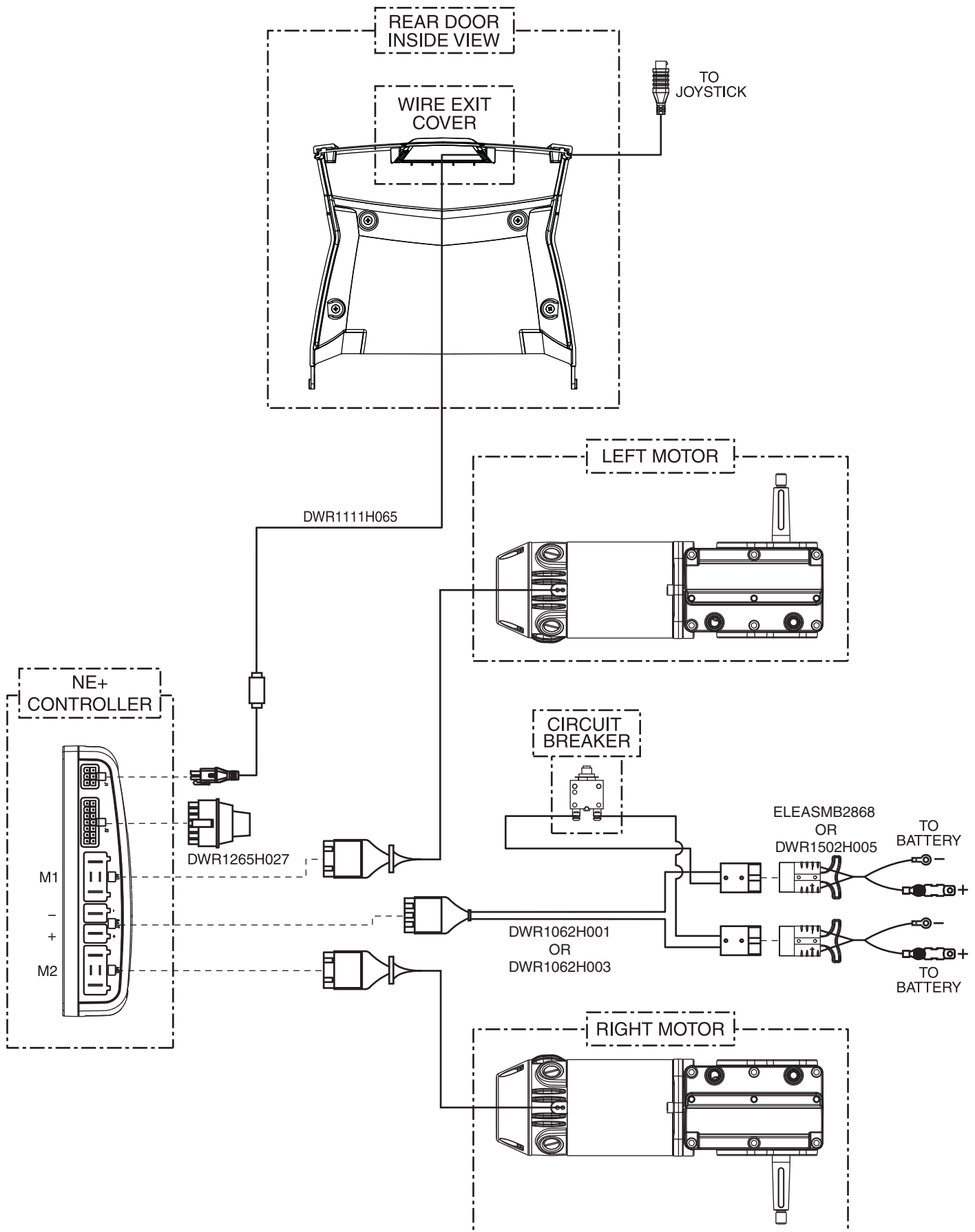
Notes :

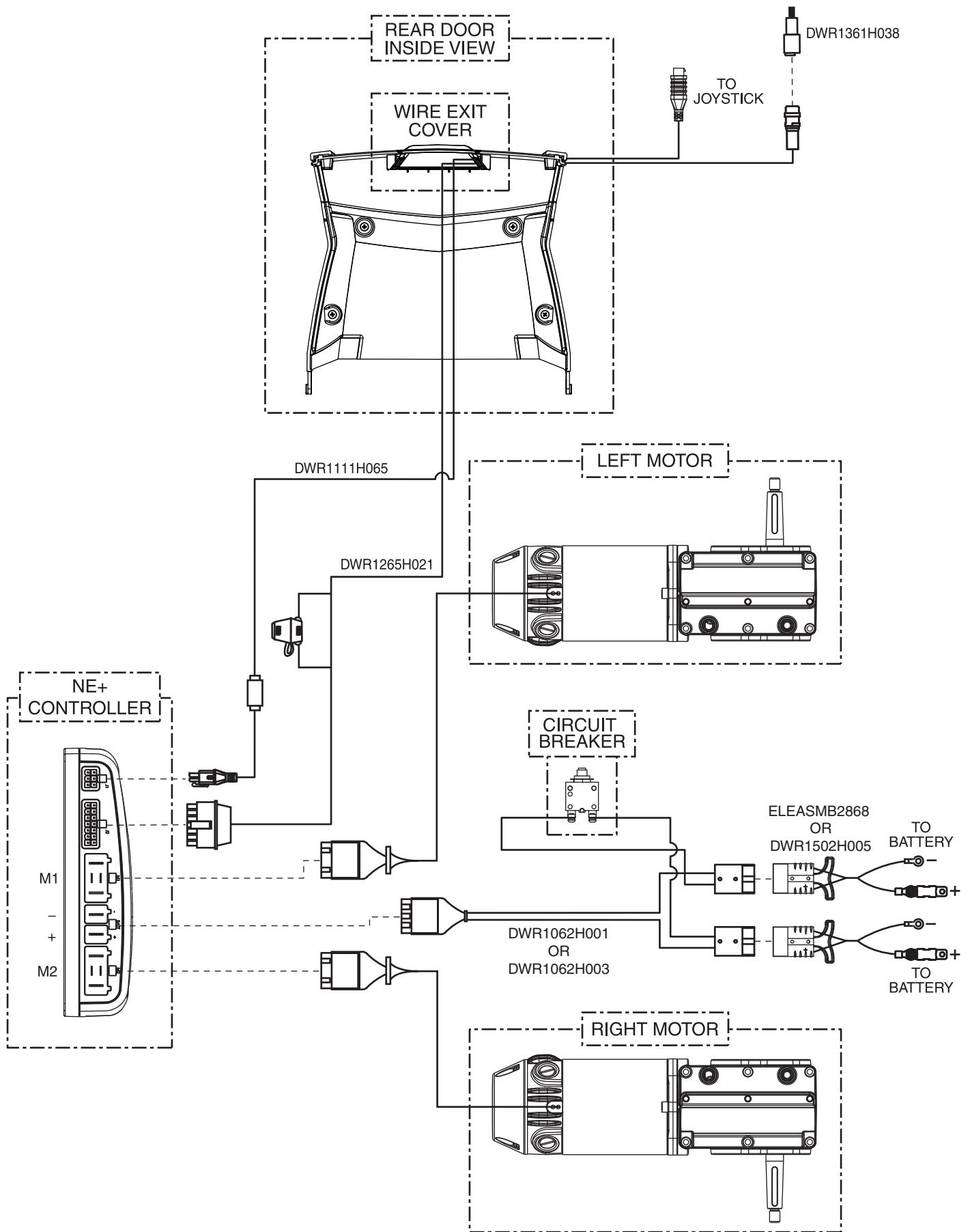
*N/A Not applicable.

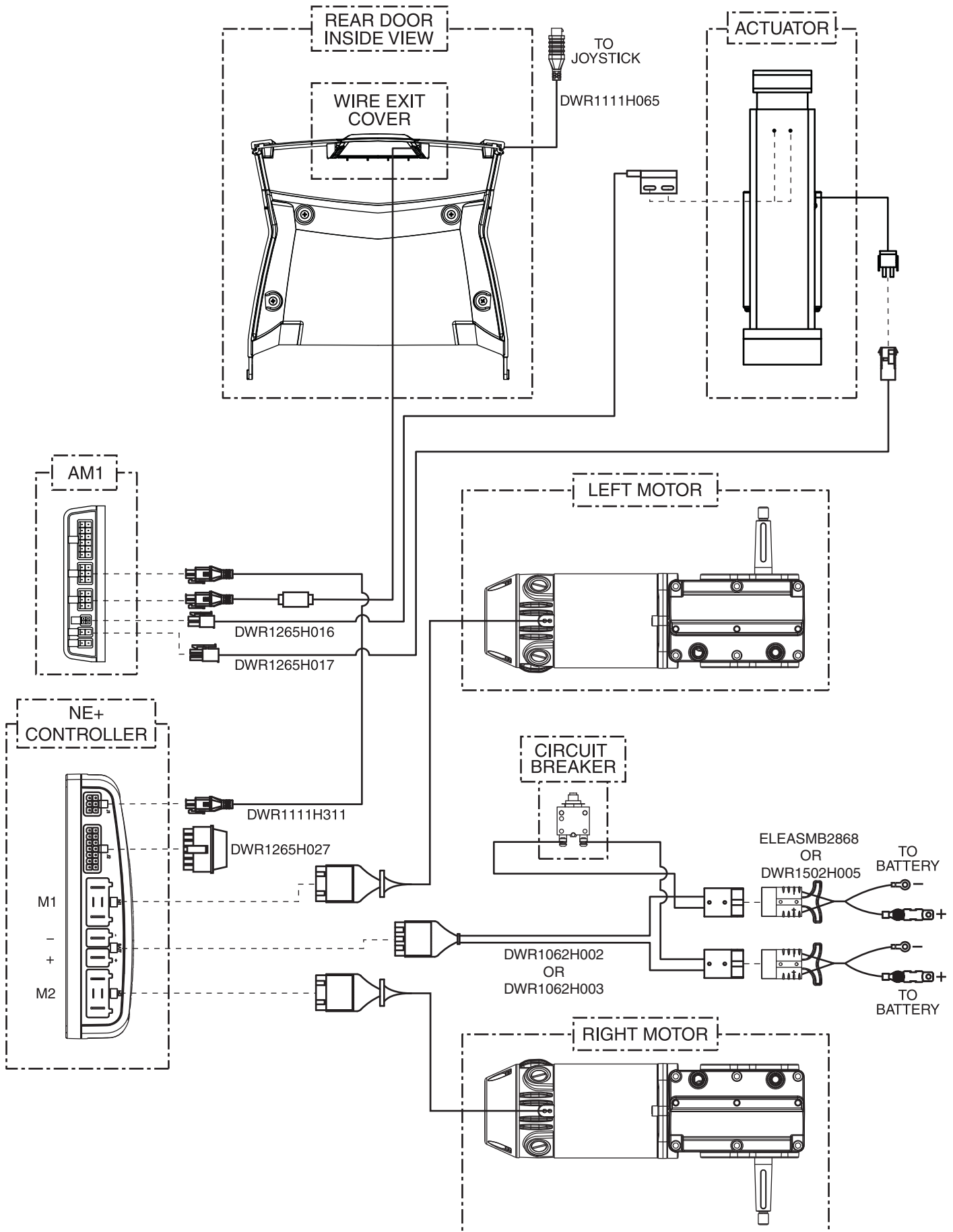


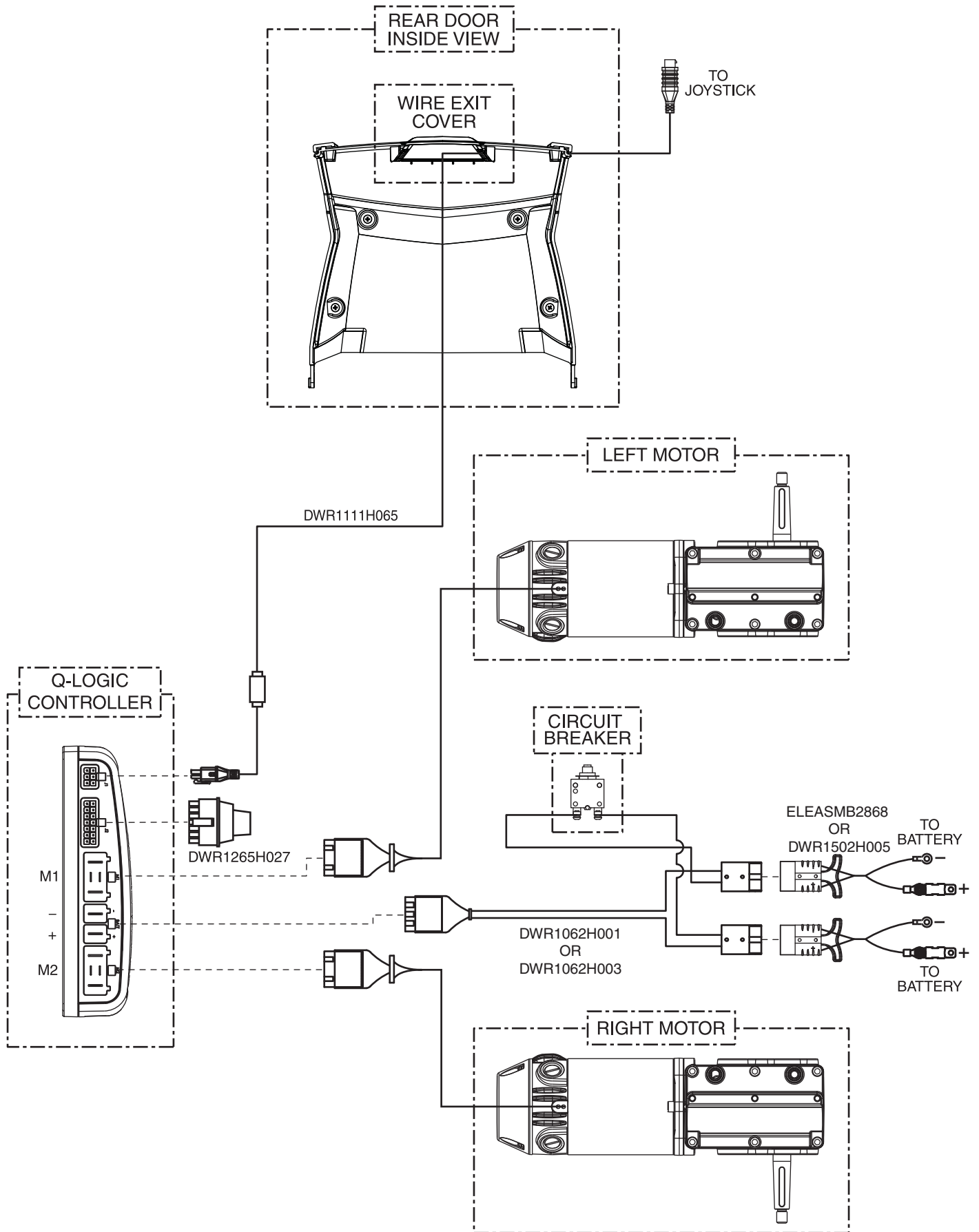


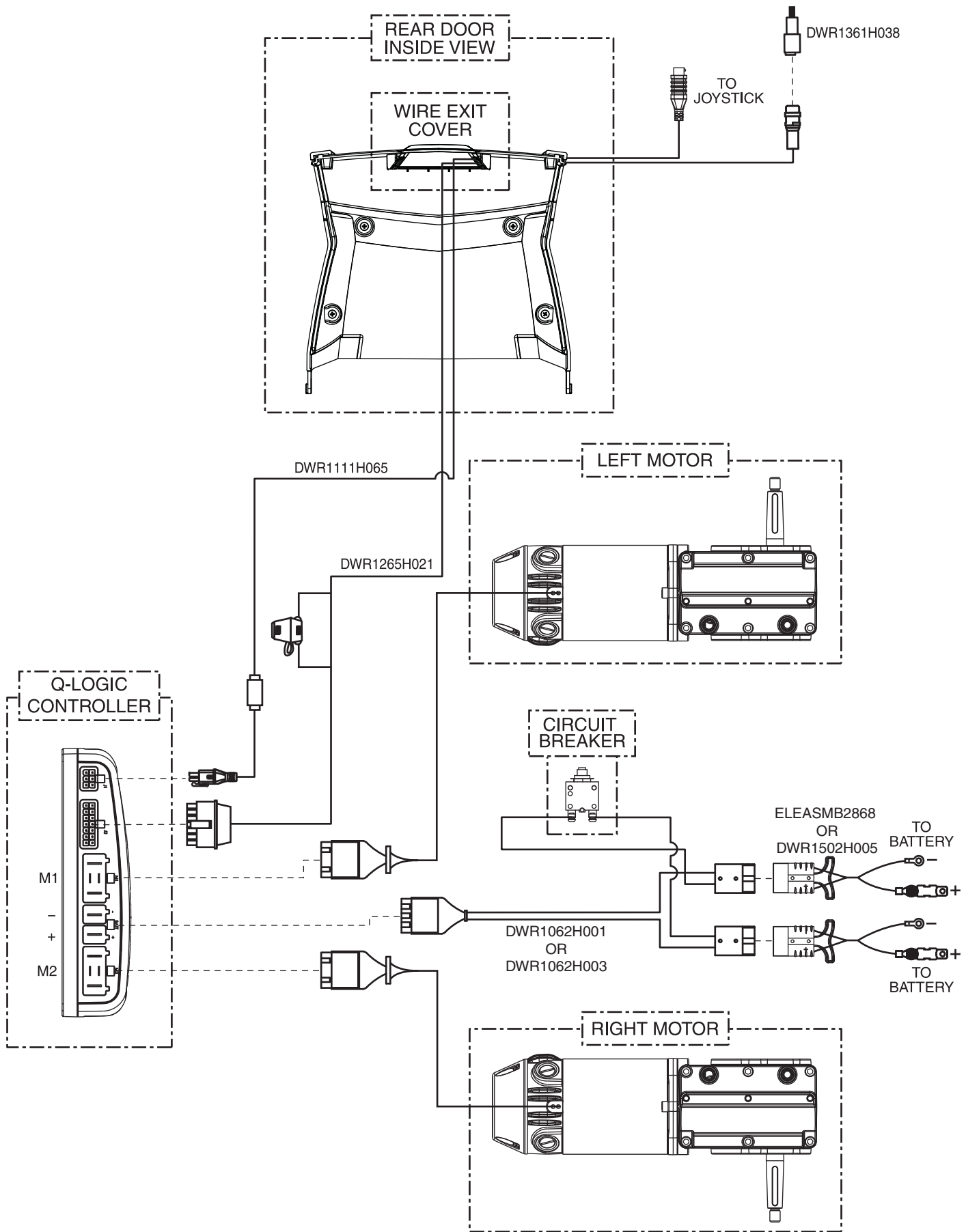


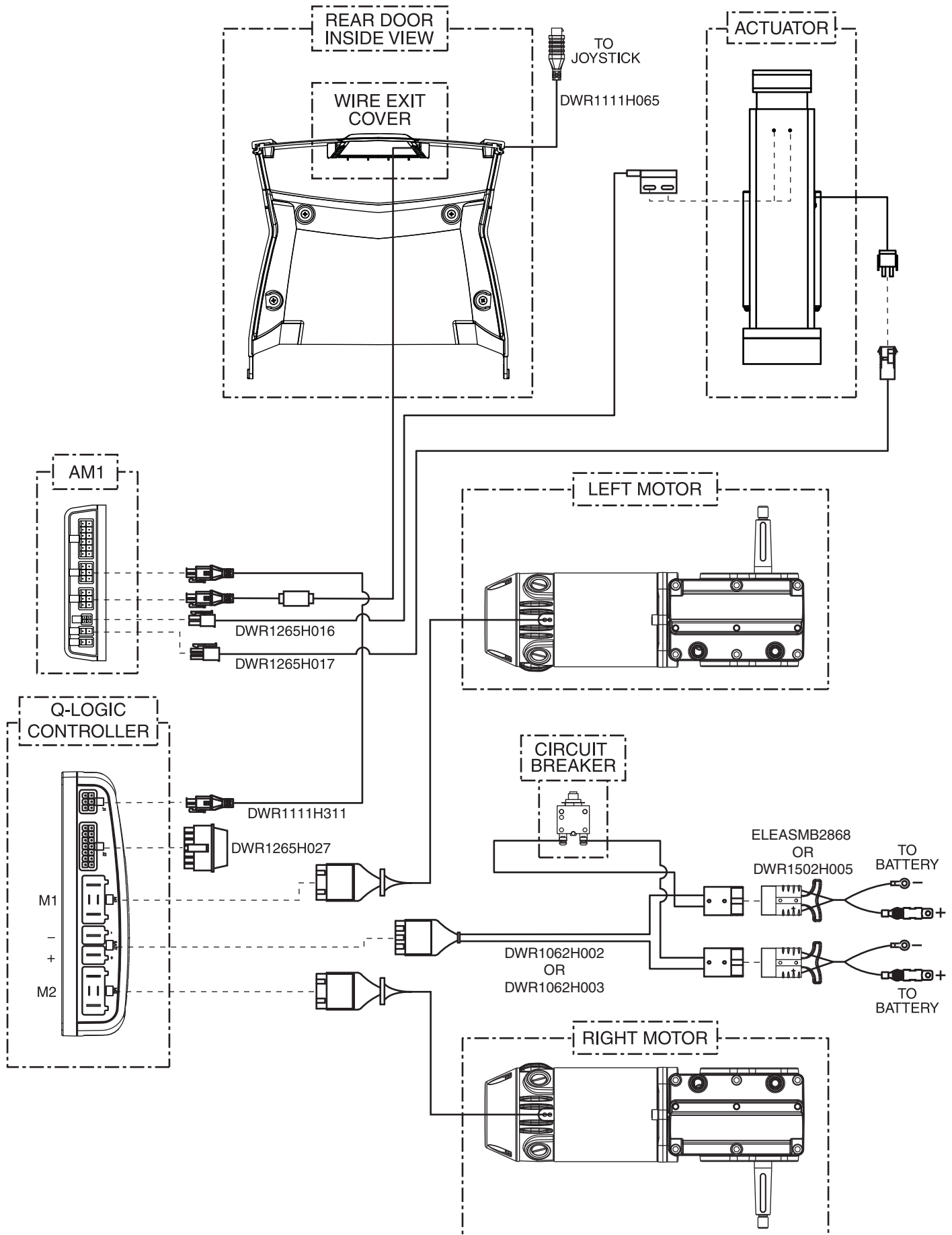


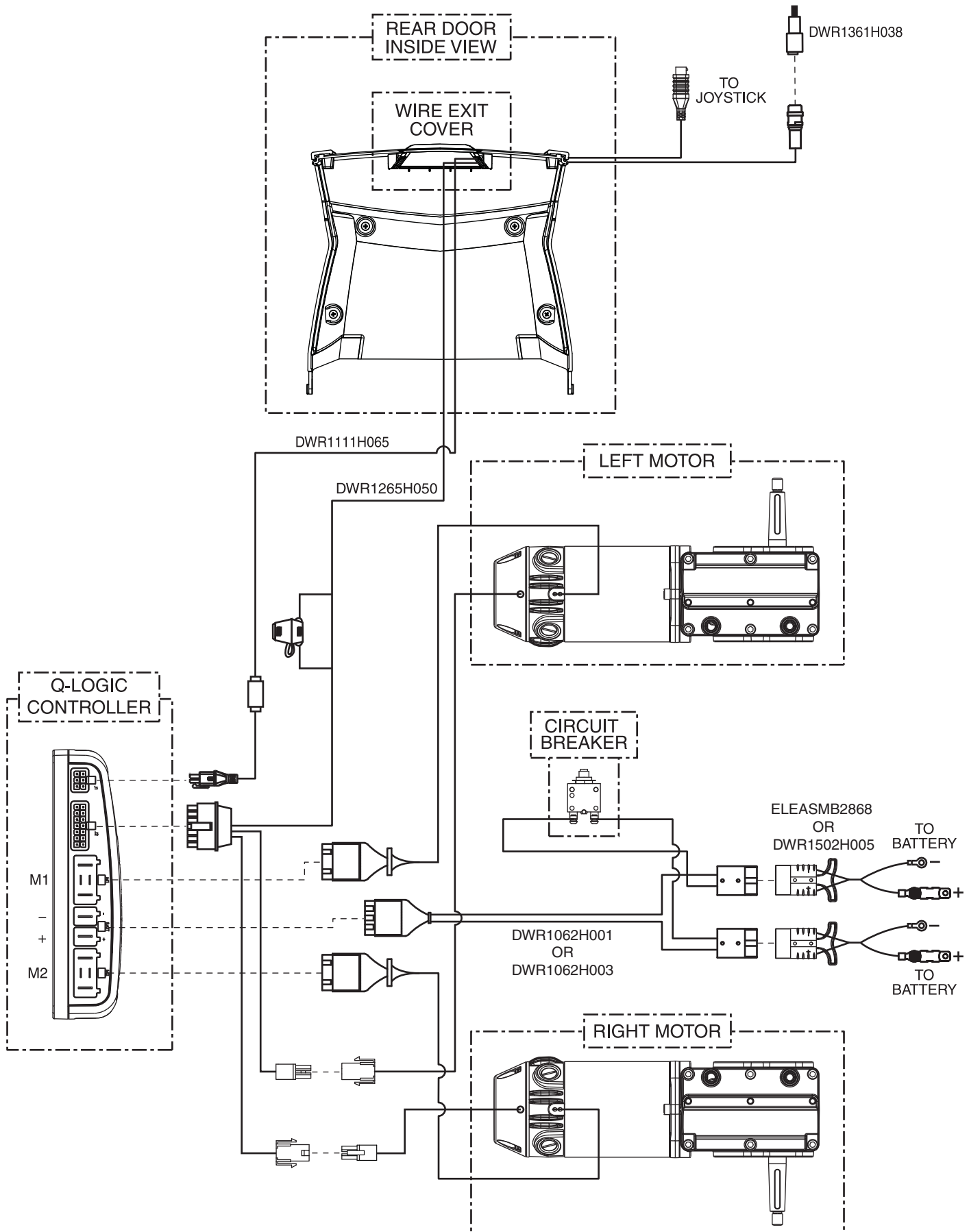




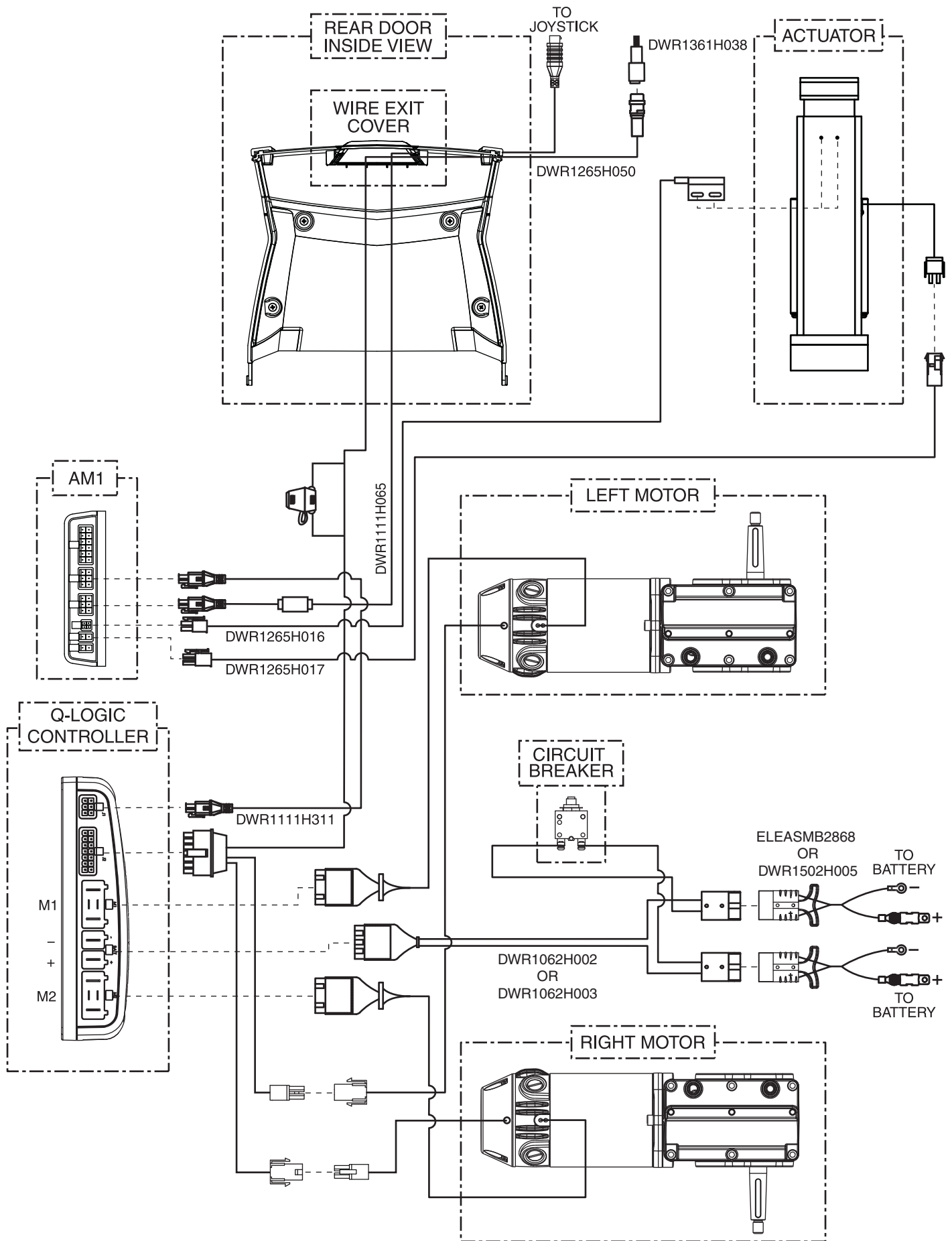








A. Electrical System Diagrams — Q-Logic, Accu-Trac Motor, Power Seat thru Joystick





Pride[®]

Mobility Products Corp.

www.pridemobility.com

Pride[®] Mobility Products Corporation

182 Susquehanna Avenue
Exeter, PA 18643
USA

Pride[®] Mobility Products Company

380 Vansickle Road, Unit 350
St. Catharines, Ontario L2R 6P7
Canada

Pride[®] Mobility Products Ltd.

32 Wedgwood Road
Bicester, Oxon OX26 4UL
UK

Pride[®] Mobility Products Australia Pty. Ltd.

20-24 Apollo Drive
Hallam, Victoria 3803
Australia

Pride[®] Mobility Products Italia S.r.l.

Via del Porgresso - ang. Via del Lavoro
Loc. Prato della Corte
00065 - Fiano Romano (RM)

Pride[®] Mobility Products Europe B.V.

Castricummer Werf 26
1901 RW Castricum
The Netherlands