



# LS / LSE

## Spare Part Catalog



<b>LS / LSE</b>	<b>SPARE PART CATALOG</b>		 
Item N° <b>322901</b>	Revision <b>B</b>	Date <b>30/07/2015</b>	Page <b>2 of 93</b>

# LS / LSE

## Stand-Up Wheelchair

**Permobil Group's Head Office**

**Permobil AB**

Box 120  
861 23 Timrå  
Sweden

Tel +46 60 59 59 00  
Fax + 46 60 57 52 50

E-mail [info@permobil.se](mailto:info@permobil.se)

**Permobil Inc. USA**

6961 Eastgate Blvd.  
Lebanon TN 37090  
USA

Phone 800-736-0925  
Fax 800-231-3256

Email [info@permobilusa.com](mailto:info@permobilusa.com)

**Lifestand Groupe Permobil**

5 rue Clément Ader  
69740 Genas  
France

Tel. +33 (0)4 37 26 27 28  
Fax +33 (0)4 37 26 27 29

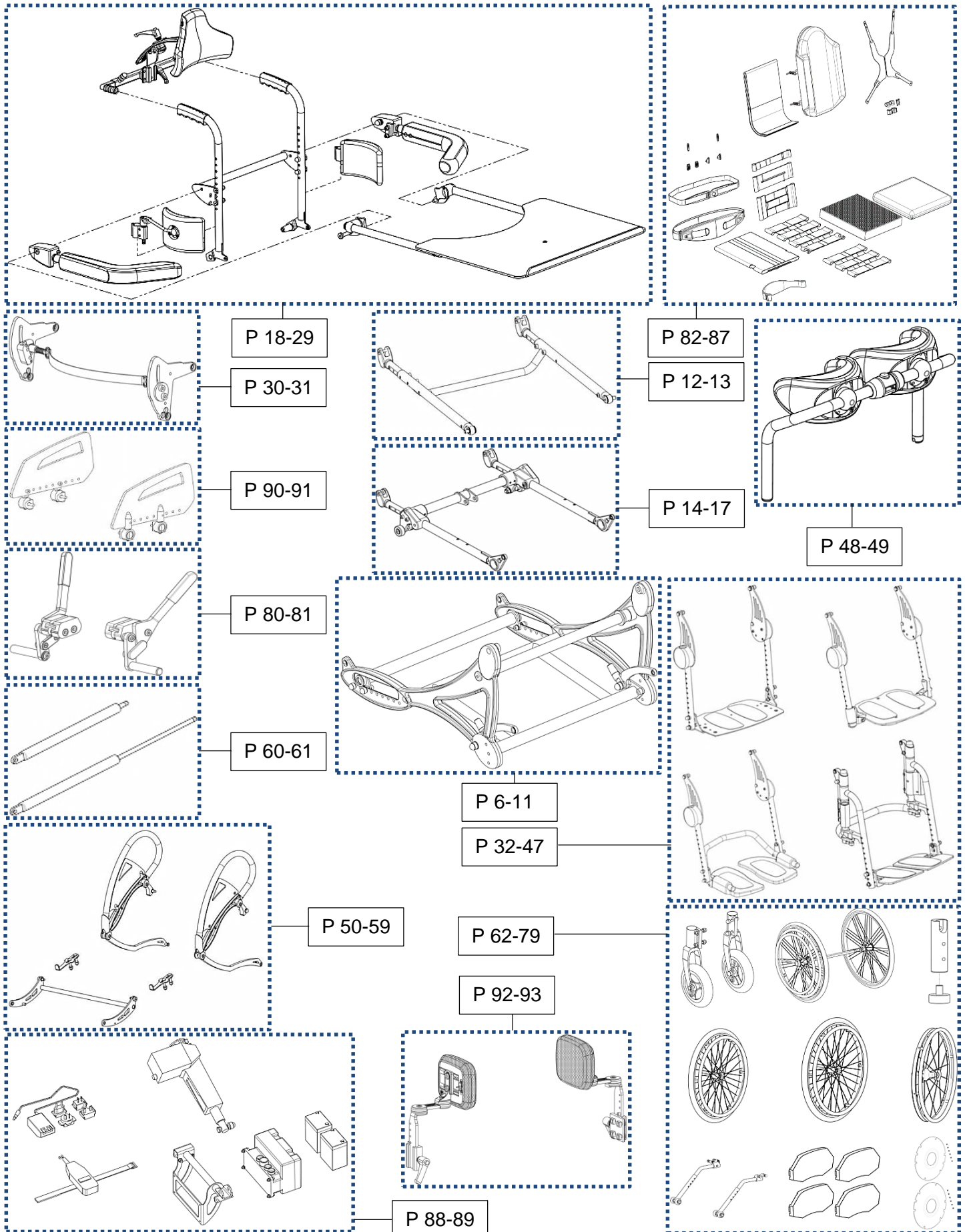
Email [info@permobil.com](mailto:info@permobil.com)

## Sommaire

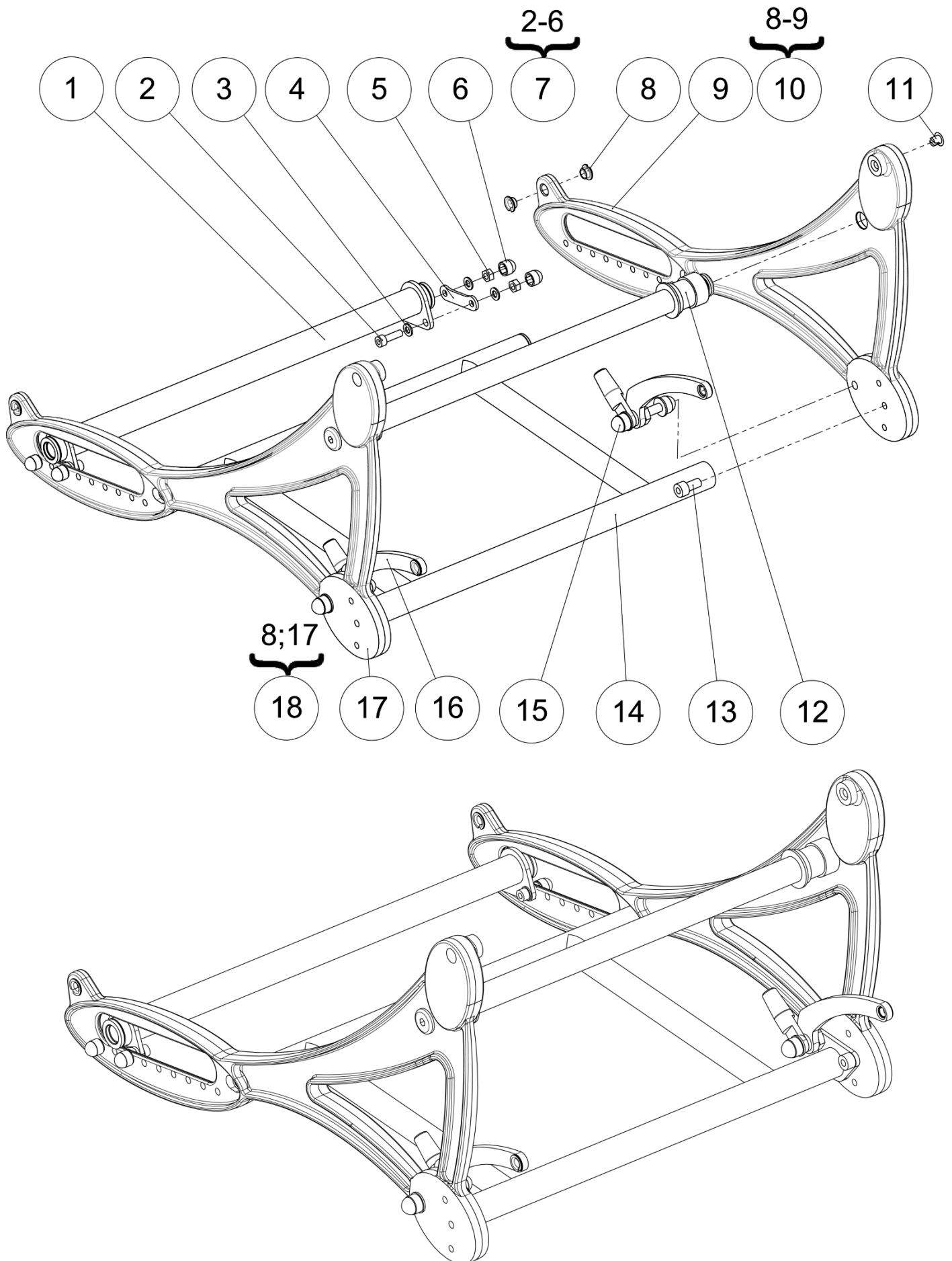
Frame .....	7
Front cross tube .....	9
Front cross tube fixation .....	11
Upper seat .....	13
Lower seat .....	15
Lower seat tubes .....	17
Backrest .....	19
Backrest Tubes .....	21
Armrests .....	23
Headrest .....	25
Worktable .....	27
Trunk support .....	29
Side hub .....	31
Legrest .....	33
Footrest supports .....	35
Fixed footrest .....	37
Footrest flip up and fold away .....	39
Dual footrest flip up .....	41
Dual footrest flip up and fold away .....	43
Dual footrest flip up and fold away plates .....	45
Dual footrest flip up and fold away rod .....	47
Kneerest .....	49
Manual standing .....	51
Grip handle crosstube .....	53
Stand-up lock .....	55
Arm loop lever .....	57
Carbon fiber side guards .....	59
Gas strut .....	61
Wheels .....	63
Front wheels .....	65
Rear wheel 24'' .....	67

Lifestand wheel 24" .....	69
Rear wheel 24" Spinergy.....	71
Rear wheel 26" .....	73
Hemiplegic wheels .....	75
Anti-tipper wheels.....	77
Rear wheels accessories.....	79
Brakes.....	81
Textiles .....	83
Seat cushion visco .....	85
Varilite accessories.....	87
Electric standing .....	89
Side guards.....	91
Lateral support.....	93





Frame





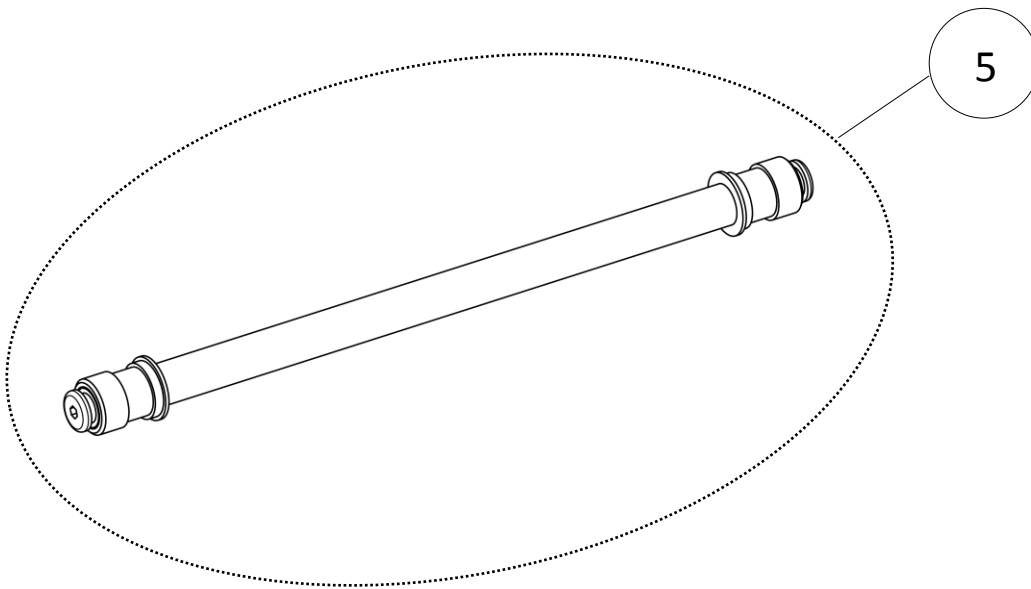
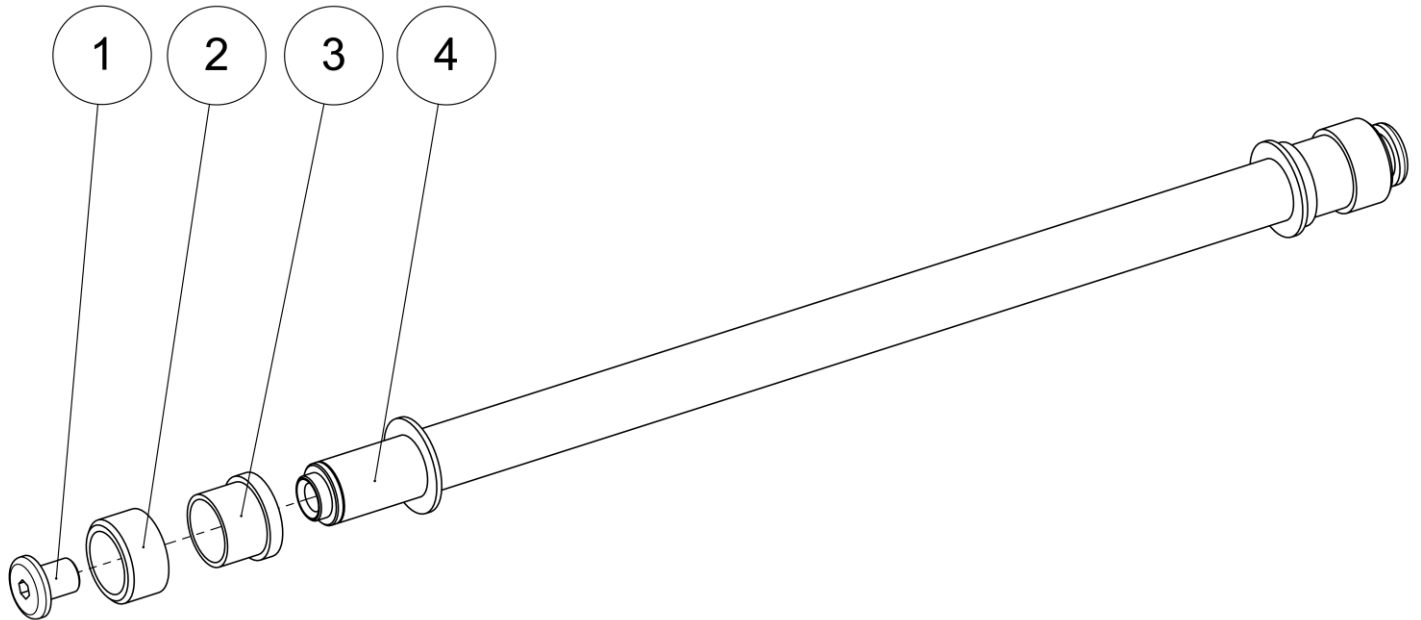
## Frame

## Frame

Pos	Qty	Stock Code	Description En	Description Fr	Remark
1	1	<b>A1002X36PN</b>	Rear wheel axle size 36 cm	Essieu arrière taille 36 cm	No camber
		<b>A1002X40PN</b>	Rear wheel axle size 40 cm	Essieu arrière taille 40 cm	No camber
		<b>A1002X44PN</b>	Rear wheel axle size 44 cm	Essieu arrière taille 44 cm	No camber
		<b>A1002X48PN</b>	Rear wheel axle size 48 cm	Essieu arrière taille 48 cm	No camber
		<b>A1004X36PN</b>	Cambered rear wheel axle size 36 cm	Essieu arrière carrossé taille 36 cm	3° camber / Carrossage
		<b>A1004X40PN</b>	Cambered rear wheel axle size 40 cm	Essieu arrière carrossé taille 40 cm	3° camber / Carrossage
		<b>A1004X44PN</b>	Cambered rear wheel axle size 44 cm	Essieu arrière carrossé taille 44 cm	3° camber / Carrossage
		<b>A1004X48PN</b>	Cambered rear wheel axle size 48 cm	Essieu arrière carrossé taille 48 cm	3° camber / Carrossage
2	4	<b>VIS-CHC6X25ZN</b>	Hexagon socket head cap screw M6x25	Vis tête cylindrique M6x25 six pans creux	
3	8	<b>RON-M6ZN</b>	Plain washer Ø6	Rondelle plate M Ø6	
4	2	<b>L0110XXXPN</b>	Axle spacer	Cale essieu	
5	4	<b>ECR-HFR6ZN</b>	Prevailing torque type hexagon nut M6	Ecrou frein M6	
6	4	<b>C0215XXXFO</b>	Nut cap M6	Cache écrou M6	
7	1	<b>322823</b>	Kit fixation rear wheel axle (pair)	Kit de fixation traverse arrière (paire)	
8	4	<b>L0007080FO</b>	Collar bearing Ø8xØ10x5.5mm	Coussinet a collerette Ø8xØ10x5.5mm	
9	1		Left frame black/blue/red/grey	Châssis gauche LS3 noir/bleu/rouge/gris	NOT FOR SALE L1100LXXP N/B/R/T
10	1	<b>322824</b>	Kit left frame black	Kit châssis gauche noir	
		<b>322825</b>	Kit left frame blue	Kit châssis gauche bleu	
		<b>322826</b>	Kit left frame red	Kit châssis gauche rouge	
		<b>322827</b>	Kit left frame grey	Kit châssis gauche gris	
11	2	<b>L0005XXXFO</b>	Closing plastic cap	Bouchon de fermeture	
12	1		Front cross tube	Traverse avant	See exploded view p.8
13	2	<b>VIS-CHC8X16ZN</b>	Hexagon socket head cap screw M8x16	Vis tête cylindrique M8x16 six pans creux	
14	1	<b>L1105X36PN</b>	Basic frame size 36 cm	Echelle taille 36 cm	
		<b>L1105X40PN</b>	Basic frame size 40 cm	Echelle taille 40 cm	
		<b>L1105X44PN</b>	Basic frame size 44 cm	Echelle taille 44 cm	
		<b>L1105X48PN</b>	Basic frame size 48 cm	Echelle taille 48 cm	
15	1		Front cross tube fixation left	Fixation bielle gauche	See exploded view p.10
16	1		Front cross tube fixation right	Fixation bielle droite	See exploded view p.10
17	1		Right frame black/blue/red/grey	Châssis droit LS3 noir/bleu/rouge/gris	NOT FOR SALE L1100RXXP N/B/R/T
18	1	<b>322828</b>	Kit right frame black	Kit châssis droit noir	
		<b>322829</b>	Kit right frame blue	Kit châssis droit bleu	
		<b>322830</b>	Kit right frame red	Kit châssis droit rouge	
		<b>322831</b>	Kit right frame grey	Kit châssis droit gris	

Frame

Front cross tube





Frame

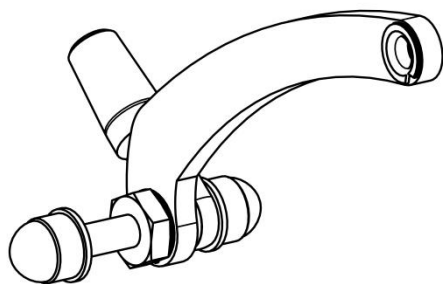
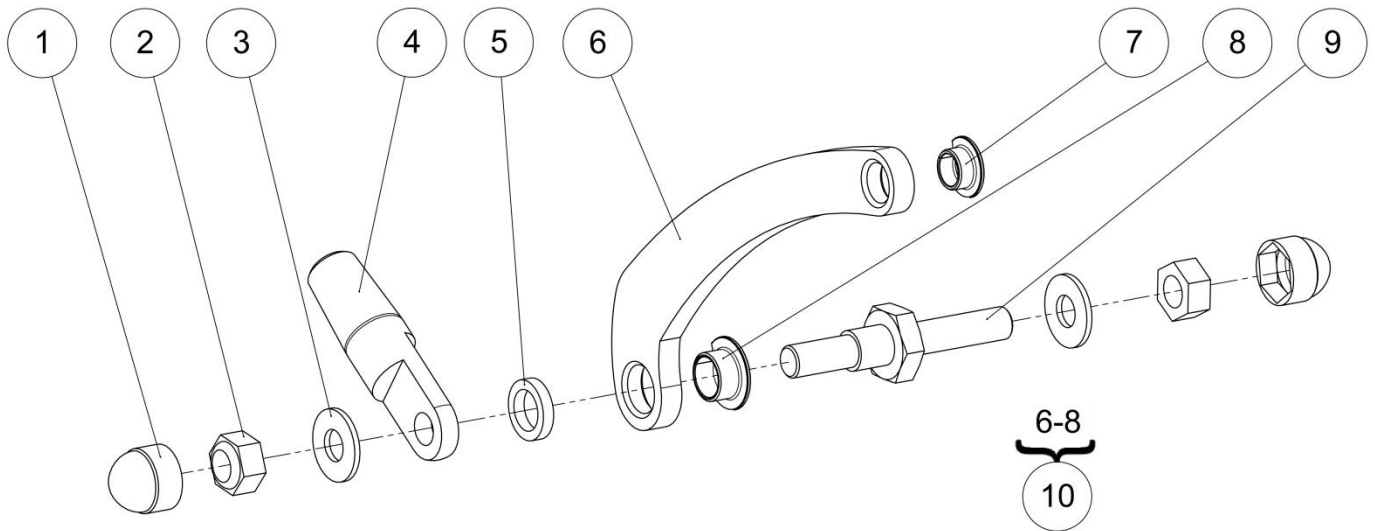
Front cross tube

## Front cross tube

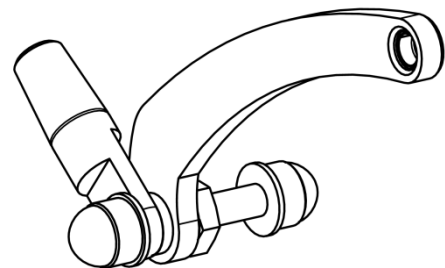
Pos	Qty	Stock Code	Description En	Description Fr	Remark
1	2	<b>L0115XXXZN</b>	Cross bar screw	Axe de traverse	
2	2	<b>L0113XXXFO</b>	Wedging ring	Bague de calage	
3	2	<b>L0112XXXFO</b>	Guide ring	Bague de guidage	
4	1	<b>L1103X36PN</b>	Front cross tube size 36 cm	Traverse supérieure taille 36 cm	
		<b>L1103X40PN</b>	Front cross tube size 40 cm	Traverse supérieure taille 40 cm	
		<b>L1103X44PN</b>	Front cross tube size 44 cm	Traverse supérieure taille 44 cm	
		<b>L1103X48PN</b>	Front cross tube size 48 cm	Traverse supérieure taille 48 cm	
5	1	<b>322832</b>	Kit front cross tube size 36 cm	Kit traverse supérieur taille 36 cm	
		<b>322833</b>	Kit front cross tube size 40 cm	Kit traverse supérieur taille 40 cm	
		<b>322834</b>	Kit front cross tube size 44 cm	Kit traverse supérieur taille 44 cm	
		<b>322835</b>	Kit front cross tube size 48 cm	Kit traverse supérieur taille 48 cm	

Frame

Front cross tube fixation



Right side



Left side



Frame

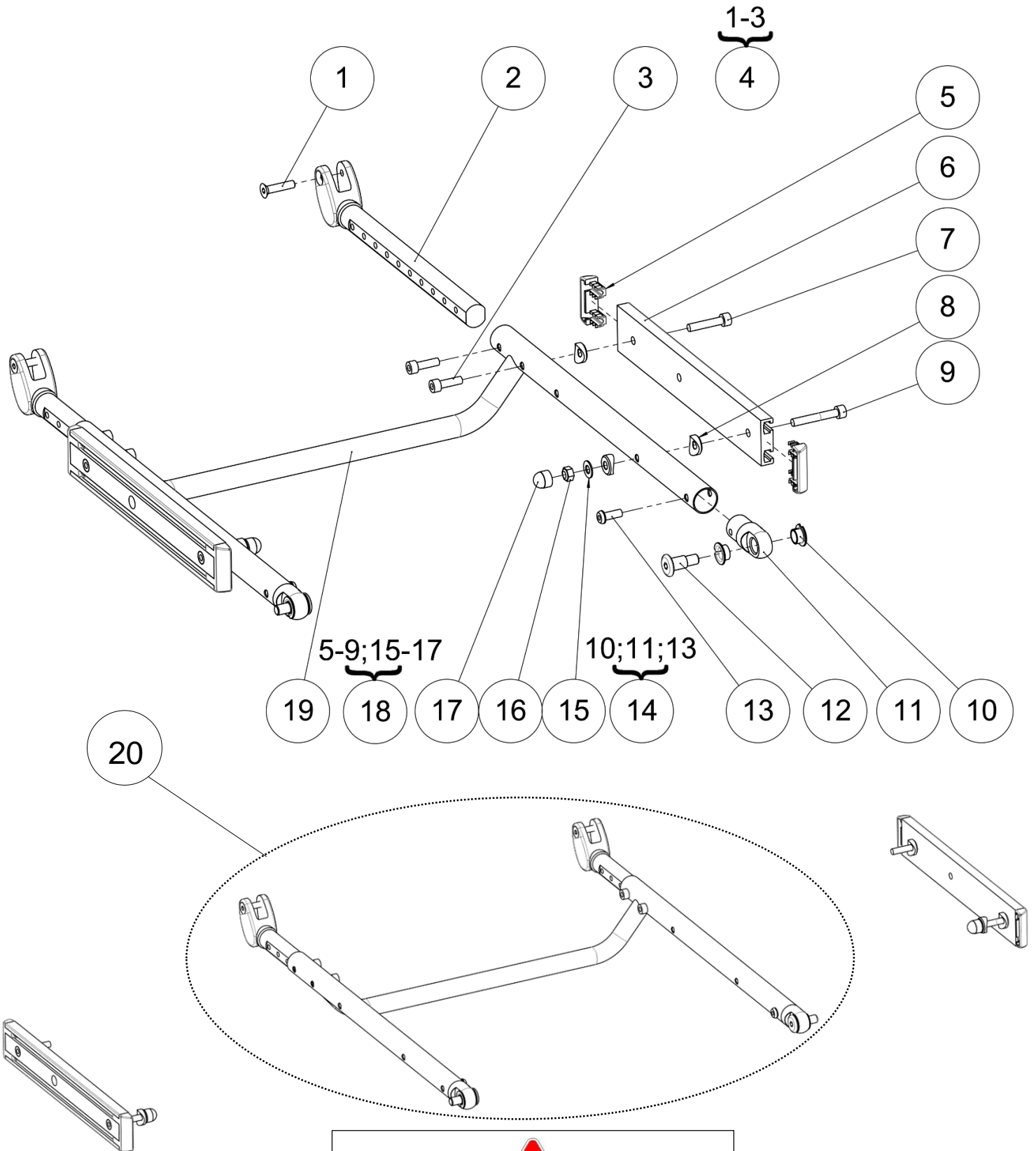
Front cross tube fixation

## Front cross tube fixation

Pos	Qty	Stock Code	Description En	Description Fr	Remark
1	4	<b>C0214XXXFO</b>	Nut cap M8	Cache écrou M8	
2	4	<b>ECR-HFR8ZN</b>	Prevailing torque type hexagon nut M8	Ecrou frein M8	
3	4	<b>RON-M8ZN</b>	Plain washer Ø8	Rondelle plate M Ø8	
4	2	<b>L8110XXXAI</b>	Gas strut clevis	Chape de vérin	
5	2	<b>RON-M10EPAI-PLAS</b>	Plain washer Ø10.3x15x3 mm plastic	Rondelle plate Ø10.3x15x3 mm plastique	
6	2		Footrest connecting rod	Bielle repose pied anodise	NOT FOR SALE L0111XXXAI
7	2	<b>L0007080FO</b>	Collar bearing Ø8xØ10x5.5mm	Coussinet a collerette Ø8xØ10x5.5mm	
8	2	<b>L0007100FO</b>	Collar bearing Ø10xØ12x7mm	Coussinet à collerette Ø10xØ12x7mm	
9	2	<b>L0114XXXZN</b>	Gas spring axle	Axe vérin à gaz	
10	1	<b>322836</b>	Kit front cross tube plate left	Kit plaque traverse avant gauche	
	1	<b>322837</b>	Kit front cross tube plate right	Kit plaque traverse avant droit	



Upper seat



The Kit UNITRACK 322175 is  
**NOT COMPATIBLE WITH LS**



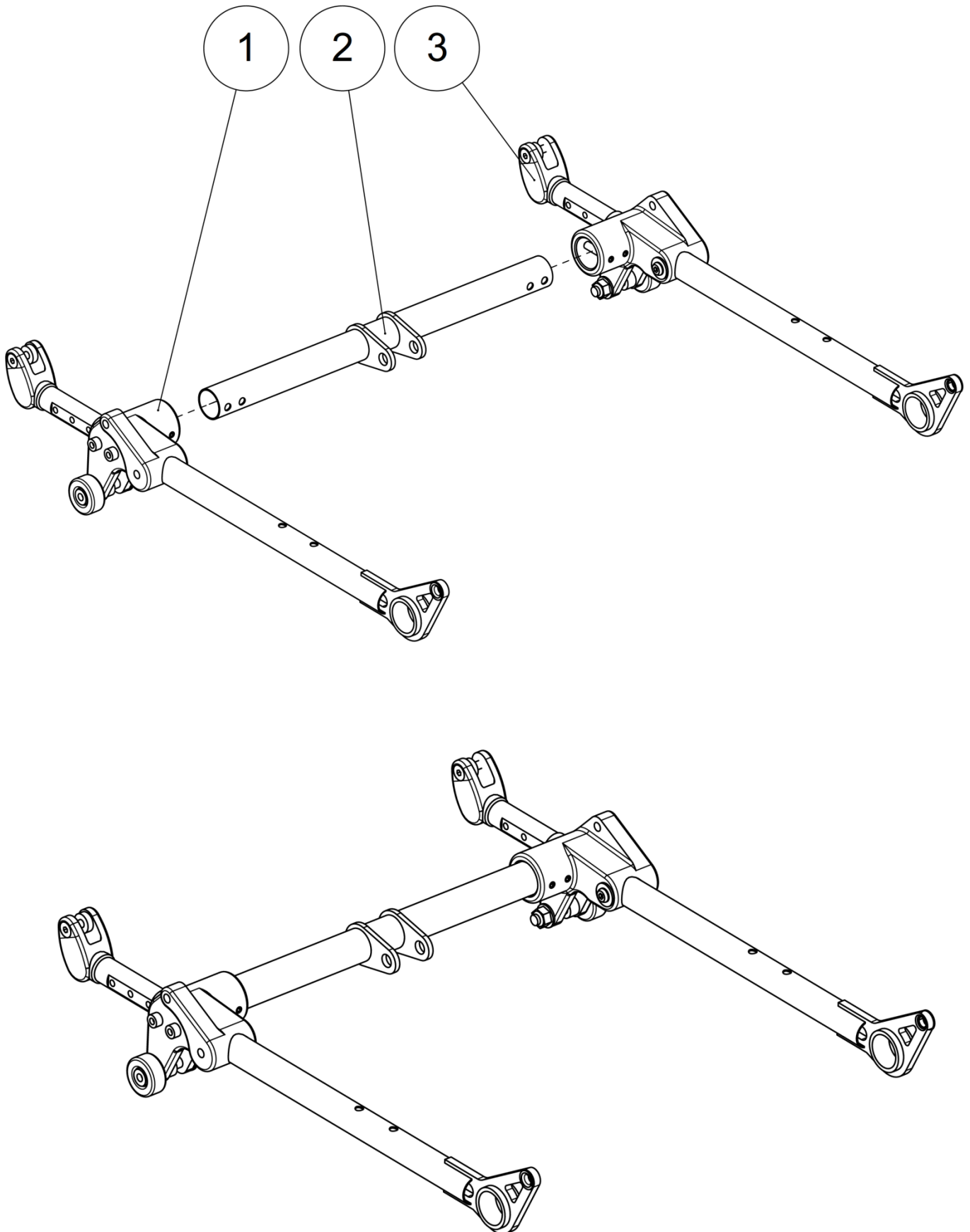


## Upper seat

## Upper seat

Pos	Qty	Stock Code	Description En	Description Fr	Remark
1	2	<b>L2108XXXZN</b>	Screw M6x27	Vis coulisseau M6x27	
2	2		Seat depth runner tube	Coulisseau d'assise	NOT FOR SALE L2106XXXAI
3	4	<b>VIS-CHC6X20ZN</b>	Hexagon socket head cap screw M6x20	Vis tête cylindrique M6x20 six pans creux	
4	2	<b>322839</b>	Kit upper seat depth runner tube	Kit coulisseau d'assise supérieure	
5	4	<b>315427</b>	Plastic plug 11x40mm	Embout plastique 11x40mm	
6	2	<b>321235</b>	Bracket adjustment Lg250mm	Rail UNITRACK Lg250	NOT COMPATIBLE WITH <u>LS</u>
7	2	<b>VIS-CHC6X30ZN</b>	Hexagon socket head cap screw M6x30	Vis tête cylindrique M6x30 six pans creux	
8	6	<b>L0002221AI</b>	Concave washer for tube Ø22.1mm	Coupelle pour tube Ø22.1mm	
9	2	<b>VIS-CHC6X40ZN</b>	Hexagon socket head cap screw M6x40	Vis tête cylindrique M6x40 six pans creux	
10	4	<b>L0007100FO</b>	Collar bearing Ø10xØ12x7mm	Coussinet à collerette Ø10xØ12x7mm	
11	2		Upper seat tube lug	Tenon assise supérieure	NOT FOR SALE L2104XXXFO
12	2	<b>A0021XXXZN</b>	Upper seat tube lug spindle	Pivot d'assise supérieure	
13	2	<b>VIS-CBHC6X16ZN</b>	Hexagon socket button head screw M6x16	Vis tête bombée M6x16 six pans creux	
14	2	<b>322838</b>	Kit upper seat lug	Kit tenon d'assise supérieur	
15	2	<b>RON-M6ZN</b>	Plain washer Ø6	Rondelle plate M Ø6	
16	2	<b>ECR-HFR6ZN</b>	Prevailing torque type hexagon nut M6	Ecrou frein M6	
17	2	<b>C0215XXXFO</b>	Nut cap M6	Cache écrou M6	
18	1	<b>322175</b>	Kit UNITRACK (pair)	Kit rail UNITRACK (paire)	NOT COMPATIBLE WITH <u>LS</u>
19	1	<b>L2102X36PN</b>	Upper seat frame size 36 cm	Assise supérieure taille 36 cm	
		<b>L2102X40PN</b>	Upper seat frame size 40 cm	Assise supérieure taille 40 cm	
		<b>L2102X44PN</b>	Upper seat frame size 44 cm	Assise supérieure taille 44 cm	
		<b>L2102X48PN</b>	Upper seat frame size 48 cm	Assise supérieure taille 48 cm	
20	1	<b>322840</b>	Kit upper seat size 36 cm	Kit assise supérieure taille 36 cm	
		<b>322841</b>	Kit upper seat size 40 cm	Kit assise supérieure taille 40 cm	
		<b>322842</b>	Kit upper seat size 44 cm	Kit assise supérieure taille 44 cm	
		<b>322843</b>	Kit upper seat size 48 cm	Kit assise supérieure taille 48 cm	

Lower seat



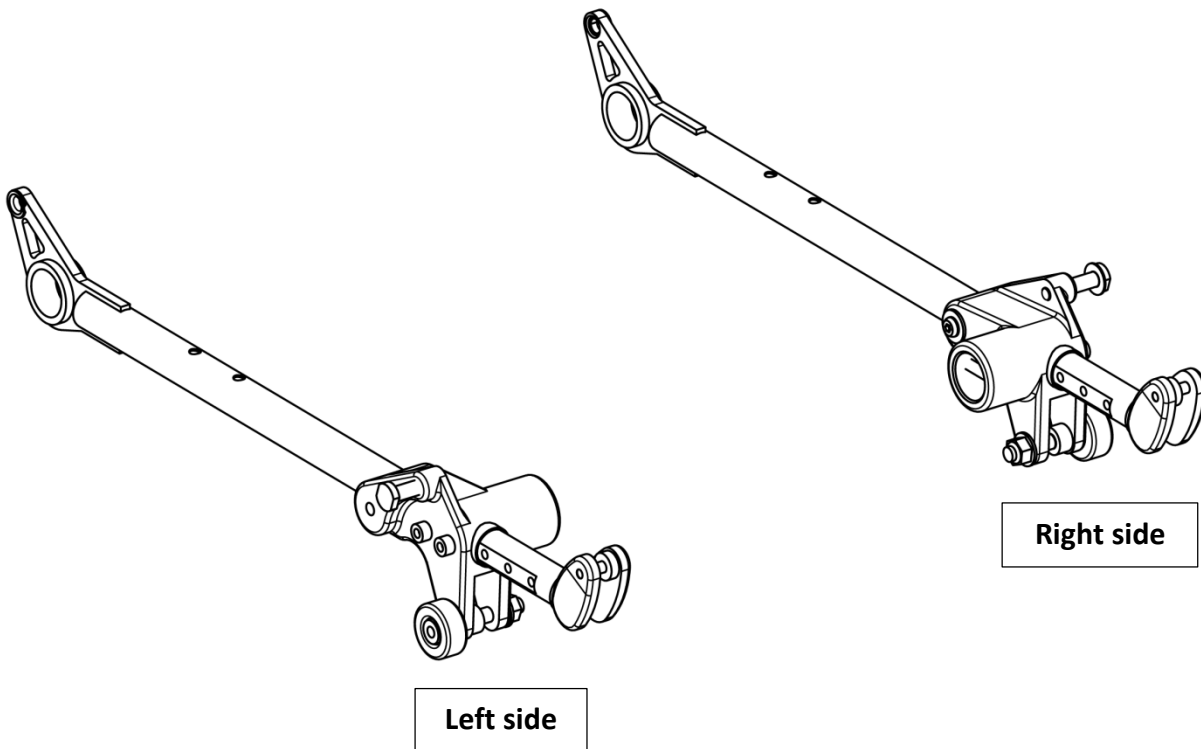
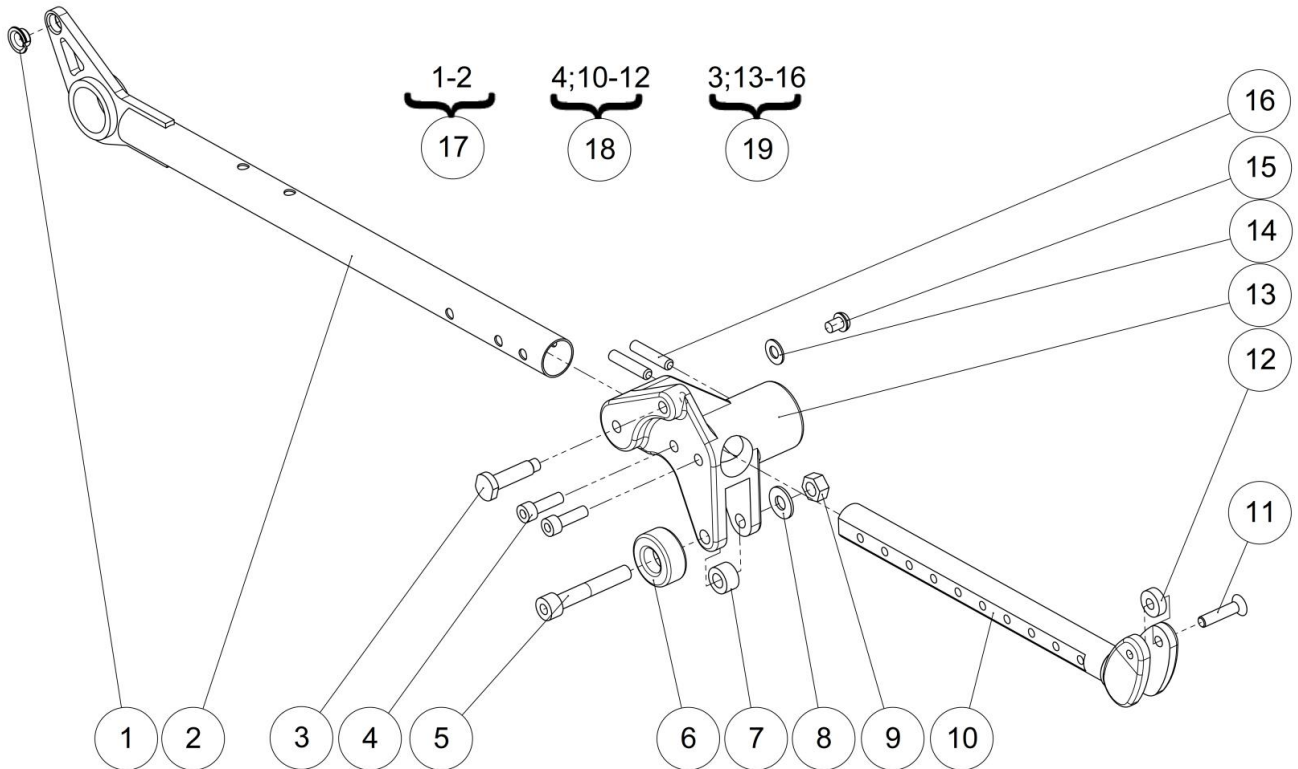
## Lower seat

## Lower seat

Pos	Qty	Stock Code	Description En	Description Fr	Remark
1	1		Lower seat tube right	Tube d'assise inférieure droit	See exploded view p.16
2	1	<b>L2103X36PN</b>	Cross bar lower seat frame size 36 cm	Traverse assise inférieure taille 36 cm	
		<b>L2103X40PN</b>	Cross bar lower seat frame size 40 cm	Traverse assise inférieure taille 40 cm	
		<b>L2103X44PN</b>	Cross bar lower seat frame size 44 cm	Traverse assise inférieure taille 44 cm	
		<b>L2103X48PN</b>	Cross bar lower seat frame size 48 cm	Traverse assise inférieure taille 48 cm	
3	1		Lower seat tube left	Tube d'assise inférieure gauche	See exploded view p.16

Lower seat

Lower seat tubes





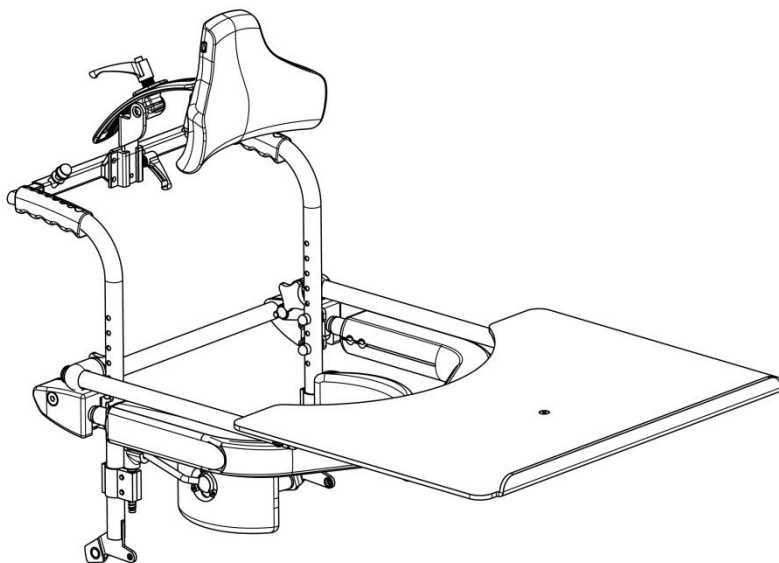
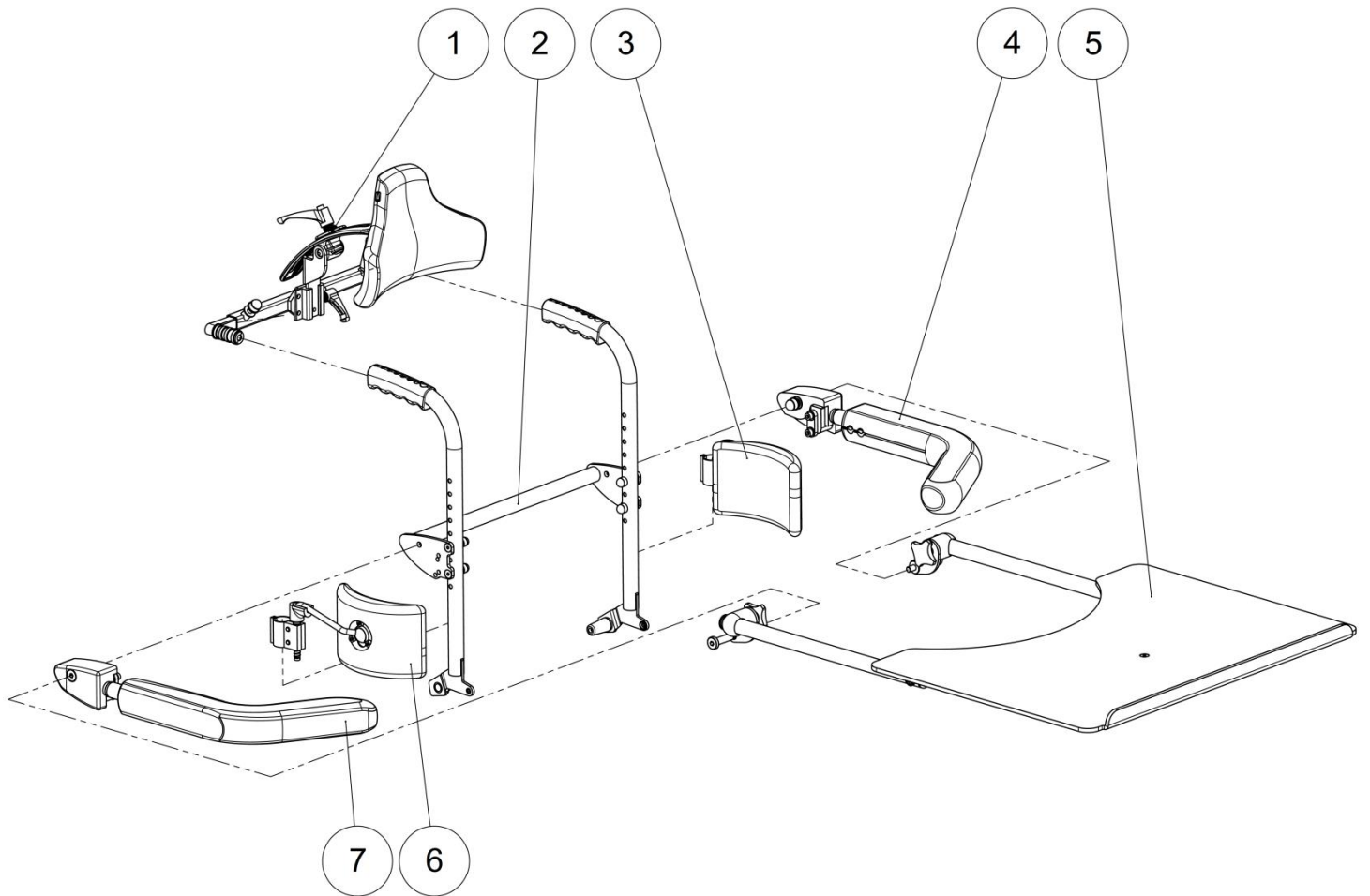
Lower seat

Lower seat tubes

## Lower seat tubes

Pos	Qty	Stock Code	Description En	Description Fr	Remark
1	2	<b>L0007080FO</b>	Collar bearing $\varnothing 8 \times \varnothing 10 \times 5.5 \text{mm}$	Coussinet a collerette $\varnothing 8 \times \varnothing 10 \times 5.5 \text{mm}$	
2	2		Lower seat tube	Tube assise inférieure	NOT FOR SALE L2101XXXPN
3	2	<b>A8003XXXZN</b>	Linkage axle	Axe articulation bielle	
4	4	<b>VIS-CHC6X20ZN</b>	Hexagon socket head cap screw M6x20	Vis tête cylindrique M6x20 six pans creux	
5	2	<b>VIS-CHC8X50ZN</b>	Hexagon socket head cap screw M8x50	Vis tête cylindrique M8x50 six pans creux	
6	2	<b>L0124XXXFO</b>	Stop roller	Galet de butée	
7	2	<b>L0122XXXFO</b>	Washer $\varnothing 8.2$ th. 8.5mm LS3	Entretoise $\varnothing 8.2$ ép. 8.5mm LS3	
8	2	<b>RON-M8ZN</b>	Plain washer $\varnothing 8$	Rondelle plate M $\varnothing 8$	
9	2	<b>ECR-HFR8ZN</b>	Prevailing torque type hexagon nut M8	Ecrou frein M8	
10	2	<b>L2106XXXAI</b>	Seat depth runner tube	Coulisseau d'assise	
11	2	<b>L2108XXXZN</b>	Screw M6x27	Vis coulisseau M6x27	
12	2	<b>L0123XXXFO</b>	Washer $\varnothing 6.2$ th. 5mm LS3	Entretoise $\varnothing 6.2$ ép. 5mm LS3	
13	1	<b>L8103LXXAI</b>	Left lower seat block	Bloc gauche assise inf. LS3	
	1	<b>L8103RXXAI</b>	Right lower seat block	Bloc droit assise inf. LS3	
14	2	<b>RON-M6ZN</b>	Plain washer $\varnothing 6$	Rondelle plate M $\varnothing 6$	
15	2	<b>VIS-CBHC6X8ZN</b>	Hexagon socket button head screw M6x8	Vis tête bombée M6x8 six pans creux	
16	4	<b>VIS-HC6X30ZN</b>	Hexagon socket set screw M6x30	Vis sans tête M6x30 six pans creux	
17	1	<b>322844</b>	Kit lower seat tube left	Kit tube d'assise inférieur gauche	
	1	<b>322845</b>	Kit lower seat tube right	Kit tube d'assise inférieur droit	
18	2	<b>322848</b>	Kit lower seat depth runner tube	Kit coulisseau d'assise inférieur	
19	1	<b>322846</b>	Kit lower seat bloc left	Kit bloc d'assise inférieur gauche	
	1	<b>322847</b>	Kit lower seat bloc right	Kit bloc d'assise inférieur droit	

Backrest





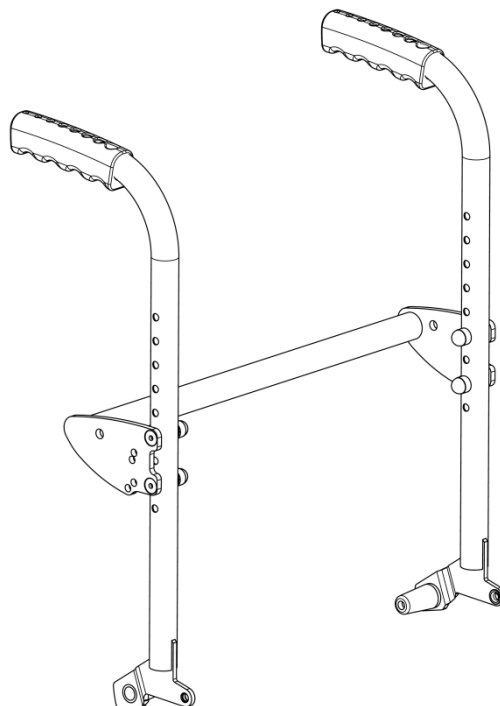
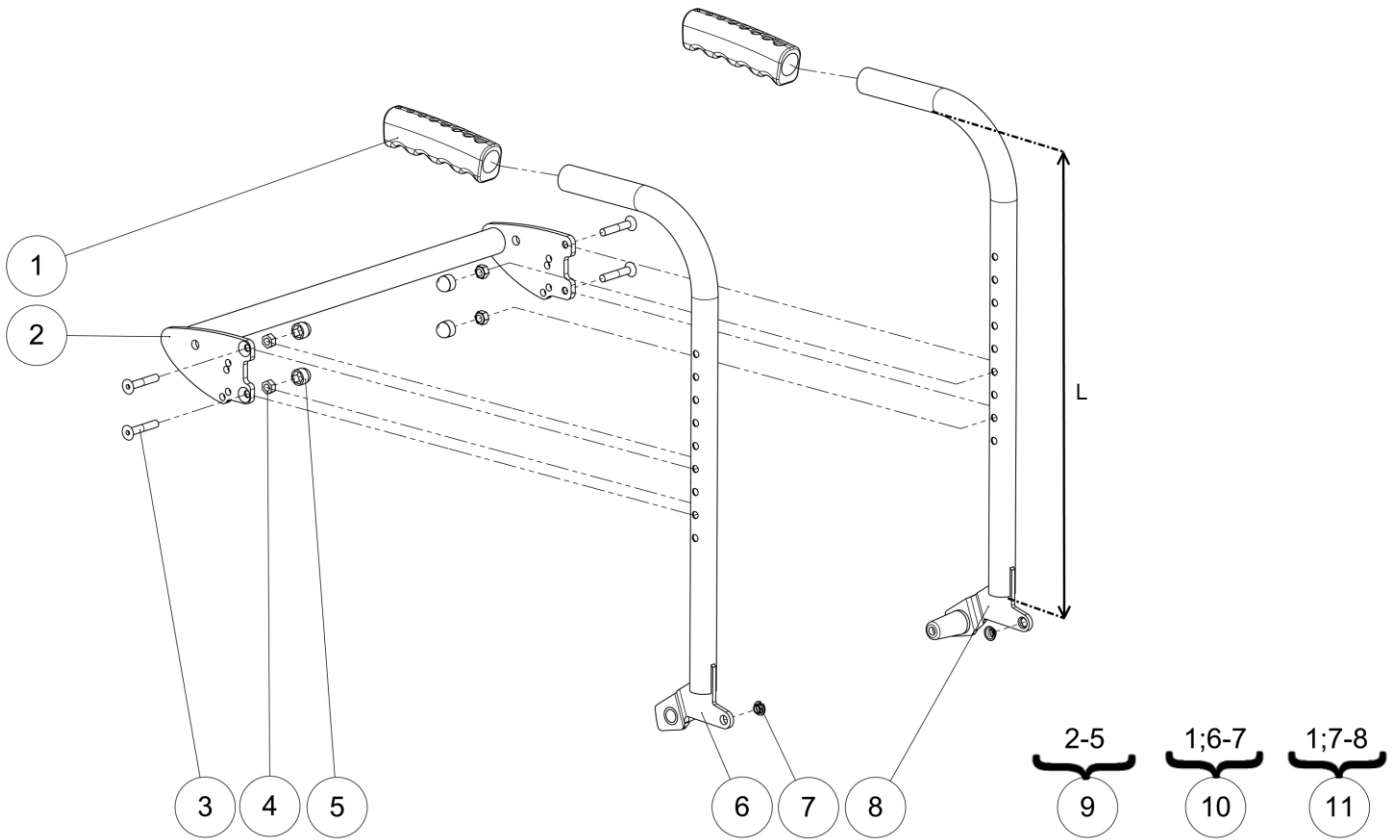
## Backrest

## Backrest

Pos	Qty	Stock Code	Description En	Description Fr	Remark
1	1		Headrest	Appuis tête	See exploded view p.24
2	1		Backrest tubes	Tubes dossier	See exploded view p.20
3	1		Trunk support left	Cale tronc gauche	See exploded view p.28
4	1		Left armrest	Accoudoir gauche	See exploded view p.22
5	1		Worktable	Table de travail	See exploded view p.26
6	1		Trunk support right	Cale tronc droit	See exploded view p.28
7	1		Right armrest	Accoudoir droit	See exploded view p.22

Backrest

Backrest tubes





Backrest

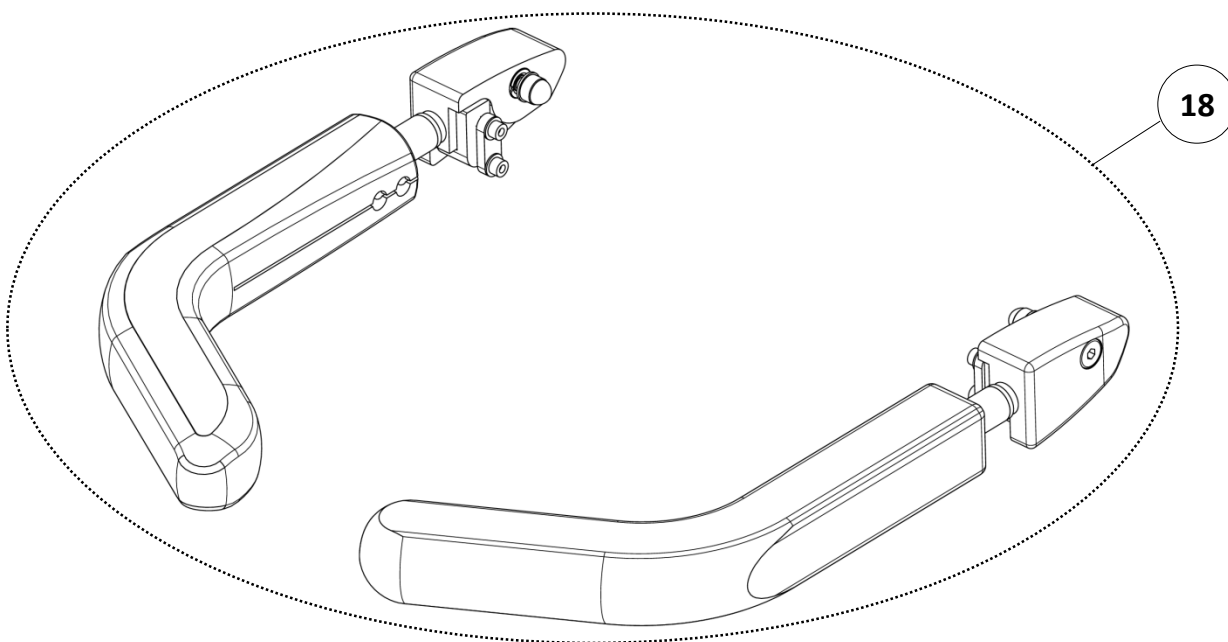
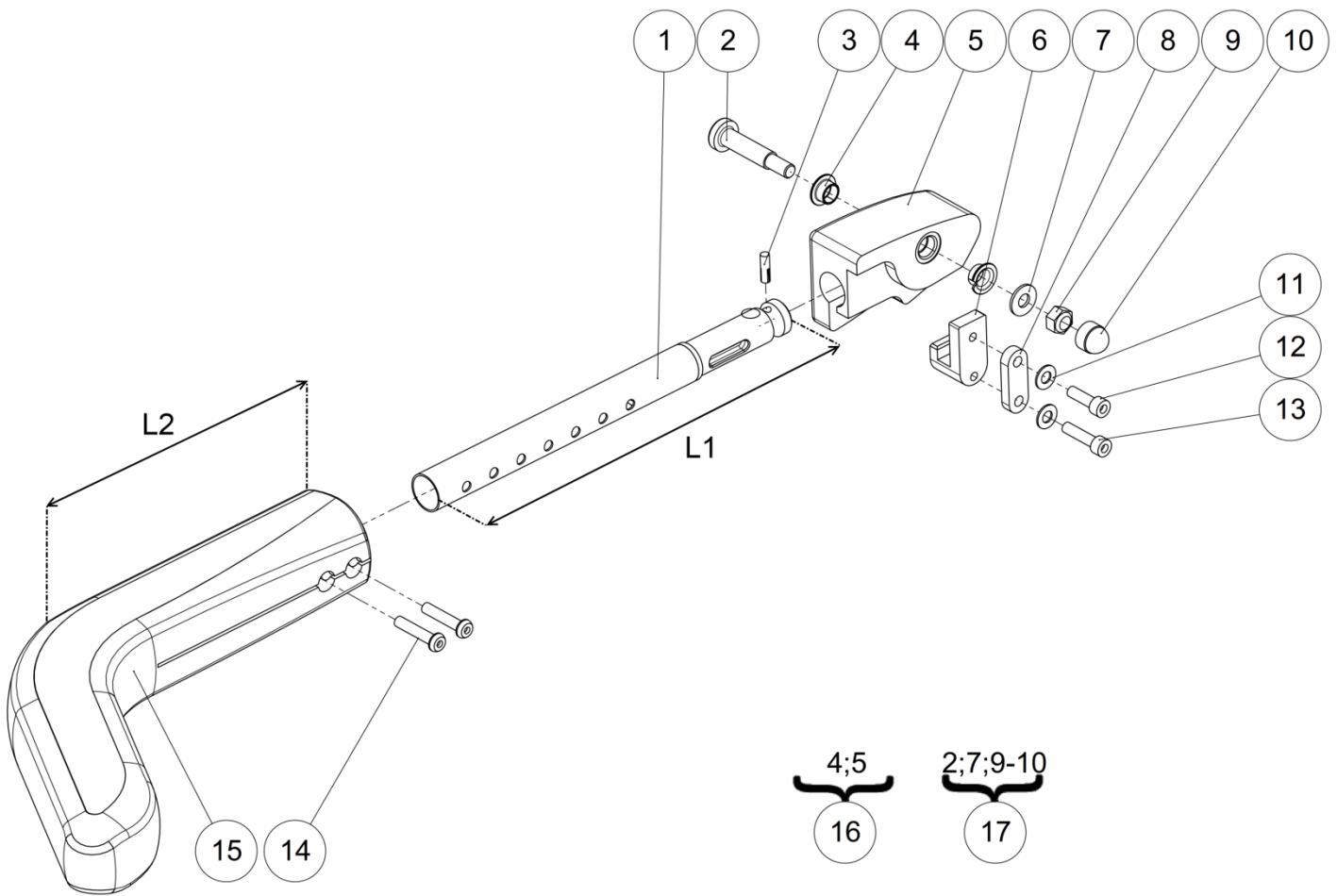
Backrest tubes

## Backrest Tubes

Pos	Qty	Stock Code	Description En	Description Fr	Remark
1	2	<b>L4004ERGFO</b>	Ergonomic handle	Poignée ergonomique	
2	1	<b>L4157X36PN</b>	Backrest cross tube size 36 cm	Traverse dossier taille 36 cm	
		<b>L4157X40PN</b>	Backrest cross tube size 40 cm	Traverse dossier taille 40 cm	
		<b>L4157X44PN</b>	Backrest cross tube size 44 cm	Traverse dossier taille 44 cm	
		<b>L4157X48PN</b>	Backrest cross tube size 48 cm	Traverse dossier taille 48 cm	
3	4	<b>VIS-FHC6X35ZN</b>	Hexagon socket countersunk head screw M6x35	Vis tête fraisée M6x35 six pans creux	
4	4	<b>ECR-HFR6ZN</b>	Prevailing torque type hexagon nut M6	Ecrou frein M6	
5	4	<b>C0215XXXFO</b>	Nut cap M6	Cache écrou M6	
6	1		Long right backrest tube	Montant dossier long droit	NOT FOR SALE L4102RREP L= 52 cm
			Right backrest tube	Montant dossier droit	NOT FOR SALE L4102RXXP L= 40 cm
			Short right backrest tube	Montant dossier court droit	NOT FOR SALE L4102RCOP L= 32 cm
7	2	<b>L0007060FO</b>	Collar bearing $\varnothing 6 \times \varnothing 8 \times 4$ mm	Coussinet à collerette $\varnothing 6 \times \varnothing 8 \times 4$ mm	
8	1		Long left backrest tube	Montant dossier long gauche	NOT FOR SALE L4102LREP L= 52 cm
			Left backrest tube	Montant dossier gauche	NOT FOR SALE L4102LXXP L= 40 cm
			Short left backrest tube	Montant dossier court gauche	NOT FOR SALE L4102LCOP L= 32 cm
9	1	<b>322850</b>	Kit backrest crosstube size 36 cm	Kit traverse de dossier taille 36 cm	
		<b>322851</b>	Kit backrest crosstube size 40 cm	Kit traverse de dossier taille 40 cm	
		<b>322852</b>	Kit backrest crosstube size 44 cm	Kit traverse de dossier taille 44 cm	
		<b>322853</b>	Kit backrest crosstube size 48 cm	Kit traverse de dossier taille 48 cm	
10	1	<b>322856</b>	Kit long right backrest tube	Kit montant dossier long droit	L= 52 cm
		<b>322854</b>	Kit right backrest tube	Kit montant dossier droit	L= 40 cm
		<b>322855</b>	Kit short right backrest tube	Kit montant dossier court droit	L= 32 cm
11	1	<b>322859</b>	Kit long left backrest tube	Kit montant dossier long gauche	L= 52 cm
		<b>322857</b>	Kit left backrest tube	Kit montant dossier gauche	L= 40 cm
		<b>322858</b>	Kit short left backrest tube	Kit montant dossier court gauche	L= 32 cm

Backrest

Armrests



Backrest

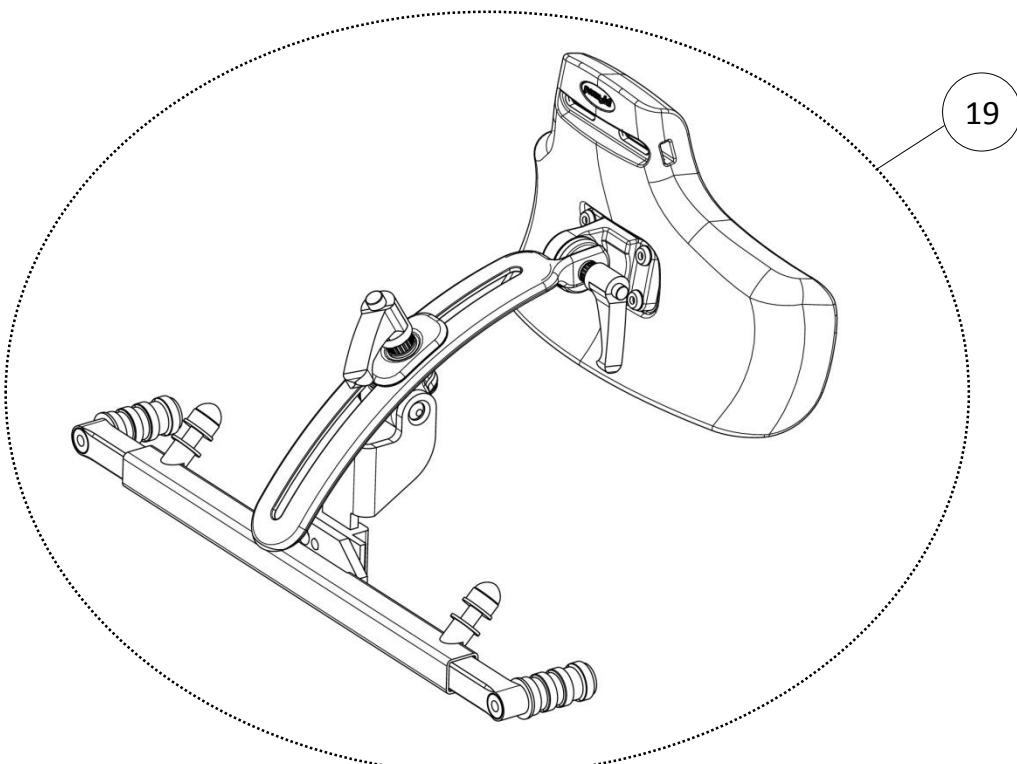
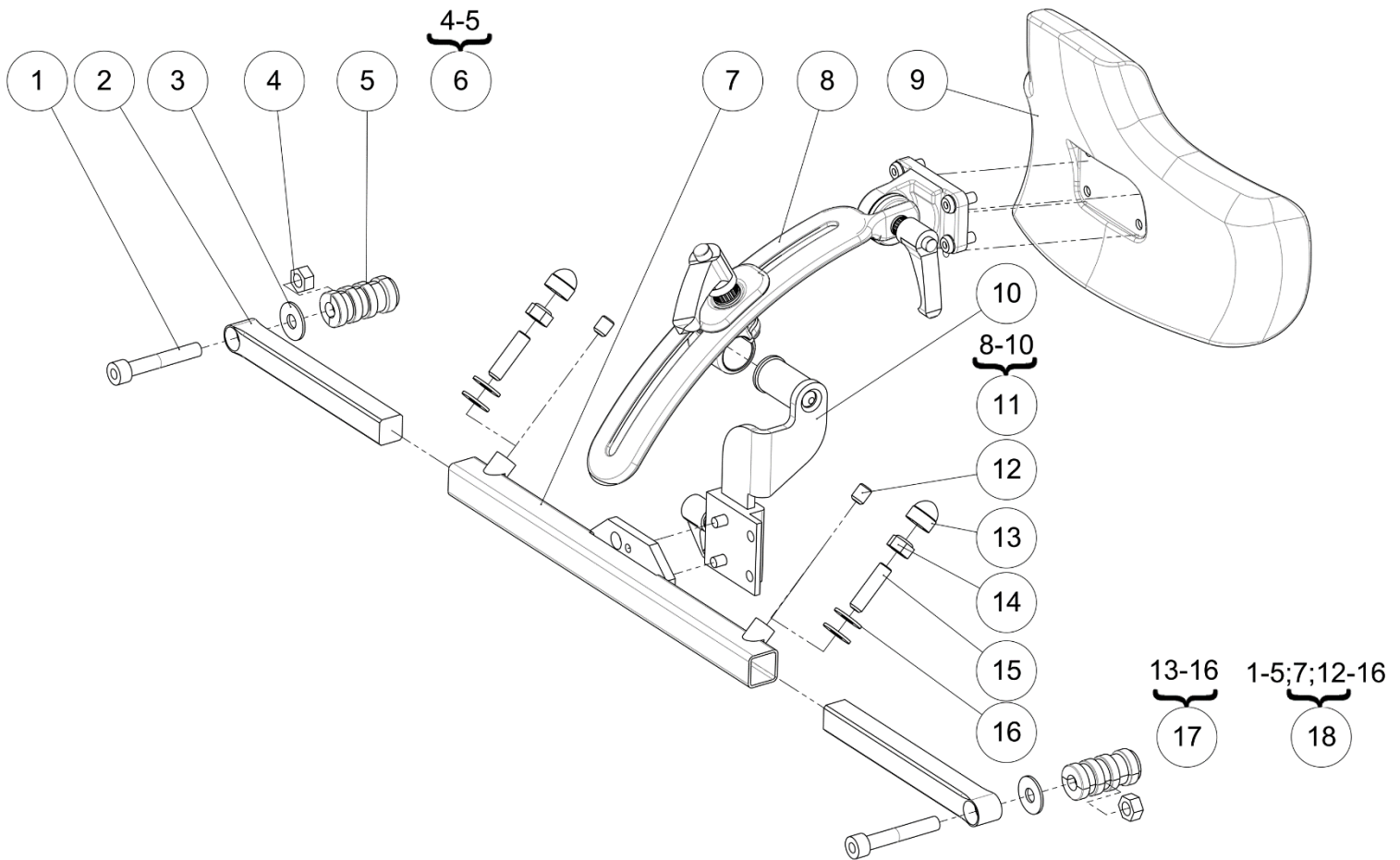
Armrests

## Armrests

Pos	Qty	Stock Code	Description En	Description Fr	Remark
1	1	L4155RXXZN	Right armrest tube	Tube accoudoir droit	L1=260mm
		L4155RSHZN	Right armrest tube short	Tube accoudoir court droit	L1=210mm
	1	L4155LXXZN	Left armrest tube	Tube accoudoir gauche	L1=260mm
		L4155LSHZN	Left armrest tube short	Tube accoudoir court gauche	L1=210mm
2	2	L4153XXXZN	Armrest nut spindle	Axe épaulé accoudoir	
3	1	GOU-CANN5X18BR	Fluted lock pin G06 Ø5x18mm	Goupille cannelée G06 Ø5x18mm	ONLY ON <u>LSE</u> REMOTE SIDE
4	4	L0007100FO	Collar bearing Ø10xØ12x7mm	Coussinet à collerette Ø10xØ12x7mm	
5	1		Right armrest nut	Noix accoudoir droit	NOT FOR SALE L4152RXXAI
	1		Left armrest nut	Noix accoudoir gauche	NOT FOR SALE L4152LXXAI
6	2	L4154XXXZN	Armrest hook	Crochet accoudoir	
7	2	RON-M8ZN	Plain washer Ø8	Rondelle plate M Ø8	
8	2	L4156XXXPN	Armrest catch	Taquet accoudoir	
9	2	ECR-HFR8ZN	Prevailing torque type hexagon nut M8	Ecrou frein M8	
10	2	C0214XXXFO	Nut cap M8	Cache écrou M8	
11	4	RON-M6ZN	Plain washer Ø6	Rondelle plate M Ø6	
12	2	VIS-CHC6X20ZN	Hexagon socket head cap screw M6x20	Vis tête cylindrique M6x20 six pans creux	
13	2	VIS-CHC6X25ZN	Hexagon socket head cap screw M6x25	Vis tête cylindrique M6x25 six pans creux	
14	4	VIS-CBHC6X30ZN	Hexagon socket button head screw M6x30	Vis tête bombée M6x30 six pans creux	
15	2	L4060XSHFO	Short armrest chest support	Accoudoir appui pectoral court	L2=150mm
		L4060XXXFO	Long armrest chest support	Accoudoir appui pectoral long	L2=200mm
16	1	322860	Kit right armrest nut	Kit noix accoudoir droit	
	1	322861	Kit left armrest nut	Kit noix accoudoir gauche	
17	2	322864	Kit fixation armrest (unit)	Kit de fixation accoudoir (l'unité)	
18	1	L4160XSHMONTE	Kit short armrests (pair)	Kit accoudoirs courts (paire)	L1=210mm L2=150mm
		L4160STDMONTE	Kit long armrests (pair)	Kit accoudoirs longs (paire)	L1=260mm L2=200mm

Backrest

Headrest



Backrest

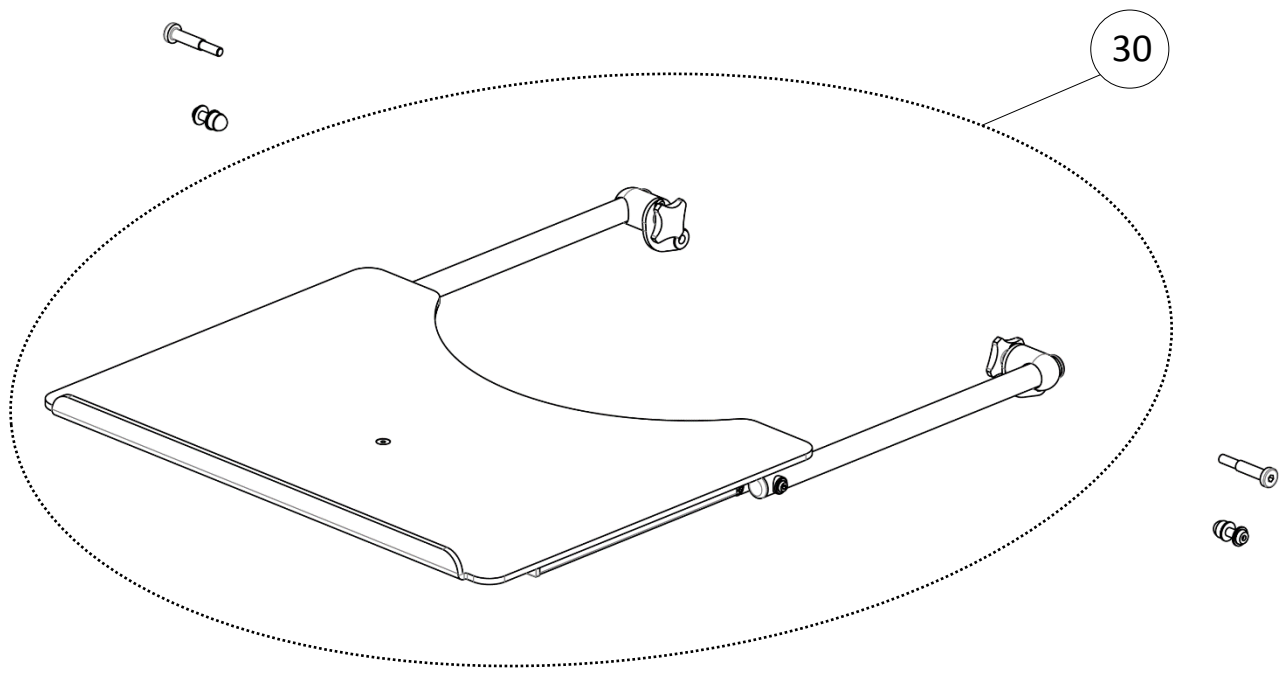
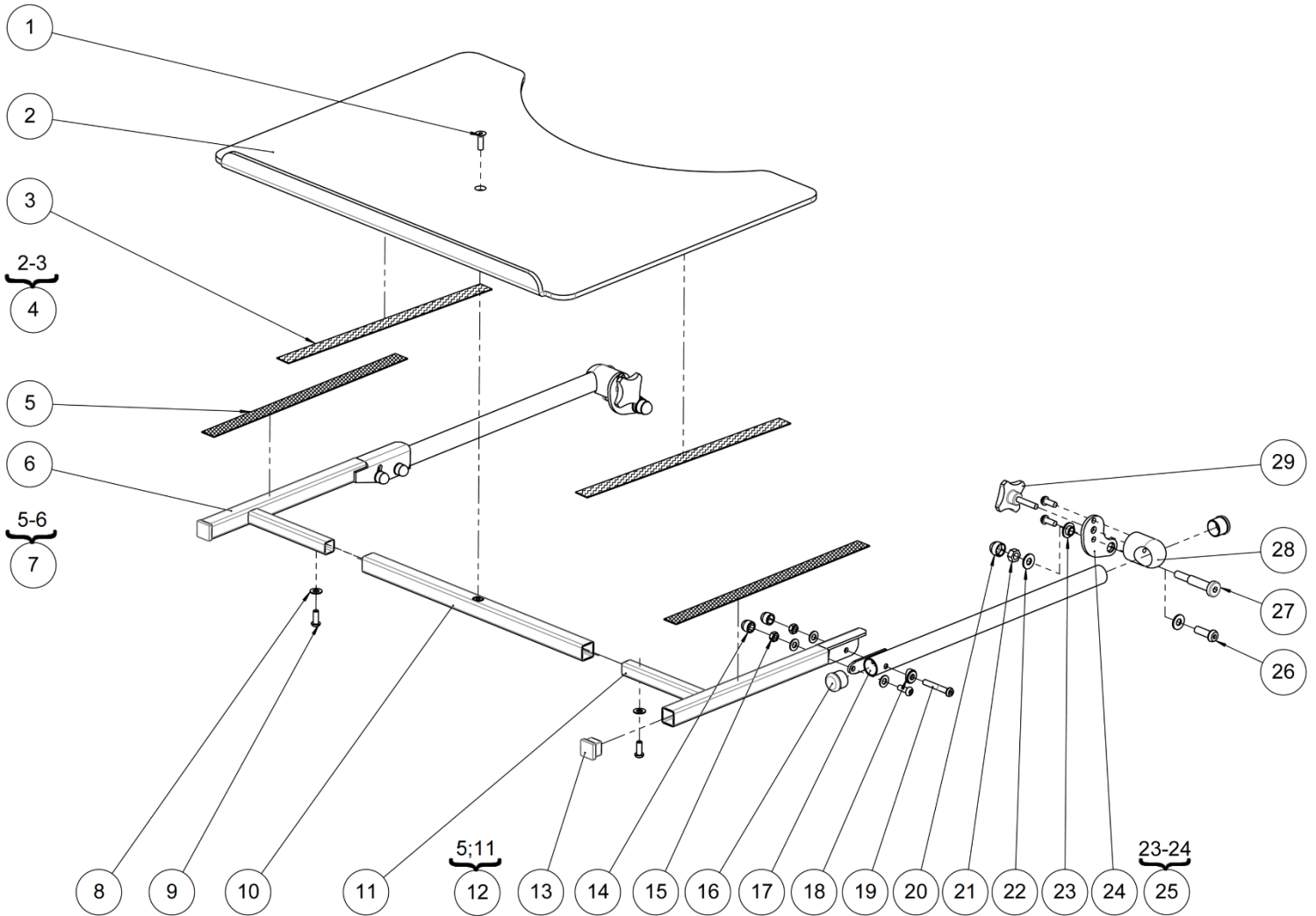
Headrest

## Headrest

Pos	Qty	Stock Code	Description En	Description Fr	Remark
1	2	<b>VIS-CHC8X50ZN</b>	Hexagon socket head cap screw M8x50	Vis tête cylindrique M8x50 six pans creux	
2	2	<b>L9037XXXAI</b>	Adjustment rod	Barre réglage appui-tête	
3	2	<b>RON-LL8ZN</b>	Fender washer Ø8	Rondelle plate LL Ø8	
4	2	<b>ECR-H8ZN</b>	Hexagon nut M8	Ecrou M8	
5	2		Casing Ø20	Douille expansive Ø20	NOT FOR SALE L9038XXXFO
6	2	<b>322865</b>	Kit casing	Kit douille expansive	For one side
7	1	<b>L9039XXXPN</b>	Headrest crossbar	Traverse appui-tête universelle	
8	1	<b>P1823234</b>	Head support bracket	Fixation appui-tête	
9	1	<b>P1822868</b>	Headrest cushion	Coussin appui-tête	
10	1	<b>P1823235</b>	Head support bracket backrest	Fixation appui-tête dossier	
11	1	<b>322866</b>	Kit headrest	Kit appui-tête	
12	2	<b>VIS-HC8X10ZN</b>	Hexagon socket set screw M8x10	Vis sans tête M8x10 six pans creux	
13	2	<b>C0214XXXFO</b>	Nut cap M8	Cache écrou M8	
14	2	<b>ECR-HFR8ZN</b>	Prevailing torque type hexagon nut M8	Ecrou frein M8	
15	2	<b>VIS-HC8X30ZN</b>	Hexagon socket set screw M8x30	Vis sans tête M8x30 six pans creux	
16	4	<b>RON-M8ZN</b>	Plain washer Ø8	Rondelle plate M Ø8	
17	1	<b>L9026XXXFO</b>	Kit harness fixation (pair)	Kit fixation harnais (paire)	
18	1	<b>L9029XXXFO</b>	Kit headrest support and harness fixation	Kit support appui-tête et fixation harnais	
19	1	<b>L9028XXXFO</b>	Kit headrest	Kit appui-tête	

Backrest

Worktable





Backrest

Worktable

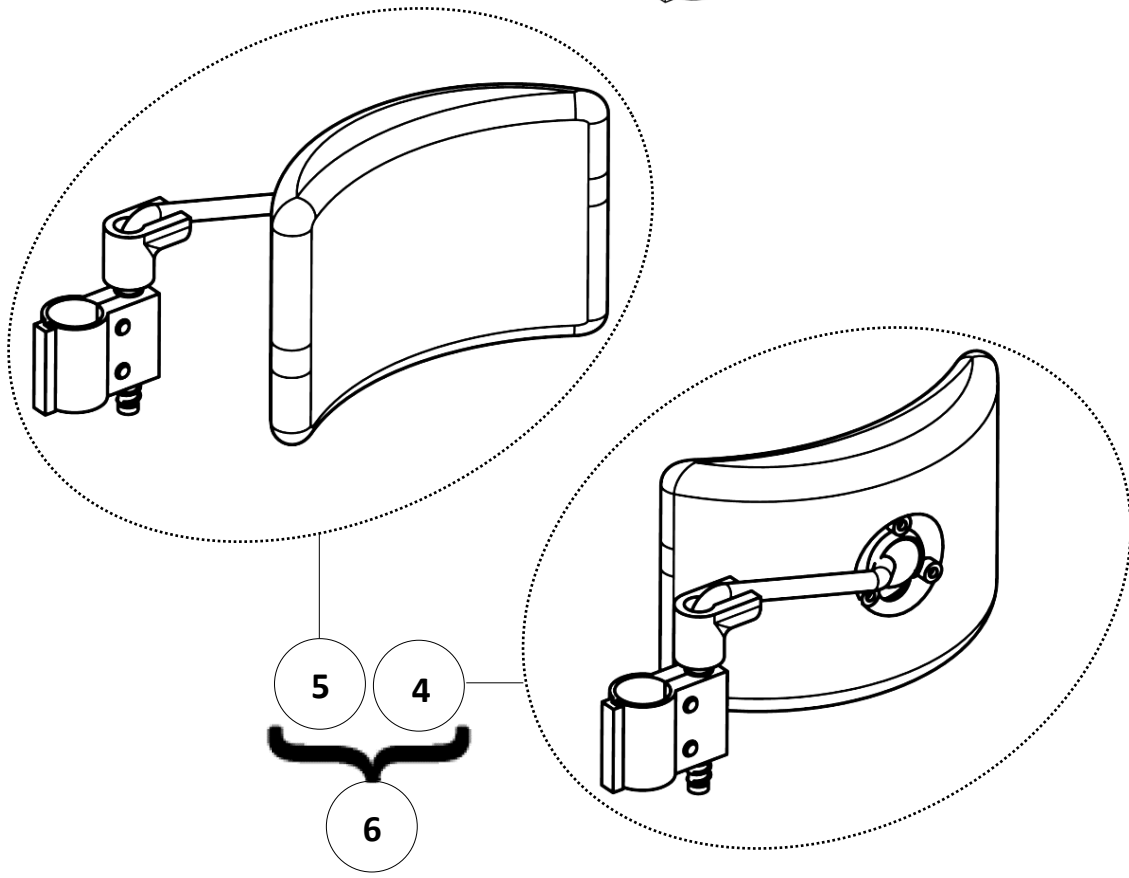
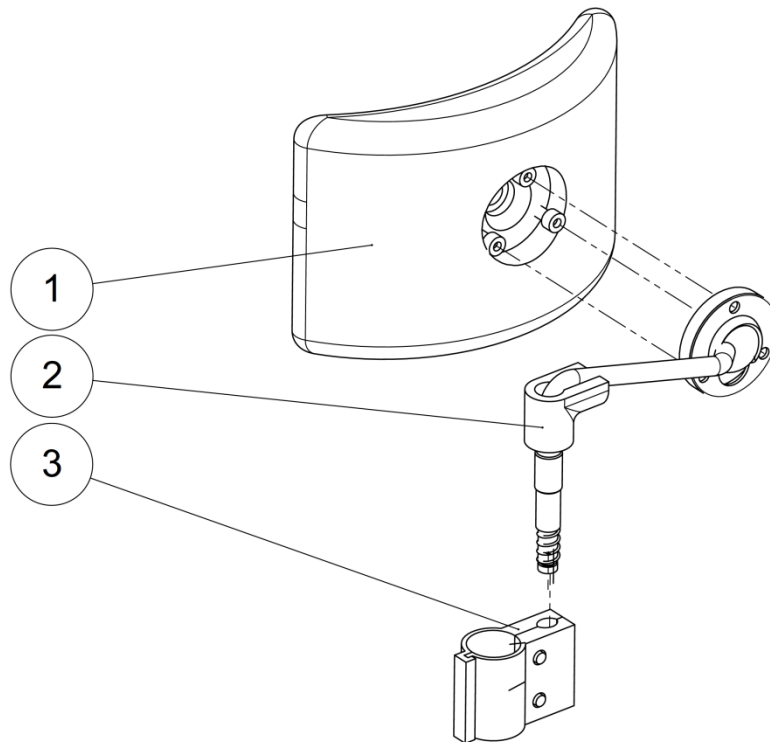
## Worktable

Pos	Qty	Stock Code	Description En	Description Fr	Remark
1	1	<b>VIS-FHC6X20ZN</b>	Hexagon socket countersunk head screw M6x20	Vis tête fraisée M6x20 six pans creux	
2	1		Tray Table	Tablette	NOT FOR SALE L9001XXXFO
3	0.04		Black Velcro strap sticker 2cm-0.7" hook 20m long	Velcro adhésif crochet noir 2cm de 20m de long	NOT FOR SALE L6050CROFO
4	1	<b>322945</b>	Kit tray table + velcro	Kit tablette + Velcro	Specify wheelchair size
5	0.04		Black Velcro strap sticker 2cm-0.7" velvet 20 meters long	Velcro adhésif velours noir 2cm de 20 mètres	NOT FOR SALE L6050VELFO
6	1		Right support tube tray	Tube appui tablette droit	NOT FOR SALE L9002RXXCR
7	1	<b>322943</b>	Kit support tube + velcro right	Kit tube support + velcro droit	
8	8	<b>RON-M6ZN</b>	Plain washer Ø6	Rondelle plate M Ø6	
9	8	<b>VIS-CBHC6X16ZN</b>	Hexagon socket button head screw M6x16	Vis tête bombée M6x16 six pans creux	
10	1	<b>L9004XXXPN</b>	Tray support joint tube	Traverse sous tablette	
11	1		Left support tube tray	Tube appui tablette gauche	NOT FOR SALE L9002LXXCR
12	1	<b>322944</b>	Kit support tube + velcro left	Kit tube support + velcro gauche	
13	2	<b>L0002020FO</b>	Black cap for tube 20x20mm	Bouchon plastique noir 20x20mm	
14	4	<b>C0215XXXFO</b>	Nut cap M6	Cache écrou M6	
15	4	<b>ECR-HFR6ZN</b>	Prevailing torque type hexagon nut M6	Ecrou frein M6	
16	2	<b>L0005221FO</b>	Black cap for tube Ø22.1mm	Bouchon plastique noir pour tube	
17	2	<b>L9003XXXCR</b>	Depth adjustment tube	Tube de réglage	
18	2	<b>L0002221AI</b>	Concave washer for tube Ø22.1mm	Coupelle pour tube Ø22.1mm	
19	2	<b>VIS-CBHC6X40ZN</b>	Hexagon socket button head screw M6x40	Vis tête bombée M6x40 six pans creux	
20	0-2	<b>C0214XXXFO</b>	Nut cap M8	Cache écrou M8	For LS without armrests only.
21	0-2	<b>ECR-HFR8ZN</b>	Prevailing torque type hexagon nut M8	Ecrou frein M8	For LS without armrests only.
22	0-4	<b>RON-M8ZN</b>	Plain washer Ø8	Rondelle plate M Ø8	For LS without armrests only.
23	2	<b>L9112XXXZN</b>	Tray table spacer	Entretoise pour tablette	
24	2		Tray table support	Support tablette	NOT FOR SALE L9110XXXPN
25	1	<b>322867</b> <b>322868</b>	Kit tray table bracket left Kit tray table bracket right	Kit plaque tablette gauche Kit plaque tablette droite	
26	0-2	<b>602165</b>	Hexagon socket button head screw M8x25	Vis tête bombée M8x25 six pans creux	For LS without armrests only.
27	0-2	<b>L9113XXXZN</b>	Special axle	Axe épaulé accouoir	With armrests instead of L4153XXXZN pos.2 p.22.
28	2	<b>L9111XXXAI</b>	Tray table nut	Noix de tablette	
29	2	<b>SX020XXXFO</b>	Adjustment knob M6x30	Poignée trio M6x30	
30	1	<b>L9100XXXFO</b>	Kit complete tray set	Kit tablette	Specify wheelchair size.



Backrest

Trunk support







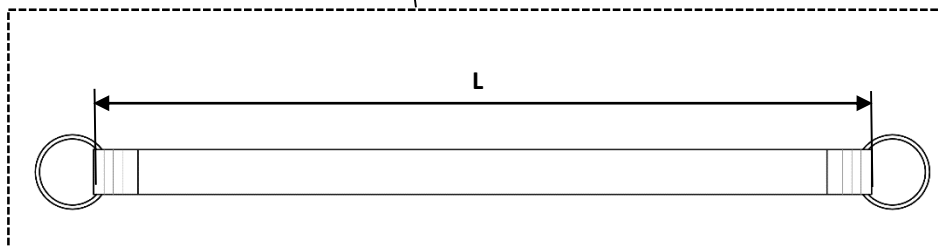
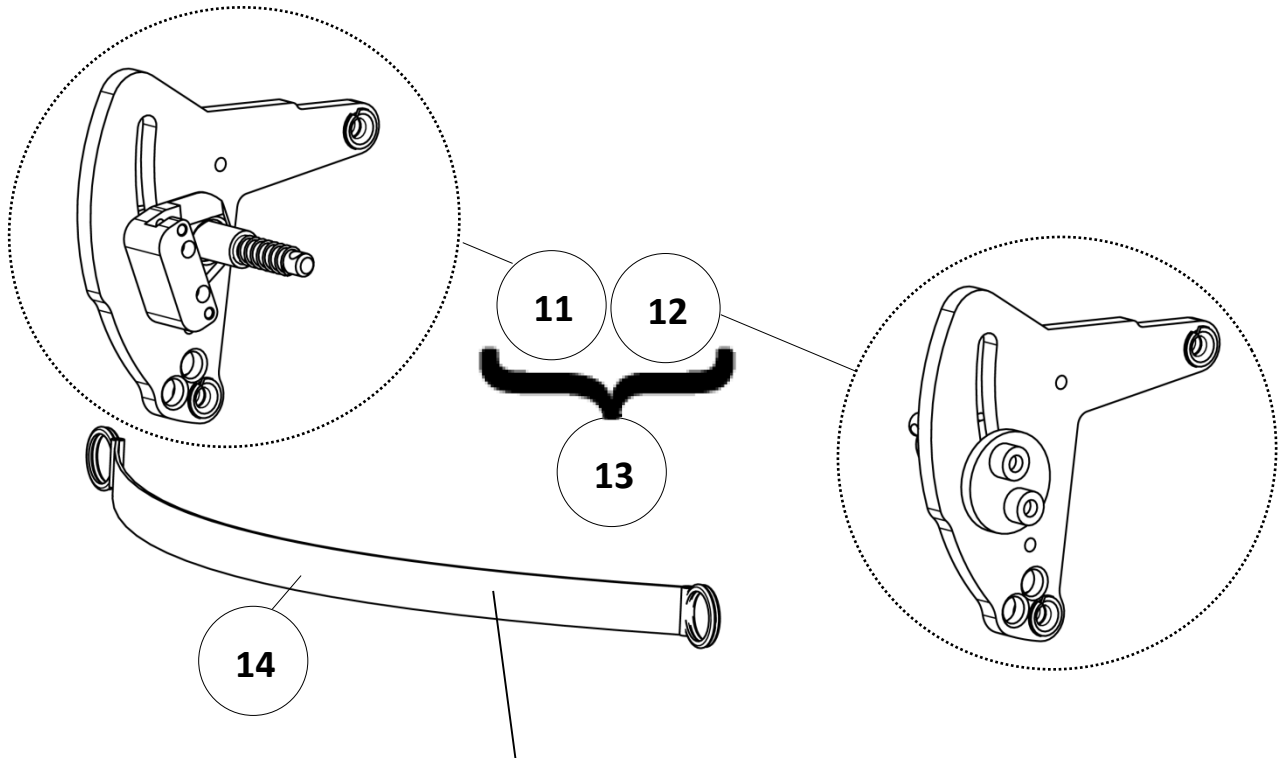
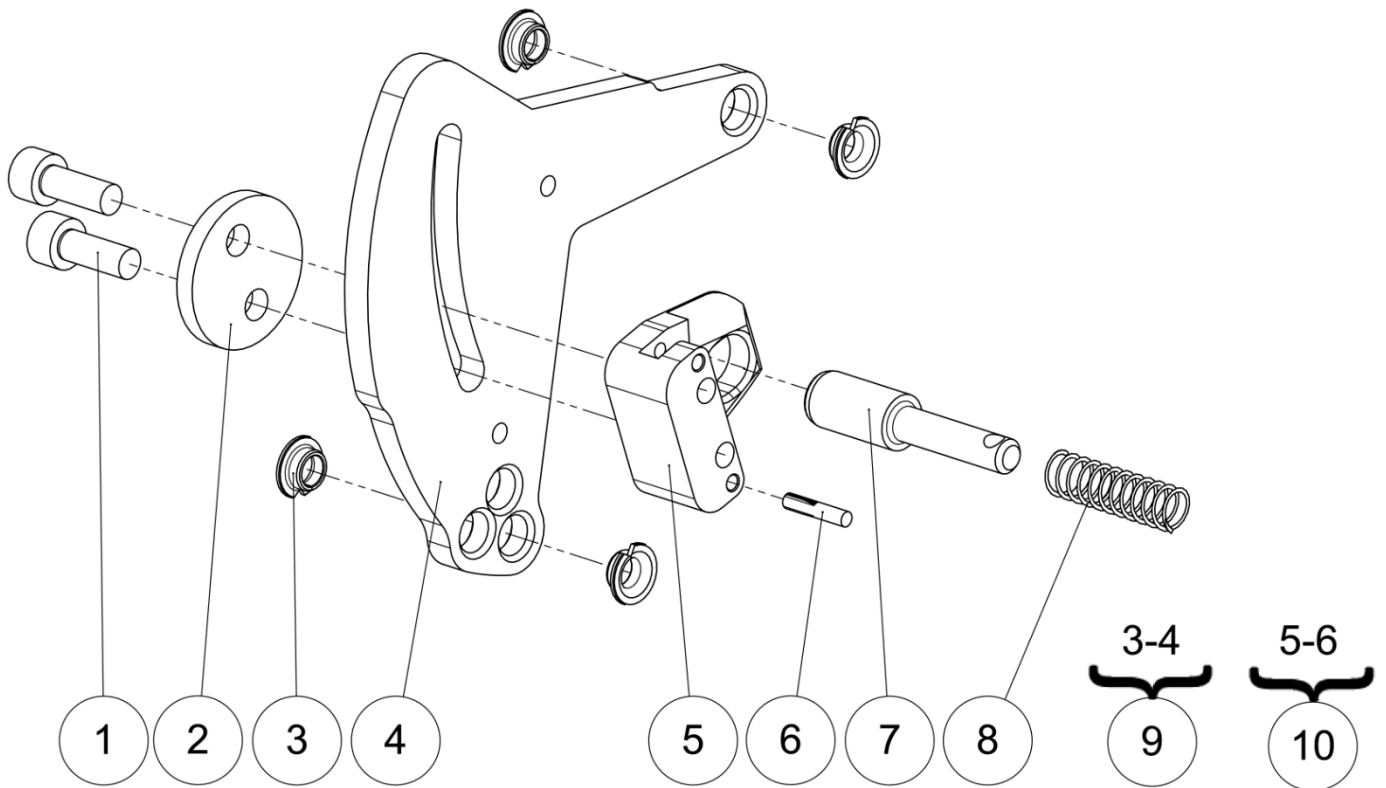
Backrest

Trunk support

## Trunk support

Pos	Qty	Stock Code	Description En	Description Fr	Remark
1	2	L9070XXXFO	Thoracic support cushion	Coussin soutien thoracique	
2	1	L9071RXXFO	Right trunk support	Support cale tronc droit	
	1	L9071LXXFO	Left trunk support	Support cale tronc gauche	
3	2	L9074XXXFO	Fixing tube Ø22.2mm for trunk support	Bride de fixation tube Ø22.2mm cale tronc	
4	1	L9079RXXFO	Kit trunk support right	Kit cale tronc droit	
5	1	L9079LXXFO	Kit trunk support left	Kit cale tronc gauche	
6	1	L9079XXXFO	Kit trunk support (pair)	Kit cale tronc (paire)	

Side hub

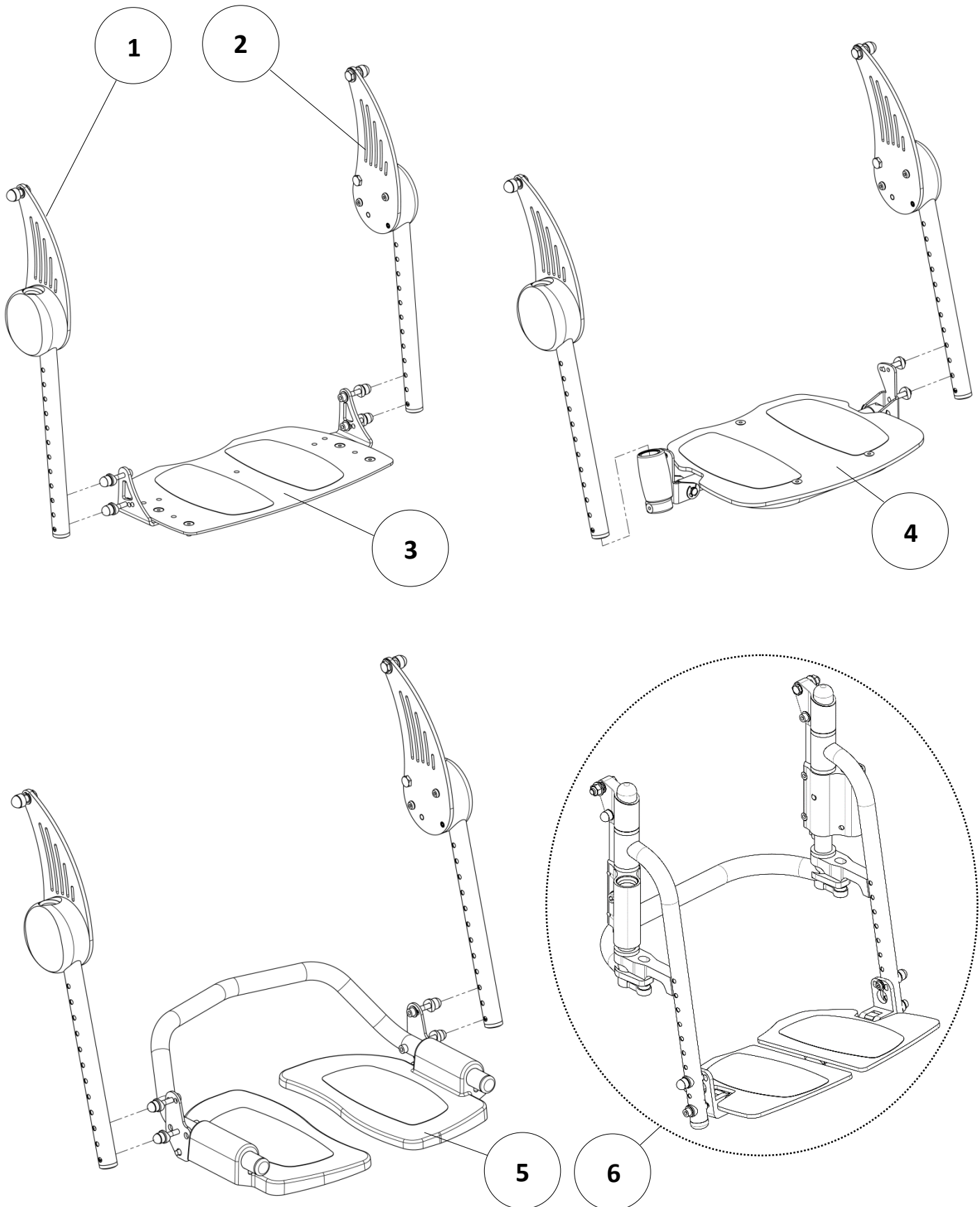


## Side hub

## Side hub

Pos	Qty	Stock Code	Description En	Description Fr	Remark
1	4	<b>VIS-CHC6X16ZN</b>	Hexagon socket head cap screw M6x16	Vis tête cylindrique M6x16 six pans creux	
2	2	<b>L4109XXXPN</b>	Locking plate backrest	Plaquette verrou dossier	
3	8	<b>L0007060FO</b>	Collar bearing $\varnothing 6 \times \varnothing 8 \times 4$ mm	Coussinet à collerette $\varnothing 6 \times \varnothing 8 \times 4$ mm	
4	2		Backrest plate	Joue pour dossier	NOT FOR SALE L1101XXXAI
5	2		Backrest locking block	Bloc verrou dossier	NOT FOR SALE L4108XXXZN
6	2	<b>GOU-CANN3X16BR</b>	Fluted lock pin G02 $\varnothing 3 \times 16$ mm	Goupille cannelée G02 $\varnothing 3 \times 16$ mm	
7	2	<b>L1106XXXZN</b>	Backrest lock spindle	Axe verrouillage dossier	
8	2	<b>A4009XXXFO</b>	Backrest spring $\varnothing 8$	Ressort de dossier $\varnothing 8$	
9	2	<b>322869</b>	Kit side hub bracket	Kit plaque articulation dossier	
10	1	<b>322870</b>	Kit backrest blocking spindle left	Kit bloc de verrouillage gauche	
	1	<b>322871</b>	Kit backrest blocking spindle right	Kit bloc de verrouillage droit	
11	1	<b>322872</b>	Kit backrest hub left	Kit articulation de dossier gauche	
12	1	<b>322873</b>	Kit backrest hub right	Kit articulation de dossier droite	
13	1	<b>322874</b>	Kit backrest hub (pair)	Kit articulation de dossier (paire)	
14	1	<b>L4003X36FO</b>	Backrest cord size 36 cm	Cordelette dossier taille 36 cm	L = 260 mm
		<b>L4003X40FO</b>	Backrest cord size 40 cm	Cordelette dossier taille 40 cm	L = 300 mm
		<b>L4003X44FO</b>	Backrest cord size 44 cm	Cordelette dossier taille 44 cm	L = 340 mm
		<b>L4003X48FO</b>	Backrest cord size 48 cm	Cordelette dossier taille 48 cm	L = 380 mm

Legrest





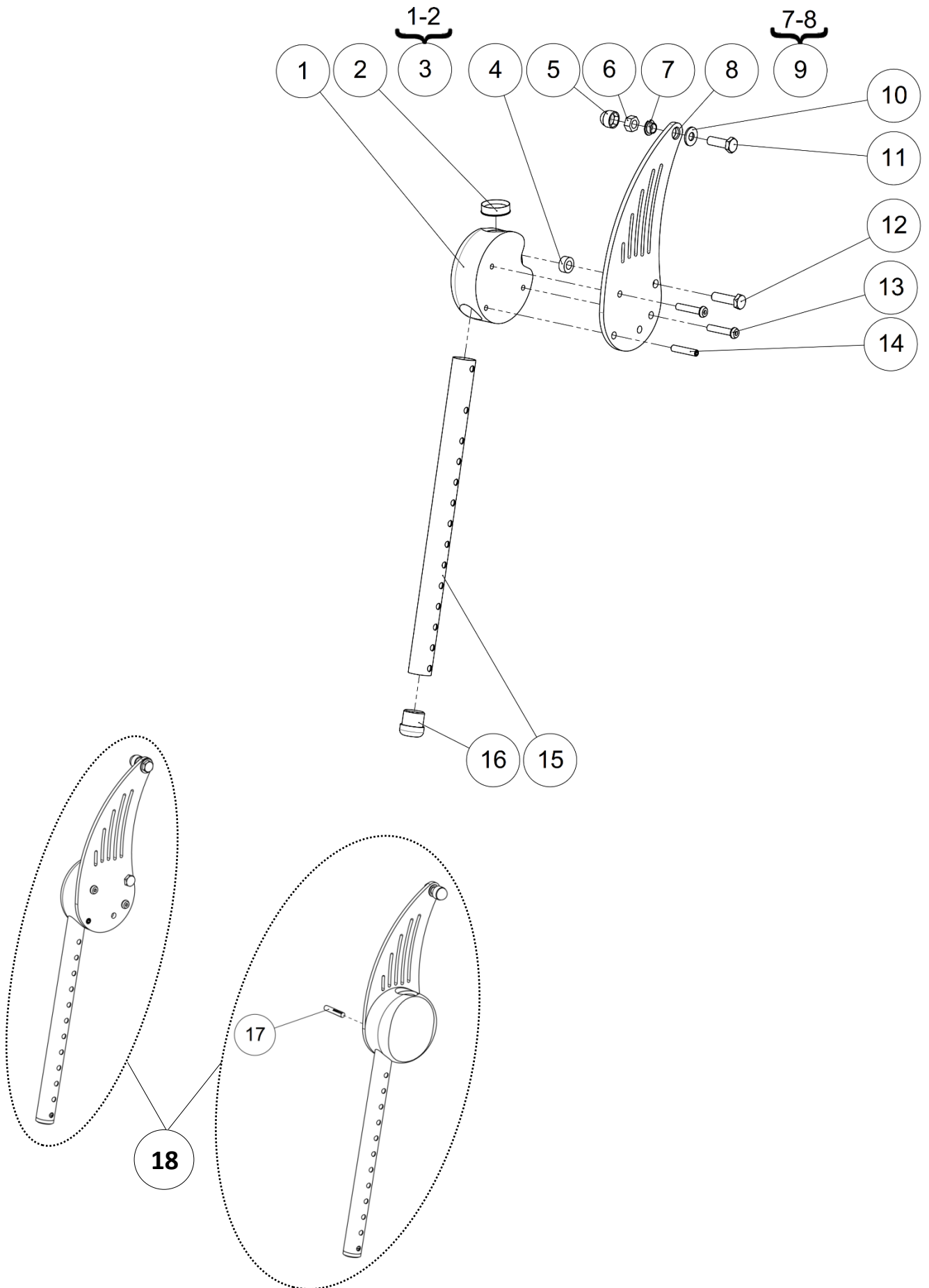
## Legrest

## Legrest

Pos	Qty	Stock Code	Description En	Description Fr	Remark
1	3		Footrest support right	Support jambier droit	See exploded view p.34
2	3		Footrest support left	Support jambier gauche	See exploded view p.34
3	1		Fixed footrest	Palette fixe	See exploded view p.36
4	1		Footrest flip up and fold away	Palette relevable escamotable	See exploded view p.38
5	1		Dual footrest flip up	Bi-palette relevable	See exploded view p.40
6	1		Dual footrest flip up and fold away	Bi-palette relevable escamotable	See exploded view p.42

Legrest

Footrest supports



Legrest

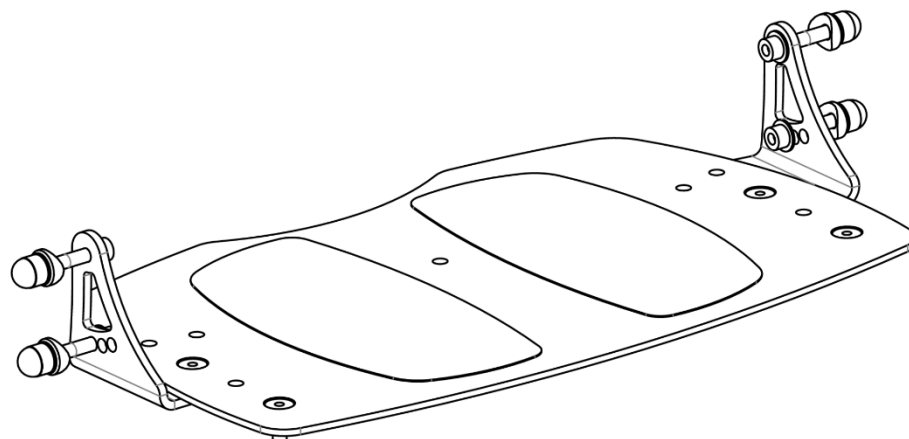
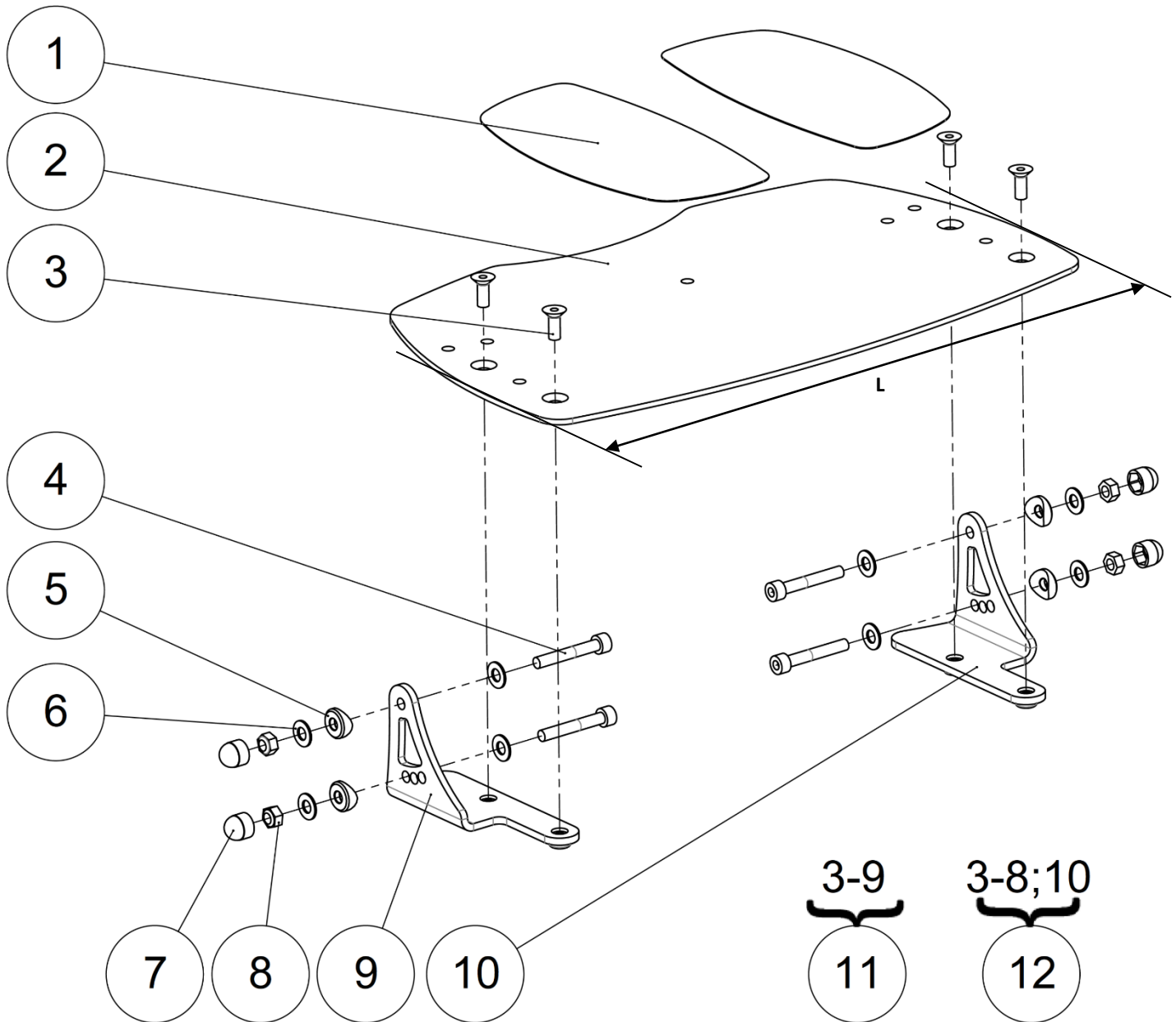
Footrest supports

## Footrest supports

Pos	Qty	Stock Code	Description En	Description Fr	Remark
1	1		Left footrest nut	Noix de jambier gauche	NOT FOR SALE
	1		Right footrest nut	Noix de jambier droit	NOT FOR SALE
2	2	<b>L3035XXXFO</b>	Sleeve-guide ring	Bague de guidage fourreau	
3	1	<b>L3121LXXAI</b>	Kit left sleeve footrest support	Kit noix de jambier gauche	
	1	<b>L3121RXXAI</b>	Kit right sleeve footrest support	Kit noix de jambier droit	
4	2	<b>L0116XXXFO</b>	Washer Ø8.2 th.6.3mm	Cale Ø8.2 ép.6.3mm	
5	2	<b>C0214XXXFO</b>	Nut cap M8	Cache écrou M8	
6	2	<b>ECR-HFR8ZN</b>	Prevailing torque type hexagon nut M8	Ecrou frein M8	
7	2	<b>L0007080FO</b>	Collar bearing Ø8xØ10x5.5mm	Coussinet a collerette Ø8xØ10x5.5mm	
8	2		Footrest side plate	Joue repose pied	NOT FOR SALE L3120XXXAI
9	1	<b>322875</b>	Kit footrest support bracket right	Kit plaque support palette droit	
	1	<b>322876</b>	Kit footrest support bracket left	Kit plaque support palette gauche	
10	2	<b>RON-M8ZN</b>	Plain washer Ø8	Rondelle plate M Ø8	
11	2	<b>L0018XXXZN</b>	Axle Ø8x25mm	Axe Ø8x25mm	
12	2	<b>L0117XXXZN</b>	Screw M8-30-11.5	Axe M8-30-11.5	
13	4	<b>VIS-CBHC6X30ZN</b>	Hexagon socket button head screw M6x30	Vis tête bombée M6x30 six pans creux	
14	2	<b>VIS-HC6X30ZN</b>	Hexagon socket set screw M6x30	Vis sans tête M6x30 six pans creux	
15	2	<b>L3106XXXPN</b>	Footrest tube	Montant repose pied	
16	2	<b>L0006195FO</b>	Footrest plug Ø19.5mm + wedge	Tampon RP Ø19.5mm + cheville	
17	1	<b>GOU-CANN6X35BR</b>	Fluted lock pin G02 Ø6x35mm	Goupille cannelée G02 Ø6x35mm	
18	1	<b>L9154XXXFO</b>	Kit footrest support (pair)	Kit support jambier (paire)	

Legrest

Fixed footrest





Legrest

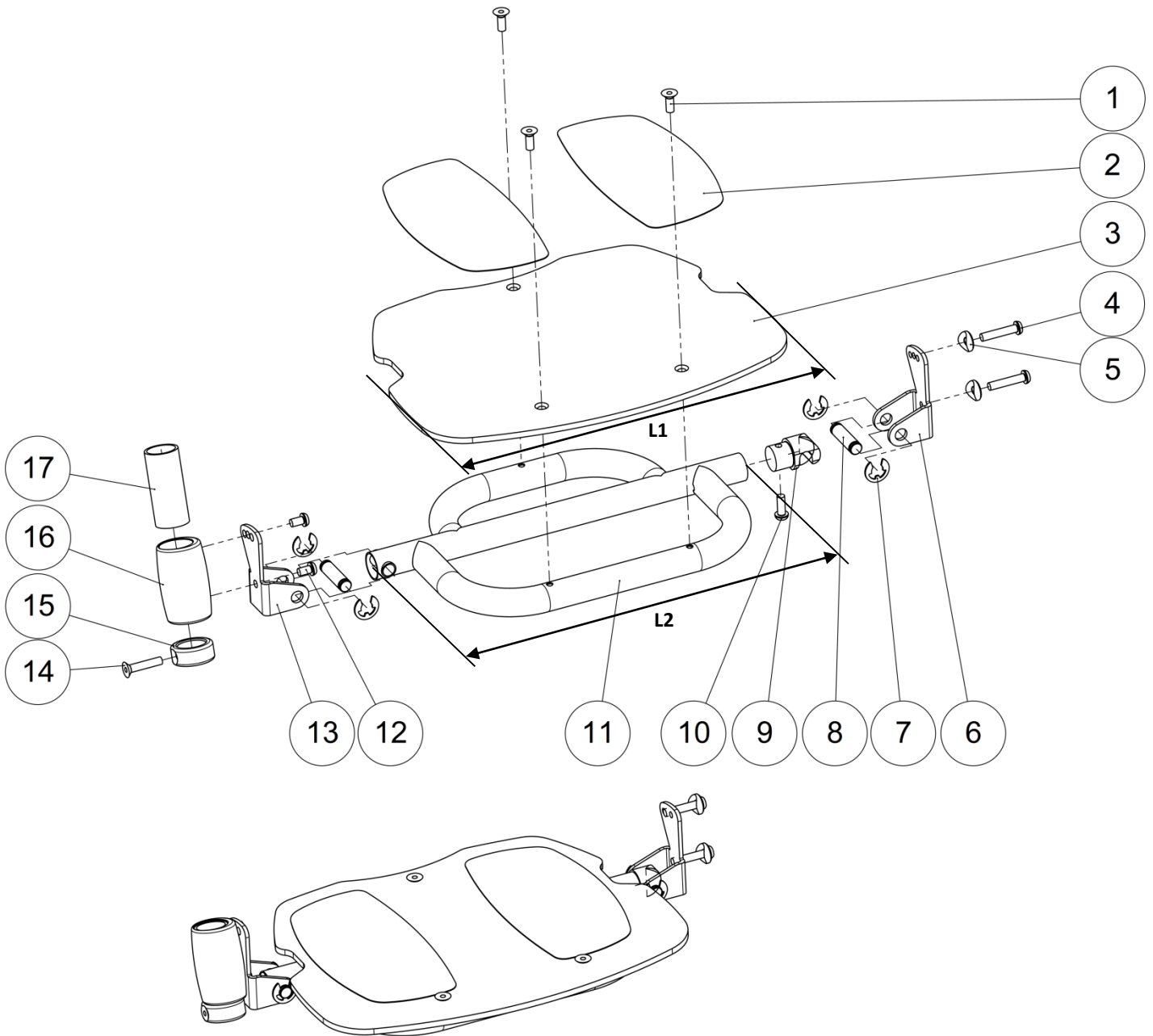
Fixed footrest

## Fixed footrest

Pos	Qty	Stock Code	Description En	Description Fr	Remark
1	2	<b>F0030XXXFO</b>	Anti skid sticker	Anti dérapant prédécoupé	
2	1	<b>L1230X36FO</b>	Footplate size 36 cm	Palette taille 36 cm	L = 320mm
		<b>L1230X40FO</b>	Footplate size 40 cm	Palette taille 40 cm	L = 360mm
		<b>L1230X44FO</b>	Footplate size 44 cm	Palette taille 44 cm	L = 400mm
		<b>L1230X48FO</b>	Footplate size 48 cm	Palette taille 48 cm	L = 440mm
3	4	<b>VIS-FHC6X16ZN</b>	Hexagon socket countersunk head screw M6x16	Vis tête fraisée M6x16 six pans creux	
4	4	<b>VIS-CHC6X40ZN</b>	Hexagon socket head cap screw M6x40	Vis tête cylindrique M6x40 six pans creux	
5	4	<b>L0002221AI</b>	Concave washer for tube Ø22.1mm	Coupelle pour tube Ø22.1mm	
6	8	<b>RON-M6ZN</b>	Plain washer Ø6	Rondelle plate M Ø6	
7	4	<b>C0215XXXFO</b>	Nut cap M6	Cache écrou M6	
8	4	<b>ECR-HFR6ZN</b>	Prevailing torque type hexagon nut M6	Ecrou frein M6	
9	1	<b>L3102RXXPN</b>	Right footrest bracket	Equerre droite repose pied	
10	1	<b>L3102LXXPN</b>	Left footrest bracket	Equerre gauche repose pied	
11	1	<b>322877</b>	Kit fixation footrest right	Kit de fixation palette droit	
12	1	<b>322878</b>	Kit fixation footrest left	Kit de fixation palette gauche	

Legrest

Footrest flip up and fold away



Legrest

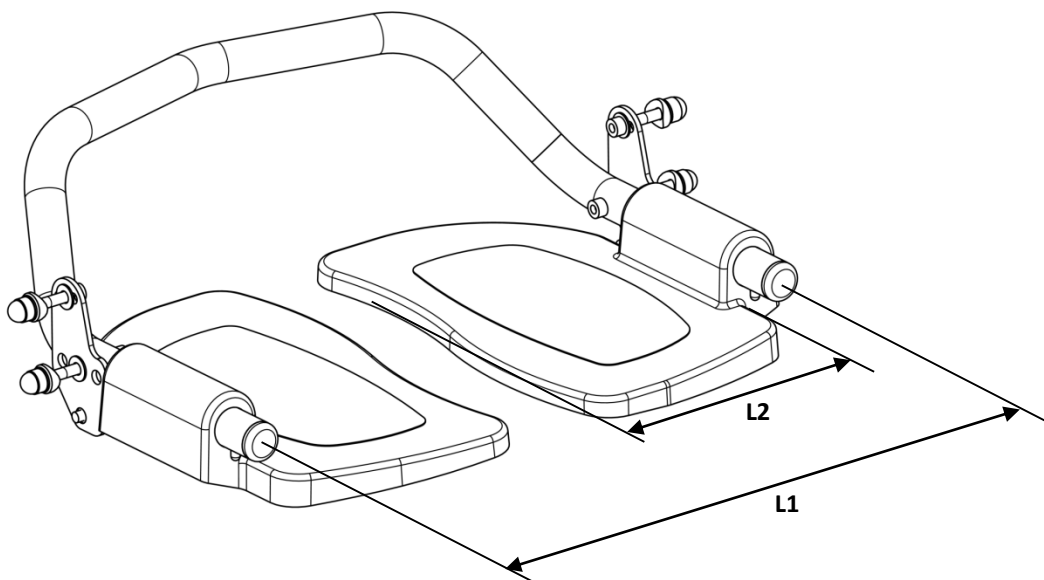
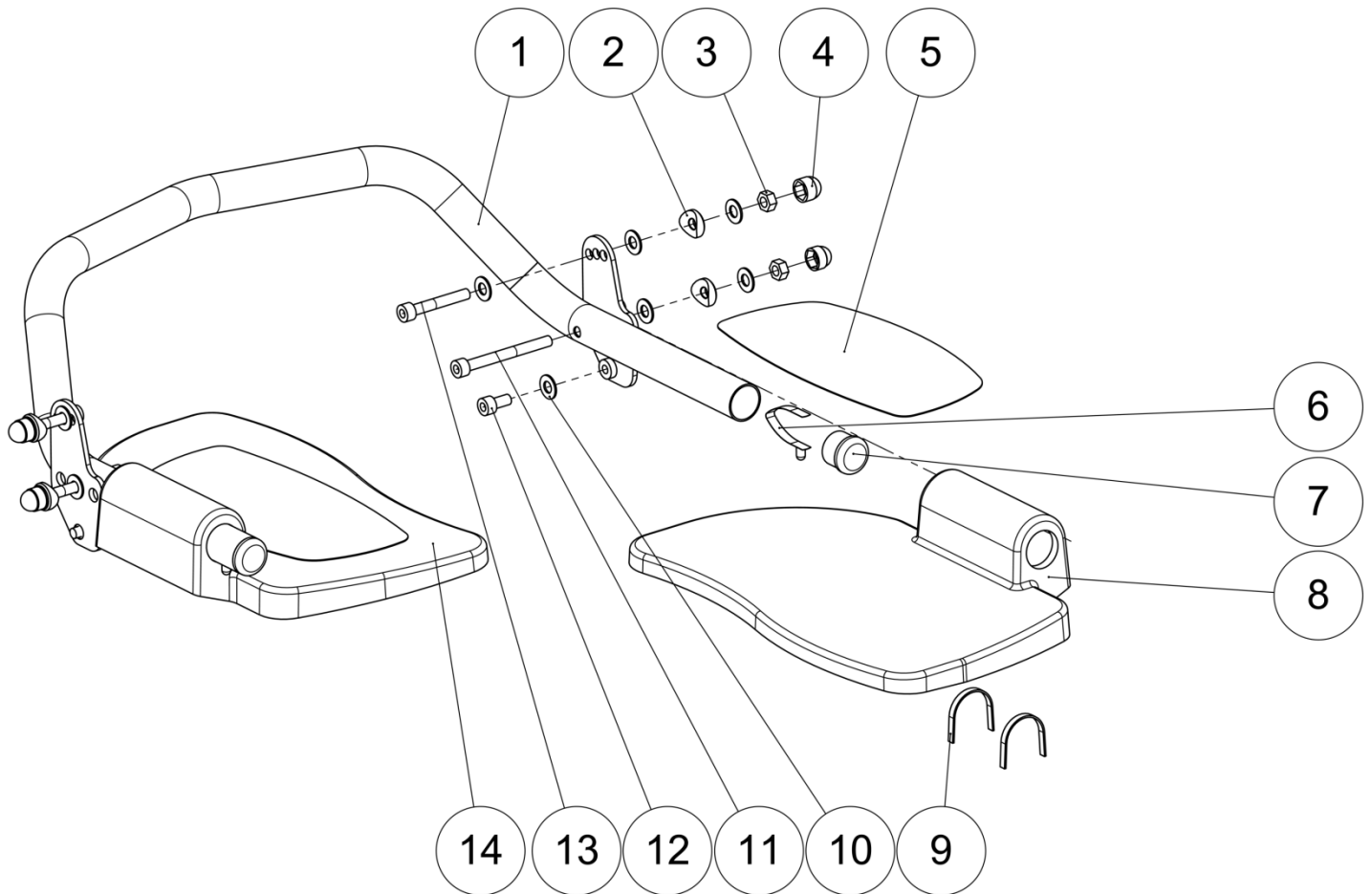
Footrest flip up and fold away

## Footrest flip up and fold away

Pos	Qty	Stock Code	Description En	Description Fr	Remark
1	3	<b>VIS-FHC6X16ZN</b>	Hexagon socket countersunk head screw M6x16	Vis tête fraisée M6x16 six pans creux	
2	2	<b>F0030XXXFO</b>	Anti skid sticker	Anti dérapant prédécoupé	
3	1	<b>L3103E36FO</b>	Monobloc footplate size 36 cm	Palette monobloc taille 36 cm	L1 ≈ 270mm
		<b>L3103E40FO</b>	Monobloc footplate size 40 cm	Palette monobloc taille 40 cm	L1 ≈ 310mm
		<b>L3103E44FO</b>	Monobloc footplate size 44-48 cm	Palette monobloc taille 44-48 cm	L1 ≈ 350mm
4	2	<b>VIS-CBHC6X30ZN</b>	Hexagon socket button head screw M6x30	Vis tête bombée M6x30 six pans creux	
5	2	<b>L0002221AI</b>	Concave washer for tube Ø22.1mm	Coupelle pour tube Ø22.1mm	
6	1	<b>L3101LXXPN</b>	Left footrest clevis	Chape gauche repose pied	
7	4	<b>ANN-RAD10RENFO</b>	E-type reinforced ring Ø10	Anneau-E radial renforcé Ø10	
8	2	<b>L3002XXXZN</b>	Foot-rest fork joint spindle	Axe chape repose pieds	
9	1	<b>L3005XXXAI</b>	Fork-joint lug for foot-rest	Tenon de chape repose pieds	
10	1	<b>VIS-CBHC6X16ZN</b>	Hexagon socket button head screw M6x16	Vis tête bombée M6x16 six pans creux	
11	1	<b>L3104X36PN</b>	Fixed footrest support tube size 36 cm	Support palette monobloc taille 36 cm	L2 ≈ 277mm
		<b>L3104X40PN</b>	Fixed footrest support tube size 40 cm	Support palette monobloc taille 40 cm	L2 ≈ 317mm
		<b>L3104X44PN</b>	Fixed footrest support tube size 44 cm	Support palette monobloc taille 44 cm	L2 ≈ 357mm
		<b>L3104X48PN</b>	Fixed footrest support tube size 48 cm	Support palette monobloc taille 48 cm	L2 ≈ 397mm
12	2	<b>VIS-CBHC6X10ZN</b>	Hexagon socket button head screw M6x10	Vis tête bombée M6x10 six pans creux	
13	1	<b>L3101RXXPN</b>	Footrest right clevis	Chape droite repose pied	
14	1	<b>VIS-FHC6X30ZN</b>	Hexagon socket countersunk head screw M6x30	Vis tête fraisée M6x30 six pans creux	
15	1	<b>L3109XXXAI</b>	Footrest blocking ring	Bague blocage repose pieds	
16	1	<b>L3107XXXAI</b>	Footrest bushing	Fourreau repose pieds	
17	1	<b>L3108XXXAI</b>	Footrest plastic guide	Palier repose pieds	

Legrest

Dual footrest flip up





Legrest

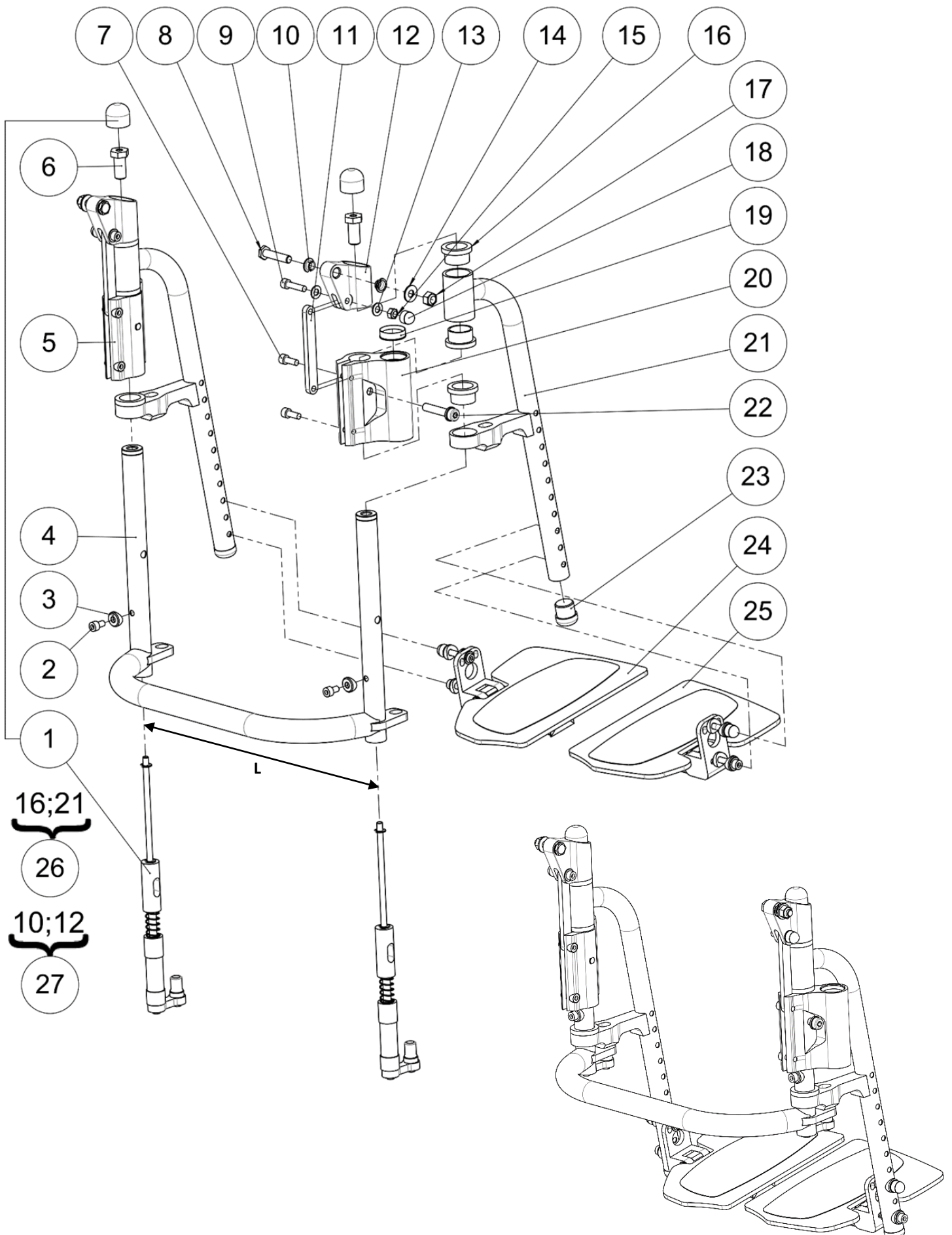
Dual footrest flip up

## Dual footrest flip up

Pos	Qty	Stock Code	Description En	Description Fr	Remark
1	1	<b>L3150X36PN</b>	Dual footrest support tube size 36 cm	Support bi-palette taille 36 cm	L1 ≈ 314mm
		<b>L3150X40PN</b>	Dual footrest support tube size 40 cm	Support bi-palette taille 40 cm	L1 ≈ 354mm
		<b>L3150X44PN</b>	Dual footrest support tube size 44 cm	Support bi-palette taille 44 cm	L1 ≈ 394mm
		<b>L3150X48PN</b>	Dual footrest support tube size 48 cm	Support bi-palette taille 48 cm	L1 ≈ 434mm
2	4	<b>L0002221AI</b>	Concave washer for tube Ø22.1mm	Coupelle pour tube Ø22.1mm	
3	4	<b>ECR-HFR6ZN</b>	Prevailing torque type hexagon nut M6	Ecrou frein M6	
4	4	<b>C0215XXXFO</b>	Nut cap M6	Cache écrou M6	
5	2	<b>F0030XXXFO</b>	Anti skid sticker	Anti dérapant prédécoupé	
6	2	<b>L0022XXXFO</b>	Pawl D6-LG7	Cliquet D6-LG7	
7	2	<b>L0005221FO</b>	Black cap for tube Ø22.1mm	Bouchon plastique noir pour tube Ø22.1mm	
8	1	<b>L3151LXXPN</b>	Footplate flip up left size 36-40 cm	Palette relevable gauche taille 36-40 cm	L2 ≈ 154mm
		<b>L3152LXXPN</b>	Footplate flip up left size 44-48 cm	Palette relevable gauche taille 44-48 cm	L2 ≈ 180mm
9	4	<b>L0027XXXFO</b>	Alu footplate slide spring	Lame ressort palette alu	
10	12	<b>RON-M6ZN</b>	Plain washer Ø6	Rondelle plate M Ø6	
11	2	<b>VIS-CHC6X60ZN</b>	Hexagon socket head cap screw M6x60	Vis tête cylindrique M6x60 six pans creux	
12	2	<b>VIS-CHC6X12ZN</b>	Hexagon socket head cap screw M6x12	Vis tête cylindrique M6x12 six pans creux	
13	2	<b>VIS-CHC6X40ZN</b>	Hexagon socket head cap screw M6x40	Vis tête cylindrique M6x40 six pans creux	
14	1	<b>L3151RXXPN</b>	Footplate flip up right size 36-40 cm	Palette relevable droite taille 36-40 cm	L2 ≈ 154mm
		<b>L3152RXXPN</b>	Footplate flip up right size 44-48 cm	Palette relevable droite taille 44-48 cm	L2 ≈ 180mm

Legrest

Dual footrest flip up and fold away



Legrest

Dual footrest flip up and fold away

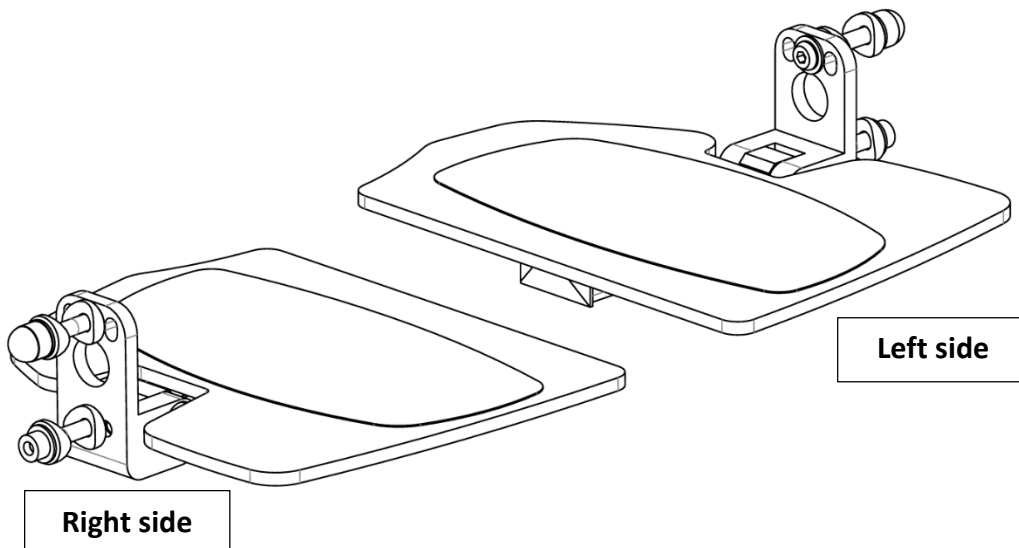
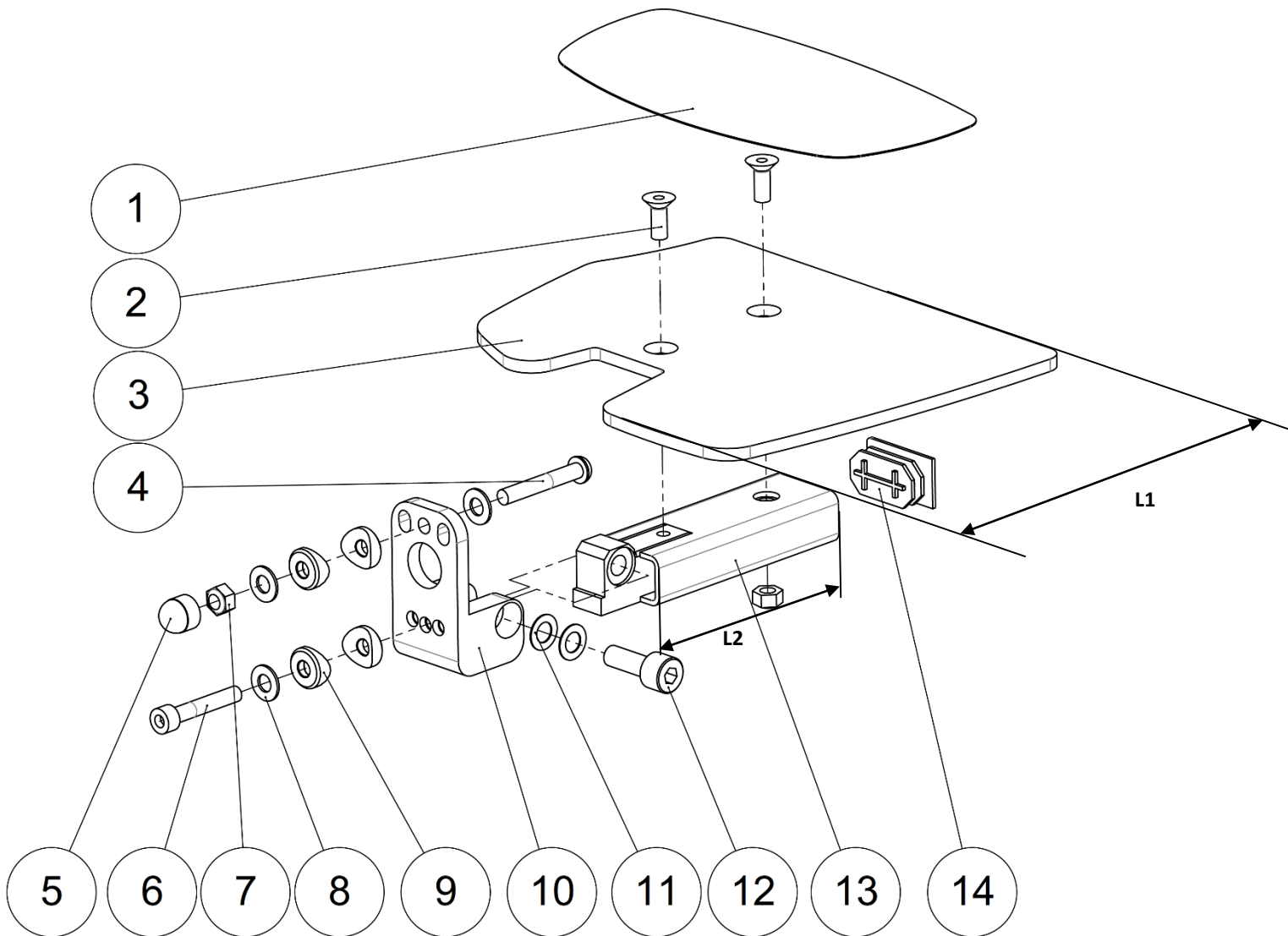
## Dual footrest flip up and fold away

Pos	Qty	Stock Code	Description En	Description Fr	Remark
1	2		Dual footrest flip up and fold away rod	Tige bi-palette relevable escamotable	See exploded view p.46
2	2	<b>VIS-CHC6X10ZN</b>	Hexagon socket head cap screw M6x10	Vis tête cylindrique M6x10 six pans creux	
3	2	<b>L0002221AI</b>	Concave washer for tube Ø22.1mm	Coupelle pour tube Ø22.1mm	
4	1	<b>L3162X36PN</b>	Legrest reinforcement stirrup size 36 cm	Berceau de jambier taille 36 cm	L ≈ 313mm
		<b>L3162X40PN</b>	Legrest reinforcement stirrup size 40 cm	Berceau de jambier taille 40 cm	L ≈ 353mm
		<b>L3162X44PN</b>	Legrest reinforcement stirrup size 44 cm	Berceau de jambier taille 44 cm	L ≈ 393mm
		<b>L3162X48PN</b>	Legrest reinforcement stirrup size 48 cm	Berceau de jambier taille 48 cm	L ≈ 433mm
5	1	<b>L3167LXXAI</b>	Left sleeve support	Fourreau gauche	
6	2	<b>L3164XXXZN</b>	Upper guide	Guide supérieur	
7	4	<b>VIS-CHC6X16ZN</b>	Hexagon socket head cap screw M6x16	Vis tête cylindrique M6x16 six pans creux	
8	2	<b>L0016XXXZN</b>	Axe Ø8x36mm	Axle Ø8x36mm	
9	2	<b>VIS-CHC6X25ZN</b>	Hexagon socket head cap screw M6x25	Vis tête cylindrique M6x25 six pans creux	
10	4	<b>L0007080FO</b>	Collar bearing Ø8xØ10x5.5mm	Coussinet a collerette Ø8xØ10x5.5mm	
11	2	<b>L3171XXXZN</b>	Contact tie-rod	Tirant de liaison	
12	2		Upper pivot	Pivot supérieur	NOT FOR SALE L3168XXXAI
13	4	<b>RON-M6ZN</b>	Plain washer Ø6	Rondelle plate M Ø6	
14	2	<b>RON-M8ZN</b>	Plain washer Ø8	Rondelle plate M Ø8	
15	2	<b>ECR-HFR6ZN</b>	Prevailing torque type hexagon nut M6	Ecrou frein M6	
16	6	<b>L3176XXXZN</b>	Guide ring	Bague de guidage	
17	2	<b>ECR-HFR8ZN</b>	Prevailing torque type hexagon nut M8	Ecrou frein M8	
18	2	<b>C0215XXXFO</b>	Nut cap M6	Cache écrou M6	
19	2	<b>L3035XXXFO</b>	Sleeve-guide ring	Bague de guidage fourreau	
20	1	<b>L3167RXXAI</b>	Right sleeve support	Fourreau droit	
21	2		Footrest tube	Montant repose pied	NOT FOR SALE L3166XXXPN
22	2	<b>L3178XXXZN</b>	Screw M8	Vis M8	
23	2	<b>L0006195FO</b>	Footrest plug Ø19.5mm + wedge	Tampon RP Ø19.5mm + cheville	
24	1		Dual footrest flip up and fold away plate left	Palette relevable escamotable gauche	See exploded view p.44
25	1		Dual footrest flip up and fold away plate right	Palette relevable escamotable droit	See exploded view p.44
26	2	<b>322879</b>	Kit footrest tube (unit)	Kit montant repose pied (l'unité)	
27	2	<b>322880</b>	Kit upper pivot (unit)	Kit pivot supérieur (l'unité)	



Legrest

Dual footrest flip up and fold away plates





Legrest

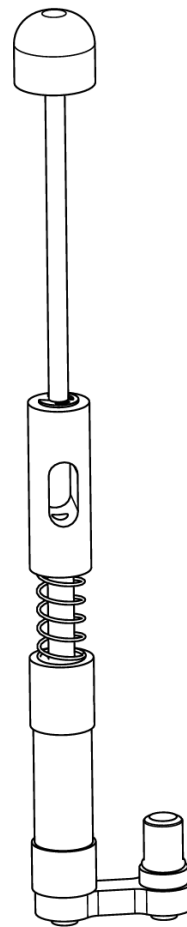
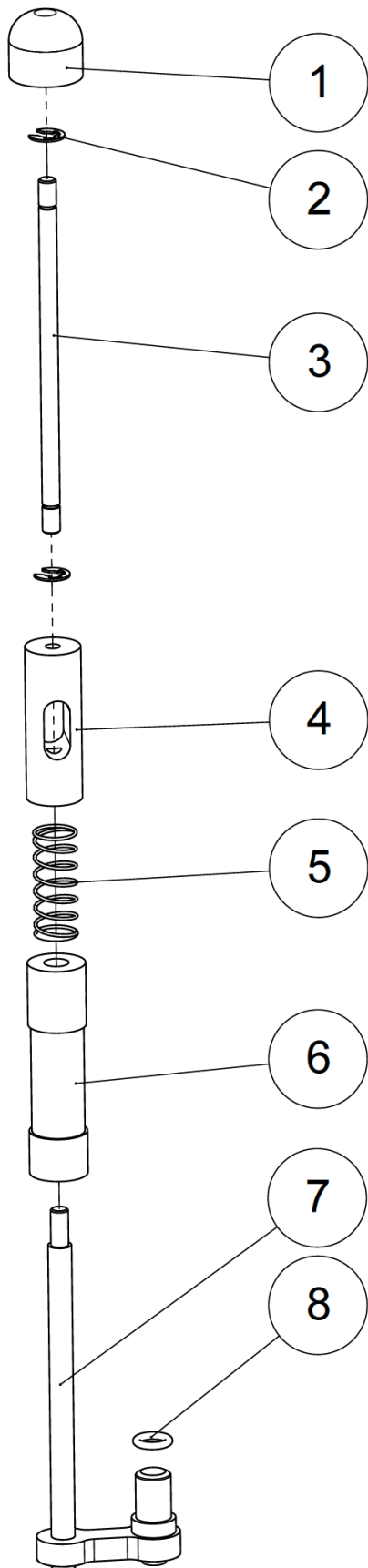
Dual footrest flip up and fold away plates

## Dual footrest flip up and fold away plates

Pos	Qty	Stock Code	Description En	Description Fr	Remark
1	2	<b>F0030XXXFO</b>	Anti skid sticker	Anti dérapant prédécoupé	
2	4	<b>VIS-FHC6X12ZN</b>	Hexagon socket countersunk head screw M6x12	Vis tête fraisée M6x12 six pans creux	
3	1	<b>L3163L36PN</b>	Footplate left size 36 cm	Palette gauche taille 36 cm	L1 = 145mm
		<b>L3163L40PN</b>	Footplate left size 40 cm	Palette gauche taille 40 cm	L1 = 165mm
		<b>L3163L44PN</b>	Footplate left size 44 cm	Palette gauche taille 44 cm	L1 = 185mm
		<b>L3163L48PN</b>	Footplate left size 48 cm	Palette gauche taille 48 cm	L1 = 200mm
	1	<b>L3163R36PN</b>	Footplate right size 36 cm	Palette droite taille 36 cm	L1 = 145mm
		<b>L3163R40PN</b>	Footplate right size 40 cm	Palette droite taille 40 cm	L1 = 165mm
		<b>L3163R44PN</b>	Footplate right size 44 cm	Palette droite taille 44 cm	L1 = 185mm
		<b>L3163R48PN</b>	Footplate right size 48 cm	Palette droite taille 48 cm	L1 = 200mm
4	2	<b>VIS-CBHC6X45ZN</b>	Hexagon socket button head screw M6x45	Vis tête bombée M6x45 six pans creux	
5	2	<b>C0215XXXFO</b>	Nut cap M6	Cache écrou M6	
6	2	<b>VIS-CHC6X40ZN</b>	Hexagon socket head cap screw M6x40	Vis tête cylindrique M6x40 six pans creux	
7	4	<b>ECR-HFR6ZN</b>	Prevailing torque type hexagon nut M6	Ecrou frein M6	
8	6	<b>RON-M6ZN</b>	Plain washer Ø6	Rondelle plate M Ø6	
9	8	<b>L0002221AI</b>	Concave washer for tube Ø22.1mm	Coupelle pour tube Ø22.1mm	
10	2	<b>L3161XXXZN</b>	Separate footplate hinge	Charnière bi-palette	
11	4	<b>RON-Z8FINEPLAS</b>	Nylon washer Ø8.1x14x0.5mm	Rondelle plate nylon Ø8.1x14x0.5mm	
12	2	<b>L3177XXXZN</b>	Double footplate axle	Axe bi palette	
13	2	<b>L3169X40ZN</b>	Separate footplate basculing size 36-40 cm	Basculeur bi palette taille 36-40 cm	L2 = 96mm
		<b>L3169X44ZN</b>	Separate footplate basculing size 44-48 cm	Basculeur bi palette taille 44-48 cm	L2 = 126mm
14	2	<b>L0003520FO</b>	Black cap for tube 35x20mm	Bouchon plastique noir 35x20mm	

Legrest

Dual footrest flip up and fold away rod





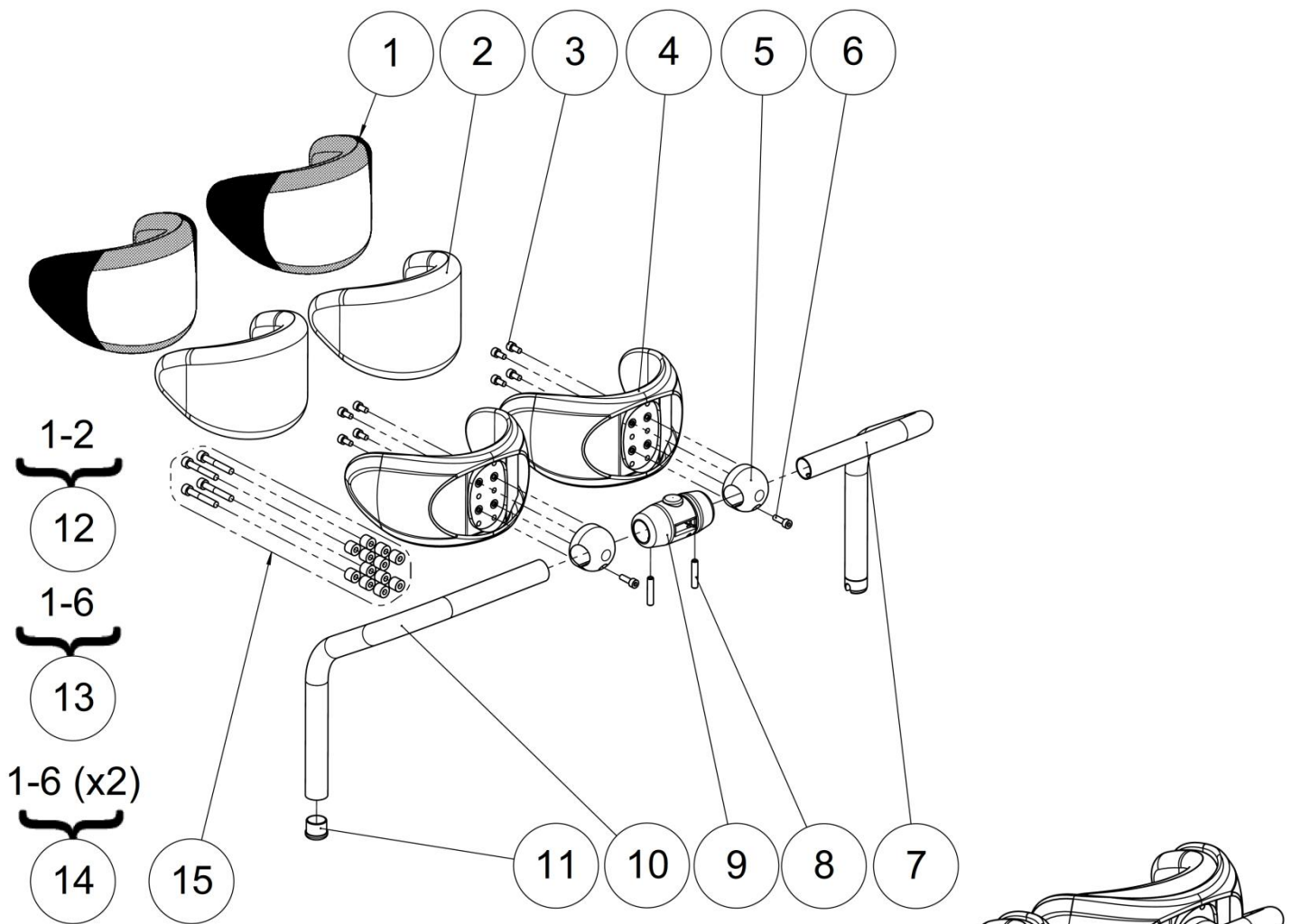
Legrest

Dual footrest flip up and fold away rod

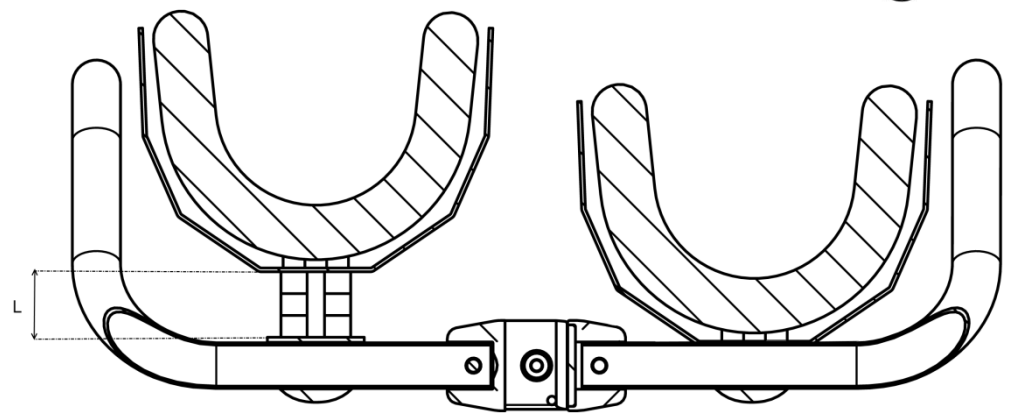
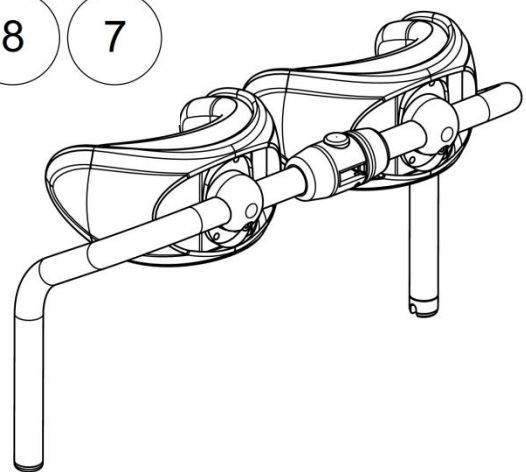
## Dual footrest flip up and fold away rod

Pos	Qty	Stock Code	Description En	Description Fr	Remark
1	1	<b>L3175XXXZN</b>	Unlocking button	Bouton de déverrouillage	
2	2	<b>ANN-RAD6RENFO</b>	Ring Ø6mm	Anneau élastique Ø6mm	
3	1	<b>L3172XXXZN</b>	Control unit rod	Tige de commande	
4	1	<b>L3174XXXZN</b>	Link nut	Ecrou de liaison	
5	1	<b>L3173XXXZN</b>	Spring	Ressort	
6	1	<b>L3165XXXFO</b>	Lower guide	Guide inferieur	
7	1	<b>L3170XXXZN</b>	Bolt	Verrou	
8	1	<b>L0004010FO</b>	O-ring Ø10x3mm	Joint torique Ø10x3mm	

Kneerest



- The kit **322896** contains all screws and spacers for every spacing configuration.



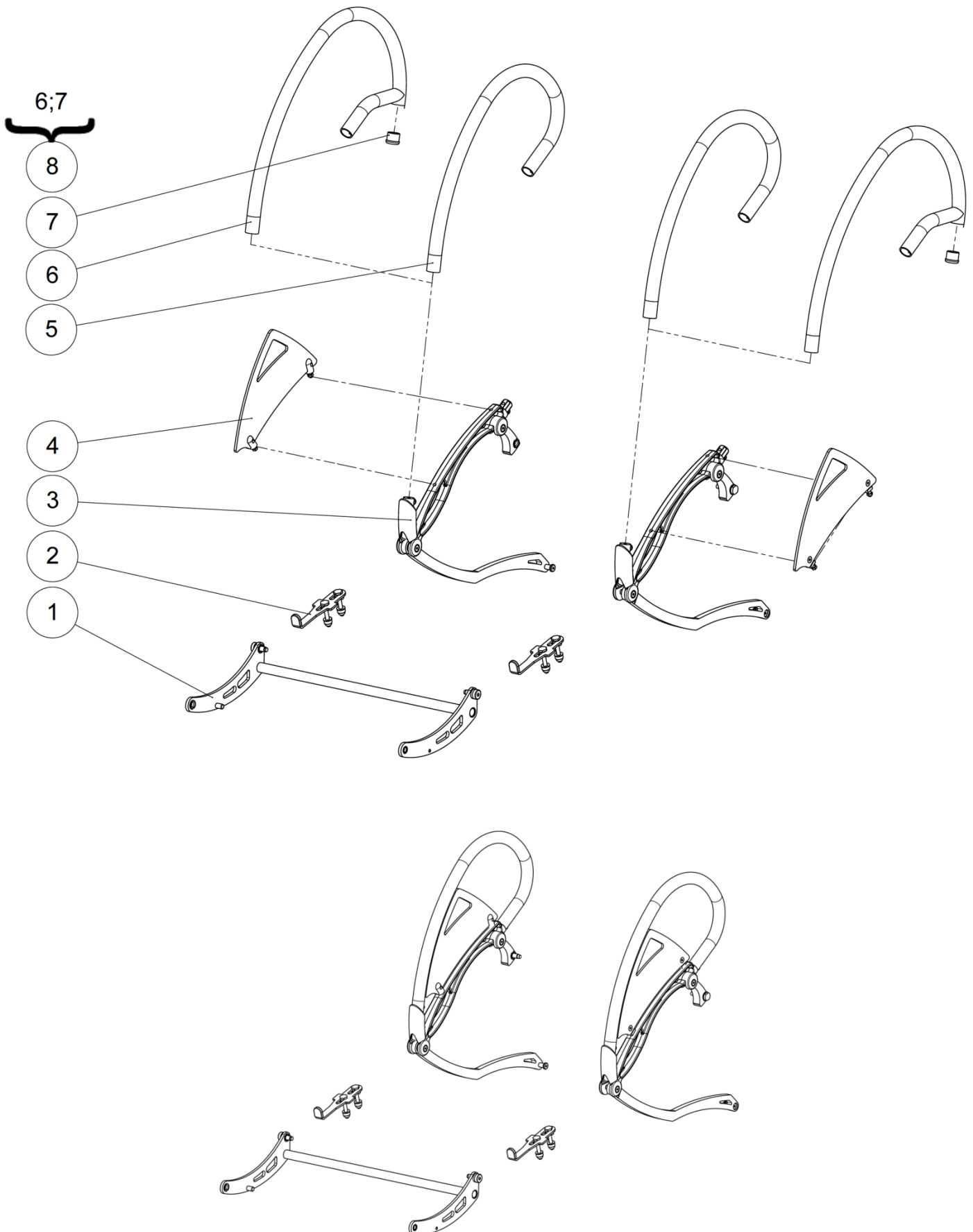
## Kneerest

## Kneerest

Pos	Qty	Stock Code	Description En	Description Fr	Remark
1	2	L3016XXXFO	Cover for confort kneepad	Housse de genouillère	
2	2	L3017XXXFO	Foam for confort kneepad	Coussinet confort genouillère	
3	8	VIS-CHC5X10ZN	Hexagon socket head cap screw M5x10	Vis tête cylindrique M5x10 six pans creux	
4	2	L3111XXXFO	Polyurethane knee-support	Genouillère polyuréthane surmoulée	
5	2	L3112FXXAI	Knee-support nut	Noix de genouillère fendue	
6	2	VIS-CHC5X16ZN	Hexagon socket head cap screw M5x16	Vis tête cylindrique M5x16 six pans creux	
7	1	L3145L36PN	Left knee support tube size 36 cm	Tube genouillère gauche taille 36 cm	
		L3145L40PN	Left knee support tube size 40 cm	Tube genouillère gauche taille 40 cm	
		L3145L44PN	Left knee support tube size 44 cm	Tube genouillère gauche taille 44 cm	
		L3145L48PN	Left knee support tube size 48 cm	Tube genouillère gauche taille 48 cm	
8	2	VIS-HC6X30ZN	Hexagon socket set screw M6x30	Vis sans tête M6x30 six pans creux	
9	1	L3060XXXFO	Locking knee support set	Verrou genouillère	
10	1	L3145R36PN	Right knee support tube size 36 cm	Tube genouillère droit taille 36 cm	
		L3145R40PN	Right knee support tube size 40 cm	Tube genouillère droit taille 40 cm	
		L3145R44PN	Right knee support tube size 44 cm	Tube genouillère droit taille 44 cm	
		L3145R48PN	Right knee support tube size 48 cm	Tube genouillère droit taille 48 cm	
11	1	L0005221FO	Black cap for tube Ø22.1mm	Bouchon plastique noir pour tube Ø22.1mm	
12	2	L3013ITTFO	Kit foam + cover for confort kneepad (unit)	Kit housse + coussinet confort (l'unité)	
13	2	L3110XXXFO	Kit confort kneepad (unit)	Kit genouillère confort (l'unité)	
14	1	L3100XXXFO	Kit confort kneepads (pair)	Kit genouillères confort (paire)	
15	1	322896	Kit spacers kneerest	Kit entretoises genouillères	See table below to determine the number of spacer(s) and the length of screws

Spacing L (mm) (see picture p.48) / Espacement L (mm) (voir schéma p.48)	0	10	20	30
Quantity of spacer(s) 614472 (for 1 kneepad) / Nombre d'entretoise(s) (pour 1 genouillère)	0	4	8	12
Quantity of screws (for 1 kneepad) / Nombre de vis (pour 1 genouillère)	4	4	4	4
References of screws / Références des vis	VIS-CHC5X10ZN	VIS-CHC5X20ZN	600686 (CHC 5x30)	VIS-CHC5X40ZN

Manual standing



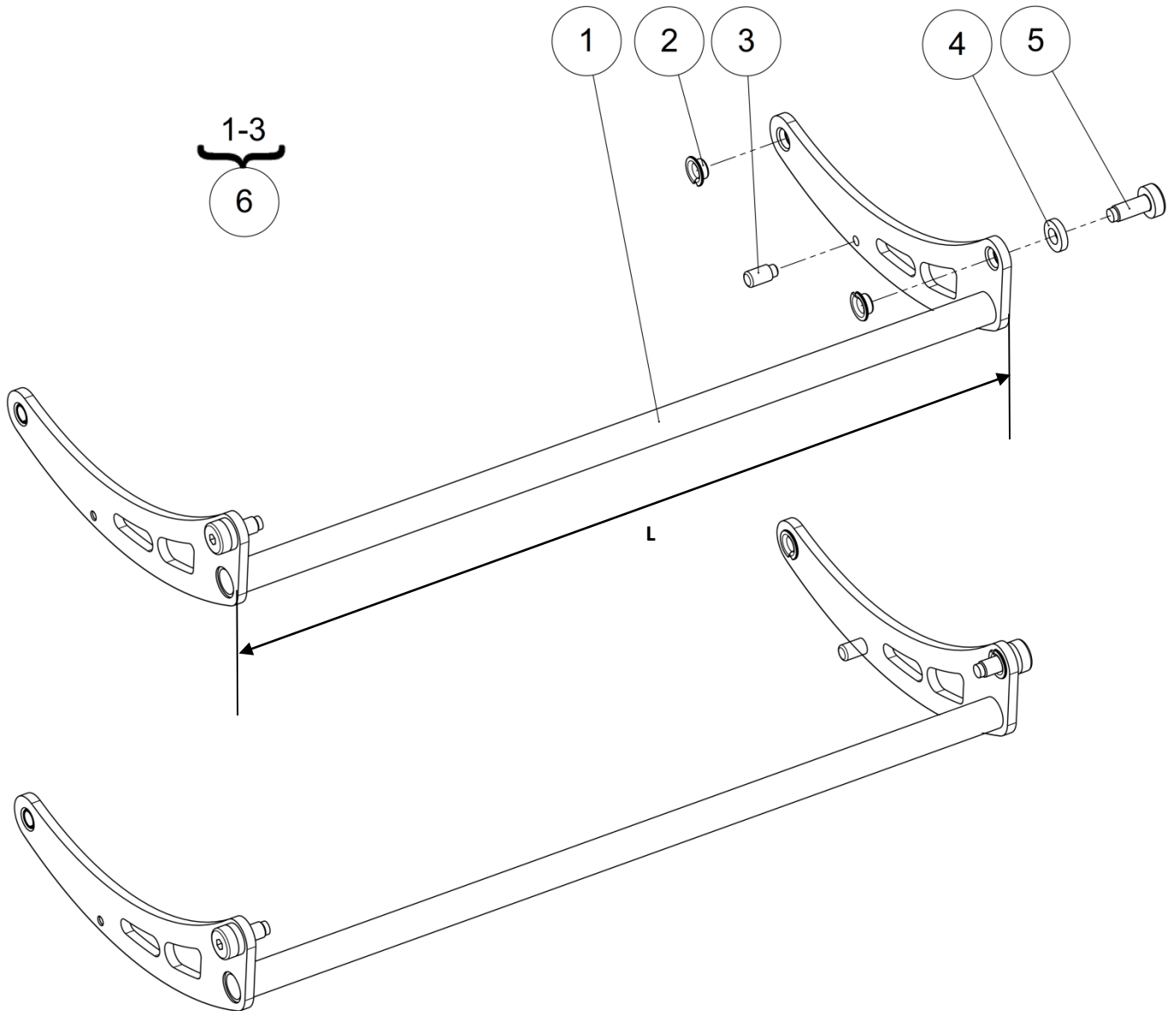
## Manual standing

## Manual standing

Pos	Qty	Stock Code	Description En	Description Fr	Remark
1	1		Grip handle crosstube	Traverse de volant	See exploded view p.52
2	2		Stand-up lock	Verrou verticalisation	See exploded view p.54
3	1		Arm loop lever right	Levier droit	See exploded view p.56
	1		Arm loop lever left	Levier gauche	See exploded view p.56
4	1		Carbon fiber side guard right	Protège vêtements carbone droit	See exploded view p.58
	1		Carbon fiber side guard left	Protège vêtements carbone gauche	See exploded view p.58
5	2	<b>A8005XXXPN</b>	Grip handle	Volant de verticalisation	
		<b>A8005PVCFO</b>	Rubber coated grip handle	Volant de verticalisation plastifié	
6	2		Long grip handle	Volant de verticalisation long	NOT FOR SALE A8005XLGPN
			Long rubber coated grip handle	Volant de verticalisation long plastifié	NOT FOR SALE A8005XLGPL
7	2	<b>L0005221FO</b>	Black cap for tube Ø22.1mm	Bouchon plastique noir pour tube Ø22.1mm	
8	2	<b>323042</b>	Kit long grip handle (unit)	Kit volant long (l'unité)	
		<b>323043</b>	Kit long rubber coated grip handle (unit)	Kit volant long plastifié (l'unité)	

Manual standing

Grip handle crosstube







Manual standing

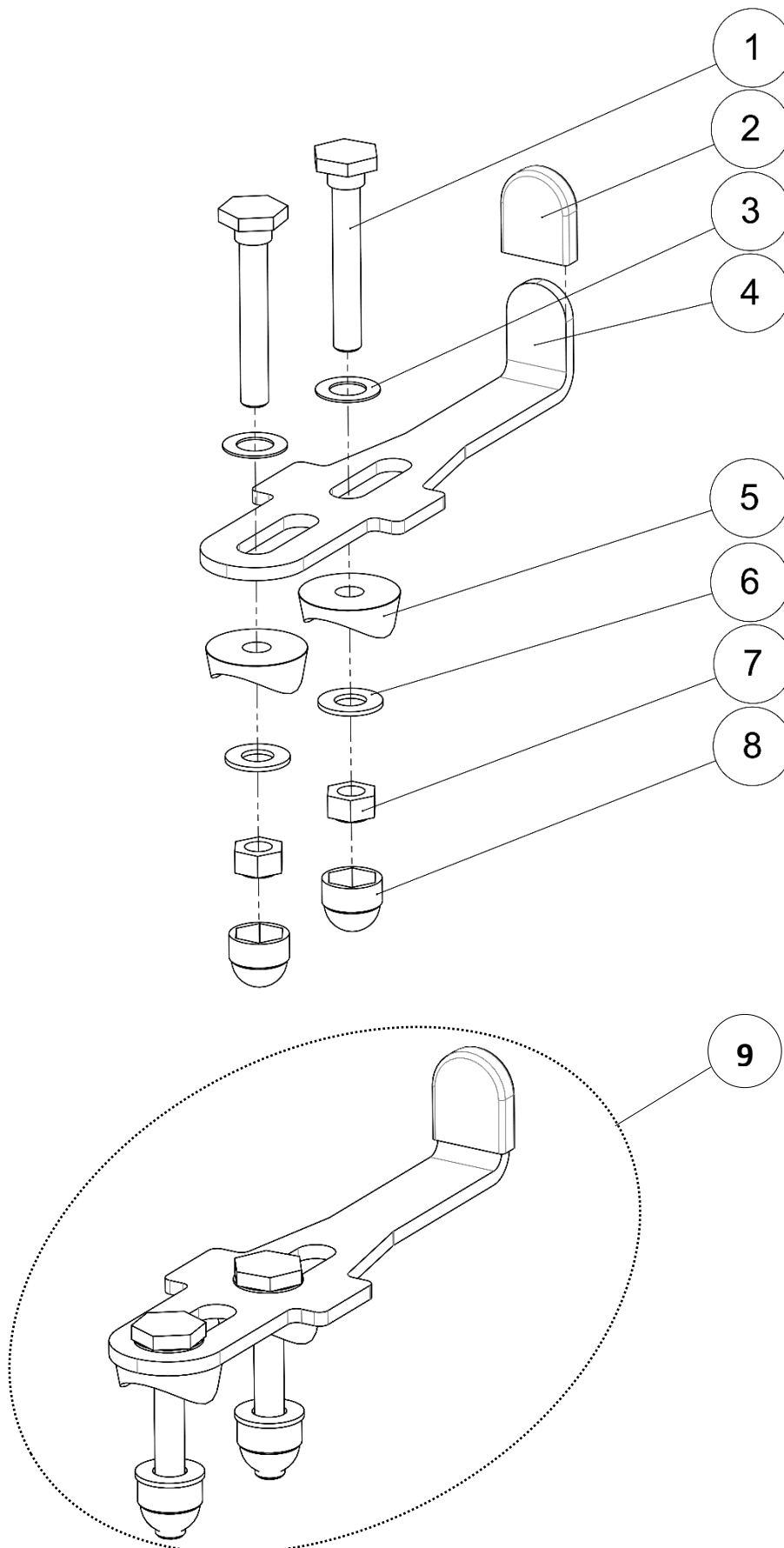
Grip handle crosstube

## Grip handle crosstube

Pos	Qty	Stock Code	Description En	Description Fr	Remark
1	1		Grip handle crosstube size 36 cm	Traverse de volant taille 36 cm	L = 400mm / NOT FOR SALE L8109X36PN
			Grip handle crosstube size 40 cm	Traverse de volant taille 40 cm	L = 440mm / NOT FOR SALE L8109X40PN
			Grip handle crosstube size 44 cm	Traverse de volant taille 44 cm	L = 480mm / NOT FOR SALE L8109X44PN
			Grip handle crosstube size 48 cm	Traverse de volant taille 48 cm	L = 520mm / NOT FOR SALE L8109X48PN
2	4	<b>L0007080FO</b>	Collar bearing $\varnothing 8 \times \varnothing 10 \times 5.5$ mm	Coussinet a collerette $\varnothing 8 \times \varnothing 10 \times 5.5$ mm	
3	2	<b>A2008XXXFO</b>	Stop pin	Pion de blocage	
4	2	<b>A8008XXXFO</b>	Gas spring spacer	Entretoise de vérin	
5	2	<b>A8011XXXZN</b>	Arm loop axle lug spindle	Axe pivot volant	
6	1	<b>322881</b>	Kit grip handle crosstube size 36 cm	Kit traverse de volant taille 36 cm	L = 400mm
		<b>322882</b>	Kit grip handle crosstube size 40 cm	Kit traverse de volant taille 40 cm	L = 440mm
		<b>322883</b>	Kit grip handle crosstube size 44 cm	Kit traverse de volant taille 44 cm	L = 480mm
		<b>322884</b>	Kit grip handle crosstube size 48 cm	Kit traverse de volant taille 48 cm	L = 520mm

Manual standing

Stand-up lock



Manual standing

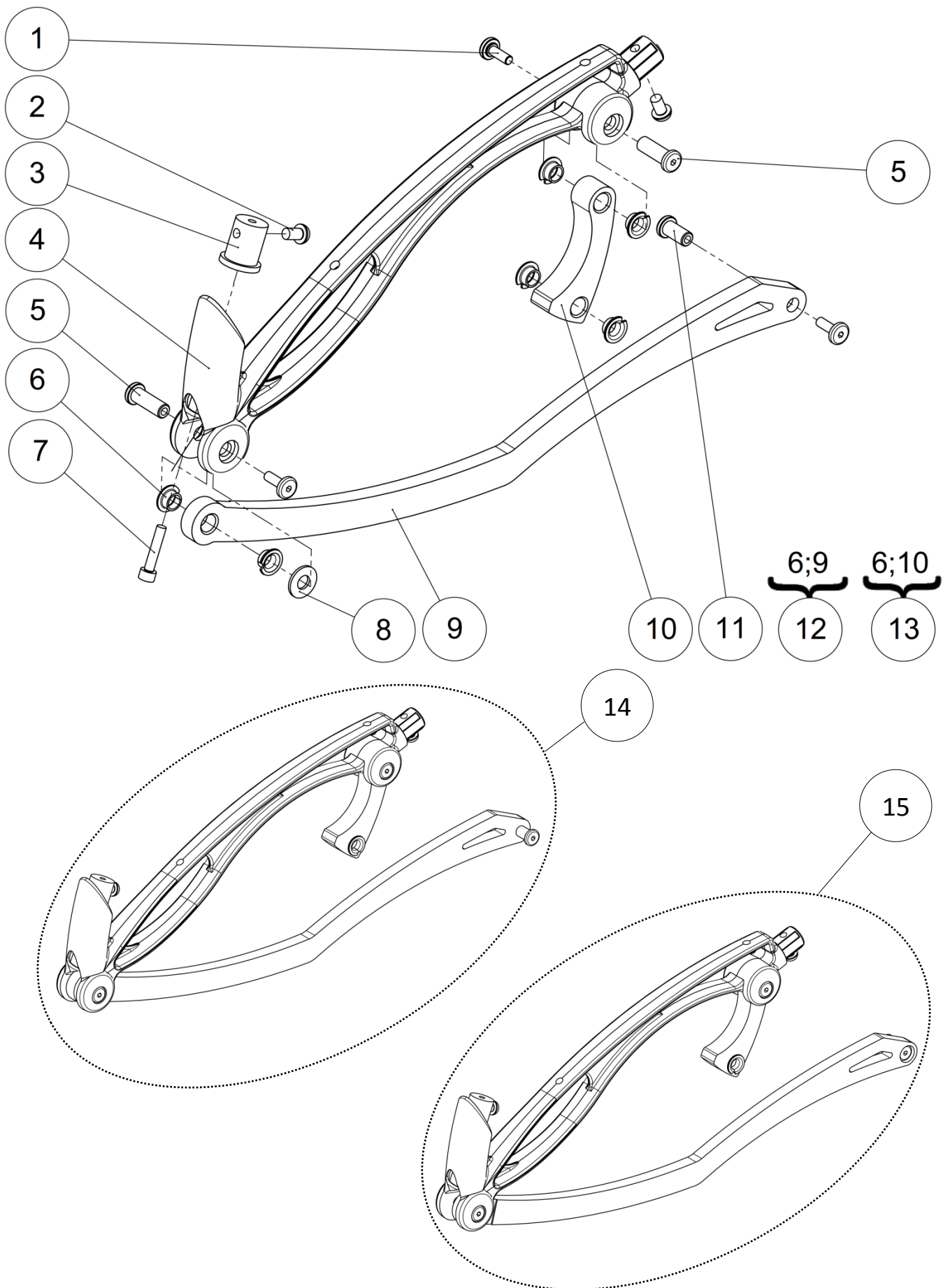
Stand-up lock

## Stand-up lock

Pos	Qty	Stock Code	Description En	Description Fr	Remark
1	2	<b>L2107XXXZN</b>	Safety slide-lock spindle	Axe de tirette de sécurité	
2	1	<b>A2009XXXFO</b>	Red safety cap	Capuchon sécurité rouge	
3	2	<b>RON-Z8FINEPLAS</b>	Nylon washer Ø8.1x14x0.5mm	Rondelle plate nylon Ø8.1x14x0.5mm	
4	1	<b>L2105XXXAI</b>	Safety slide-lock	Tirette de verrouillage de sécurité	
5	2	<b>L0003254FO</b>	Concave washer for tube Ø21- 23mm	Coupelle pour tube Ø21-23mm	
6	2	<b>RON-M6ZN</b>	Plain washer Ø6	Rondelle plate M Ø6	
7	2	<b>ECR-HFR6ZN</b>	Prevailing torque type hexagon nut M6	Ecrou frein M6	
8	2	<b>C0215XXXFO</b>	Nut cap M6	Cache écrou M6	
9	1	<b>322885</b>	Kit safety lock (unit)	Kit verrouillage de sécurité (l'unité)	

Manual standing

Arm loop lever



Manual standing

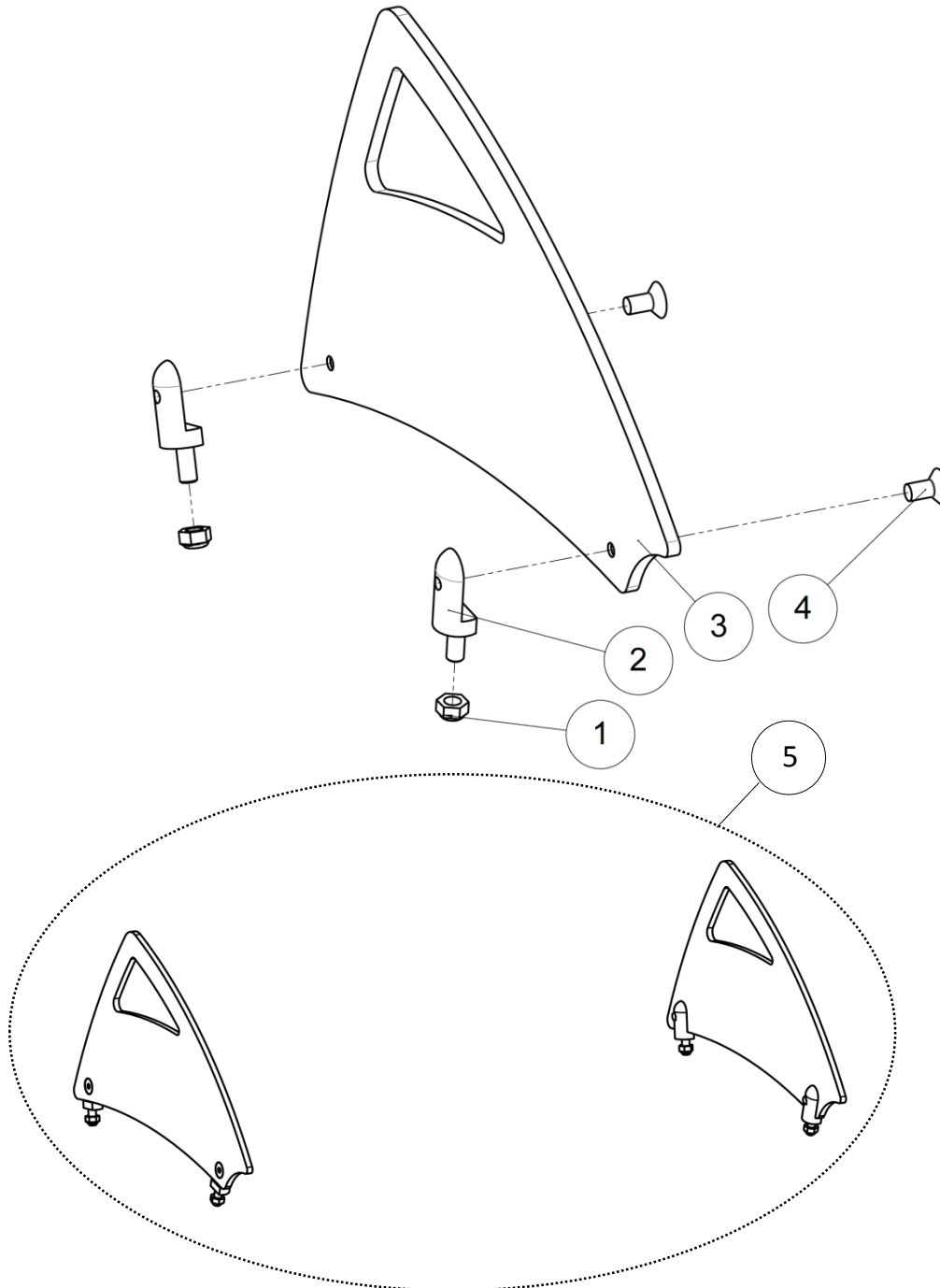
Arm loop lever

## Arm loop lever

Pos	Qty	Stock Code	Description En	Description Fr	Remark
1	6	<b>A8021XXXZN</b>	Blended screw	Vis noyée	
2	4	<b>VIS-CBHC6X16N</b>	Hexagon socket button head screw M6x16 black	Vis tête bombée M6x16 six pans creux noire	
3	2	<b>A8001XXXAI</b>	Grip handle lug	Bossage volant	
4	2	<b>A8006XXXPN</b>	Grip handle brace black	Embase volant noir	
5	4	<b>A8023XXXZN</b>	Long blended nut	Ecrou noyé long	
6	12	<b>L0007080FO</b>	Collar bearing $\varnothing 8 \times \varnothing 10 \times 5.5 \text{mm}$	Coussinet a collerette $\varnothing 8 \times \varnothing 10 \times 5.5 \text{mm}$	
7	2	<b>VIS-CHC5X25ZN</b>	Hexagon socket head cap screw M5x25	Vis tête cylindrique M5x25 six pans creux	
8	2	<b>RON-M8ZN</b>	Plain washer $\varnothing 8$	Rondelle plate M $\varnothing 8$	
9	1		Right side bent lever	Levier droit	NOT FOR SALE L8102RXXAI
	1		Left side bent lever	Levier gauche	NOT FOR SALE L8102LXXAI
10	2		Grip handle joint crank	Bielle articulation volant	NOT FOR SALE A8004XXXAI
11	2	<b>A8022XXXZN</b>	Blended nut	Ecrou noyé	
12	1	<b>322886</b>	Kit right side bent lever	Kit levier droit	
	1	<b>322887</b>	Kit left side bent lever	Kit levier gauche	
13	2	<b>322592</b>	Kit grip handle joint crank	Kit bielle articulation volant	One side
14	1	<b>322931</b>	Kit arm loop lever right LS	Kit Volant de verticalisation droit LS	
15	1	<b>322932</b>	Kit arm loop lever left LS	Kit Volant de verticalisation gauche LS	

Manual standing

Carbon fiber side guards



NOT COMPATIBLE WITH LSE



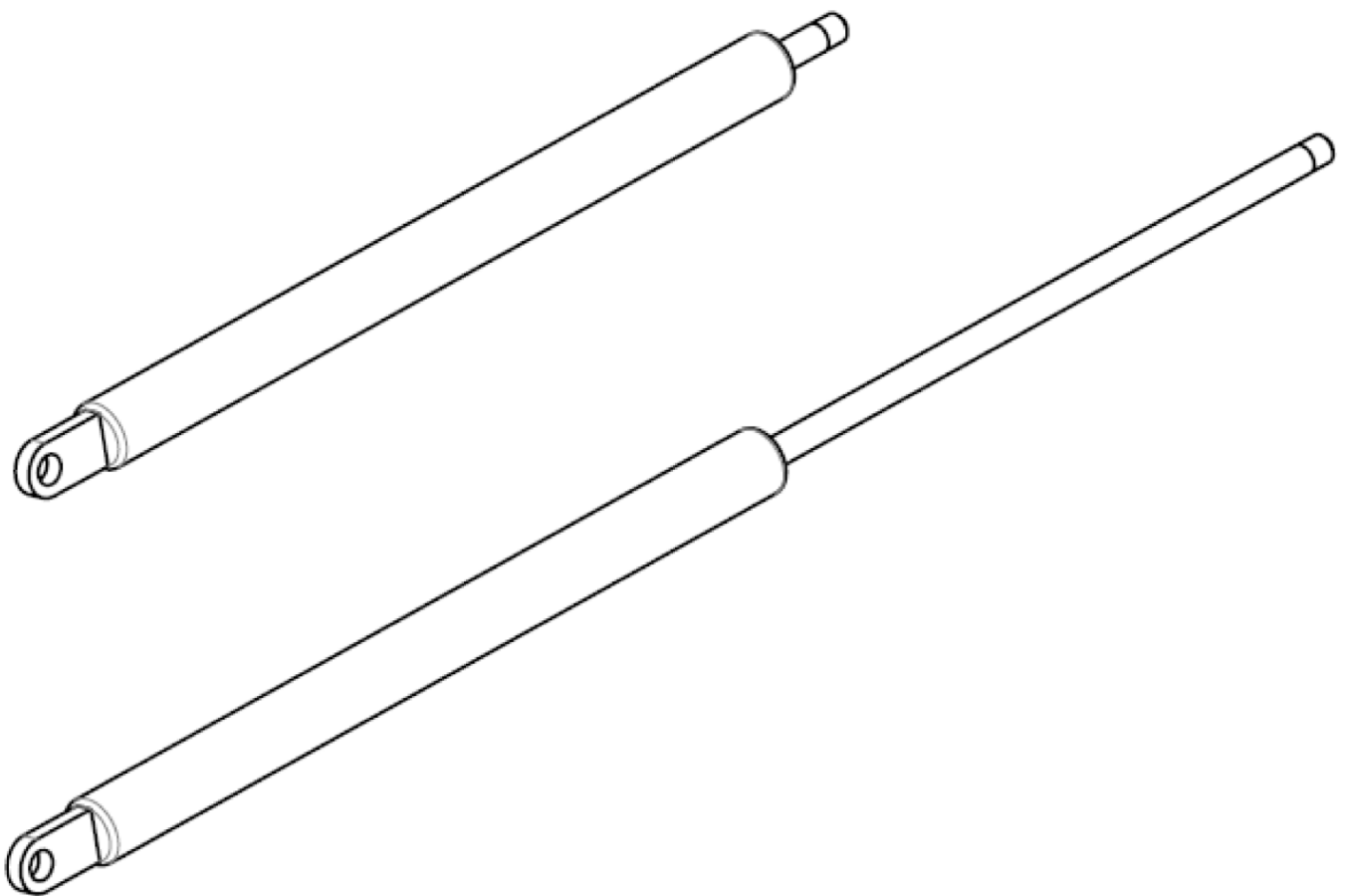
Manual standing

Carbon fiber side guards

## Carbon fiber side guards

Pos	Qty	Stock Code	Description En	Description Fr	Remark
1	4	<b>ECR-HFR5ZN</b>	Prevailing torque type hexagon nut M5	Ecrou frein M5	
2	4	<b>A9012XXXZN</b>	Side-guard fitting	Fixation protège vêtements	
3	1	<b>A9011LXXFO</b>	Left carbon side-guard	Protège vêtements gauche carbone	
	1	<b>A9011RXXFO</b>	Right carbon side-guard	Protège vêtements droit carbone	
4	4	<b>VIS-FHC4X8ZN</b>	Hexagon socket countersunk head screw M4x8	Vis tête fraisée M4x8 six pans creux	
5	1	<b>A9010XXXFO</b>	Kit carbon side guard (pair)	Kit protège vêtements carbone (paire)	

Gas strut







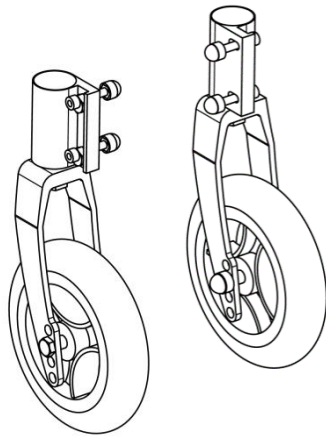
## Gas strut

## Gas strut

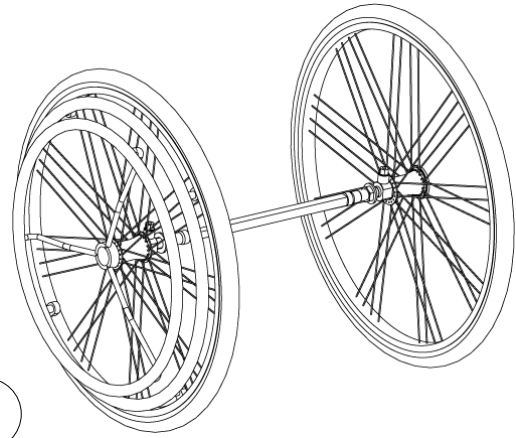
Pos	Qty	Stock Code	Description En	Description Fr	Remark
1	2	<b>A8200XXFO</b>	Gas strut Liftline 200N	Vérin Liftline 200N	To make 250N use 1x 200N and 1x 300N
2		<b>A8300XXFO</b>	Gas strut Liftline 300N	Vérin Liftline 300N	To make 350N use 1x 300N and 1x 400N
3		<b>A8400XXFO</b>	Gas strut Liftline 400N	Vérin Liftline 400N	To make 450N use 1x 400N and 1x 500N
4		<b>A8500XXFO</b>	Gas strut Liftline 500N	Vérin Liftline 500N	To make 550N use 1x 500N and 1x 600N
5		<b>A8600XXFO</b>	Gas strut Liftline 600N	Vérin Liftline 600N	To make 650N use 1x 600N and 1x 700N
6		<b>A8700XXFO</b>	Gas strut Liftline 700N	Vérin Liftline 700N	To make 750N use 1x 700N and 1x 800N
7		<b>A8800XXFO</b>	Gas strut Liftline 800N	Vérin Liftline 800N	

Wheels

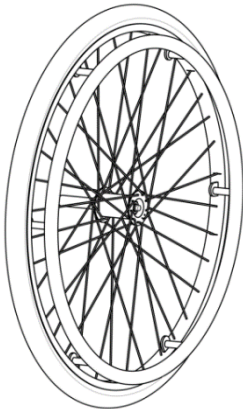
1



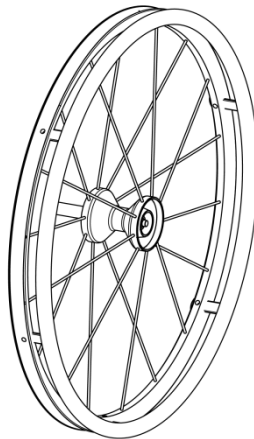
2



3



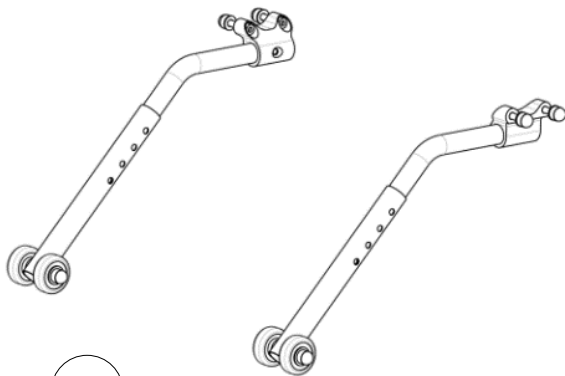
4



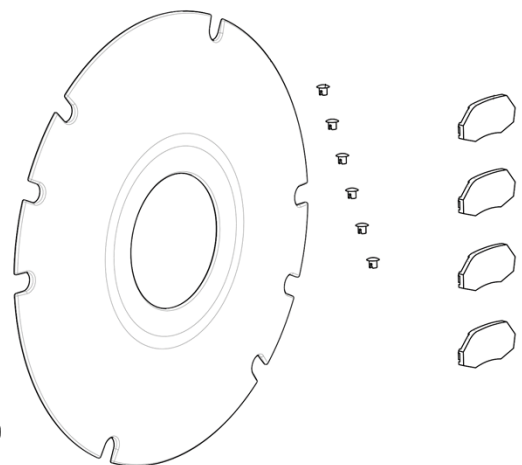
5



6



7



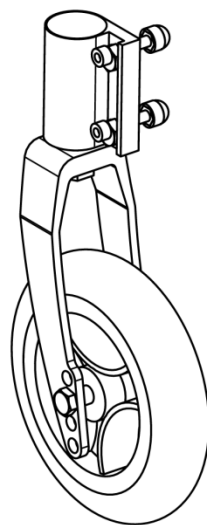
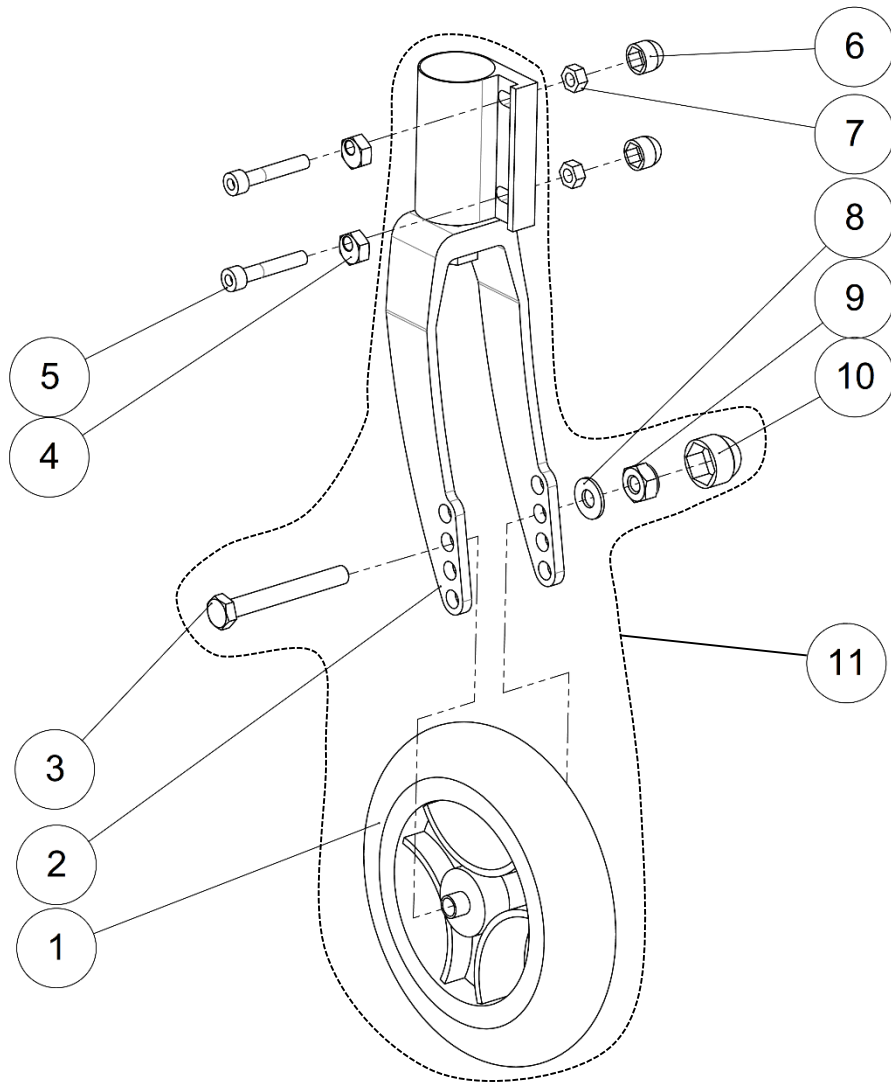
## Wheels

## Wheels

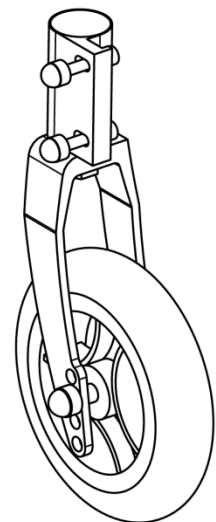
Pos	Qty	Stock Code	Description En	Description Fr	Remark
1	1		Front wheels 6'' soft roller	Roues avant 6'' soft roller	See exploded view p.64
2	1		Hemiplegic wheels	Roues hémiplegique	See exploded view p.74
3	1		Rear wheels 24''	Roue arrière 24''	See exploded view p.66
4	1		Rear wheels 24'' Spinergy	Roue arrière 24'' Spinergy	See exploded view p.70
5	1		Rear wheels 26''	Roue arrière 26''	See exploded view p.72
6	1		Anti-tipper wheels	Roulettes anti-bascule	See exploded view p.76
7	1		Rear wheels accessories	Accessoires roues arrières	See exploded view p.78

Wheels

Front wheels



Left side



Right side

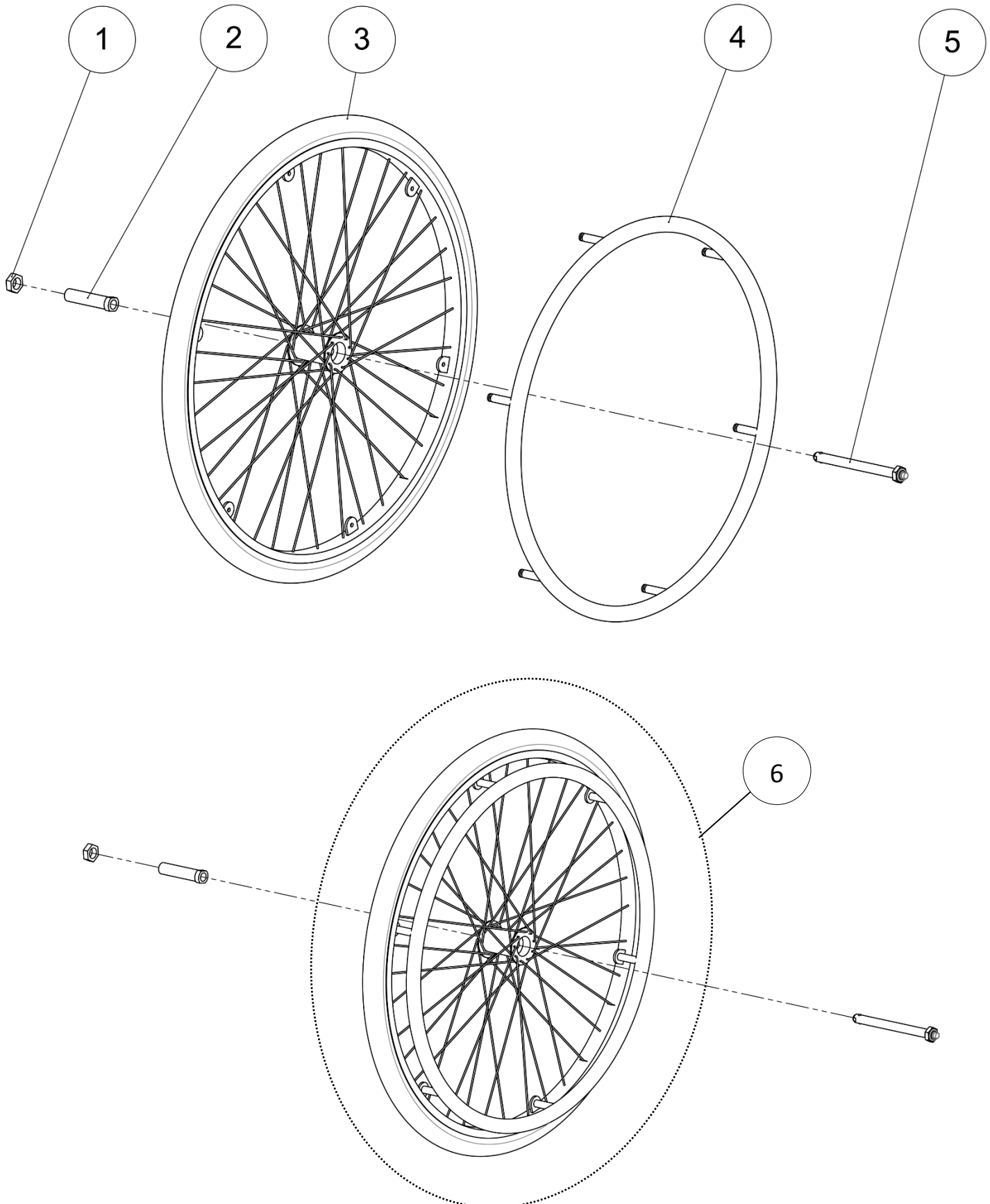
Wheels

Front wheels

Front wheels					
Pos	Qty	Stock Code	Description En	Description Fr	Remark
1	2	<b>L7150BANFO</b>	Front wheel 6"x1"	Roue avant 6"x1"	
2	1		Left fork + bearings + plastic cap	Fourche gauche + roulements + capuchon plastique	NOT FOR SALE
	1		Right fork + bearings + plastic cap	Fourche droite + roulements + capuchon plastique	NOT FOR SALE
3	2	<b>VIS-H8X65ZN</b>	Hexagon-head screw M8x65	Vis tête hexagonale M8x65	
4	4	<b>L7007XXXFO</b>	Flat excentric hexagonal nut	Ecrou excentrique hexagonal	
5	4	<b>VIS-CHC6X35ZN</b>	Hexagon socket head cap screw M6x35	Vis tête cylindrique M6x35 six pans creux	
6	4	<b>C0215XXXFO</b>	Nut cap M6	Cache écrou M6	
7	4	<b>ECR-HFR6ZN</b>	Prevailing torque type hexagon nut M6	Ecrou frein M6	
8	2	<b>RON-M8ZN</b>	Plain washer Ø8	Rondelle plate M Ø8	
9	2	<b>ECR-HFR8ZN</b>	Prevailing torque type hexagon nut M8	Ecrou frein M8	
10	2	<b>C0214XXXFO</b>	Nut cap M8	Cache écrou M8	
11	1	<b>L1233LXXFO</b>	Kit left pivot + fork + wheel 6"	Kit pivot complet gauche + fourche + roue 6"	
	1	<b>L1233RXXFO</b>	Kit right pivot + fork + wheel 6"	Kit pivot complet droit + fourche + roue 6"	

Wheels

Rear wheel 24"




Wheels

Rear wheel 24"

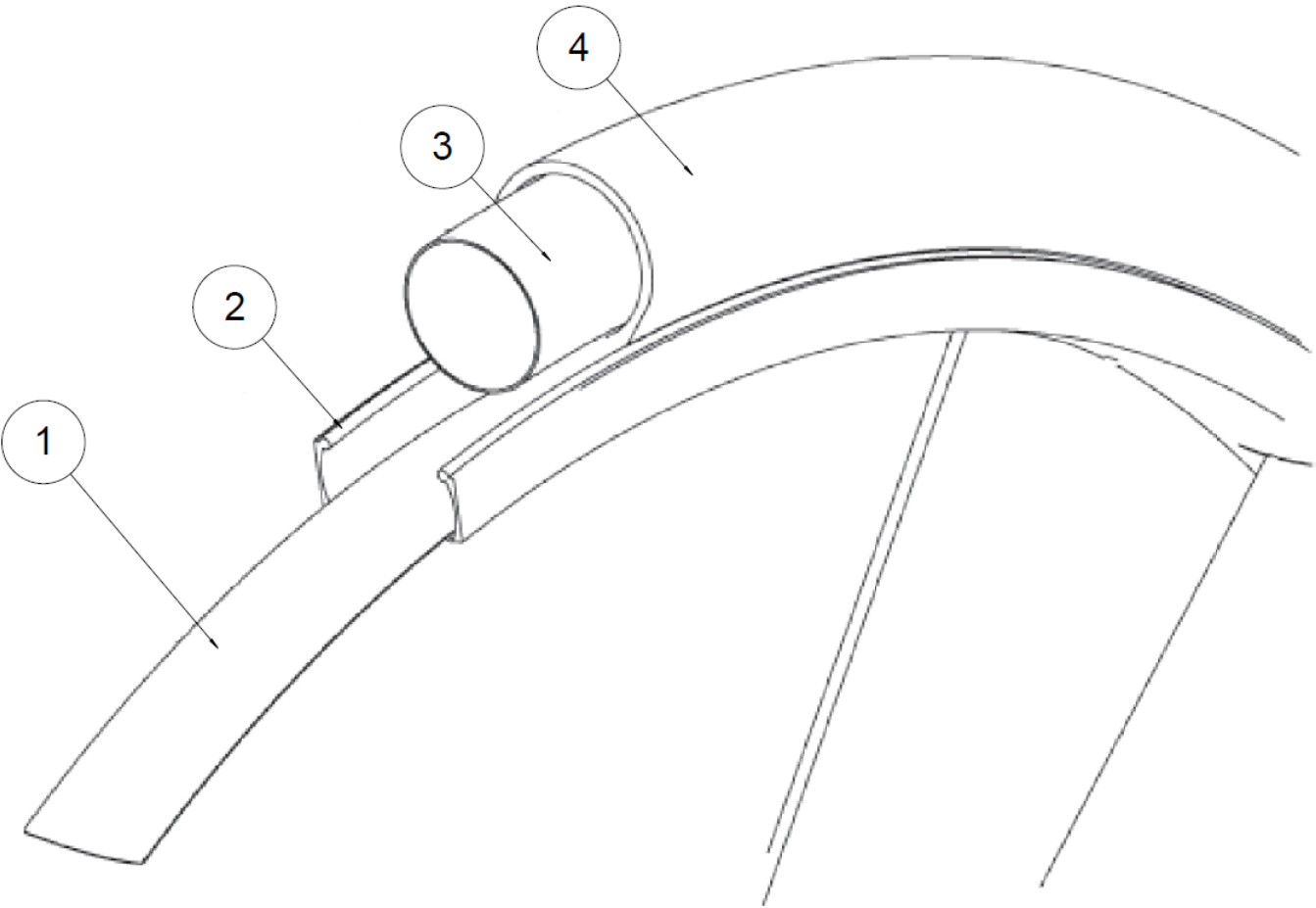
## Rear wheel 24"

Pos	Qty	Stock Code	Description En	Description Fr	Remark
1	1	L7005XECFO	Nut for wheel bearing	Ecrou zingué 22 pour palier QR	
2	1	L7005XLSFO	Long sleeve Ø12	Palier roue Ø12	
3	1		Lifestand wheel 24"	Roue Lifestand 24"	See exploded view p.68
		L7006XXXFO	Handrim 24" anodized clear	Main courante 24" anodisé incolore	Not compatible with Spinergy wheels
4	1	L7006CHRFO	Handrim 24" chromed	Main courante 24" chromée	Not compatible with Spinergy wheels
		L7006PVCFO	Handrim 24" smooth silicone cover	Main courante 24" PVC noir	Not compatible with Spinergy wheels
5	1	L7002XXXFO	Quick release axle long + nut M12	Axe QR long + écrou M12	
6	1	L7602HPRFO	Complete wheel 24" anod. clear handrim + HP tire	Roue complète 24"+ pneu HP	

<b>LS / LSE</b>	<b>SPARE PART CATALOG</b>		
Item N° <b>322901</b>	Revision <b>B</b>	Date <b>30/07/2015</b>	Page <b>68</b> of <b>93</b>

Wheels

Lifestand wheel 24"







Wheels

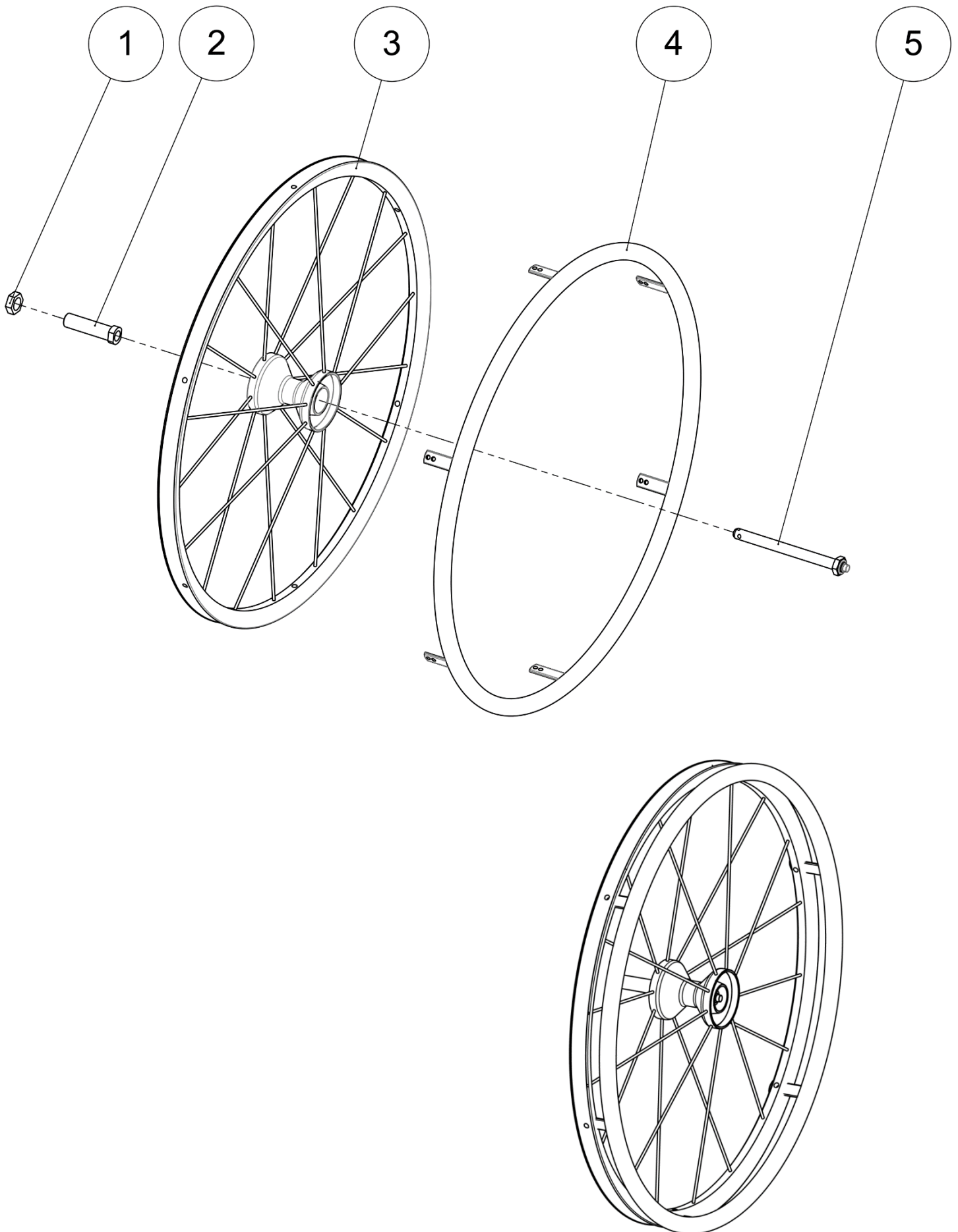
Lifestand wheel 24"

## Lifestand wheel 24"

Pos	Qty	Stock Code	Description En	Description Fr	Remark
1	1	<b>L7611FJXFO</b>	Inside rim protection for rim 24"	Fond de jante pour jante 24"	
2	1	<b>L7603NUEFO</b>	Complete wheel hub without tire	Jante nue + main courante	
3	1	<b>L7611HPRFO</b>	Tube high pressure for tire 24"	Chambre à air HP pour pneu 24"	
		<b>L7611STDFO</b>	Tube standard for tire 24"	Chambre à air standard pour pneu 24"	
4	1	<b>L7601HPRFO</b>	High pressure tire 24"	Pneu 24" HP	
		<b>L7601MARFO</b>	Tire 24" marathon evolution	Pneu 24" marathon evolution	
		<b>L7601STDFO</b>	Standard tire 24"	Pneu 24" standard	
		<b>N-BA600100L</b>	Flat free tire 24"x 1" glossy finish	Bandage 24"x 1" lisse	
		<b>N-BA600138L</b>	Flat free tire 24"x 1"3/8 glossy finish	Bandage 24"x 1"3/8 lisse	NOT COMPATIBLE WITH SPINERGY WHEELS
		<b>N-BA600138C</b>	Soly poly 24"x 1"3/8	Bandage 24"x 1"3/8 cranté	NOT COMPATIBLE WITH SPINERGY WHEELS

Wheels

Rear wheel 24" Spinergy





Wheels

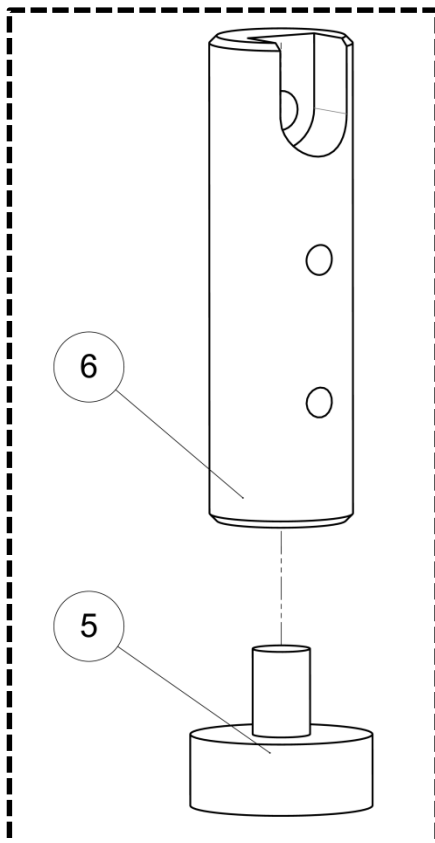
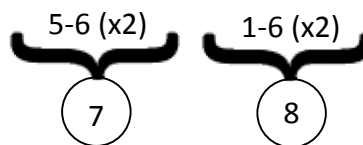
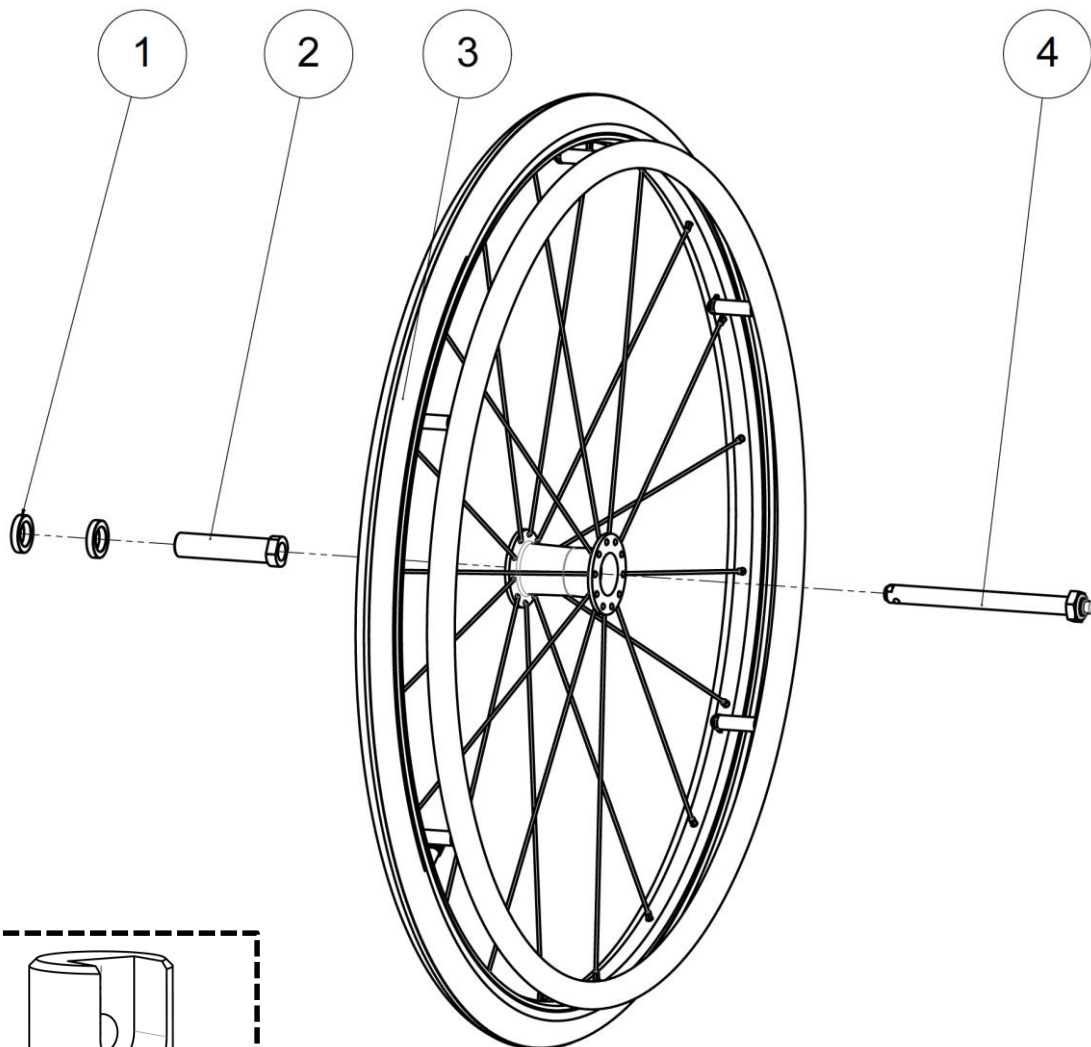
Rear wheel 24" Spinergy

## Rear wheel 24" Spinergy

Pos	Qty	Stock Code	Description En	Description Fr	Remark
1	1	L7005XECFO	Nut for wheel bearing	Ecrou zingué 22 pour palier QR	
2	1	L7005XXXFO	Bearing + nut for spinergy	Palier court 67mm	Only for Spinergy wheels
3	1	A7600ROUFO	Spinergy rim red spokes	Jante Spinergy rayons rouges	
		A7600BLEFO	Spinergy rim blue spokes	Jante Spinergy rayons bleus	
		A7600WHIFO	Spinergy rim white spokes	Jante Spinergy rayons blancs	
		A7600NOIFO	Spinergy rim black spokes	Jante Spinergy rayons noirs	
4	1	A7006XXXFO	Anodized push rim – black	Main courante anodisée noire	Only for Spinergy wheels
		A7006PVCFO	Rubber coated push rim 24" black	Main courante 24" PVC noir	
5	1	L7002XXXFO	Quick release axle long + nut M12	Axe QR long + écrou M12	

Wheels

Rear wheel 26"



Rear wheels 26'' =

- Kit footrest extension (pair) 322607

Wheels

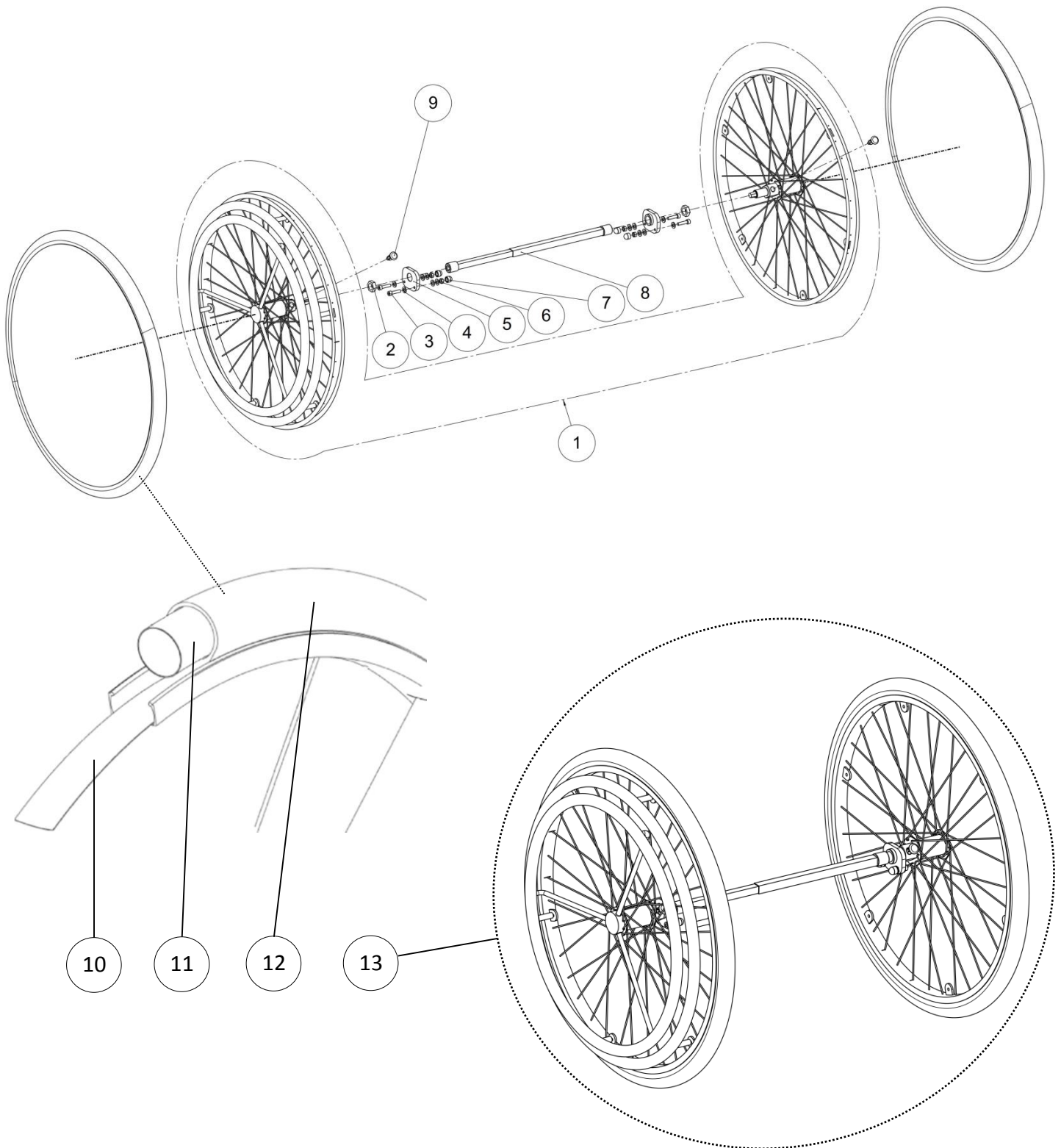
Rear wheel 26"

## Rear wheel 26"

Pos	Qty	Stock Code	Description En	Description Fr	Remark
1	2	<b>A7001XXXFO</b>	Rear wheel wedging washer	Rondelle de calage roue arrière	
2	1	<b>L7005XLSFO</b>	Long sleeve Ø12	Palier roue Ø12	
3	1	<b>A7650X02FO</b>	Complete wheel 26" anodized clear handrim + HP tire	Roue Ø26" complète + main courante anodisée + pneu HP	Can be mounted only if wheelchair is equipped with footrest extensions (322607)
4	1	<b>L7002XXXFO</b>	Quick release axle long + nut M12	Axe QR long + écrou M12	
5	1	<b>C1007XXXFO</b>	Shock absorber 10mm	Amortisseur 10mm	
6	1	<b>A7650X01AI</b>	Footrest extension	Rallonge repose pieds	
7	0.5	<b>322607</b>	Kit footrest extension (pair)	Kit extension tube jambier (paire)	
8	0.5	<b>L7650XXXFO</b>	Kit 26" wheels (pair)	Kit roues 26" (paire)	

Wheels

Hemiplegic wheels





Wheels

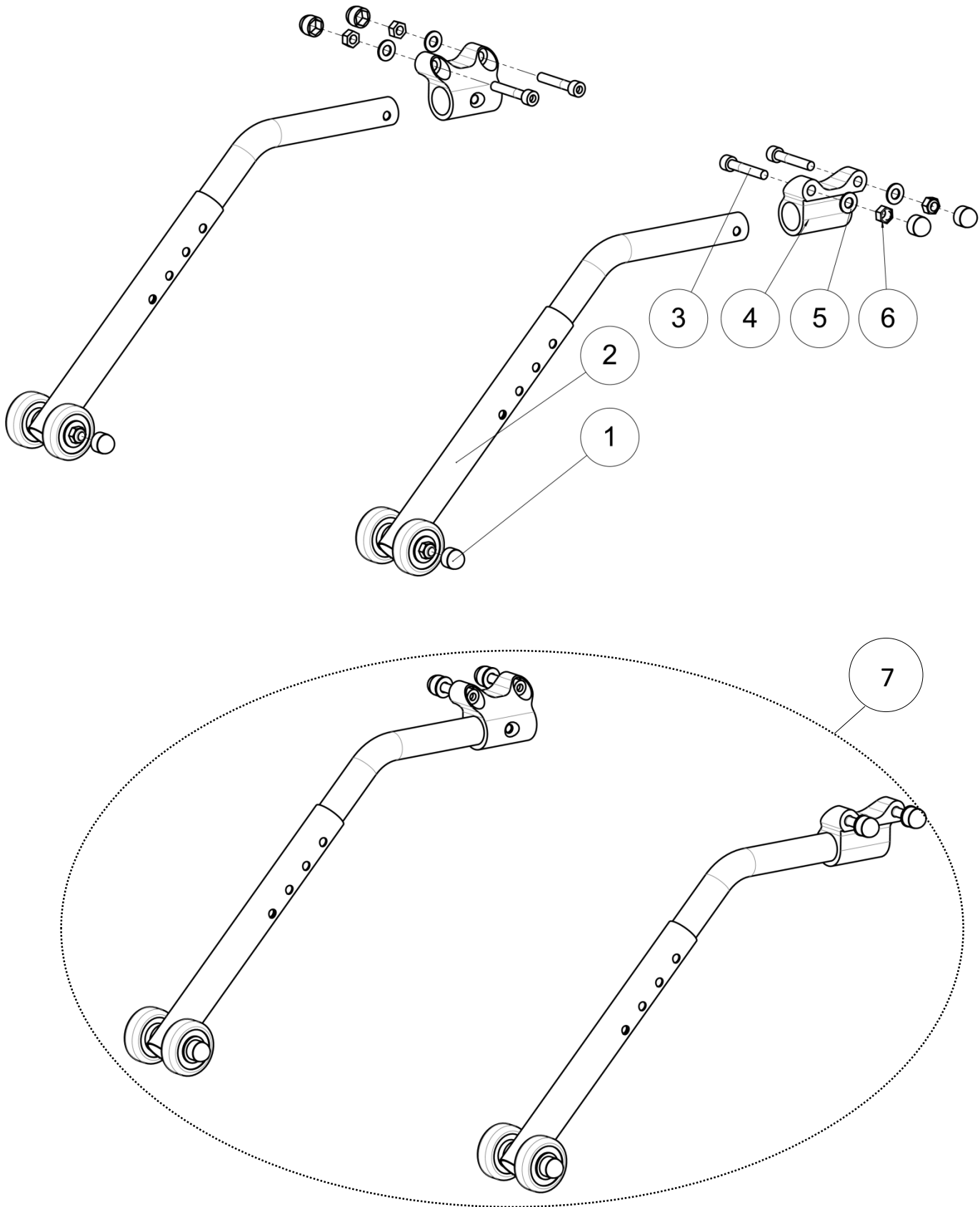
Hemiplegic wheels

## Hemiplegic wheels

Pos	Qty	Stock Code	Description En	Description Fr	Remark
1	1	L9145XXXFO	Dual hemiplegic handrim 24''	Double main courante hémipnégique 24''	Tubes and tires not included
2	2	L7005XECFO	Nut for wheel bearing	Ecrou zingué 22 pour palier QR	Included in L9145XXXFO
3	4	VIS-CHC6X25ZN	Hexagon socket head cap screw M6x25	Vis tête cylindrique M6x25 six pans creux	
4	12	RON-M6ZN	Plain washer Ø6	Rondelle plate M Ø6	
5	2	L9146XXXAI	Plate for hemiplegic kit	Platine pour kit hémipnégique	
6	4	ECR-HFR6ZN	Prevailing torque type hexagon nut M6	Ecrou frein M6	
7	4	C0215XXXFO	Nut cap M6	Cache écrou m6	
8	1	L9147XXXFO	Telescopic shaft	Barre télescopique	
9	2	MP035XXXFO	Indexation pin M10x1 with lock	Doigt indexage M10x1 avec verrou	
10	2	L7611FJXFO	Inside rim protection for rim 24''	Fond de jante pour jante 24''	
11	2	L7611HPRFO	Tube high pressure for tire 24''	Chambre à air HP pour pneu 24''	
		L7611STDFO	Tube standard for tire 24''	Chambre à air standard pour pneu 24''	
12	2	L7601HPRFO	High pressure tire 24''	Pneu 24'' HP	NOT COMPATIBLE WITH SPINERGY WHEELS NOT COMPATIBLE WITH SPINERGY WHEELS NOT COMPATIBLE WITH SPINERGY WHEELS
		L7601MARFO	Tire 24'' marathon evolution	Pneu 24'' marathon evolution	
		L7601STDFO	Standard tire 24''	Pneu 24'' standard	
		N-BA600100L	Flat free tire 24"x 1" glossy finish	Bandage 24"x 1" lisse	
		N-BA600138L	Flat free tire 24"x 1"3/8 glossy finish	Bandage 24"x 1"3/8 lisse	
		N-BA600138C	Soly poly 24"x 1"3/8	Bandage 24"x 1"3/8 cranté	
13	1	A7700XXXFO	Kit hemiplegic	Kit hémipnégique	Delivery with high pressure tubes and tires 24''

**Wheels**

**Anti-tipper wheels**







Wheels

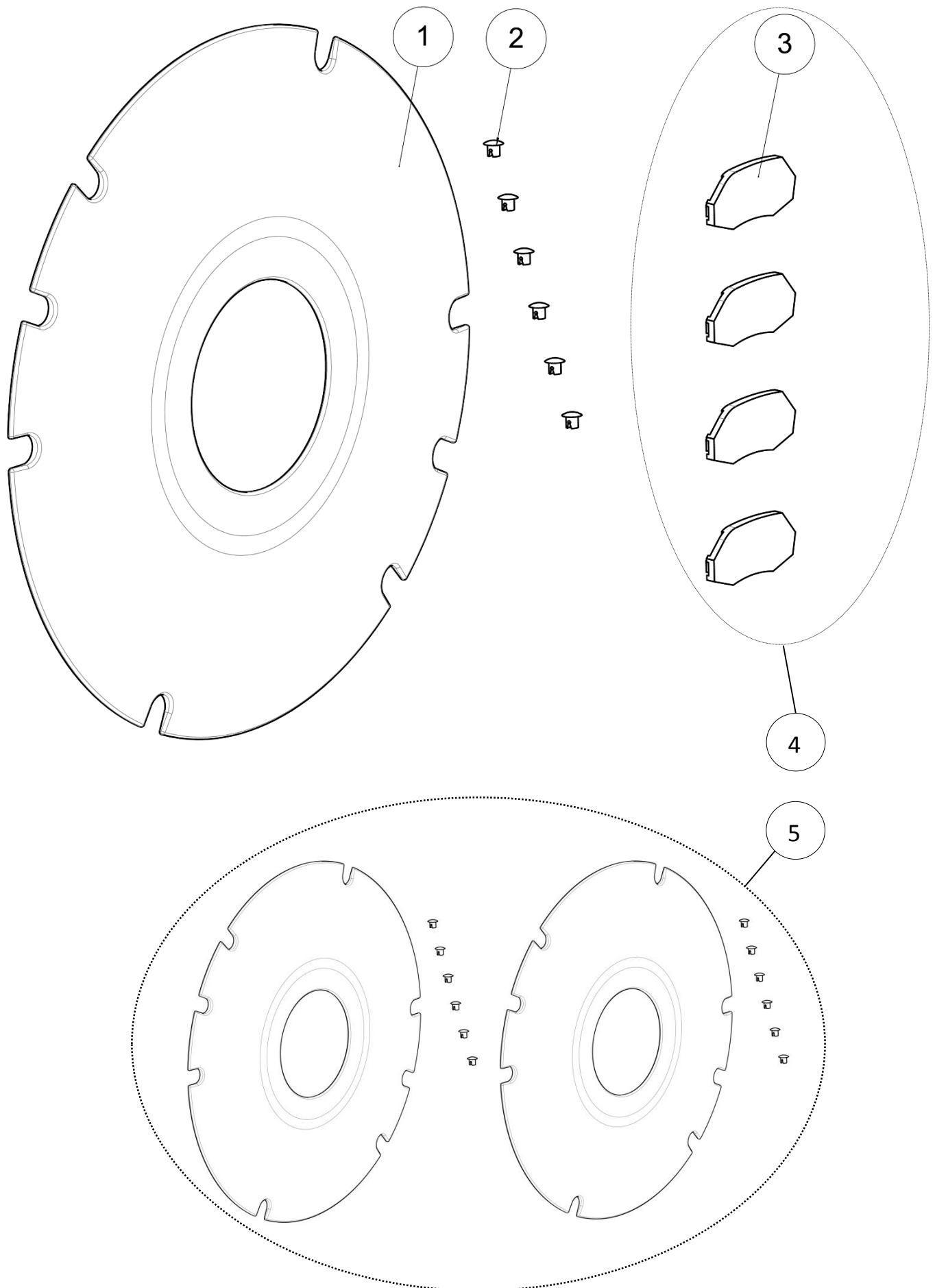
Anti-tipper wheels

### Anti-tipper wheels

Pos	Qty	Stock Code	Description En	Description Fr	Remark
1	6	<b>C0215XXXFO</b>	Nut cap M6	Cache écrou M6	
2	1	<b>L9020XXXFO</b>	Anti-tipper wheels (pair)	Roulettes anti-bascule (paire)	
3	4	<b>VIS-CHC6X30ZN</b>	Hexagon socket head cap screw M6x30	Vis tête cylindrique M6x30 six pans creux	
4	2	<b>A9001XXXAI</b>	Anti tip bar fitting	Support roulette anti-bascule	
5	4	<b>RON-M6ZN</b>	Plain washer Ø6	Rondelle plate M Ø6	
6	4	<b>ECR-HFR6ZN</b>	Prevailing torque type hexagon nut M6	Ecrou frein M6	
7	1	<b>A9020XXXAI</b>	Kit anti-tipper wheels (pair)	Kit roulettes anti-bascule (paire)	

Wheels

Rear wheels accessories





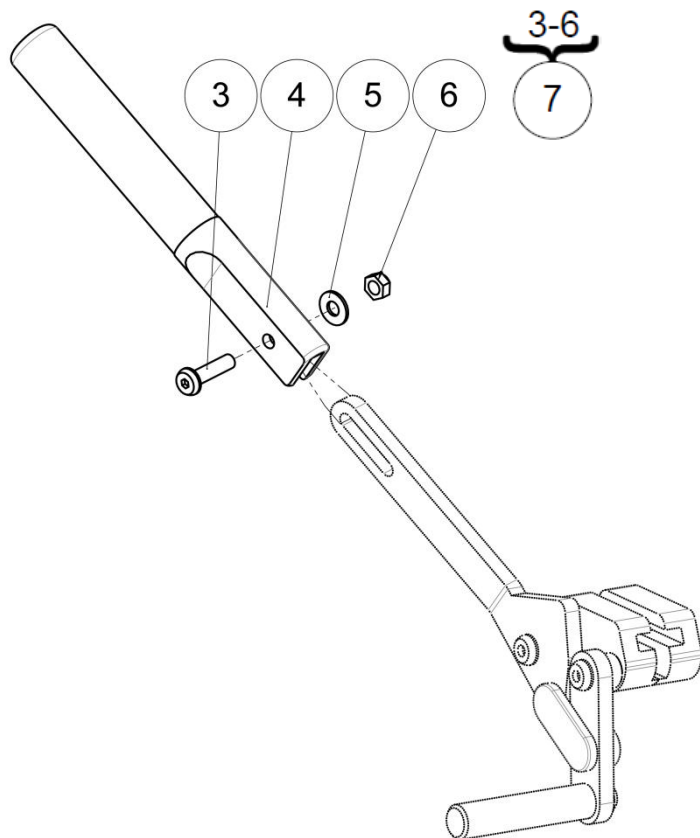
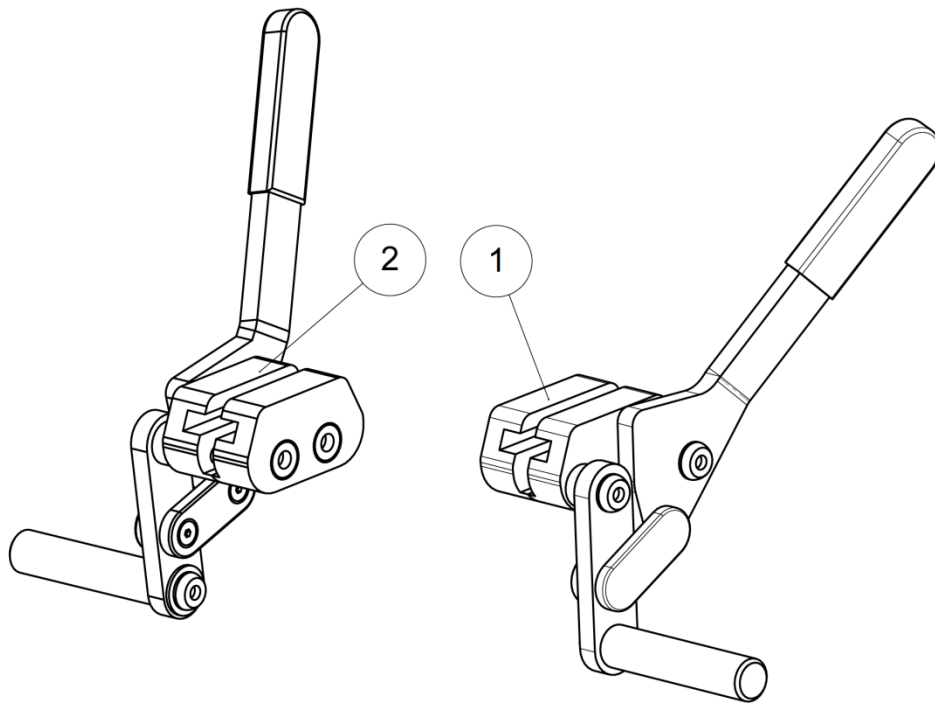
Wheels

Rear wheels accessories

## Rear wheels accessories

Pos	Qty	Stock Code	Description En	Description Fr	Remark
1	2	<b>L7003145FO</b>	Spoke guard 24''	Flasque Øint 145 Øext 600mm	
2	12	<b>L7003XXXFO</b>	Clips for spoke guard	Clips flasque de roue	
3	4	<b>L0014XXXFO</b>	Reflector	Catadioptré	NOT COMPATIBLE WITH SPINERGY
4	1	<b>L7121XXXFO</b>	Kit 4 reflectors	Kit 4 catadioptrés	NOT COMPATIBLE WITH SPINERGY
5	1	<b>L7120XXXFO</b>	Kit spoke guards 24'' (pair)	Kit flasques de roues 24'' (paire)	

Brakes

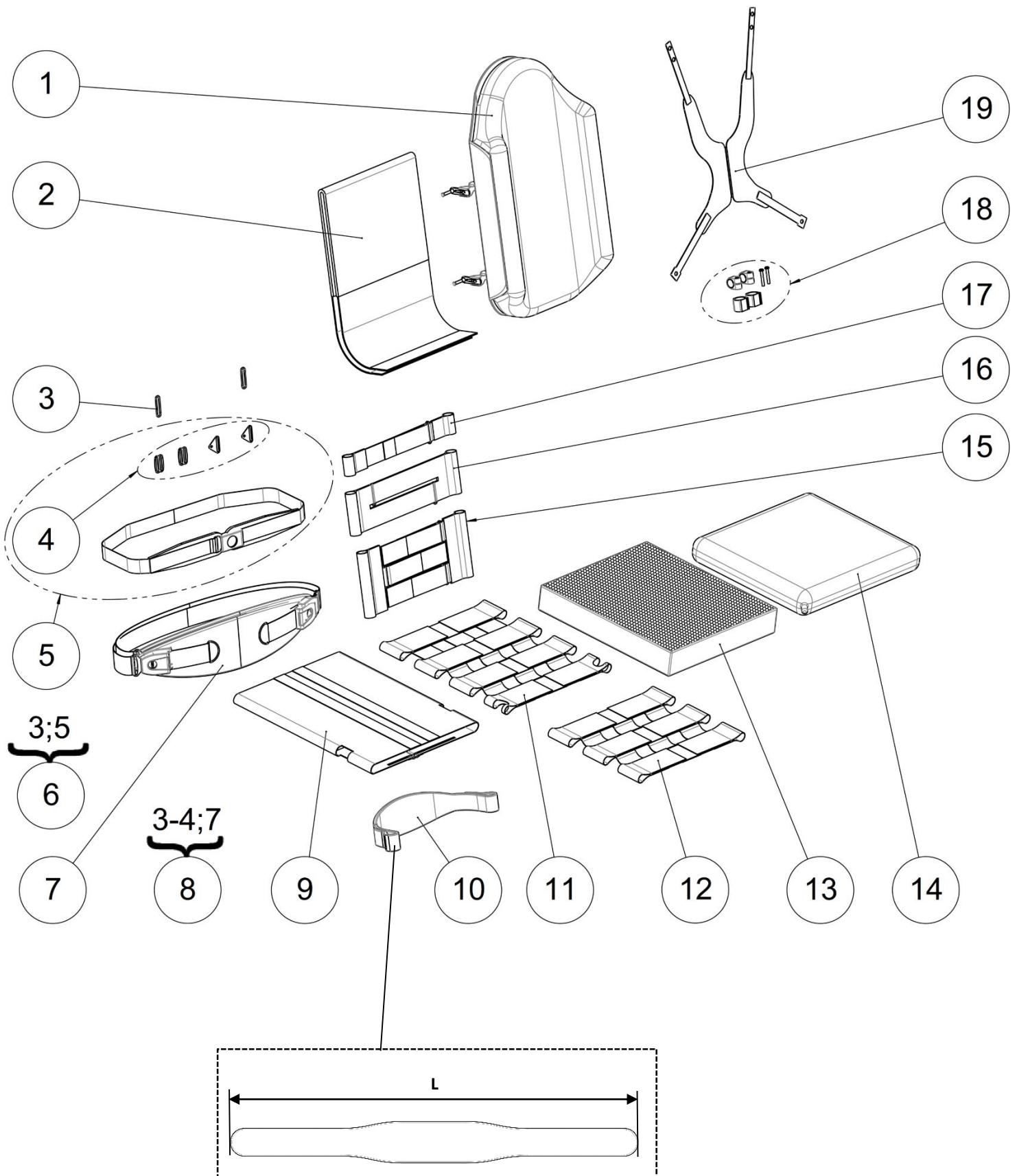


## Brakes

## Brakes

Pos	Qty	Stock Code	Description En	Description Fr	Remark
1	1	<b>L1120RXXAI</b>	Right brake	Frein droit	
2	1	<b>L1120LXXAI</b>	Left brake	Frein gauche	
3	1	<b>VIS-CBHC5X20ZN</b>	Hexagon socket button head screw M5x20	Vis tête bombée M5x20 six pans creux	
4	1	<b>L1126XXXFO</b>	Brake lever for hinged handle	Rallonge poignée frein escamotable	
5	1	<b>RON-M5ZN</b>	Plain washer Ø5	Rondelle plate M Ø5	
6	1	<b>ECR-HFR5ZN</b>	Prevailing torque type hexagon nut M5	Ecrou frein M5	
7	1	<b>L1125XXXFO</b>	Kit brake extension (pair)	Kit extension de frein (paire)	

Textiles



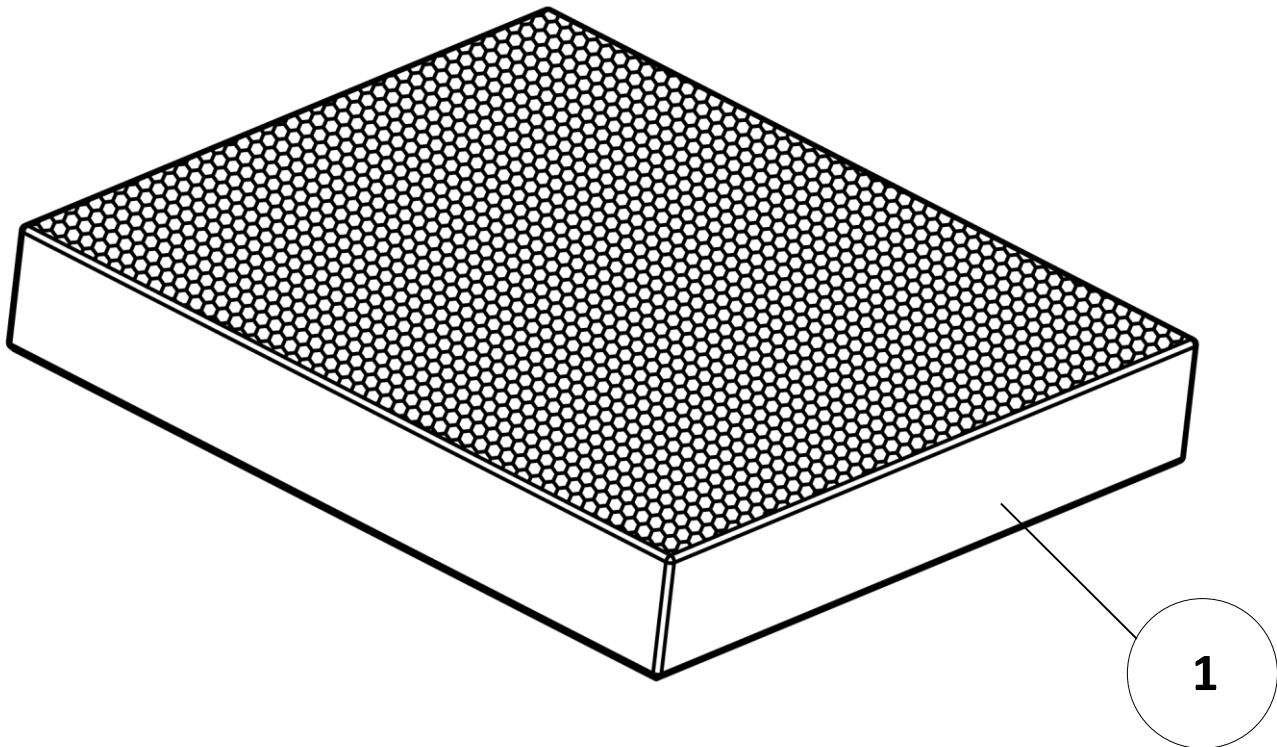
## Textiles

## Textiles

Pos	Qty	Stock Code	Description En	Description Fr	Remark
1	1		Varilite backrest	Dossier Varilite	See all sizes p.86
2	1	<b>L6005X36FO</b>	Standard backrest cover size 36 cm	Couvre dossier standard taille 36 cm	
		<b>L6005X40FO</b>	Standard backrest cover size 40 cm	Couvre dossier standard taille 40 cm	
		<b>L6005X44FO</b>	Standard backrest cover size 44-48 cm	Couvre dossier standard taille 44-48 cm	
		<b>L6005H40FO</b>	Extended backrest cover size 36-40 cm	Couvre dossier rehaussé taille 36-40 cm	
		<b>L6005H44FO</b>	Extended backrest cover size 44 cm	Couvre dossier rehaussé taille 44 cm	
		<b>L6005H48FO</b>	Extended backrest cover size 48 cm	Couvre dossier rehaussé taille 48 cm	
3	2	<b>L6008XXXFO</b>	Metal ring	Boucle métallique	
4	1	<b>N-POBAS50</b>	Fixation kit	Kit de fixation	
5	1		Bodypoint chest strap S/M	Ceinture ventrale S&M	NOT FOR SALE N-POBAS30
			Bodypoint chest strap L	Ceinture ventrale L	NOT FOR SALE N-POBAS31
6	1	<b>322914</b>	Kit Bodypoint chest strap S/M	Kit ceinture ventrale S&M	
		<b>322915</b>	Kit Bodypoint chest strap L	Kit ceinture ventrale L	
7	1		Bodypoint large abdominal strap	Sangle abdominale	NOT FOR SALE N-POBAS40
8	1	<b>322916</b>	Kit Bodypoint large abdominal strap	Kit sangle abdominale	
9	1	<b>L6006X40FO</b>	Adjustable tense seat size 36-40 cm	Assise en toile tendue taille 36-40 cm	
		<b>L6006X44FO</b>	Adjustable tense seat size 44-48 cm	Assise en toile tendue taille 44-48 cm	
10	1	<b>N-POMOL05</b>	Padded calf panel M	Sangle mollet rembourrée M	L = 890 mm
		<b>N-POMOL06</b>	Padded calf panel L	Sangle mollet rembourrée L	L = 1000 mm
11	1	<b>L6001XX4FO</b>	Four-strap seat for size 44-48 cm	Assise 4 sangles taille 44-48 cm	
12	1	<b>L6001XX3FO</b>	Three-strap seat for size 36-40 cm	Assise 3 sangles taille 36-40 cm	
13	1		Seat cushion visco	Coussin visco	See all sizes p.84
14	1		Varilite cushion	Coussin Varilite	See all sizes p.86
15	1	<b>L6002XX3FO</b>	Universal three-strap backrest stay	Sous-dossier 3 sangles taille unique	
16	1	<b>L6002XX2FO</b>	Universal two-strap backrest stay	Sous-dossier 2 sangles taille unique	
17	1	<b>L6002XX1FO</b>	Universal one-strap backrest stay	Sous-dossier 1 sangle taille unique	
18	1	<b>N-PODOS01</b>	Framesaver clamp	Adaptateur tubulaire dossier	
19	1	<b>N-POTRO20</b>	Trunk harness stayflex S large-men	Harnais bustier stayflex S large-homme	To be install on belt fixing kit L9029XXXFO (page 24)
		<b>N-POTRO21</b>	Trunk harness stayflex M large-men	Harnais bustier stayflex M large-homme	
		<b>N-POTRO22</b>	Trunk harness stayflex L large-men	Harnais bustier stayflex L large-homme	
		<b>N-POTRO23</b>	Trunk harness stayflex XL large-men	Harnais bustier stayflex XL large-homme	
		<b>N-POTRO31</b>	Trunk harness stayflex M narrow-women	Harnais bustier stayflex M étroit-femme	
		<b>N-POTRO32</b>	Trunk harness stayflex L narrow-women	Harnais bustier stayflex L étroit-femme	
<b>N-POTRO33</b>	Trunk harness stayflex XL narrow-women	Harnais bustier stayflex XL étroit-femme			

Textiles

Seat cushion visco







Textiles

Seat cushion visco

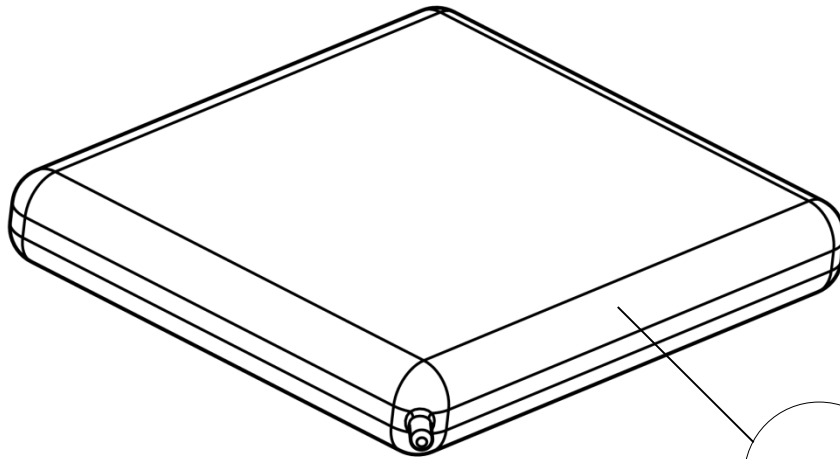
## Seat cushion visco

Pos	Qty	Stock Code	Description En	Description Fr	Remark
		<b>L6110X36FO</b>	Seat cushion size visco 36x40x7 cm	Coussin visco taille 36x40x7 cm	
		<b>321243</b>	Seat cushion size visco 36x47x7 cm	Coussin visco taille 36x47x7 cm	
		<b>321244</b>	Seat cushion size visco 36x53x7 cm	Coussin visco taille 36x53x7 cm	
		<b>L6110X40FO</b>	Seat cushion size visco 40x45x7 cm	Coussin visco taille 40x45x7 cm	
		<b>L6110X4048</b>	Seat cushion size visco 40x48x7 cm	Coussin visco taille 40x48x7 cm	
		<b>321248</b>	Seat cushion size visco 40x53x7 cm	Coussin visco taille 40x53x7 cm	
		<b>L6110X44FO</b>	Seat cushion size visco 44x45x7 cm	Coussin visco taille 44x45x7 cm	
		<b>L6110X4448</b>	Seat cushion size visco 44x48x7 cm	Coussin visco taille 44x48x7 cm	
		<b>321251</b>	Seat cushion size visco 44x53x7 cm	Coussin visco taille 44x53x7 cm	
		<b>L6110X48FO</b>	Seat cushion size visco 48x48x7 cm	Coussin visco taille 48x48x7 cm	
		<b>321253</b>	Seat cushion size visco 48x53x7 cm	Coussin visco taille 48x53x7 cm	

Textiles

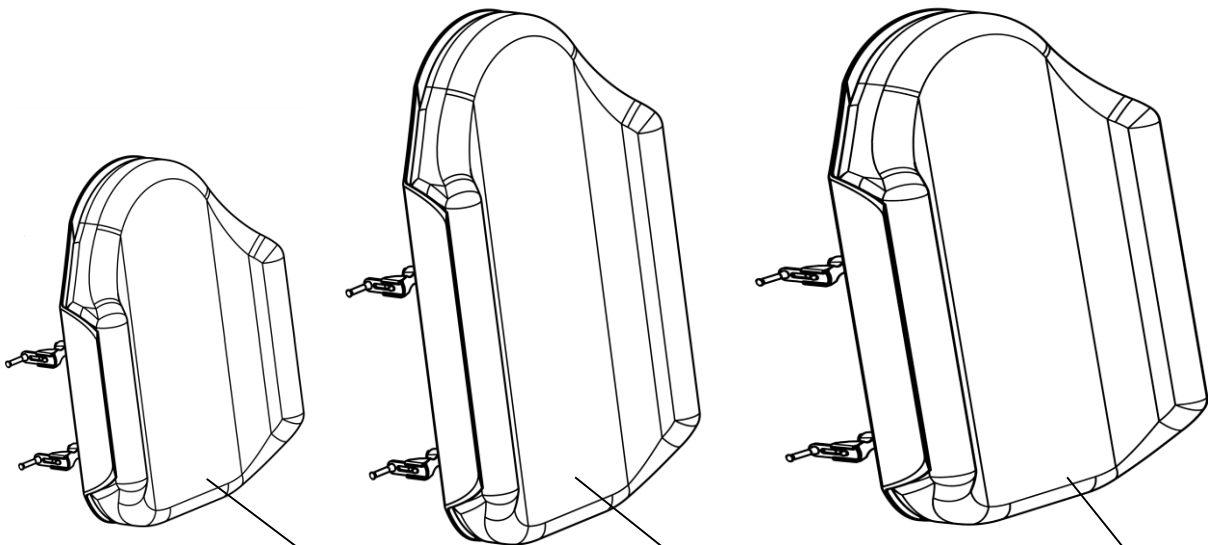
Varilite accessories

Varilite cushion



1

Varilite backrest



2

3

4

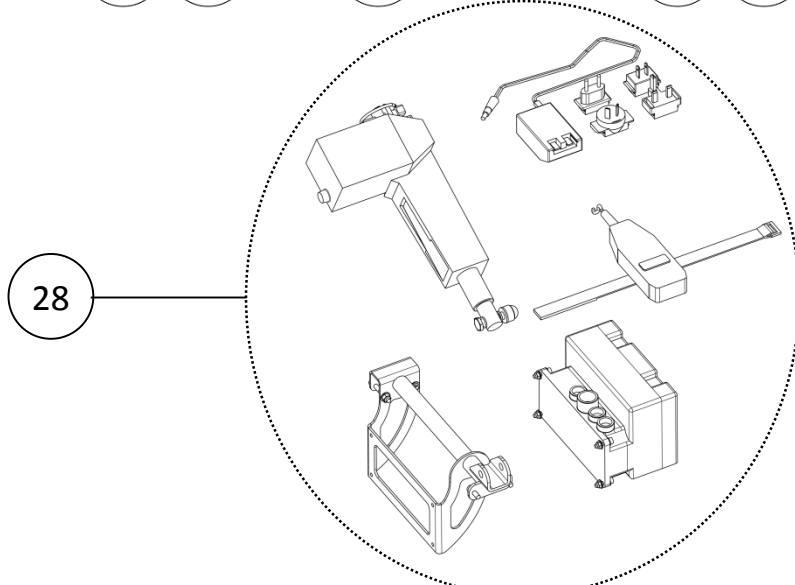
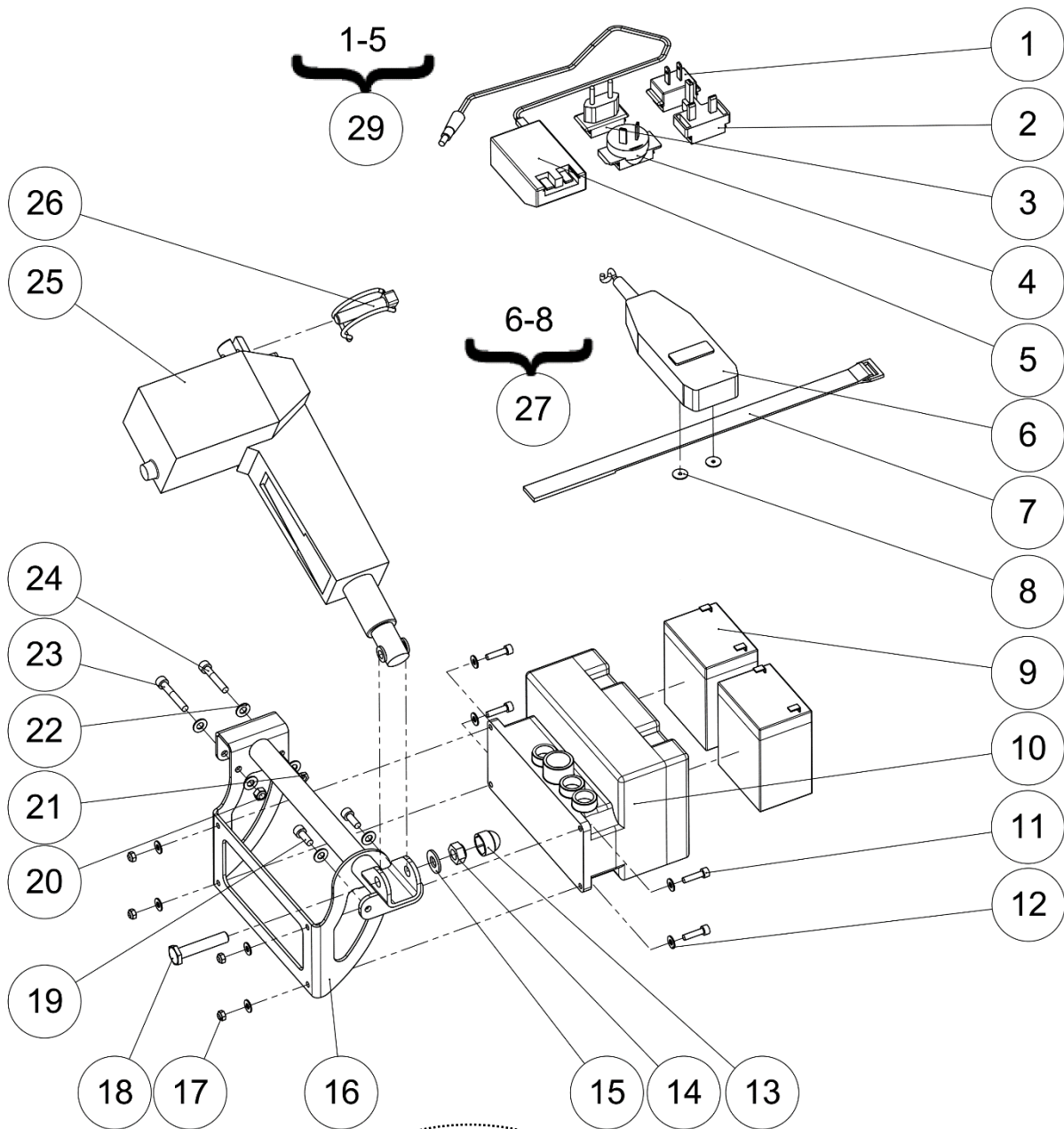
Textiles

Varilite accessories

## Varilite accessories

Pos	Qty	Stock Code	Description En	Description Fr	Remark		
1	1	<b>N-COZOI02</b>	Cushion Varilite ZOID 35x40 cm	Coussin Varilite ZOID 35x40 cm			
		<b>N-COZOI03</b>	Cushion Varilite ZOID 40x40 cm	Coussin Varilite ZOID 40x40 cm			
		<b>N-COZOI04</b>	Cushion Varilite ZOID 40x45 cm	Coussin Varilite ZOID 40x45 cm			
		<b>N-COZOI05</b>	Cushion Varilite ZOID 45x45 cm	Coussin Varilite ZOID 45x45 cm			
		<b>N-COZOI06</b>	Cushion Varilite ZOID 45x40 cm	Coussin Varilite ZOID 45x40 cm			
		<b>N-COZOI09</b>	Cushion Varilite ZOID 45x50 cm	Coussin Varilite ZOID 45x50 cm			
		<b>N-COZOI07</b>	Cushion Varilite ZOID 50x45 cm	Coussin Varilite ZOID 50x45 cm			
		<b>N-COZOI08</b>	Cushion Varilite ZOID 50x50 cm	Coussin Varilite ZOID 50x50 cm			
		<b>N-COEVO03</b>	Cushion Varilite EVOLUTION 35x40 cm	Coussin Varilite EVOLUTION 35x40 cm			
		<b>N-COEVO035</b>	Cushion Varilite EVOLUTION 35x45 cm	Coussin Varilite EVOLUTION 35x45 cm			
		<b>N-COEVO04</b>	Cushion Varilite EVOLUTION 40x40 cm	Coussin Varilite EVOLUTION 40x40 cm			
		<b>N-COEVO05</b>	Cushion Varilite EVOLUTION 40x45 cm	Coussin Varilite EVOLUTION 40x45 cm			
		<b>N-COEVO06</b>	Cushion Varilite EVOLUTION 40x50 cm	Coussin Varilite EVOLUTION 40x50 cm			
		<b>N-COEVO065</b>	Cushion Varilite EVOLUTION 43x43 cm	Coussin Varilite EVOLUTION 43x43 cm			
		<b>N-COEVO07</b>	Cushion Varilite EVOLUTION 45x40 cm	Coussin Varilite EVOLUTION 45x40 cm			
		<b>N-COEVO08</b>	Cushion Varilite EVOLUTION 45x45 cm	Coussin Varilite EVOLUTION 45x45 cm			
		<b>N-COEVO09</b>	Cushion Varilite EVOLUTION 45x50 cm	Coussin Varilite EVOLUTION 45x50 cm			
		<b>N-COEVO010</b>	Cushion Varilite EVOLUTION 50x40 cm	Coussin Varilite EVOLUTION 50x40 cm			
		<b>N-COEVO011</b>	Cushion Varilite EVOLUTION 50x45 cm	Coussin Varilite EVOLUTION 50x45 cm			
		<b>N-COEVO012</b>	Cushion Varilite EVOLUTION 50x50 cm	Coussin Varilite EVOLUTION 50x50 cm			
		2	1	<b>N-COSTR04</b>	Cushion Varilite STRATUS 35x40 cm	Coussin Varilite STRATUS 35x40 cm	
				<b>N-COSTR05</b>	Cushion Varilite STRATUS 40x40 cm	Coussin Varilite STRATUS 40x40 cm	
<b>N-COSTR06</b>	Cushion Varilite STRATUS 40x45 cm			Coussin Varilite STRATUS 40x45 cm			
<b>N-COSTR07</b>	Cushion Varilite STRATUS 43x43 cm			Coussin Varilite STRATUS 43x43 cm			
<b>N-COSTR08</b>	Cushion Varilite STRATUS 45x40 cm			Coussin Varilite STRATUS 45x40 cm			
<b>N-COSTR09</b>	Cushion Varilite STRATUS 45x45 cm			Coussin Varilite STRATUS 45x45 cm			
3	1	<b>N-COSTR10</b>	Cushion Varilite STRATUS 50x45 cm	Coussin Varilite STRATUS 50x45 cm			
		<b>N-COSTR11</b>	Cushion Varilite STRATUS 50x50 cm	Coussin Varilite STRATUS 50x50 cm			
		<b>N-COEVO33</b>	Backrest Varilite EVOLUTION 36 cm	Dossier Varilite EVOLUTION 36 cm			
		<b>N-COEVO34</b>	Backrest Varilite EVOLUTION 38 cm	Dossier Varilite EVOLUTION 38 cm			
		<b>N-COEVO35</b>	Backrest Varilite EVOLUTION 40 cm	Dossier Varilite EVOLUTION 40 cm			
		<b>N-COEVO36</b>	Backrest Varilite EVOLUTION 43 cm	Dossier Varilite EVOLUTION 43 cm			
4	1	<b>N-COEVO37</b>	Backrest Varilite EVOLUTION 45 cm	Dossier Varilite EVOLUTION 45 cm			
		<b>N-COEVO38</b>	Backrest Varilite EVOLUTION 50 cm	Dossier Varilite EVOLUTION 50 cm			
		<b>N-COEVO13</b>	Backrest Varilite EVOLUTION tall 36 cm	Dossier Varilite EVOLUTION haut 36 cm			
		<b>N-COEVO14</b>	Backrest Varilite EVOLUTION tall 38 cm	Dossier Varilite EVOLUTION haut 38 cm			
		<b>N-COEVO15</b>	Backrest Varilite EVOLUTION tall 40 cm	Dossier Varilite EVOLUTION haut 40 cm			
		<b>N-COEVO16</b>	Backrest Varilite EVOLUTION tall 43 cm	Dossier Varilite EVOLUTION haut 43 cm			
4	1	<b>N-COEVO17</b>	Backrest Varilite EVOLUTION tall 45 cm	Dossier Varilite EVOLUTION haut 45 cm			
		<b>N-COEVO18</b>	Backrest Varilite EVOLUTION tall 50 cm	Dossier Varilite EVOLUTION haut 50 cm			
		<b>N-COEVO43</b>	Backrest Varilite EVOLUTION deep 36 cm	Dossier Varilite EVOLUTION profond 36 cm			
		<b>N-COEVO44</b>	Backrest Varilite EVOLUTION deep 38 cm	Dossier Varilite EVOLUTION profond 38 cm			
		<b>N-COEVO45</b>	Backrest Varilite EVOLUTION deep 40 cm	Dossier Varilite EVOLUTION profond 40 cm			
		<b>N-COEVO46</b>	Backrest Varilite EVOLUTION deep 43 cm	Dossier Varilite EVOLUTION profond 43 cm			
4	1	<b>N-COEVO47</b>	Backrest Varilite EVOLUTION deep 45 cm	Dossier Varilite EVOLUTION profond 45 cm			
		<b>N-COEVO48</b>	Backrest Varilite EVOLUTION deep 50 cm	Dossier Varilite EVOLUTION profond 50 cm			

Electric standing

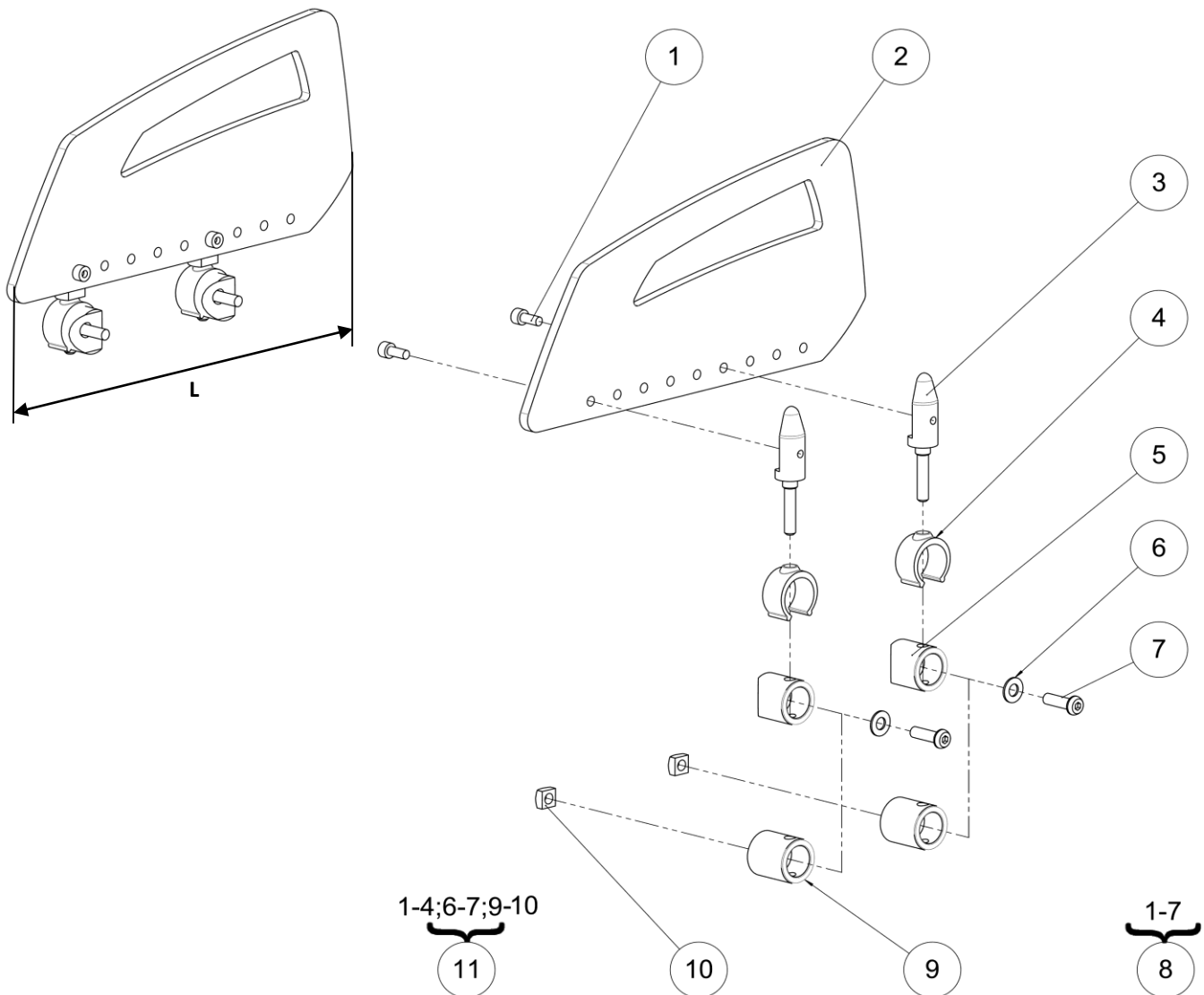



## Electric standing

## Electric standing


Pos	Qty	Stock Code	Description En	Description Fr	Remark
1	1	L5003USAFO	USA Plug	Plug primaire USA	
2	1	L5003UKXFO	UK Plug	Plug primaire UK	
3	1	L5003EURFO	European Plug	Plug primaire Europe	
4	1	L5003AUSFO	Australian Plug	Plug primaire Australie	
5	1		Charger for standing up 24V	Base chargeur 24V avec témoin	NOT FOR SALE L5002SXXFO
6	1		Stand-up remote control	Télécommande verticalisation	NOT FOR SALE L5005XXXFO
7	1	L6007XXXFO	Velcro strap + Ring	Attache velcro + anneau	
8	2	RON-LL3ZN	Fender washer Ø3	Rondelle plate LL Ø3	
9	2	L5008XXXFO	Batteries 12V 29Ah (unit)	Batteries vertic. 12 V 29 Ah (l'unité)	
10	1	L5004BOIFO	Control box + 2 batteries	Boitier contrôle + 2 Batteries	Batteries included
		L5004SAVFO	Relay box + card without batteries	Boitier + carte vérin sans batteries	Batteries not included
11	4	VIS-CHC5X20ZN	Hexagon socket head cap screw M5x20	Vis tête cylindrique M5x20 six pans creux	
12	8	RON-M5ZN	Plain washer Ø5	Rondelle plate M Ø5	
13	1	C0216XXXFO	Nut cap M10	Cache écrou M10	
14	1	ECR-HFR10ZN	Prevailing torque type hexagon nut M10	Ecrou frein M10	
15	1	RON-M10ZN	Plain washer Ø10	Rondelle plate M Ø10	
16	1	L5101XXXPN	Support frame actuator LSE	Berceau vérin noir LSE	
17	4	ECR-HFR5ZN	Prevailing torque type hexagon nut M5	Ecrou frein M5	
18	1	C0204XXXZN	Axle Ø10x51.5x17mm	Axe Ø10x51.5x17mm	
19	2	VIS-CHC6X16ZN	Hexagon socket head cap screw M6x16	Vis tête cylindrique M6x16 six pans creux	
20	1	ECR-HFR6ZN	Prevailing torque type hexagon nut M6	Ecrou frein M6	
21	1	ECR-HM6ZN	Hexagon thin nut M6	Ecrou bas M6	
22	6	RON-M6ZN	Plain washer Ø6	Rondelle plate M Ø6	
23	1	VIS-CHC6X40ZN	Hexagon socket head cap screw M6x40	Vis tête cylindrique M6x40 six pans creux	
24	1	VIS-CHC6X35ZN	Hexagon socket head cap screw M6x35	Vis tête cylindrique M6x35 six pans creux	
25	1	L5104XXXFO	Stand-up actuator LSE	Vérin de verticalisation LSE	
26	1	L0013XXXFO	Half moon pin Ø10x45mm	Goupille clip demi-lune Ø10x45mm	
27	1	322889	Kit stand-up remote control	Kit télécommande de verticalisation	
28	1	L5100XXXFO	Kit electrical standing LSE	Kit de verticalisation électrique LSE	
29	1	322917	Kit charger for standing up 24V	Kit chargeur 24V avec témoin	

Side guards





**Kit O9010XXXFO**  
used only with  
**kit UNITRACK 322175**  
 (see pos.18 .p.12)



**Kit C9010XXXFO**  
not compatible with  
**kit UNITRACK 322175**  
 (see pos.18 .p.12)

## Side guards

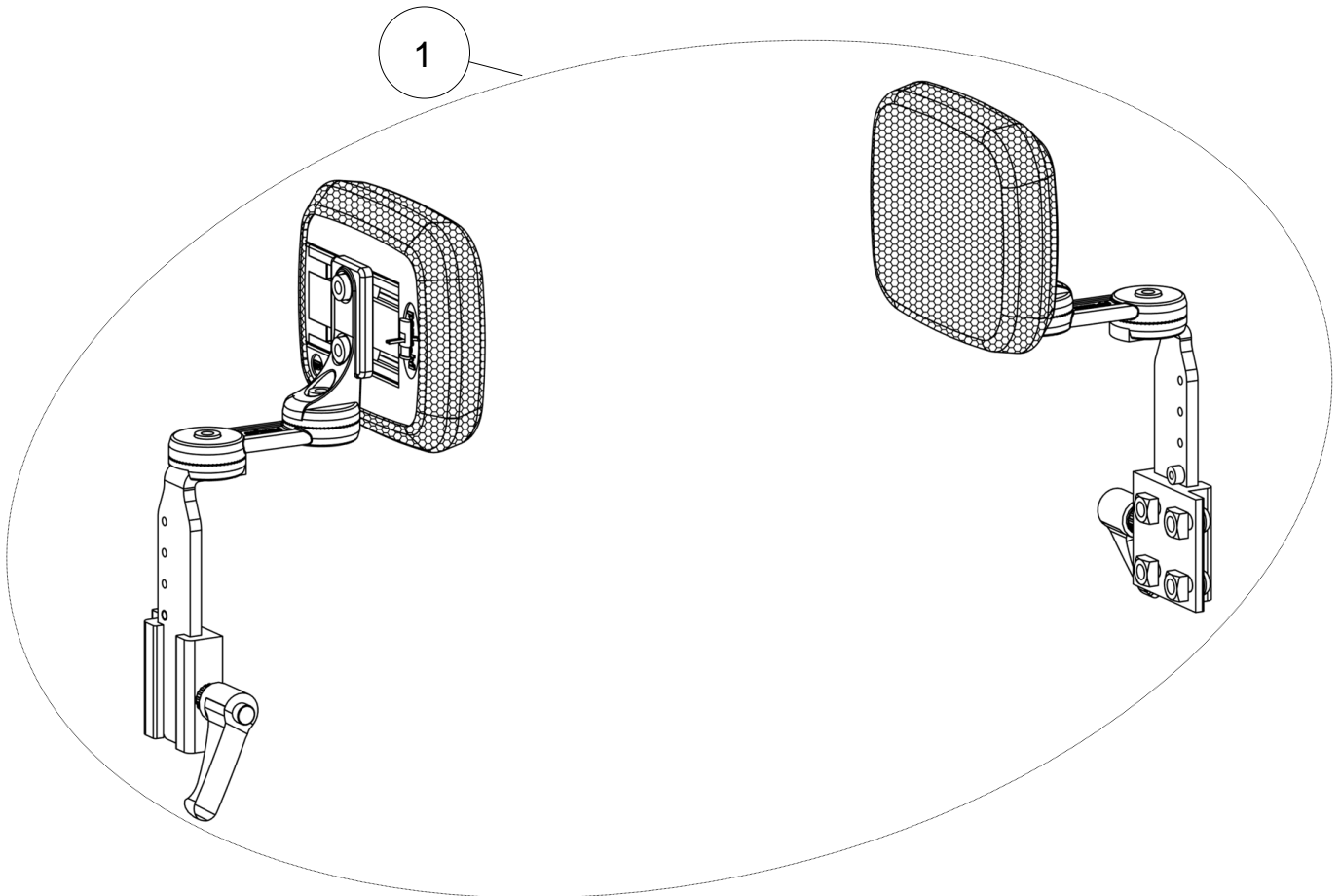
## Side guards

Pos	Qty	Stock Code	Description En	Description Fr	Remark
1	4	<b>VIS-CHC5X12ZN</b>	Hexagon socket head cap screw M5x12	Vis tête cylindrique M5x12 six pans creux	
2	2	<b>C9111XXXFO</b> <b>C9111XSHFO</b>	Clothes guard long Clothes guard short	Protège vêtements long Protège vêtements court	L = 254mm L = 213mm
3	4	<b>L9012XXXFO</b>	Side-guard spindle	Axe protection latérale	
4	4	<b>L0009XXXFO</b>	Tube lock	Verrou de tube	
5	4	<b>C9011XXXFO</b>	Spacer tube	Entretoise dru usinée	
6	4	<b>RON-M6ZN</b>	Plain washer Ø6	Rondelle plate M Ø6	
7	4	<b>VIS-CBHC6X20ZN</b>	Hexagon socket button head screw M6x20	Vis tête bombée M6x20 six pans creux	
8	1	<b>C9010XXXFO</b> <b>C9010XSHFO</b>	Kit side guards long (pair) Kit side guards short (pair)	Kit protection latérale long (paire) Kit protection latérale court (paire)	L = 254mm L = 213mm NC with kit UNITRACK 322175 (see pos.18 p.12)
9	4	<b>O9002XXXFO</b>	Spacer n°1	Entretoise n°1	
10	4	<b>612947</b>	Square nut M6	Ecrou carré M6	
11	1	<b>O9010XXXFO</b> <b>O9010XSHFO</b>	Kit side guards long (pair) Kit side guards short (pair)	Kit protection latérale long (paire) Kit protection latérale court (paire)	L = 254mm L = 213mm Use only with kit UNITRACK 322175 (see pos.18 p.12)

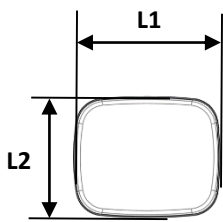


Lateral support

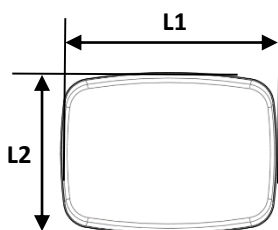
1



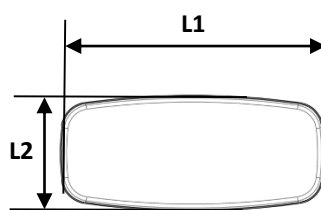
PAD B



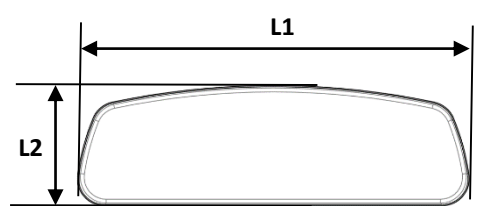
PAD J



PAD C



PAD G



NOT COMPATIBLE WITH LS





## Lateral support

## Lateral support

Pos	Qty	Stock Code	Description En	Description Fr	Remark
1	1	<b>P1822692</b>	Kit lateral support S (pair)	Kit support lateral S (paire)	Pad B: L1xL2 = 110x90 mm
		<b>P1822695</b>	Kit lateral support M (pair)	Kit support lateral M (paire)	Pad J: L1xL2 = 165x120 mm
		<b>P1822696</b>	Kit lateral support L (pair)	Kit support lateral L (paire)	Pad C: L1xL2 = 200x90 mm
		<b>P1822698</b>	Kit lateral support XL (pair)	Kit support lateral XL (paire)	Pad G: L1xL2 = 300x90 mm