



# LSR

## Spare Part Catalog



<b>LSR</b>	<b>SPARE PART CATALOG</b>		 
Item N° <b>323237</b>	Revision <b>B</b>	Date <b>29/07/2015</b>	Page <b>2 of 79</b>

# LSR

## Stand-Up and Relax Wheelchair

**Permobil Group's Head Office**

**Permobil AB**

Box 120  
861 23 Timrå  
Sweden

Tel +46 60 59 59 00  
Fax + 46 60 57 52 50

E-mail [info@permobil.se](mailto:info@permobil.se)

**Permobil Inc. USA**

6961 Eastgate Blvd.  
Lebanon TN 37090  
USA

Phone 800-736-0925  
Fax 800-231-3256


Email [info@permobilusa.com](mailto:info@permobilusa.com)

**Lifestand Groupe Permobil**

5 rue Clément Ader  
69740 Genas  
France



Tel. +33 (0)4 37 26 27 28  
Fax +33 (0)4 37 26 27 29

Email [info@permobil.com](mailto:info@permobil.com)

<b>LSR</b>	<b>SPARE PART CATALOG</b>		
Item N° <b>323237</b>	Revision <b>B</b>	Date <b>29/07/2015</b>	Page <b>3 of 79</b>

## Summary

Frame .....	7
Gas strut clevis assembly .....	9
Upper seat assembly .....	11
Lower seat assembly .....	13
Hook sub assembly.....	15
Backrest .....	17
Backrest Tubes .....	19
Armrests .....	21
Headrest .....	23
Worktable .....	25
Trunk support .....	27
Side hub .....	29
Legrest.....	31
Footrest supports.....	33
Fixed footrest .....	35
Footrest flip up and fold away .....	37
Dual footrest flip up .....	39
Dual footrest flip up and fold away.....	41
Dual footrest flip up and fold away plates .....	43
Dual footrest flip up and fold away rod .....	45
Kneerest .....	47
Gas strut.....	49
Wheels .....	51
Front wheels .....	53
Rear wheel 24'' .....	55
Lifestand rear wheel 24'' .....	57
Rear wheel 24'' Spinergy.....	59
Rear wheel 26'' .....	61
Anti-tipper wheels.....	63
Rear wheels accessories.....	65
Brakes.....	67
Textiles .....	69

<b>LSR</b>	<b>SPARE PART CATALOG</b>		 
Item N° <b>323237</b>	Revision <b>B</b>	Date <b>29/07/2015</b>	Page <b>4</b> of <b>79</b>

Seat cushion visco ..... 71

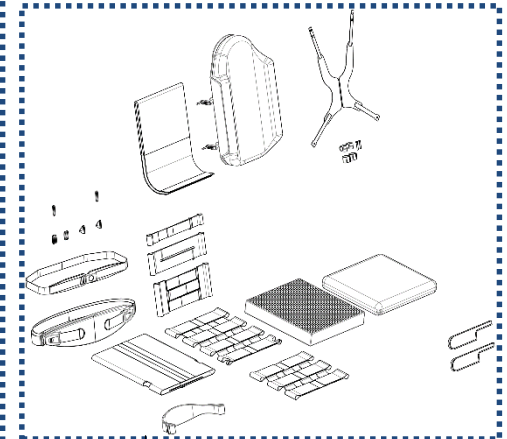
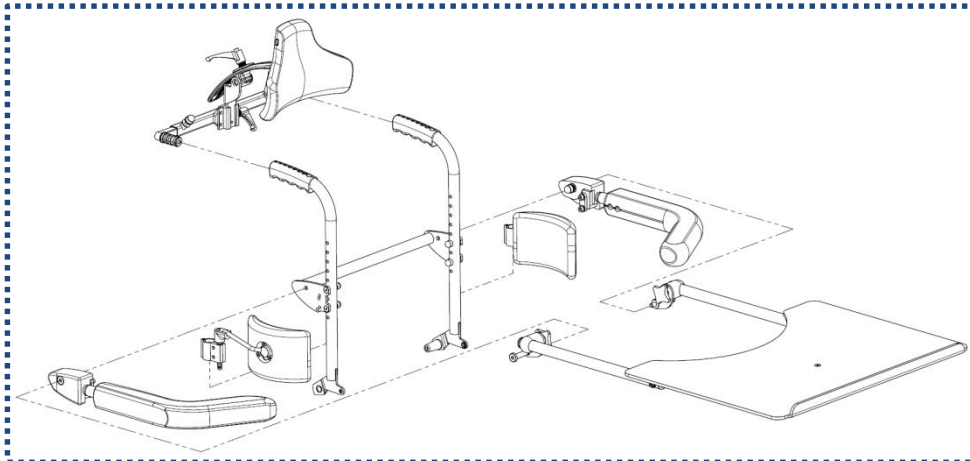
Varilite accessories..... 73

Electronic ..... 75

Side guards..... 77

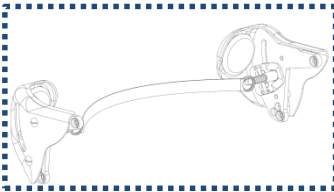
Lateral support..... 79



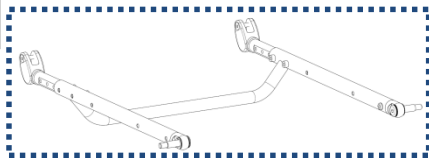


P 16-27

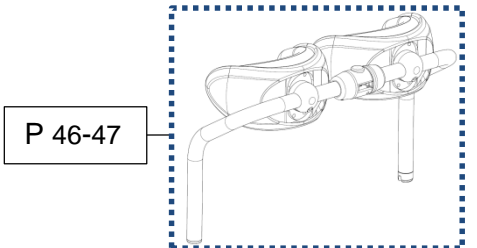
P 68-73



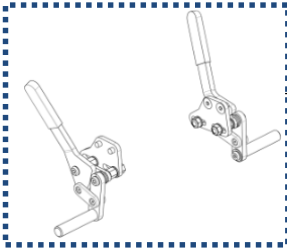
P 28-29



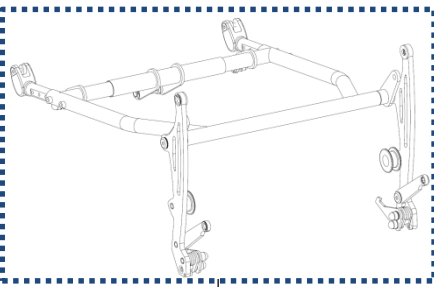
P 10-11



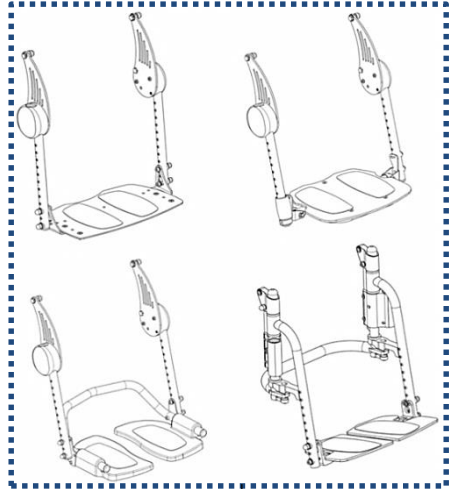
P 46-47



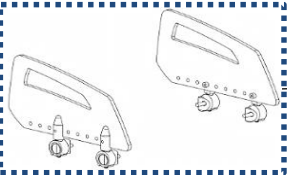
P 66-67



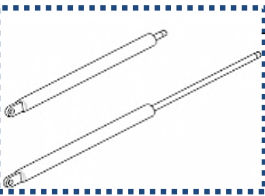
P 12-15



P 30-45



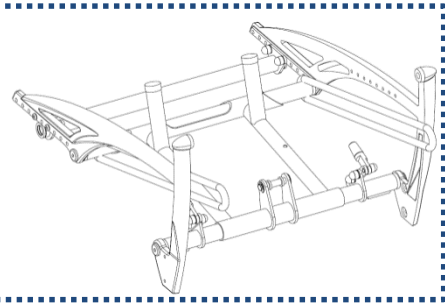
P 76-77



P 48-49

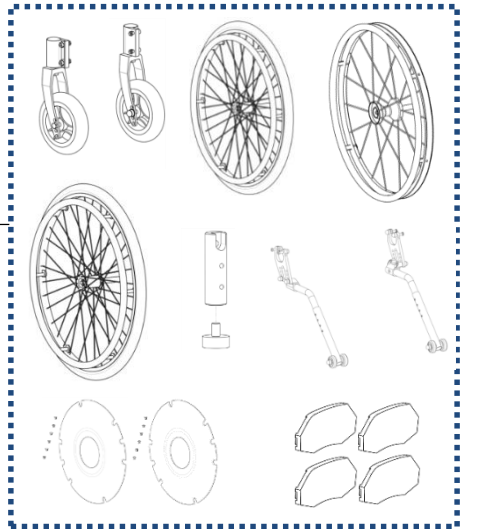
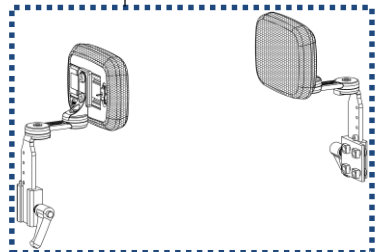
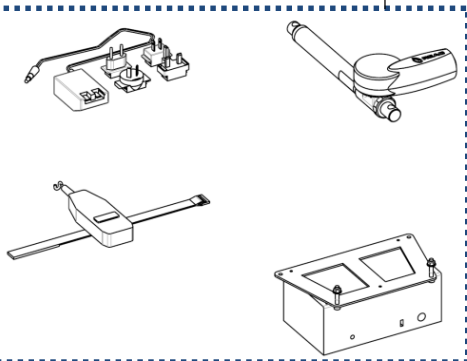
P 6-9

P 74-75

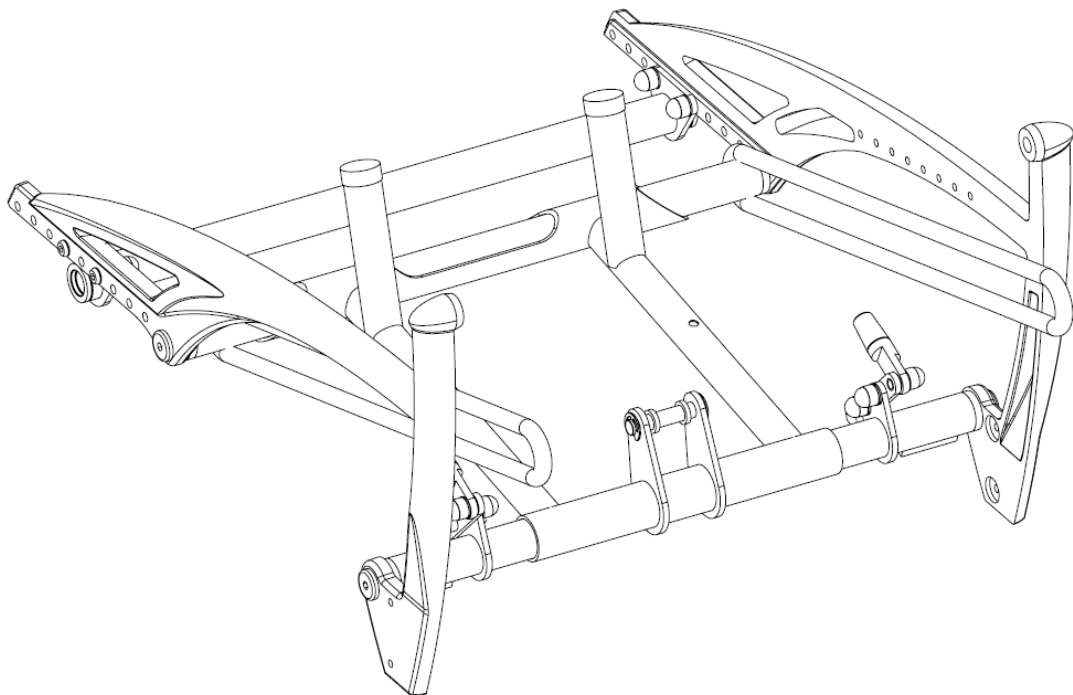
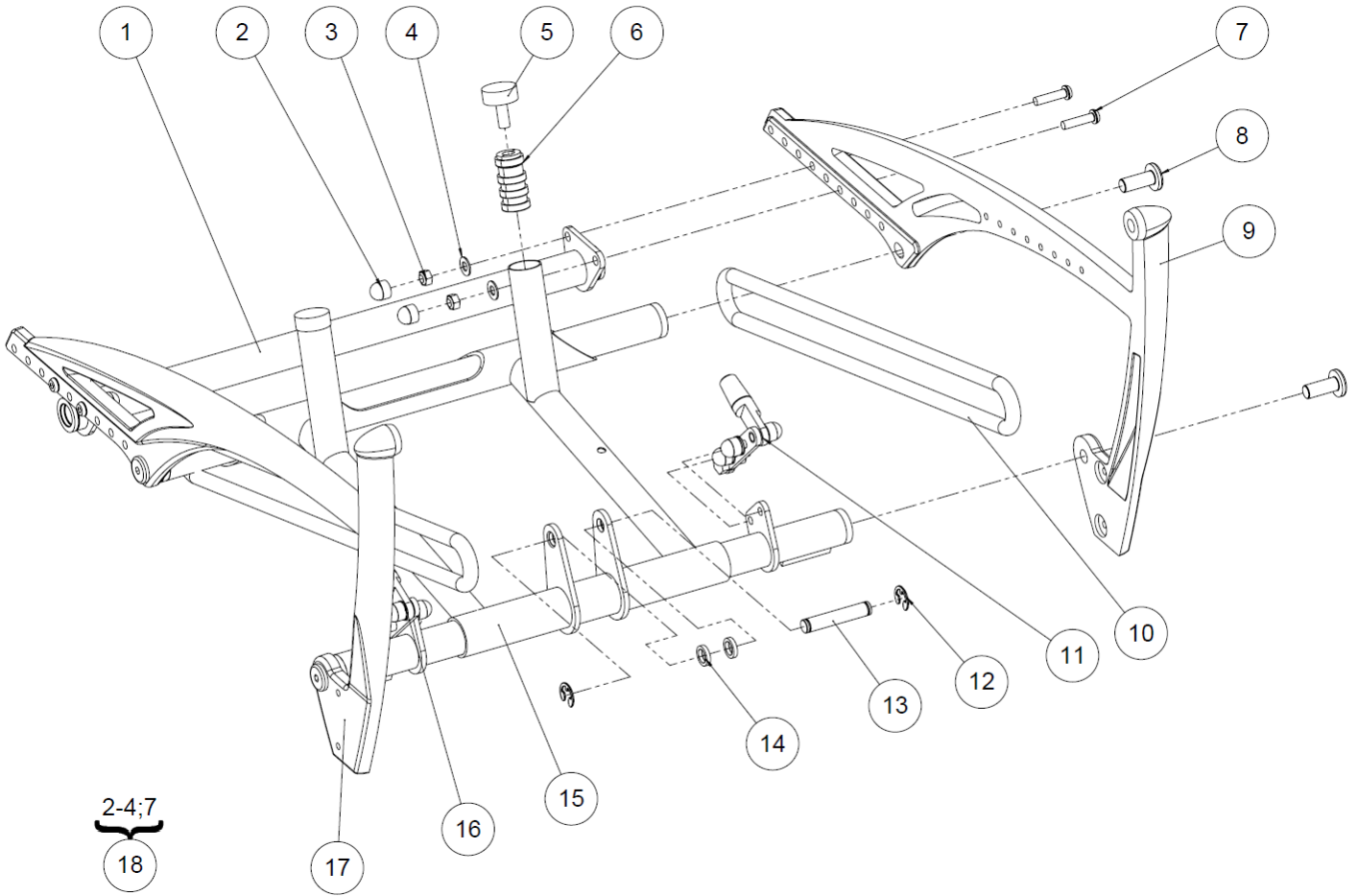


P 78-79

P 50-65




Frame

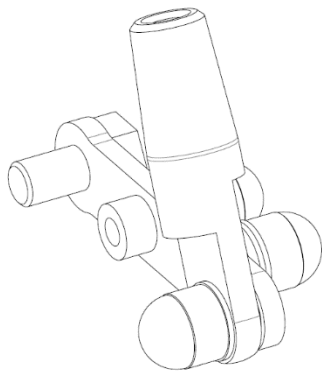
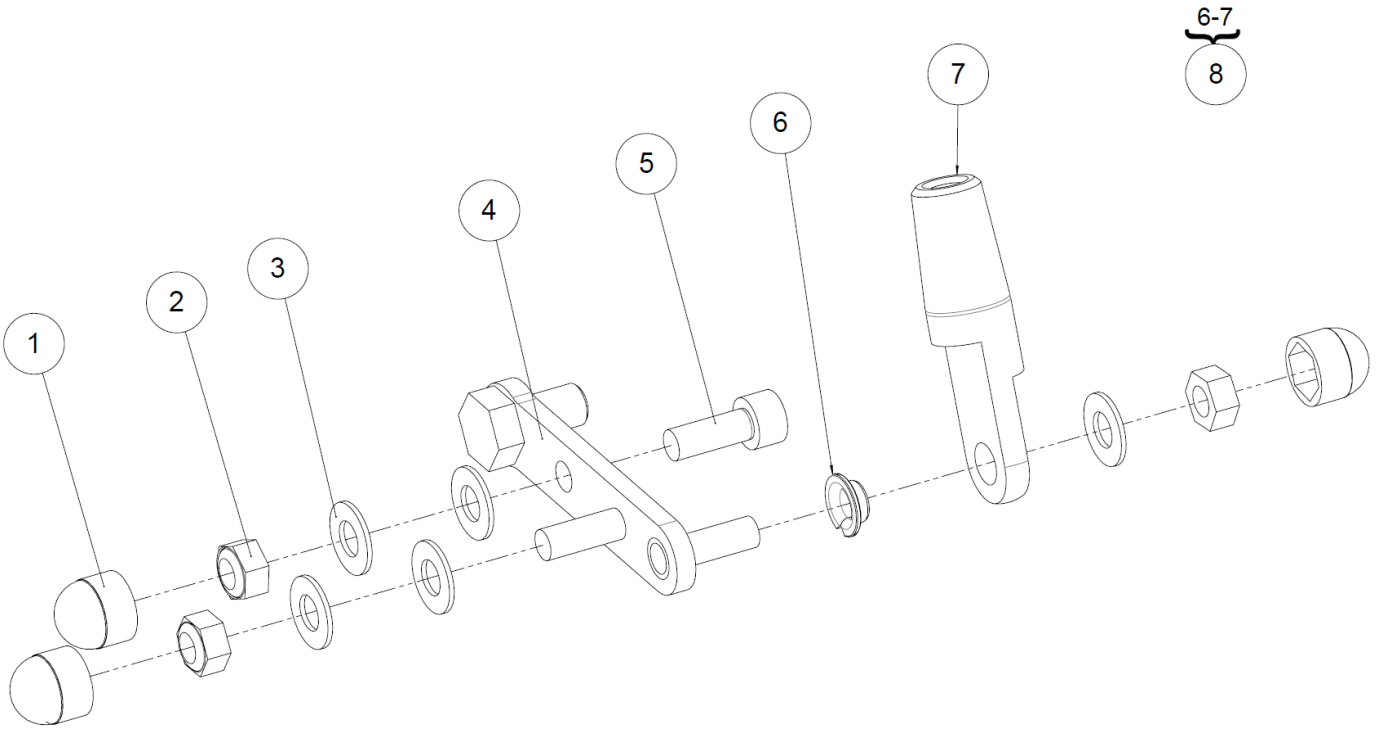


## Frame

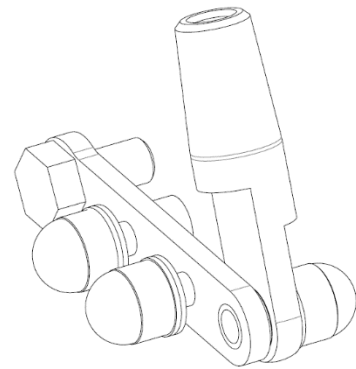
## Frame

Pos	Qty	Stock Code	Description En	Description Fr	Remark
1	1	<b>A1002X36PN</b>	Rear wheel axle size 36 cm	Essieu arrière taille 36 cm	
		<b>A1002X40PN</b>	Rear wheel axle size 40 cm	Essieu arrière taille 40 cm	
		<b>A1002X44PN</b>	Rear wheel axle size 44 cm	Essieu arrière taille 44 cm	
		<b>A1002X48PN</b>	Rear wheel axle size 48 cm	Essieu arrière taille 48 cm	
2	4	<b>C0215XXXFO</b>	Nut cap M6	Cache écrou M6	
3	4	<b>ECR-HFR6ZN</b>	Prevailling torque type hexagon nut M6	Ecrou frein M6	
4	4	<b>RON-M6ZN</b>	Plain washer Ø6	Rondelle plate M Ø6	
5	2	<b>L1007LSEFO</b>	Shock absorber 20mm	Amortisseur 20mm	
6	2	<b>L9038XXXFO</b>	Casing Ø20	Douille expansive Ø20	
7	4	<b>VIS-CBHC6X25ZN</b>	Hexagonal socket button head screw M6x25	Vis tête bombée M6X25 six pans creux	
8	4	<b>L1219XXXFO</b>	M10 axle	Axe M10	
9	1	<b>L1200LXXBL</b>	Left frame white	Chassis gauche blanc	
		<b>L1200LXXPN</b>	Left frame black	Chassis gauche noir	
		<b>L1200LXXPB</b>	Left frame blue	Chassis gauche bleu	
		<b>L1200LXXPR</b>	Left frame red	Chassis gauche rouge	
10	2	<b>L1208XXXFO</b>	Sandow	Sandow	
11	1		Gas strut clevis left assembly	Ensemble chape de vérin gauche	See exploded view p.8
12	2	<b>ANN-RAD10RENFO</b>	E-type reinforced ring Ø10	Anneau E radial renforcé Ø10	
13	1	<b>C1008XXXCR</b>	Axle Ø10mm	Axe Ø10mm	
14	2	<b>RON-M10EPAI-PLAS</b>	Spacer Ø10.3xØ15x3mm	Entretoise Ø10.3xØ15x3mm	
15	1	<b>L1205X36FO</b>	Basic frame size 36 cm	Chassis echelle taille 36 cm	
		<b>L1205X40FO</b>	Basic frame size 40 cm	Chassis echelle taille 40 cm	
		<b>L1205X44FO</b>	Basic frame size 44 cm	Chassis echelle taille 44 cm	
		<b>L1205X48FO</b>	Basic frame size 48 cm	Chassis echelle taille 48 cm	
16	1		Gas strut clevis right assembly	Ensemble chape de vérin droit	See exploded view p.8
17	1	<b>L1200RXXBL</b>	Right frame white	Chassis droit blanc	
		<b>L1200RXXPN</b>	Right frame black	Chassis droit noir	
		<b>L1200RXXPB</b>	Right frame blue	Chassis droit bleu	
		<b>L1200RXXPR</b>	Right frame red	Chassis droit rouge	
18	1	<b>323340</b>	Kit fixation rear wheel axle (pair)	Kit fixation essieu arrière (paire)	

<b>LSR</b>	<b>SPARE PART CATALOG</b>		 <small>LIFESTAND</small>
Item N° <b>323237</b>	Revision <b>B</b>	Date <b>29/07/2015</b>	Page <b>8</b> of <b>79</b>
Frame		Gas strut clevis assembly	



**Right side**



**Left side**

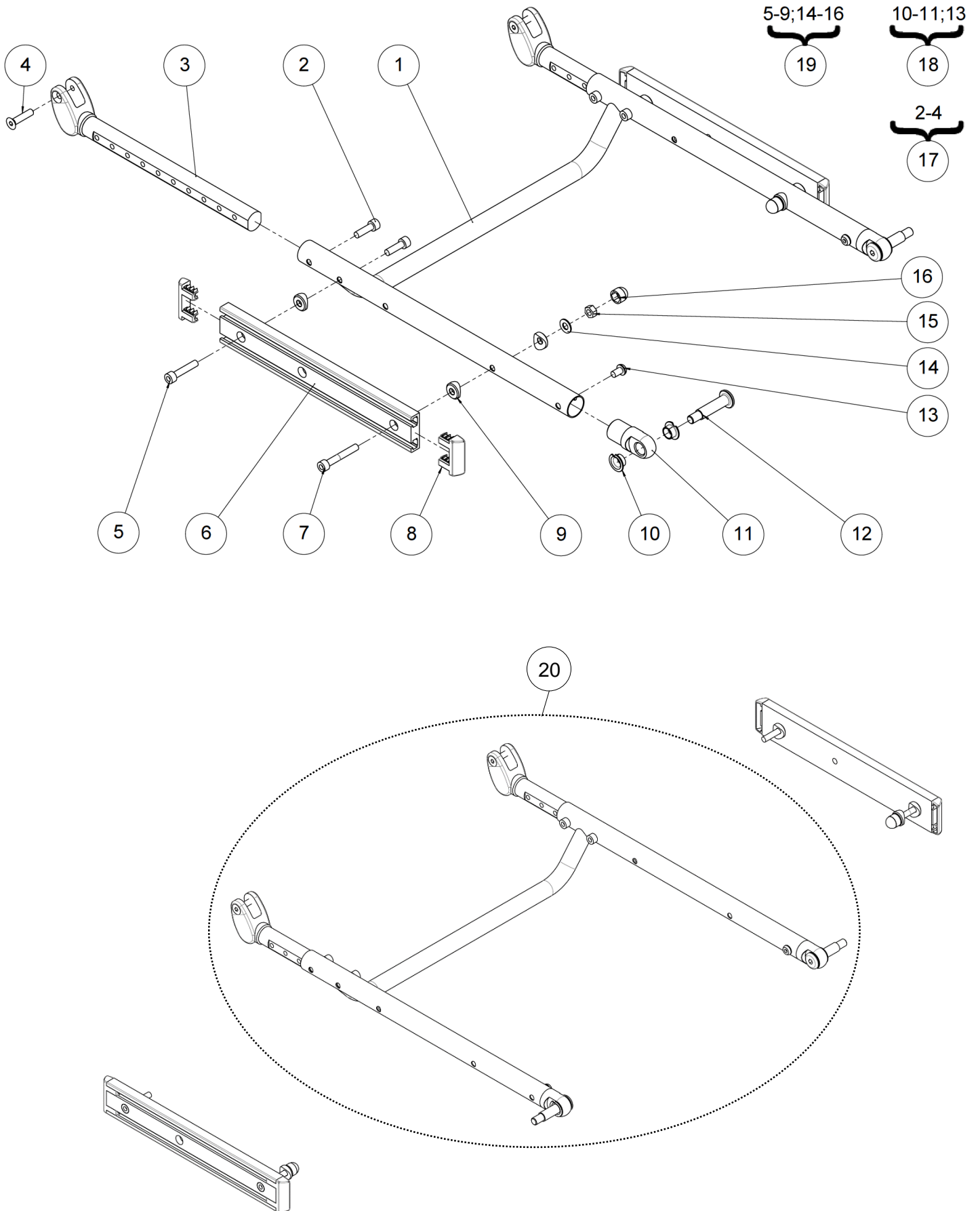


Frame

Gas strut clevis assembly

## Gas strut clevis assembly

Pos	Qty	Stock Code	Description En	Description Fr	Remark
1	6	<b>C0215XXXFO</b>	Nut cap M6	Cache écrou M6	
2	6	<b>ECR-HFR6ZN</b>	Prevaling torque type hexagon nut M6	Ecrou frein M6	
3	10	<b>RON-M6ZN</b>	Plain washer Ø6	Rondelle plate M Ø6	
4	2	<b>L1202XXXFO</b>	Preloading articulated rod	Biellette de précontrainte	
5	2	<b>VIS-CHC6X16ZN</b>	Hexagon socket head cap screw M6x16	Vis à tête cylindrique M6x16 six pans creux	
6	2	<b>L0007060FO</b>	Collar bearing Ø6xØ8x4mm	Coussinet à collerette Ø6xØ8x4mm	
7	2		Gas strut clevis	Chape de vérin	NOT FOR SALE L8110XXXAI
8	2	<b>323348</b>	Kit gas strut clevis (unit)	Kit chape de vérin (l'unité)	





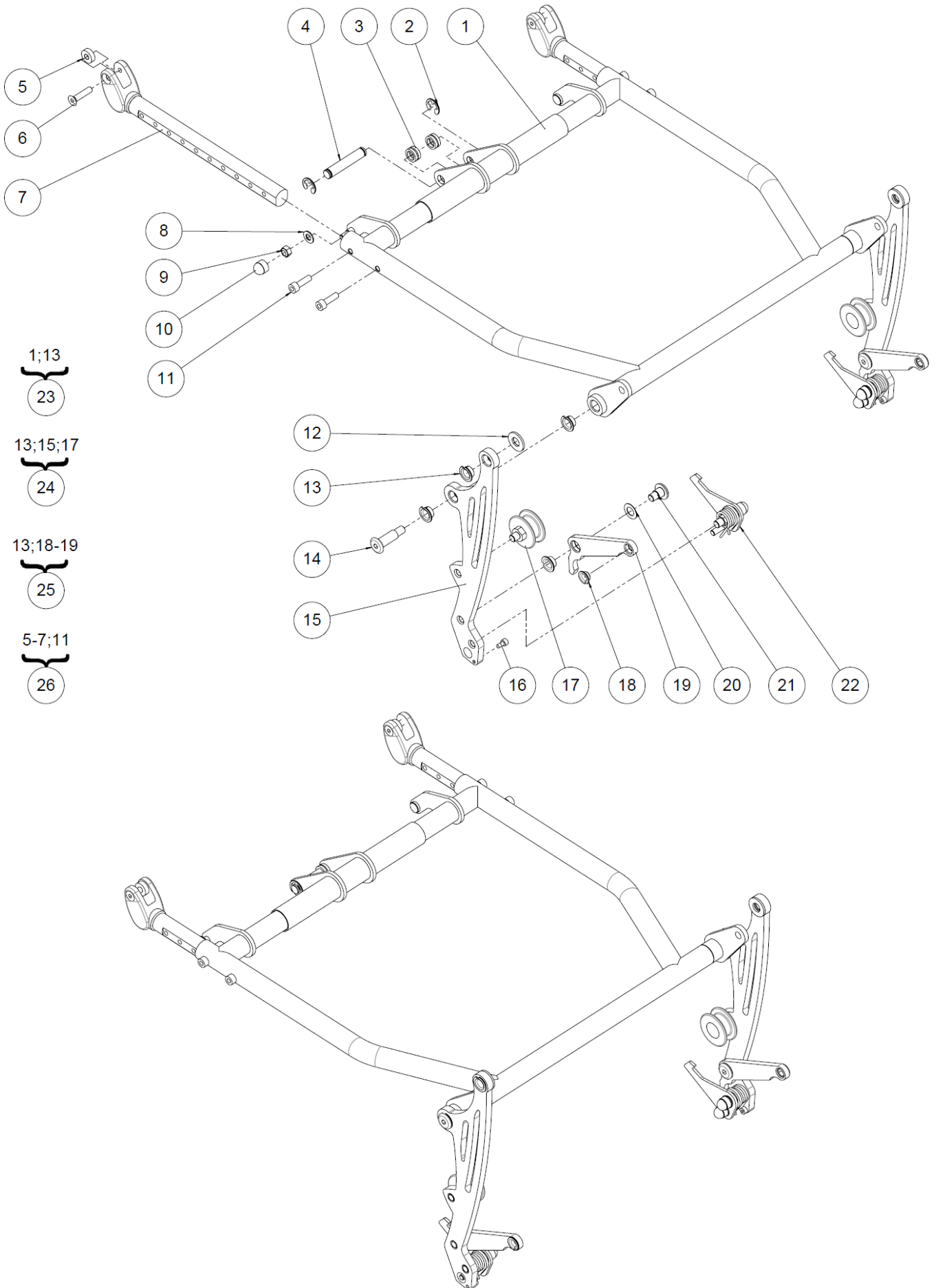
Seat assembly

Upper seat assembly

## Upper seat assembly

Pos	Qty	Stock Code	Description En	Description Fr	Remark
1	1	<b>L2102X36PN</b> <b>L2102X40PN</b> <b>L2102X44PN</b> <b>L2102X48PN</b>	Upper seat frame size 36 cm Upper seat frame size 40 cm Upper seat frame size 44 cm Upper seat frame size 48 cm	Assise supérieure taille 36 cm Assise supérieure taille 40 cm Assise supérieure taille 44 cm Assise supérieure taille 48 cm	
2	4	<b>VIS-CHC6X20ZN</b>	Hexagon socket head cap screw M6x20	Vis tête cylindrique M6x20 six pans creux	
3	2		Seat depth runner tube	Coulisseau d'assise	NOT FOR SALE L2106XXXAI
4	2	<b>L2108XXXZN</b>	Screw M6x27	Vis coulisseau M6x27	
5	2	<b>VIS-CHC6X30ZN</b>	Hexagon socket head cap screw M6x30	Vis tête cylindrique M6x30 six pans creux	
6	2	<b>321235</b>	Bracket adjustment Lg250mm	Rail UNITRACK Lg250mm	
7	2	<b>VIS-CHC6X40ZN</b>	Hexagon socket head cap screw M6x40	Vis tête cylindrique M6x40 six pans creux	
8	4	<b>315427</b>	Plastic plug 11x40mm	Embout plastique 11x40mm	
9	6	<b>L0002221AI</b>	Concave washer for tube Ø22,1mm	Coupelle pour tube Ø22,1mm	
10	4	<b>L0007100FO</b>	Collar bearing Ø10xØ12x7mm	Coussinet à collerette Ø10xØ12x7mm	
11	2		Upper seat tube lug	Tenon assise supérieure	NOT FOR SALE L2104XXXFO
12	2	<b>L1226XXXFO</b>	Long seat axle	Pivot d'assise long	
13	2	<b>VIS-CBHC6X16ZN</b>	Hexagon socket button head screw M6X16	Vis tête bombée M6x16 six pans creux	
14	2	<b>RON-M6ZN</b>	Plain washer Ø6	Rondelle plate M Ø6	
15	2	<b>ECR-HFR6ZN</b>	Prevailing torque type hexagon nut M6	Ecrou frein M6	
16	2	<b>C0215XXXFO</b>	Nut cap M6	Cache écrou M6	
17	2	<b>322839</b>	Kit upper seat depth runner tube	Kit coulisseau d'assise supérieure	
18	2	<b>322838</b>	Kit upper seat lug	Kit tenon d'assise supérieure	
19	1	<b>322175</b>	Kit UNITRACK (pair)	Kit rail UNITRACK (paire)	
20	1	<b>323350</b> <b>323351</b> <b>323352</b> <b>323353</b>	Kit upper seat size 36 cm Kit upper seat size 40 cm Kit upper seat size 44 cm Kit upper seat size 48 cm	Kit assise supérieure taille 36 cm Kit assise supérieure taille 40 cm Kit assise supérieure taille 44 cm Kit assise supérieure taille 48 cm	

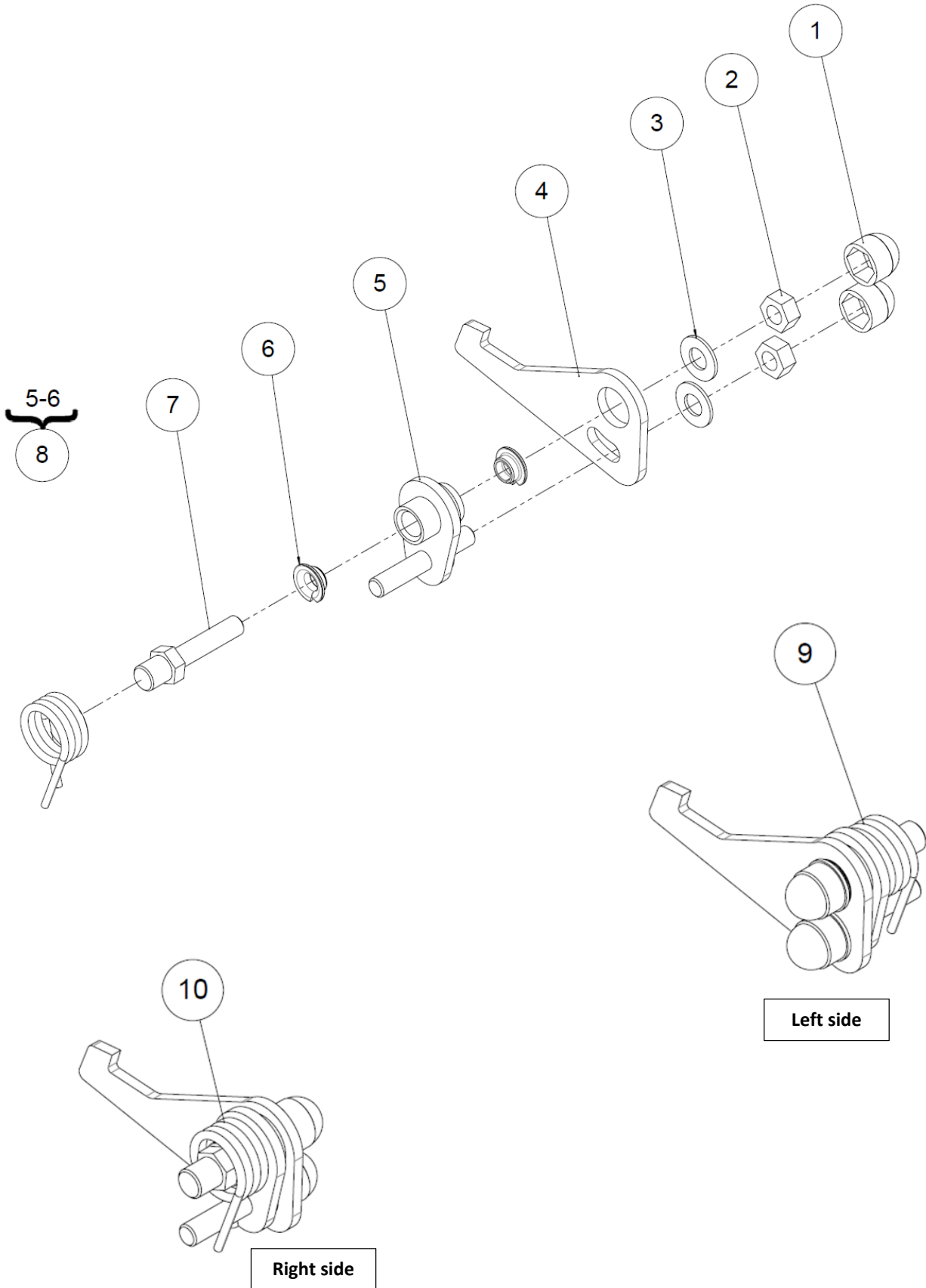








## Lower seat assembly

Pos	Qty	Stock Code	Description En	Description Fr	Remark
1	1		Lower seat size 36 cm	Assise inférieure taille 36 cm	NOT FOR SALE L1201X36FO
			Lower seat size 40 cm	Assise inférieure taille 40 cm	NOT FOR SALE L1201X40FO
			Lower seat size 44 cm	Assise inférieure taille 44 cm	NOT FOR SALE L1201X44FO
			Lower seat size 48 cm	Assise inférieure taille 48 cm	NOT FOR SALE L1201X48FO
2	2	<b>ANN-RAD10RENFO</b>	E-type reinforced ring Ø10	Anneau E radial Ø10 renforcé	
3	4	<b>RON-M10EPAI-PLAS</b>	Spacer Ø10.3xØ15x3mm	Entretoise Ø10.3xØ15x3mm	
4	1	<b>C1008XXXCR</b>	Axle Ø10mm	Axe Ø10mm	
5	2	<b>L0123XXXFO</b>	Spacer Ø6,2xØ15x5mm	Entretoise Ø6,2xØ15x5mm	
6	2	<b>L2108XXXZN</b>	Screw M6x27	Vis coulisseau M6x27	
7	2		Seat depth runner tube	Coulisseau d'assise	NOT FOR SALE L2106XXXAI
8	2	<b>RON-M6ZN</b>	Plain washer Ø6	Rondelle plate M Ø6	
9	2	<b>ECR-HFR6ZN</b>	Prevailing torque type hexagon nut M6	Ecrou frein M6	
10	2	<b>C0215XXXFO</b>	Nut cap M6	Cache écrou M6	
11	4	<b>VIS-CHC6X20ZN</b>	Hexagon socket head cap screw M6x20	Vis tête cylindrique M6x20 six pans creux	
12	2	<b>RON-M10ZN</b>	Plain washer Ø10	Rondelle plate M Ø6	
13	8	<b>L0007100FO</b>	Collar bearing Ø10xØ12x7mm	Coussinet à collerette Ø10xØ12x7mm	
14	2	<b>L1211XXXFO</b>	Lower seat axle	Pivot d'assise inférieure	
15	2		Trigger	Balancier	NOT FOR SALE L1204XXXFO
16	2	<b>VIS-CHC4X8ZN</b>	Hexagon socket head cap screw M4x8	Vis tête cylindrique M4x6 six pans creux	
17	2	<b>L1225XXXFO</b>	Fixing pulley for sandow	Pion pour sandow	
18	2	<b>L0007080FO</b>	Collar bearing Ø8xØ10x5,5mm	Coussinet à collerette Ø8xØ10x5,5mm	
19	2		Legrest rod	Biellette de jambier	NOT FOR SALE L1203XXXFO
20	2	<b>RON-Z10FINEPLAS</b>	Nylon washer Ø10,2x18x0,5mm	Rondelle plate nylon Ø10,2x18x0,5mm	
21	2	<b>L1213XXXFO</b>	Axle	Axe	
22	1		Hook sub assembly	Sous ensemble crochet	See exploded view p.14
23	1	<b>323354</b>	Kit lower seat size 36 cm	Kit assise inférieure taille 36 cm	
		<b>323355</b>	Kit lower seat size 40 cm	Kit assise inférieure taille 40 cm	
		<b>323356</b>	Kit lower seat size 44 cm	Kit assise inférieure taille 44 cm	
		<b>323357</b>	Kit lower seat size 48 cm	Kit assise inférieure taille 48 cm	
24	2	<b>323358</b>	Kit trigger	Kit balancier	
25	2	<b>323359</b>	Kit legrest rod	Kit bielle de jambier	
26	2	<b>322848</b>	Kit lower seat depth runner tube	Kit coulisseau d'assise inférieure	

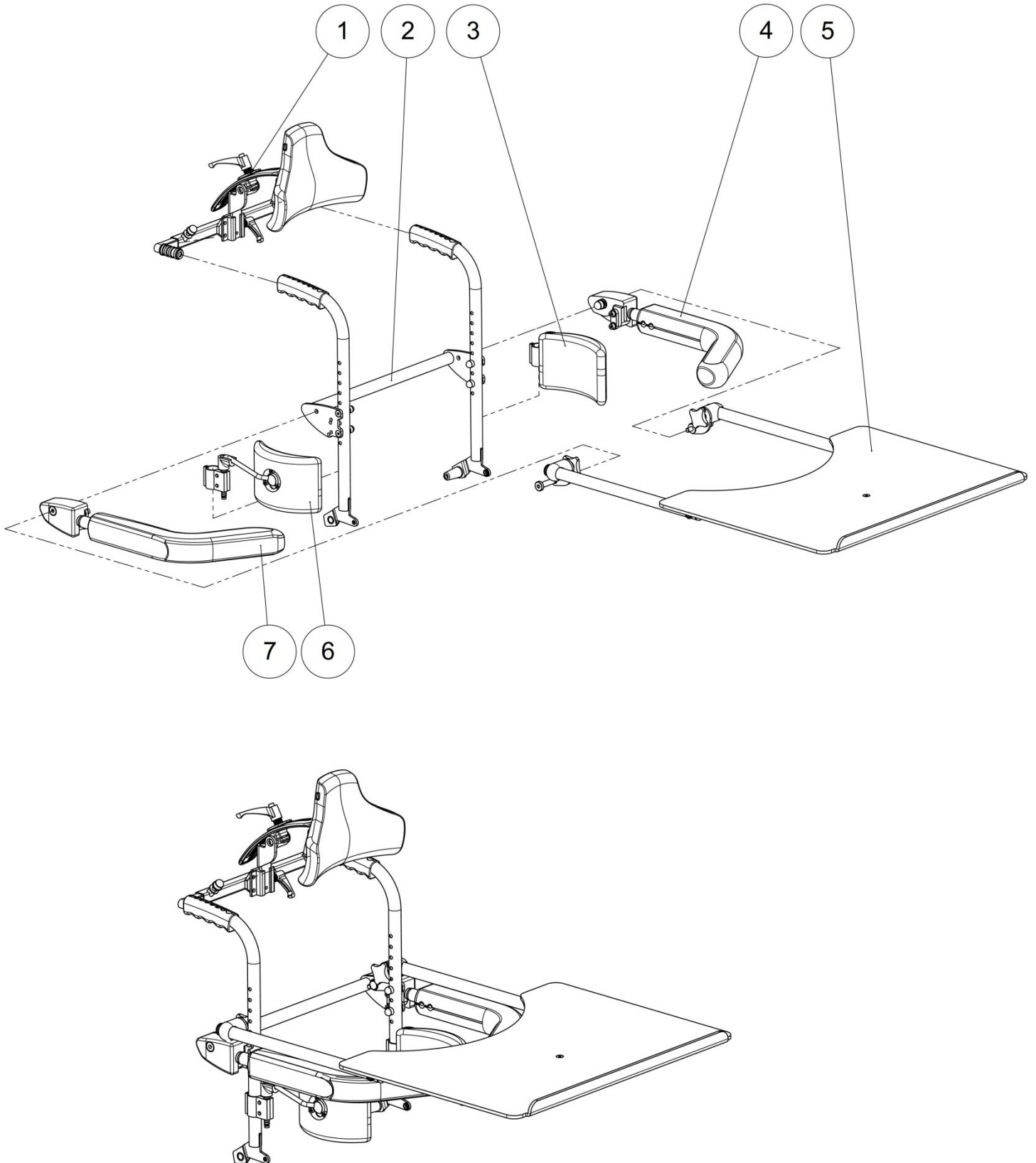


<b>LSR</b>	<b>SPARE PART CATALOG</b>		 
Item N° <b>323237</b>	Revision <b>B</b>	Date <b>29/07/2015</b>	Page <b>15</b> of <b>79</b>
Seat assembly		Hook sub assembly	

### Hook sub assembly

Pos	Qty	Stock Code	Description En	Description Fr	Remark
1	4	<b>C0215XXXFO</b>	Nut cap M6	Cache écrou M6	
2	4	<b>ECR-HFR6ZN</b>	Prevailing torque type hexagon nut M6	Ecrou frein M6	
3	4	<b>RON-M6ZN</b>	Plain washer Ø6	Rondelle plate M Ø6	
4	2	<b>L1206XXXFO</b>	Lock hook	Crochet de verrouillage	
5	2		Lock cam	Came de verrouillage	NOT FOR SALE L1222XXXFO
6	4	<b>L0007060FO</b>	Collar bearing Ø6xØ8x4mm	Coussinet à collerette Ø6xØ8x4mm	
7	2	<b>L1212XXXFO</b>	Lock axle	Axe de verrou	
8	2	<b>323360</b>	Kit lock cam	Kit came de verrouillage	
9	1	<b>L1224XXXFO</b>	Left spring	Ressort gauche	
10	1	<b>L1223XXXFO</b>	Right spring	Ressort droit	

Backrest

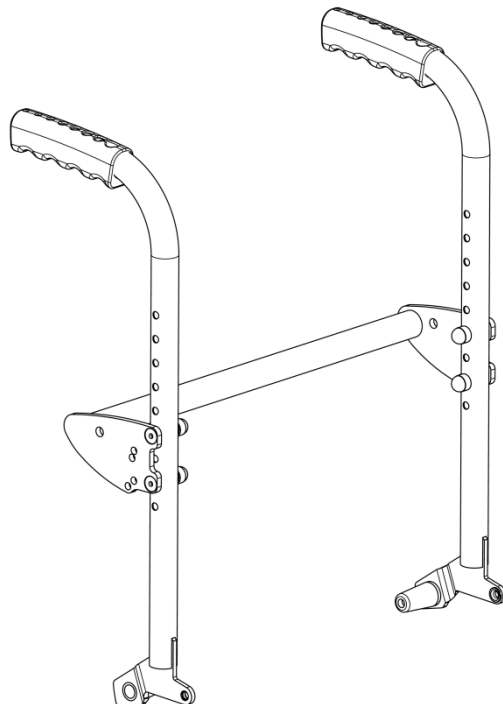
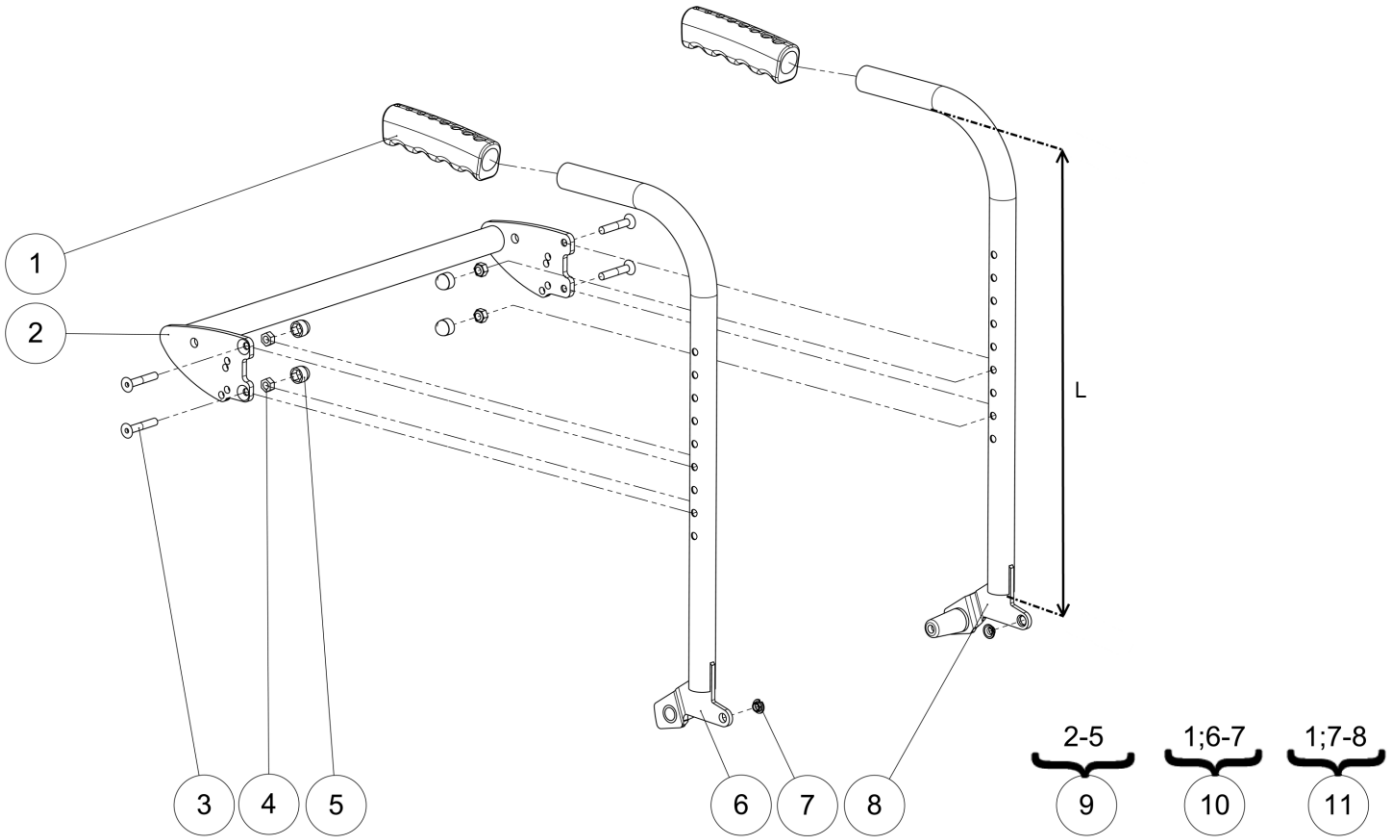




## Backrest

## Backrest

Pos	Qty	Stock Code	Description En	Description Fr	Remark
1	1		Headrest	Appuis tête	See exploded view p.22
2	1		Backrest tubes	Tubes dossier	See exploded view p.18
3	1		Trunk support left	Cale tronc gauche	See exploded view p.26
4	1		Left armrest	Accoudoir gauche	See exploded view p.20
5	1		Worktable	Table de travail	See exploded view p.24
6	1		Trunk support right	Cale tronc droit	See exploded view p.26
7	1		Right armrest	Accoudoir droit	See exploded view p.20



Backrest

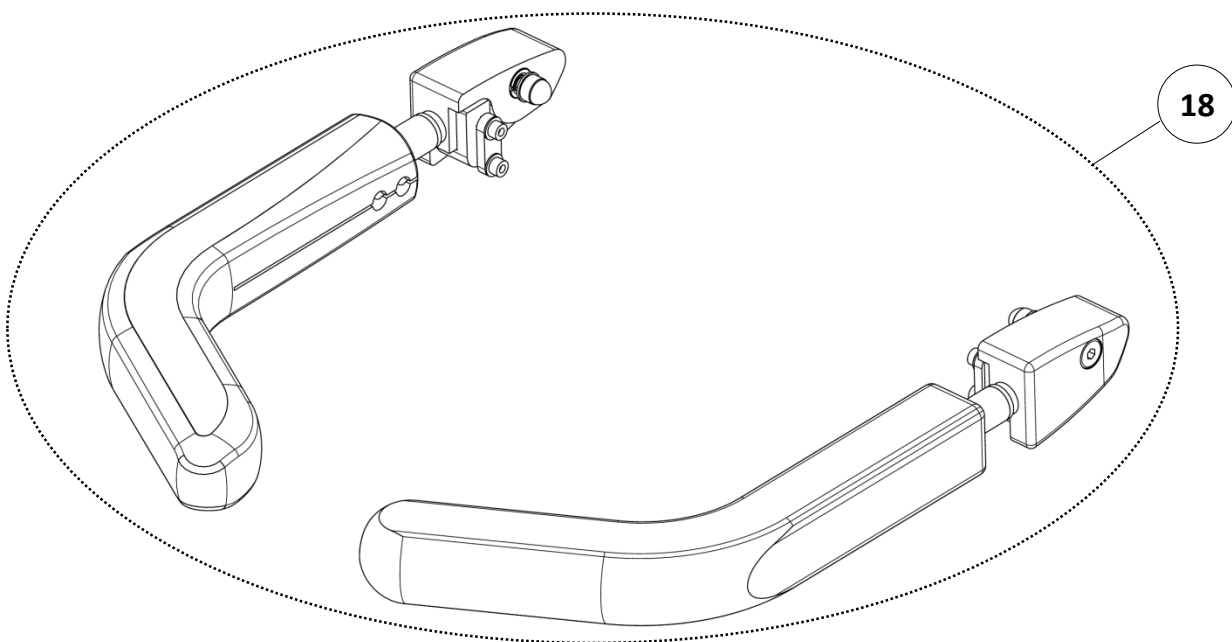
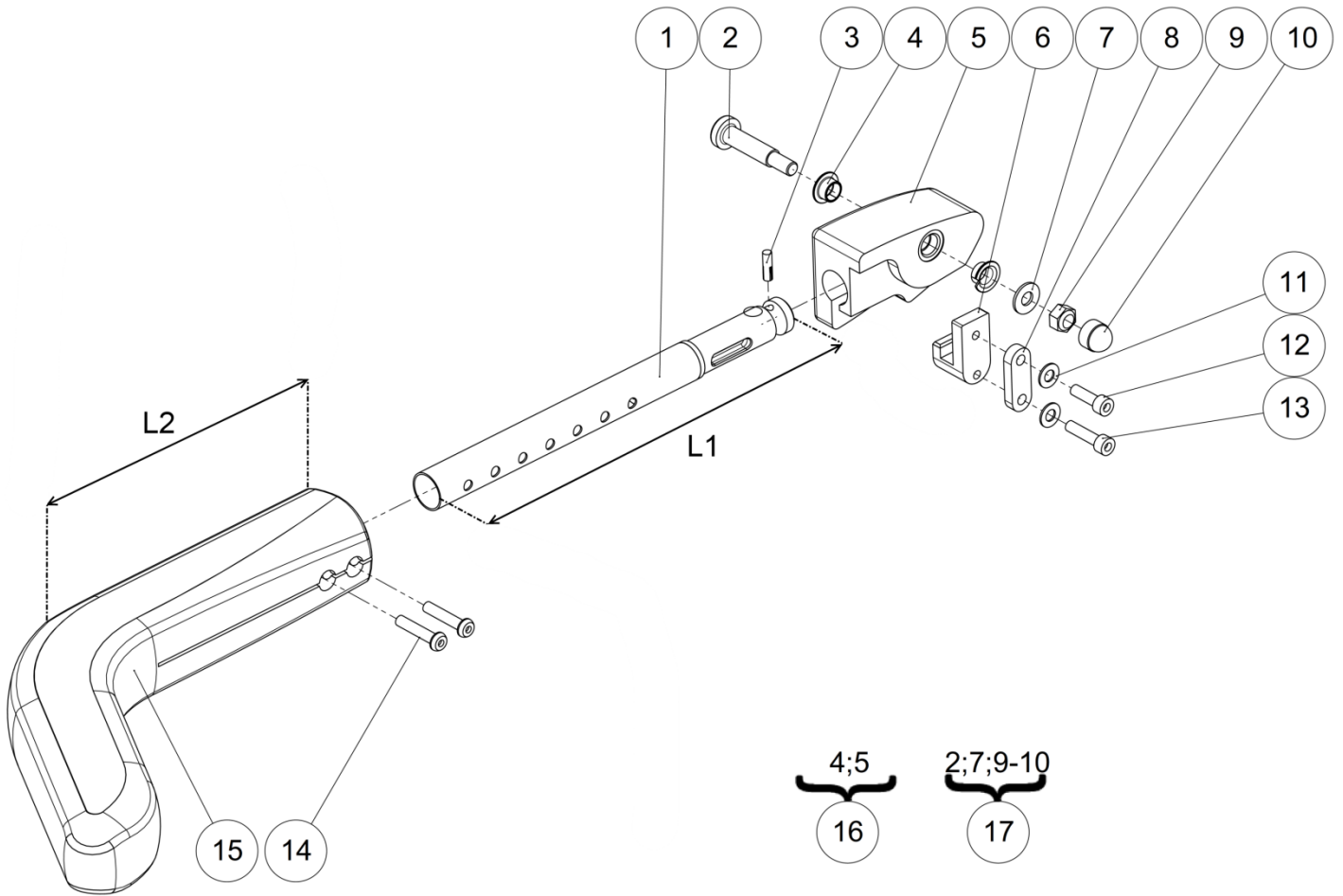
Backrest tubes

## Backrest Tubes

Pos	Qty	Stock Code	Description En	Description Fr	Remark
1	2	<b>L4004ERGFO</b>	Ergonomic handles	Poignées ergonomiques	
2	1	<b>L4157X36PN</b>	Backrest cross tube size 36 cm	Traverse dossier taille 36 cm	
		<b>L4157X40PN</b>	Backrest cross tube size 40 cm	Traverse dossier taille 40 cm	
		<b>L4157X44PN</b>	Backrest cross tube size 44 cm	Traverse dossier taille 44 cm	
		<b>L4157X48PN</b>	Backrest cross tube size 48 cm	Traverse dossier taille 48 cm	
3	4	<b>VIS-FHC6X35ZN</b>	Hexagon socket countersunk head screw M6x35	Vis tête fraisée M6x35 six pans creux	
4	4	<b>ECR-HFR6ZN</b>	Prevailing torque type hexagon nut M6	Ecrou frein M6	
5	4	<b>C0215XXXFO</b>	Nut cap M6	Cache écrou M6	
6	1		Long right backrest tube	Montant dossier long droit	NOT FOR SALE L4102RREP L= 52 cm
			Right backrest tube	Montant dossier droit	NOT FOR SALE L4102RXXP L= 40 cm
			Short right backrest tube	Montant dossier court droit	NOT FOR SALE L4102RCOP L= 32 cm
7	2	<b>L0007060FO</b>	Collar bearing $\varnothing 6 \times \varnothing 8 \times 4$ mm	Coussinet à collerette $\varnothing 6 \times \varnothing 8 \times 4$ mm	
8	1		Long left backrest tube	Montant dossier long gauche	NOT FOR SALE L4102LREP L= 52 cm
			Left backrest tube	Montant dossier gauche	NOT FOR SALE L4102LXXP L= 40 cm
			Short left backrest tube	Montant dossier court gauche	NOT FOR SALE L4102LCOP L= 32 cm
9	1	<b>322850</b>	Kit backrest crosstube size 36 cm	Kit traverse de dossier taille 36 cm	
		<b>322851</b>	Kit backrest crosstube size 40 cm	Kit traverse de dossier taille 40 cm	
		<b>322852</b>	Kit backrest crosstube size 44 cm	Kit traverse de dossier taille 44 cm	
		<b>322853</b>	Kit backrest crosstube size 48 cm	Kit traverse de dossier taille 48 cm	
10	1	<b>322856</b>	Kit long right backrest tube	Kit montant dossier long droit	L= 52 cm
		<b>322854</b>	Kit right backrest tube	Kit montant dossier droit	L= 40 cm
		<b>322855</b>	Kit short right backrest tube	Kit montant dossier court droit	L= 32 cm
11	1	<b>322859</b>	Kit long left backrest tube	Kit montant dossier long gauche	L= 52 cm
		<b>322857</b>	Kit left backrest tube	Kit montant dossier gauche	L= 40 cm
		<b>322858</b>	Kit short left backrest tube	Kit montant dossier court gauche	L= 32 cm

Backrest

Armrests





Backrest

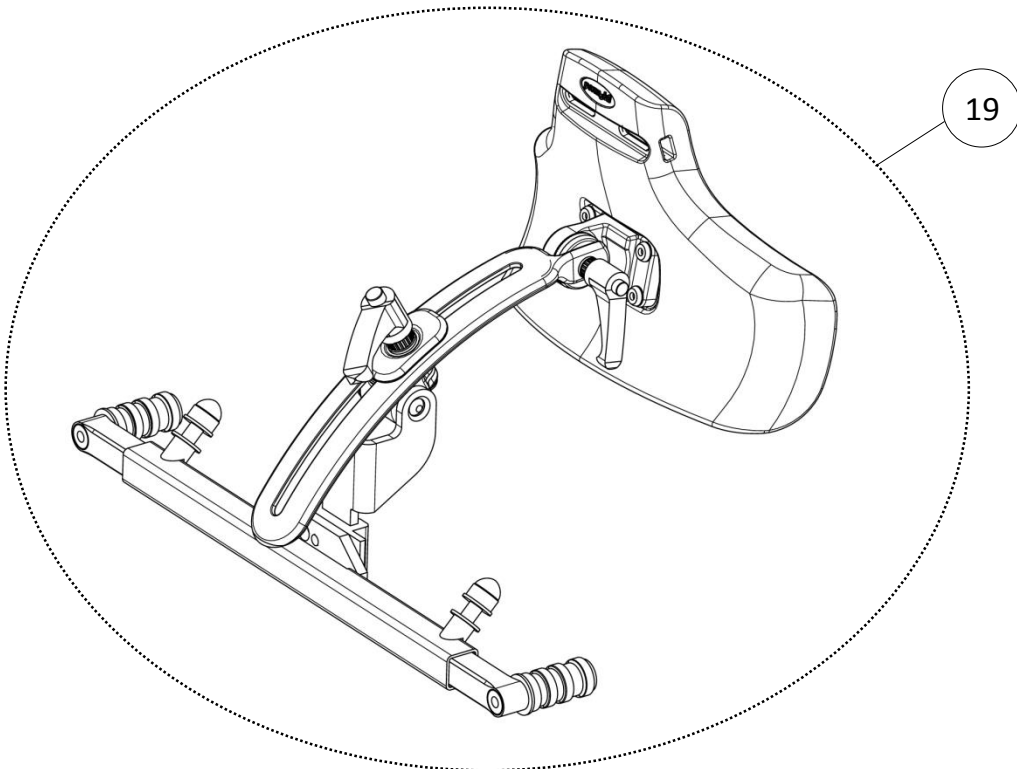
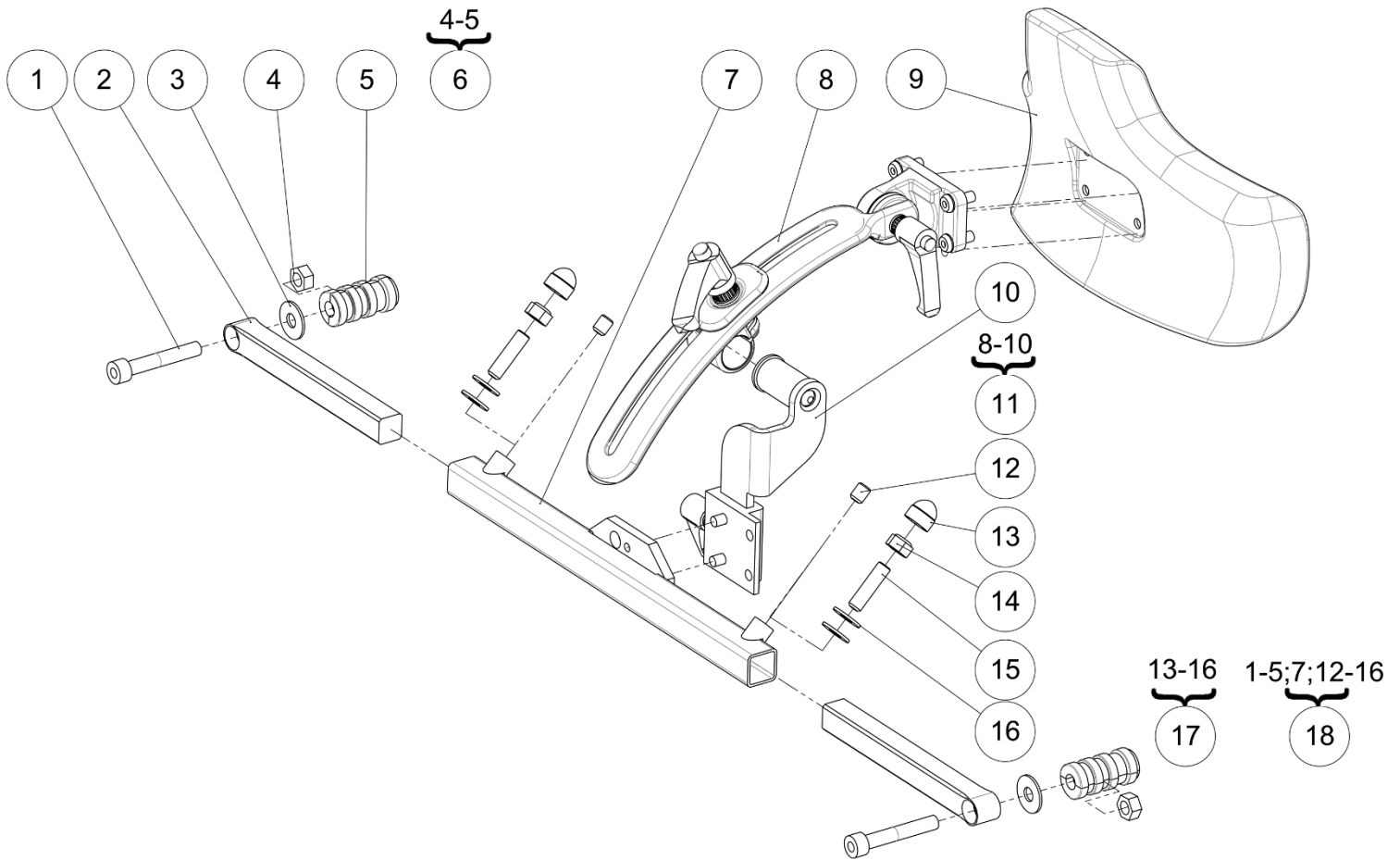
Armrests

## Armrests

Pos	Qty	Stock Code	Description En	Description Fr	Remark
1	1	L4155RXXZN	Right armrest tube	Tube accoudoir droit	L1=260mm
		L4155RSHZN	Right armrest tube short	Tube accoudoir court droit	L1=210mm
	1	L4155LXXZN	Left armrest tube	Tube accoudoir gauche	L1=260mm
		L4155LSHZN	Left armrest tube short	Tube accoudoir court gauche	L1=210mm
2	2	L4153XXXZN	Armrest nut spindle	Axe épaulé accoudoir	
3	1	GOU-CANN5X18BR	Fluted lock pin G06 Ø5x18mm	Goupille cannelée G06 Ø5x18mm	ONLY ON LSR REMOTE SIDE
4	4	L0007100FO	Collar bearing Ø10xØ12x7mm	Coussinet à collerette Ø10xØ12x7mm	
5	1		Right armrest nut	Noix accoudoir droit	NOT FOR SALE L4152RXXAI
	1		Left armrest nut	Noix accoudoir gauche	NOT FOR SALE L4152LXXAI
6	2	L4154XXXZN	Armrest hook	Crochet accoudoir	
7	2	RON-M8ZN	Plain washer Ø8	Rondelle plate M Ø8	
8	2	L4156XXXPN	Armrest catch	Taquet accoudoir	
9	2	ECR-HFR8ZN	Prevailing torque type hexagon nut M8	Ecrou frein M8	
10	2	C0214XXXFO	Nut cap M8	Cache écrou M8	
11	4	RON-M6ZN	Plain washer Ø6	Rondelle plate M Ø6	
12	2	VIS-CHC6X20ZN	Hexagon socket head cap screw M6x20	Vis tête cylindrique M6x20 six pans creux	
13	2	VIS-CHC6X25ZN	Hexagon socket head cap screw M6x25	Vis tête cylindrique M6x25 six pans creux	
14	4	VIS-CBHC6X30ZN	Hexagon socket button head screw M6x30	Vis tête bombée M6x30 six pans creux	
15	2	L4060XSHFO	Short armrest chest support	Accoudoir appui pectoral court	L2=150mm
		L4060XXXFO	Long armrest chest support	Accoudoir appui pectoral long	L2=200mm
16	1	322860	Kit right armrest nut	Kit noix accoudoir droit	
	1	322861	Kit left armrest nut	Kit noix accoudoir gauche	
17	2	322864	Kit fixation armrest (unit)	Kit de fixation accoudoir (l'unité)	
18	1	L4160XSHMONTE	Kit short armrests (pair)	Kit accoudoirs courts (paire)	L1=210mm L2=150mm
		L4160STDMONTE	Kit long armrests (pair)	Kit accoudoirs longs (paire)	L1=260mm L2=200mm

Backrest

Headrest





Backrest

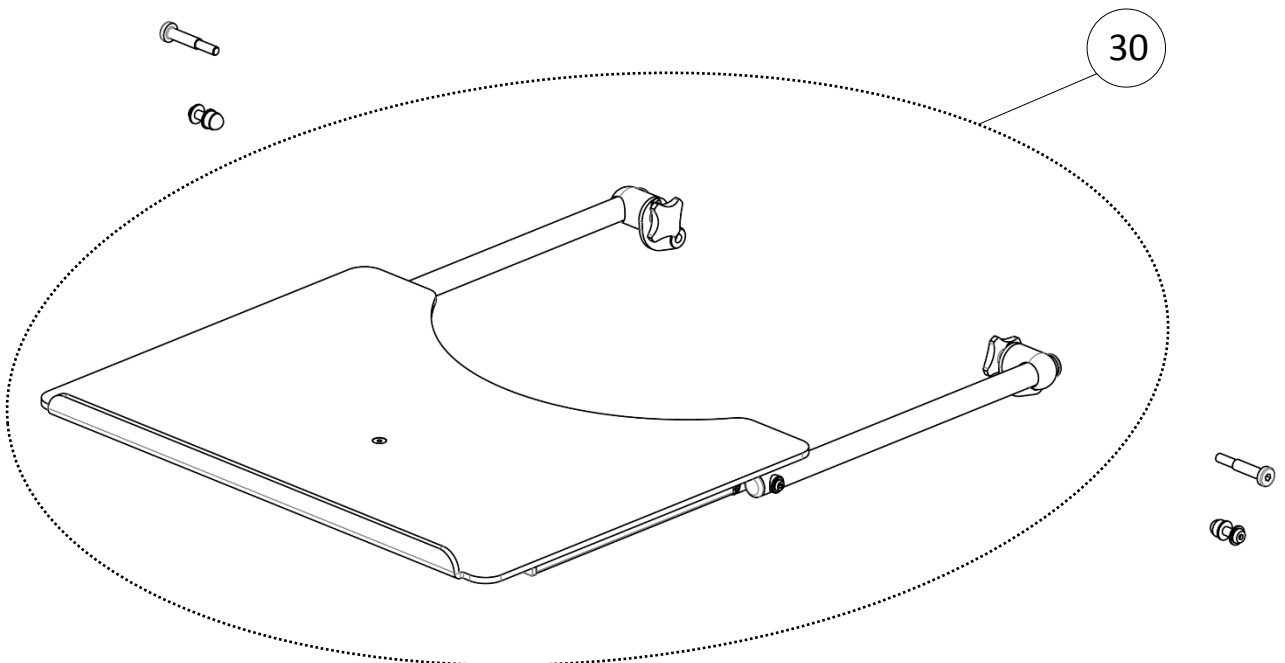
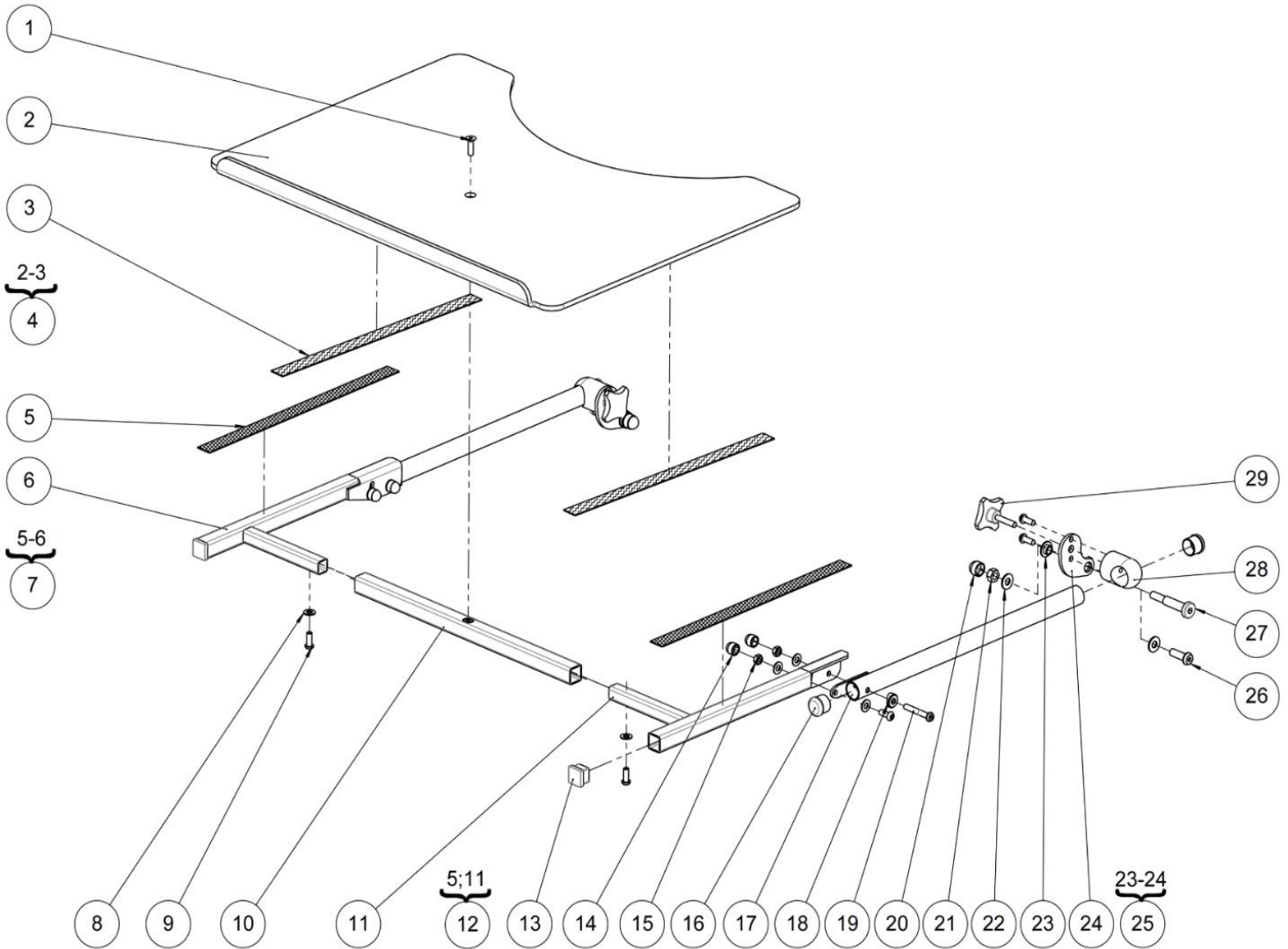
Headrest

## Headrest

Pos	Qty	Stock Code	Description En	Description Fr	Remark
1	2	<b>VIS-CHC8X50ZN</b>	Hexagon socket head cap screw M8x50	Vis tête cylindrique M8x50 six pans creux	
2	2	<b>L9037XXXAI</b>	Adjustment rod	Barre réglage appui-tête	
3	2	<b>RON-LL8ZN</b>	Fender washer Ø8	Rondelle plate LL Ø8	
4	2	<b>ECR-H8ZN</b>	Hexagon nut M8	Ecrou M8	
5	2		Casing Ø20	Douille expansive Ø20	NOT FOR SALE L9038XXXFO
6	2	<b>322865</b>	Kit casing	Kit douille expansive	For one side
7	1	<b>L9039XXXPN</b>	Headrest crossbar	Traverse appui-tête universelle	
8	1	<b>P1823234</b>	Head support bracket	Fixation appui-tête	
9	1	<b>P1822868</b>	Headrest cushion	Coussin appui-tête	
10	1	<b>P1823235</b>	Head support bracket backrest	Fixation appui-tête dossier	
11	1	<b>322866</b>	Kit headrest	Kit appui-tête	
12	2	<b>VIS-HC8X10ZN</b>	Hexagon socket set screw M8x10	Vis sans tête M8x10 six pans creux	
13	2	<b>C0214XXXFO</b>	Nut cap M8	Cache écrou M8	
14	2	<b>ECR-HFR8ZN</b>	Prevailing torque type hexagon nut M8	Ecrou frein M8	
15	2	<b>VIS-HC8X30ZN</b>	Hexagon socket set screw M8x30	Vis sans tête M8x30 six pans creux	
16	4	<b>RON-M8ZN</b>	Plain washer Ø8	Rondelle plate M Ø8	
17	1	<b>L9026XXXFO</b>	Kit harness fixation (pair)	Kit fixation harnais (paire)	
18	1	<b>L9029XXXFO</b>	Kit headrest support and harness fixation	Kit support appui-tête et fixation harnais	
19	1	<b>L9028XXXFO</b>	Kit headrest	Kit appui-tête	

Backrest

Worktable



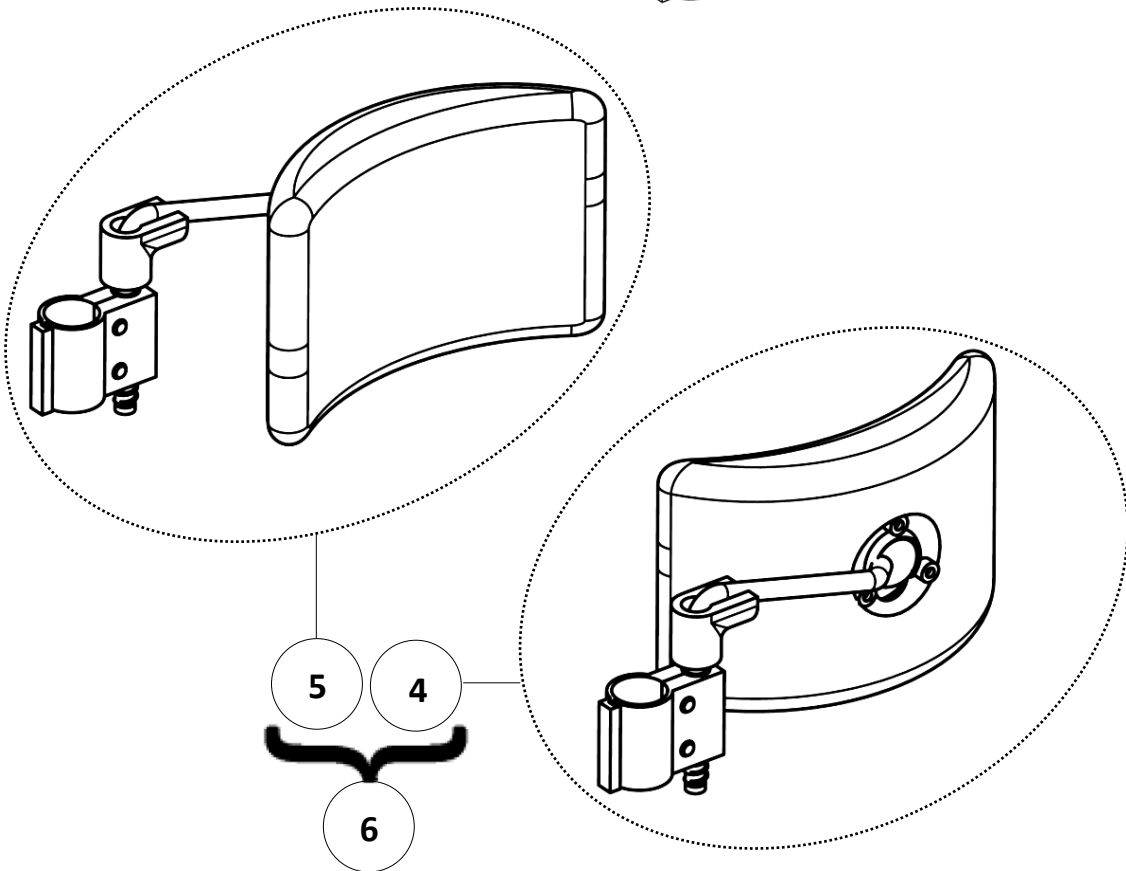
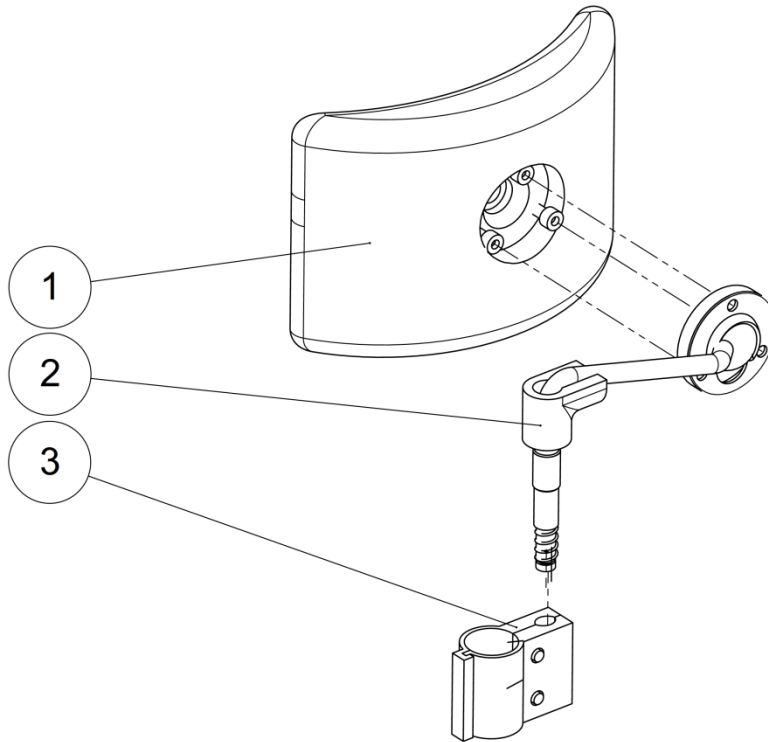


## Worktable

Pos	Qty	Stock Code	Description En	Description Fr	Remark
1	1	<b>VIS-FHC6X20ZN</b>	Hexagon socket countersunk head screw M6x20	Vis tête fraisée M6x20 six pans creux	
2	1		Tray Table	Tablette	NOT FOR SALE L9001XXXFO
3	0.04		Black Velcro strap sticker 2cm-0.7" hook 20m long	Velcro adhésif crochet noir 2cm de 20m de long	NOT FOR SALE L6050CROFO
4	1	<b>322945</b>	Kit tray table + velcro	Kit tablette + Velcro	Specify wheelchair size
5	0.04		Black Velcro strap sticker 2cm-0.7" velvet 20m long	Velcro adhésif velours noir 2cm de 20m de long	NOT FOR SALE L6050VELFO
6	1		Right support tube tray	Tube appui tablette droit	NOT FOR SALE L9002RXXCR
7	1	<b>322943</b>	Kit support tube + velcro right	Kit tube support + velcro droit	
8	8	<b>RON-M6ZN</b>	Plain washer Ø6	Rondelle plate M Ø6	
9	8	<b>VIS-CBHC6X16ZN</b>	Hexagon socket button head screw M6x16	Vis tête bombée M6x16 six pans creux	
10	1	<b>L9004XXXPN</b>	Tray support joint tube	Traverse sous tablette	
11	1		Left support tube tray	Tube appui tablette gauche	NOT FOR SALE L9002LXXCR
12	1	<b>322944</b>	Kit support tube + velcro left	Kit tube support + velcro gauche	
13	2	<b>L0002020FO</b>	Black cap for tube 20x20mm	Bouchon plastique noir 20x20mm	
14	4	<b>C0215XXXFO</b>	Nut cap M6	Cache écrou M6	
15	4	<b>ECR-HFR6ZN</b>	Prevailing torque type hexagon nut M6	Ecrou frein M6	
16	2	<b>L0005221FO</b>	Black cap for tube Ø22.1mm	Bouchon plastique noir pour tube	
17	2	<b>L9003XXXCR</b>	Depth adjustment tube	Tube de réglage	
18	2	<b>L0002221AI</b>	Concave washer for tube Ø22.1mm	Coupelle pour tube Ø22.1mm	
19	2	<b>VIS-CBHC6X40ZN</b>	Hexagon socket button head screw M6x40	Vis tête bombée M6x40 six pans creux	
20	0-2	<b>C0214XXXFO</b>	Nut cap M8	Cache écrou M8	Without armrests only.
21	0-2	<b>ECR-HFR8ZN</b>	Prevailing torque type hexagon nut M8	Ecrou frein M8	Without armrests only.
22	0-4	<b>RON-M8ZN</b>	Plain washer Ø8	Rondelle plate M Ø8	Without armrests only.
23	2	<b>L9112XXXZN</b>	Tray table spacer	Entretoise pour tablette	
24	2		Tray table support	Support tablette	NOT FOR SALE L9110XXXPN
25	1	<b>322867</b>	Kit tray table bracket left	Kit plaque tablette gauche	
	1	<b>322868</b>	Kit tray table bracket right	Kit plaque tablette droite	
26	0-2	<b>602165</b>	Hexagon socket button head screw M8x25	Vis tête bombée M8x25 six pans creux	Without armrests only.
27	0-2	<b>L9113XXXZN</b>	Special axle	Axe épaulé accouoir	With armrests instead of L4153XXXZN pos.2 p.20.
28	2	<b>L9111XXXAI</b>	Tray table nut	Noix de tablette	
29	2	<b>SX020XXXFO</b>	Adjustment knob M6x30	Poignée trio M6x30	
30	1	<b>L9100XXXFO</b>	Kit complete tray set	Kit tablette	Specify wheelchair size.

Backrest

Trunk support





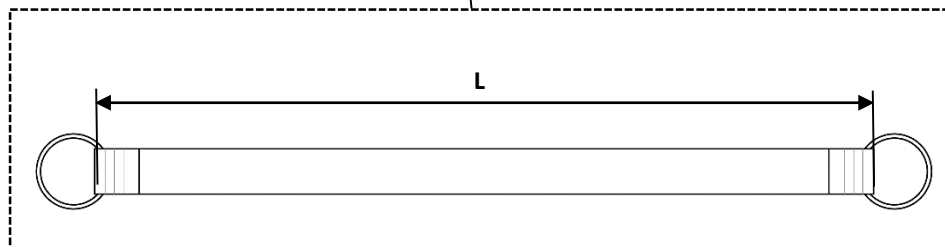
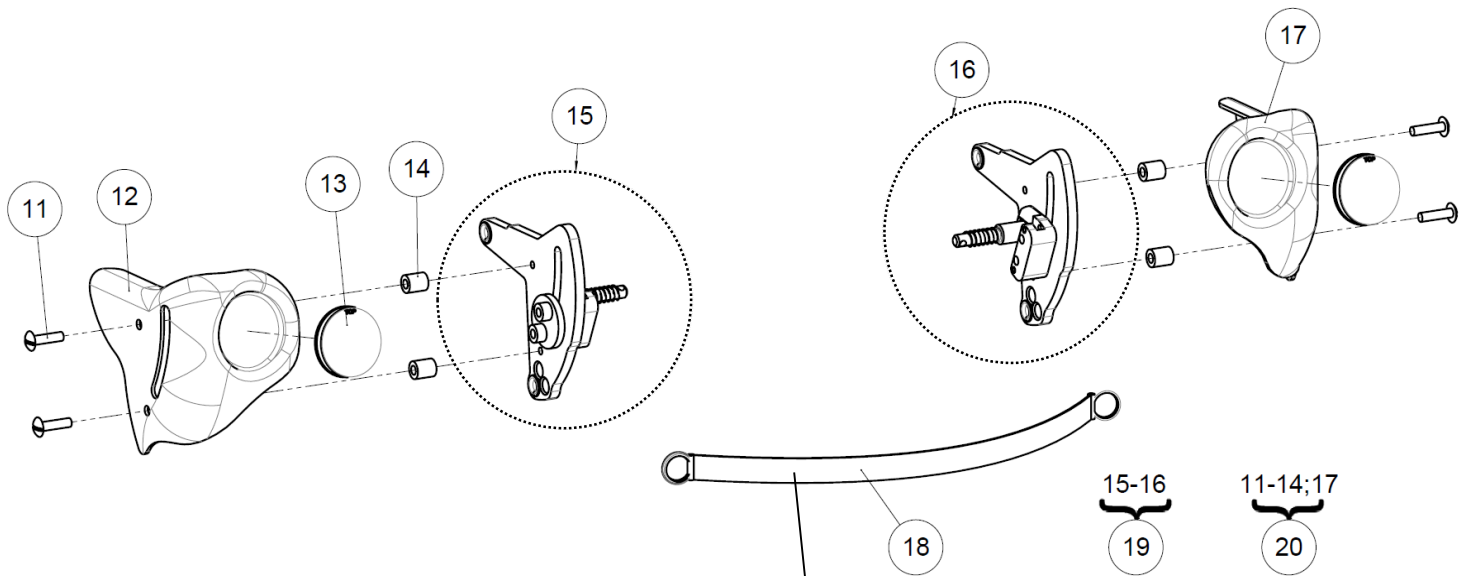
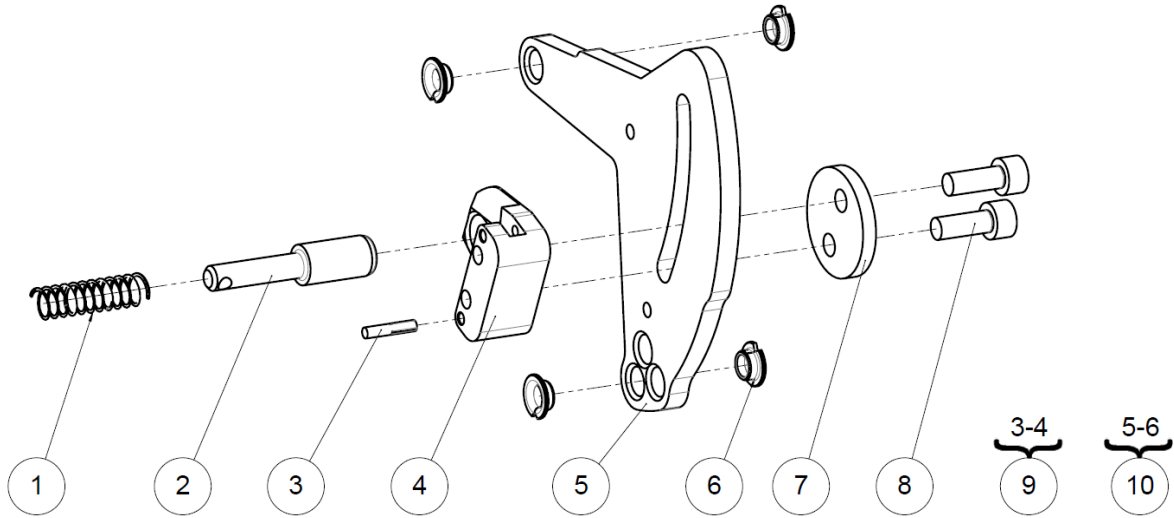
Backrest

Trunk support

## Trunk support

Pos	Qty	Stock Code	Description En	Description Fr	Remark
1	2	L9070XXXFO	Thoracic support cushion	Coussin soutien thoracique	
2	1	L9071RXXFO	Right trunk support	Support cale tronc droit	
	1	L9071LXXFO	Left trunk support	Support cale tronc gauche	
3	2	L9074XXXFO	Fixing tube Ø22.2mm for trunk support	Bride de fixation tube Ø22.2mm cale tronc	
4	1	L9079RXXFO	Kit trunk support right	Kit cale tronc droit	
5	1	L9079LXXFO	Kit trunk support left	Kit cale tronc gauche	
6	1	L9079XXXFO	Kit trunk support (pair)	Kit cale tronc (paire)	

Side hub



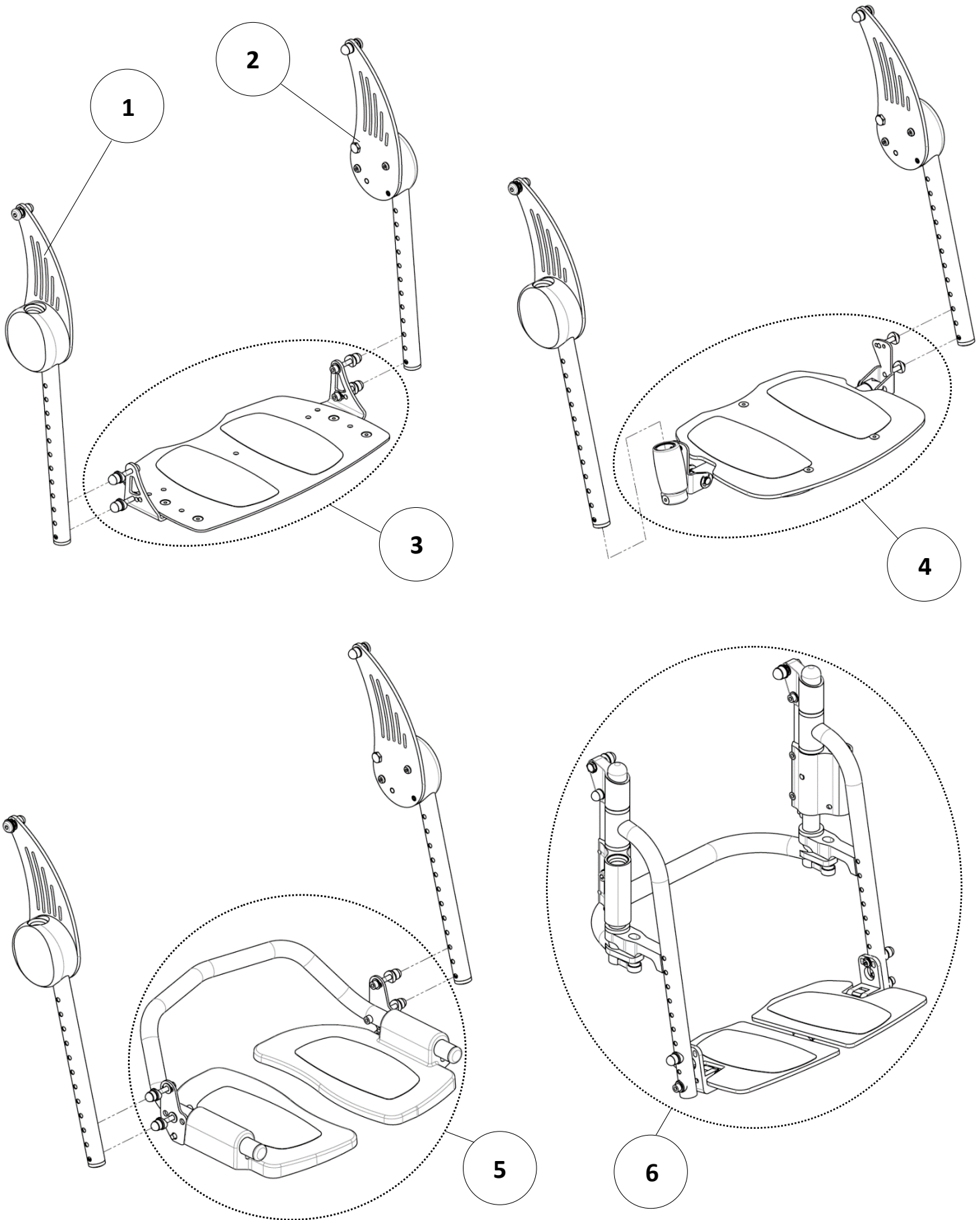


## Side hub

## Side hub

Pos	Qty	Stock Code	Description En	Description Fr	Remark
1	2	<b>A4009XXXFO</b>	Backrest spring Ø8	Ressort de dossier Ø8	
2	2	<b>L1106XXXZN</b>	Backrest lock spindle	Axe verrouillage dossier	
3	2	<b>GOU-CANN3X16BR</b>	Fluted lock pin G02 Ø3x16mm	Goupille cannelée G02 Ø3x16mm	
4	2		Backrest locking block	Bloc verrou dossier	NOT FOR SALE L4108XXXZN
5	2		Backrest plate	Joue pour dossier	NOT FOR SALE L1101XXXAI
6	8	<b>L0007060FO</b>	Collar bearing Ø6xØ8x4mm	Coussinet à collerette Ø6xØ8x4mm	
7	2	<b>L4109XXXPN</b>	Locking plate backrest	Plaquette verrou dossier	
8	4	<b>VIS-CHC6X16ZN</b>	Hexagon socket head cap screw M6x16	Vis tête cylindrique M6x16 six pans creux	
9	1	<b>322870</b>	Kit backrest blocking spindle left	Kit bloc de verrouillage gauche	
	1	<b>322871</b>	Kit backrest blocking spindle right	Kit bloc de verrouillage droit	
10	2	<b>322869</b>	Kit side hub bracket	Kit plaque articulation dossier	
11	4	<b>614170</b>	Black plastic screw M5x20	Vis plastique noire M5x20	
12	1	<b>321266</b>	Cover backrest left	Cache de dossier gauche	
13	2	<b>612335</b>	Reflector red	Catadioptré rouge	
14	4	<b>614171</b>	Tubular spacer Ø5,2xØ10x12mm	Entretoise tubulaire Ø5,2xØ10x12mm	
15	1	<b>322872</b>	Kit backrest hub left	Kit articulation de dossier gauche	
16	1	<b>322873</b>	Kit backrest hub right	Kit articulation de dossier droite	
17	1	<b>321265</b>	Cover backrest right	Cache de dossier droit	
18	1	<b>L4003X36FO</b>	Backrest cord size 36 cm	Cordelette dossier taille 36 cm	L=260 mm
		<b>L4003X40FO</b>	Backrest cord size 40 cm	Cordelette dossier taille 40 cm	L=300 mm
		<b>L4003X44FO</b>	Backrest cord size 44 cm	Cordelette dossier taille 40 cm	L=340 mm
		<b>L4003X48FO</b>	Backrest cord size 48 cm	Cordelette dossier taille 48 cm	L=380 mm
19	1	<b>322874</b>	Kit backrest hub (pair)	Kit articulation de dossier (paire)	
20	1	<b>321579</b>	Kit backrest cover (pair)	Kit cache de dossier (paire)	

Legrest



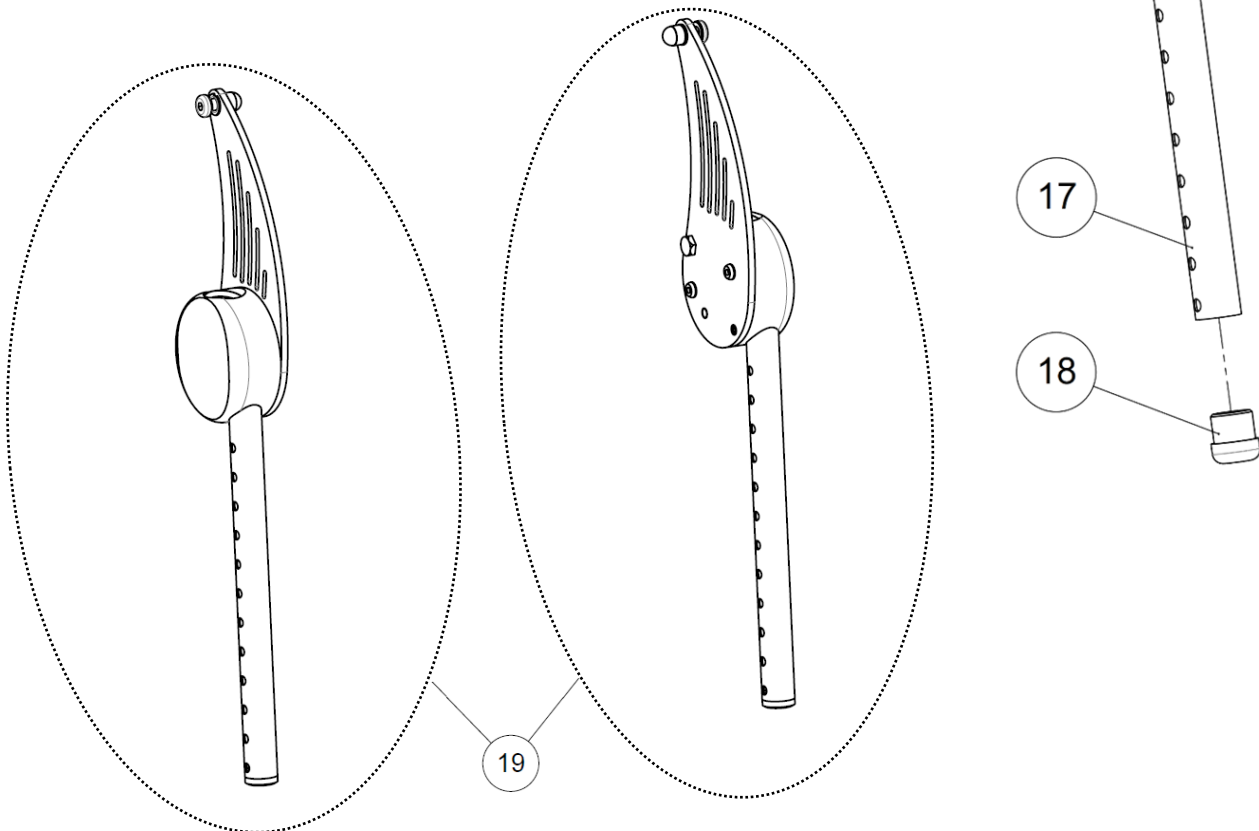
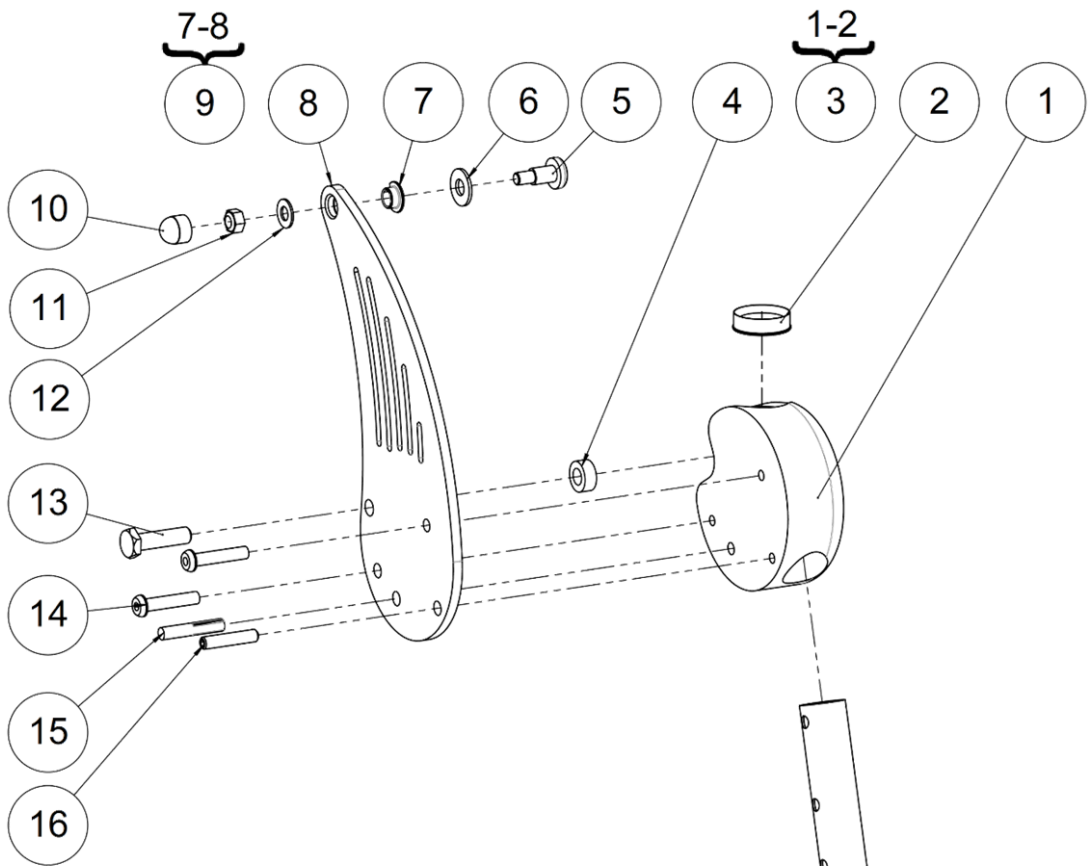
## Legrest

## Legrest

Pos	Qty	Stock Code	Description En	Description Fr	Remark
1	3		Footrest support right	Support jambier droit	See exploded view p.32
2	3		Footrest support left	Support jambier gauche	See exploded view p.32
3	1		Fixed footrest	Palette fixe	See exploded view p.34
4	1		Footrest flip up and fold away	Palette relevable escamotable	See exploded view p.36
5	1		Dual footrest flip up	Bi-palette relevable	See exploded view p.38
6	1		Dual footrest flip up and fold away	Bi-palette relevable escamotable	See exploded view p.40

Legrest

Footrest supports

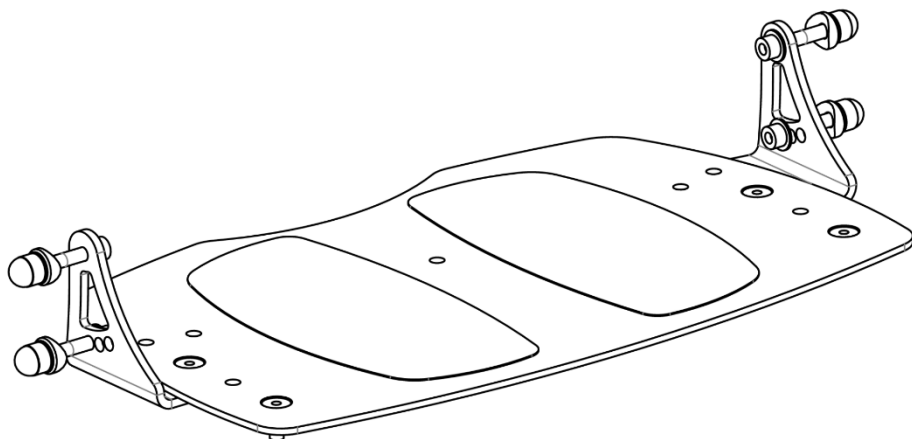
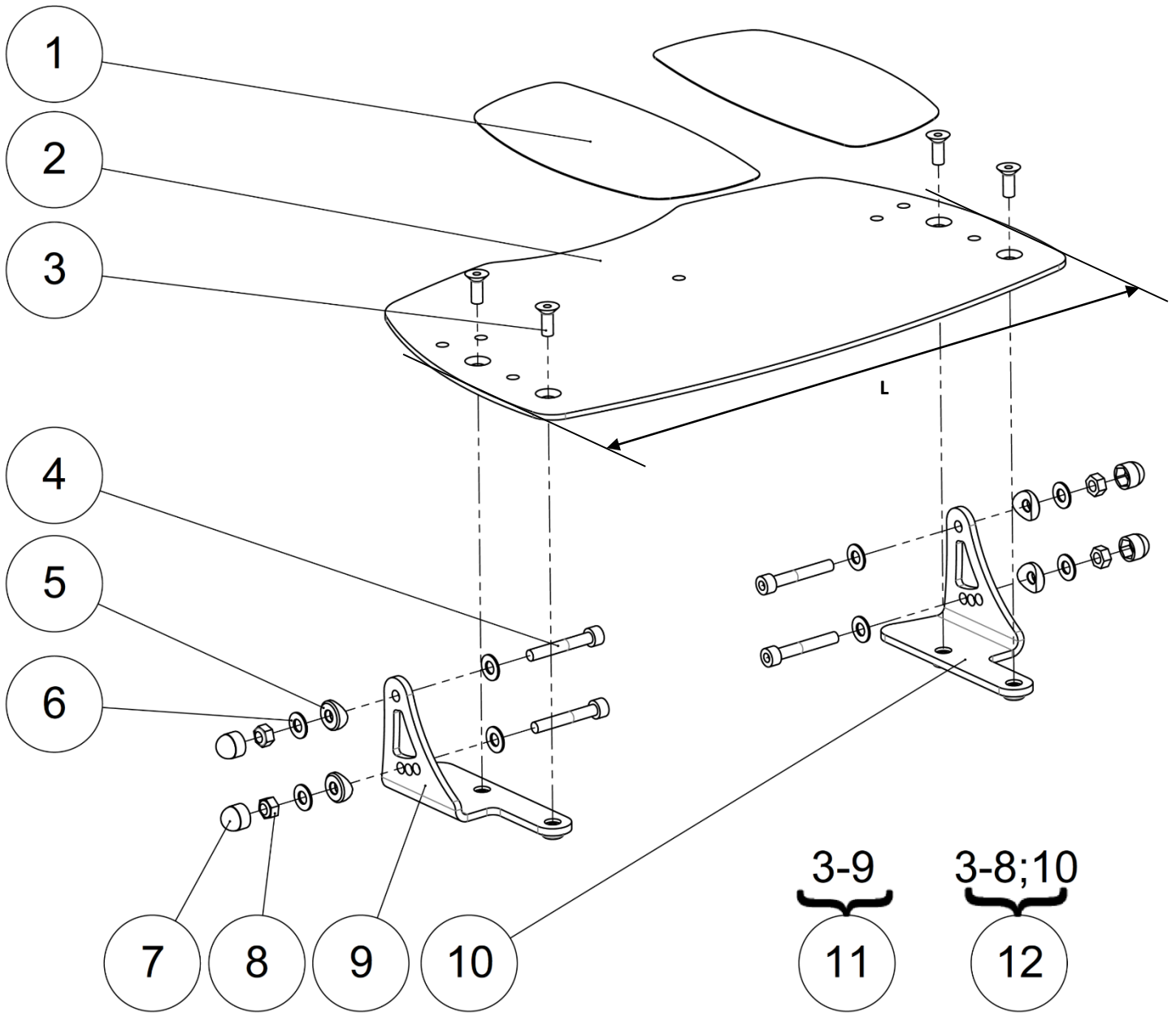


Legrest

Footrest supports

## Footrest supports

Pos	Qty	Stock Code	Description En	Description Fr	Remark
1	1		Left footrest nut	Noix de jambier gauche	NOT FOR SALE
	1		Right footrest nut	Noix de jambier droit	NOT FOR SALE
2	2	L3035XXXFO	Sleeve-guide ring	Bague de guidage fourreau	
3	1	L3121LXXAI	Kit left sleeve footrest support	Kit noix de jambier gauche	
	1	L3121RXXAI	Kit right sleeve footrest support	Kit noix de jambier droit	
4	2	L0116XXXFO	Washer Ø8.2 th.6.3mm	Cale Ø8.2 ép.6.3mm	
5	2	L1214XXXFO	Axle	Axe	
6	2	RON-M8ZN	Plain washer Ø8	Rondelle plate M Ø8	
7	2	L0007080FO	Collar bearing Ø8xØ10x5.5mm	Coussinet a collerette Ø8xØ10x5.5mm	
8	2		Footrest side plate	Joue repose pied	NOT FOR SALE L3120XXXAI
9	1	322875	Kit footrest support bracket right	Kit plaque support palette droit	
	1	322876	Kit footrest support bracket left	Kit plaque support palette gauche	
10	2	C0215XXXFO	Nut cap M6	Cache écrou M6	
11	2	ECR-HFR6ZN	Prevailing torque type hexagon nut M6	Ecrou frein M6	
12	2	RON-M6ZN	Plain washer Ø6	Rondelle plate M Ø6	
13	2	L0117XXXZN	Screw M8-30-11.5	Axe M8-30-11.5	
14	4	VIS-CBHC6X30ZN	Hexagon socket button head screw M6x30	Vis tête bombée M6x30 six pans creux	
15	1	GOU-CANN6X35BR	Fluted lock pin G02 Ø6x35mm	Goupille cannelée G02 Ø6X35mm	Mounted on the left footrest support only
16	2	VIS-HC6X30ZN	Hexagon socket set screw M6x30	Vis sans tête M6x30 six pans creux	
17	2	L3106XXXPN	Footrest tube	Montant repose pied	
18	2	L0006195FO	Footrest plug Ø19.5mm + wedge	Tampon RP Ø19.5mm + cheville	
19	1	324125	Kit footrest support LSR (pair)	Kit support jambier LSR (paire)	



Legrest

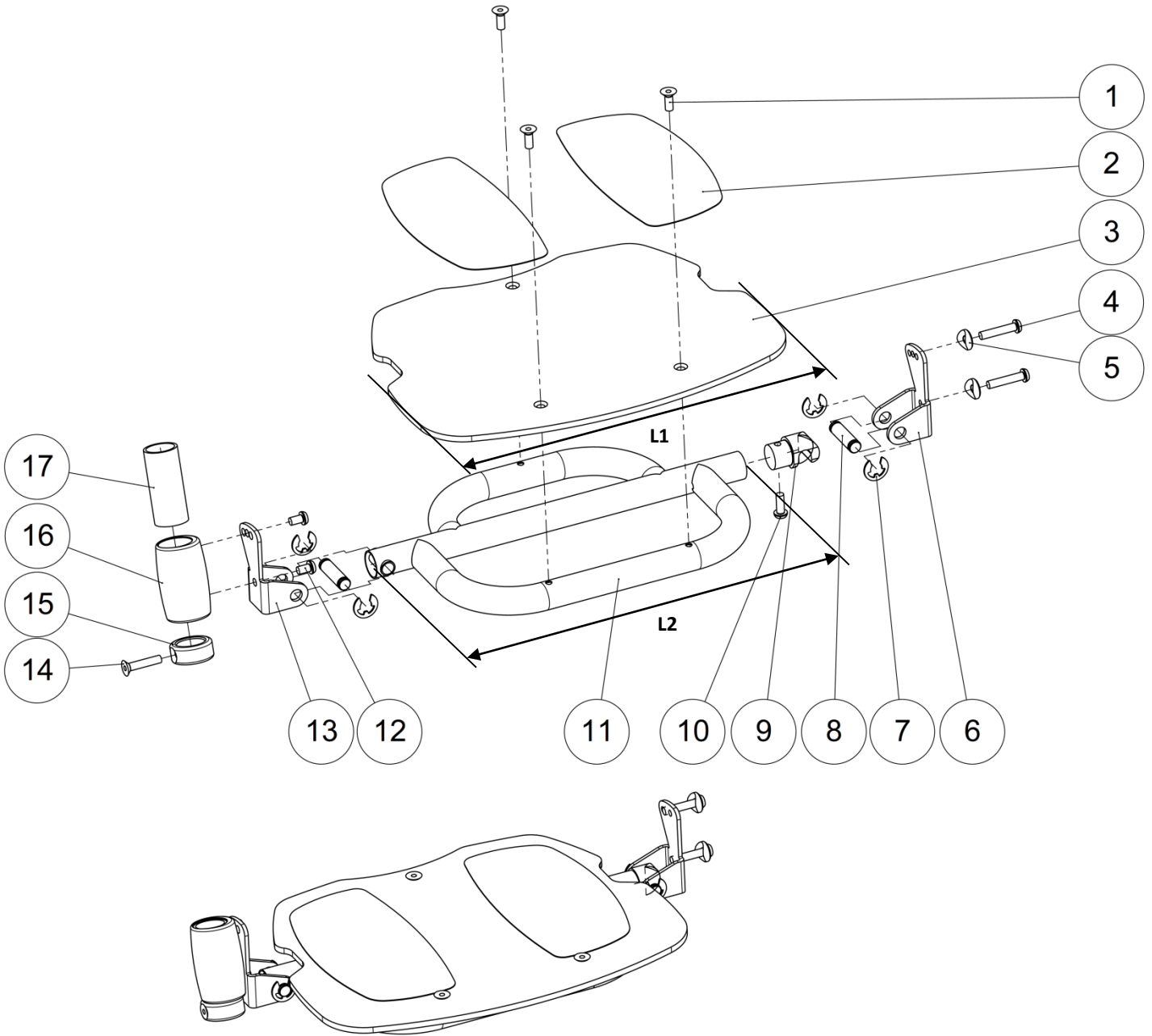
Fixed footrest

## Fixed footrest

Pos	Qty	Stock Code	Description En	Description Fr	Remark
1	2	<b>F0030XXXFO</b>	Anti skid sticker	Antidérapant prédécoupé	
2	1	<b>L1230X36FO</b>	Footplate size 36 cm	Palette taille 36 cm	L = 320mm
		<b>L1230X40FO</b>	Footplate size 40 cm	Palette taille 40 cm	L = 360mm
		<b>L1230X44FO</b>	Footplate size 44 cm	Palette taille 44 cm	L = 400mm
		<b>L1230X48FO</b>	Footplate size 48 cm	Palette taille 48 cm	L = 440mm
3	4	<b>VIS-FHC6X16ZN</b>	Hexagon socket countersunk head screw M6x16	Vis tête fraisée M6x16 six pans creux	
4	4	<b>VIS-CHC6X40ZN</b>	Hexagon socket head cap screw M6x40	Vis tête cylindrique M6x40 six pans creux	
5	4	<b>L0002221AI</b>	Concave washer for tube Ø22.1mm	Coupelle pour tube Ø22.1mm	
6	8	<b>RON-M6ZN</b>	Plain washer Ø6	Rondelle plate M Ø6	
7	4	<b>C0215XXXFO</b>	Nut cap M6	Cache écrou M6	
8	4	<b>ECR-HFR6ZN</b>	Prevailing torque type hexagon nut M6	Ecrou frein M6	
9	1	<b>L3102RXXPN</b>	Right footrest bracket	Equerre droite repose pied	
10	1	<b>L3102LXXPN</b>	Left footrest bracket	Equerre gauche repose pied	
11	1	<b>322877</b>	Kit fixation footrest right	Kit de fixation palette droit	
12	1	<b>322878</b>	Kit fixation footrest left	Kit de fixation palette gauche	

Legrest

Footrest flip up and fold away





Legrest

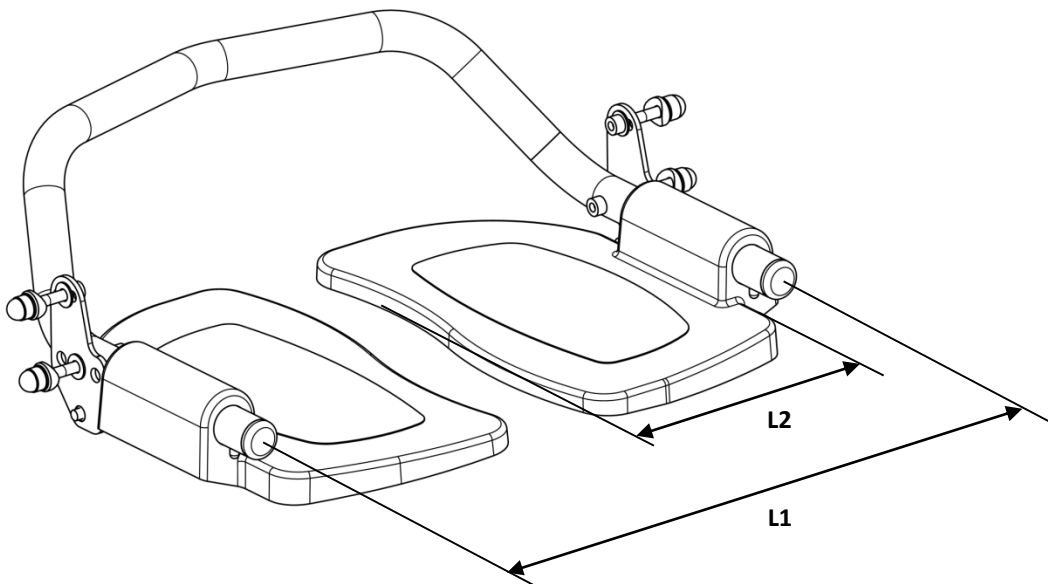
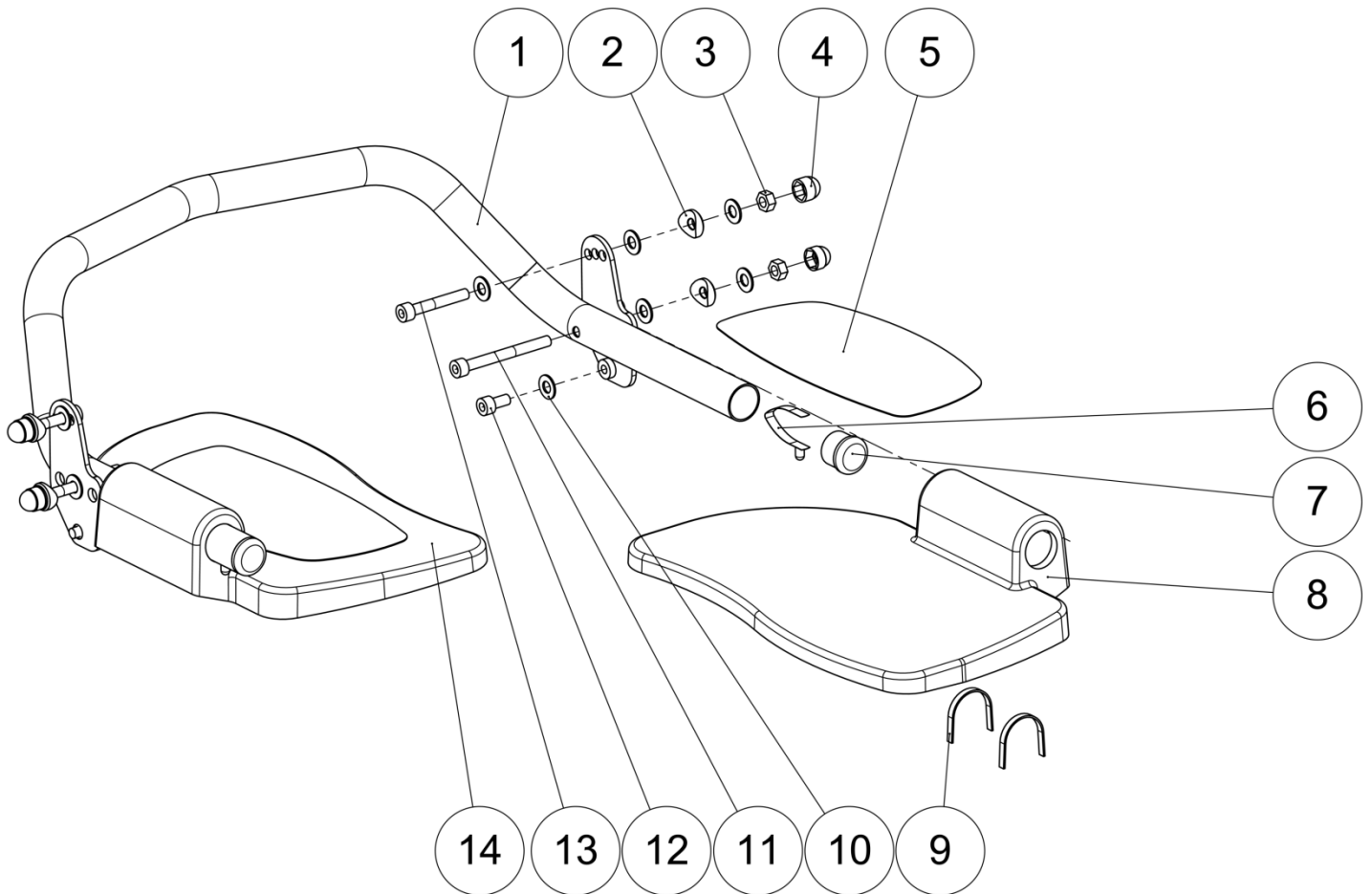
Footrest flip up and fold away

## Footrest flip up and fold away

Pos	Qty	Stock Code	Description En	Description Fr	Remark
1	3	<b>VIS-FHC6X16ZN</b>	Hexagon socket countersunk head screw M6x16	Vis tête fraisée M6x16 six pans creux	
2	2	<b>F0030XXXFO</b>	Anti skid sticker	Antidérapant prédécoupé	
3	1	<b>L3103E36FO</b>	Monobloc footplate size 36 cm	Palette monobloc taille 36 cm	L1 ≈ 270mm
		<b>L3103E40FO</b>	Monobloc footplate size 40 cm	Palette monobloc taille 40 cm	L1 ≈ 310mm
		<b>L3103E44FO</b>	Monobloc footplate size 44 cm	Palette monobloc taille 44 cm	L1 ≈ 350mm
4	2	<b>VIS-CBHC6X30ZN</b>	Hexagon socket button head screw M6x30	Vis tête bombée M6x30 six pans creux	
5	2	<b>L0002221AI</b>	Concave washer for tube Ø22.1mm	Coupelle pour tube Ø22.1mm	
6	1	<b>L3101LXXPN</b>	Left footrest clevis	Chape gauche repose pied	
7	4	<b>ANN-RAD10RENFO</b>	E-type reinforced ring Ø10	Anneau-E radial renforcé Ø10	
8	2	<b>L3002XXXZN</b>	Foot-rest fork joint spindle	Axe chape repose pieds	
9	1	<b>L3005XXXAI</b>	Fork-joint lug for foot-rest	Tenon de chape repose pieds	
10	1	<b>VIS-CBHC6X16ZN</b>	Hexagon socket button head screw M6x16	Vis tête bombée M6x16 six pans creux	
11	1	<b>L3104X36PN</b>	Fixed footrest support tube size 36 cm	Support palette monobloc taille 36 cm	L2 ≈ 277mm
		<b>L3104X40PN</b>	Fixed footrest support tube size 40 cm	Support palette monobloc taille 40 cm	L2 ≈ 317mm
		<b>L3104X44PN</b>	Fixed footrest support tube size 44 cm	Support palette monobloc taille 44 cm	L2 ≈ 357mm
		<b>L3104X48PN</b>	Fixed footrest support tube size 48 cm	Support palette monobloc taille 48 cm	L2 ≈ 397mm
12	2	<b>VIS-CBHC6X10ZN</b>	Hexagon socket button head screw M6x10	Vis tête bombée M6x10 six pans creux	
13	1	<b>L3101RXXPN</b>	Footrest right clevis	Chape droite repose pied	
14	1	<b>VIS-FHC6X30ZN</b>	Hexagon socket countersunk head screw M6x30	Vis tête fraisée M6x30 six pans creux	
15	1	<b>L3109XXXAI</b>	Footrest blocking ring	Bague blocage repose pieds	
16	1	<b>L3107XXXAI</b>	Footrest bushing	Fourreau repose pieds	
17	1	<b>L3108XXXAI</b>	Footrest plastic guide	Palier repose pieds	

Legrest

Dual footrest flip up





Legrest

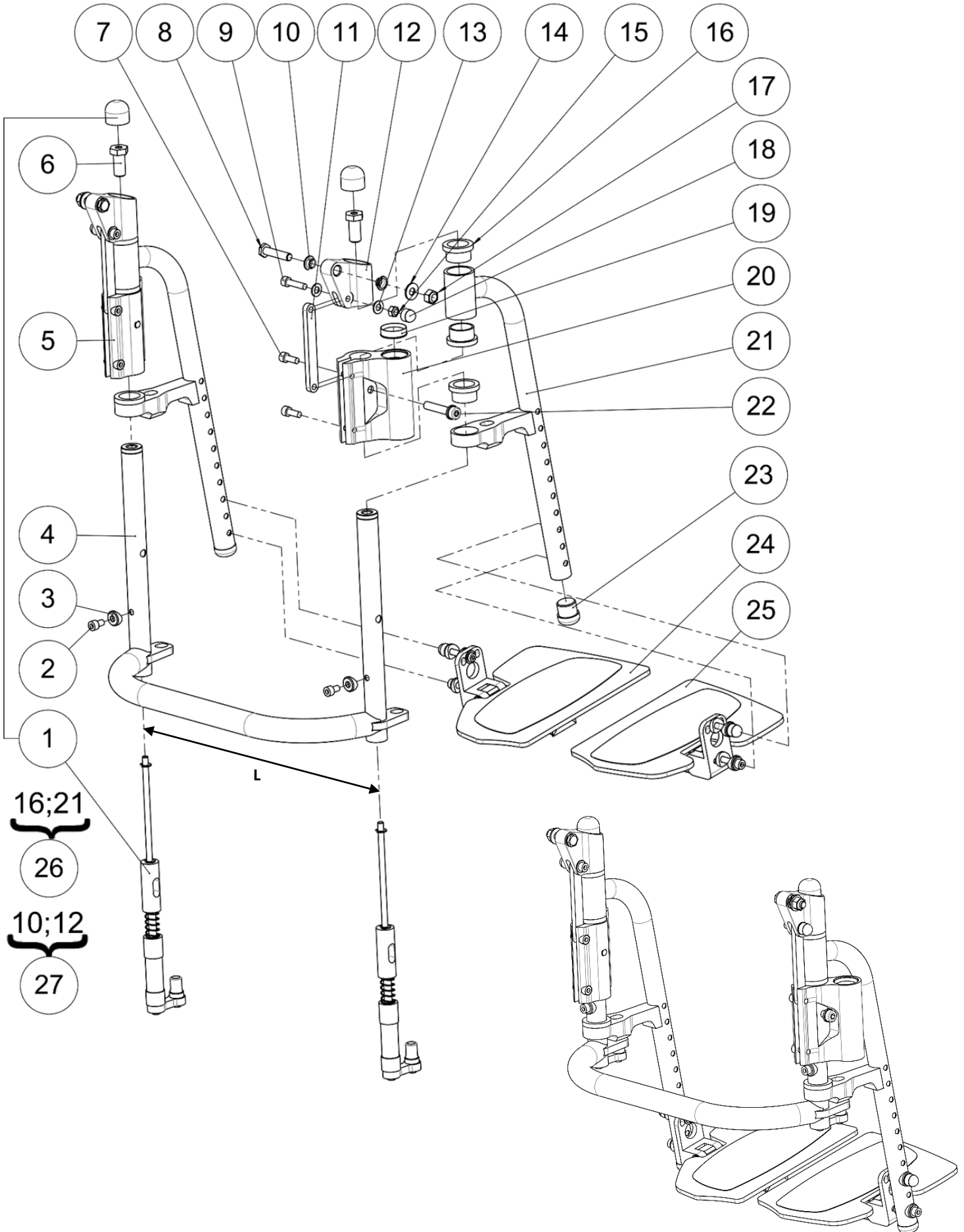
Dual footrest flip up

## Dual footrest flip up

Pos	Qty	Stock Code	Description En	Description Fr	Remark
1	1	<b>L3150X36PN</b>	Dual footrest support tube size 36 cm	Support bi-palette taille 36 cm	L1 ≈ 314mm
		<b>L3150X40PN</b>	Dual footrest support tube size 40 cm	Support bi-palette taille 40 cm	L1 ≈ 354mm
		<b>L3150X44PN</b>	Dual footrest support tube size 44 cm	Support bi-palette taille 44 cm	L1 ≈ 394mm
		<b>L3150X48PN</b>	Dual footrest support tube size 48 cm	Support bi-palette taille 48 cm	L1 ≈ 434mm
2	4	<b>L0002221AI</b>	Concave washer for tube Ø22.1mm	Coupelle pour tube Ø22.1mm	
3	4	<b>ECR-HFR6ZN</b>	Prevailing torque type hexagon nut M6	Ecrou frein M6	
4	4	<b>C0215XXXFO</b>	Nut cap M6	Cache écrou M6	
5	2	<b>F0030XXXFO</b>	Anti skid sticker	Antidérapant prédécoupé	
6	2	<b>L0022XXXFO</b>	Pawl D6-LG7	Cliquet D6-LG7	
7	2	<b>L0005221FO</b>	Black cap for tube Ø22.1mm	Bouchon plastique noir pour tube Ø22.1mm	
8	1	<b>L3151LXXPN</b>	Footplate flip up left size 36-40 cm	Palette relevable gauche taille 36-40 cm	L2 ≈ 154mm
		<b>L3152LXXPN</b>	Footplate flip up left size 44-48 cm	Palette relevable gauche taille 44-48 cm	L2 ≈ 180mm
9	4	<b>L0027XXXFO</b>	Alu footplate slide spring	Lame ressort palette alu	
10	12	<b>RON-M6ZN</b>	Plain washer Ø6	Rondelle plate M Ø6	
11	2	<b>VIS-CHC6X60ZN</b>	Hexagon socket head cap screw M6x60	Vis tête cylindrique M6x60 six pans creux	
12	2	<b>VIS-CHC6X12ZN</b>	Hexagon socket head cap screw M6x12	Vis tête cylindrique M6x12 six pans creux	
13	2	<b>VIS-CHC6X40ZN</b>	Hexagon socket head cap screw M6x40	Vis tête cylindrique M6x40 six pans creux	
14	1	<b>L3151RXXPN</b>	Footplate flip up right size 36-40 cm	Palette relevable droite taille 36-40 cm	L2 ≈ 154mm
		<b>L3152RXXPN</b>	Footplate flip up right size 44-48 cm	Palette relevable droite taille 44-48 cm	L2 ≈ 180mm

Legrest

Dual footrest flip up and fold away



Legrest

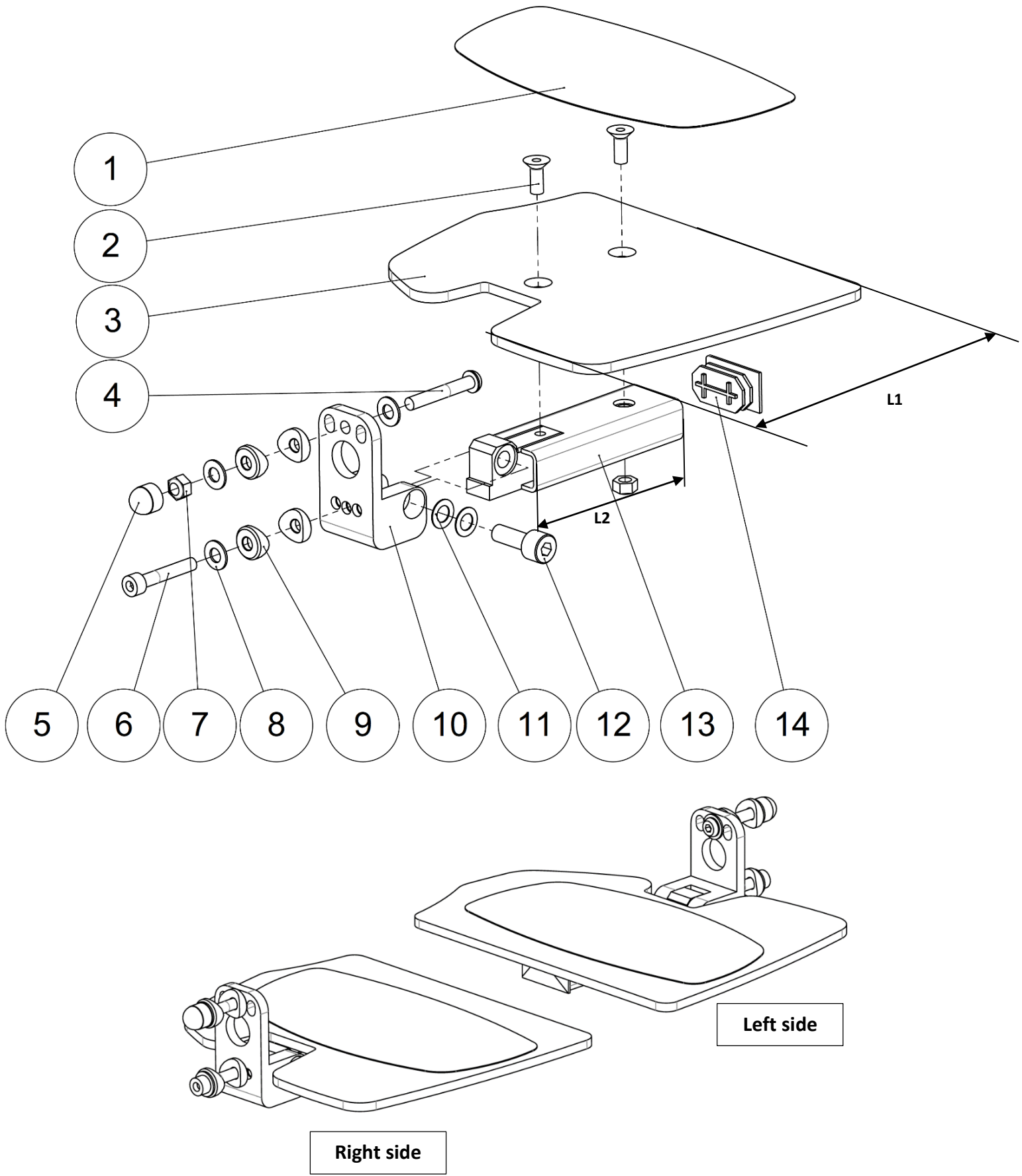
Dual footrest flip up and fold away

## Dual footrest flip up and fold away

Pos	Qty	Stock Code	Description En	Description Fr	Remark
1	2		Dual footrest flip up and fold away rod	Tige bi-palette relevable escamotable	See exploded view p.44
2	2	<b>VIS-CHC6X10ZN</b>	Hexagon socket head cap screw M6x10	Vis tête cylindrique M6x10 six pans creux	
3	2	<b>L0002221AI</b>	Concave washer for tube Ø22.1mm	Coupelle pour tube Ø22.1mm	
4	1	<b>L3162X36PN</b>	Legrest reinforcement stirrup size 36 cm	Berceau de jambier taille 36 cm	L ≈ 313mm
		<b>L3162X40PN</b>	Legrest reinforcement stirrup size 40 cm	Berceau de jambier taille 40 cm	L ≈ 353mm
		<b>L3162X44PN</b>	Legrest reinforcement stirrup size 44 cm	Berceau de jambier taille 44 cm	L ≈ 393mm
		<b>L3162X48PN</b>	Legrest reinforcement stirrup size 48 cm	Berceau de jambier taille 48 cm	L ≈ 433mm
5	1	<b>L3167LXXAI</b>	Left sleeve support	Fourreau gauche	
6	2	<b>L3164XXXZN</b>	Upper guide	Guide supérieur	
7	4	<b>VIS-CHC6X16ZN</b>	Hexagon socket head cap screw M6x16	Vis tête cylindrique M6x16 six pans creux	
8	2	<b>L0016XXXZN</b>	Axe Ø8x36mm	Axle Ø8x36mm	
9	2	<b>VIS-CHC6X25ZN</b>	Hexagon socket head cap screw M6x25	Vis tête cylindrique M6x25 six pans creux	
10	4	<b>L0007080FO</b>	Collar bearing Ø8xØ10x5.5mm	Coussinet a collerette Ø8xØ10x5.5mm	
11	2	<b>L3171XXXZN</b>	Contact tie-rod	Tirant de liaison	
12	2		Upper pivot	Pivot supérieur	NOT FOR SALE L3168XXXAI
13	4	<b>RON-M6ZN</b>	Plain washer Ø6	Rondelle plate M Ø6	
14	2	<b>RON-M8ZN</b>	Plain washer Ø8	Rondelle plate M Ø8	
15	2	<b>ECR-HFR6ZN</b>	Prevailing torque type hexagon nut M6	Ecrou frein M6	
16	6	<b>L3176XXXZN</b>	Guide ring	Bague de guidage	
17	2	<b>ECR-HFR8ZN</b>	Prevailing torque type hexagon nut M8	Ecrou frein M8	
18	2	<b>C0215XXXFO</b>	Nut cap M6	Cache écrou M6	
19	2	<b>L3035XXXFO</b>	Sleeve-guide ring	Bague de guidage fourreau	
20	1	<b>L3167RXXAI</b>	Right sleeve support	Fourreau droit	
21	2		Footrest tube	Montant repose pied	NOT FOR SALE L3166XXXPN
22	2	<b>L3178XXXZN</b>	Screw M8	Vis M8	
23	2	<b>L0006195FO</b>	Footrest plug Ø19.5mm + wedge	Tampon RP Ø19.5mm + cheville	
24	1		Dual footrest flip up and fold away plate left	Palette relevable escamotable gauche	See exploded view p.42
25	1		Dual footrest flip up and fold away plate right	Palette relevable escamotable droit	See exploded view p.42
26	2	<b>322879</b>	Kit footrest tube (unit)	Kit montant repose pied (l'unité)	
27	2	<b>322880</b>	Kit upper pivot (unit)	Kit pivot supérieur (l'unité)	

Legrest

Dual footrest flip up and fold away plates



Legrest

Dual footrest flip up and fold away plates

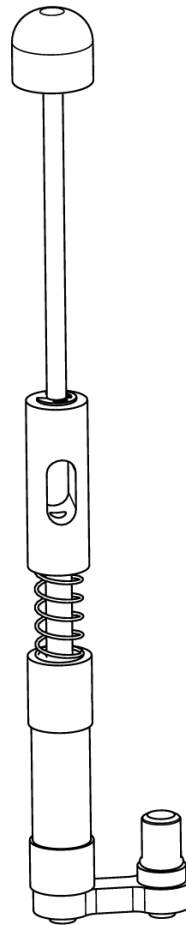
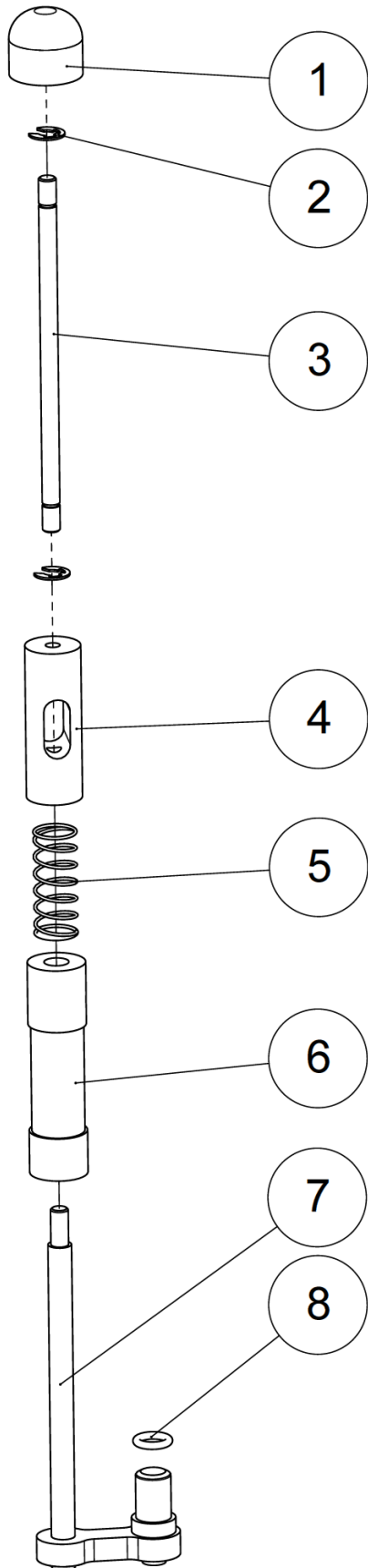
## Dual footrest flip up and fold away plates

Pos	Qty	Stock Code	Description En	Description Fr	Remark
1	2	<b>F0030XXXFO</b>	Anti skid sticker	Anti dérapant prédécoupé	
2	4	<b>VIS-FHC6X12ZN</b>	Hexagon socket countersunk head screw M6x12	Vis tête fraisée M6x12 six pans creux	
3	1	<b>L3163L36PN</b>	Footplate left size 36 cm	Palette gauche taille 36 cm	L1 = 145mm
		<b>L3163L40PN</b>	Footplate left size 40 cm	Palette gauche taille 40 cm	L1 = 165mm
		<b>L3163L44PN</b>	Footplate left size 44 cm	Palette gauche taille 44 cm	L1 = 185mm
		<b>L3163L48PN</b>	Footplate left size 48 cm	Palette gauche taille 48 cm	L1 = 200mm
	1	<b>L3163R36PN</b>	Footplate right size 36 cm	Palette droite taille 36 cm	L1 = 145mm
		<b>L3163R40PN</b>	Footplate right size 40 cm	Palette droite taille 40 cm	L1 = 165mm
		<b>L3163R44PN</b>	Footplate right size 44 cm	Palette droite taille 44 cm	L1 = 185mm
		<b>L3163R48PN</b>	Footplate right size 48 cm	Palette droite taille 48 cm	L1 = 200mm
4	2	<b>VIS-CBHC6X45ZN</b>	Hexagon socket button head screw M6x45	Vis tête bombée M6x45 six pans creux	
5	2	<b>C0215XXXFO</b>	Nut cap M6	Cache écrou M6	
6	2	<b>VIS-CHC6X40ZN</b>	Hexagon socket head cap screw M6x40	Vis tête cylindrique M6x40 six pans creux	
7	4	<b>ECR-HFR6ZN</b>	Prevailing torque type hexagon nut M6	Ecrou frein M6	
8	6	<b>RON-M6ZN</b>	Plain washer Ø6	Rondelle plate M Ø6	
9	8	<b>L0002221AI</b>	Concave washer for tube Ø22.1mm	Coupelle pour tube Ø22.1mm	
10	2	<b>L3161XXXZN</b>	Separate footplate hinge	Charnière bi-palette	
11	4	<b>RON-Z8FINEPLAS</b>	Nylon washer Ø8.1x14x0.5mm	Rondelle plate nylon Ø8.1x14x0.5mm	
12	2	<b>L3177XXXZN</b>	Double footplate axle	Axe bi palette	
13	2	<b>L3169X40ZN</b>	Separate footplate basculing size 36-40 cm	Basculeur bi palette taille 36-40 cm	L2 = 96mm
		<b>L3169X44ZN</b>	Separate footplate basculing size 44-48 cm	Basculeur bi palette taille 44-48 cm	L2 = 126mm
14	2	<b>L0003520FO</b>	Black cap for tube 35x20mm	Bouchon plastique noir 35x20mm	



Legrest

Dual footrest flip up and fold away rod







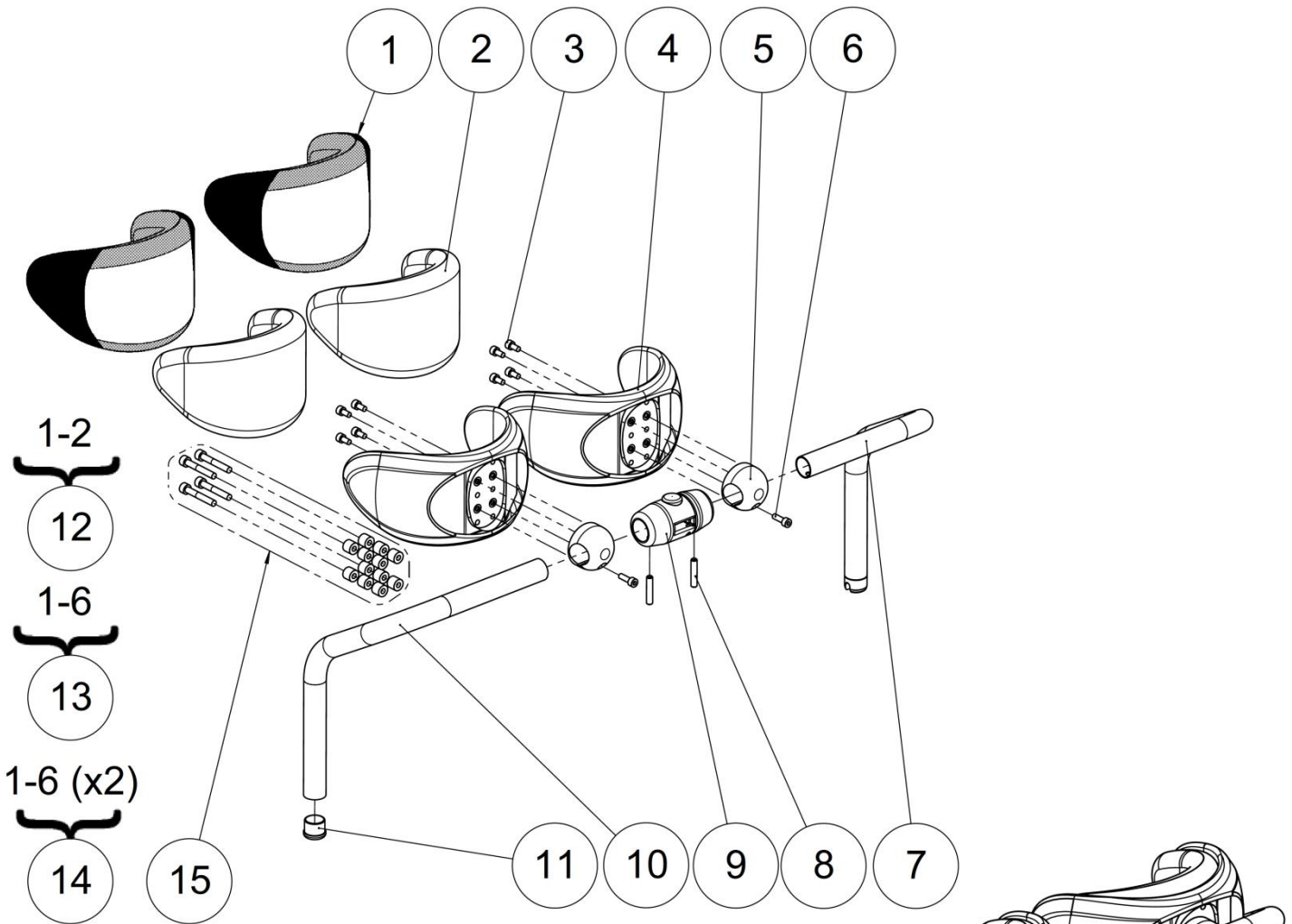
Legrest

Dual footrest flip up and fold away rod

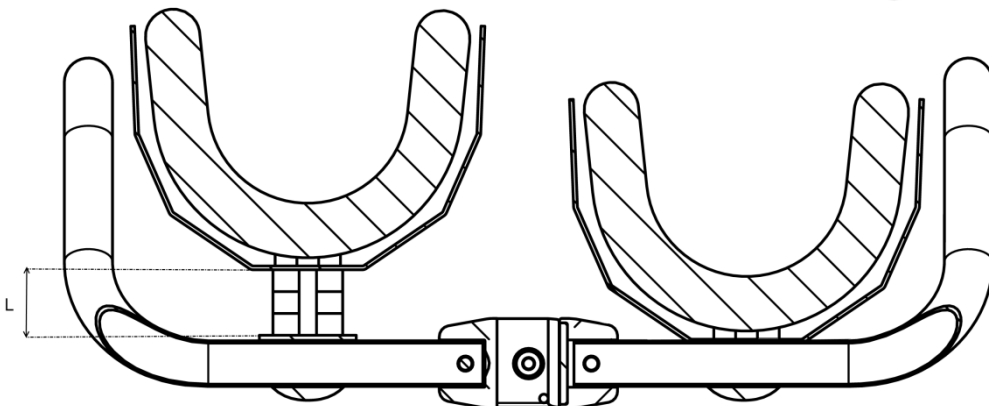
## Dual footrest flip up and fold away rod

Pos	Qty	Stock Code	Description En	Description Fr	Remark
1	1	<b>L3175XXXZN</b>	Unlocking button	Bouton de déverrouillage	
2	2	<b>ANN-RAD6RENFO</b>	Ring Ø6mm	Anneau élastique Ø6mm	
3	1	<b>L3172XXXZN</b>	Control unit rod	Tige de commande	
4	1	<b>L3174XXXZN</b>	Link nut	Ecrou de liaison	
5	1	<b>L3173XXXZN</b>	Spring	Ressort	
6	1	<b>L3165XXXFO</b>	Lower guide	Guide inferieur	
7	1	<b>L3170XXXZN</b>	Bolt	Verrou	
8	1	<b>L0004010FO</b>	O-ring Ø10x3mm	Joint torique Ø10x3mm	

Kneerest



- The kit **322896** contains all screws and spacers for every spacing configuration.





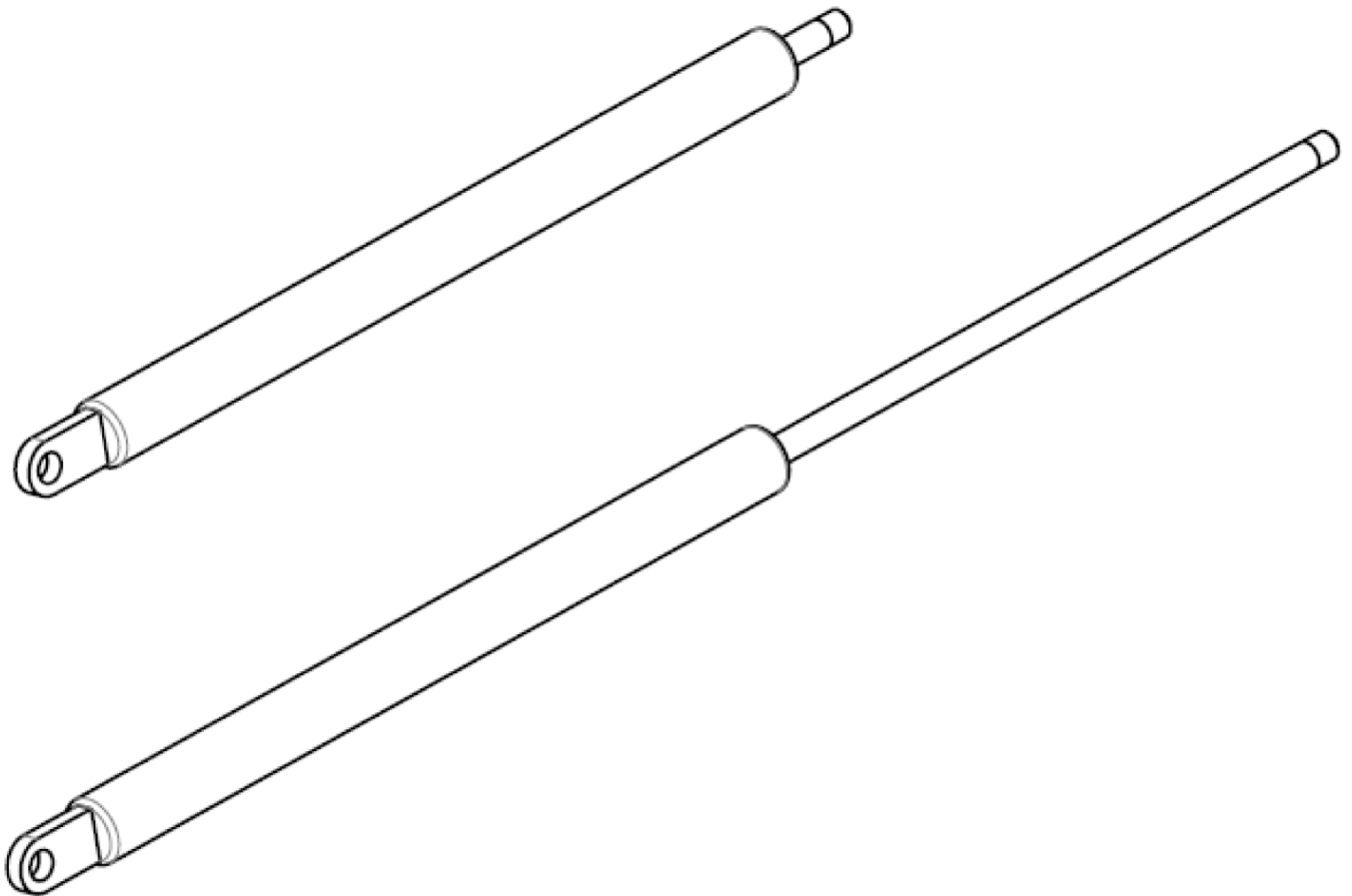
## Kneerest

## Kneerest

Pos	Qty	Stock Code	Description En	Description Fr	Remark
1	2	L3016XXXFO	Cover for confort kneepad	Housse de genouillère	
2	2	L3017XXXFO	Foam for confort kneepad	Coussinet genouillère mousse	
3	8	VIS-CHC5X10ZN	Hexagon socket head cap screw M5x10	Vis tête cylindrique M5x10 six pans creux	
4	2	L3111XXXFO	Polyurethane knee-support	Genouillère polyuréthane surmoulée	
5	2	L3112FXXAI	Knee-support nut	Noix de genouillère fendue	
6	2	VIS-CHC5X16ZN	Hexagon socket head cap screw M5x16	Vis tête cylindrique M5x16 six pans creux	
7	1	L3145L36PN	Left knee support tube size 36 cm	Tube genouillère gauche taille 36 cm	
		L3145L40PN	Left knee support tube size 40 cm	Tube genouillère gauche taille 40 cm	
		L3145L44PN	Left knee support tube size 44 cm	Tube genouillère gauche taille 44 cm	
		L3145L48PN	Left knee support tube size 48 cm	Tube genouillère gauche taille 48 cm	
8	2	VIS-HC6X30ZN	Hexagon socket set screw M6x30	Vis sans tête M6x30 six pans creux	
9	1	L3060XXXFO	Locking knee support set	Verrou genouillère	
10	1	L3145R36PN	Right knee support tube size 36 cm	Tube genouillère droit taille 36 cm	
		L3145R40PN	Right knee support tube size 40 cm	Tube genouillère droit taille 40 cm	
		L3145R44PN	Right knee support tube size 44 cm	Tube genouillère droit taille 44 cm	
		L3145R48PN	Right knee support tube size 48 cm	Tube genouillère droit taille 48 cm	
11	1	L0005221FO	Black cap for tube Ø22.1mm	Bouchon plastique noir pour tube Ø22.1mm	
12	2	L3013ITTFO	Kit foam + cover for confort kneepad (unit)	Kit housse + coussinet confort (l'unité)	
13	2	L3110XXXFO	Kit confort kneepad (unit)	Kit genouillère confort (l'unité)	
14	1	L3100XXXFO	Kit confort kneepads (pair)	Kit genouillères confort (paire)	
15	1	322896	Kit spacers kneerest	Kit entretoises genouillères	See table below to determine the number of spacer(s) and the length of screws

Spacing L (mm) (see picture p.46) / Espacement L (mm) (voir schéma p.46)	0	10	20	30
Quantity of spacer(s) 614472 (for 1 kneepad) / Nombre d'entretoise(s) (pour 1 genouillère)	0	4	8	12
Quantity of screws (for 1 kneepad) / Nombre de vis (pour 1 genouillère)	4	4	4	4
References of screws / Références des vis	VIS-CHC5X10ZN	VIS-CHC5X20ZN	600686 (CHC 5x30)	VIS-CHC5X40ZN

<b>LSR</b>	<b>SPARE PART CATALOG</b>		 
Item N° <b>323237</b>	Revision <b>B</b>	Date <b>29/07/2015</b>	Page <b>48</b> of <b>79</b>
Gas strut			



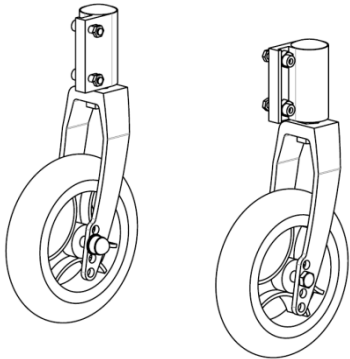


## Gas strut

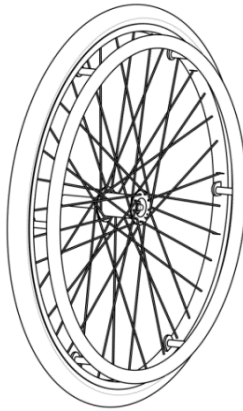
## Gas strut

Pos	Qty	Stock Code	Description En	Description Fr	Remark
1	2	<b>A8200XXXFO</b>	Gas strut Liftline 200N	Vérin Liftline 200N	To make 250N use 1x 200N and 1x 300N
2		<b>A8300XXXFO</b>	Gas strut Liftline 300N	Vérin Liftline 300N	To make 350N use 1x 300N and 1x 400N
3		<b>A8400XXXFO</b>	Gas strut Liftline 400N	Vérin Liftline 400N	To make 450N use 1x 400N and 1x 500N
4		<b>A8500XXXFO</b>	Gas strut Liftline 500N	Vérin Liftline 500N	To make 550N use 1x 500N and 1x 600N
5		<b>A8600XXXFO</b>	Gas strut Liftline 600N	Vérin Liftline 600N	To make 650N use 1x 600N and 1x 700N
6		<b>A8700XXXFO</b>	Gas strut Liftline 700N	Vérin Liftline 700N	To make 750N use 1x 700N and 1x 800N
7		<b>A8800XXXFO</b>	Gas strut Liftline 800N	Vérin Liftline 800N	

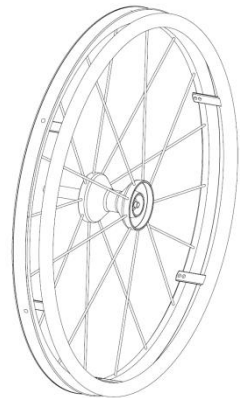
Wheels



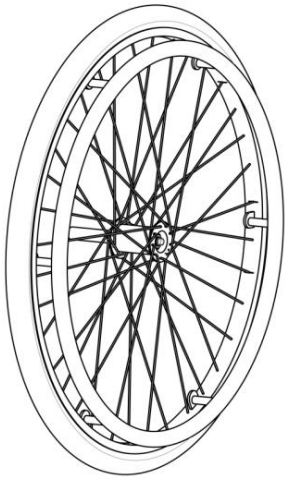
1



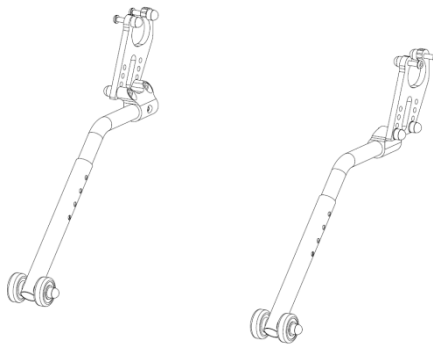
2



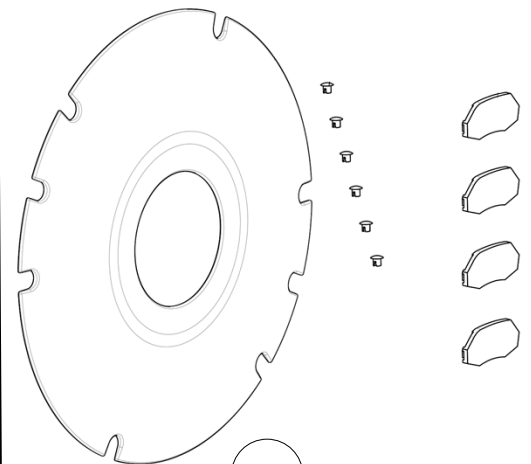
3



4



5



6

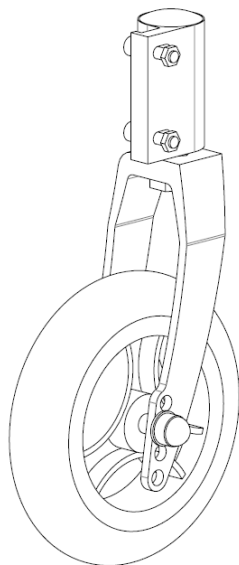
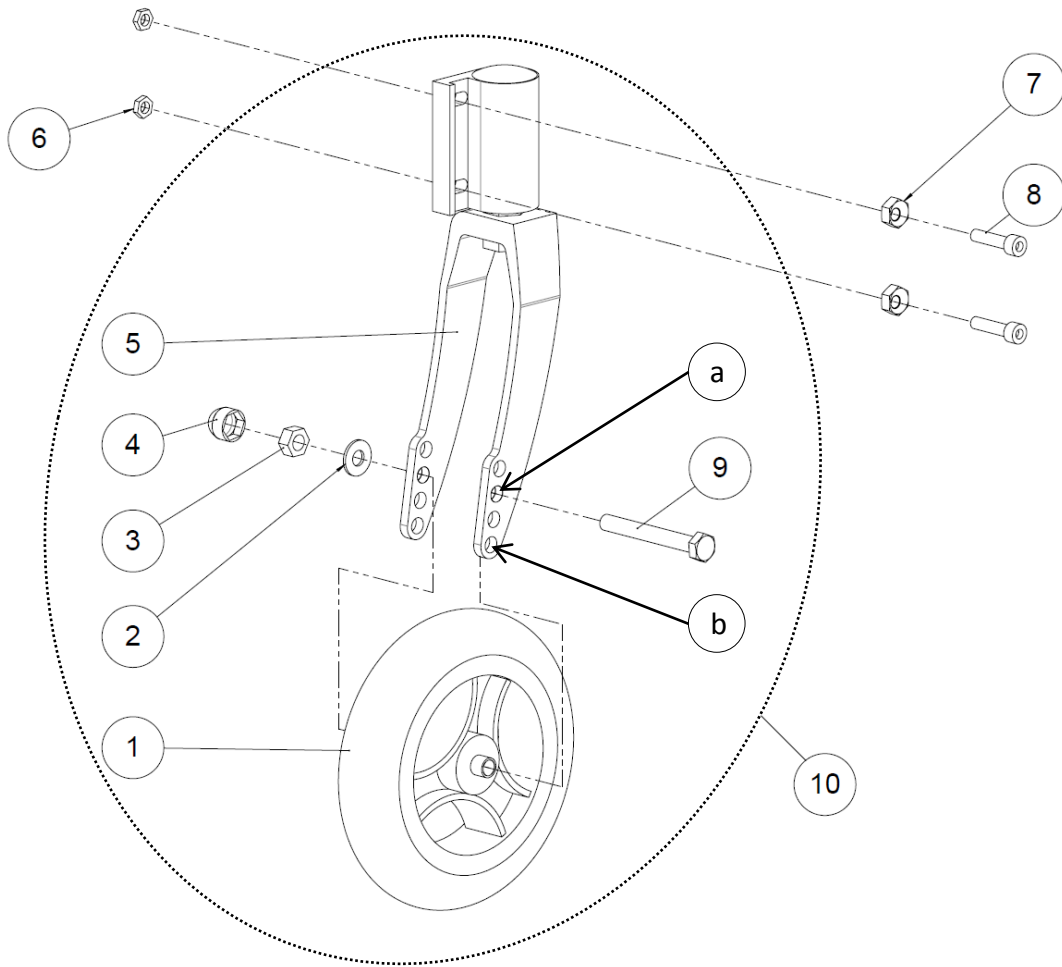
## Wheels

## Wheels

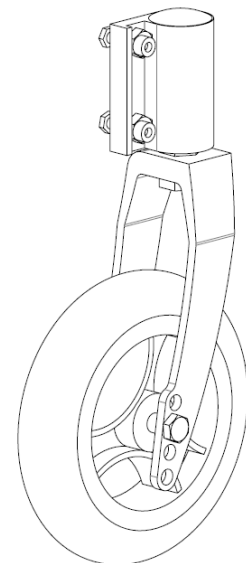
Pos	Qty	Stock Code	Description En	Description Fr	Remark
1	1		Front wheels 6'' soft roller	Roues avant 6'' soft roller	See exploded view p.52
2	1		Rear wheels 24''	Roue arrière 24''	See exploded view p.54
3	1		Rear wheels 24'' Spinergy	Roue arrière 24'' Spinergy	See exploded view p.58
4	1		Rear wheels 26''	Roue arrière 26''	See exploded view p.60
5	1		Anti-tipper wheels	Roulettes anti-bascule	See exploded view p.62
6	1		Rear wheels accessories	Accessoires roues arrières	See exploded view p.64

Wheels

Front wheels



Left side



Right side



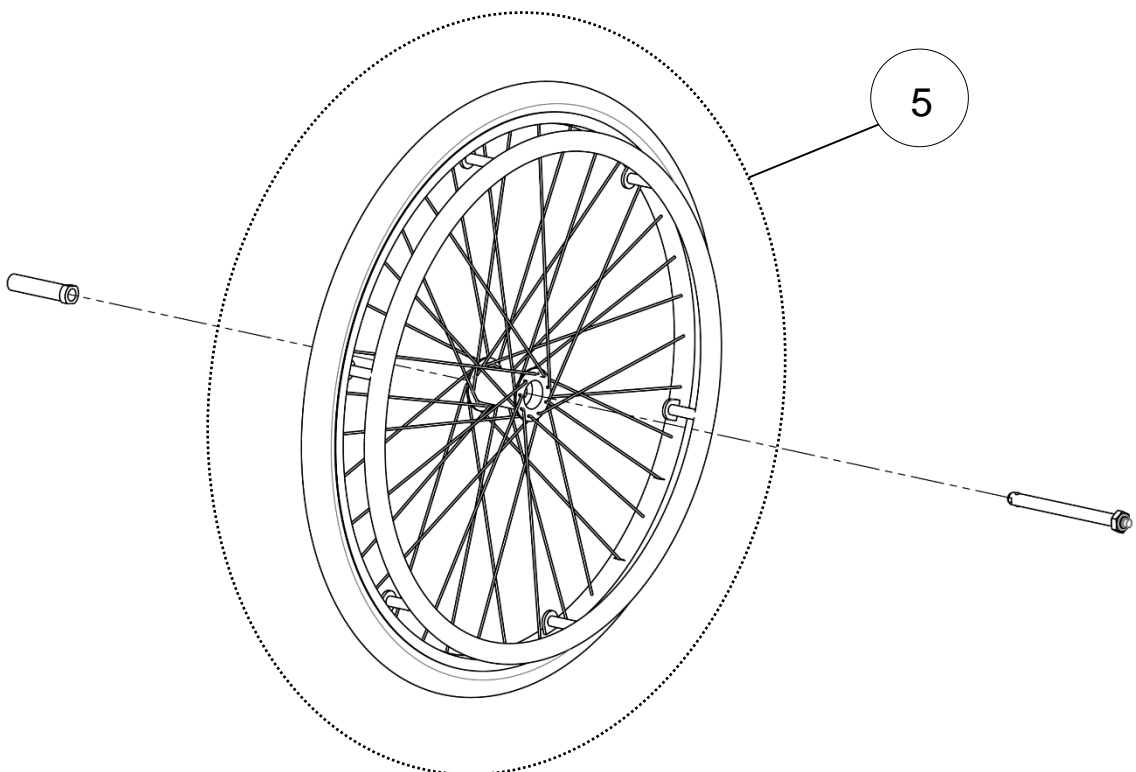
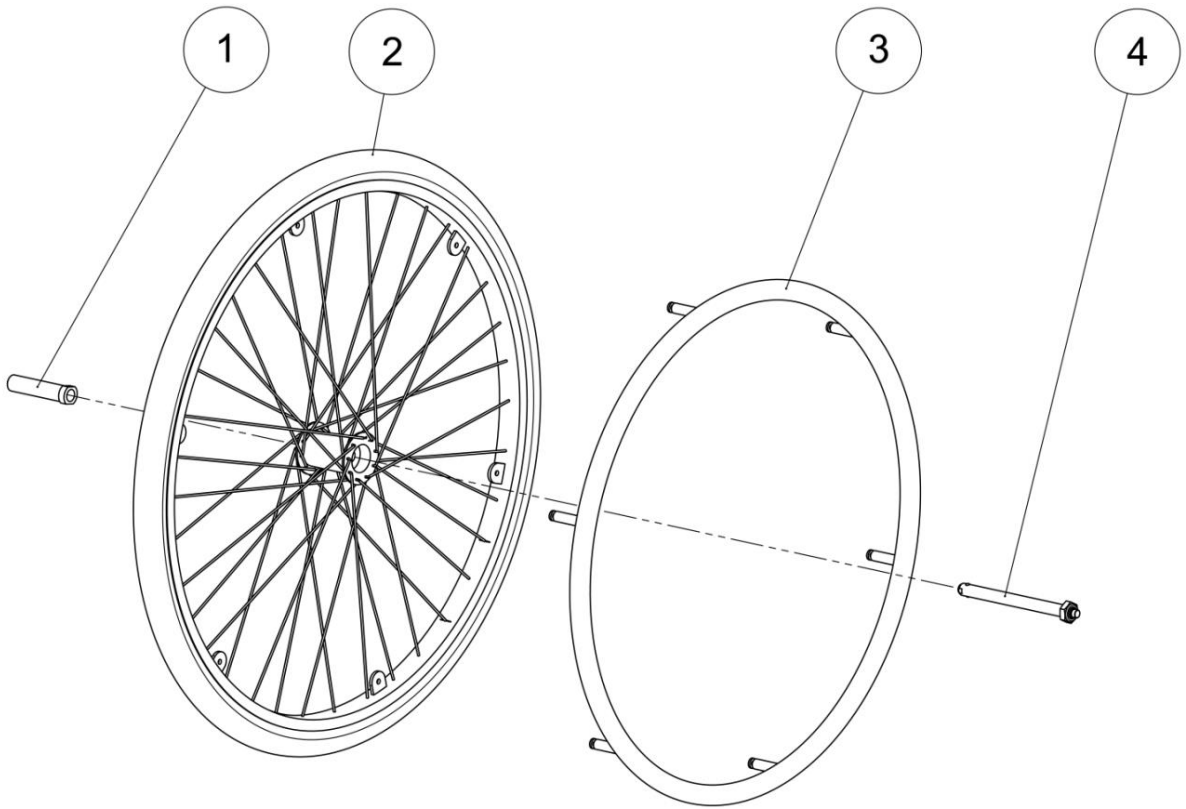
Wheels

Front wheels

Front wheels					
Pos	Qty	Stock Code	Description En	Description Fr	Remark
1	2	<b>L7150BANFO</b>	Front wheel 6"x1"	Roue avant 6"x1"	
2	2	<b>RON-M8ZN</b>	Plain washer Ø8	Rondelle plate M Ø8	
3	2	<b>ECR-HFR8ZN</b>	Prevailing torque type hexagon nut M8	Ecrou frein M8	
4	2	<b>C0214XXXFO</b>	Nut cap M8	Cache écrou M8	
5	1		Left fork + bearings + plastic cap	Fourche gauche + roulements + capuchon plastique	NOT FOR SALE
	1		Right fork + bearings + plastic cap	Fourche droite + roulements + capuchon plastique	NOT FOR SALE
6	4	<b>ECR-HM6ZN</b>	Hexagon thin nut M6	Ecrou M6 bas	
7	4	<b>L7007XXXFO</b>	Flat excentric hexagonal nut	Ecrou excentrique hexagonal plat	
8	4	<b>VIS-CHC6X25ZN</b>	Hexagon socket head cap screw M6x25	Vis tête cylindrique M6x25 six pans creux	
9	2	<b>VIS-H8X65ZN</b>	Hexagon-head screw M8x65	Vis tête hexagonale M8x65	Hole <b>a</b> for rear wheel 24". Hole <b>b</b> for rear wheel 26".
10	1	<b>L1233LXXFO</b>	Kit left pivot + fork + wheel 6"	Kit pivot complet gauche + fourche + roue 6"	
	1	<b>L1233RXXFO</b>	Kit right pivot + fork + wheel 6"	Kit pivot complet droit + fourche + roue 6"	

Wheels

Rear wheel 24"






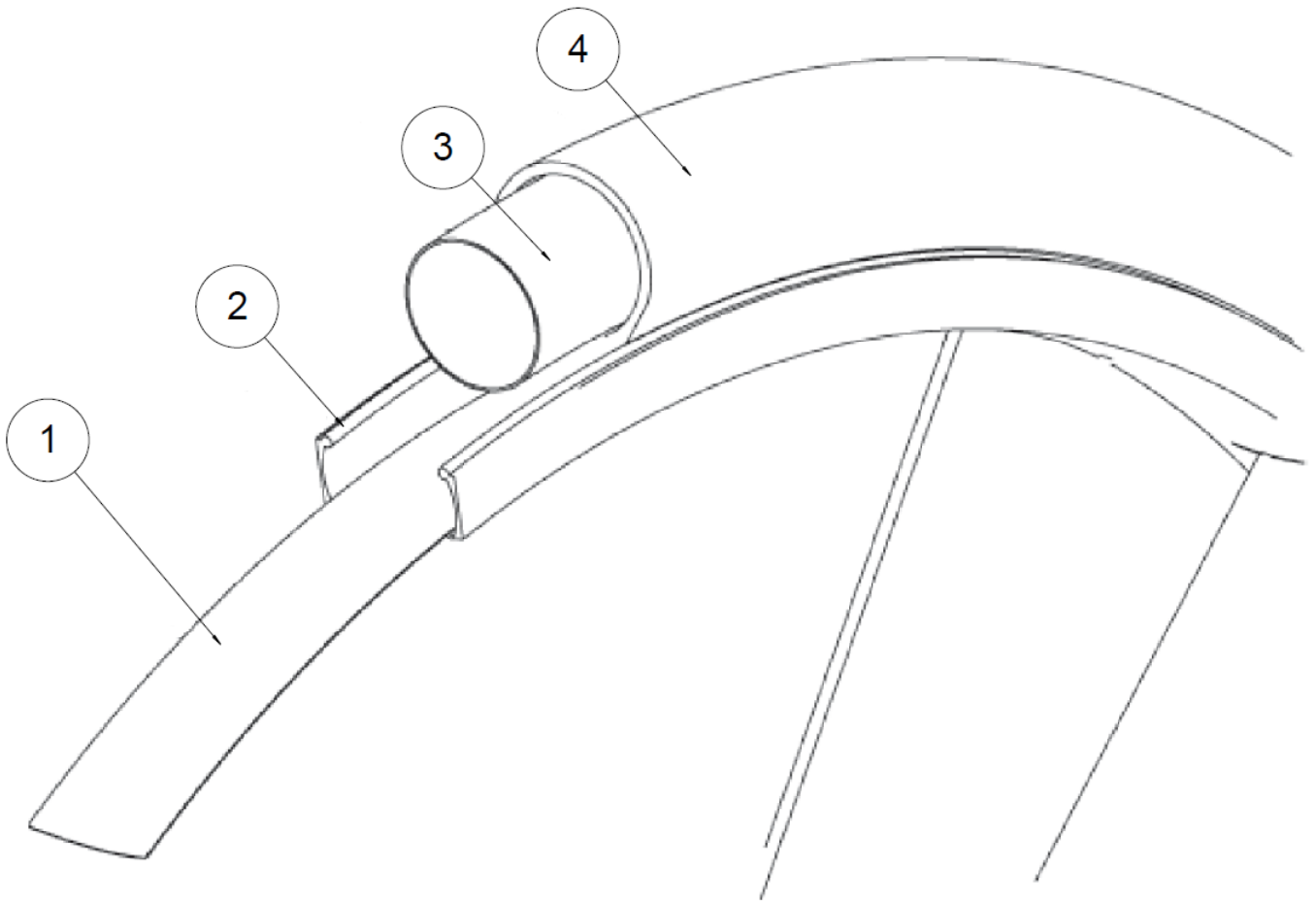
Wheels

Rear wheel 24"

## Rear wheel 24"

Pos	Qty	Stock Code	Description En	Description Fr	Remark
1	1	<b>L7005XLSFO</b>	Long sleeve Ø12	Palier roue Ø12	
2	1		Lifestand rear wheel 24"	Roue Lifestand 24"	See exploded view p.56
		<b>L7006XXXFO</b>	Handrim 24" anodized clear	Main courante 24" anodisé incolore	Not compatible with Spinerge wheels
3	1	<b>L7006CHRFO</b>	Handrim 24" chromed	Main courante 24" chromée	Not compatible with Spinerge wheels
		<b>L7006PVCFO</b>	Handrim 24" smooth silicone cover	Main courante 24" PVC noir	Not compatible with Spinerge wheels
4	1	<b>L7002XXXFO</b>	Quick release axle long + nut M12	Axe QR long + écrou M12	
5	1	<b>L7602HPRFO</b>	Complete wheel 24" anod. clear handrim + HP tire	Roue complète 24"+ pneu HP	

<b>LSR</b>	<b>SPARE PART CATALOG</b>		
Item N° 323237	Revision B	Date 29/07/2015	Page 56 of 79
Wheels			Lifestand rear wheel 24"





Wheels

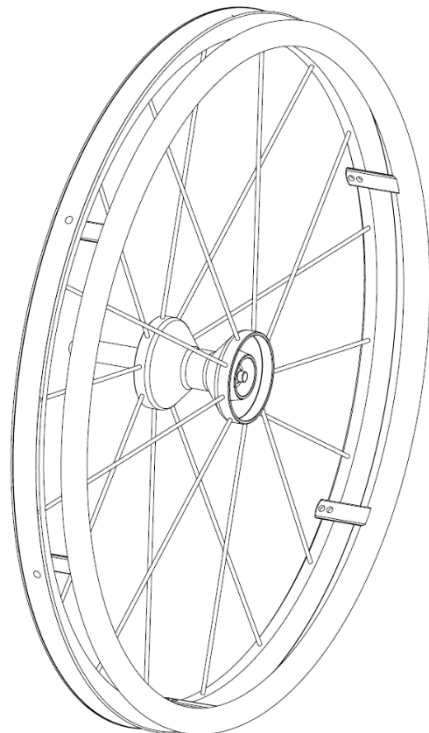
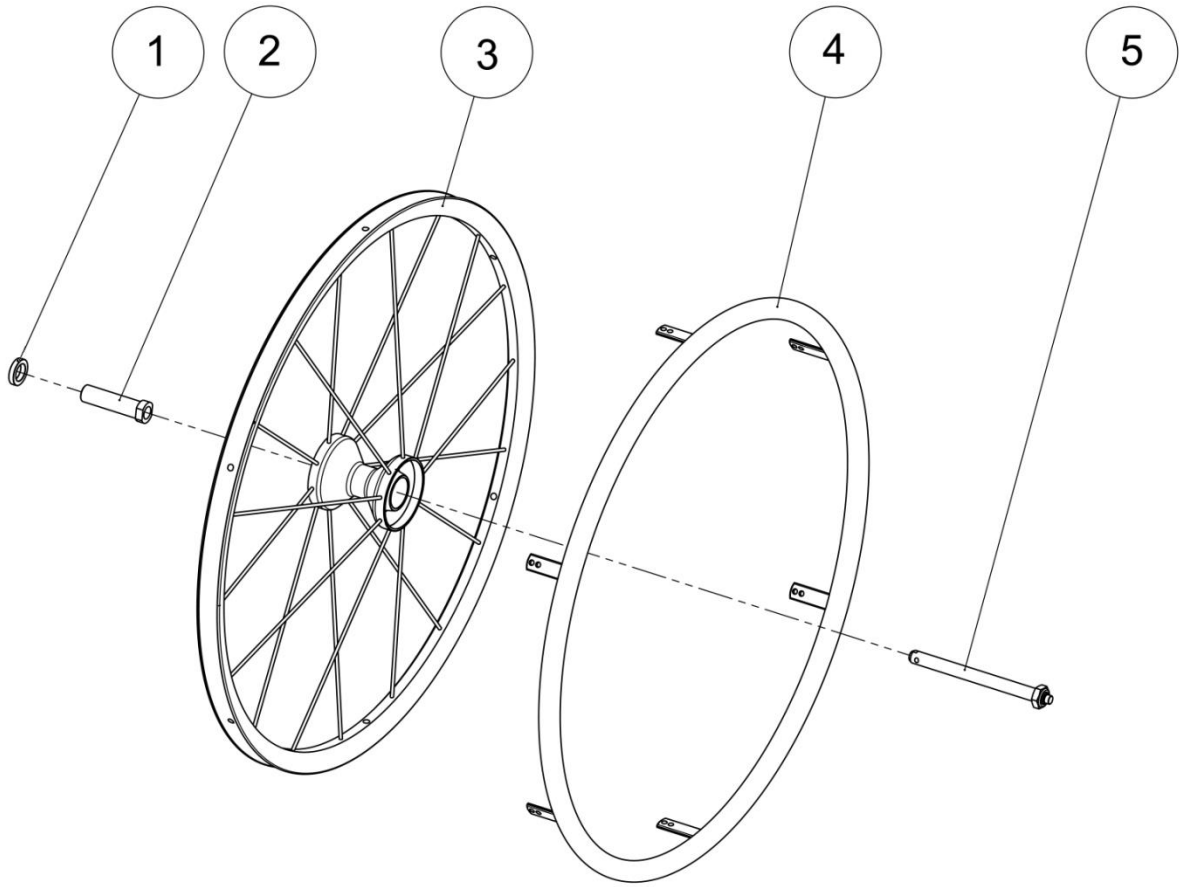
Lifestand rear wheel 24"

## Lifestand rear wheel 24"

Pos	Qty	Stock Code	Description En	Description Fr	Remark
1	1	<b>L7611FJXFO</b>	Inside rim protection for rim 24"	Fond de jante pour jante 24"	
2	1	<b>L7603NUEFO</b>	Complete wheel hub without tire	Jante nue + main courante	
3	1	<b>L7611HPRFO</b>	Tube high pressure for tire 24"	Chambre à air HP pour pneu 24"	
		<b>L7611STDFO</b>	Tube standard for tire 24"	Chambre à air standard pour pneu 24"	
4	1	<b>L7601HPRFO</b>	High pressure tire 24"	Pneu 24" HP	
		<b>L7601MARFO</b>	Tire 24" marathon evolution	Pneu 24" marathon evolution	
		<b>L7601STDFO</b>	Standard tire 24"	Pneu 24" standard	
		<b>N-BA600100L</b>	Flat free tire 24"x 1" glossy finish	Bandage 24"x 1" lisse	
		<b>N-BA600138L</b>	Flat free tire 24"x 1"3/8 glossy finish	Bandage 24"x 1"3/8 lisse	NOT COMPATIBLE WITH SPINERGY WHEELS
		<b>N-BA600138C</b>	Soly poly 24"x 1"3/8	Bandage 24"x 1"3/8 cranté	NOT COMPATIBLE WITH SPINERGY WHEELS

Wheels

Rear wheel 24" Spinergy





Wheels

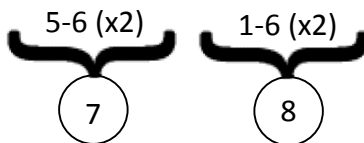
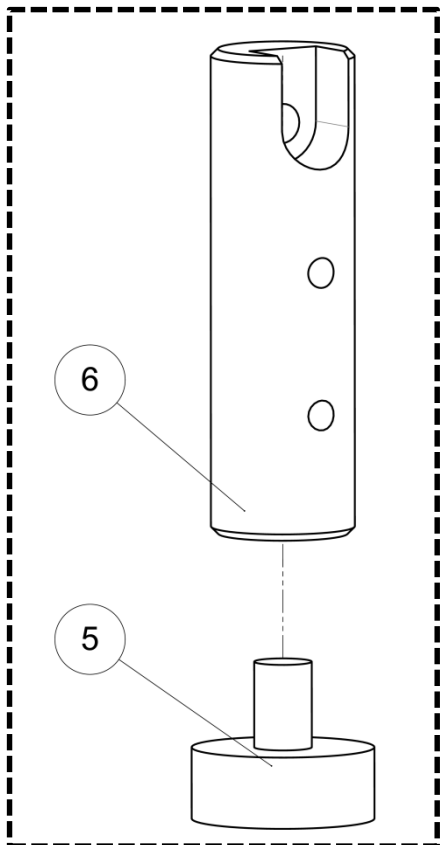
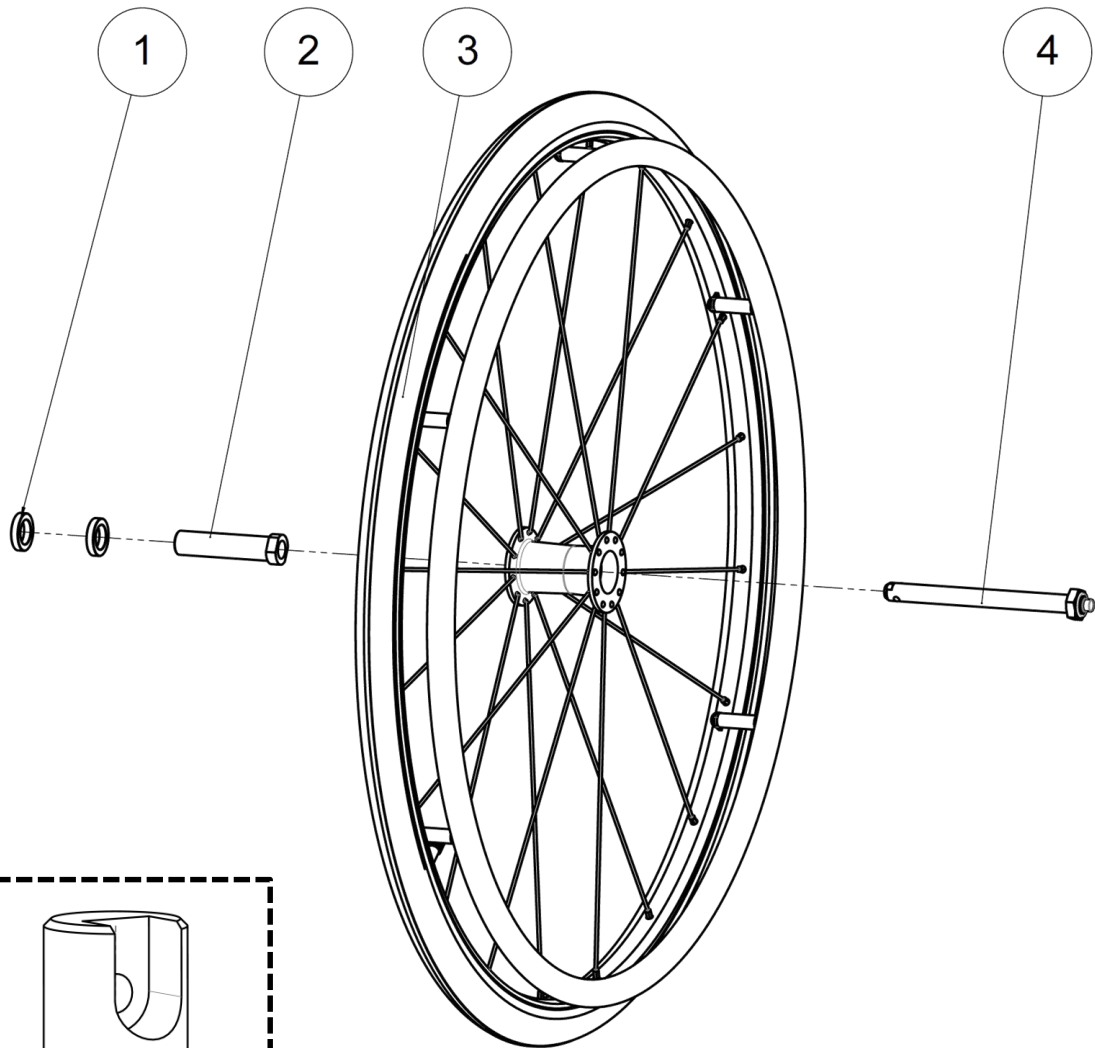
Rear wheel 24" Spinergy

## Rear wheel 24" Spinergy

Pos	Qty	Stock Code	Description En	Description Fr	Remark
1	1	<b>A7001XXXFO</b>	Rear wheel wedging washer	Rondelle de calage roue arrière	
2	1	<b>L7005XXXFO</b>	Bearing + nut for spinergy	Palier court 67mm	Only for Spinergy wheels
3	1	<b>A7600ROUFO</b>	Spinergy rim red spokes	Jante Spinergy rayons rouges	
		<b>A7600BLEFO</b>	Spinergy rim blue spokes	Jante Spinergy rayons bleus	
		<b>A7600WHIFO</b>	Spinergy rim white spokes	Jante Spinergy rayons blancs	
		<b>A7600NOIFO</b>	Spinergy rim black spokes	Jante Spinergy rayons noirs	
4	1	<b>A7006XXXFO</b>	Anodized push rim - black	Main courante anodisée noire	Only for Spinergy wheels
		<b>A7006PVCFO</b>	Rubber coated push rim 24" black	Main courante 24" PVC noir	
5	1	<b>L7002XXXFO</b>	Quick release axle long + nut M12	Axe QR long + écrou M12	

Wheels

Rear wheel 26"



Rear wheels 26'' =

- Kit footrest extension (pair) 322607



Wheels

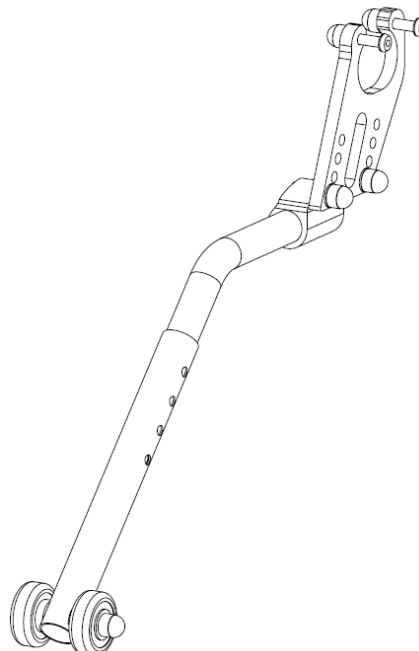
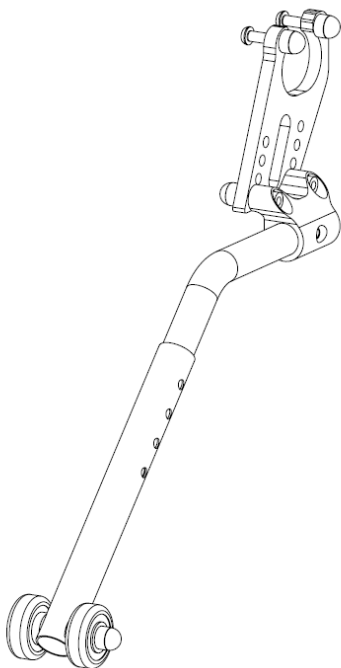
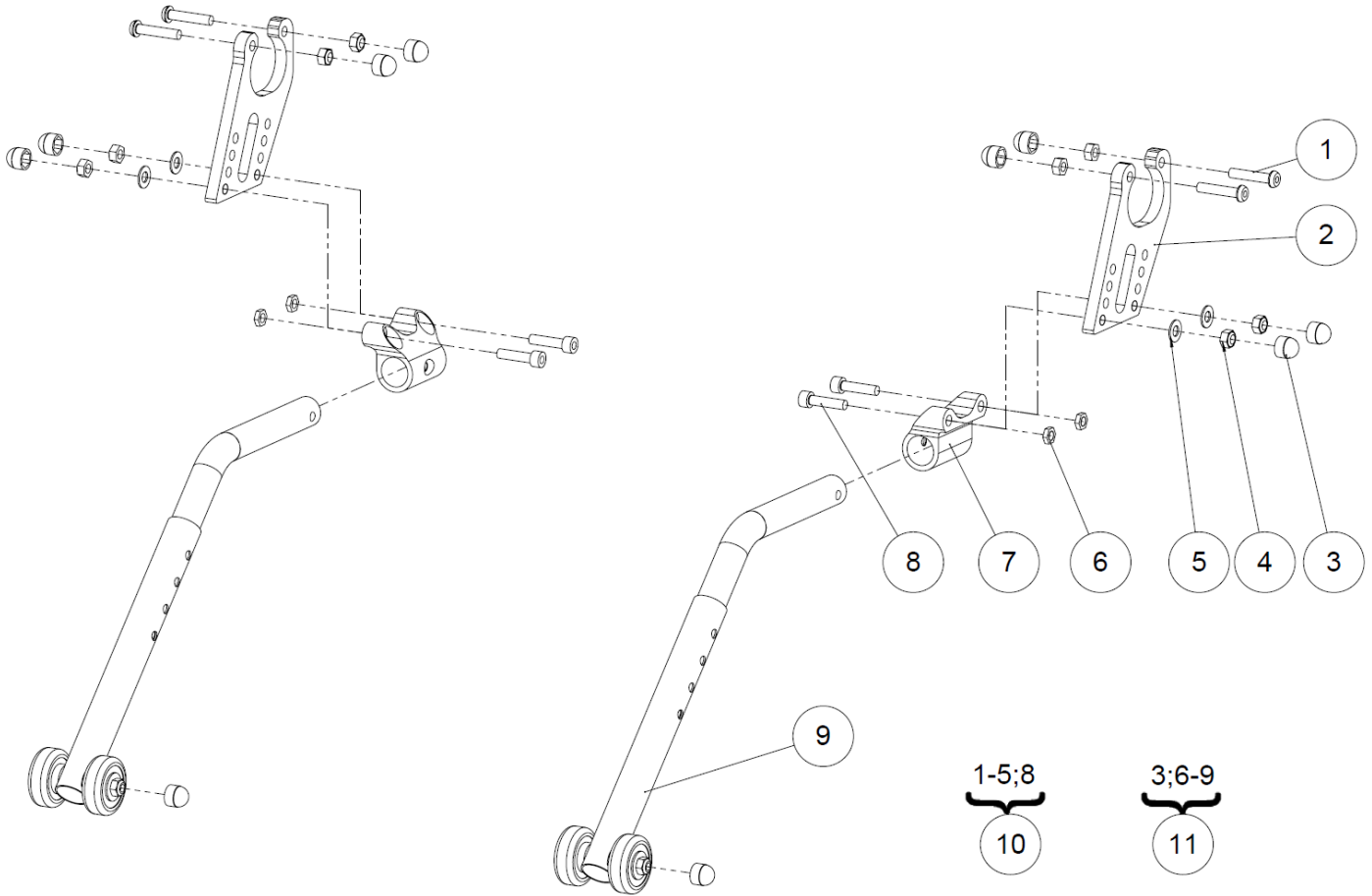
Rear wheel 26"

## Rear wheel 26"

Pos	Qty	Stock Code	Description En	Description Fr	Remark
1	2	<b>A7001XXXFO</b>	Rear wheel wedging washer	Rondelle de calage roue arrière	
2	1	<b>L7005XLSFO</b>	Long sleeve Ø12	Palier roue Ø12	
3	1	<b>A7650X02FO</b>	Complete wheel 26" anod. clear handrim + HP tire	Roue Ø26" complète roue + main courante + pneu	Can be mounted only if wheelchair is equipped with footrest extensions (322607)
4	1	<b>L7002XXXFO</b>	Quick release axle long + nut M12	Axe QR long + écrou M12	
5	1	<b>C1007XXXFO</b>	Shock absorber 10mm	Amortisseur 10mm	
6	1	<b>A7650X01AI</b>	Footrest extension	Rallonge repose pieds	
7	0.5	<b>322607</b>	Kit footrest extension (pair)	Kit extension tube jambier (paire)	
8	0.5	<b>L7650XXXFO</b>	Kit 26" wheels (pair)	Kit roues 26" (paire)	

Wheels

Anti-tipper wheels



Wheels

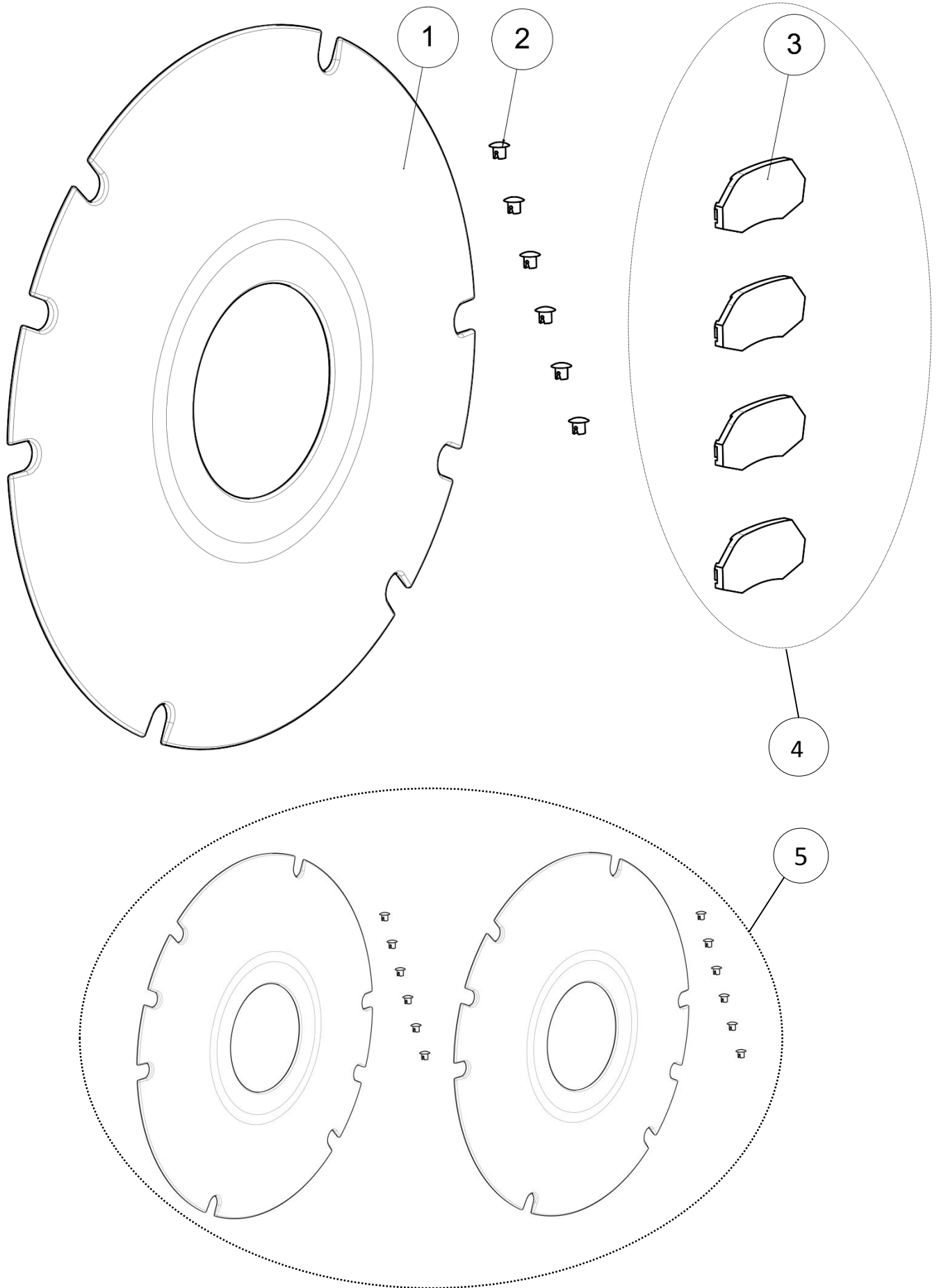
Anti-tipper wheels



## Anti-tipper wheels

Pos	Qty	Stock Code	Description En	Description Fr	Remark
1	4	<b>VIS-CBHC6X30ZN</b>	Hexagon socket button head screw M6x30	Vis tête bombée M6x30 six pans creux	
2	2	<b>L1227XXXFO</b>	Anti-tippers plate	Platine roulette anti-bascule	
3	10	<b>C0215XXXFO</b>	Nut cap M6	Cache écrou M6	
4	8	<b>ECR-HFR6ZN</b>	Prevailing torque type hexagon nut M6	Ecrou frein M6	
5	4	<b>RON-M6ZN</b>	Plain washer Ø6	Rondelle plate M Ø6	
6	4	<b>ECR-HM6ZN</b>	Hexagon thin nut M6	Ecrou bas M6	
7	2	<b>A9001XXXAI</b>	Anti tip bar fitting	Support roulette anti-bascule	
8	4	<b>VIS-CHC6X25ZN</b>	Hexagon socket head cap screw M6x25	Vis tête cylindrique M6x25 six pans creux	
9	1	<b>L9020XXXFO</b>	Anti-tipper wheels (pair)	Roulettes anti-bascule (paire)	
10	1	<b>L1229XXXFO</b>	Kit extension for anti-tippers (pair)	Kit extensions roulettes anti-bascule (paire)	
11	1	<b>323361</b>	Kit anti-tippers wheels (pair)	Kit roulettes anti-bascule (paire)	

Wheels

Rear wheels accessories

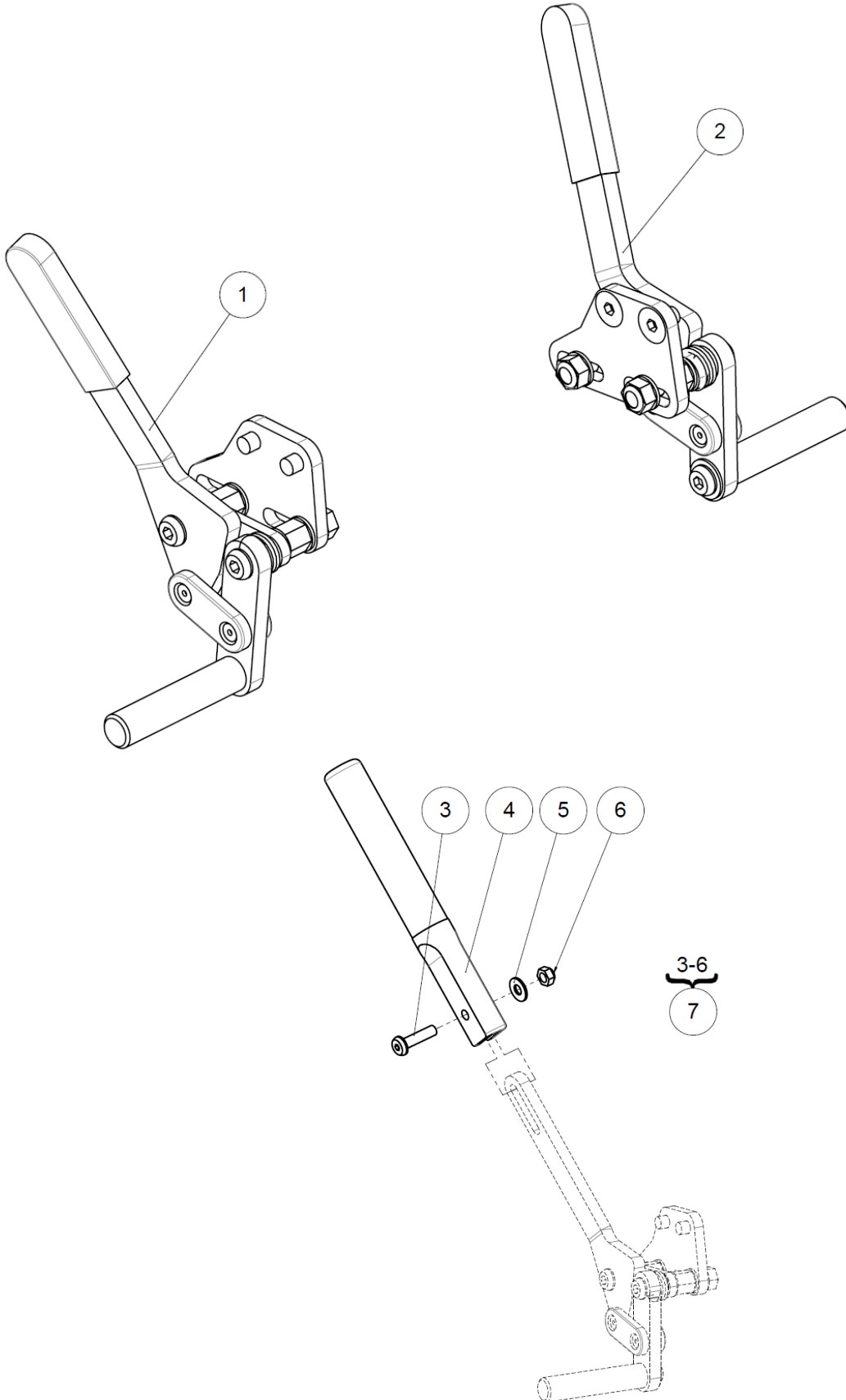




<b>LSR</b>	<b>SPARE PART CATALOG</b>		 
Item N° <b>323237</b>	Revision <b>B</b>	Date <b>29/07/2015</b>	Page <b>65</b> of <b>79</b>
Wheels		Rear wheels accessories	

### Rear wheels accessories

Pos	Qty	Stock Code	Description En	Description Fr	Remark
1	2	<b>L7003145FO</b>	Spoke guard 24''	Flasque Øint 145 Øext 600mm	
2	12	<b>L7003XXXFO</b>	Clips for spoke guard	Clips flasque de roue	
3	4	<b>L0014XXXFO</b>	Reflector	Catadioptré	NOT COMPATIBLE WITH SPINERGY
4	1	<b>L7121XXXFO</b>	Kit 4 reflectors	Kit 4 catadioptrés	NOT COMPATIBLE WITH SPINERGY
5	1	<b>L7120XXXFO</b>	Kit spoke guards 24'' (pair)	Kit flasques de roues 24'' (paire)	

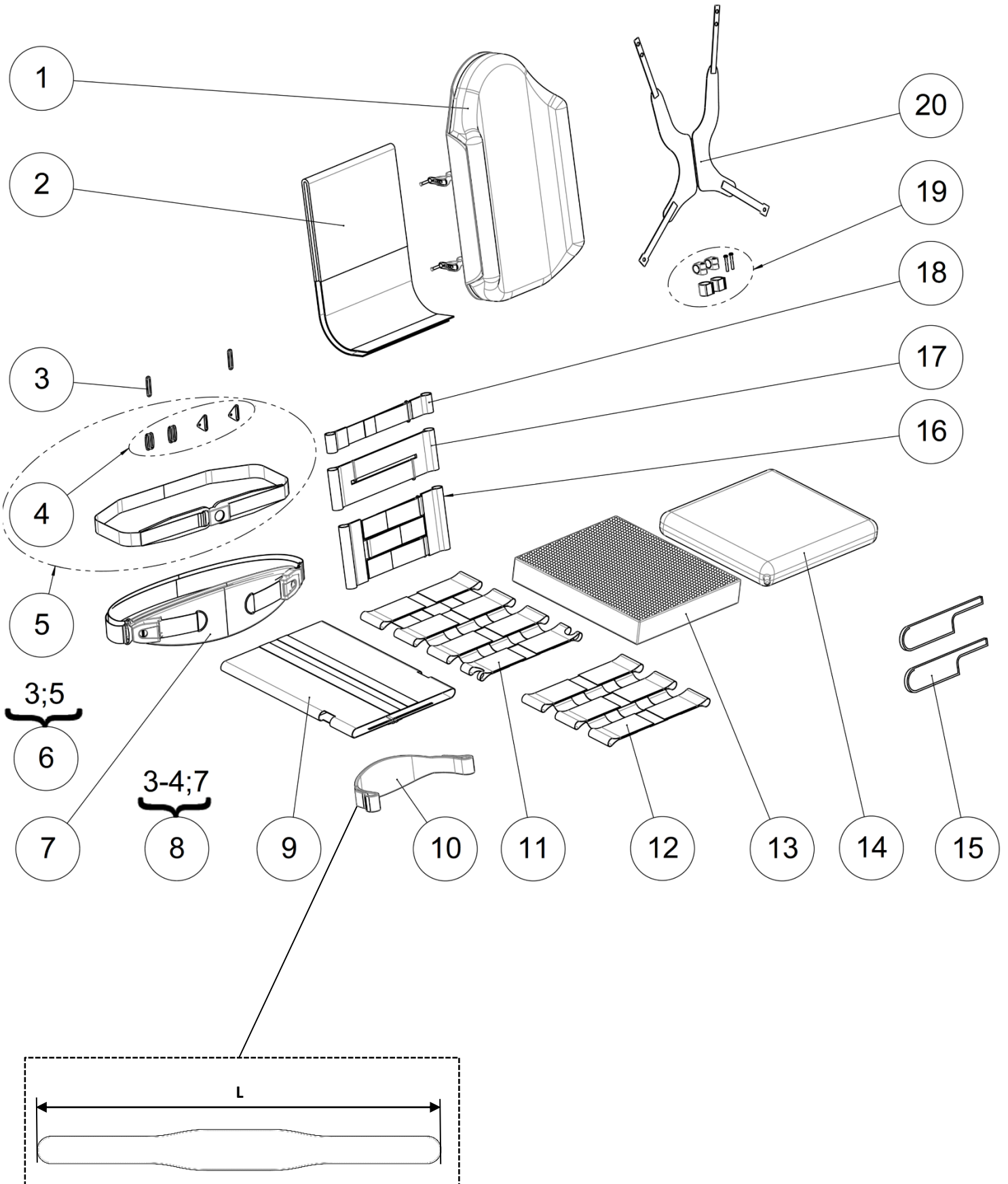
Brakes



<b>LSR</b>	<b>SPARE PART CATALOG</b>		 
Item N° <b>323237</b>	Revision <b>B</b>	Date <b>29/07/2015</b>	Page <b>67</b> of <b>79</b>
<b>Brakes</b>			

<b>Brakes</b>					
Pos	Qty	Stock Code	Description En	Description Fr	Remark
1	1	<b>L1231RXXFO</b>	Right brake	Frein droit	
2	1	<b>L1231LXXFO</b>	Left brake	Frein gauche	
3	1	<b>VIS-CBHC5X20ZN</b>	Hexagon socket button head screw M5x20	Vis tête bombée M5x20 six pans creux	
4	1	<b>L1126XXXFO</b>	Brake lever for hinged handle	Rallonge poignée frein escamotable	
5	1	<b>RON-M5ZN</b>	Plain washer Ø5	Rondelle plate M Ø5	
6	1	<b>ECR-HFR5ZN</b>	Prevailing torque type hexagon nut M5	Ecrou frein M5	
7	1	<b>L1125XXXFO</b>	Kit brake extension (pair)	Kit extension de frein (paire)	

Textiles





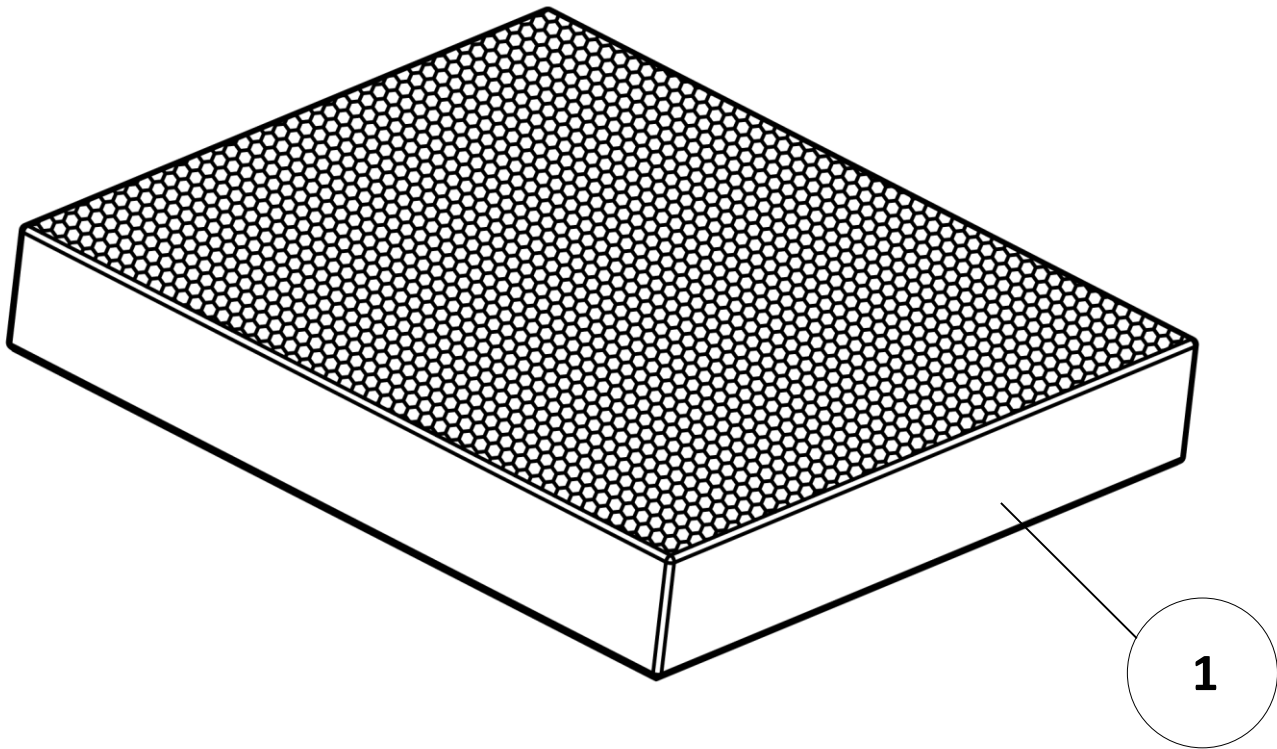




## Textiles

## Textiles

Pos	Qty	Stock Code	Description En	Description Fr	Remark
1	1		Varilite backrest	Dossier Varilite	See all sizes p.72
2	1	<b>L6005X36FO</b>	Standard backrest cover size 36 cm	Couvre dossier standard taille 36 cm	
		<b>L6005X40FO</b>	Standard backrest cover size 40 cm	Couvre dossier standard taille 40 cm	
		<b>L6005X44FO</b>	Standard backrest cover size 44-48 cm	Couvre dossier standard taille 44-48 cm	
		<b>L6005H40FO</b>	Extended backrest cover size 36-40 cm	Couvre dossier rehaussé taille 36-40 cm	
		<b>L6005H44FO</b>	Extended backrest cover size 44 cm	Couvre dossier rehaussé taille 44 cm	
		<b>L6005H48FO</b>	Extended backrest cover size 48 cm	Couvre dossier rehaussé taille 48 cm	
3	2	<b>L6008XXXFO</b>	Metal ring	Boucle métallique	
4	1	<b>N-POBAS50</b>	Fixation kit	Kit de fixation	
5	1		Bodypoint chest strap S/M	Ceinture ventrale S&M	NOT FOR SALE N-POBAS30
			Bodypoint chest strap L	Ceinture ventrale L	NOT FOR SALE N-POBAS31
6	1	<b>322914</b>	Kit Bodypoint chest strap S/M	Kit ceinture ventrale S&M	
		<b>322915</b>	Kit Bodypoint chest strap L	Kit ceinture ventrale L	
7	1		Bodypoint large abdominal strap	Sangle abdominale	NOT FOR SALE N-POBAS40
8	1	<b>322916</b>	Kit Bodypoint large abdominal strap	Kit sangle abdominale	
9	1	<b>L6006X40FO</b>	Adjustable tense seat size 36-40 cm	Assise en toile tendue taille 36-40 cm	
		<b>L6006X44FO</b>	Adjustable tense seat size 44-48 cm	Assise en toile tendue taille 44-48 cm	
10	1	<b>N-POMOL05</b>	Padded calf panel M	Sangle mollet rembourrée M	L = 890 mm
		<b>N-POMOL06</b>	Padded calf panel L	Sangle mollet rembourrée L	L = 1000 mm
11	1	<b>L6001XX4FO</b>	Four-strap seat for size 44-48 cm	Assise 4 sangles taille 44-48 cm	
12	1	<b>L6001XX3FO</b>	Three-strap seat for size 36-40 cm	Assise 3 sangles taille 36-40 cm	
13	1		Seat cushion visco	Coussin visco	See all sizes p.70
14	1		Varilite cushion	Coussin Varilite	See all sizes p.72
15	1	<b>L1228XXXFO</b>	Right sandow cover	Housse droite pour sandow	
		<b>L1234XXXFO</b>	Left sandow cover	Housse gauche pour sandow	
16	1	<b>L6002XX3FO</b>	Universal three-strap backrest stay	Sous-dossier 3 sangles taille unique	
17	1	<b>L6002XX2FO</b>	Universal two-strap backrest stay	Sous-dossier 2 sangles taille unique	
18	1	<b>L6002XX1FO</b>	Universal one-strap backrest stay	Sous-dossier 1 sangle taille unique	
19	1	<b>N-PODOS01</b>	Framesaver clamp	Adaptateur tubulaire dossier	
20	1	<b>N-POTRO20</b>	Trunk harness stayflex S large-men	Harnais bustier stayflex S large-homme	To be install on belt fixing kit L9029XXXFO (page 22)
		<b>N-POTRO21</b>	Trunk harness stayflex M large-men	Harnais bustier stayflex M large-homme	
		<b>N-POTRO22</b>	Trunk harness stayflex L large-men	Harnais bustier stayflex L large-homme	
		<b>N-POTRO23</b>	Trunk harness stayflex XL large-men	Harnais bustier stayflex XL large-homme	
		<b>N-POTRO31</b>	Trunk harness stayflex M narrow-women	Harnais bustier stayflex M étroit-femme	
		<b>N-POTRO32</b>	Trunk harness stayflex L narrow-women	Harnais bustier stayflex L étroit-femme	
<b>N-POTRO33</b>	Trunk harness stayflex XL narrow-women	Harnais bustier stayflex XL étroit-femme			

<b>LSR</b>	<b>SPARE PART CATALOG</b>		 
Item N° <b>323237</b>	Revision <b>B</b>	Date <b>29/07/2015</b>	Page <b>70</b> of <b>79</b>
Textiles		Seat cushion visco	



<b>LSR</b>	<b>SPARE PART CATALOG</b>		 
Item N° <b>323237</b>	Revision <b>B</b>	Date <b>29/07/2015</b>	Page <b>71</b> of <b>79</b>
Textiles		Seat cushion visco	

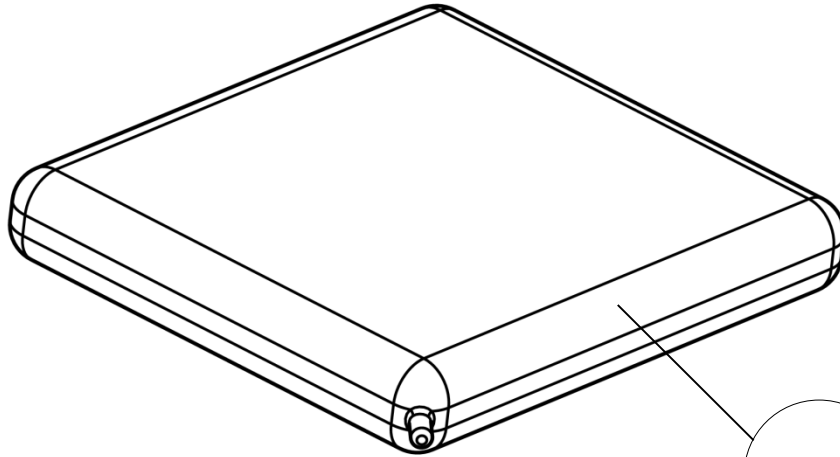
### Seat cushion visco

Pos	Qty	Stock Code	Description En	Description Fr	Remark
1	1	<b>L6110X36FO</b>	Seat cushion visco size 36x40x7 cm	Coussin visco taille 36x40x7 cm	
		<b>321243</b>	Seat cushion visco size 36x47x7 cm	Coussin visco taille 36x47x7 cm	
		<b>321244</b>	Seat cushion visco size 36x53x7 cm	Coussin visco taille 36x53x7 cm	
		<b>L6110X40FO</b>	Seat cushion visco size 40x45x7 cm	Coussin visco taille 40x45x7 cm	
		<b>L6110X4048</b>	Seat cushion visco size 40x48x7 cm	Coussin visco taille 40x48x7 cm	
		<b>321248</b>	Seat cushion visco size 40x53x7 cm	Coussin visco taille 40x53x7 cm	
		<b>L6110X44FO</b>	Seat cushion visco size 44x45x7 cm	Coussin visco taille 44x45x7 cm	
		<b>L6110X4448</b>	Seat cushion visco size 44x48x7 cm	Coussin visco taille 44x48x7 cm	
		<b>321251</b>	Seat cushion visco size 44x53x7 cm	Coussin visco taille 44x53x7 cm	
		<b>L6110X48FO</b>	Seat cushion visco size 48x48x7 cm	Coussin visco taille 48x48x7 cm	
		<b>321253</b>	Seat cushion visco size 48x53x7 cm	Coussin visco taille 48x53x7 cm	

Textiles

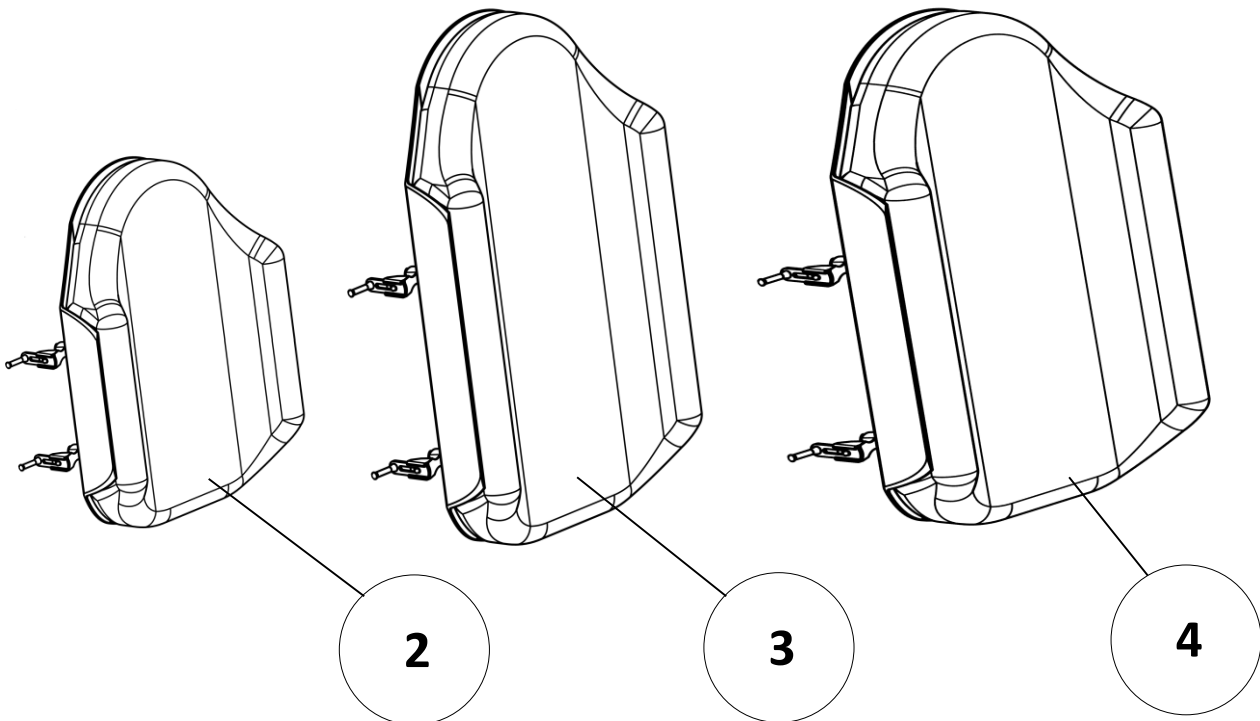
Varilite accessories

Varilite cushion



1

Varilite backrest



2

3

4



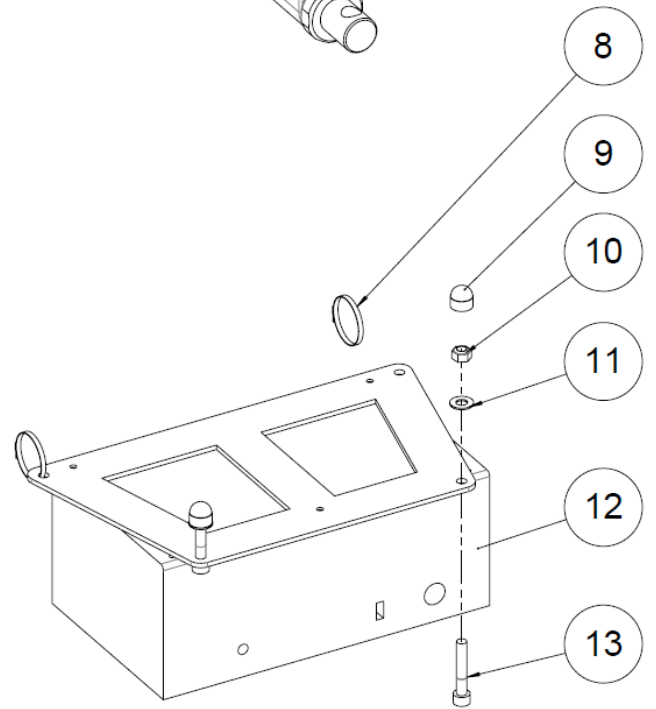
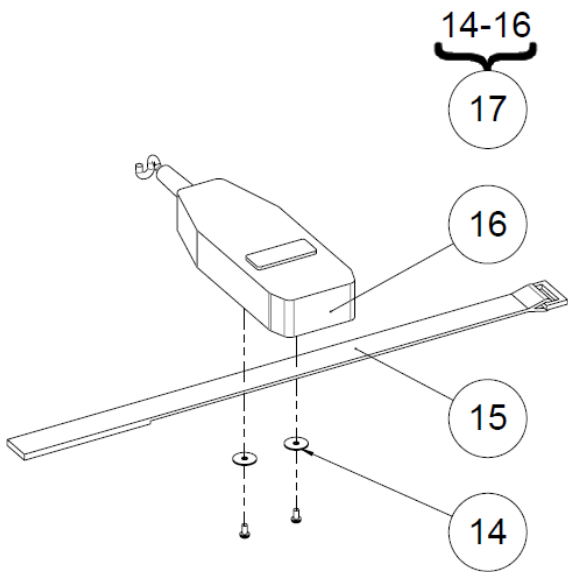
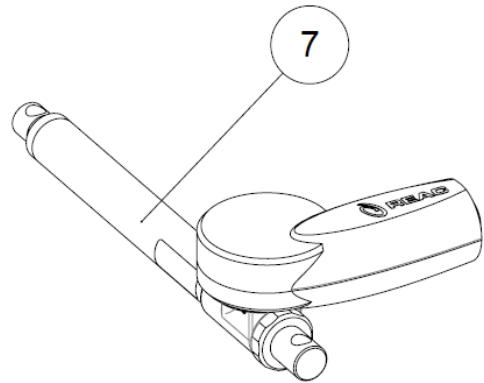
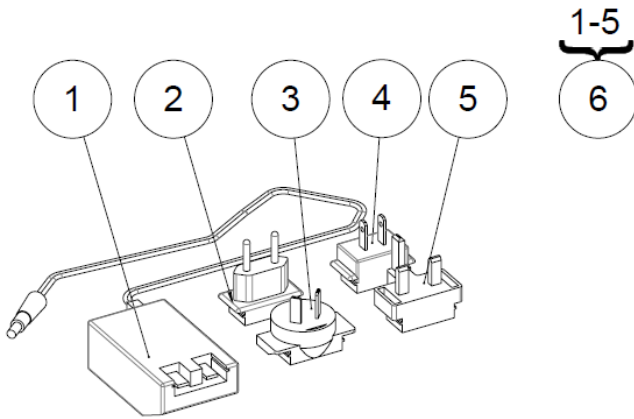
Textiles

Varilite accessories

## Varilite accessories

Pos	Qty	Stock Code	Description En	Description Fr	Remark		
1	1	<b>N-COZOI02</b>	Cushion Varilite ZOID 35x40 cm	Coussin Varilite ZOID 35x40 cm			
		<b>N-COZOI03</b>	Cushion Varilite ZOID 40x40 cm	Coussin Varilite ZOID 40x40 cm			
		<b>N-COZOI04</b>	Cushion Varilite ZOID 40x45 cm	Coussin Varilite ZOID 40x45 cm			
		<b>N-COZOI05</b>	Cushion Varilite ZOID 45x45 cm	Coussin Varilite ZOID 45x45 cm			
		<b>N-COZOI06</b>	Cushion Varilite ZOID 45x40 cm	Coussin Varilite ZOID 45x40 cm			
		<b>N-COZOI09</b>	Cushion Varilite ZOID 45x50 cm	Coussin Varilite ZOID 45x50 cm			
		<b>N-COZOI07</b>	Cushion Varilite ZOID 50x45 cm	Coussin Varilite ZOID 50x45 cm			
		<b>N-COZOI08</b>	Cushion Varilite ZOID 50x50 cm	Coussin Varilite ZOID 50x50 cm			
		<b>N-COEVO03</b>	Cushion Varilite EVOLUTION 35x40 cm	Coussin Varilite EVOLUTION 35x40 cm			
		<b>N-COEVO035</b>	Cushion Varilite EVOLUTION 35x45 cm	Coussin Varilite EVOLUTION 35x45 cm			
		<b>N-COEVO04</b>	Cushion Varilite EVOLUTION 40x40 cm	Coussin Varilite EVOLUTION 40x40 cm			
		<b>N-COEVO05</b>	Cushion Varilite EVOLUTION 40x45 cm	Coussin Varilite EVOLUTION 40x45 cm			
		<b>N-COEVO06</b>	Cushion Varilite EVOLUTION 40x50 cm	Coussin Varilite EVOLUTION 40x50 cm			
		<b>N-COEVO065</b>	Cushion Varilite EVOLUTION 43x43 cm	Coussin Varilite EVOLUTION 43x43 cm			
		<b>N-COEVO07</b>	Cushion Varilite EVOLUTION 45x40 cm	Coussin Varilite EVOLUTION 45x40 cm			
		<b>N-COEVO08</b>	Cushion Varilite EVOLUTION 45x45 cm	Coussin Varilite EVOLUTION 45x45 cm			
		<b>N-COEVO09</b>	Cushion Varilite EVOLUTION 45x50 cm	Coussin Varilite EVOLUTION 45x50 cm			
		<b>N-COEVO010</b>	Cushion Varilite EVOLUTION 50x40 cm	Coussin Varilite EVOLUTION 50x40 cm			
		<b>N-COEVO011</b>	Cushion Varilite EVOLUTION 50x45 cm	Coussin Varilite EVOLUTION 50x45 cm			
		<b>N-COEVO012</b>	Cushion Varilite EVOLUTION 50x50 cm	Coussin Varilite EVOLUTION 50x50 cm			
		2	1	<b>N-COSTR04</b>	Cushion Varilite STRATUS 35x40 cm	Coussin Varilite STRATUS 35x40 cm	
				<b>N-COSTR05</b>	Cushion Varilite STRATUS 40x40 cm	Coussin Varilite STRATUS 40x40 cm	
<b>N-COSTR06</b>	Cushion Varilite STRATUS 40x45 cm			Coussin Varilite STRATUS 40x45 cm			
<b>N-COSTR07</b>	Cushion Varilite STRATUS 43x43 cm			Coussin Varilite STRATUS 43x43 cm			
<b>N-COSTR08</b>	Cushion Varilite STRATUS 45x40 cm			Coussin Varilite STRATUS 45x40 cm			
<b>N-COSTR09</b>	Cushion Varilite STRATUS 45x45 cm			Coussin Varilite STRATUS 45x45 cm			
<b>N-COSTR10</b>	Cushion Varilite STRATUS 50x45 cm			Coussin Varilite STRATUS 50x45 cm			
<b>N-COSTR11</b>	Cushion Varilite STRATUS 50x50 cm			Coussin Varilite STRATUS 50x50 cm			
<b>N-COEVO33</b>	Backrest Varilite EVOLUTION 36 cm			Dossier Varilite EVOLUTION 36 cm			
<b>N-COEVO34</b>	Backrest Varilite EVOLUTION 38 cm			Dossier Varilite EVOLUTION 38 cm			
<b>N-COEVO35</b>	Backrest Varilite EVOLUTION 40 cm			Dossier Varilite EVOLUTION 40 cm			
3	1	<b>N-COEVO36</b>	Backrest Varilite EVOLUTION 43 cm	Dossier Varilite EVOLUTION 43 cm			
		<b>N-COEVO37</b>	Backrest Varilite EVOLUTION 45 cm	Dossier Varilite EVOLUTION 45 cm			
		<b>N-COEVO38</b>	Backrest Varilite EVOLUTION 50 cm	Dossier Varilite EVOLUTION 50 cm			
		<b>N-COEVO13</b>	Backrest Varilite EVOLUTION tall 36 cm	Dossier Varilite EVOLUTION haut 36 cm			
		<b>N-COEVO14</b>	Backrest Varilite EVOLUTION tall 38 cm	Dossier Varilite EVOLUTION haut 38 cm			
4	1	<b>N-COEVO15</b>	Backrest Varilite EVOLUTION tall 40 cm	Dossier Varilite EVOLUTION haut 40 cm			
		<b>N-COEVO16</b>	Backrest Varilite EVOLUTION tall 43 cm	Dossier Varilite EVOLUTION haut 43 cm			
		<b>N-COEVO17</b>	Backrest Varilite EVOLUTION tall 45 cm	Dossier Varilite EVOLUTION haut 45 cm			
		<b>N-COEVO18</b>	Backrest Varilite EVOLUTION tall 50 cm	Dossier Varilite EVOLUTION haut 50 cm			
4	1	<b>N-COEVO43</b>	Backrest Varilite EVOLUTION deep 36 cm	Dossier Varilite EVOLUTION profond 36 cm			
		<b>N-COEVO44</b>	Backrest Varilite EVOLUTION deep 38 cm	Dossier Varilite EVOLUTION profond 38 cm			
		<b>N-COEVO45</b>	Backrest Varilite EVOLUTION deep 40 cm	Dossier Varilite EVOLUTION profond 40 cm			
		<b>N-COEVO46</b>	Backrest Varilite EVOLUTION deep 43 cm	Dossier Varilite EVOLUTION profond 43 cm			
		<b>N-COEVO47</b>	Backrest Varilite EVOLUTION deep 45 cm	Dossier Varilite EVOLUTION profond 45 cm			
<b>N-COEVO48</b>	Backrest Varilite EVOLUTION deep 50 cm	Dossier Varilite EVOLUTION profond 50 cm					

Electronic



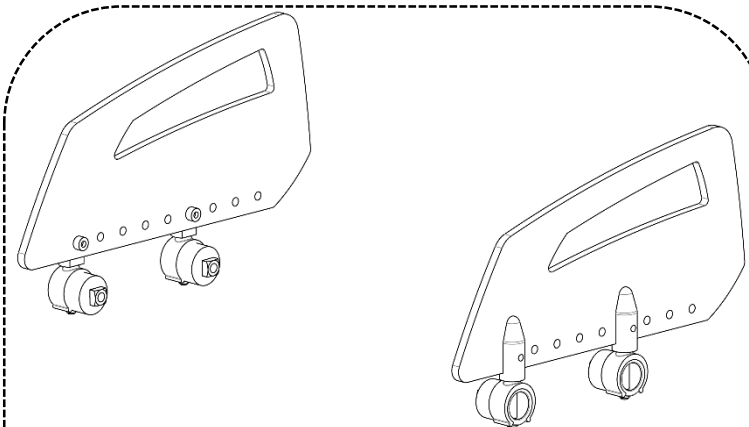
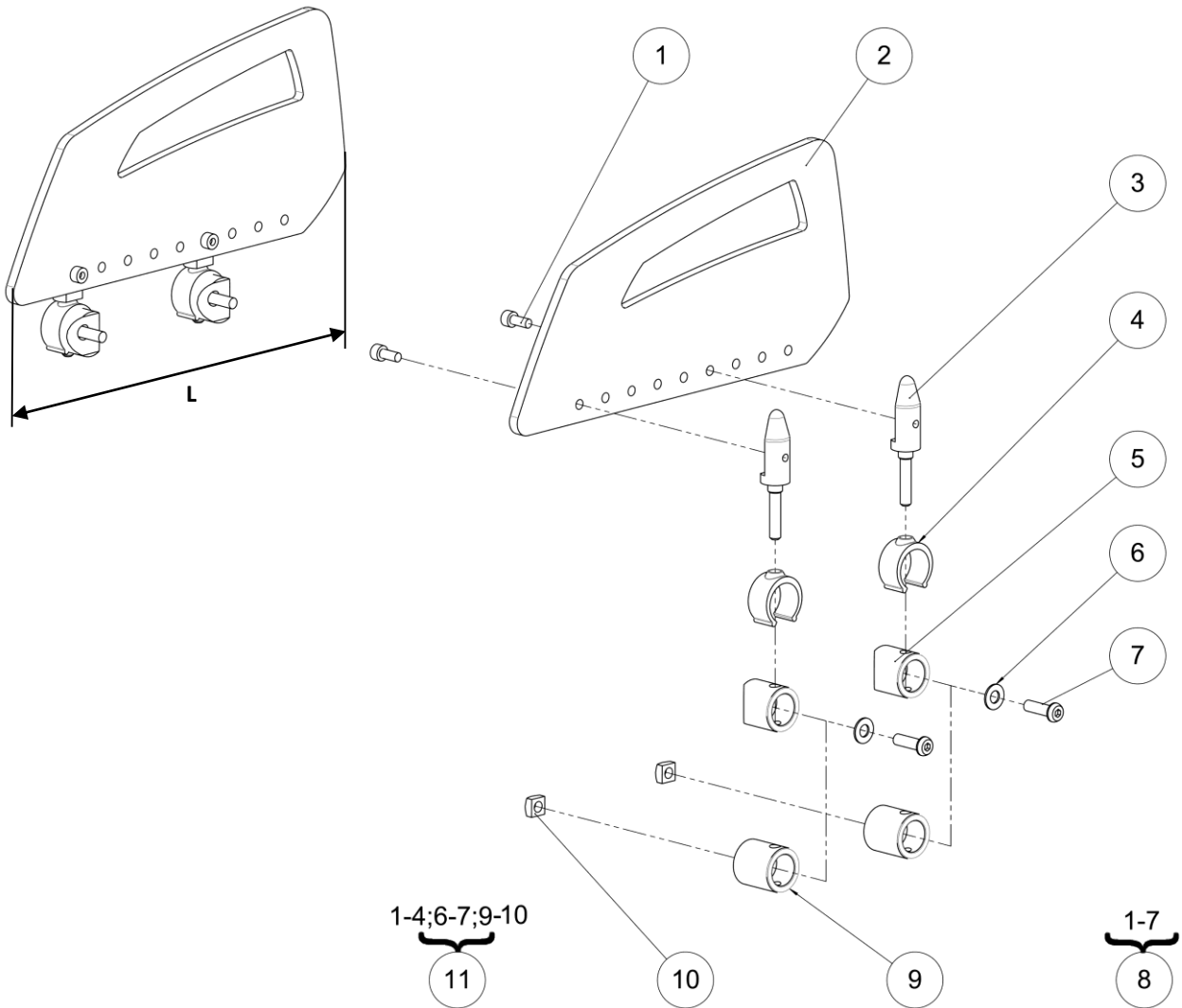
Electronic

## Electronic

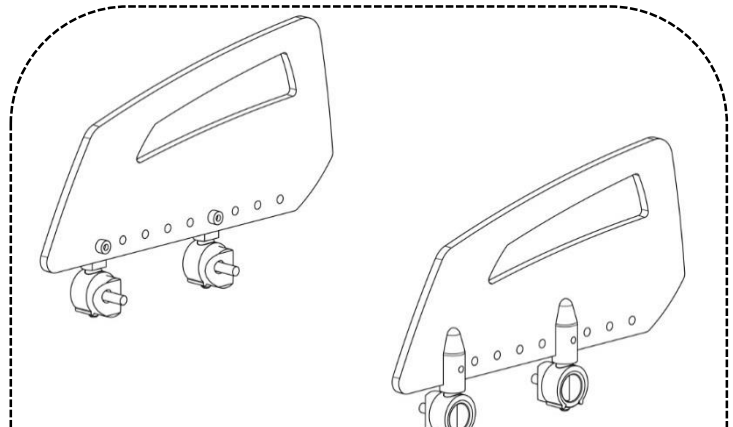
Pos	Qty	Stock Code	Description En	Description Fr	Remark
1	1		Charger for standing up 24V	Base chargeur 24V avec témoin	NOT FOR SALE L5002SXXFO
2	1	<b>L5003EURFO</b>	European Plug	Plug primaire Europe	
3	1	<b>L5003AUSFO</b>	Australian Plug	Plug primaire Australie	
4	1	<b>L5003USAFO</b>	USA Plug	Plug primaire USA	
5	1	<b>L5003UKXFO</b>	UK Plug	Plug primaire UK	
6	1	<b>322917</b>	Kit charger for standing up 24V	Kit chargeur 24V avec témoin	
7	1	<b>L1207XXXFO</b>	REAC RE25.3 actuator	Vérin REAC RE25.3	
8	2	<b>L0021XXXFO</b>	Rilsan collar	Collier rilsan	
9	2	<b>C0215XXXFO</b>	Nut cap M6	Cache écrou M6	
10	2	<b>ECR-HFR6ZN</b>	Prevailing torque type hexagon nut M6	Ecrou frein M6	
11	2	<b>RON-M6ZN</b>	Plain washer Ø6	Rondelle plate M Ø6	
12	1	<b>L1220XXXFO</b>	Control box CB01	Boitier control CB01	
13	2	<b>VIS-CHC6X35ZN</b>	Hexagon socket head cap screw M6x35	Vis tête cylindrique M6x35 six pans creux	
14	2	<b>RON-LL3ZN</b>	Fender washer Ø3	Rondelle plate LL Ø3	
15	1	<b>L6007XXXFO</b>	Velcro strap + Ring	Attache velcro + anneau	
16	1		Stand-up remote control	Télécommande verticalisation	NOT FOR SALE L5005XXXFO
17	1	<b>322889</b>	Kit stand-up remote control	Kit télécommande de verticalisation	



Side guards



  
**Kit O9010XXXFO**  
**used only with**  
**kit UNITRACK 322175**  
**(see pos.19 .p.11)**



  
**Kit C9010XXXFO**  
**not compatible with**  
**kit UNITRACK 322175**  
**(see pos.19 .p.11)**



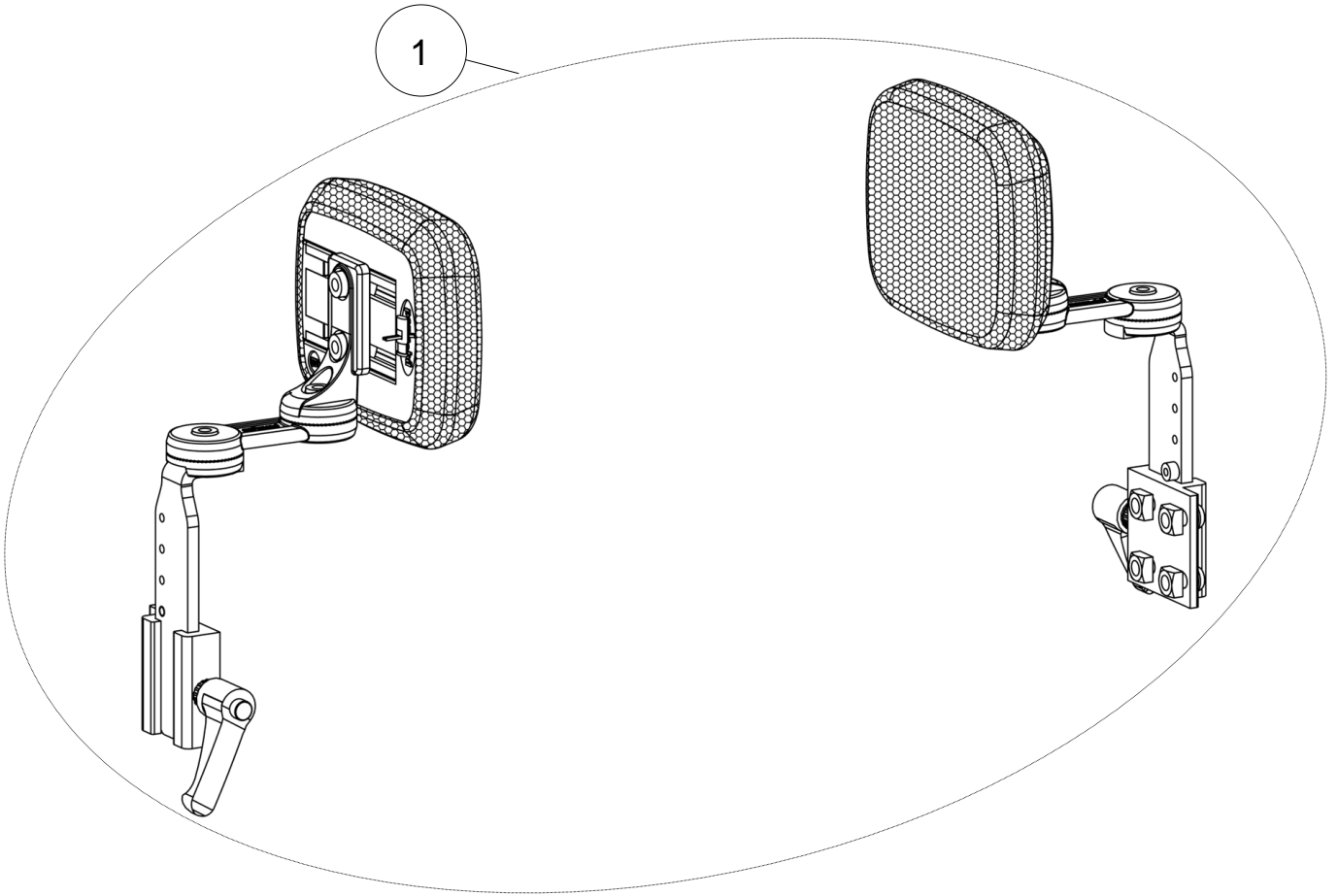
## Side guards

## Side guards

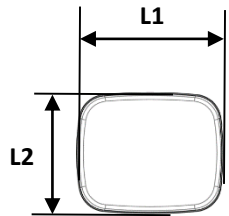
Pos	Qty	Stock Code	Description En	Description Fr	Remark
1	4	<b>VIS-CHC5X12ZN</b>	Hexagon socket head cap screw M5x12	Vis tête cylindrique M5x12 six pans creux	
2	2	<b>C9111XXXFO</b> <b>C9111XSHFO</b>	Clothes guard long Clothes guard short	Protège vêtements long Protège vêtements court	L = 254mm L = 213mm
3	4	<b>L9012XXXFO</b>	Side-guard spindle	Axe protection latérale	
4	4	<b>L0009XXXFO</b>	Tube lock	Verrou de tube	
5	4	<b>C9011XXXFO</b>	Spacer tube	Entretoise dru usinée	
6	4	<b>RON-M6ZN</b>	Plain washer Ø6	Rondelle plate M Ø6	
7	4	<b>VIS-CBHC6X20ZN</b>	Hexagon socket button head screw M6x20	Vis tête bombée M6x20 six pans creux	
8	1	<b>C9010XXXFO</b> <b>C9010XSHFO</b>	Kit side guards long (pair) Kit side guards short (pair)	Kit protection latérale long (paire) Kit protection latérale court (paire)	L = 254mm L = 213mm NC with kit UNITRACK 322175 (see pos.19 p.11)
9	4	<b>O9002XXXFO</b>	Spacer n°1	Entretoise n°1	
10	4	<b>612947</b>	Square nut M6	Ecrou carré M6	
11	1	<b>O9010XXXFO</b> <b>O9010XSHFO</b>	Kit side guards long (pair) Kit side guards short (pair)	Kit protection latérale long (paire) Kit protection latérale court (paire)	L = 254mm L = 213mm Use only with kit UNITRACK 322175 (see pos.19 p.11)

Lateral support

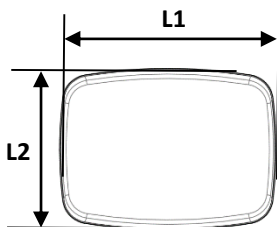
1



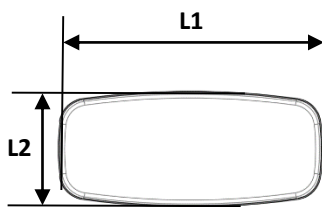
PAD B



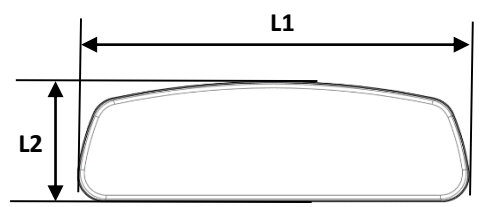
PAD J





PAD C



PAD G



<b>LSR</b>	<b>SPARE PART CATALOG</b>		 
Item N° <b>323237</b>	Revision <b>B</b>	Date <b>29/07/2015</b>	Page <b>79</b> of <b>79</b>
Lateral support			

<b>Lateral support</b>					
Pos	Qty	Stock Code	Description En	Description Fr	Remark
1	1	<b>P1822692</b>	Kit lateral support S (pair)	Kit support lateral S (paire)	Pad B: L1xL2 = 110x90 mm Pad J: L1xL2 = 165x120 mm Pad C: L1xL2 = 200x90 mm Pad G: L1xL2 = 300x90 mm
		<b>P1822695</b>	Kit lateral support M (pair)	Kit support lateral M (paire)	
		<b>P1822696</b>	Kit lateral support L (pair)	Kit support lateral L (paire)	
		<b>P1822698</b>	Kit lateral support XL (pair)	Kit support lateral XL (paire)	