





LSR	SPARE PART CATALOG	 	
Item N° 323237	Revision C	Date 08/09/2016	Page 1 of 79

LSR

Spare Part Catalog



LSR	SPARE PART CATALOG		 
Item N° 323237	Revision C	Date 08/09/2016	Page 2 of 79

LSR

Stand-Up and Relax Wheelchair

Permobil Group's Head Office
Permobil AB
 Box 120
 861 23 Timrå
 Sweden

Tel +46 60 59 59 00
 Fax + 46 60 57 52 50

E-mail info@permobil.se

Lifestand Groupe Permobil
 5 rue Clément Ader
 69740 Genas
 France



Tel. +33 (0)4 37 26 27 28
 Fax +33 (0)4 37 26 27 29

Email info@permobil.fr

Rev.	Publication date	Wheelchair S/N (from-to)
A	27/02/2014	70000 - 71199
B	29/07/2015	70000 - 71199
C	08/09/2016	71200 - XXXXX

Summary

Frame	7
Gas strut clevis assembly	9
Upper seat assembly	11
Lower seat assembly	13
Hook sub assembly.....	15
Backrest	17
Backrest Tubes	19
Armrests	21
Headrest	23
Worktable	25
Trunk support	27
Side hub	29
Legrest.....	31
Footrest supports.....	33
Fixed footrest	35
Footrest flip up and fold away	37
Dual footrest flip up	39
Dual footrest flip up and fold away.....	41
Dual footrest flip up and fold away plates	43
Kneerest	45
Gas strut.....	47
Wheels	49
Front wheels	51
Rear wheel 24''	53
Lifestand rear wheel 24''	55
Rear wheel 24'' Spinergy.....	57
Rear wheel 26''	59
Anti-tipper wheels.....	61
Rear wheels accessories.....	63
Brakes.....	65
Textiles	67
Seat cushion visco	69

LSR	SPARE PART CATALOG		 
Item N° 323237	Revision C	Date 08/09/2016	Page 4 of 79

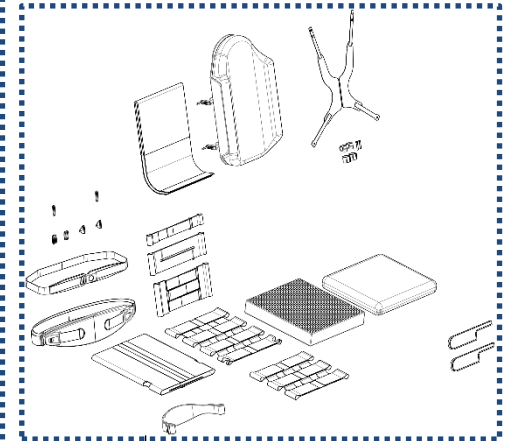
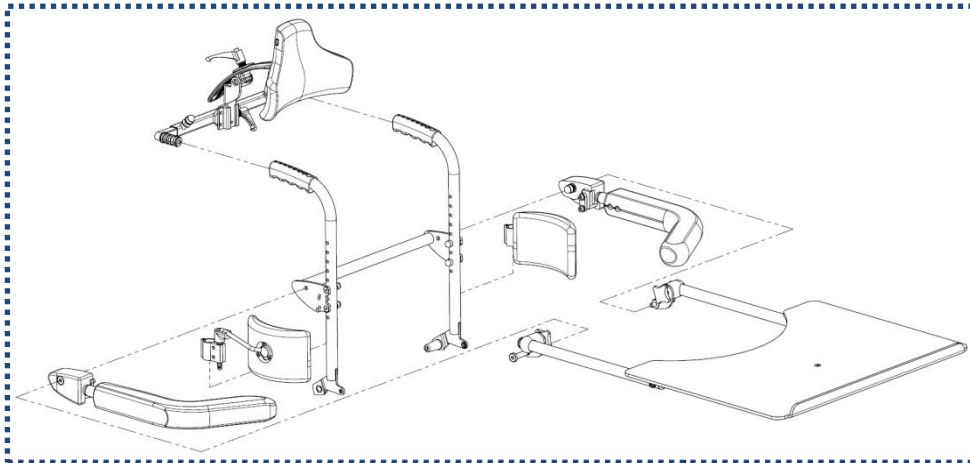
Varilite accessories..... 71

Electronic 73

Limitation systems 75

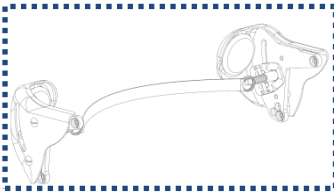
Side guards..... 77

Lateral support..... 79

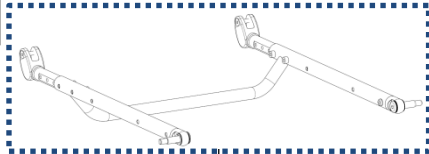


P 16-27

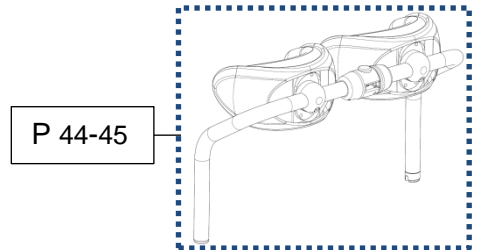
P 66-71



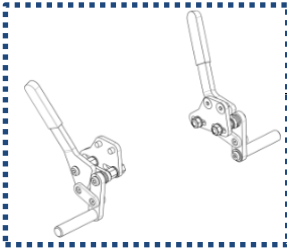
P 28-29



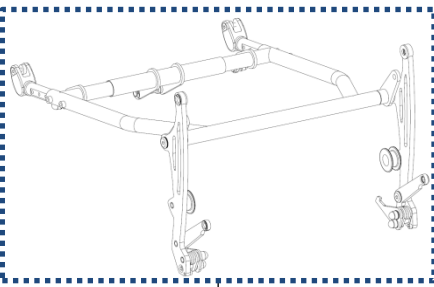
P 10-11



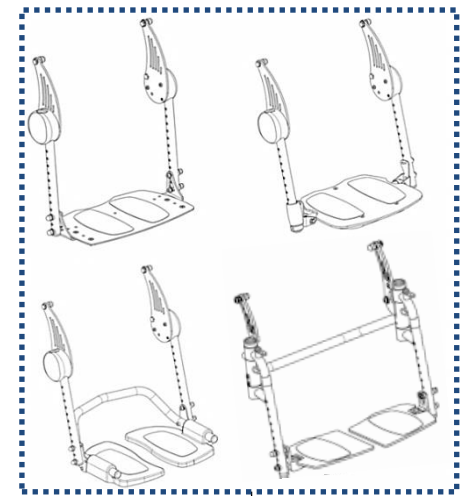
P 44-45



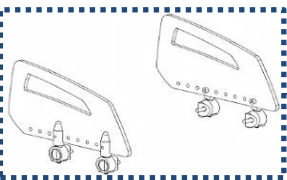
P 64-65



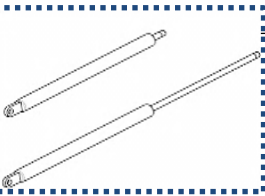
P 12-15



P 30-43

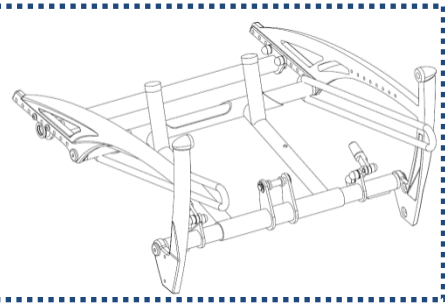


P 76-77

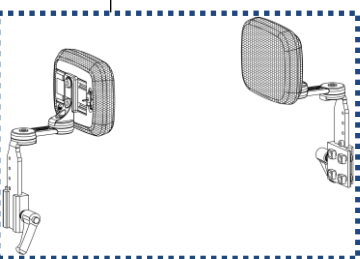


P 46-47

P 6-9

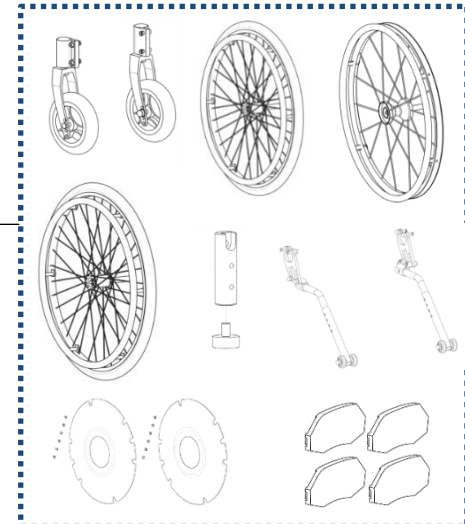
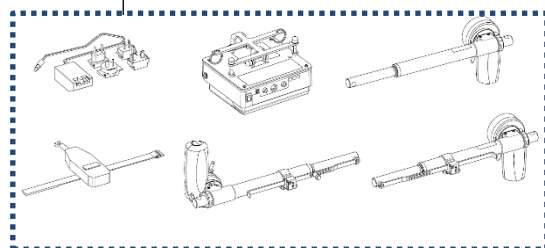


P 78-79

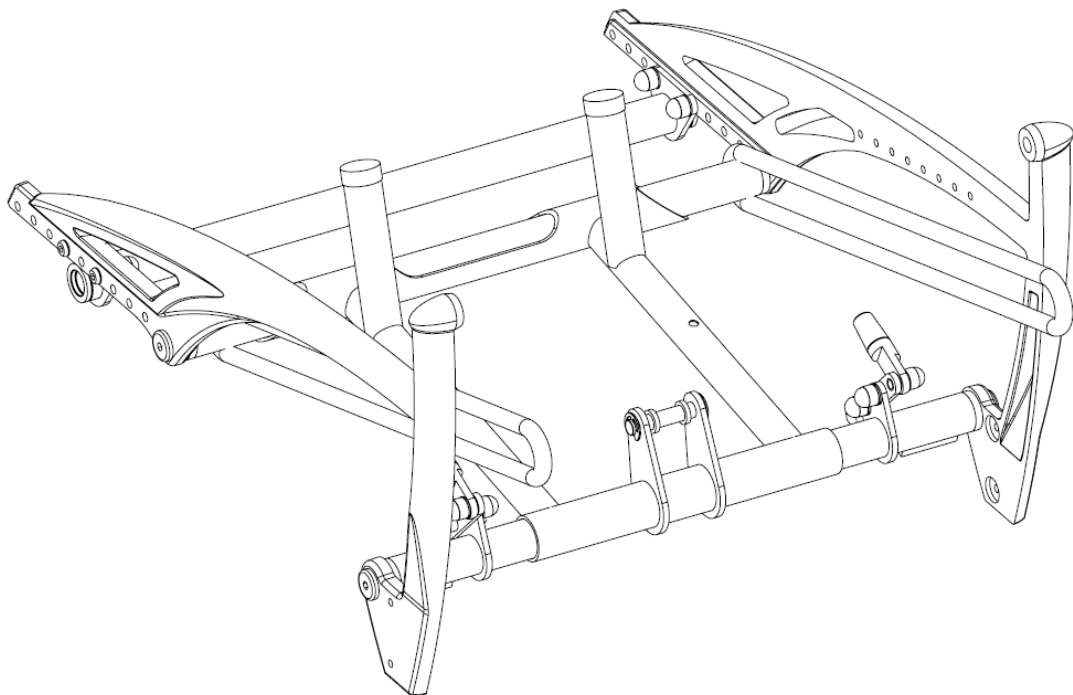
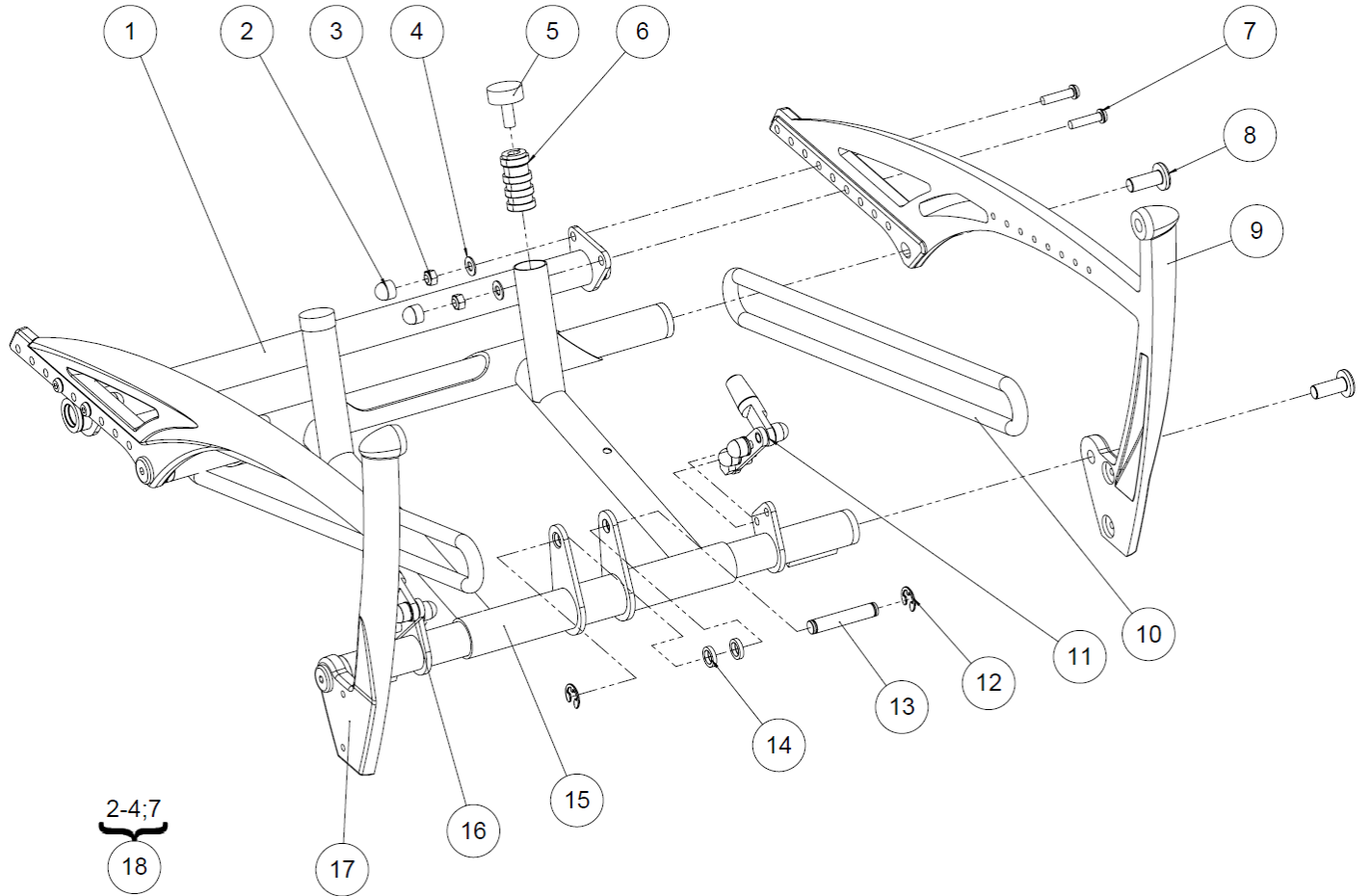


P 72-75

P 48-63




Frame

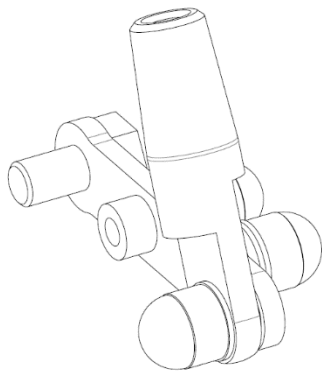
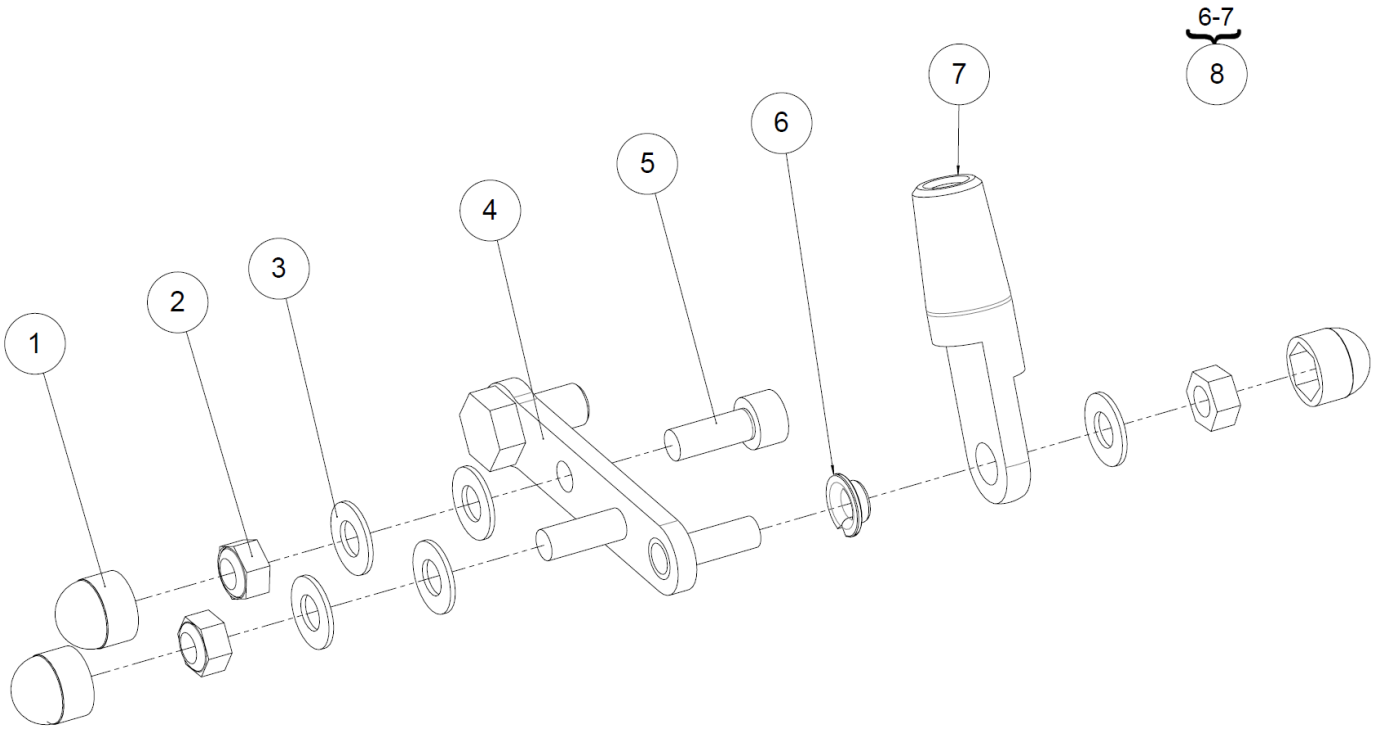


Frame

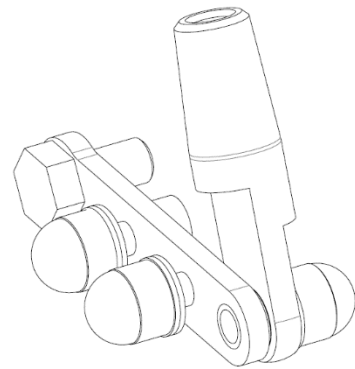
Frame

Pos	Qty	Stock Code	Description En	Description Fr	Remark
1	1	A1002X36PN	Rear wheel axle size 36 cm	Essieu arrière taille 36 cm	
		A1002X40PN	Rear wheel axle size 40 cm	Essieu arrière taille 40 cm	
		A1002X44PN	Rear wheel axle size 44 cm	Essieu arrière taille 44 cm	
		A1002X48PN	Rear wheel axle size 48 cm	Essieu arrière taille 48 cm	
2	4	C0215XXXFO	Nut cap M6	Cache écrou M6	
3	4	ECR-HFR6ZN	Prevailling torque type hexagon nut M6	Ecrou frein M6	
4	4	RON-M6ZN	Plain washer Ø6	Rondelle plate M Ø6	
5	2	L1007LSEFO	Shock absorber 20mm	Amortisseur 20mm	
6	2	L9038XXXFO	Casing Ø20	Douille expansive Ø20	
7	4	VIS-CBHC6X25ZN	Hexagonal socket button head screw M6x25	Vis tête bombée M6X25 six pans creux	
8	4	L1219XXXFO	M10 axle	Axe M10	
9	1	L1200LXXBL	Left frame white	Chassis gauche blanc	
		L1200LXXPN	Left frame black	Chassis gauche noir	
		L1200LXXPB	Left frame blue	Chassis gauche bleu	
		L1200LXXPR	Left frame red	Chassis gauche rouge	
10	2	L1208XXXFO	Sandow	Sandow	
11	1		Gas strut clevis left assembly	Ensemble chape de vérin gauche	See exploded view p.8
12	2	ANN-RAD10RENFO	E-type reinforced ring Ø10	Anneau E radial renforcé Ø10	
13	1	C1008XXXCR	Axle Ø10mm	Axe Ø10mm	
14	2	RON-M10EPAI-PLAS	Spacer Ø10.3xØ15x3mm	Entretoise Ø10.3xØ15x3mm	
15	1	L1205X36FO	Basic frame size 36 cm	Chassis echelle taille 36 cm	
		L1205X40FO	Basic frame size 40 cm	Chassis echelle taille 40 cm	
		L1205X44FO	Basic frame size 44 cm	Chassis echelle taille 44 cm	
		L1205X48FO	Basic frame size 48 cm	Chassis echelle taille 48 cm	
16	1		Gas strut clevis right assembly	Ensemble chape de vérin droit	See exploded view p.8
17	1	L1200RXXBL	Right frame white	Chassis droit blanc	
		L1200RXXPN	Right frame black	Chassis droit noir	
		L1200RXXPB	Right frame blue	Chassis droit bleu	
		L1200RXXPR	Right frame red	Chassis droit rouge	
18	1	323340	Kit fixation rear wheel axle (pair)	Kit fixation essieu arrière (paire)	



LSR	SPARE PART CATALOG		
Item N° 323237	Revision C	Date 08/09/2016	Page 8 of 79
Frame		Gas strut clevis assembly	



Right side




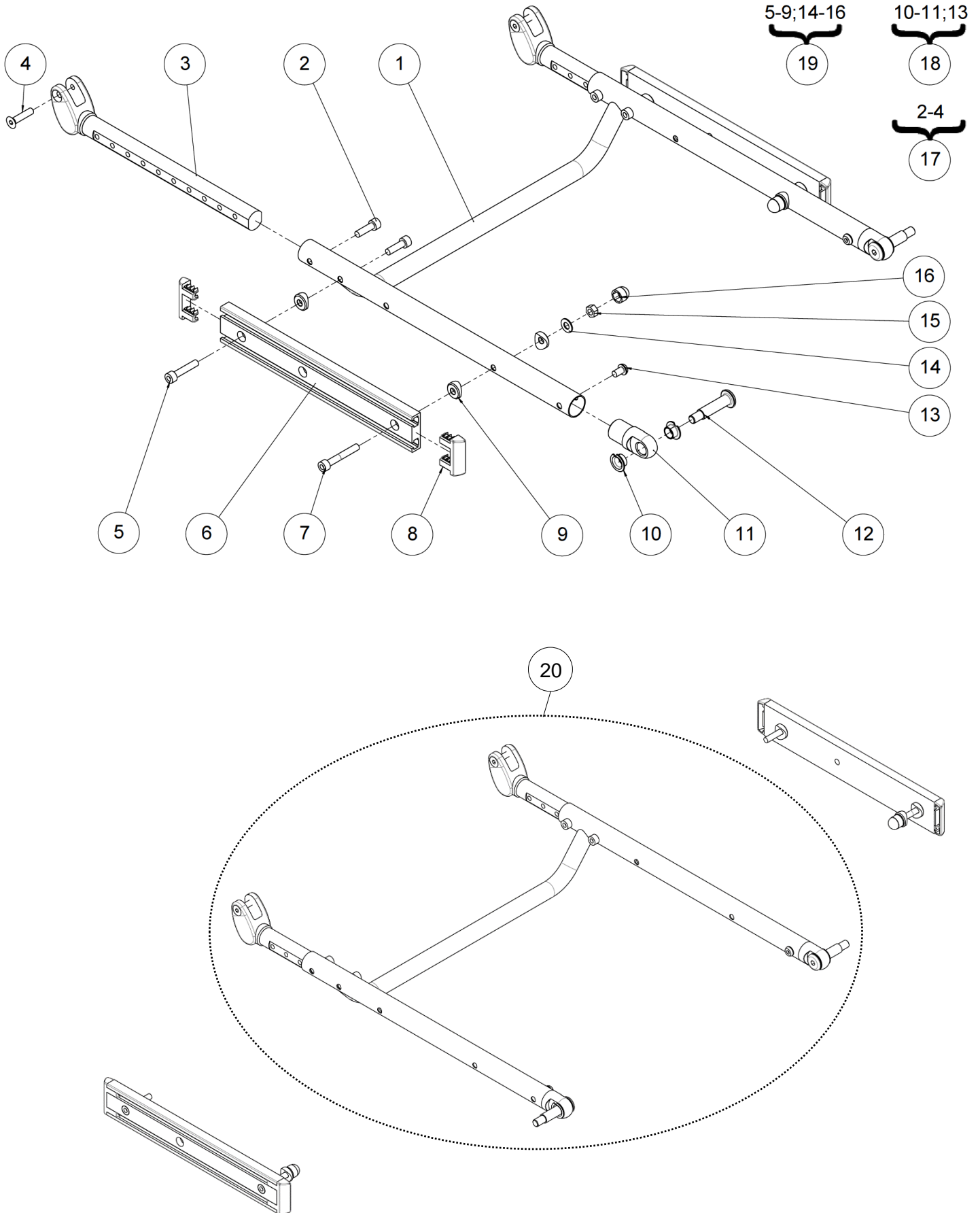
Left side

LSR	SPARE PART CATALOG		 
Item N° 323237	Revision C	Date 08/09/2016	Page 9 of 79
Frame		Gas strut clevis assembly	

Gas strut clevis assembly


Pos	Qty	Stock Code	Description En	Description Fr	Remark
1	6	C0215XXXFO	Nut cap M6	Cache écrou M6	
2	6	ECR-HFR6ZN	Prevaling torque type hexagon nut M6	Ecrou frein M6	
3	10	RON-M6ZN	Plain washer Ø6	Rondelle plate M Ø6	
4	2	L1202XXXFO	Preloading articulated rod	Biellette de précontrainte	
5	2	VIS-CHC6X16ZN	Hexagon socket head cap screw M6x16	Vis à tête cylindrique M6x16 six pans creux	
6	2	L0007060FO	Collar bearing Ø6xØ8x4mm	Coussinet à collerette Ø6xØ8x4mm	
7	2		Gas strut clevis	Chape de vérin	NOT FOR SALE L8110XXXAI
8	2	323348	Kit gas strut clevis (unit)	Kit chape de vérin (l'unité)	

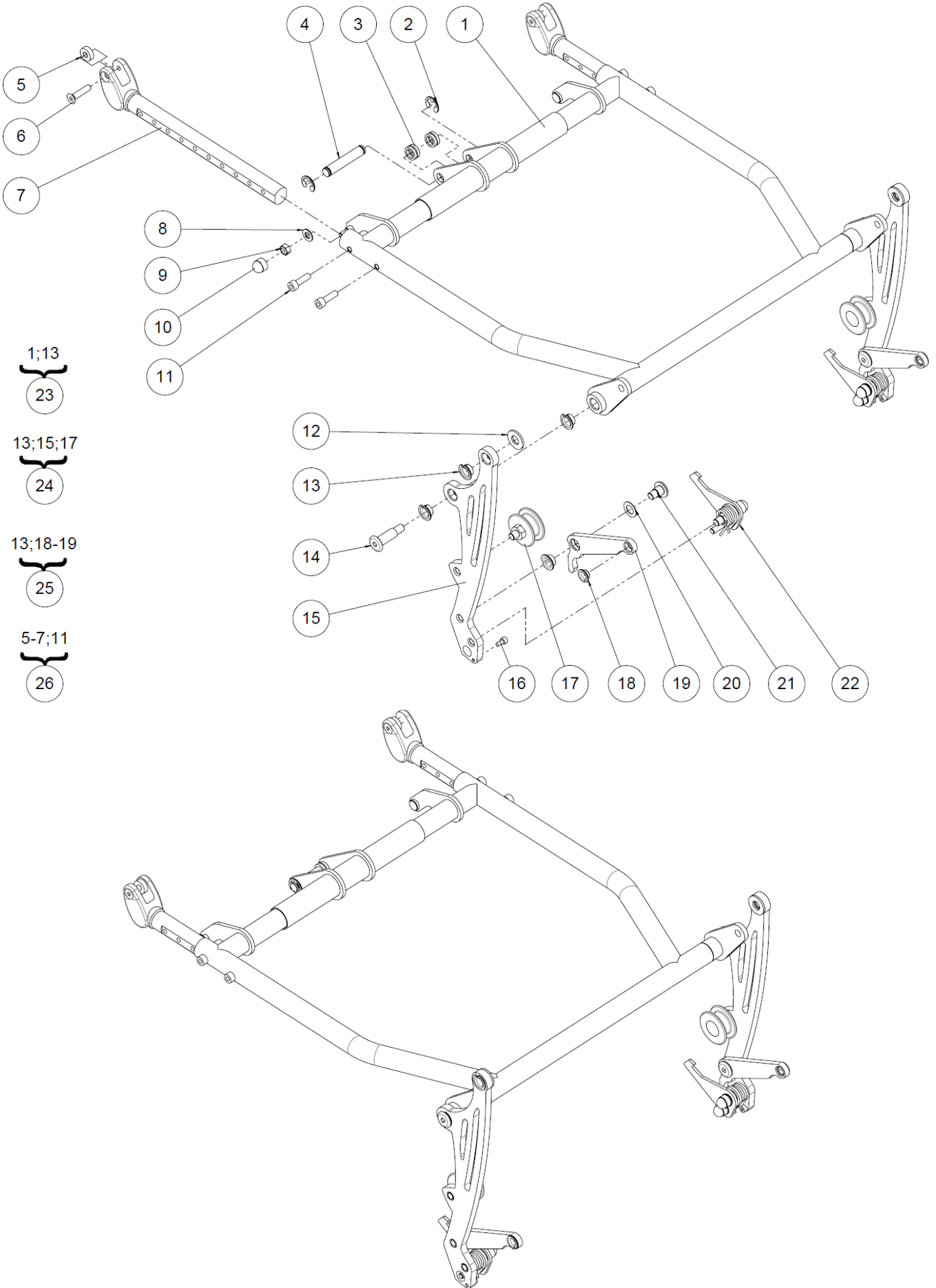
LSR	SPARE PART CATALOG		
Item N° 323237	Revision C	Date 08/09/2016	Page 10 of 79
Seat assembly		Upper seat assembly	



Upper seat assembly

Pos	Qty	Stock Code	Description En	Description Fr	Remark
1	1	L2102X36PN L2102X40PN L2102X44PN L2102X48PN	Upper seat frame size 36 cm Upper seat frame size 40 cm Upper seat frame size 44 cm Upper seat frame size 48 cm	Assise supérieure taille 36 cm Assise supérieure taille 40 cm Assise supérieure taille 44 cm Assise supérieure taille 48 cm	
2	4	VIS-CHC6X20ZN	Hexagon socket head cap screw M6x20	Vis tête cylindrique M6x20 six pans creux	
3	2		Seat depth runner tube	Coulisseau d'assise	NOT FOR SALE L2106XXXAI
4	2	L2108XXXZN	Screw M6x27	Vis coulisseau M6x27	
5	2	VIS-CHC6X30ZN	Hexagon socket head cap screw M6x30	Vis tête cylindrique M6x30 six pans creux	
6	2	321235	Bracket adjustment Lg250mm	Rail UNITRACK Lg250mm	
7	2	VIS-CHC6X40ZN	Hexagon socket head cap screw M6x40	Vis tête cylindrique M6x40 six pans creux	
8	4	315427	Plastic plug 11x40mm	Embout plastique 11x40mm	
9	6	L0002221AI	Concave washer for tube Ø22,1mm	Coupelle pour tube Ø22,1mm	
10	4	L0007100FO	Collar bearing Ø10xØ12x7mm	Coussinet à collerette Ø10xØ12x7mm	
11	2		Upper seat tube lug	Tenon assise supérieure	NOT FOR SALE L2104XXXFO
12	2	L1226XXXFO	Long seat axle	Pivot d'assise long	
13	2	VIS-CBHC6X16ZN	Hexagon socket button head screw M6X16	Vis tête bombée M6x16 six pans creux	
14	2	RON-M6ZN	Plain washer Ø6	Rondelle plate M Ø6	
15	2	ECR-HFR6ZN	Prevailing torque type hexagon nut M6	Ecrou frein M6	
16	2	C0215XXXFO	Nut cap M6	Cache écrou M6	
17	2	322839	Kit upper seat depth runner tube	Kit coulisseau d'assise supérieure	
18	2	322838	Kit upper seat lug	Kit tenon d'assise supérieure	
19	1	322175	Kit UNITRACK (pair)	Kit rail UNITRACK (paire)	
20	1	323350 323351 323352 323353	Kit upper seat size 36 cm Kit upper seat size 40 cm Kit upper seat size 44 cm Kit upper seat size 48 cm	Kit assise supérieure taille 36 cm Kit assise supérieure taille 40 cm Kit assise supérieure taille 44 cm Kit assise supérieure taille 48 cm	


LSR	SPARE PART CATALOG		
Item N° 323237	Revision C	Date 08/09/2016	Page 12 of 79
Seat assembly		Lower seat assembly	

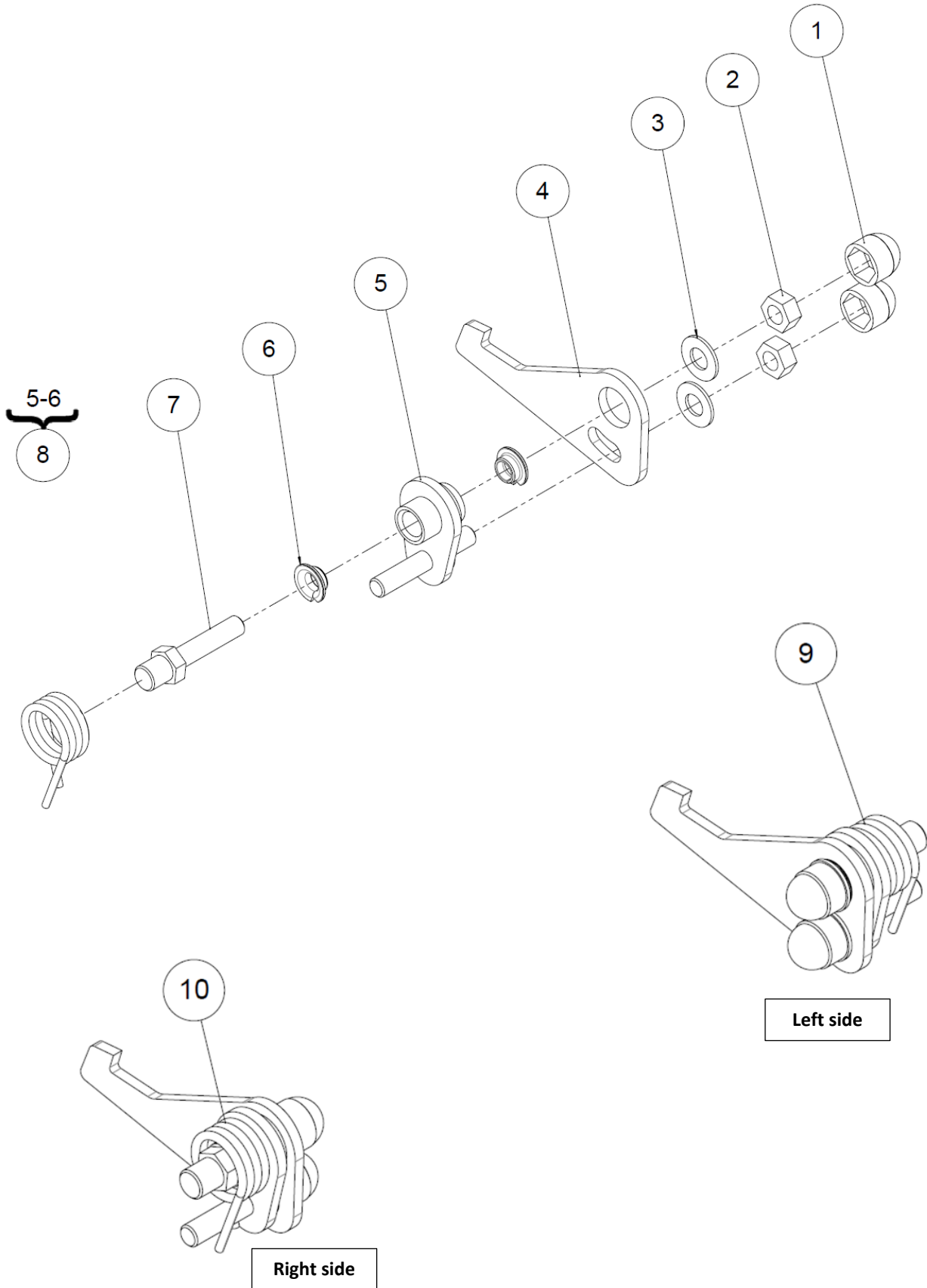






Lower seat assembly

Pos	Qty	Stock Code	Description En	Description Fr	Remark
1	1		Lower seat size 36 cm	Assise inférieure taille 36 cm	NOT FOR SALE L1201X36FO
			Lower seat size 40 cm	Assise inférieure taille 40 cm	NOT FOR SALE L1201X40FO
			Lower seat size 44 cm	Assise inférieure taille 44 cm	NOT FOR SALE L1201X44FO
			Lower seat size 48 cm	Assise inférieure taille 48 cm	NOT FOR SALE L1201X48FO
2	2	ANN-RAD10RENFO	E-type reinforced ring Ø10	Anneau E radial Ø10 renforcé	
3	4	RON-M10EPAI-PLAS	Spacer Ø10.3xØ15x3mm	Entretoise Ø10.3xØ15x3mm	
4	1	C1008XXXCR	Axle Ø10mm	Axe Ø10mm	
5	2	L0123XXXFO	Spacer Ø6,2xØ15x5mm	Entretoise Ø6,2xØ15x5mm	
6	2	L2108XXXZN	Screw M6x27	Vis coulisseau M6x27	
7	2		Seat depth runner tube	Coulisseau d'assise	NOT FOR SALE L2106XXXAI
8	2	RON-M6ZN	Plain washer Ø6	Rondelle plate M Ø6	
9	2	ECR-HFR6ZN	Prevailing torque type hexagon nut M6	Ecrou frein M6	
10	2	C0215XXXFO	Nut cap M6	Cache écrou M6	
11	4	VIS-CHC6X20ZN	Hexagon socket head cap screw M6x20	Vis tête cylindrique M6x20 six pans creux	
12	2	RON-M10ZN	Plain washer Ø10	Rondelle plate M Ø6	
13	8	L0007100FO	Collar bearing Ø10xØ12x7mm	Coussinet à collerette Ø10xØ12x7mm	
14	2	L1211XXXFO	Lower seat axle	Pivot d'assise inférieure	
15	2		Trigger	Balancier	NOT FOR SALE L1204XXXFO
16	2	VIS-CHC4X8ZN	Hexagon socket head cap screw M4x8	Vis tête cylindrique M4x6 six pans creux	
17	2	L1225XXXFO	Fixing pulley for sandow	Pion pour sandow	
18	2	L0007080FO	Collar bearing Ø8xØ10x5,5mm	Coussinet à collerette Ø8xØ10x5,5mm	
19	2		Legrest rod	Biellette de jambier	NOT FOR SALE L1203XXXFO
20	2	RON-Z10FINEPLAS	Nylon washer Ø10,2x18x0,5mm	Rondelle plate nylon Ø10,2x18x0,5mm	
21	2	L1213XXXFO	Axle	Axe	
22	1		Hook sub assembly	Sous ensemble crochet	See exploded view p.14
23	1	323354	Kit lower seat size 36 cm	Kit assise inférieure taille 36 cm	
		323355	Kit lower seat size 40 cm	Kit assise inférieure taille 40 cm	
		323356	Kit lower seat size 44 cm	Kit assise inférieure taille 44 cm	
		323357	Kit lower seat size 48 cm	Kit assise inférieure taille 48 cm	
24	2	323358	Kit trigger	Kit balancier	
25	2	323359	Kit legrest rod	Kit biellette de jambier	
26	2	322848	Kit lower seat depth runner tube	Kit coulisseau d'assise inférieure	

LSR	SPARE PART CATALOG		
Item N° 323237	Revision C	Date 08/09/2016	Page 14 of 79
Seat assembly		Hook sub assembly	

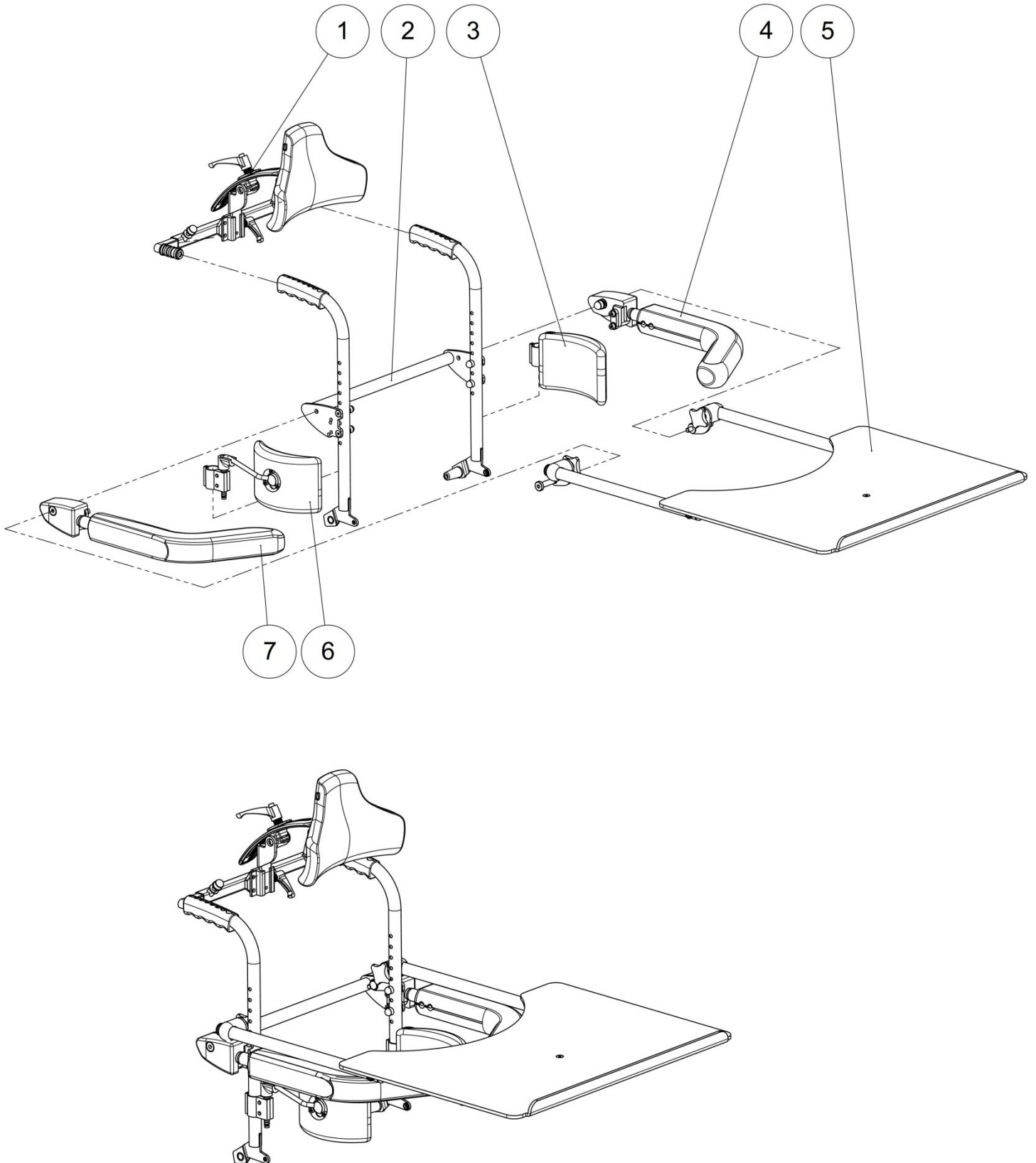


LSR	SPARE PART CATALOG		 
Item N° 323237	Revision C	Date 08/09/2016	Page 15 of 79
Seat assembly		Hook sub assembly	

Hook sub assembly

Pos	Qty	Stock Code	Description En	Description Fr	Remark
1	4	C0215XXXFO	Nut cap M6	Cache écrou M6	
2	4	ECR-HFR6ZN	Prevailing torque type hexagon nut M6	Ecrou frein M6	
3	4	RON-M6ZN	Plain washer Ø6	Rondelle plate M Ø6	
4	2	L1206XXXFO	Lock hook	Crochet de verrouillage	
5	2		Lock cam	Came de verrouillage	NOT FOR SALE L1222XXXFO
6	4	L0007060FO	Collar bearing Ø6xØ8x4mm	Coussinet à collerette Ø6xØ8x4mm	
7	2	L1212XXXFO	Lock axle	Axe de verrou	
8	2	323360	Kit lock cam	Kit came de verrouillage	
9	1	L1224XXXFO	Left spring	Ressort gauche	
10	1	L1223XXXFO	Right spring	Ressort droit	

Backrest

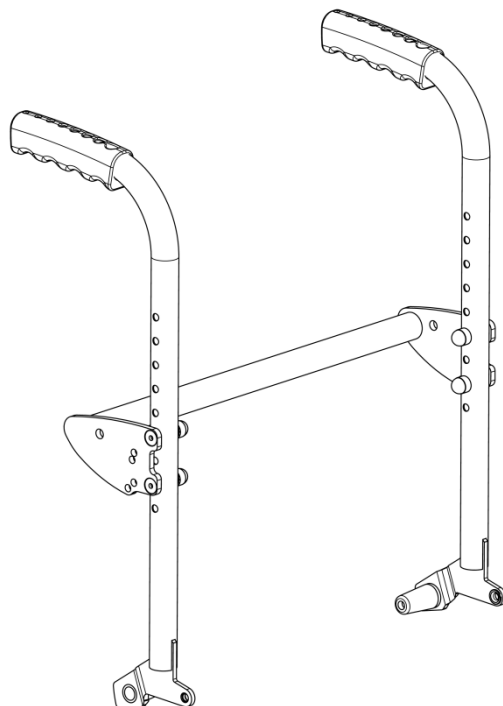
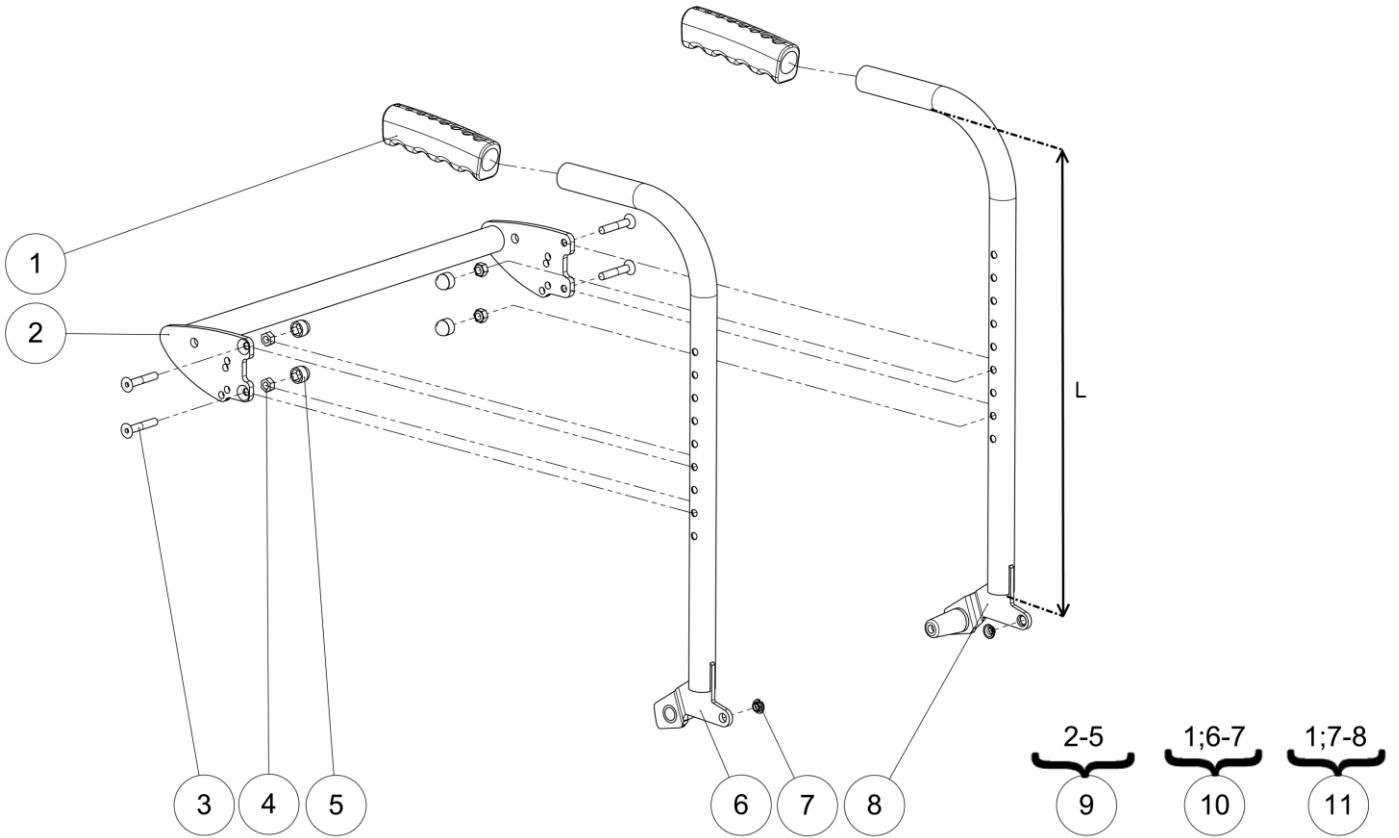




Backrest


Backrest

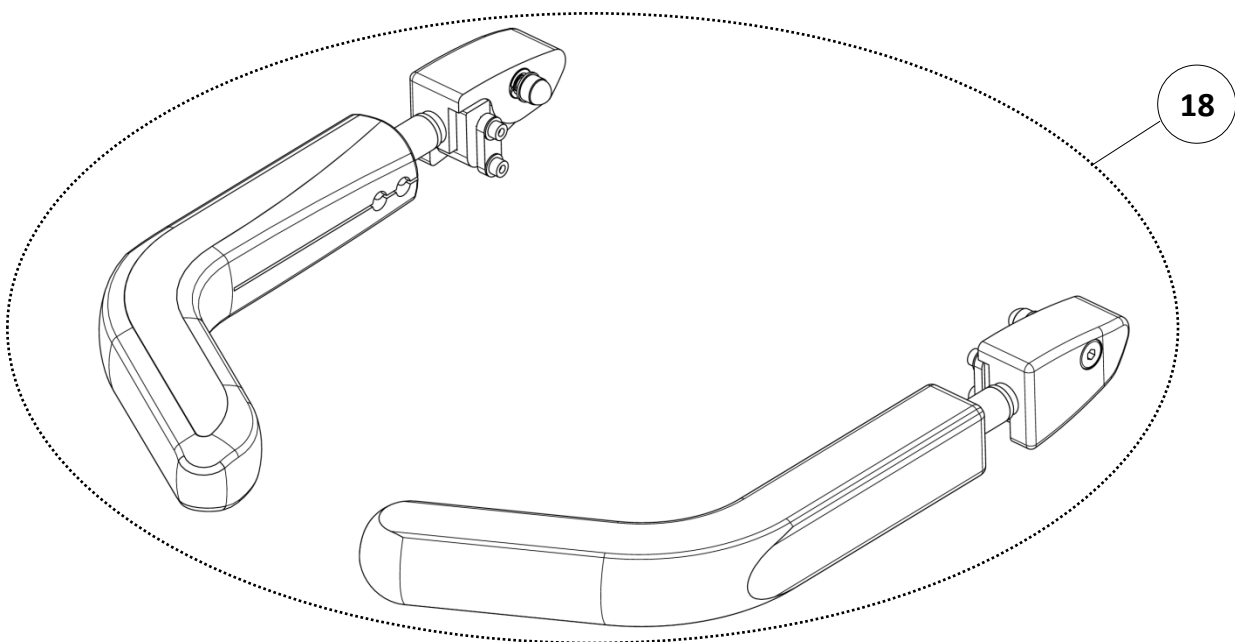
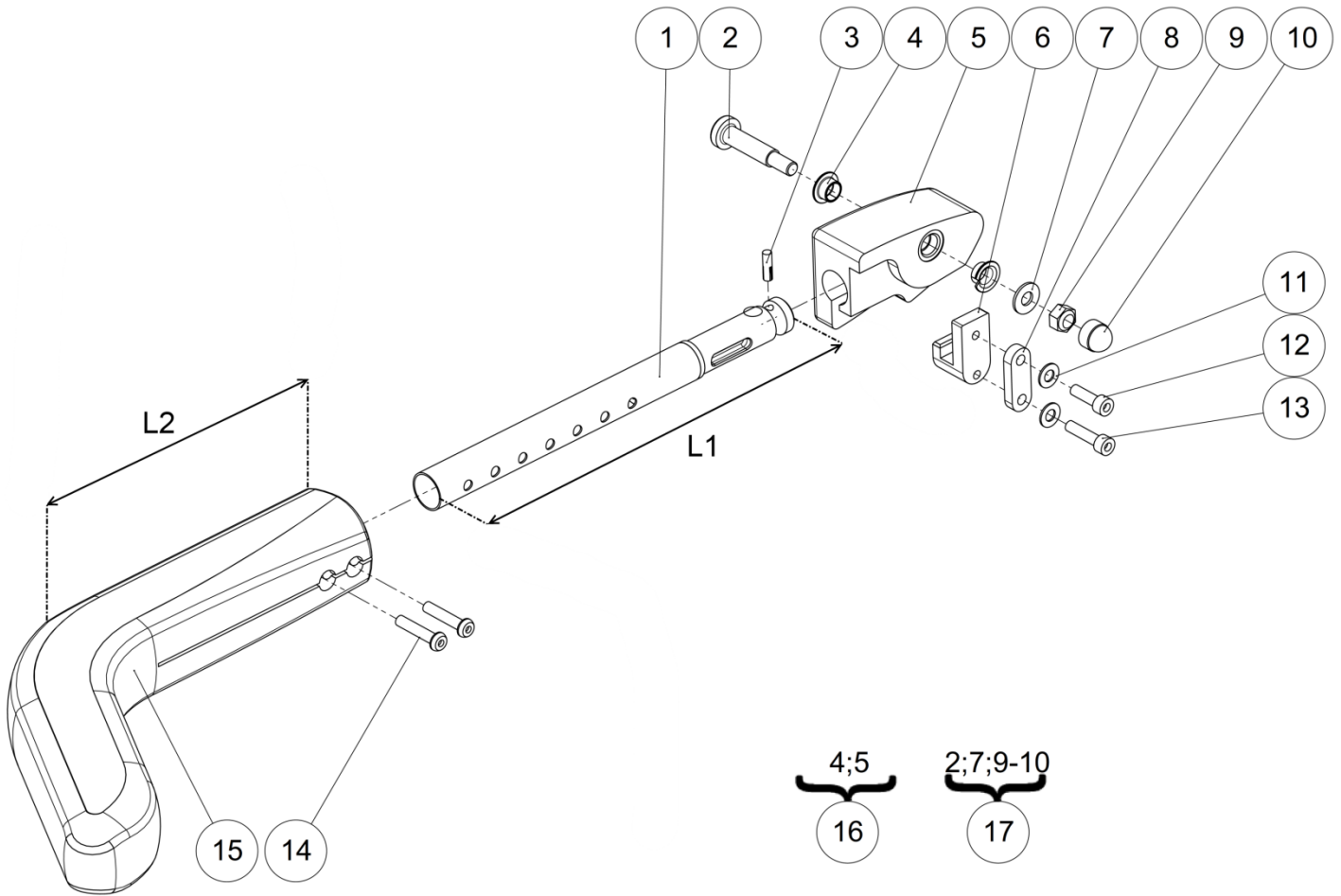
Pos	Qty	Stock Code	Description En	Description Fr	Remark
1	1		Headrest	Appuis tête	See exploded view p.22
2	1		Backrest tubes	Tubes dossier	See exploded view p.18
3	1		Trunk support left	Cale tronc gauche	See exploded view p.26
4	1		Left armrest	Accoudoir gauche	See exploded view p.20
5	1		Worktable	Table de travail	See exploded view p.24
6	1		Trunk support right	Cale tronc droit	See exploded view p.26
7	1		Right armrest	Accoudoir droit	See exploded view p.20



Backrest Tubes

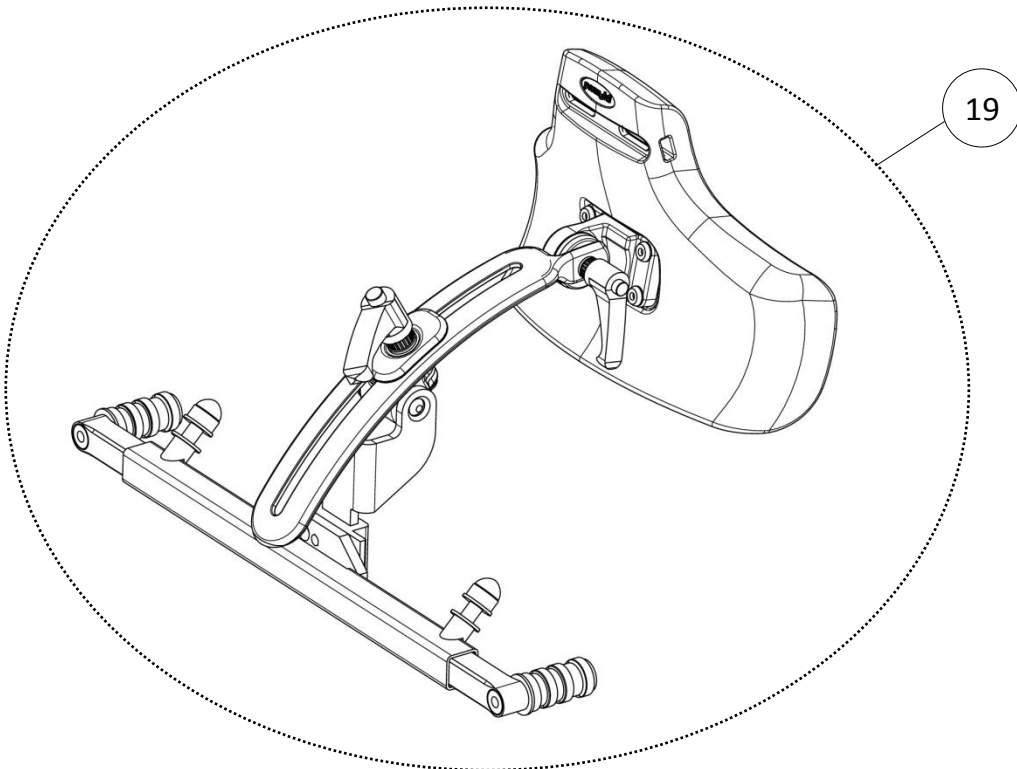
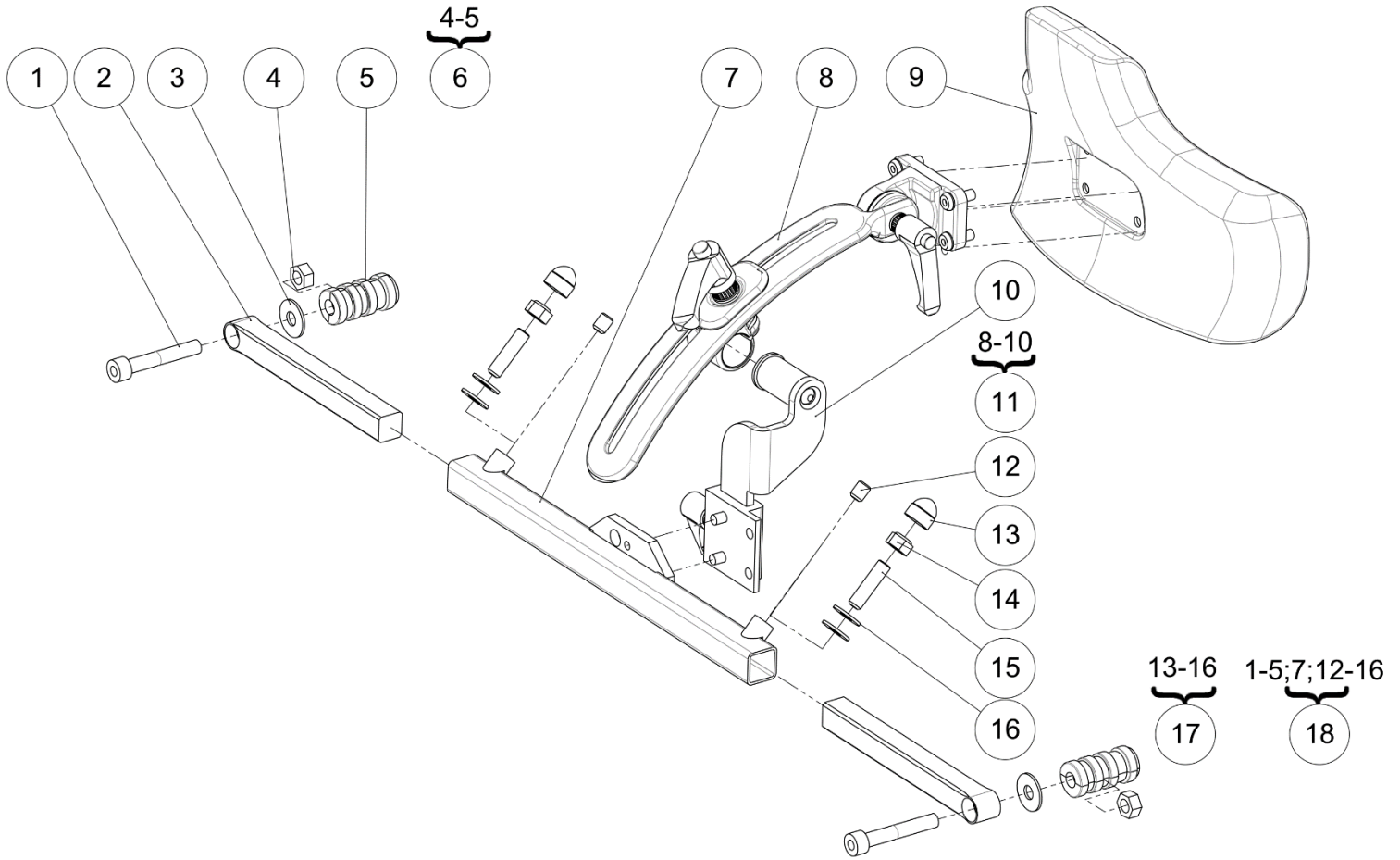
Pos	Qty	Stock Code	Description En	Description Fr	Remark
1	2	L4004ERGFO	Ergonomic handles	Poignées ergonomiques	
2	1	L4157X36PN	Backrest cross tube size 36 cm	Traverse dossier taille 36 cm	
		L4157X40PN	Backrest cross tube size 40 cm	Traverse dossier taille 40 cm	
		L4157X44PN	Backrest cross tube size 44 cm	Traverse dossier taille 44 cm	
		L4157X48PN	Backrest cross tube size 48 cm	Traverse dossier taille 48 cm	
3	4	VIS-FHC6X35ZN	Hexagon socket countersunk head screw M6x35	Vis tête fraisée M6x35 six pans creux	
4	4	ECR-HFR6ZN	Prevailing torque type hexagon nut M6	Ecrou frein M6	
5	4	C0215XXXFO	Nut cap M6	Cache écrou M6	
6	1		Long right backrest tube	Montant dossier long droit	NOT FOR SALE L4102RREP L= 52 cm
			Right backrest tube	Montant dossier droit	NOT FOR SALE L4102RXXPN L= 40 cm
			Short right backrest tube	Montant dossier court droit	NOT FOR SALE L4102RCOPN L= 32 cm
7	2	L0007060FO	Collar bearing $\varnothing 6 \times \varnothing 8 \times 4$ mm	Coussinet à collerette $\varnothing 6 \times \varnothing 8 \times 4$ mm	
8	1		Long left backrest tube	Montant dossier long gauche	NOT FOR SALE L4102LREP L= 52 cm
			Left backrest tube	Montant dossier gauche	NOT FOR SALE L4102LXXPN L= 40 cm
			Short left backrest tube	Montant dossier court gauche	NOT FOR SALE L4102LCOPN L= 32 cm
9	1	322850	Kit backrest crosstube size 36 cm	Kit traverse de dossier taille 36 cm	
		322851	Kit backrest crosstube size 40 cm	Kit traverse de dossier taille 40 cm	
		322852	Kit backrest crosstube size 44 cm	Kit traverse de dossier taille 44 cm	
		322853	Kit backrest crosstube size 48 cm	Kit traverse de dossier taille 48 cm	
10	1	322856	Kit long right backrest tube	Kit montant dossier long droit	L= 52 cm
		322854	Kit right backrest tube	Kit montant dossier droit	L= 40 cm
		322855	Kit short right backrest tube	Kit montant dossier court droit	L= 32 cm
11	1	322859	Kit long left backrest tube	Kit montant dossier long gauche	L= 52 cm
		322857	Kit left backrest tube	Kit montant dossier gauche	L= 40 cm
		322858	Kit short left backrest tube	Kit montant dossier court gauche	L= 32 cm

LSR	SPARE PART CATALOG		
Item N° 323237	Revision C	Date 08/09/2016	Page 20 of 79
Backrest		Armrests	



Armrests

Pos	Qty	Stock Code	Description En	Description Fr	Remark
1	1	L4155RXXZN	Right armrest tube	Tube accoudoir droit	L1=260mm
		L4155RSHZN	Right armrest tube short	Tube accoudoir court droit	L1=210mm
	1	L4155LXXZN	Left armrest tube	Tube accoudoir gauche	L1=260mm
		L4155LSHZN	Left armrest tube short	Tube accoudoir court gauche	L1=210mm
2	2	L4153XXXZN	Armrest nut spindle	Axe épaulé accoudoir	
3	1	GOU-CANN5X18BR	Fluted lock pin G06 Ø5x18mm	Goupille cannelée G06 Ø5x18mm	ONLY ON LSR REMOTE SIDE
4	4	L0007100FO	Collar bearing Ø10xØ12x7mm	Coussinet à collerette Ø10xØ12x7mm	
5	1		Right armrest nut	Noix accoudoir droit	NOT FOR SALE L4152RXXAI
	1		Left armrest nut	Noix accoudoir gauche	NOT FOR SALE L4152LXXAI
6	2	L4154XXXZN	Armrest hook	Crochet accoudoir	
7	2	RON-M8ZN	Plain washer Ø8	Rondelle plate M Ø8	
8	2	L4156XXXPN	Armrest catch	Taquet accoudoir	
9	2	ECR-HFR8ZN	Prevailing torque type hexagon nut M8	Ecrou frein M8	
10	2	C0214XXXFO	Nut cap M8	Cache écrou M8	
11	4	RON-M6ZN	Plain washer Ø6	Rondelle plate M Ø6	
12	2	VIS-CHC6X20ZN	Hexagon socket head cap screw M6x20	Vis tête cylindrique M6x20 six pans creux	
13	2	VIS-CHC6X25ZN	Hexagon socket head cap screw M6x25	Vis tête cylindrique M6x25 six pans creux	
14	4	VIS-CBHC6X30ZN	Hexagon socket button head screw M6x30	Vis tête bombée M6x30 six pans creux	
15	2	L4060XSHFO	Short armrest chest support	Accoudoir appui pectoral court	L2=150mm
		L4060XXXFO	Long armrest chest support	Accoudoir appui pectoral long	L2=200mm
16	1	322860	Kit right armrest nut	Kit noix accoudoir droit	
	1	322861	Kit left armrest nut	Kit noix accoudoir gauche	
17	2	322864	Kit fixation armrest (unit)	Kit de fixation accoudoir (l'unité)	
18	1	L4160XSHMONTE	Kit short armrests (pair)	Kit accoudoirs courts (paire)	L1=210mm L2=150mm
		L4160STDMONTE	Kit long armrests (pair)	Kit accoudoirs longs (paire)	L1=260mm L2=200mm




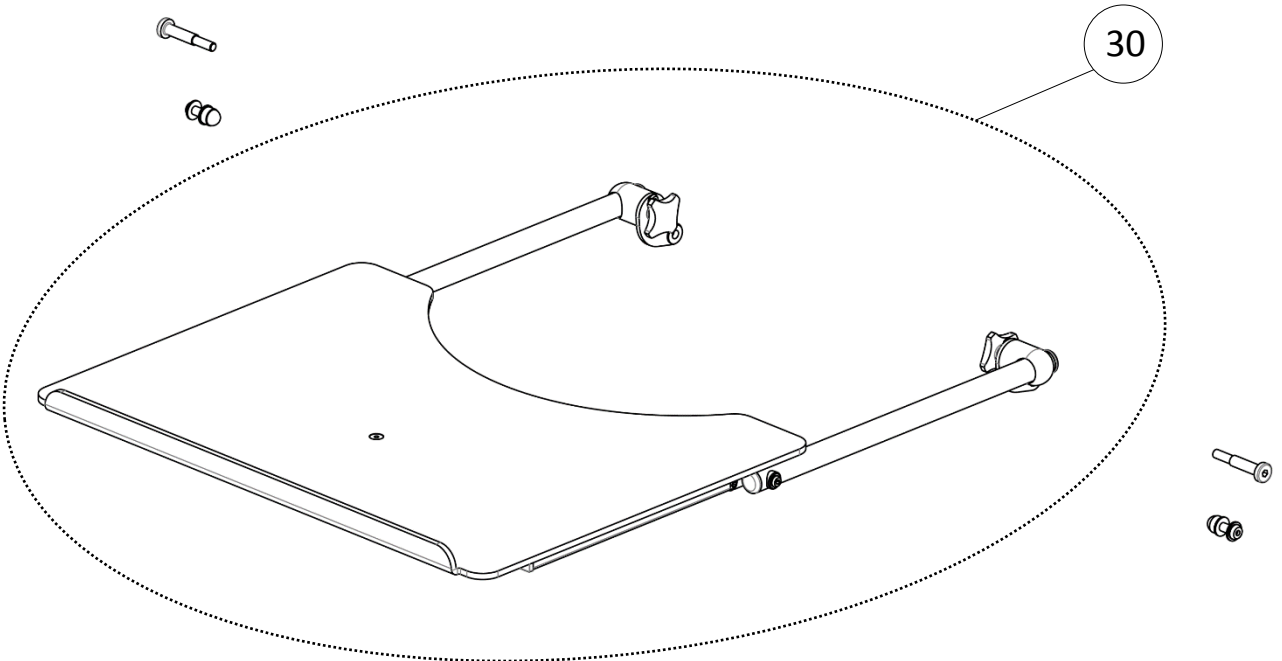
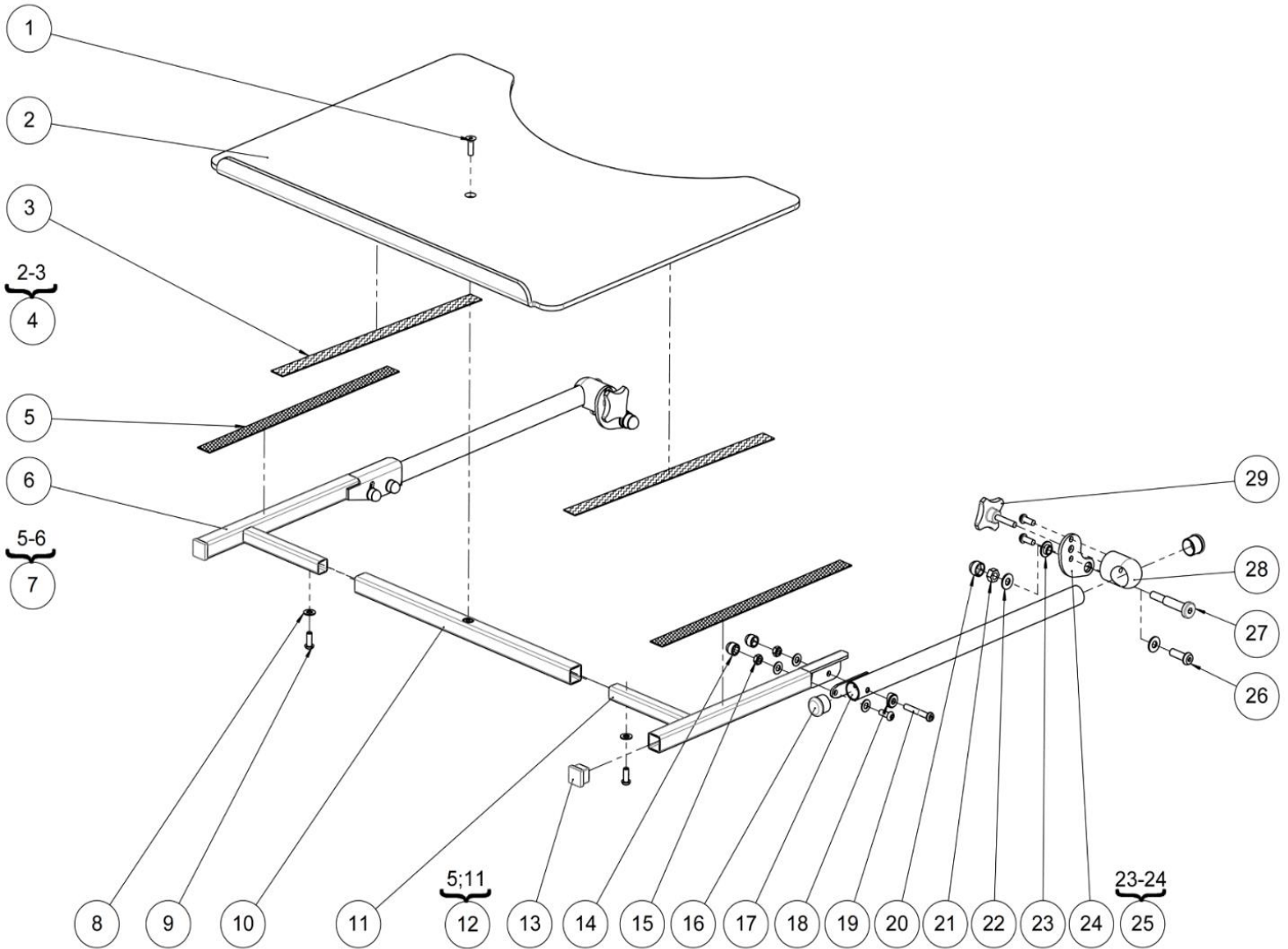
Backrest



Headrest

Headrest

Pos	Qty	Stock Code	Description En	Description Fr	Remark
1	2	VIS-CHC8X50ZN	Hexagon socket head cap screw M8x50	Vis tête cylindrique M8x50 six pans creux	
2	2	L9037XXXAI	Adjustment rod	Barre réglage appui-tête	
3	2	RON-LL8ZN	Fender washer Ø8	Rondelle plate LL Ø8	
4	2	ECR-H8ZN	Hexagon nut M8	Ecrou M8	
5	2		Casing Ø20	Douille expansive Ø20	NOT FOR SALE L9038XXXFO
6	2	322865	Kit casing	Kit douille expansive	For one side
7	1	L9039XXXPN	Headrest crossbar	Traverse appui-tête universelle	
8	1	P1823234	Head support bracket	Fixation appui-tête	
9	1	P1822868	Headrest cushion	Coussin appui-tête	
10	1	P1823235	Head support bracket backrest	Fixation appui-tête dossier	
11	1	322866	Kit headrest	Kit appui-tête	
12	2	VIS-HC8X10ZN	Hexagon socket set screw M8x10	Vis sans tête M8x10 six pans creux	
13	2	C0214XXXFO	Nut cap M8	Cache écrou M8	
14	2	ECR-HFR8ZN	Prevailing torque type hexagon nut M8	Ecrou frein M8	
15	2	VIS-HC8X30ZN	Hexagon socket set screw M8x30	Vis sans tête M8x30 six pans creux	
16	4	RON-M8ZN	Plain washer Ø8	Rondelle plate M Ø8	
17	1	L9026XXXFO	Kit harness fixation (pair)	Kit fixation harnais (paire)	
18	1	L9029XXXFO	Kit headrest support and harness fixation	Kit support appui-tête et fixation harnais	
19	1	L9028XXXFO	Kit headrest	Kit appui-tête	


LSR	SPARE PART CATALOG		
Item N° 323237	Revision C	Date 08/09/2016	Page 24 of 79
Backrest		Worktable	

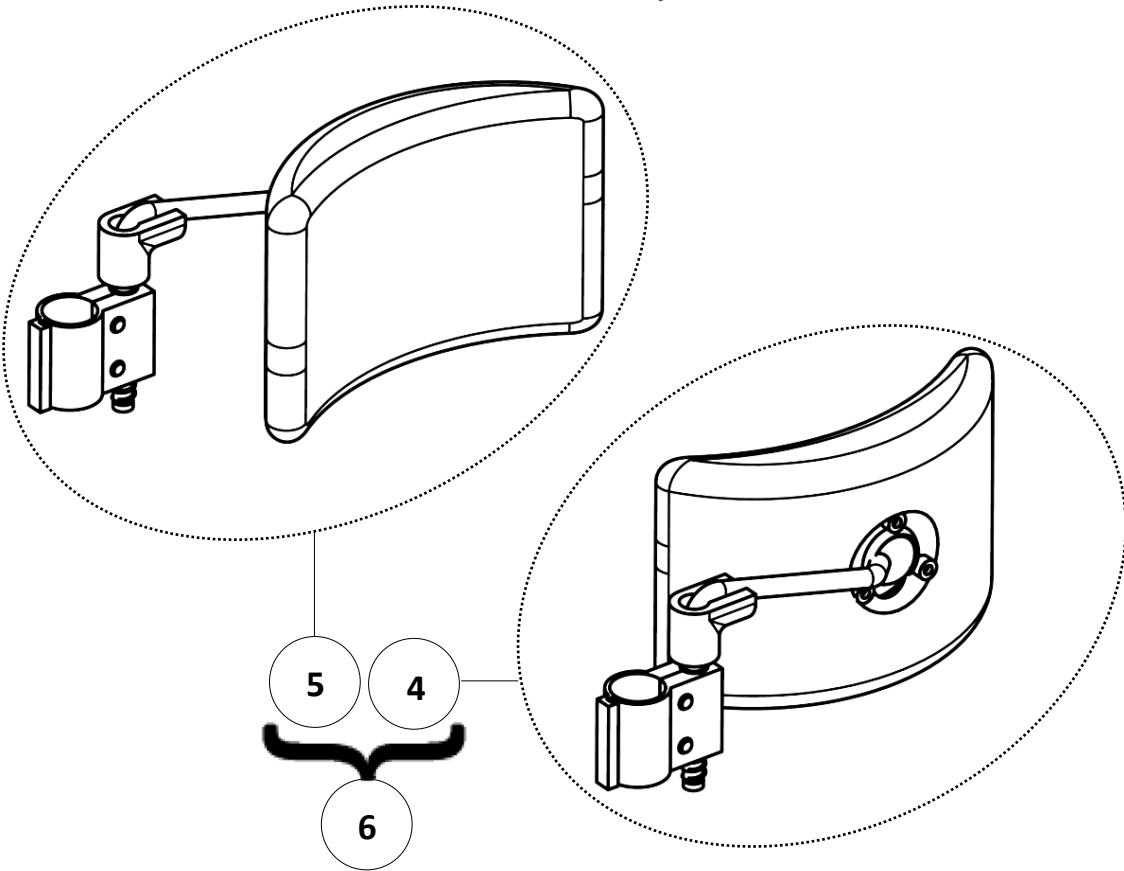
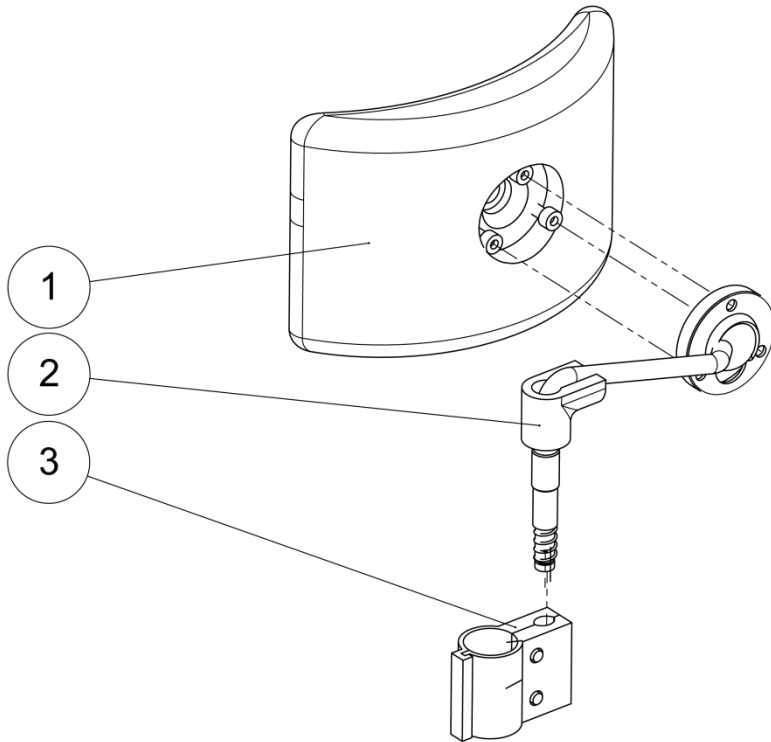




LSR	SPARE PART CATALOG		 
Item N° 323237	Revision C	Date 08/09/2016	Page 25 of 79
Backrest		Worktable	

Worktable

Pos	Qty	Stock Code	Description En	Description Fr	Remark
1	1	VIS-FHC6X20ZN	Hexagon socket countersunk head screw M6x20	Vis tête fraisée M6x20 six pans creux	
2	1		Tray Table	Tablette	NOT FOR SALE L9001XXXFO
3	0.04		Black Velcro strap sticker 2cm-0.7" hook 20m long	Velcro adhésif crochet noir 2cm de 20m de long	NOT FOR SALE L6050CROFO
4	1	322945	Kit tray table + velcro	Kit tablette + Velcro	Specify wheelchair size
5	0.04		Black Velcro strap sticker 2cm-0.7" velvet 20m long	Velcro adhésif velours noir 2cm de 20m de long	NOT FOR SALE L6050VELFO
6	1		Right support tube tray	Tube appui tablette droit	NOT FOR SALE L9002RXXCR
7	1	322943	Kit support tube + velcro right	Kit tube support + velcro droit	
8	8	RON-M6ZN	Plain washer Ø6	Rondelle plate M Ø6	
9	8	VIS-CBHC6X16ZN	Hexagon socket button head screw M6x16	Vis tête bombée M6x16 six pans creux	
10	1	L9004XXXPN	Tray support joint tube	Traverse sous tablette	
11	1		Left support tube tray	Tube appui tablette gauche	NOT FOR SALE L9002LXXCR
12	1	322944	Kit support tube + velcro left	Kit tube support + velcro gauche	
13	2	L0002020FO	Black cap for tube 20x20mm	Bouchon plastique noir 20x20mm	
14	4	C0215XXXFO	Nut cap M6	Cache écrou M6	
15	4	ECR-HFR6ZN	Prevailing torque type hexagon nut M6	Ecrou frein M6	
16	2	L0005221FO	Black cap for tube Ø22.1mm	Bouchon plastique noir pour tube	
17	2	L9003XXXCR	Depth adjustment tube	Tube de réglage	
18	2	L0002221AI	Concave washer for tube Ø22.1mm	Coupelle pour tube Ø22.1mm	
19	2	VIS-CBHC6X40ZN	Hexagon socket button head screw M6x40	Vis tête bombée M6x40 six pans creux	
20	0-2	C0214XXXFO	Nut cap M8	Cache écrou M8	Without armrests only.
21	0-2	ECR-HFR8ZN	Prevailing torque type hexagon nut M8	Ecrou frein M8	Without armrests only.
22	0-4	RON-M8ZN	Plain washer Ø8	Rondelle plate M Ø8	Without armrests only.
23	2	L9112XXXZN	Tray table spacer	Entretoise pour tablette	
24	2		Tray table support	Support tablette	NOT FOR SALE L9110XXXPN
25	1	322867	Kit tray table bracket left	Kit plaque tablette gauche	
	1	322868	Kit tray table bracket right	Kit plaque tablette droite	
26	0-2	602165	Hexagon socket button head screw M8x25	Vis tête bombée M8x25 six pans creux	Without armrests only.
27	0-2	L9113XXXZN	Special axle	Axe épaulé accouoir	With armrests instead of L4153XXXZN pos.2 p.20.
28	2	L9111XXXAI	Tray table nut	Noix de tablette	
29	2	SX020XXXFO	Adjustment knob M6x30	Poignée trio M6x30	
30	1	L9100XXXFO	Kit complete tray set	Kit tablette	Specify wheelchair size.

LSR	SPARE PART CATALOG		
Item N° 323237	Revision C	Date 08/09/2016	Page 26 of 79
Backrest		Trunk support	

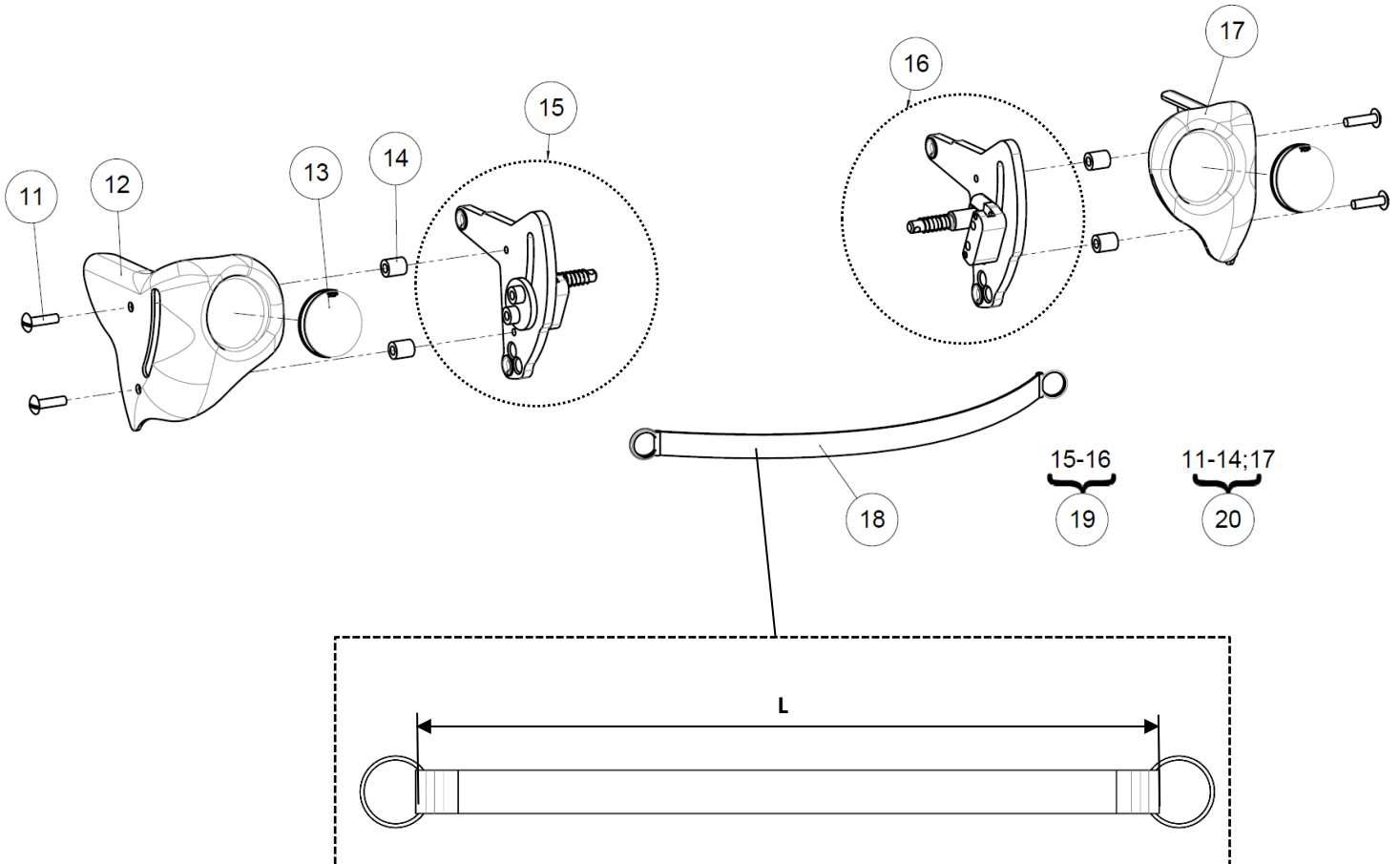
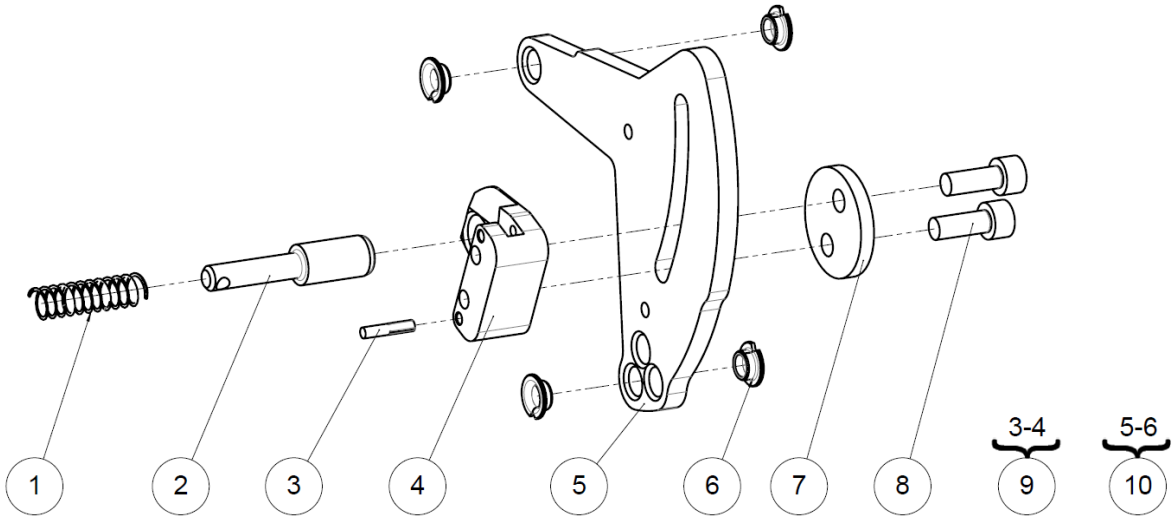


LSR	SPARE PART CATALOG		 
Item N° 323237	Revision C	Date 08/09/2016	Page 27 of 79
Backrest		Trunk support	

Trunk support

Pos	Qty	Stock Code	Description En	Description Fr	Remark
1	2	L9070XXXFO	Thoracic support cushion	Coussin soutien thoracique	
2	1	L9071RXXFO	Right trunk support	Support cale tronc droit	
	1	L9071LXXFO	Left trunk support	Support cale tronc gauche	
3	2	L9074XXXFO	Fixing tube Ø22.2mm for trunk support	Bride de fixation tube Ø22.2mm cale tronc	
4	1	L9079RXXFO	Kit trunk support right	Kit cale tronc droit	
5	1	L9079LXXFO	Kit trunk support left	Kit cale tronc gauche	
6	1	L9079XXXFO	Kit trunk support (pair)	Kit cale tronc (paire)	

Side hub

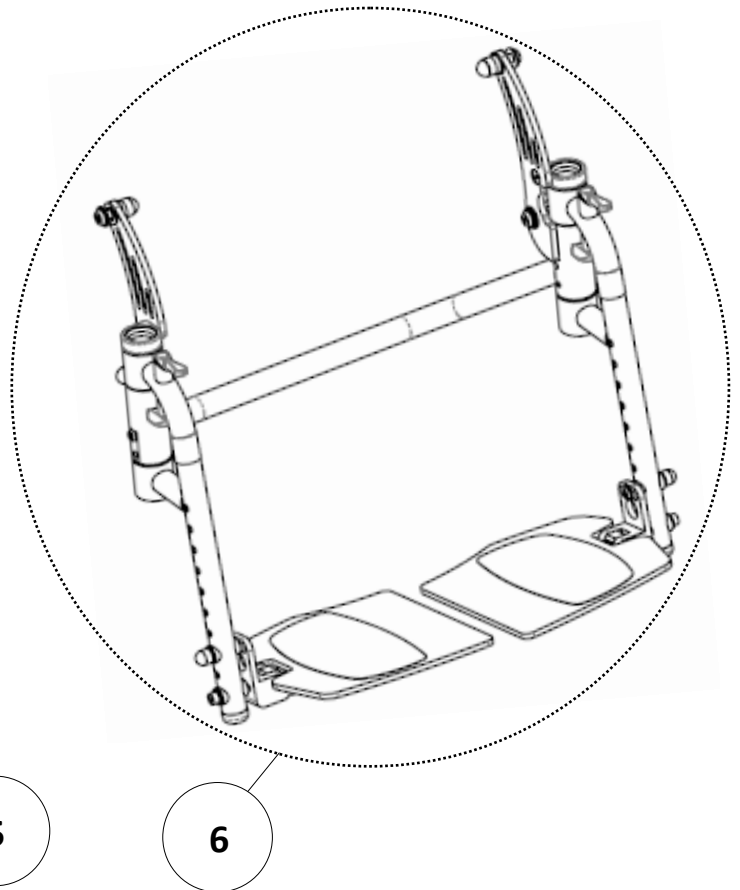
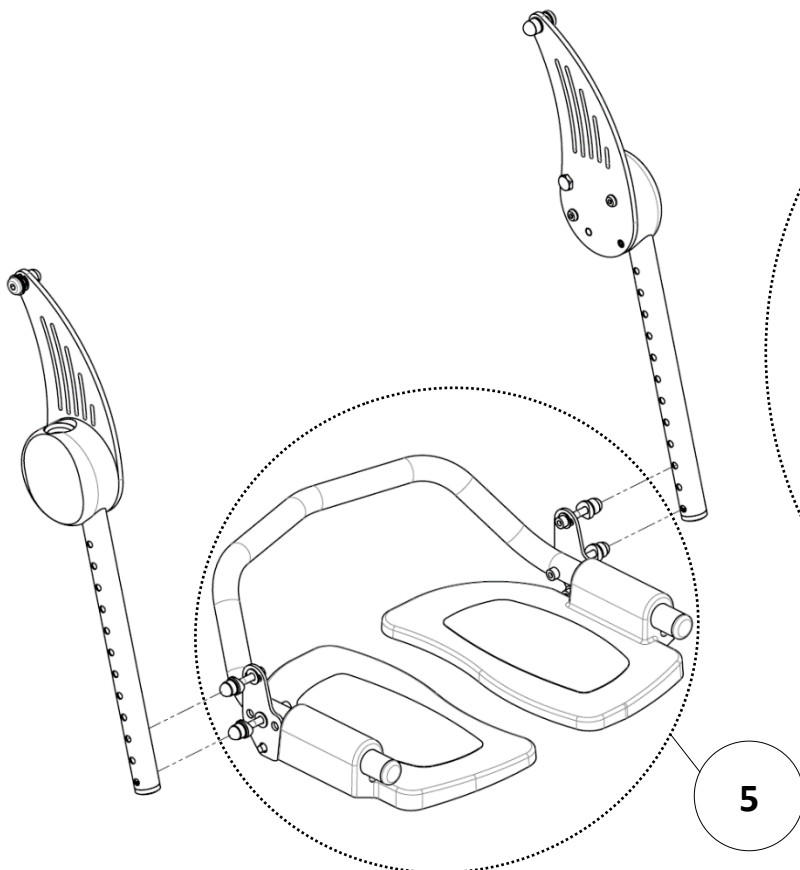
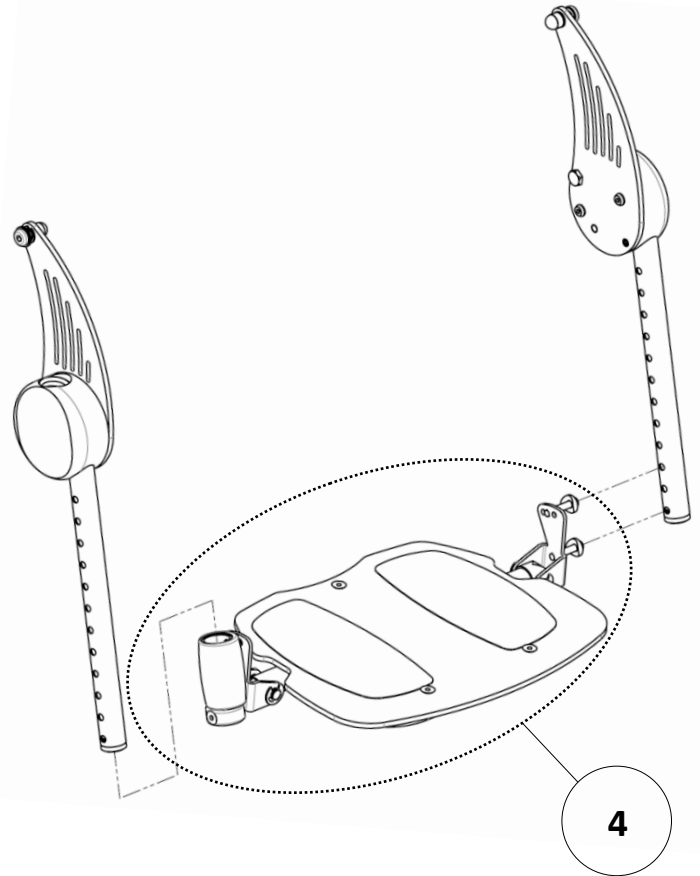
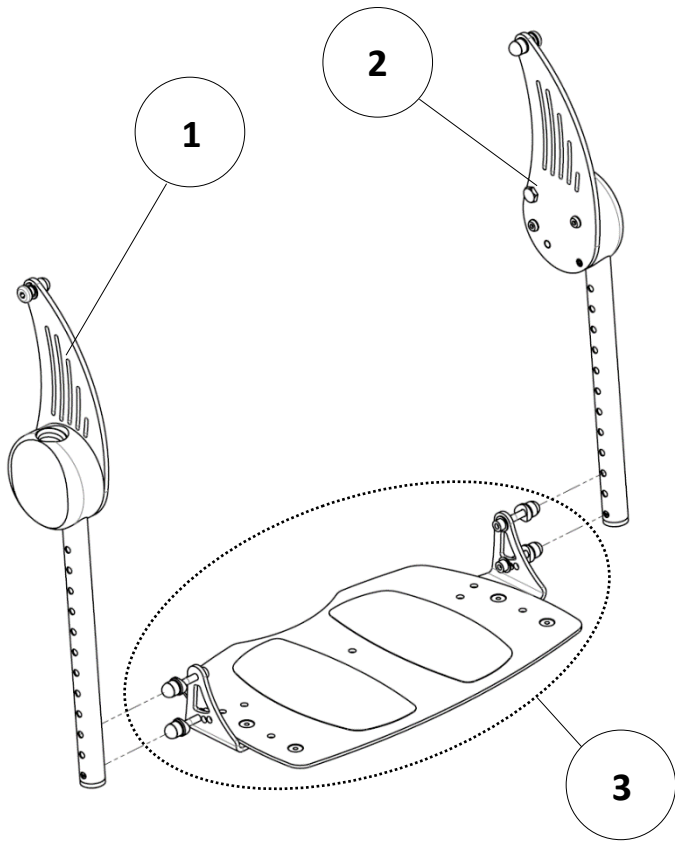




Side hub

Side hub

Pos	Qty	Stock Code	Description En	Description Fr	Remark
1	2	A4009XXXFO	Backrest spring Ø8	Ressort de dossier Ø8	
2	2	L1106XXXZN	Backrest lock spindle	Axe verrouillage dossier	
3	2	GOU-CANN3X16BR	Fluted lock pin G02 Ø3x16mm	Goupille cannelée G02 Ø3x16mm	
4	2		Backrest locking block	Bloc verrou dossier	NOT FOR SALE L4108XXXZN
5	2		Backrest plate	Joue pour dossier	NOT FOR SALE L1101XXXAI
6	8	L0007060FO	Collar bearing Ø6xØ8x4mm	Coussinet à collerette Ø6xØ8x4mm	
7	2	L4109XXXPN	Locking plate backrest	Plaquette verrou dossier	
8	4	VIS-CHC6X16ZN	Hexagon socket head cap screw M6x16	Vis tête cylindrique M6x16 six pans creux	
9	1	322870	Kit backrest blocking spindle left	Kit bloc de verrouillage gauche	
	1	322871	Kit backrest blocking spindle right	Kit bloc de verrouillage droit	
10	2	322869	Kit side hub bracket	Kit plaque articulation dossier	
11	4	614170	Black plastic screw M5x20	Vis plastique noire M5x20	
12	1	321266	Cover backrest left	Cache de dossier gauche	
13	2	612335	Reflector red	Catadioptre rouge	
14	4	614171	Tubular spacer Ø5,2xØ10x12mm	Entretoise tubulaire Ø5,2xØ10x12mm	
15	1	322872	Kit backrest hub left	Kit articulation de dossier gauche	
16	1	322873	Kit backrest hub right	Kit articulation de dossier droite	
17	1	321265	Cover backrest right	Cache de dossier droit	
18	1	L4003X36FO	Backrest cord size 36 cm	Cordelette dossier taille 36 cm	L=260 mm
		L4003X40FO	Backrest cord size 40 cm	Cordelette dossier taille 40 cm	L=300 mm
		L4003X44FO	Backrest cord size 44 cm	Cordelette dossier taille 40 cm	L=340 mm
		L4003X48FO	Backrest cord size 48 cm	Cordelette dossier taille 48 cm	L=380 mm
19	1	322874	Kit backrest hub (pair)	Kit articulation de dossier (paire)	
20	1	321579	Kit backrest cover (pair)	Kit cache de dossier (paire)	

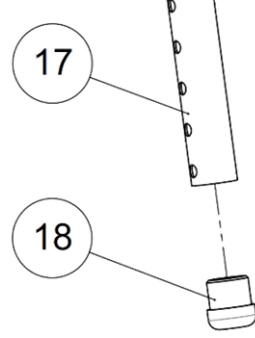
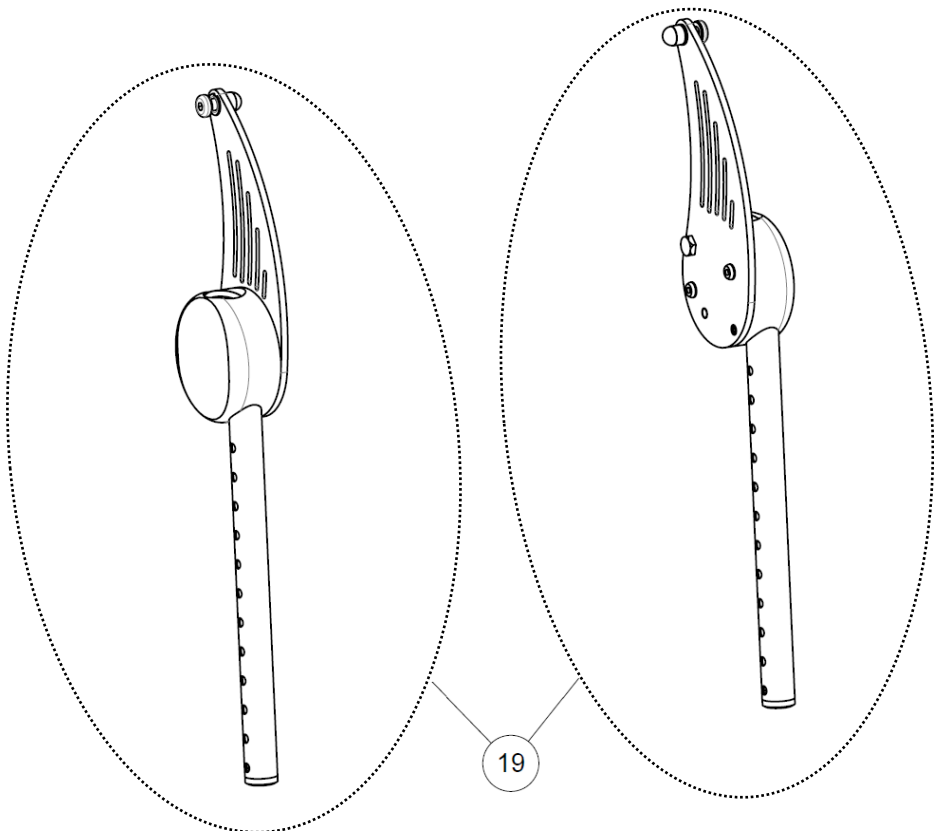
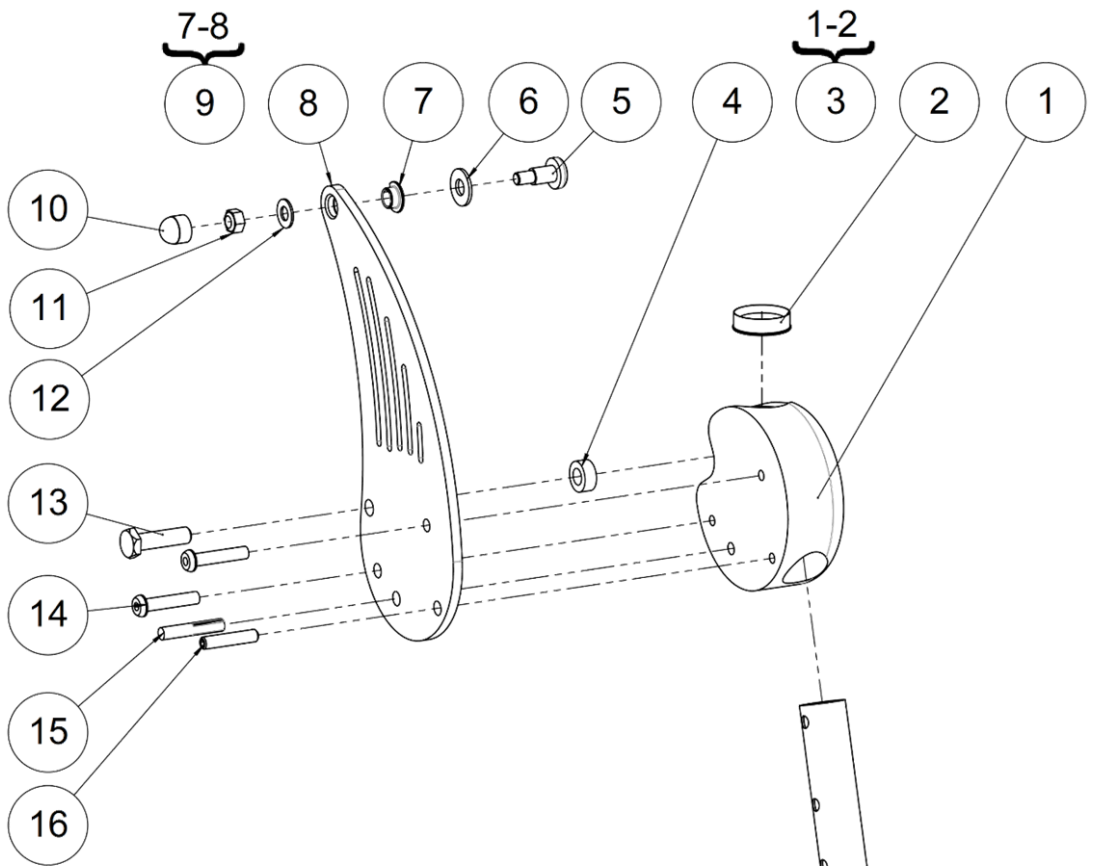
Legrest





LSR	SPARE PART CATALOG		 
Item N° 323237	Revision C	Date 08/09/2016	Page 31 of 79
Legrest			

Legrest


Pos	Qty	Stock Code	Description En	Description Fr	Remark
1	3		Footrest support right	Support jambier droit	See exploded view p.32
2	3		Footrest support left	Support jambier gauche	See exploded view p.32
3	1		Fixed footrest	Palette fixe	See exploded view p.34
4	1		Footrest flip up and fold away	Palette relevable escamotable	See exploded view p.36
5	1		Dual footrest flip up	Bi-palette relevable	See exploded view p.38
6	1		Dual footrest flip up and fold away	Bi-palette relevable escamotable	See exploded view p.40

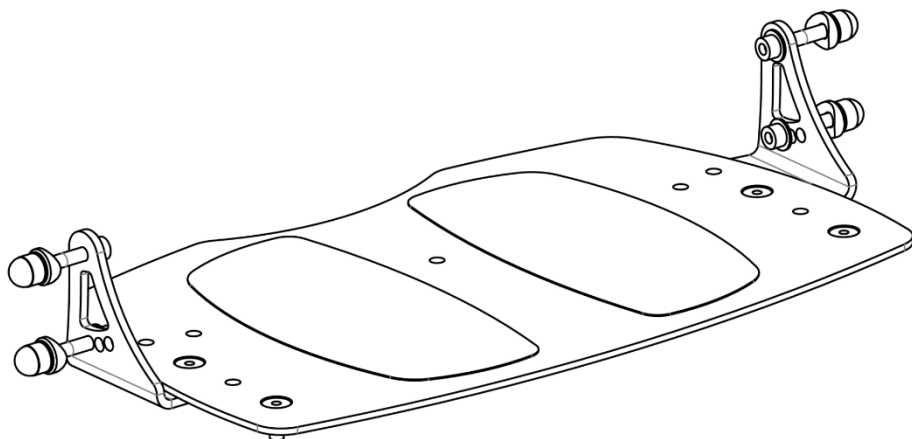
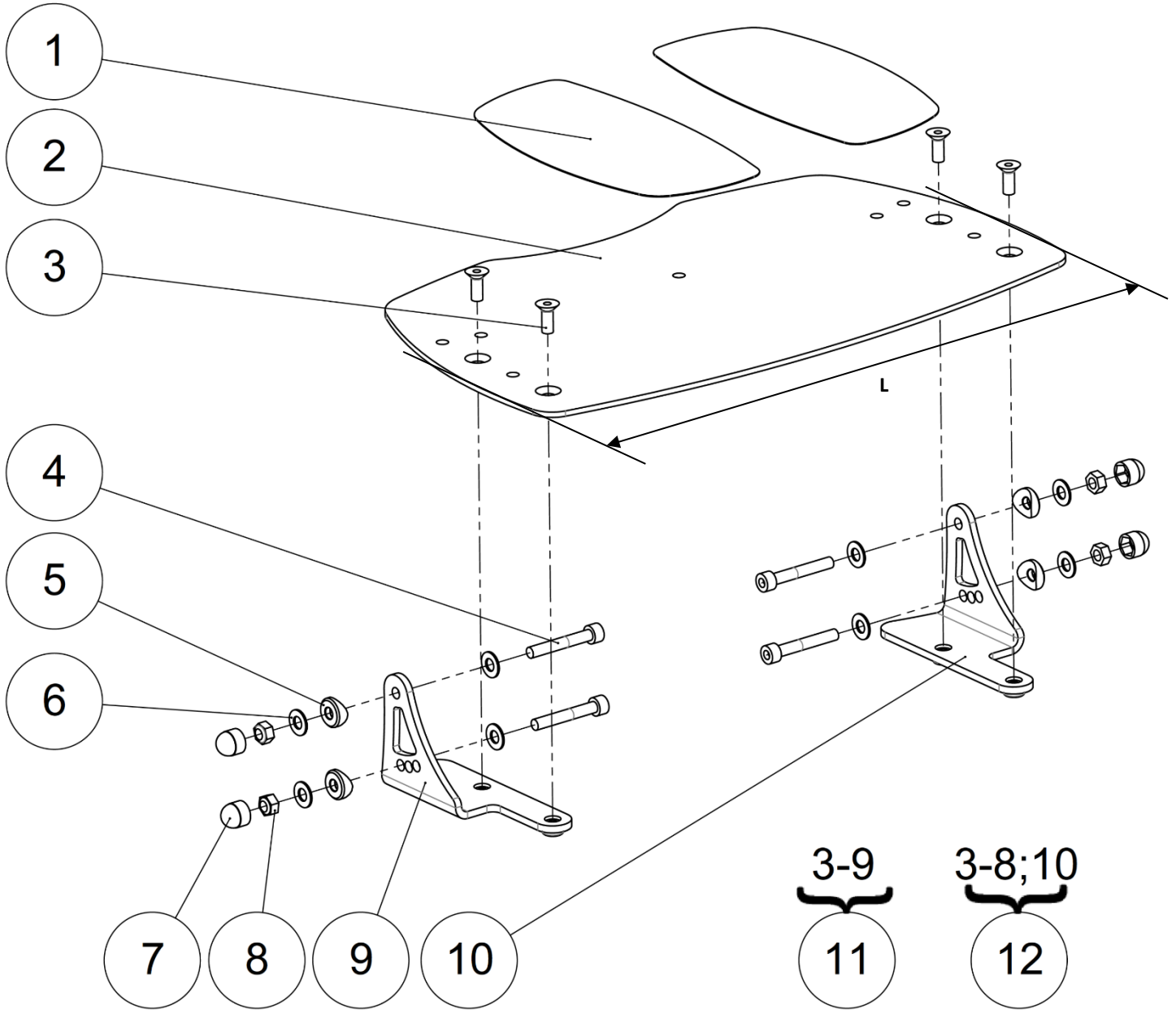




LSR	SPARE PART CATALOG		 
Item N° 323237	Revision C	Date 08/09/2016	Page 33 of 79
Legrest		Footrest supports	

Footrest supports

Pos	Qty	Stock Code	Description En	Description Fr	Remark
1	1		Left footrest nut	Noix de jambier gauche	NOT FOR SALE
	1		Right footrest nut	Noix de jambier droit	NOT FOR SALE
2	2	L3035XXXFO	Sleeve-guide ring	Bague de guidage fourreau	
3	1	L3121LXXAI	Kit left sleeve footrest support	Kit noix de jambier gauche	
	1	L3121RXXAI	Kit right sleeve footrest support	Kit noix de jambier droit	
4	2	L0116XXXFO	Washer Ø8.2 th.6.3mm	Cale Ø8.2 ép.6.3mm	
5	2	L1214XXXFO	Axle	Axe	
6	2	RON-M8ZN	Plain washer Ø8	Rondelle plate M Ø8	
7	2	L0007080FO	Collar bearing Ø8xØ10x5.5mm	Coussinet a collerette Ø8xØ10x5.5mm	
8	2		Footrest side plate	Joue repose pied	NOT FOR SALE L3120XXXAI
9	1	322875	Kit footrest support bracket right	Kit plaque support palette droit	
	1	322876	Kit footrest support bracket left	Kit plaque support palette gauche	
10	2	C0215XXXFO	Nut cap M6	Cache écrou M6	
11	2	ECR-HFR6ZN	Prevailing torque type hexagon nut M6	Ecrou frein M6	
12	2	RON-M6ZN	Plain washer Ø6	Rondelle plate M Ø6	
13	2	L0117XXXZN	Screw M8-30-11.5	Axe M8-30-11.5	
14	4	VIS-CBHC6X30ZN	Hexagon socket button head screw M6x30	Vis tête bombée M6x30 six pans creux	
15	1	GOU-CANN6X35BR	Fluted lock pin G02 Ø6x35mm	Goupille cannelée G02 Ø6X35mm	Mounted on the left footrest support only
16	2	VIS-HC6X30ZN	Hexagon socket set screw M6x30	Vis sans tête M6x30 six pans creux	
17	2	L3106XXXPN	Footrest tube	Montant repose pied	
18	2	L0006195FO	Footrest plug Ø19.5mm + wedge	Tampon RP Ø19.5mm + cheville	
19	1	324125	Kit footrest support LSR (pair)	Kit support jambier LSR (paire)	

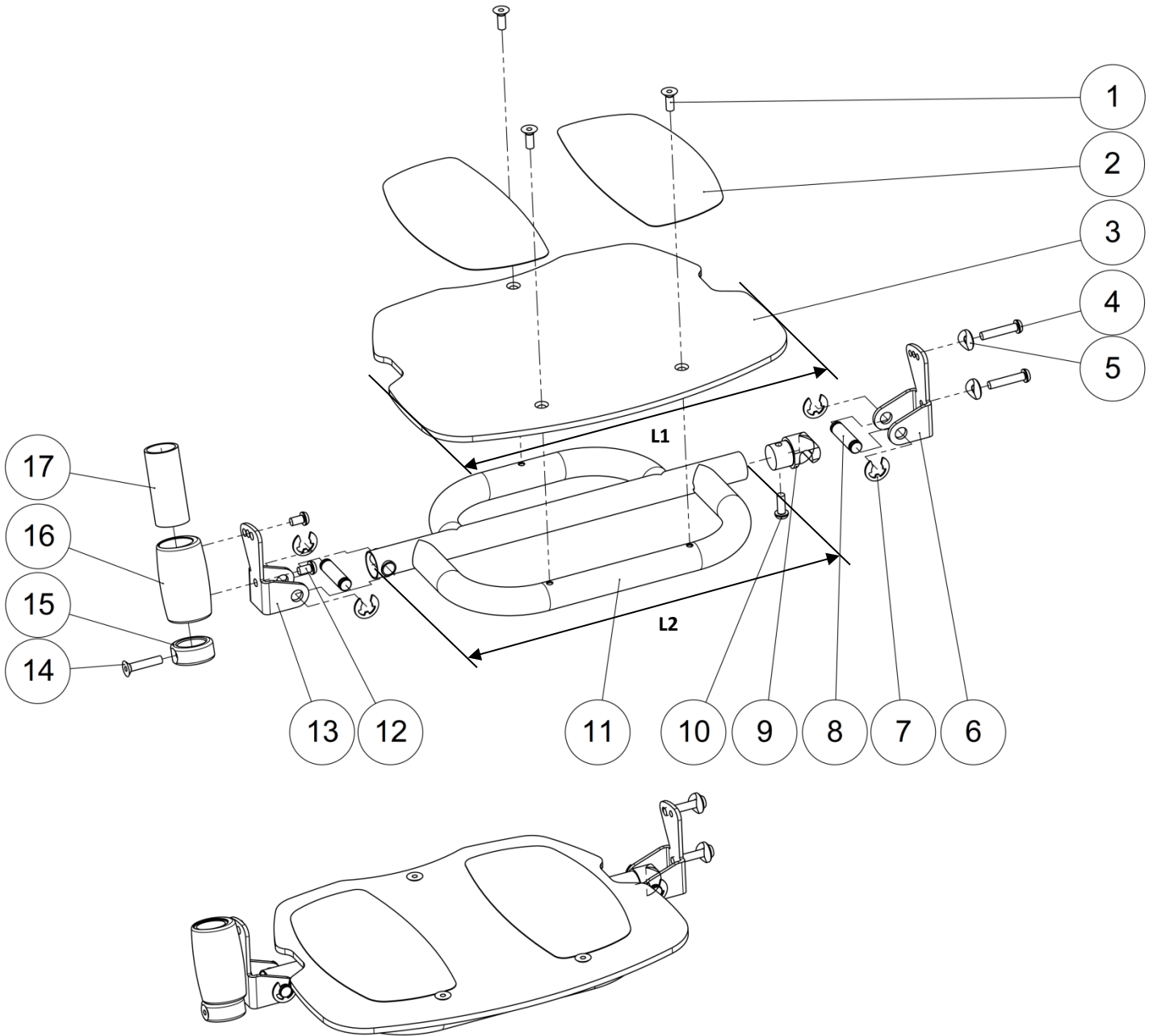
LSR	SPARE PART CATALOG		
Item N° 323237	Revision C	Date 08/09/2016	Page 34 of 79
Legrest		Fixed footrest	



LSR	SPARE PART CATALOG		 
Item N° 323237	Revision C	Date 08/09/2016	Page 35 of 79
Legrest			Fixed footrest

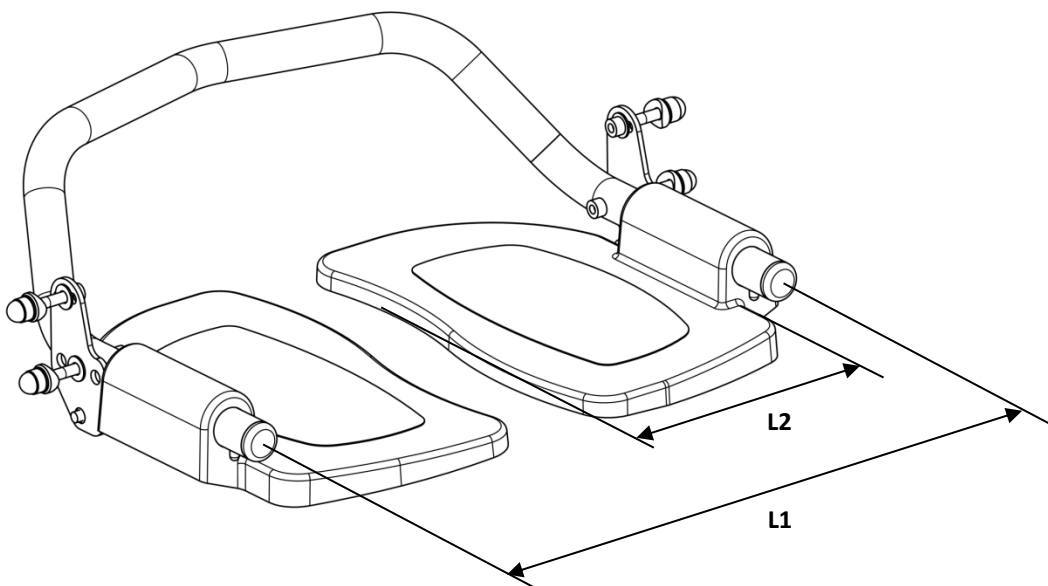
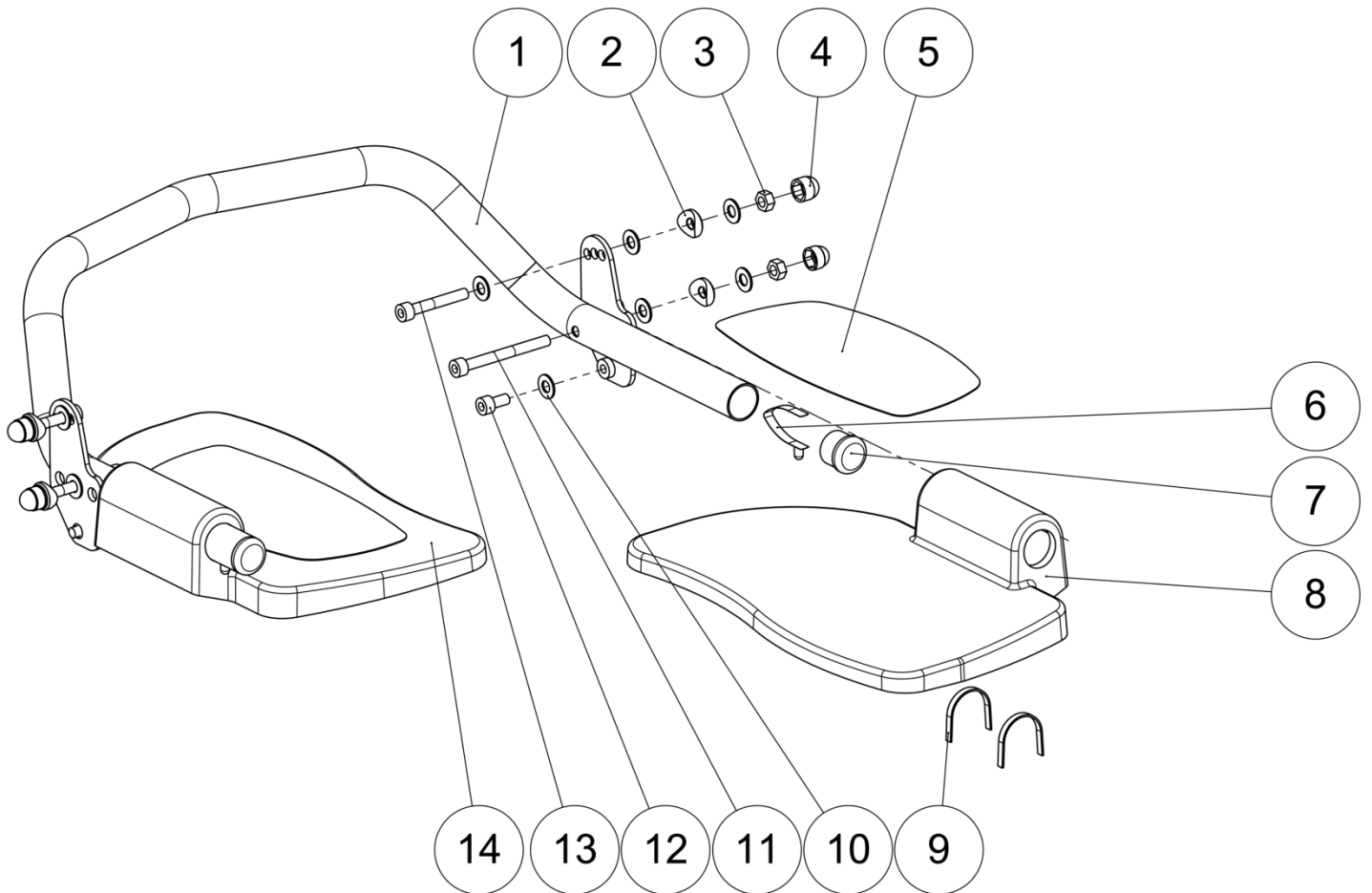
Fixed footrest

Pos	Qty	Stock Code	Description En	Description Fr	Remark
1	2	F0030XXXFO	Anti skid sticker	Antidérapant prédécoupé	
2	1	L1230X36FO	Footplate size 36 cm	Palette taille 36 cm	L = 320mm
		L1230X40FO	Footplate size 40 cm	Palette taille 40 cm	L = 360mm
		L1230X44FO	Footplate size 44 cm	Palette taille 44 cm	L = 400mm
		L1230X48FO	Footplate size 48 cm	Palette taille 48 cm	L = 440mm
3	4	VIS-FHC6X16ZN	Hexagon socket countersunk head screw M6x16	Vis tête fraisée M6x16 six pans creux	
4	4	VIS-CHC6X40ZN	Hexagon socket head cap screw M6x40	Vis tête cylindrique M6x40 six pans creux	
5	4	L0002221AI	Concave washer for tube Ø22.1mm	Coupelle pour tube Ø22.1mm	
6	8	RON-M6ZN	Plain washer Ø6	Rondelle plate M Ø6	
7	4	C0215XXXFO	Nut cap M6	Cache écrou M6	
8	4	ECR-HFR6ZN	Prevailing torque type hexagon nut M6	Ecrou frein M6	
9	1	L3102RXXPN	Right footrest bracket	Equerre droite repose pied	
10	1	L3102LXXPN	Left footrest bracket	Equerre gauche repose pied	
11	1	322877	Kit fixation footrest right	Kit de fixation palette droit	
12	1	322878	Kit fixation footrest left	Kit de fixation palette gauche	




Footrest flip up and fold away

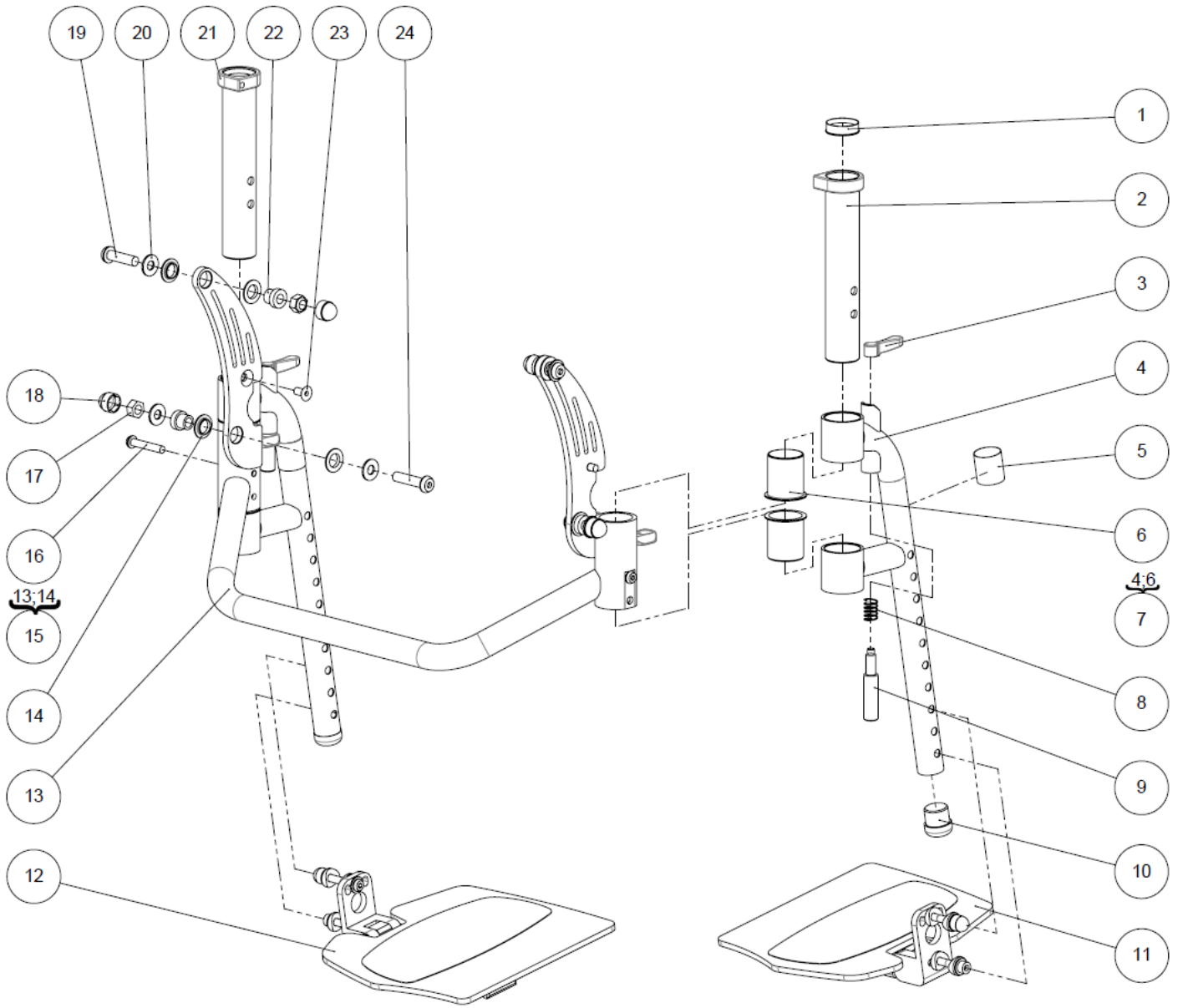
Pos	Qty	Stock Code	Description En	Description Fr	Remark
1	3	VIS-FHC6X16ZN	Hexagon socket countersunk head screw M6x16	Vis tête fraisée M6x16 six pans creux	
2	2	F0030XXXFO	Anti skid sticker	Antidérapant prédécoupé	
3	1	L3103E36FO	Monobloc footplate size 36 cm	Palette monobloc taille 36 cm	L1 ≈ 270mm
		L3103E40FO	Monobloc footplate size 40 cm	Palette monobloc taille 40 cm	L1 ≈ 310mm
		L3103E44FO	Monobloc footplate size 44 cm	Palette monobloc taille 44 cm	L1 ≈ 350mm
4	2	VIS-CBHC6X30ZN	Hexagon socket button head screw M6x30	Vis tête bombée M6x30 six pans creux	
5	2	L0002221AI	Concave washer for tube Ø22.1mm	Coupelle pour tube Ø22.1mm	
6	1	L3101LXXPN	Left footrest clevis	Chape gauche repose pied	
7	4	ANN-RAD10RENFO	E-type reinforced ring Ø10	Anneau-E radial renforcé Ø10	
8	2	L3002XXXZN	Foot-rest fork joint spindle	Axe chape repose pieds	
9	1	L3005XXXAI	Fork-joint lug for foot-rest	Tenon de chape repose pieds	
10	1	VIS-CBHC6X16ZN	Hexagon socket button head screw M6x16	Vis tête bombée M6x16 six pans creux	
11	1	L3104X36PN	Fixed footrest support tube size 36 cm	Support palette monobloc taille 36 cm	L2 ≈ 277mm
		L3104X40PN	Fixed footrest support tube size 40 cm	Support palette monobloc taille 40 cm	L2 ≈ 317mm
		L3104X44PN	Fixed footrest support tube size 44 cm	Support palette monobloc taille 44 cm	L2 ≈ 357mm
		L3104X48PN	Fixed footrest support tube size 48 cm	Support palette monobloc taille 48 cm	L2 ≈ 397mm
12	2	VIS-CBHC6X10ZN	Hexagon socket button head screw M6x10	Vis tête bombée M6x10 six pans creux	
13	1	L3101RXXPN	Footrest right clevis	Chape droite repose pied	
14	1	VIS-FHC6X30ZN	Hexagon socket countersunk head screw M6x30	Vis tête fraisée M6x30 six pans creux	
15	1	L3109XXXAI	Footrest blocking ring	Bague blocage repose pieds	
16	1	L3107XXXAI	Footrest bushing	Fourreau repose pieds	
17	1	L3108XXXAI	Footrest plastic guide	Palier repose pieds	





Dual footrest flip up


Pos	Qty	Stock Code	Description En	Description Fr	Remark
1	1	L3150X36PN	Dual footrest support tube size 36 cm	Support bi-palette taille 36 cm	L1 ≈ 314mm
		L3150X40PN	Dual footrest support tube size 40 cm	Support bi-palette taille 40 cm	L1 ≈ 354mm
		L3150X44PN	Dual footrest support tube size 44 cm	Support bi-palette taille 44 cm	L1 ≈ 394mm
		L3150X48PN	Dual footrest support tube size 48 cm	Support bi-palette taille 48 cm	L1 ≈ 434mm
2	4	L0002221AI	Concave washer for tube Ø22.1mm	Coupelle pour tube Ø22.1mm	
3	4	ECR-HFR6ZN	Prevailing torque type hexagon nut M6	Ecrou frein M6	
4	4	C0215XXXFO	Nut cap M6	Cache écrou M6	
5	2	F0030XXXFO	Anti skid sticker	Antidérapant prédécoupé	
6	2	L0022XXXFO	Pawl D6-LG7	Cliquet D6-LG7	
7	2	L0005221FO	Black cap for tube Ø22.1mm	Bouchon plastique noir pour tube Ø22.1mm	
8	1	L3151LXXPN	Footplate flip up left size 36-40 cm	Palette relevable gauche taille 36-40 cm	L2 ≈ 154mm
		L3152LXXPN	Footplate flip up left size 44-48 cm	Palette relevable gauche taille 44-48 cm	L2 ≈ 180mm
9	4	L0027XXXFO	Alu footplate slide spring	Lame ressort palette alu	
10	12	RON-M6ZN	Plain washer Ø6	Rondelle plate M Ø6	
11	2	VIS-CHC6X60ZN	Hexagon socket head cap screw M6x60	Vis tête cylindrique M6x60 six pans creux	
12	2	VIS-CHC6X12ZN	Hexagon socket head cap screw M6x12	Vis tête cylindrique M6x12 six pans creux	
13	2	VIS-CHC6X40ZN	Hexagon socket head cap screw M6x40	Vis tête cylindrique M6x40 six pans creux	
14	1	L3151RXXPN	Footplate flip up right size 36-40 cm	Palette relevable droite taille 36-40 cm	L2 ≈ 154mm
		L3152RXXPN	Footplate flip up right size 44-48 cm	Palette relevable droite taille 44-48 cm	L2 ≈ 180mm

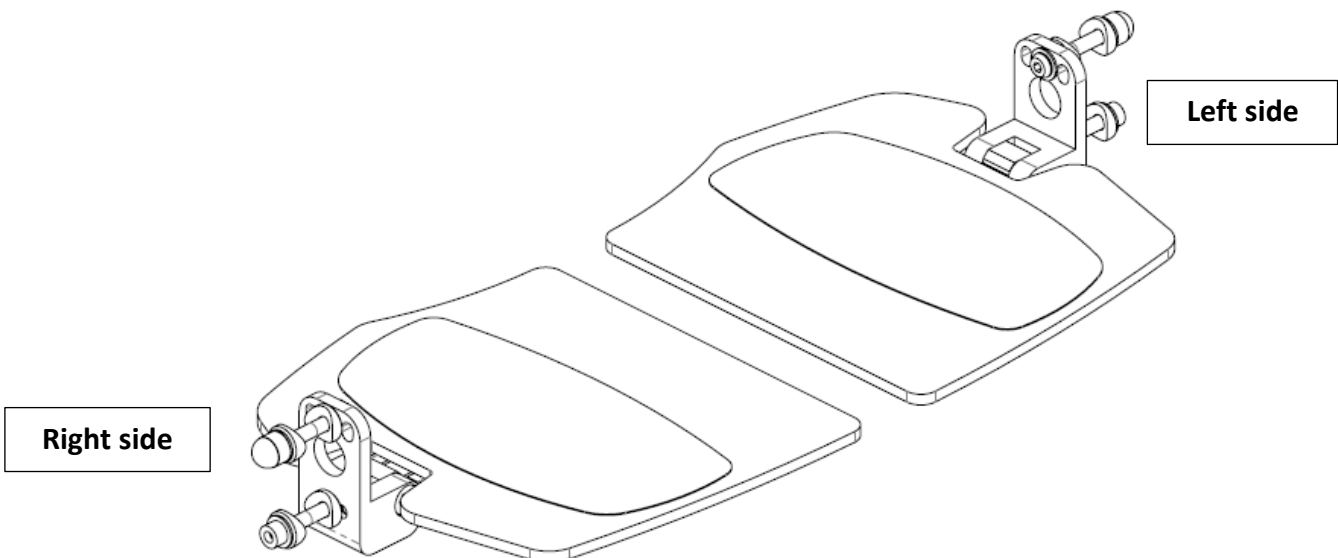
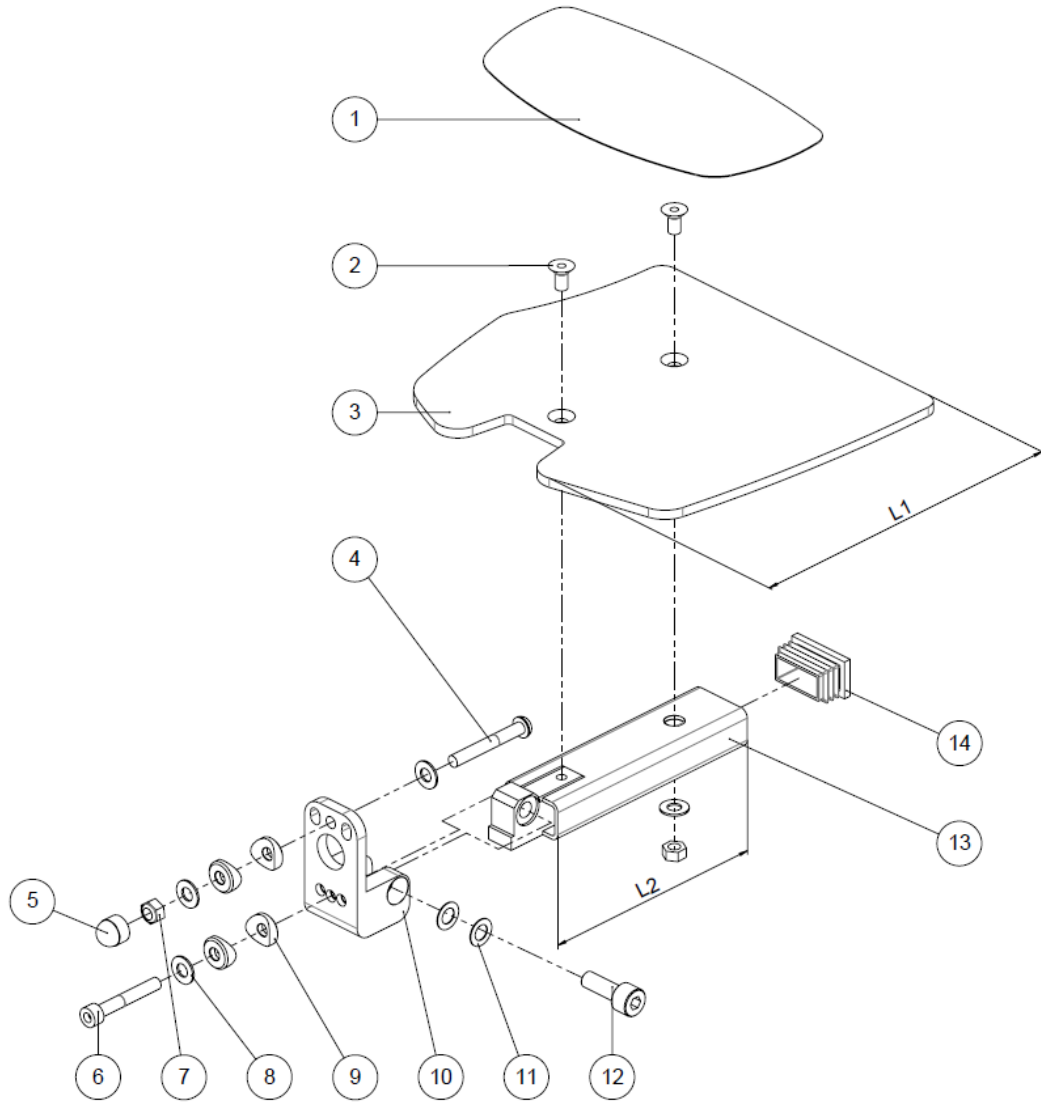
LSR	SPARE PART CATALOG		
Item N° 323237	Revision C	Date 08/09/2016	Page 40 of 79
Legrest		Dual footrest flip up and fold away	



LSR	SPARE PART CATALOG		 
Item N° 323237	Revision C	Date 08/09/2016	Page 41 of 79
Legrest		Dual footrest flip up and fold away	

Dual footrest flip up and fold away					
Pos	Qty	Stock Code	Description En	Description Fr	Remark
1	2	L3035XXXFO	Sleeve-guide ring	Bague de guidage fourreau	
2	1	325007	Pivot support tube right assembly	Ensemble pivot de jambier droit	
3	2	323443	Pin support	Support pion	
4	2		Legrest tube	Montant repose pied	NOT FOR SALE 323439
5	0.006	L6060BLAFO	White reflecting strips	Bande réfléchissante blanche	
6	4		Bearing with flange GFM-2830-36	Palier à collerette GFM-2830-36	NOT FOR SALE 614579
7	2	323442	Kit Legrest tubes	Kit montant repose pied	
8	2	614582	Compression spring $\varnothing 9.7 \times \varnothing 11.7 \times 20 \text{mm}$	Ressort de compression $\varnothing 9.7 \times \varnothing 11.7 \times 20 \text{mm}$	
9	2	323444	Locking pin	Pion de blocage	
10	2	L0006195FO	Footrest plug $\varnothing 19.5 \text{mm}$ + wedge	Tampon RP $\varnothing 19.5 \text{mm}$ + cheville	
11	1		Dual footrest flip up and fold away plate right	Palette relevable escamotable droite	See exploded view p.42
12	1		Dual footrest flip up and fold away plate left	Palette relevable escamotable gauche	See exploded view p.42
13	1		Support frame size 36 cm	Support jambier taille 36 cm	NOT FOR SALE 323505
			Support frame size 40 cm	Support jambier taille 40 cm	NOT FOR SALE 323521
			Support frame size 44 cm	Support jambier taille 44 cm	NOT FOR SALE 323522
			Support frame size 48 cm	Support jambier taille 48 cm	NOT FOR SALE 323434
14	8		Bearing with flange GFM-1214-03	Palier à collerette GFM-1214-03	NOT FOR SALE 614578
15	1	330474	Kit support frame size 36 cm	Kit support jambier taille 36 cm	
		330473	Kit support frame size 40 cm	Kit support jambier taille 40 cm	
		330472	Kit support frame size 44 cm	Kit support jambier taille 44 cm	
		323441	Kit support frame size 48 cm	Kit support jambier taille 48 cm	
16	2	VIS-CBHC6X35ZN	Hexagon socket head cap screw M6x35	Vis tête bombée M6x35 six pans creux	
17	4	ECR-HFR8ZN	Prevailing torque type hexagon nut M8	Ecrou frein M8	
18	4	C0214XXXFO	Nut cap M8	Cache écrou M8	
19	2	613218	Hexagon socket head cap screw M8x30	Vis tête bombée M8x30 six pans creux	
20	6	RON-M8ZN	Plain washer $\varnothing 8$	Rondelle plate M $\varnothing 8$	
21	1	325006	Pivot support tube left assembly	Ensemble pivot de jambier gauche	
22	4	323453	Spacer $\varnothing 8.2 \times \varnothing 12 \times 8.5 \text{mm}$	Entretoise $\varnothing 8.2 \times \varnothing 12 \times 8.5 \text{mm}$	
23	2	VIS-FHC6X12ZN	Hexagon socket countersunk head screw M6x12	Vis tête fraisée M6x12 six pans creux	
24	2	602373	Hexagon socket head cap screw M8x35	Vis tête bombée M8x35 six pans creux	

LSR	SPARE PART CATALOG		 <small>LIFESTAND</small>
Item N° 323237	Revision C	Date 08/09/2016	Page 42 of 79
Legrest		Dual footrest flip up and fold away plates	



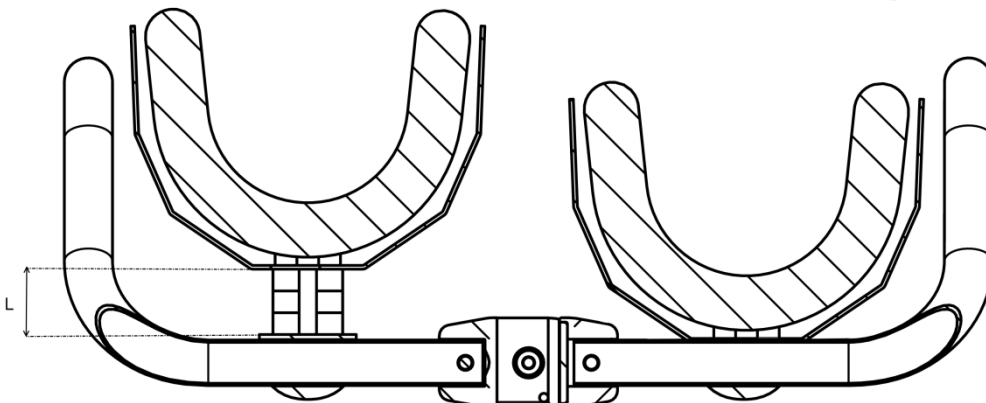
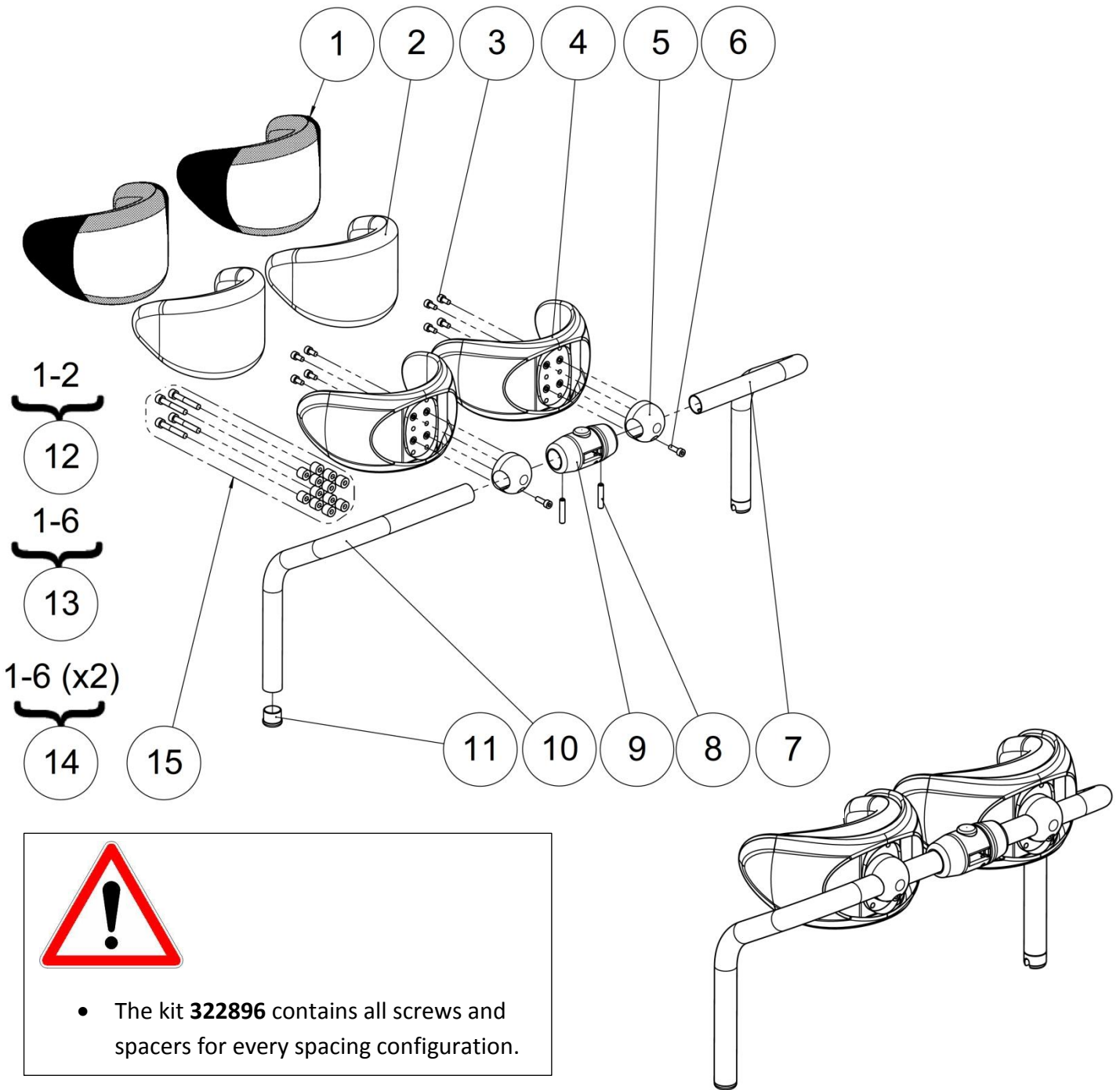
Legrest



Dual footrest flip up and fold away plates

Dual footrest flip up and fold away plates

Pos	Qty	Stock Code	Description En	Description Fr	Remark
1	2	F0030XXXFO	Anti skid sticker	Anti dérapant prédécoupé	
2	4	VIS-FHC6X12ZN	Hexagon socket countersunk head screw M6x12	Vis tête fraisée M6x12 six pans creux	
3	1	331646	Footplate left size 36 cm	Palette gauche taille 36 cm	L1 = 165mm
		331648	Footplate left size 40 cm	Palette gauche taille 40 cm	L1 = 185mm
		331650	Footplate left size 44 cm	Palette gauche taille 44 cm	L1 = 200mm
		331652	Footplate left size 48 cm	Palette gauche taille 48 cm	L1 = 220mm
	1	331645	Footplate right size 36 cm	Palette droite taille 36 cm	L1 = 165mm
		331647	Footplate right size 40 cm	Palette droite taille 40 cm	L1 = 185mm
		331649	Footplate right size 44 cm	Palette droite taille 44 cm	L1 = 200mm
		331651	Footplate right size 48 cm	Palette droite taille 48 cm	L1 = 220mm
4	2	VIS-CBHC6X45ZN	Hexagon socket button head screw M6x45	Vis tête bombée M6x45 six pans creux	
5	2	C0215XXXFO	Nut cap M6	Cache écrou M6	
6	2	VIS-CHC6X40ZN	Hexagon socket head cap screw M6x40	Vis tête cylindrique M6x40 six pans creux	
7	4	ECR-HFR6ZN	Prevailing torque type hexagon nut M6	Ecrou frein M6	
8	8	RON-M6ZN	Plain washer Ø6	Rondelle plate M Ø6	
9	8	L0002221AI	Concave washer for tube Ø22.1mm	Coupelle pour tube Ø22.1mm	
10	2	L3161XXXZN	Separate footplate hinge	Charnière bi-palette	
11	4	RON-Z8FINEPLAS	Nylon washer Ø8.1x14x0.5mm	Rondelle plate nylon Ø8.1x14x0.5mm	
13	2	L3169X40ZN	Separate footplate basculing size 36-40 cm	Basculeur bi palette taille 36-40 cm	L2 = 96mm
		L3169X44ZN	Separate footplate basculing size 44-48 cm	Basculeur bi palette taille 44-48 cm	L2 = 126mm
14	2	L0003520FO	Black cap for tube 35x20mm	Bouchon plastique noir 35x20mm	

Kneerest





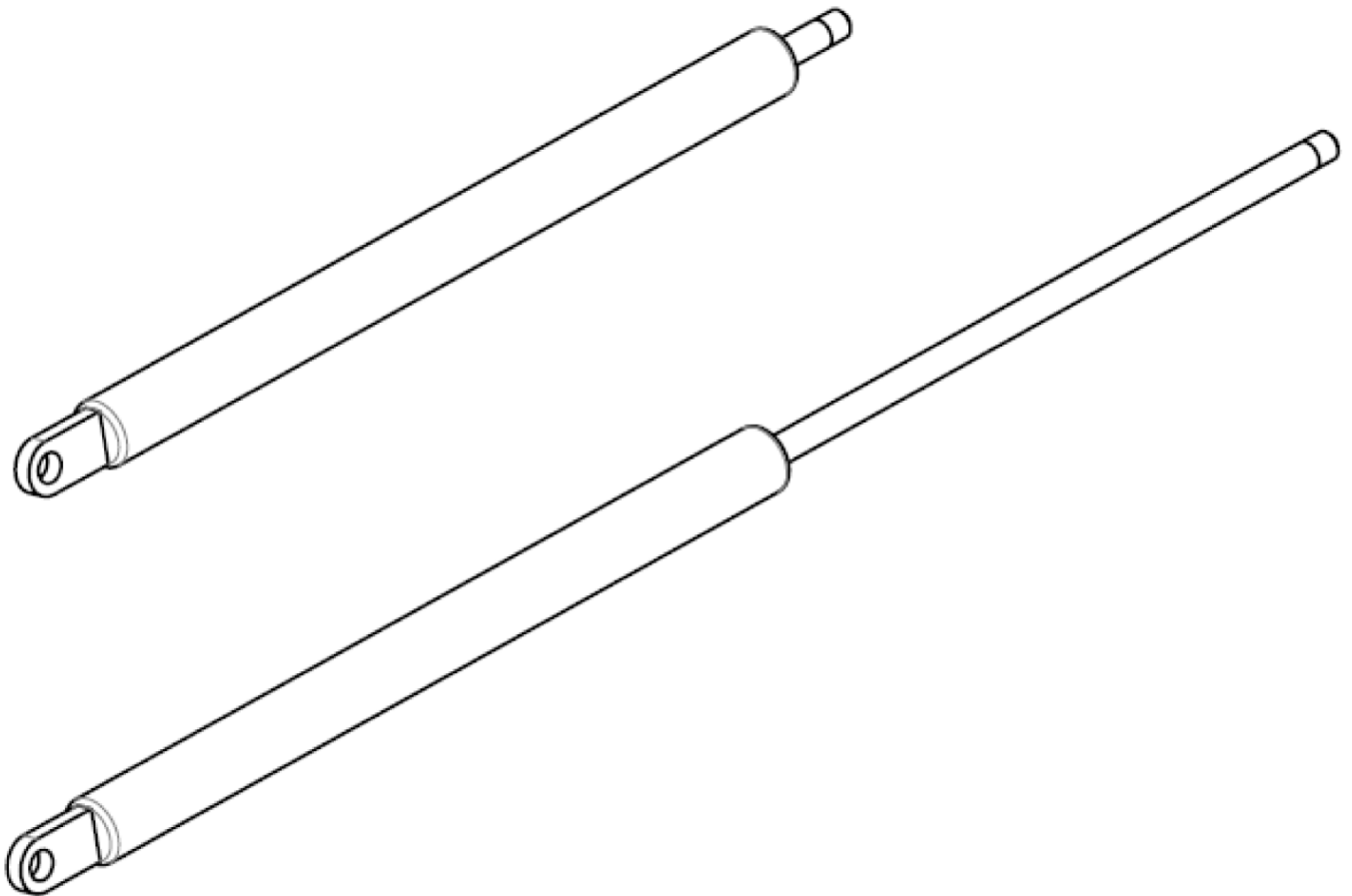
LSR	SPARE PART CATALOG		 
Item N° 323237	Revision C	Date 08/09/2016	Page 45 of 79
Kneerest			

Kneerest

Pos	Qty	Stock Code	Description En	Description Fr	Remark
1	2	L3016XXXFO	Cover for confort kneepad	Housse de genouillère	
2	2	L3017XXXFO	Foam for confort kneepad	Coussinet genouillère mousse	
3	8	VIS-CHC5X10ZN	Hexagon socket head cap screw M5x10	Vis tête cylindrique M5x10 six pans creux	
4	2	L3111XXXFO	Polyurethane knee-support	Genouillère polyuréthane surmoulée	
5	2	L3112FXXAI	Knee-support nut	Noix de genouillère fendue	
6	2	VIS-CHC5X16ZN	Hexagon socket head cap screw M5x16	Vis tête cylindrique M5x16 six pans creux	
7	1	L3145L36PN	Left knee support tube size 36 cm	Tube genouillère gauche taille 36 cm	
		L3145L40PN	Left knee support tube size 40 cm	Tube genouillère gauche taille 40 cm	
		L3145L44PN	Left knee support tube size 44 cm	Tube genouillère gauche taille 44 cm	
		L3145L48PN	Left knee support tube size 48 cm	Tube genouillère gauche taille 48 cm	
8	2	VIS-HC6X30ZN	Hexagon socket set screw M6x30	Vis sans tête M6x30 six pans creux	
9	1	L3060XXXFO	Locking knee support set	Verrou genouillère	
10	1	L3145R36PN	Right knee support tube size 36 cm	Tube genouillère droit taille 36 cm	
		L3145R40PN	Right knee support tube size 40 cm	Tube genouillère droit taille 40 cm	
		L3145R44PN	Right knee support tube size 44 cm	Tube genouillère droit taille 44 cm	
		L3145R48PN	Right knee support tube size 48 cm	Tube genouillère droit taille 48 cm	
11	1	L0005221FO	Black cap for tube Ø22.1mm	Bouchon plastique noir pour tube Ø22.1mm	
12	2	L3013ITTFO	Kit foam + cover for confort kneepad (unit)	Kit housse + coussinet confort (l'unité)	
13	2	L3110XXXFO	Kit confort kneepad (unit)	Kit genouillère confort (l'unité)	
14	1	L3100XXXFO	Kit confort kneepads (pair)	Kit genouillères confort (paire)	
15	1	322896	Kit spacers kneerest	Kit entretoises genouillères	See table below to determine the number of spacer(s) and the length of screws

Spacing L (mm) (see picture p.46) / Espacement L (mm) (voir schéma p.46)	0	10	20	30
Quantity of spacer(s) 614472 (for 1 kneepad) / Nombre d'entretoise(s) (pour 1 genouillère)	0	4	8	12
Quantity of screws (for 1 kneepad) / Nombre de vis (pour 1 genouillère)	4	4	4	4
References of screws / Références des vis	VIS-CHC5X10ZN	VIS-CHC5X20ZN	600686 (CHC 5x30)	VIS-CHC5X40ZN

LSR	SPARE PART CATALOG		 
Item N° 323237	Revision C	Date 08/09/2016	Page 46 of 79
Gas strut			



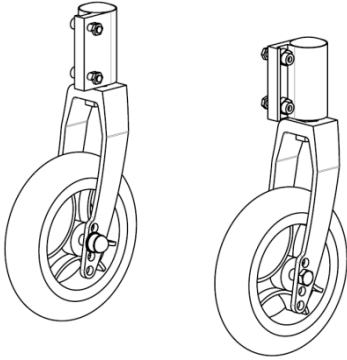


Gas strut

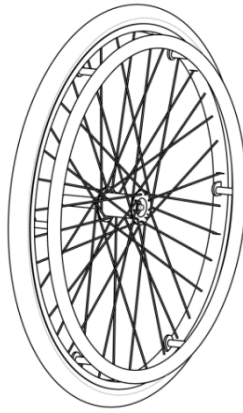
Gas strut

Pos	Qty	Stock Code	Description En	Description Fr	Remark
1	2	A8200XXFO	Gas strut Liftline 200N	Vérin Liftline 200N	To make 250N use 1x 200N and 1x 300N
2		A8300XXFO	Gas strut Liftline 300N	Vérin Liftline 300N	To make 350N use 1x 300N and 1x 400N
3		A8400XXFO	Gas strut Liftline 400N	Vérin Liftline 400N	To make 450N use 1x 400N and 1x 500N
4		A8500XXFO	Gas strut Liftline 500N	Vérin Liftline 500N	To make 550N use 1x 500N and 1x 600N
5		A8600XXFO	Gas strut Liftline 600N	Vérin Liftline 600N	To make 650N use 1x 600N and 1x 700N
6		A8700XXFO	Gas strut Liftline 700N	Vérin Liftline 700N	To make 750N use 1x 700N and 1x 800N
7		A8800XXFO	Gas strut Liftline 800N	Vérin Liftline 800N	

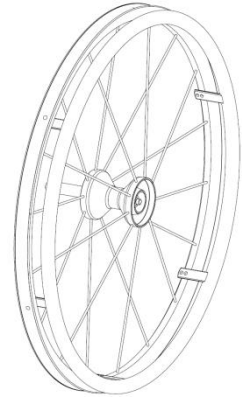
Wheels



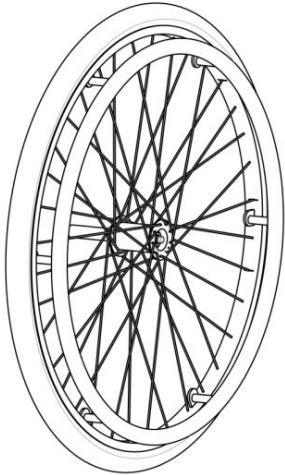
1



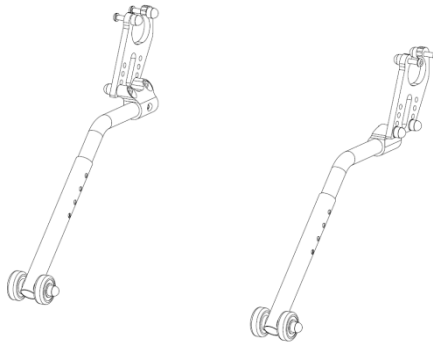
2



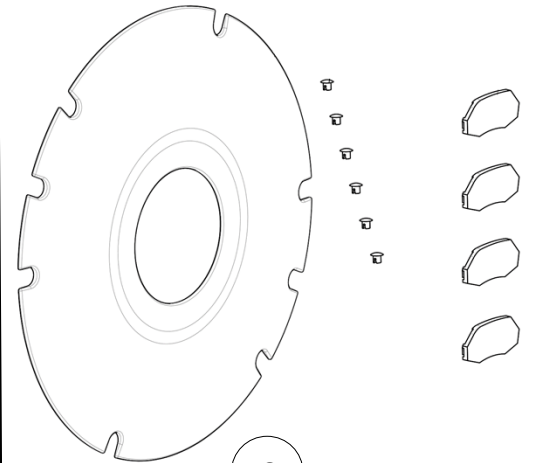
3



4



5



6

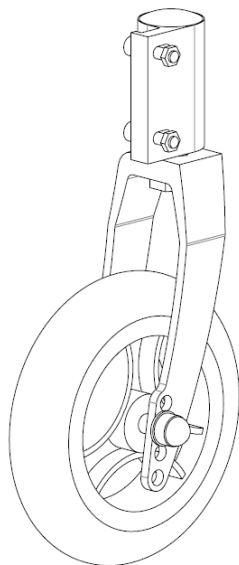
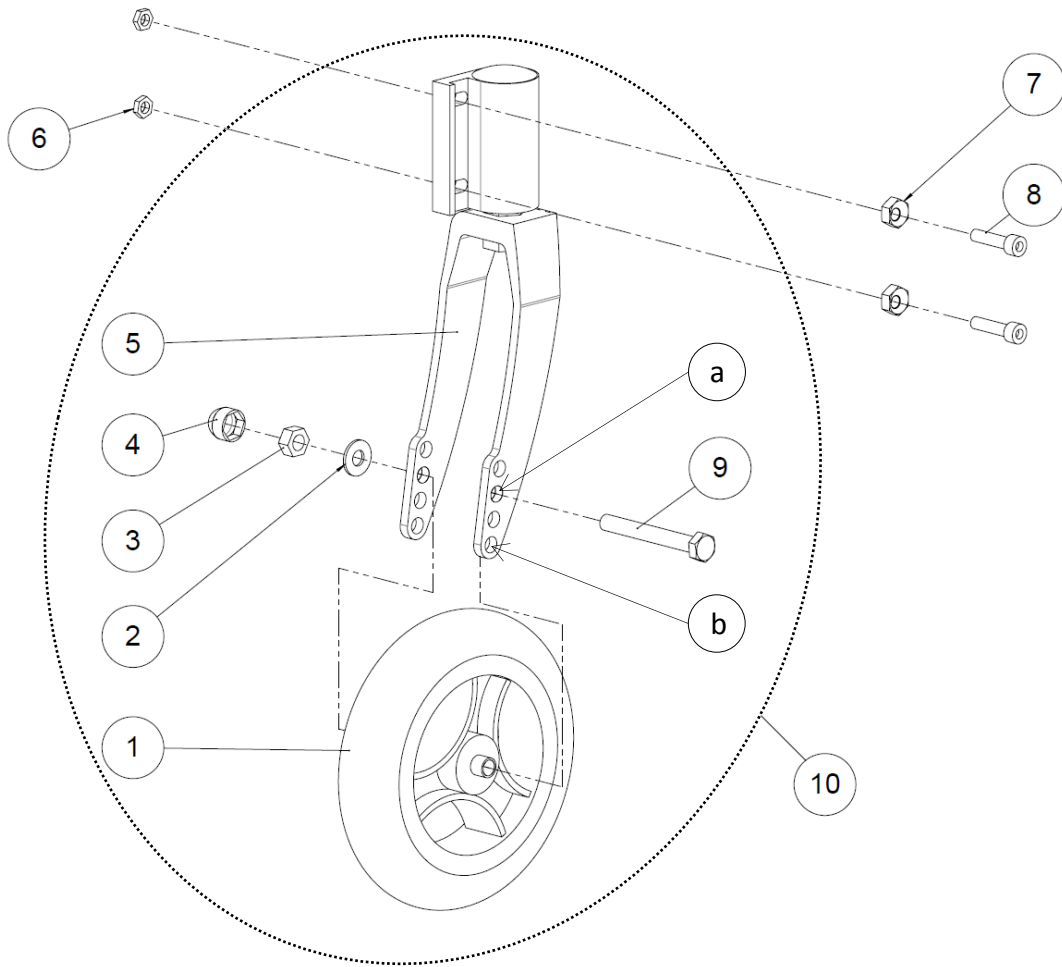
Wheels

Wheels

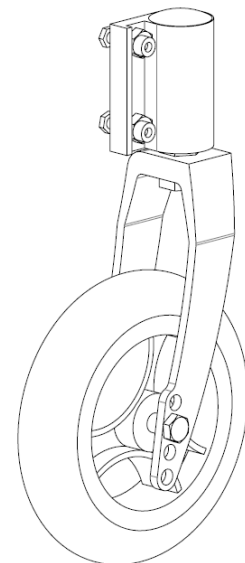
Pos	Qty	Stock Code	Description En	Description Fr	Remark
1	1		Front wheels 6'' soft roller	Roues avant 6'' soft roller	See exploded view p.52
2	1		Rear wheels 24''	Roue arrière 24''	See exploded view p.54
3	1		Rear wheels 24'' Spinergy	Roue arrière 24'' Spinergy	See exploded view p.58
4	1		Rear wheels 26''	Roue arrière 26''	See exploded view p.60
5	1		Anti-tipper wheels	Roulettes anti-bascule	See exploded view p.62
6	1		Rear wheels accessories	Accessoires roues arrières	See exploded view p.64

Wheels

Front wheels



Left side

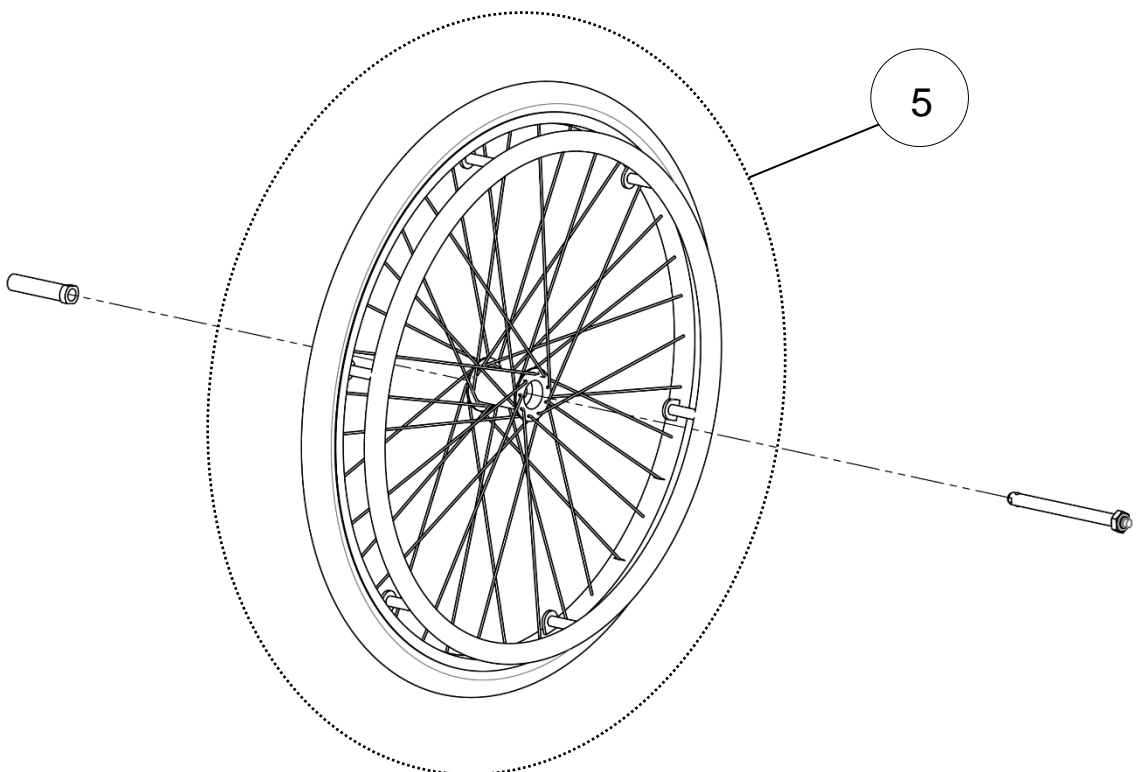
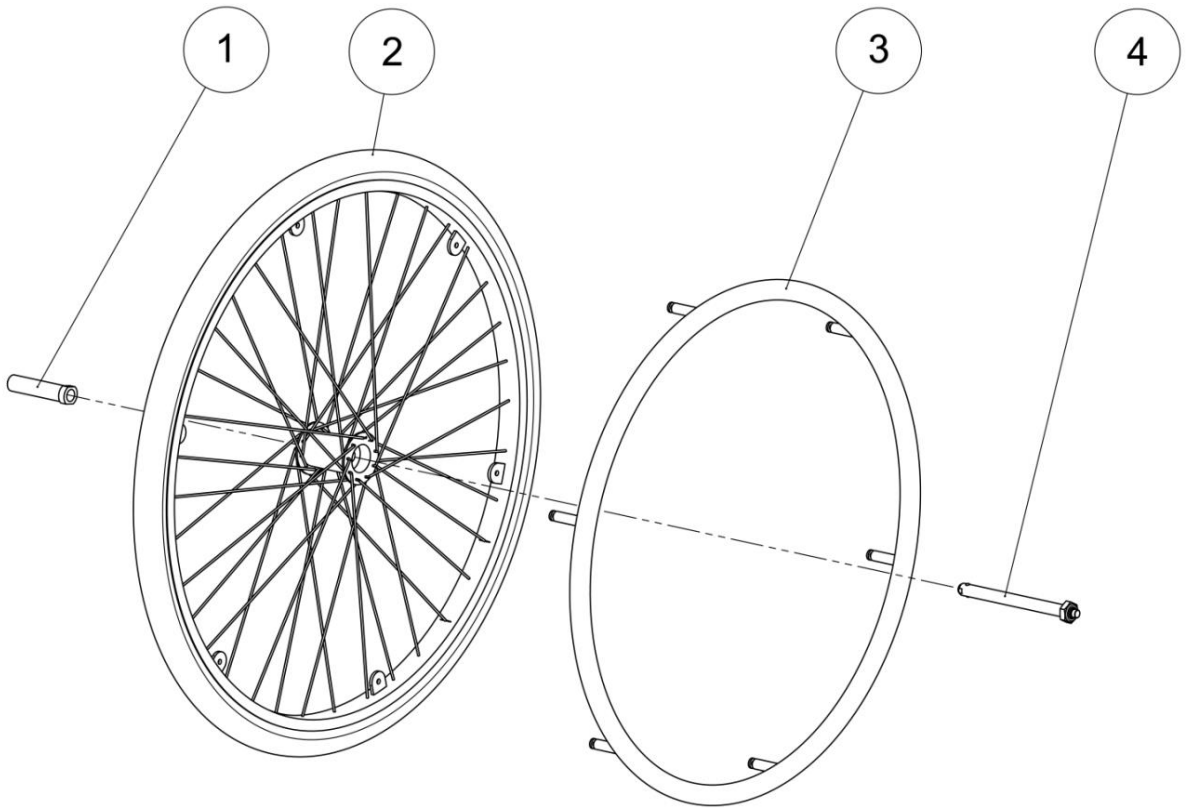


Right side

Wheels

Front wheels

Front wheels					
Pos	Qty	Stock Code	Description En	Description Fr	Remark
1	2	L7150BANFO	Front wheel 6"x1"	Roue avant 6"x1"	
2	2	RON-M8ZN	Plain washer Ø8	Rondelle plate M Ø8	
3	2	ECR-HFR8ZN	Prevailing torque type hexagon nut M8	Ecrou frein M8	
4	2	C0214XXXFO	Nut cap M8	Cache écrou M8	
5	1		Left fork + bearings + plastic cap	Fourche gauche + roulements + capuchon plastique	NOT FOR SALE
	1		Right fork + bearings + plastic cap	Fourche droite + roulements + capuchon plastique	NOT FOR SALE
6	4	ECR-HM6ZN	Hexagon thin nut M6	Ecrou M6 bas	
7	4	L7007XXXFO	Flat excentric hexagonal nut	Ecrou excentrique hexagonal plat	
8	4	VIS-CHC6X25ZN	Hexagon socket head cap screw M6x25	Vis tête cylindrique M6x25 six pans creux	
9	2	VIS-H8X65ZN	Hexagon-head screw M8x65	Vis tête hexagonale M8x65	Hole a for rear wheel 24". Hole b for rear wheel 26".
10	1	L1233LXXFO	Kit left pivot + fork + wheel 6"	Kit pivot complet gauche + fourche + roue 6"	
	1	L1233RXXFO	Kit right pivot + fork + wheel 6"	Kit pivot complet droit + fourche + roue 6"	






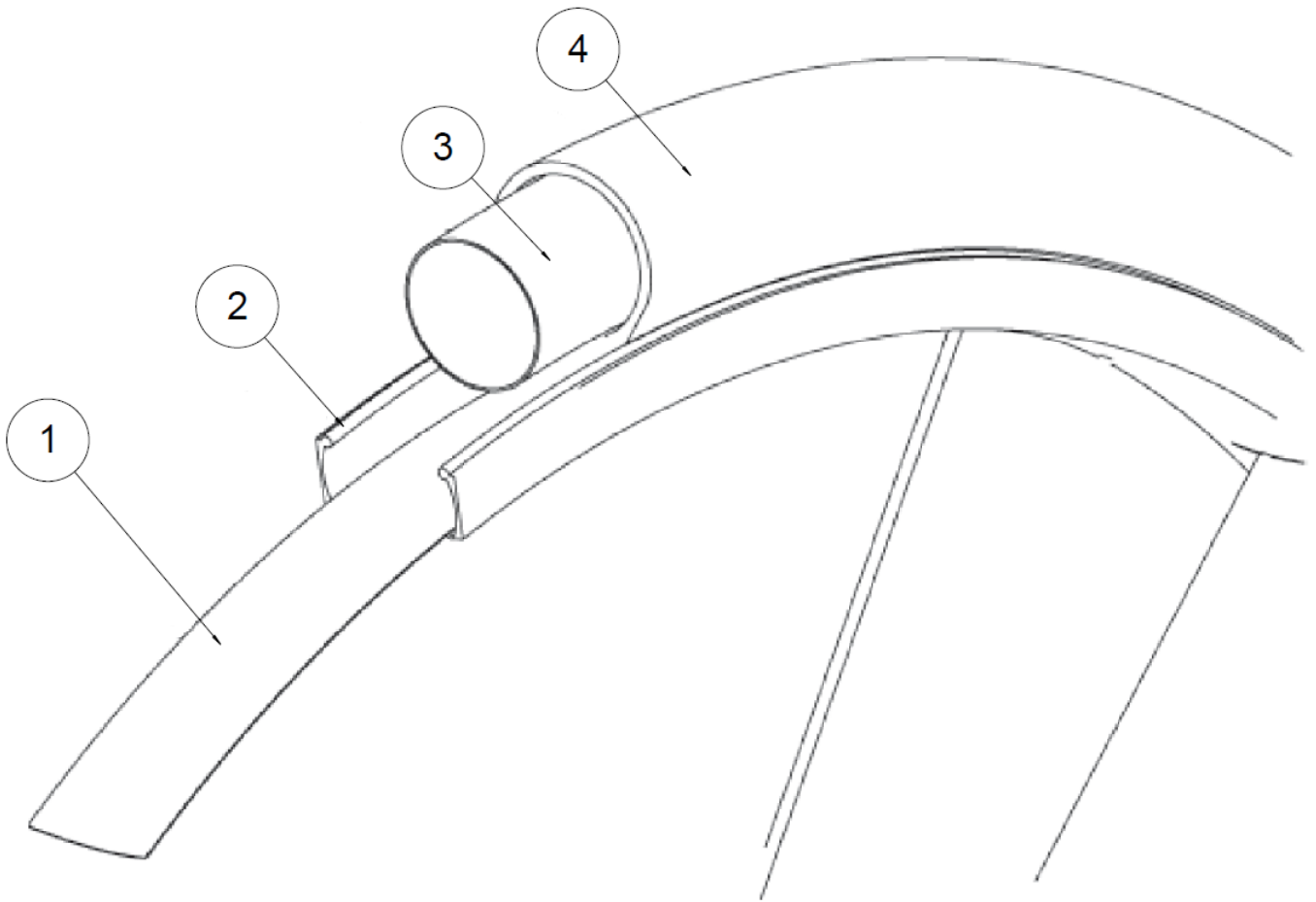
Wheels

Rear wheel 24"

Rear wheel 24"

Pos	Qty	Stock Code	Description En	Description Fr	Remark
1	1	L7005XLSFO	Long sleeve Ø12	Palier roue Ø12	
2	1		Lifestand rear wheel 24"	Roue Lifestand 24"	See exploded view p.56
		L7006XXXFO	Handrim 24" anodized clear	Main courante 24" anodisé incolore	Not compatible with Spinerge wheels
3	1	L7006CHRFO	Handrim 24" chromed	Main courante 24" chromée	Not compatible with Spinerge wheels
		L7006PVCFO	Handrim 24" smooth silicone cover	Main courante 24" PVC noir	Not compatible with Spinerge wheels
4	1	L7002XXXFO	Quick release axle long + nut M12	Axe QR long + écrou M12	
5	1	L7602HPRFO	Complete wheel 24" anod. Clear handrim + HP tire	Roue complète 24"+ pneu HP	

LSR	SPARE PART CATALOG		
Item N° 323237	Revision C	Date 08/09/2016	Page 54 of 79
Wheels			Lifestand rear wheel 24"



Wheels

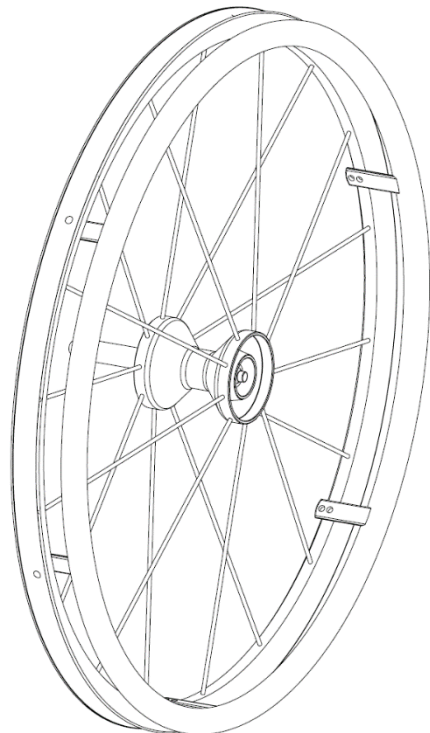
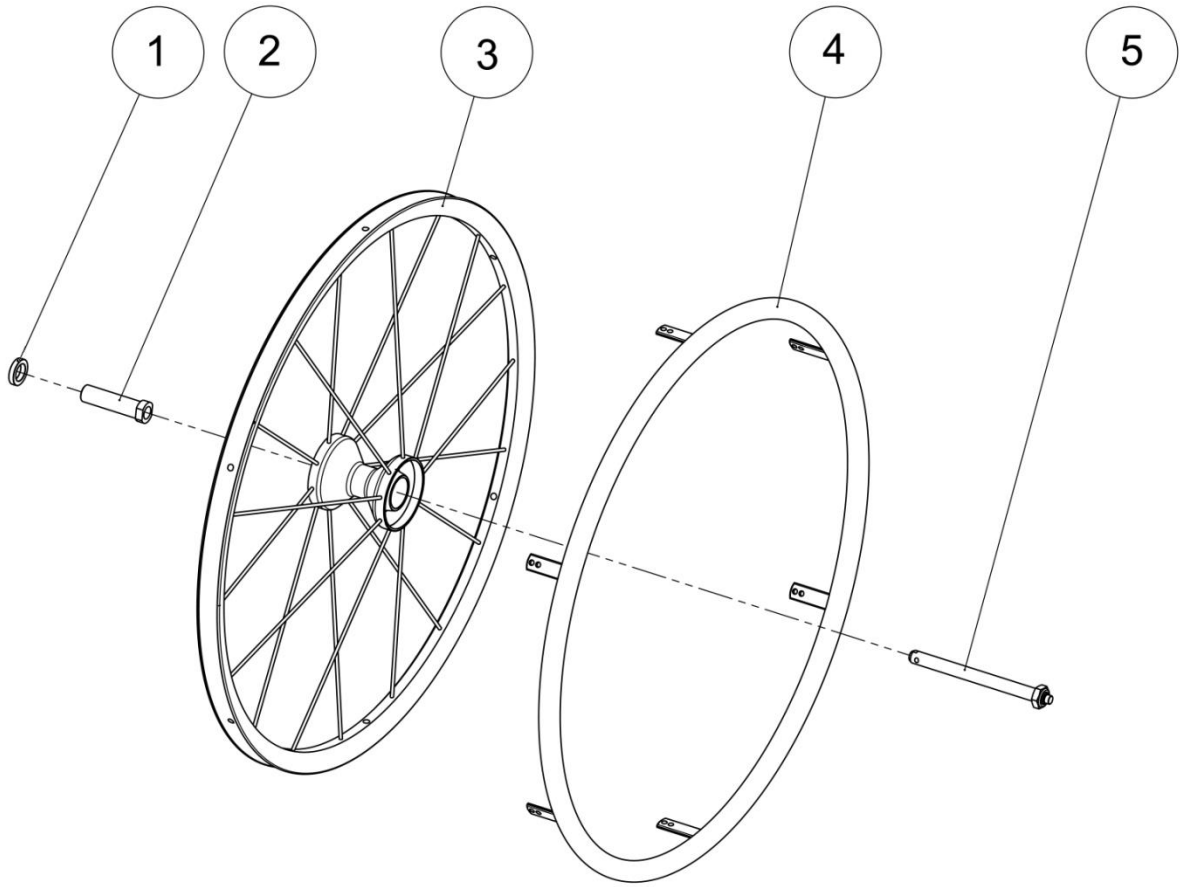
Lifestand rear wheel 24"

Lifestand rear wheel 24"

Pos	Qty	Stock Code	Description En	Description Fr	Remark
1	1	L7611FJXFO	Inside rim protection for rim 24"	Fond de jante pour jante 24"	
2	1	L7603NUEFO	Complete wheel hub without tire	Jante nue + main courante	
3	1	L7611HPRFO	Tube high pressure for tire 24"	Chambre à air HP pour pneu 24"	
		L7611STDFO	Tube standard for tire 24"	Chambre à air standard pour pneu 24"	
4	1	L7601HPRFO	High pressure tire 24"	Pneu 24" HP	
		L7601MARFO	Tire 24" marathon evolution	Pneu 24" marathon evolution	
		L7601STDFO	Standard tire 24"	Pneu 24" standard	
		N-BA600100L	Flat free tire 24"x 1" glossy finish	Bandage 24"x 1" lisse	
		N-BA600138L	Flat free tire 24"x 1"3/8 glossy finish	Bandage 24"x 1"3/8 lisse	NOT COMPATIBLE WITH SPINERGY WHEELS
		N-BA600138C	Soly poly 24"x 1"3/8	Bandage 24"x 1"3/8 cranté	NOT COMPATIBLE WITH SPINERGY WHEELS

Wheels

Rear wheel 24" Spinergy



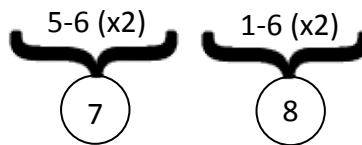
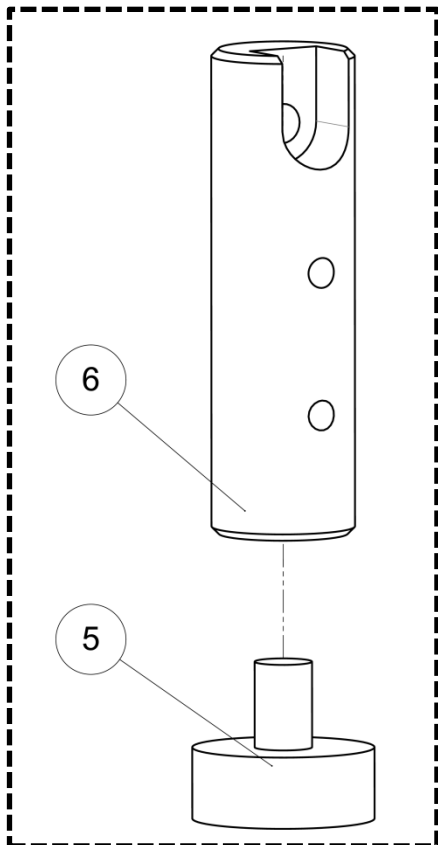
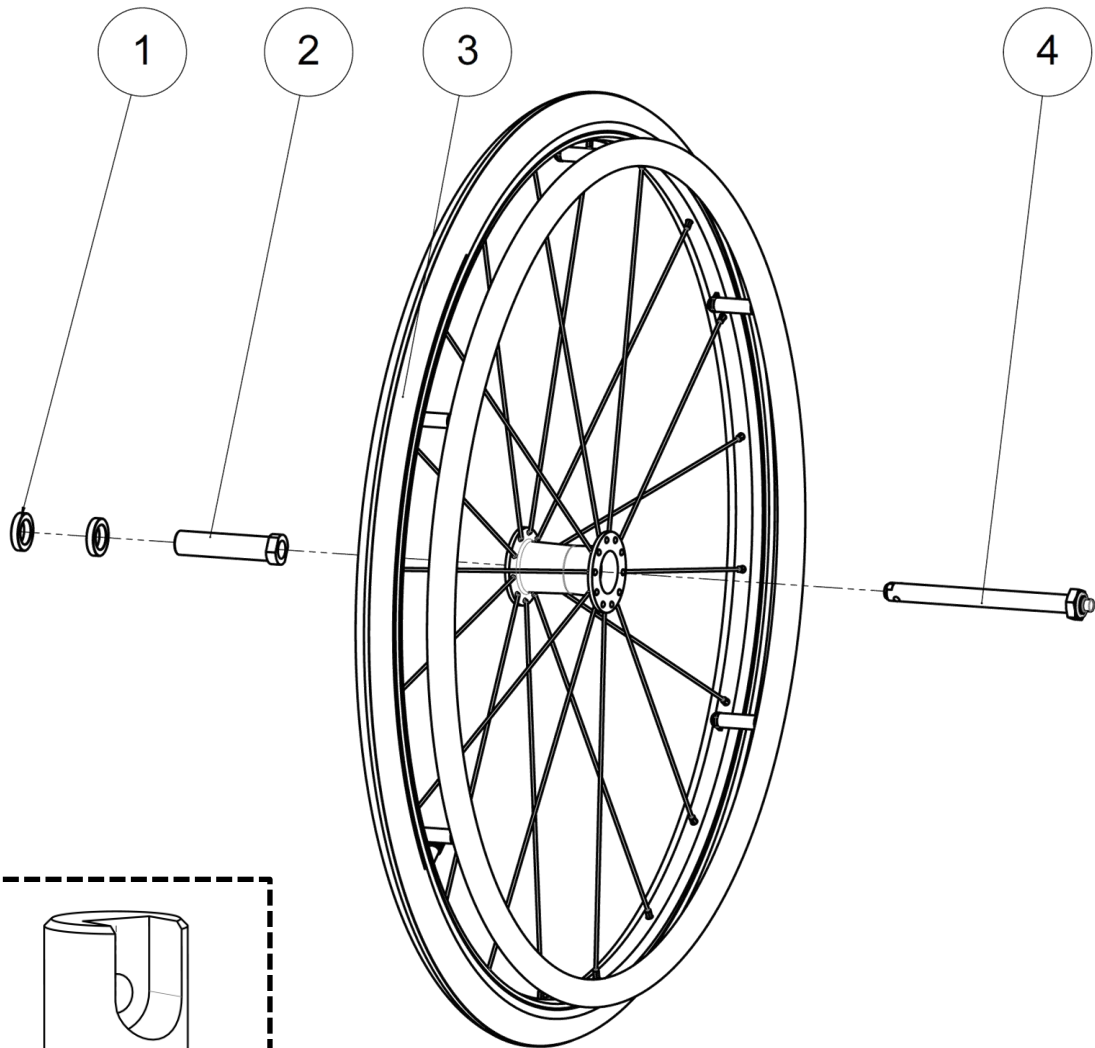


Wheels

Rear wheel 24" Spinergy



Rear wheel 24" Spinergy

Pos	Qty	Stock Code	Description En	Description Fr	Remark
1	1	A7001XXXFO	Rear wheel wedging washer	Rondelle de calage roue arrière	
2	1	L7005XXXFO	Bearing + nut for spinergy	Palier court 67mm	Only for Spinergy wheels
3	1	A7600ROUFO	Spinergy rim red spokes	Jante Spinergy rayons rouges	
		A7600BLEFO	Spinergy rim blue spokes	Jante Spinergy rayons bleus	
		A7600WHIFO	Spinergy rim white spokes	Jante Spinergy rayons blancs	
		A7600NOIFO	Spinergy rim black spokes	Jante Spinergy rayons noirs	
4	1	A7006XXXFO	Anodized push rim - black	Main courante anodisée noire	Only for Spinergy wheels
		A7006PVCFO	Rubber coated push rim 24" black	Main courante 24" PVC noir	
5	1	L7002XXXFO	Quick release axle long + nut M12	Axe QR long + écrou M12	

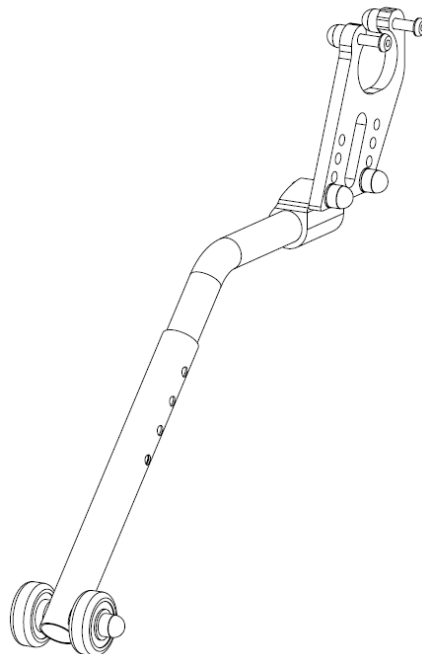
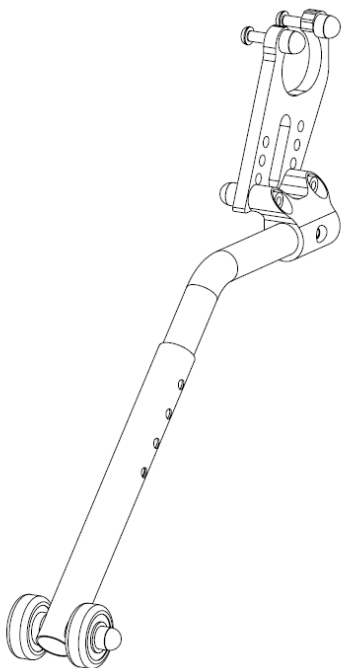
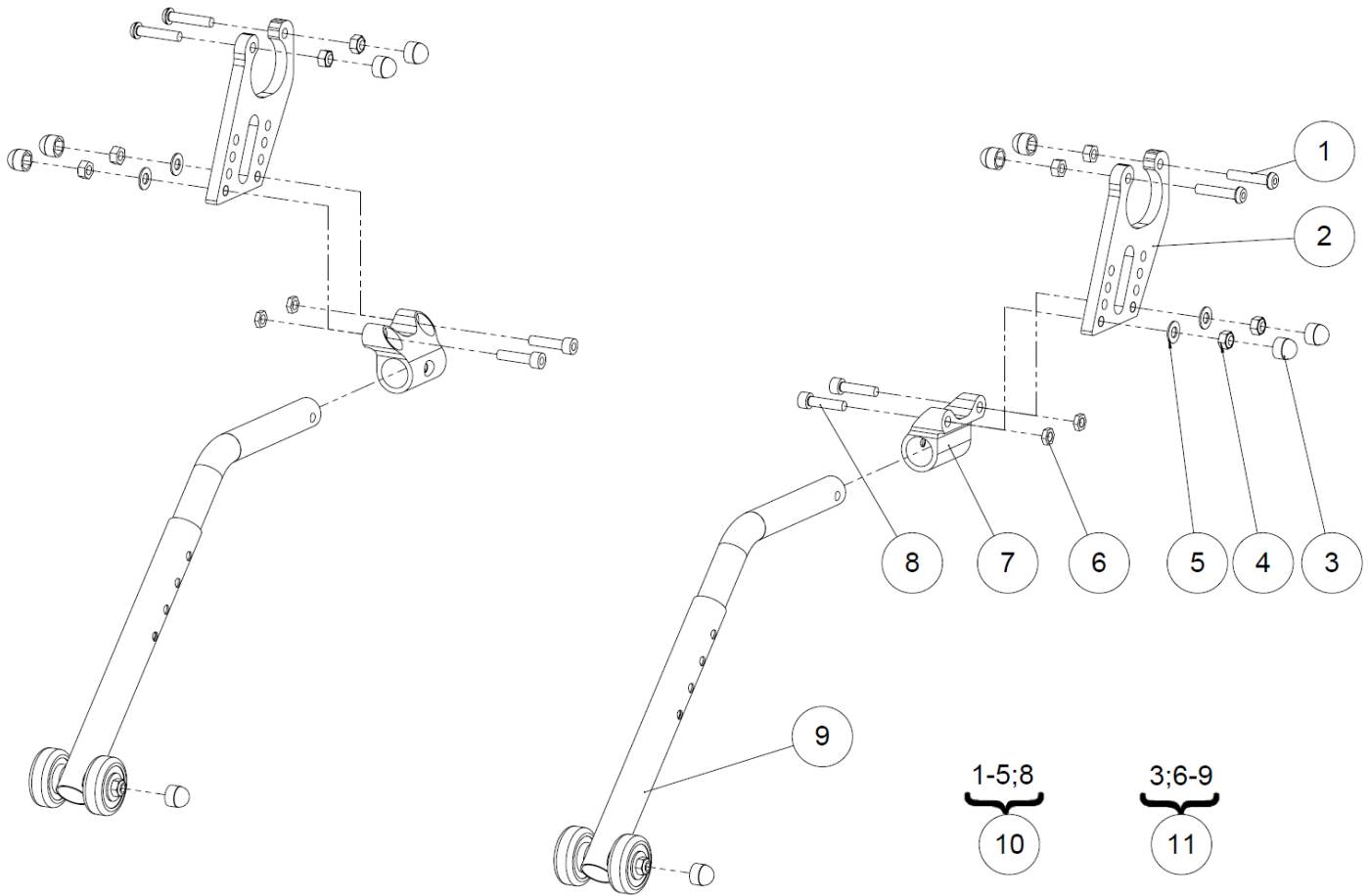


Rear wheels 26'' =

- Kit footrest extension (pair) 322607

LSR	SPARE PART CATALOG		 
Item N° 323237	Revision C	Date 08/09/2016	Page 59 of 79
Wheels			Rear wheel 26"

Rear wheel 26"					
Pos	Qty	Stock Code	Description En	Description Fr	Remark
1	2	A7001XXXFO	Rear wheel wedging washer	Rondelle de calage roue arrière	
2	1	L7005XLSFO	Long sleeve Ø12	Palier roue Ø12	
3	1	A7650X02FO	Complete wheel 26" anod. clear handrim + HP tire	Roue Ø26" complète roue + main courante + pneu	Can be mounted only if wheelchair is equipped with footrest extensions (322607)
4	1	L7002XXXFO	Quick release axle long + nut M12	Axe QR long + écrou M12	
5	1	C1007XXXFO	Shock absorber 10mm	Amortisseur 10mm	
6	1	A7650X01AI	Footrest extension	Rallonge repose pieds	
7	0.5	322607	Kit footrest extension (pair)	Kit extension tube jambier (paire)	
8	0.5	L7650XXXFO	Kit 26" wheels (pair)	Kit roues 26" (paire)	



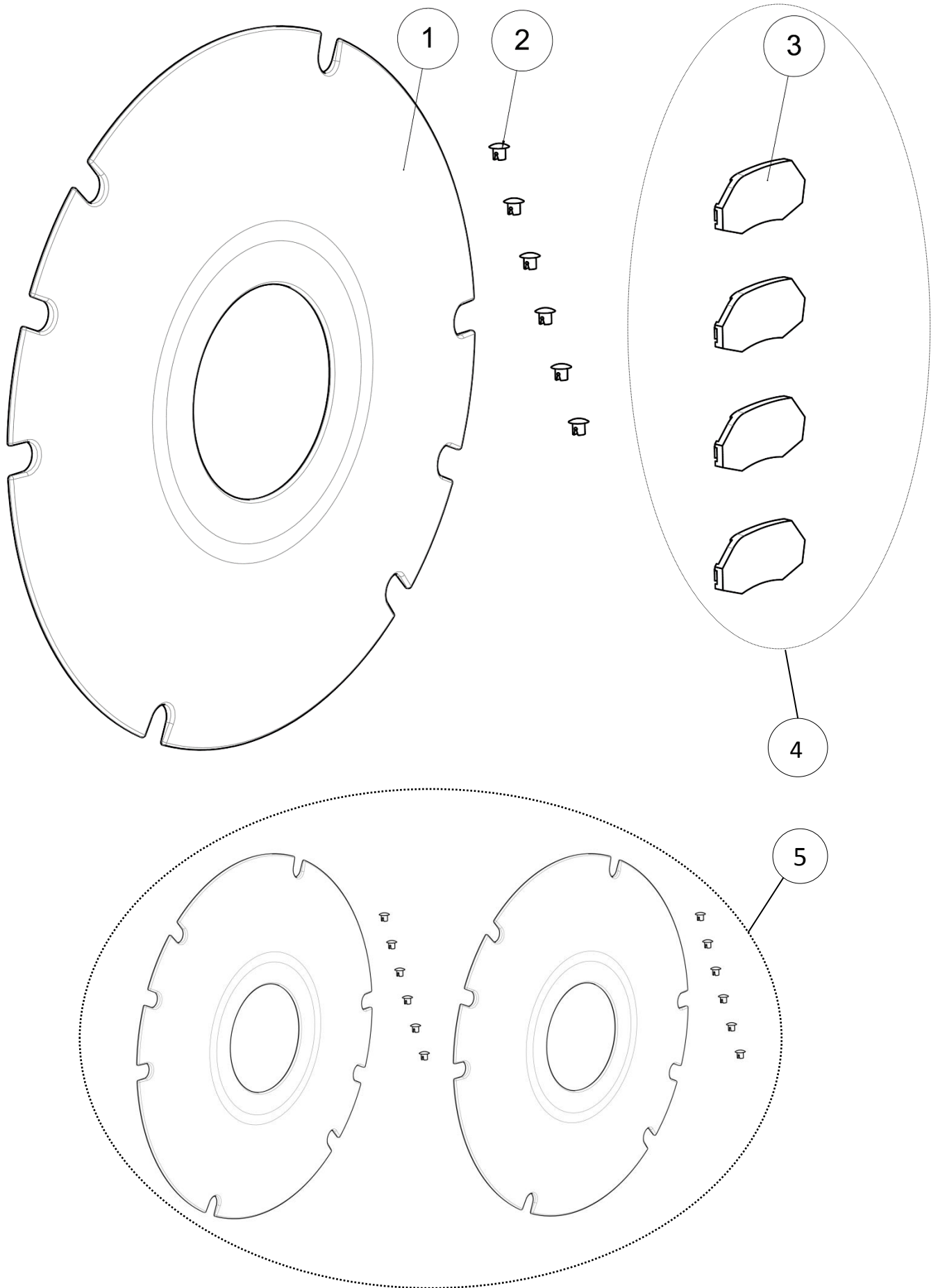




Wheels

Anti-tipper wheels

Anti-tipper wheels

Pos	Qty	Stock Code	Description En	Description Fr	Remark
1	4	VIS-CBHC6X30ZN	Hexagon socket button head screw M6x30	Vis tête bombée M6x30 six pans creux	
2	2	L1227XXXFO	Anti-tippers plate	Platine roulette anti-bascule	
3	10	C0215XXXFO	Nut cap M6	Cache écrou M6	
4	8	ECR-HFR6ZN	Prevailing torque type hexagon nut M6	Ecrou frein M6	
5	4	RON-M6ZN	Plain washer Ø6	Rondelle plate M Ø6	
6	4	ECR-HM6ZN	Hexagon thin nut M6	Ecrou bas M6	
7	2	A9001XXXAI	Anti tip bar fitting	Support roulette anti-bascule	
8	4	VIS-CHC6X25ZN	Hexagon socket head cap screw M6x25	Vis tête cylindrique M6x25 six pans creux	
9	1	L9020XXXFO	Anti-tipper wheels (pair)	Roulettes anti-bascule (paire)	
10	1	L1229XXXFO	Kit extension for anti-tippers (pair)	Kit extensions roulettes anti-bascule (paire)	
11	1	323361	Kit anti-tippers wheels (pair)	Kit roulettes anti-bascule (paire)	

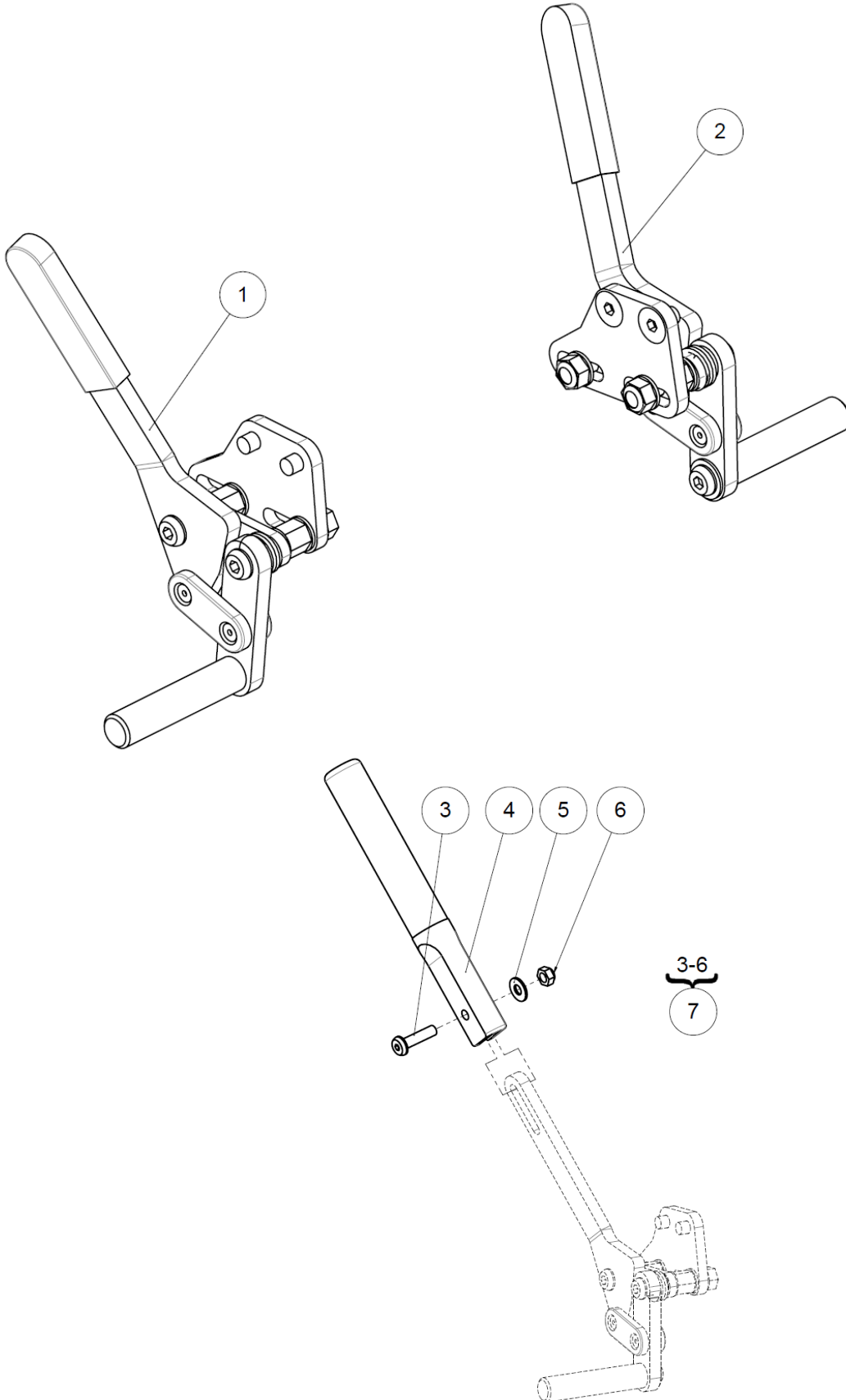




LSR	SPARE PART CATALOG		 
Item N° 323237	Revision C	Date 08/09/2016	Page 63 of 79
Wheels		Rear wheels accessories	

Rear wheels accessories

Pos	Qty	Stock Code	Description En	Description Fr	Remark
1	2	L7003145FO	Spoke guard 24''	Flasque Øint 145 Øext 600mm	
2	12	L7003XXXFO	Clips for spoke guard	Clips flasque de roue	
3	4	L0014XXXFO	Reflector	Catadioptré	NOT COMPATIBLE WITH SPINERGY
4	1	L7121XXXFO	Kit 4 reflectors	Kit 4 catadioptrés	NOT COMPATIBLE WITH SPINERGY
5	1	L7120XXXFO	Kit spoke guards 24'' (pair)	Kit flasques de roues 24'' (paire)	

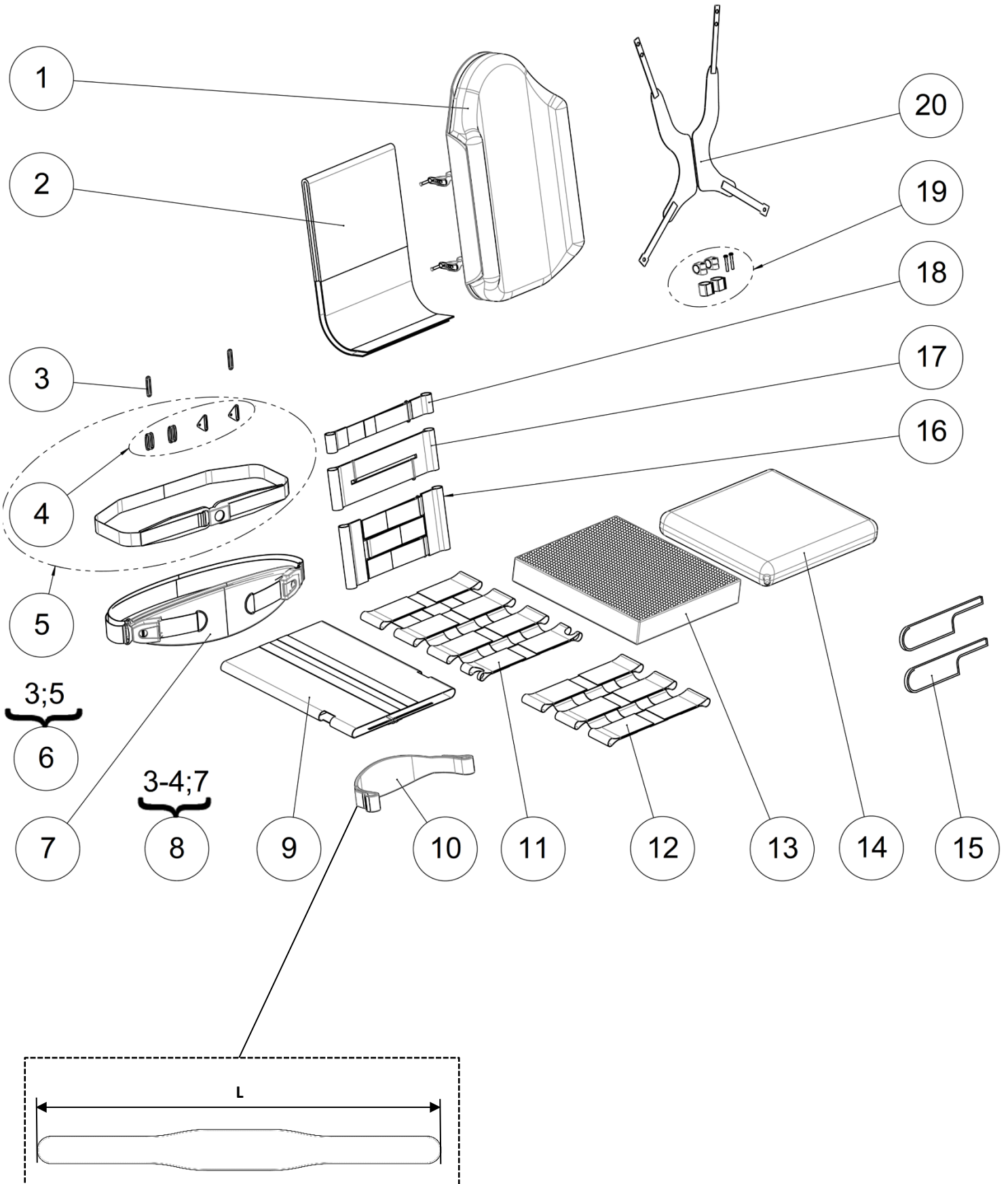
Brakes



LSR	SPARE PART CATALOG		 
Item N° 323237	Revision C	Date 08/09/2016	Page 65 of 79
Brakes			

Brakes					
Pos	Qty	Stock Code	Description En	Description Fr	Remark
1	1	L1231RXXFO	Right brake	Frein droit	
2	1	L1231LXXFO	Left brake	Frein gauche	
3	1	VIS-CBHC5X20ZN	Hexagon socket button head screw M5x20	Vis tête bombée M5x20 six pans creux	
4	1	L1126XXXFO	Brake lever for hinged handle	Rallonge poignée frein escamotable	
5	1	RON-M5ZN	Plain washer Ø5	Rondelle plate M Ø5	
6	1	ECR-HFR5ZN	Prevailing torque type hexagon nut M5	Ecrou frein M5	
7	1	L1125XXXFO	Kit brake extension (pair)	Kit extension de frein (paire)	


Textiles

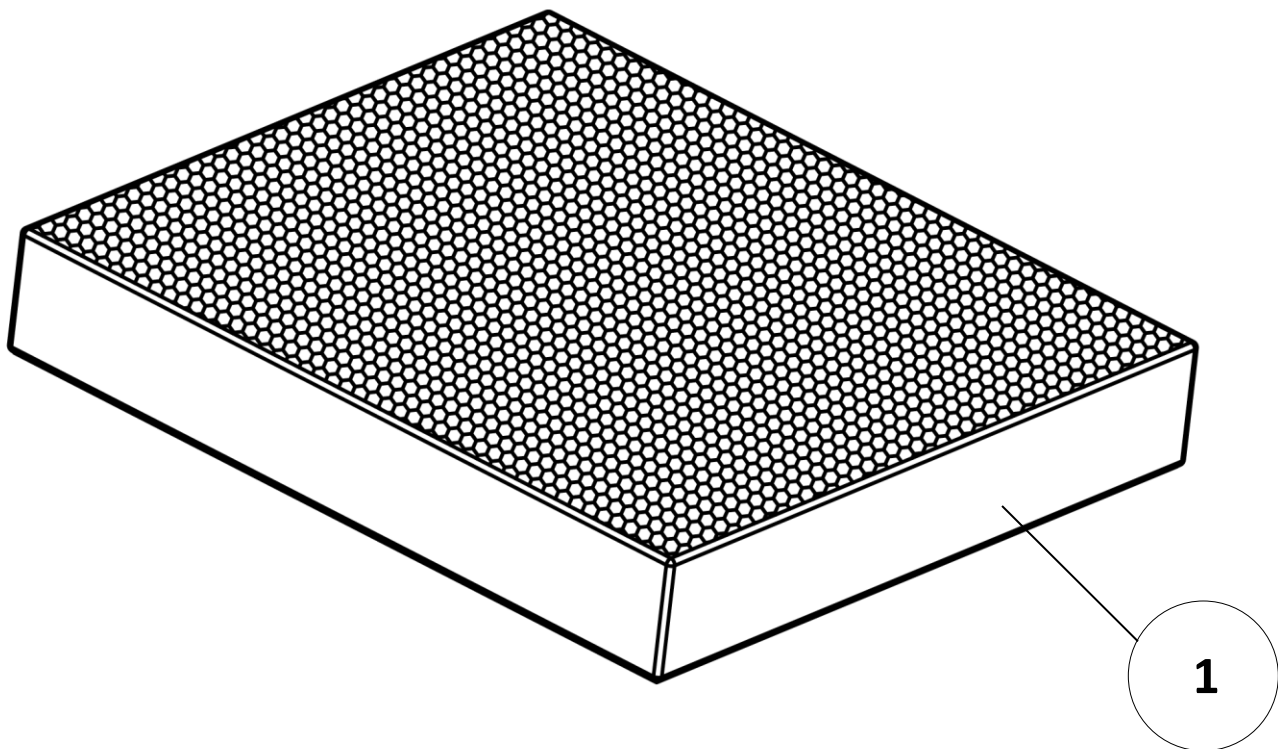




Textiles

Textiles

Pos	Qty	Stock Code	Description En	Description Fr	Remark
1	1		Varilite backrest	Dossier Varilite	See all sizes p.72
2	1	L6005X36FO	Standard backrest cover size 36 cm	Couvre dossier standard taille 36 cm	
		L6005X40FO	Standard backrest cover size 40 cm	Couvre dossier standard taille 40 cm	
		L6005X44FO	Standard backrest cover size 44-48 cm	Couvre dossier standard taille 44-48 cm	
		L6005H40FO	Extended backrest cover size 36-40 cm	Couvre dossier rehaussé taille 36-40 cm	
		L6005H44FO	Extended backrest cover size 44 cm	Couvre dossier rehaussé taille 44 cm	
		L6005H48FO	Extended backrest cover size 48 cm	Couvre dossier rehaussé taille 48 cm	
3	2	L6008XXXFO	Metal ring	Boucle métallique	
4	1	N-POBAS50	Fixation kit	Kit de fixation	
5	1		Bodypoint chest strap S/M	Ceinture ventrale S&M	NOT FOR SALE N-POBAS30
			Bodypoint chest strap L	Ceinture ventrale L	NOT FOR SALE N-POBAS31
6	1	322914	Kit Bodypoint chest strap S/M	Kit ceinture ventrale S&M	
		322915	Kit Bodypoint chest strap L	Kit ceinture ventrale L	
7	1		Bodypoint large abdominal strap	Sangle abdominale	NOT FOR SALE N-POBAS40
8	1	322916	Kit Bodypoint large abdominal strap	Kit sangle abdominale	
9	1	L6006X40FO	Adjustable tense seat size 36-40 cm	Assise en toile tendue taille 36-40 cm	
		L6006X44FO	Adjustable tense seat size 44-48 cm	Assise en toile tendue taille 44-48 cm	
10	1	N-POMOL05	Padded calf panel M	Sangle mollet rembourrée M	L = 890 mm
		N-POMOL06	Padded calf panel L	Sangle mollet rembourrée L	L = 1000 mm
11	1	L6001XX4FO	Four-strap seat for size 44-48 cm	Assise 4 sangles taille 44-48 cm	
12	1	L6001XX3FO	Three-strap seat for size 36-40 cm	Assise 3 sangles taille 36-40 cm	
13	1		Seat cushion visco	Coussin visco	See all sizes p.70
14	1		Varilite cushion	Coussin Varilite	See all sizes p.72
15	1	L1228XXXFO	Right sandow cover	Housse droite pour sandow	
		L1234XXXFO	Left sandow cover	Housse gauche pour sandow	
16	1	L6002XX3FO	Universal three-strap backrest stay	Sous-dossier 3 sangles taille unique	
17	1	L6002XX2FO	Universal two-strap backrest stay	Sous-dossier 2 sangles taille unique	
18	1	L6002XX1FO	Universal one-strap backrest stay	Sous-dossier 1 sangle taille unique	
19	1	N-PODOS01	Framesaver clamp	Adaptateur tubulaire dossier	
20	1	N-POTRO20	Trunk harness stayflex S large-men	Harnais bustier stayflex S large-homme	To be install on belt fixing kit L9029XXXFO (page 22)
		N-POTRO21	Trunk harness stayflex M large-men	Harnais bustier stayflex M large-homme	
		N-POTRO22	Trunk harness stayflex L large-men	Harnais bustier stayflex L large-homme	
		N-POTRO23	Trunk harness stayflex XL large-men	Harnais bustier stayflex XL large-homme	
		N-POTRO31	Trunk harness stayflex M narrow-women	Harnais bustier stayflex M étroit-femme	
		N-POTRO32	Trunk harness stayflex L narrow-women	Harnais bustier stayflex L étroit-femme	
N-POTRO33	Trunk harness stayflex XL narrow-women	Harnais bustier stayflex XL étroit-femme			


LSR	SPARE PART CATALOG		
Item N° 323237	Revision C	Date 08/09/2016	Page 68 of 79
Textiles			Seat cushion visco



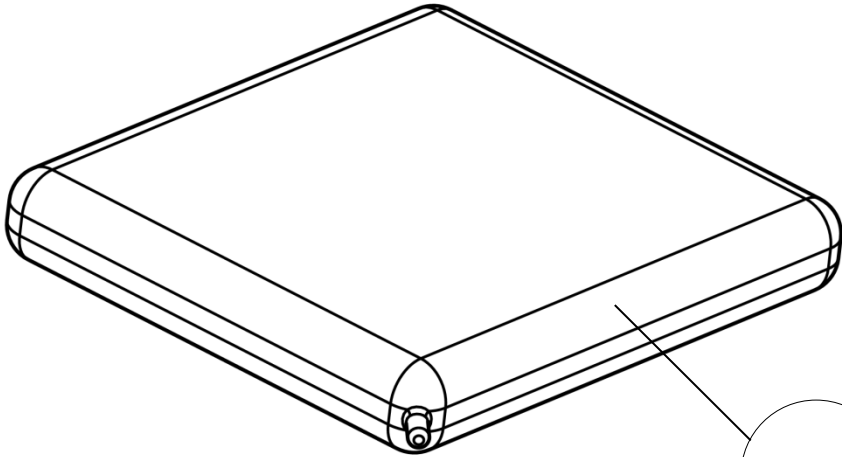
LSR	SPARE PART CATALOG		 
Item N° 323237	Revision C	Date 08/09/2016	Page 69 of 79
Textiles			Seat cushion visco

Seat cushion visco

Pos	Qty	Stock Code	Description En	Description Fr	Remark
1	1	L6110X36FO	Seat cushion visco size 36x40x7 cm	Coussin visco taille 36x40x7 cm	
		321243	Seat cushion visco size 36x47x7 cm	Coussin visco taille 36x47x7 cm	
		321244	Seat cushion visco size 36x53x7 cm	Coussin visco taille 36x53x7 cm	
		L6110X40FO	Seat cushion visco size 40x45x7 cm	Coussin visco taille 40x45x7 cm	
		L6110X4048	Seat cushion visco size 40x48x7 cm	Coussin visco taille 40x48x7 cm	
		321248	Seat cushion visco size 40x53x7 cm	Coussin visco taille 40x53x7 cm	
		L6110X44FO	Seat cushion visco size 44x45x7 cm	Coussin visco taille 44x45x7 cm	
		L6110X4448	Seat cushion visco size 44x48x7 cm	Coussin visco taille 44x48x7 cm	
		321251	Seat cushion visco size 44x53x7 cm	Coussin visco taille 44x53x7 cm	
		L6110X48FO	Seat cushion visco size 48x48x7 cm	Coussin visco taille 48x48x7 cm	
321253	Seat cushion visco size 48x53x7 cm	Coussin visco taille 48x53x7 cm			

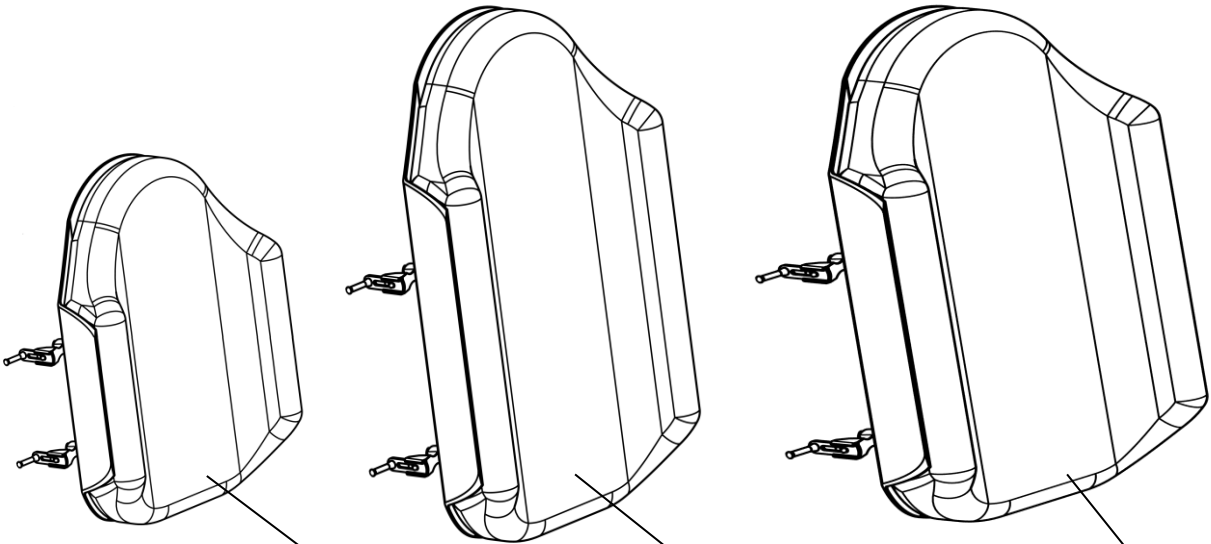
LSR	SPARE PART CATALOG		
Item N° 323237	Revision C	Date 08/09/2016	Page 70 of 79
Textiles		Varilite accessories	

Varilite cushion



1

Varilite backrest



2

3

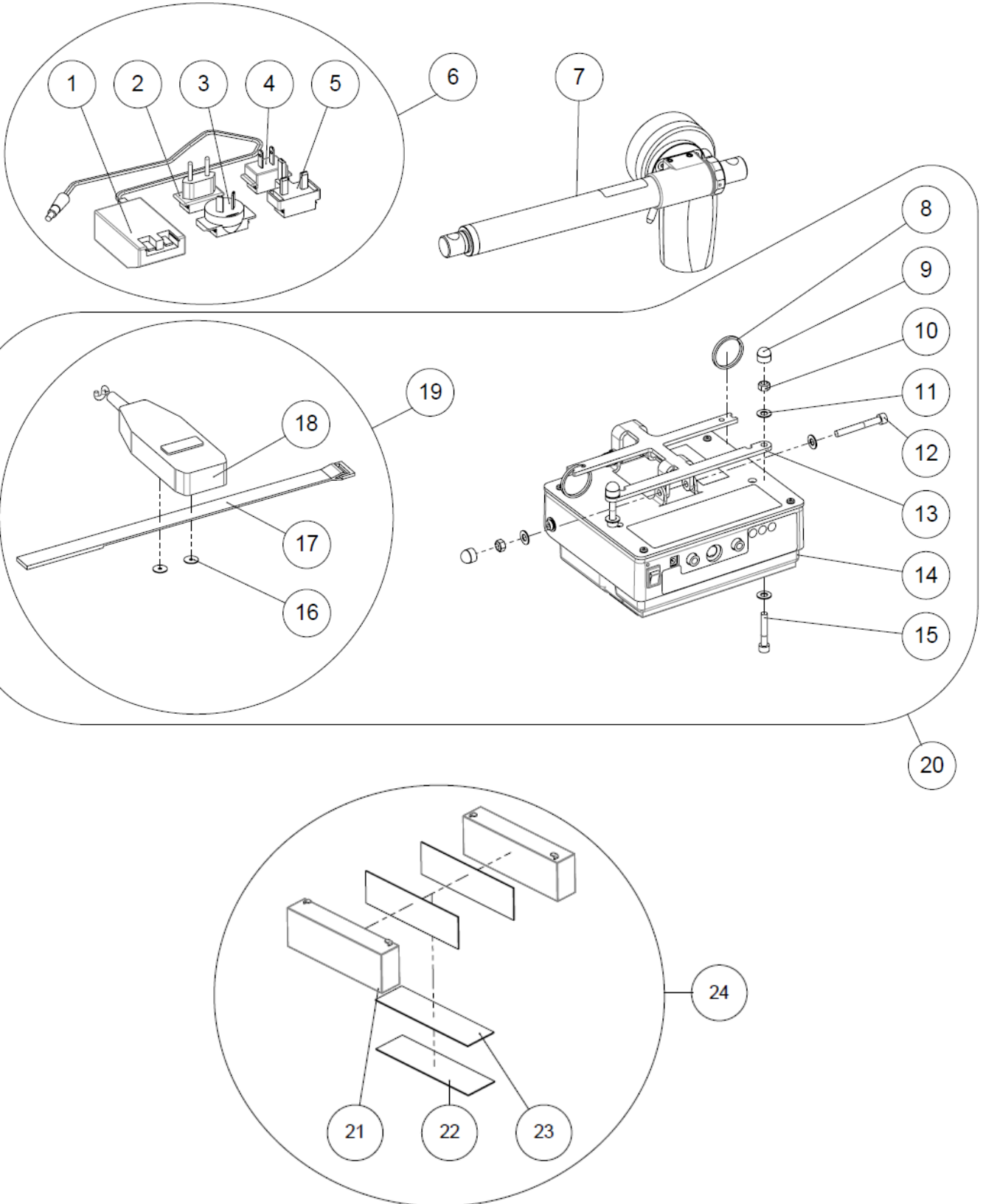
4





Varilite accessories


Pos	Qty	Stock Code	Description En	Description Fr	Remark		
1	1	N-COZOI02	Cushion Varilite ZOID 35x40 cm	Coussin Varilite ZOID 35x40 cm			
		N-COZOI03	Cushion Varilite ZOID 40x40 cm	Coussin Varilite ZOID 40x40 cm			
		N-COZOI04	Cushion Varilite ZOID 40x45 cm	Coussin Varilite ZOID 40x45 cm			
		N-COZOI05	Cushion Varilite ZOID 45x45 cm	Coussin Varilite ZOID 45x45 cm			
		N-COZOI06	Cushion Varilite ZOID 45x40 cm	Coussin Varilite ZOID 45x40 cm			
		N-COZOI09	Cushion Varilite ZOID 45x50 cm	Coussin Varilite ZOID 45x50 cm			
		N-COZOI07	Cushion Varilite ZOID 50x45 cm	Coussin Varilite ZOID 50x45 cm			
		N-COZOI08	Cushion Varilite ZOID 50x50 cm	Coussin Varilite ZOID 50x50 cm			
		N-COEVO03	Cushion Varilite EVOLUTION 35x40 cm	Coussin Varilite EVOLUTION 35x40 cm			
		N-COEVO035	Cushion Varilite EVOLUTION 35x45 cm	Coussin Varilite EVOLUTION 35x45 cm			
		N-COEVO04	Cushion Varilite EVOLUTION 40x40 cm	Coussin Varilite EVOLUTION 40x40 cm			
		N-COEVO05	Cushion Varilite EVOLUTION 40x45 cm	Coussin Varilite EVOLUTION 40x45 cm			
		N-COEVO06	Cushion Varilite EVOLUTION 40x50 cm	Coussin Varilite EVOLUTION 40x50 cm			
		N-COEVO065	Cushion Varilite EVOLUTION 43x43 cm	Coussin Varilite EVOLUTION 43x43 cm			
		N-COEVO07	Cushion Varilite EVOLUTION 45x40 cm	Coussin Varilite EVOLUTION 45x40 cm			
		N-COEVO08	Cushion Varilite EVOLUTION 45x45 cm	Coussin Varilite EVOLUTION 45x45 cm			
		N-COEVO09	Cushion Varilite EVOLUTION 45x50 cm	Coussin Varilite EVOLUTION 45x50 cm			
		N-COEVO010	Cushion Varilite EVOLUTION 50x40 cm	Coussin Varilite EVOLUTION 50x40 cm			
		N-COEVO011	Cushion Varilite EVOLUTION 50x45 cm	Coussin Varilite EVOLUTION 50x45 cm			
		N-COEVO012	Cushion Varilite EVOLUTION 50x50 cm	Coussin Varilite EVOLUTION 50x50 cm			
		2	1	N-COSTR04	Cushion Varilite STRATUS 35x40 cm	Coussin Varilite STRATUS 35x40 cm	
				N-COSTR05	Cushion Varilite STRATUS 40x40 cm	Coussin Varilite STRATUS 40x40 cm	
N-COSTR06	Cushion Varilite STRATUS 40x45 cm			Coussin Varilite STRATUS 40x45 cm			
N-COSTR07	Cushion Varilite STRATUS 43x43 cm			Coussin Varilite STRATUS 43x43 cm			
N-COSTR08	Cushion Varilite STRATUS 45x40 cm			Coussin Varilite STRATUS 45x40 cm			
N-COSTR09	Cushion Varilite STRATUS 45x45 cm			Coussin Varilite STRATUS 45x45 cm			
N-COSTR10	Cushion Varilite STRATUS 50x45 cm			Coussin Varilite STRATUS 50x45 cm			
N-COSTR11	Cushion Varilite STRATUS 50x50 cm			Coussin Varilite STRATUS 50x50 cm			
N-COEVO33	Backrest Varilite EVOLUTION 36 cm			Dossier Varilite EVOLUTION 36 cm			
N-COEVO34	Backrest Varilite EVOLUTION 38 cm			Dossier Varilite EVOLUTION 38 cm			
N-COEVO35	Backrest Varilite EVOLUTION 40 cm			Dossier Varilite EVOLUTION 40 cm			
3	1	N-COEVO36	Backrest Varilite EVOLUTION 43 cm	Dossier Varilite EVOLUTION 43 cm			
		N-COEVO37	Backrest Varilite EVOLUTION 45 cm	Dossier Varilite EVOLUTION 45 cm			
		N-COEVO38	Backrest Varilite EVOLUTION 50 cm	Dossier Varilite EVOLUTION 50 cm			
		N-COEVO13	Backrest Varilite EVOLUTION tall 36 cm	Dossier Varilite EVOLUTION haut 36 cm			
		N-COEVO14	Backrest Varilite EVOLUTION tall 38 cm	Dossier Varilite EVOLUTION haut 38 cm			
		N-COEVO15	Backrest Varilite EVOLUTION tall 40 cm	Dossier Varilite EVOLUTION haut 40 cm			
4	1	N-COEVO16	Backrest Varilite EVOLUTION tall 43 cm	Dossier Varilite EVOLUTION haut 43 cm			
		N-COEVO17	Backrest Varilite EVOLUTION tall 45 cm	Dossier Varilite EVOLUTION haut 45 cm			
		N-COEVO18	Backrest Varilite EVOLUTION tall 50 cm	Dossier Varilite EVOLUTION haut 50 cm			
		N-COEVO43	Backrest Varilite EVOLUTION deep 36 cm	Dossier Varilite EVOLUTION profond 36 cm			
		N-COEVO44	Backrest Varilite EVOLUTION deep 38 cm	Dossier Varilite EVOLUTION profond 38 cm			
		N-COEVO45	Backrest Varilite EVOLUTION deep 40 cm	Dossier Varilite EVOLUTION profond 40 cm			
		N-COEVO46	Backrest Varilite EVOLUTION deep 43 cm	Dossier Varilite EVOLUTION profond 43 cm			
N-COEVO47	Backrest Varilite EVOLUTION deep 45 cm	Dossier Varilite EVOLUTION profond 45 cm					
N-COEVO48	Backrest Varilite EVOLUTION deep 50 cm	Dossier Varilite EVOLUTION profond 50 cm					

Electronic

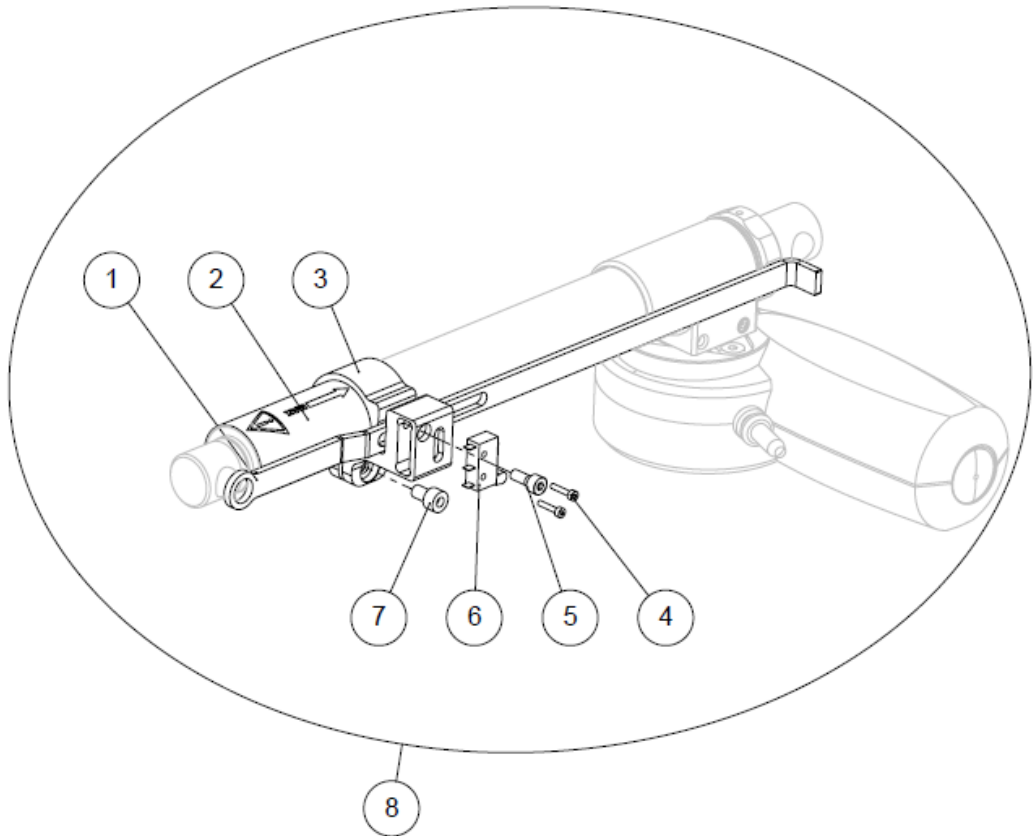


LSR	SPARE PART CATALOG		 
Item N° 323237	Revision C	Date 08/09/2016	Page 73 of 79
Electronic			

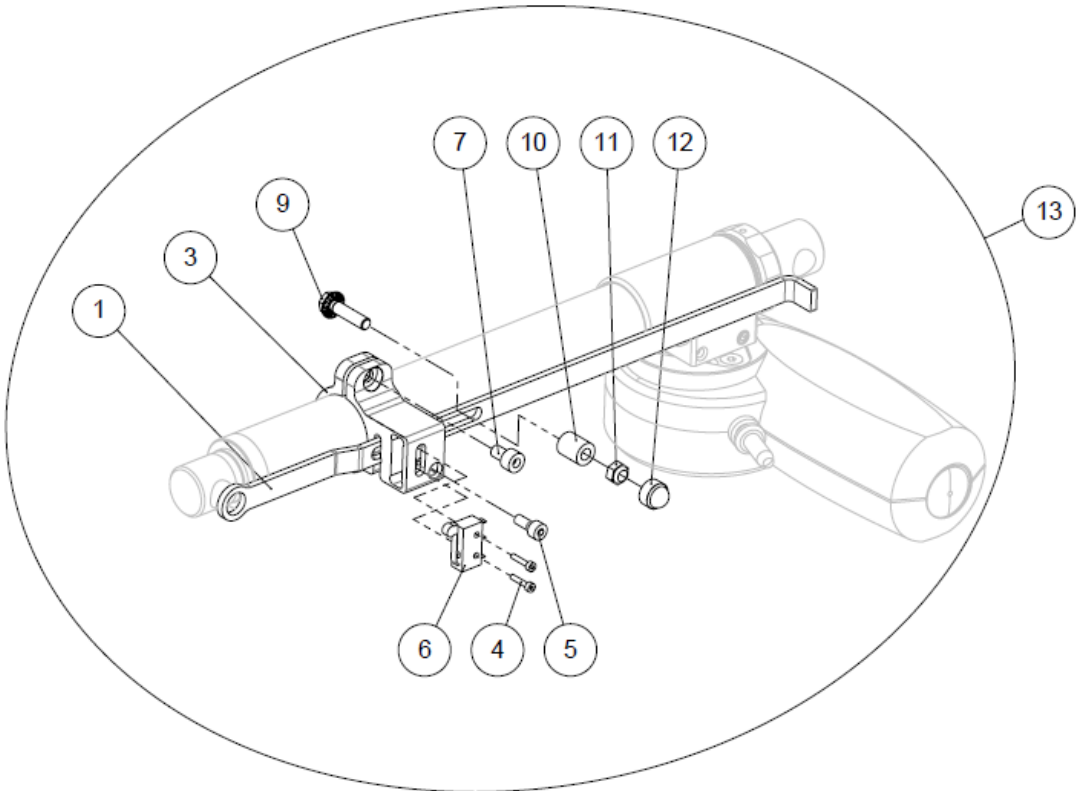
Electronic					
Pos	Qty	Stock Code	Description En	Description Fr	Remark
1	1		Charger for standing up 24V	Base chargeur 24V avec témoin	NOT FOR SALE L5002SXXFO
2	1	L5003EURFO	European Plug	Plug primaire Europe	
3	1	L5003AUSFO	Australian Plug	Plug primaire Australie	
4	1	L5003USAFO	USA Plug	Plug primaire USA	
5	1	L5003UKXFO	UK Plug	Plug primaire UK	
6	1	322917	Kit charger for standing up 24V	Kit chargeur 24V avec témoin	
7	1	L1207XXXFO	REAC RE25.3 actuator	Vérin REAC RE25.3	
8	2	L0021XXXFO	Rilsan collar	Collier rilsan	
9	4	C0215XXXFO	Nut cap M6	Cache écrou M6	
10	4	ECR-HFR6ZN	Prevailing torque type hexagon nut M6	Ecrou frein M6	
11	8	RON-M6ZN	Plain washer Ø6	Rondelle plate M Ø6	
12	2	VIS-CHC6X50ZN	Hexagon socket head cap screw M6x50	Vis tête cylindrique M6x50 six pans creux	
13	1	323563	Support plate CB03 LSR	Plaque support CB03 LSR	
14	1	330075	Electronic box CB03	Boitier électronique CB03	
15	2	VIS-CHC6X35ZN	Hexagon socket head cap screw M6x35	Vis tête cylindrique M6x35 six pans creux	
16	2	RON-LL3ZN	Fender washer Ø3	Rondelle plate LL Ø3	
17	1	L6007XXXFO	Velcro strap + Ring	Attache velcro + anneau	
18	1		Stand-up remote control	Télécommande verticalisation	NOT FOR SALE L5005XXXFO
19	1	322889	Kit remote control	Kit télécommande	
20	1	330542	Kit electronic box CB03	Kit boiter électronique CB03	
21	2	320705	LSR battery	Batterie LSR	
22	0,35		Velcro velvet 50mm PS14 black	Velcro velours 50mm PS14 noir	NOT FOR SALE F1014XXXFO
23	0.35		Velcro hooks 50mm PS14 black	Velcro crochets 50mm PS14 noir	NOT FOR SALE F1013XXXFO
24	1	322124	Kit battery LSR	Kit batteries LSR	



LSR	SPARE PART CATALOG		
Item N° 323237	Revision C	Date 08/09/2016	Page 74 of 79
Electronic		Limitation systems	

Kit limit stand-up LSR



Kit limit relax LSR

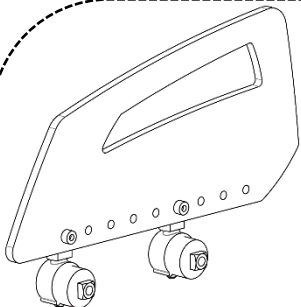
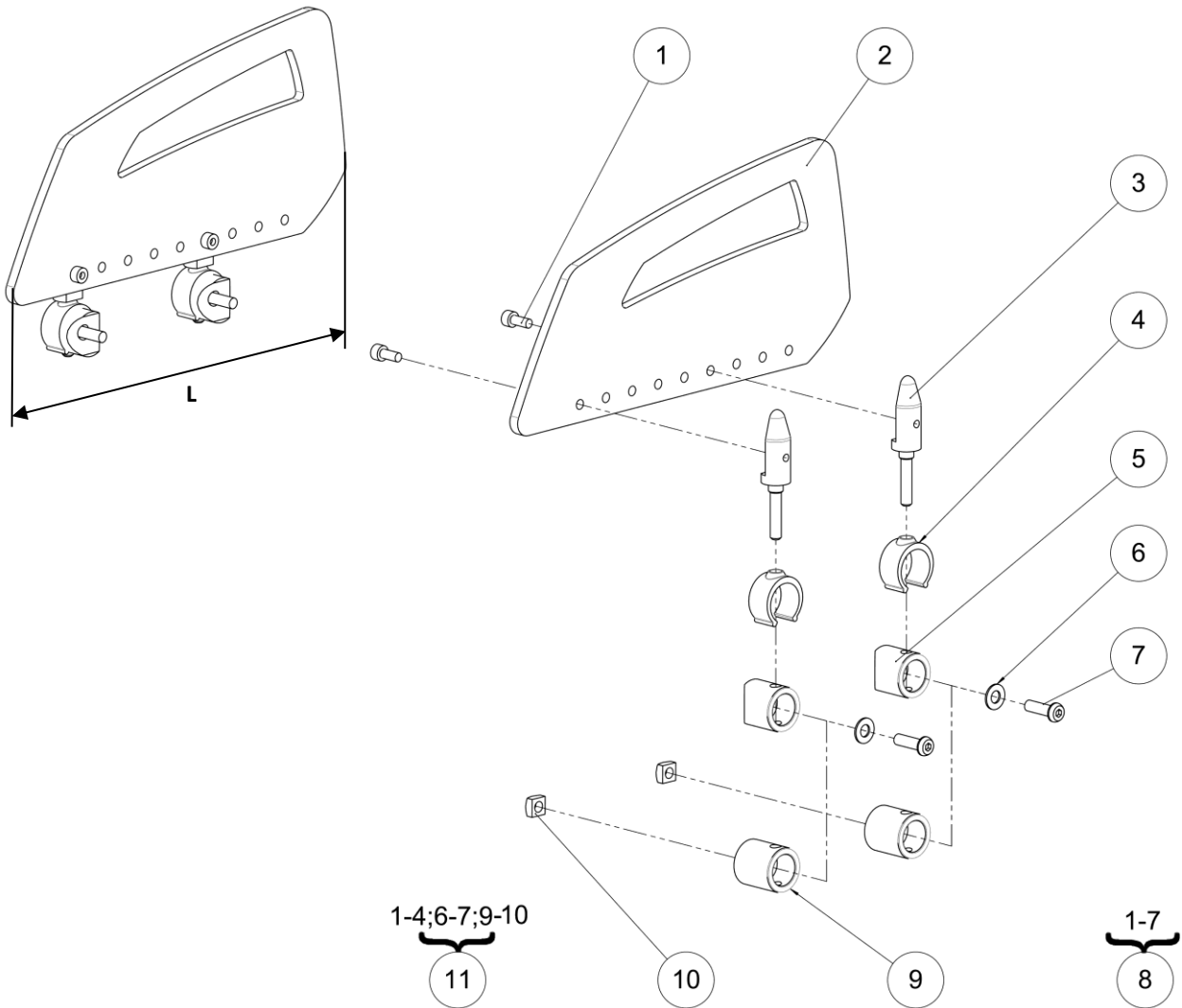


LSR	SPARE PART CATALOG		 
Item N° 323237	Revision C	Date 08/09/2016	Page 75 of 79
Electronic		Limitation systems	

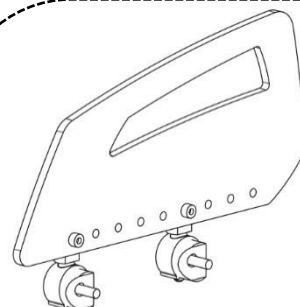
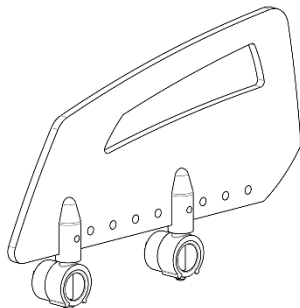
Limitation systems

Pos	Qty	Stock Code	Description En	Description Fr	Remark
1	2	323587	Limitation ruler	Réglette de limitation	
2	1	331845	Sticker kit vertic limit	Sticker kit limit vertic	
3	2	321400	Ring actuator	Bague de vérin	
4	4	614279	Hexagon socket head cap screw M2x10	Vis tête cylindrique M2x10 six pans creux	
5	2	600183	Hexagon socket head cap screw M4x10	Vis tête cylindrique M4x10 six pans creux	
6	2	321905	Security wire actuator	Faisceau de sécurité vérin	
7	2	VIS-CHC5X8BR	Hexagon socket head cap screw M5x8 black	Vis tête cylindrique M5x8 six pans creux noir	
8	1	330545	Kit standing limitation LSR	Kit limitation vertic LSR	
9	1	615138	Hexagon head in notched base screw M5x20	Vis tête hexagonale à embase crantée M5x20	
10	1	614171	Tubular spacer $\varnothing 5.2 \times \varnothing 10 \times 12$	Entretoise tubulaire $\varnothing 5.2 \times \varnothing 10 \times 12$	
11	1	ECR-HFR5ZN	Prevailing torque type hexagon nut M5	Ecrou frein M5	
12	1	614185	Nut cap M5	Cache écrou M5	
13	1	330544	Kit relax limitation LSR	Kit limitation relax LSR	

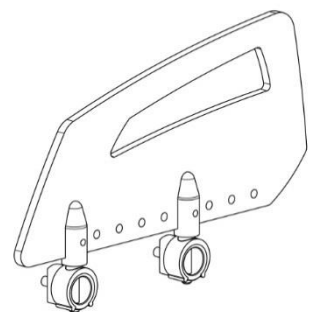
Side guards




Kit O9010XXXFO
used only with
kit UNITRACK 322175
(see pos.19 .p.11)




Kit C9010XXXFO
not compatible with
kit UNITRACK 322175
(see pos.19 .p.11)



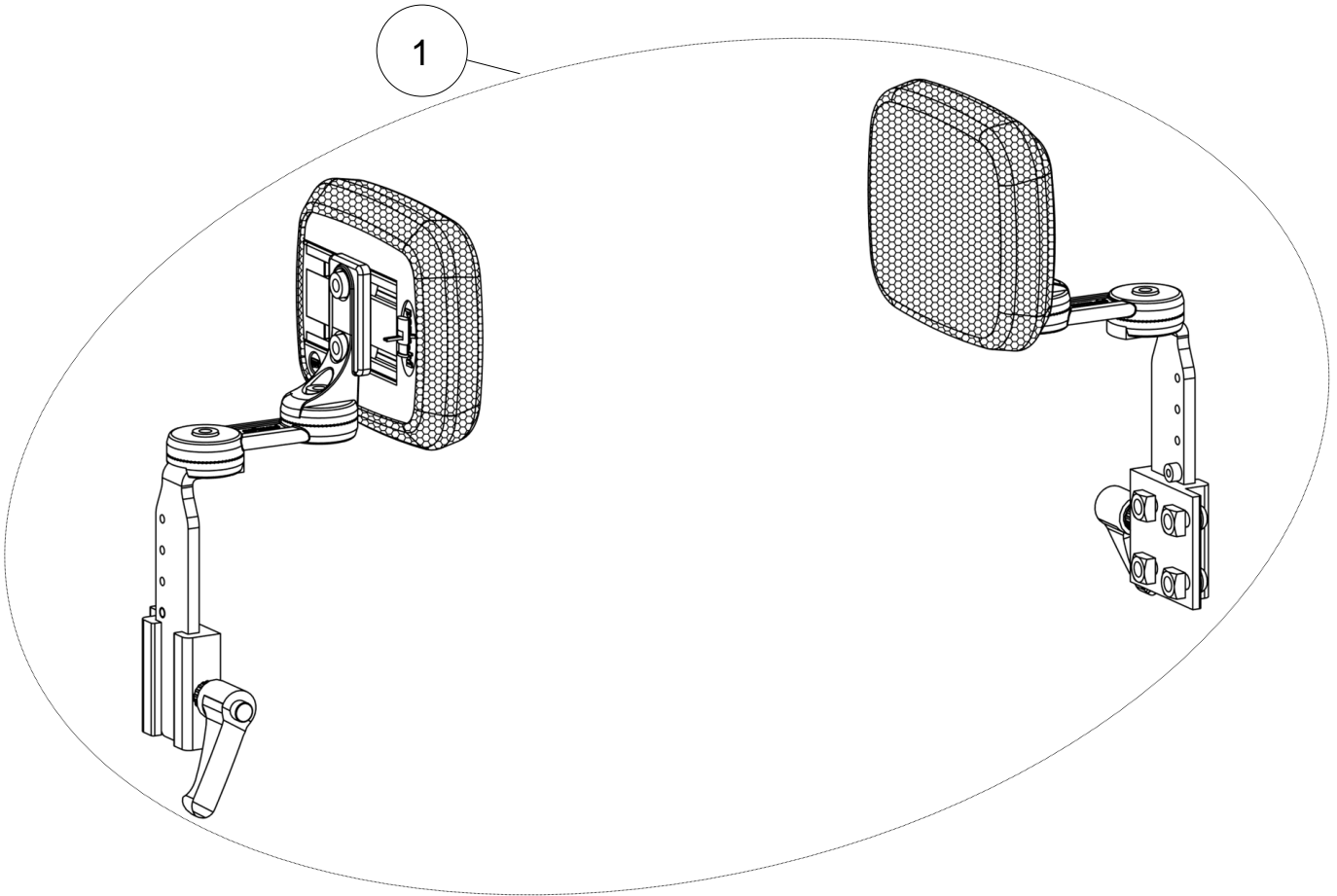
Side guards

Side guards

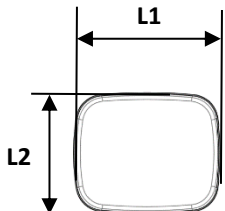
Pos	Qty	Stock Code	Description En	Description Fr	Remark
1	4	VIS-CHC5X12ZN	Hexagon socket head cap screw M5x12	Vis tête cylindrique M5x12 six pans creux	
2	2	C9111XXXFO C9111XSHFO	Clothes guard long Clothes guard short	Protège vêtements long Protège vêtements court	L = 254mm L = 213mm
3	4	L9012XXXFO	Side-guard spindle	Axe protection latérale	
4	4	L0009XXXFO	Tube lock	Verrou de tube	
5	4	C9011XXXFO	Spacer tube	Entretoise dru usinée	
6	4	RON-M6ZN	Plain washer Ø6	Rondelle plate M Ø6	
7	4	VIS-CBHC6X20ZN	Hexagon socket button head screw M6x20	Vis tête bombée M6x20 six pans creux	
8	1	C9010XXXFO C9010XSHFO	Kit side guards long (pair) Kit side guards short (pair)	Kit protection latérale long (paire) Kit protection latérale court (paire)	L = 254mm L = 213mm NC with kit UNITRACK 322175 (see pos.19 p.11)
9	4	O9002XXXFO	Spacer n°1	Entretoise n°1	
10	4	612947	Square nut M6	Ecrou carré M6	
11	1	O9010XXXFO O9010XSHFO	Kit side guards long (pair) Kit side guards short (pair)	Kit protection latérale long (paire) Kit protection latérale court (paire)	L = 254mm L = 213mm Use only with kit UNITRACK 322175 (see pos.19 p.11)

Lateral support

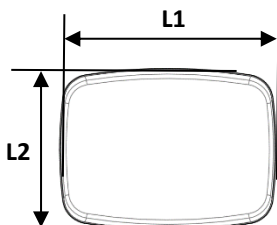
1



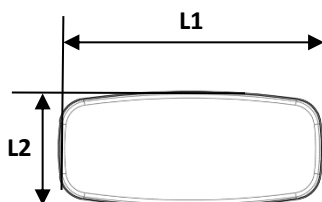
PAD B



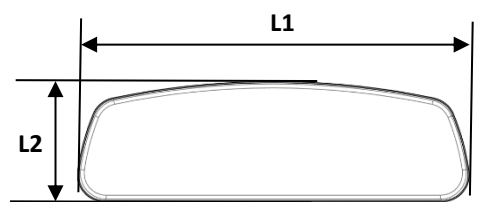
PAD J





PAD C



PAD G



LSR	SPARE PART CATALOG		 
Item N° 323237	Revision C	Date 08/09/2016	Page 79 of 79
Lateral support			

Lateral support					
Pos	Qty	Stock Code	Description En	Description Fr	Remark
1	1	P1822692	Kit lateral support S (pair)	Kit support lateral S (paire)	Pad B: L1xL2 = 110x90 mm
		P1822695	Kit lateral support M (pair)	Kit support lateral M (paire)	Pad J: L1xL2 = 165x120 mm
		P1822696	Kit lateral support L (pair)	Kit support lateral L (paire)	Pad C: L1xL2 = 200x90 mm
		P1822698	Kit lateral support XL (pair)	Kit support lateral XL (paire)	Pad G: L1xL2 = 300x90 mm