



LSA

Spare Part Catalog



LSA	SPARE PART CATALOG		 
Item N° 322609	Revision B	Date 04/09/2015	Page 2 of 95

LSA

Stand-Up Wheelchair

Permobil Group's Head Office
Permobil AB
 Box 120
 861 23 Timrå
 Sweden

Tel : +46 60 59 59 00
 Fax : + 46 60 57 52 50

E-mail : info@permobil.se

Permobil Inc. USA
 6961 Eastgate Blvd.
 Lebanon, TN 37090
 USA

Phone: 800-736-0925
 Fax: 800-231-3256

Email: info@permobilusa.com

Lifestand Groupe Permobil
 5 rue Clément Ader
 69740 Genas
 France

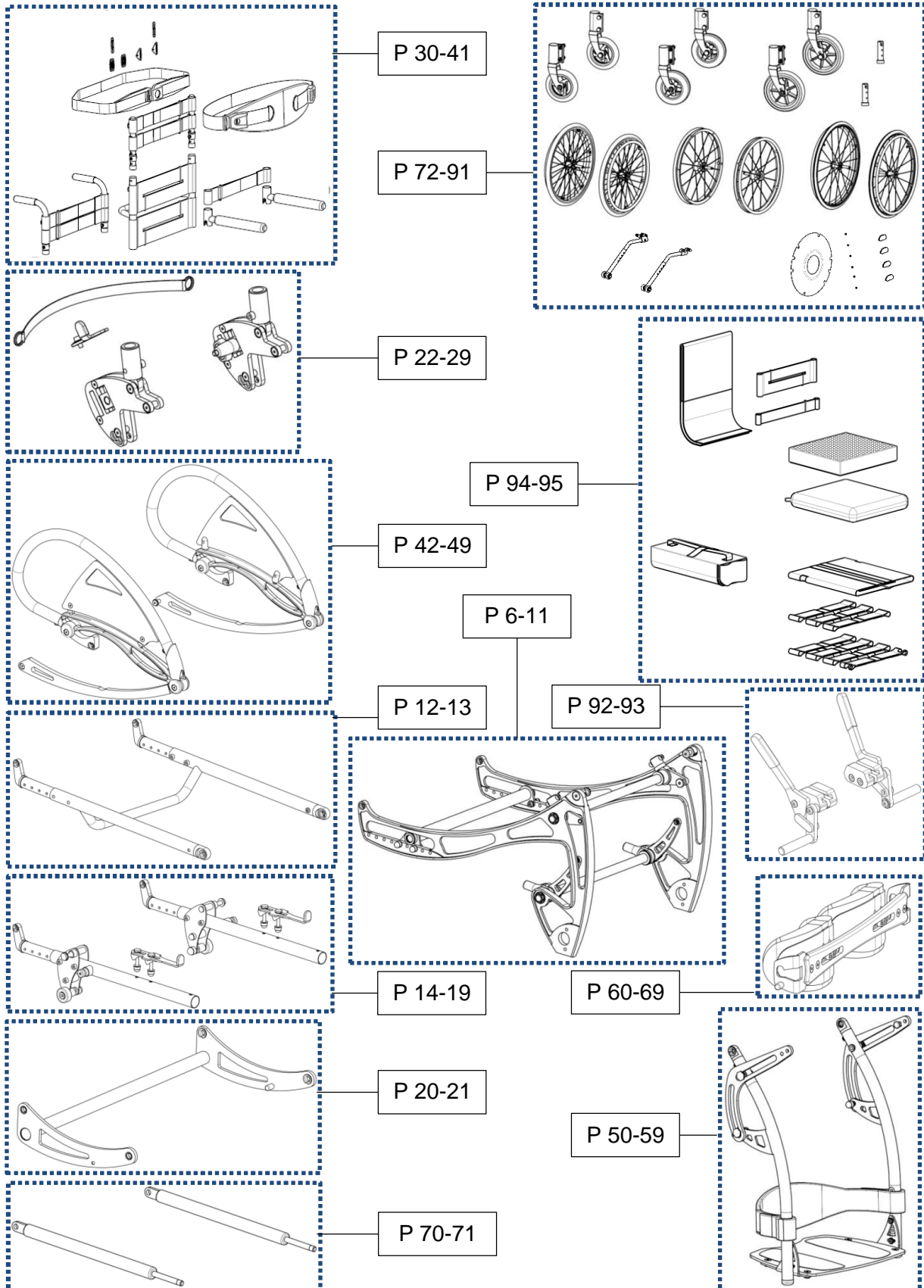
Tel.: +33 (0)4 37 26 27 28
 Fax: +33 (0)4 37 26 27 29

Email: info@permobil.com

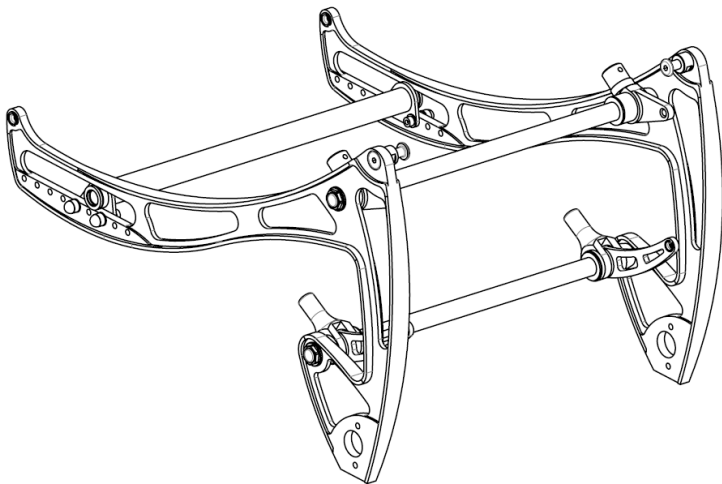
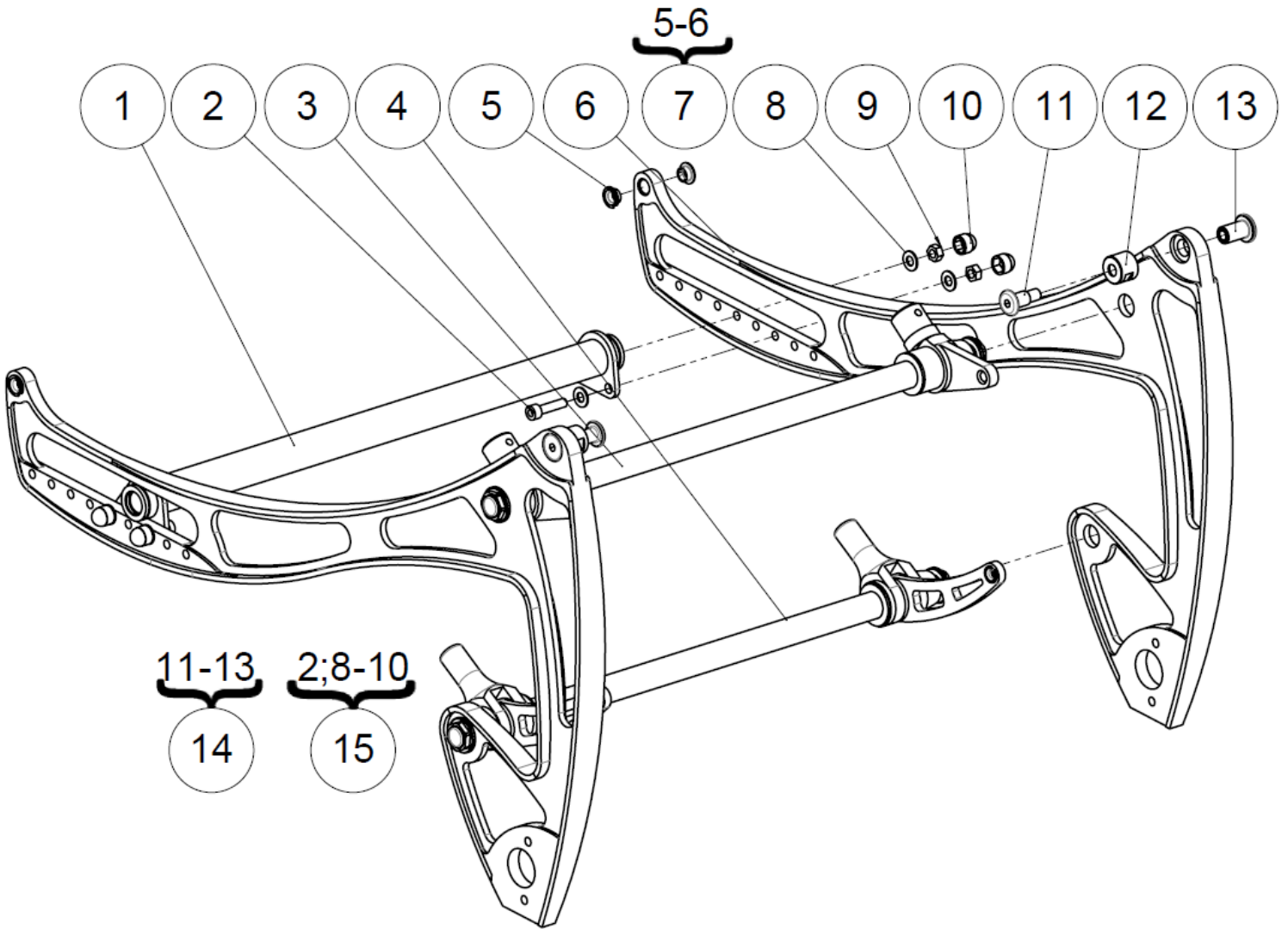
Summary

Frame	7
Upper front cross tube	9
Lower front cross tube	11
Upper seat	13
Lower seat tube left	15
Lower seat tube right	17
Stand-up lock	19
Grip handle cross tube	21
Side hub	23
Backrest safety lock	25
Left side hub	27
Right side hub	29
Backrest	31
Backrest reinforcement	33
Backrest extension straight	35
Backrest extension push handle	37
Swing away armrest	39
Bodypoint strap	41
Stand-up	43
Arm loop lever right	45
Arm loop lever left	47
Carbon fiber side guards	49
Footrest	51
Knee pad rocking lever	53
Right footrest tube	55
Left footrest tube	57
Footrest plate	59
Knee support	61
Knee pad brace	63
Neoprene kneepad	65
Large neoprene kneepad	67

Polyurethane kneepad	69
Gas strut	71
Wheels	73
Front wheels 5"	75
Front wheels 5" soft roller	77
Front wheels 6"	79
Rear wheel 24"	81
Lifestand wheel 24"	83
Rear wheel 24" Spinergy	85
Rear wheel 26"	87
Anti-tipper wheels	89
Rear wheels accessories	91
Brakes	93
Textiles	95



Frame



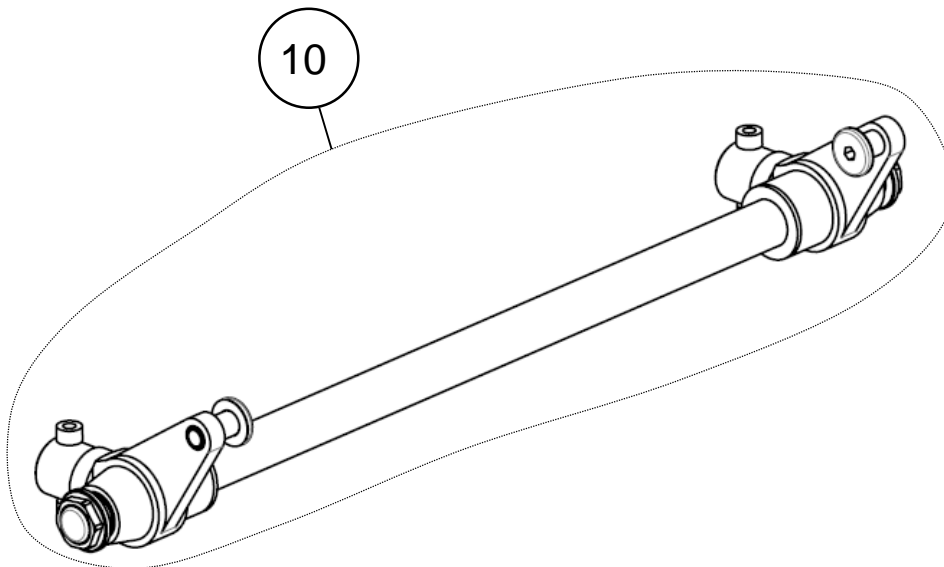
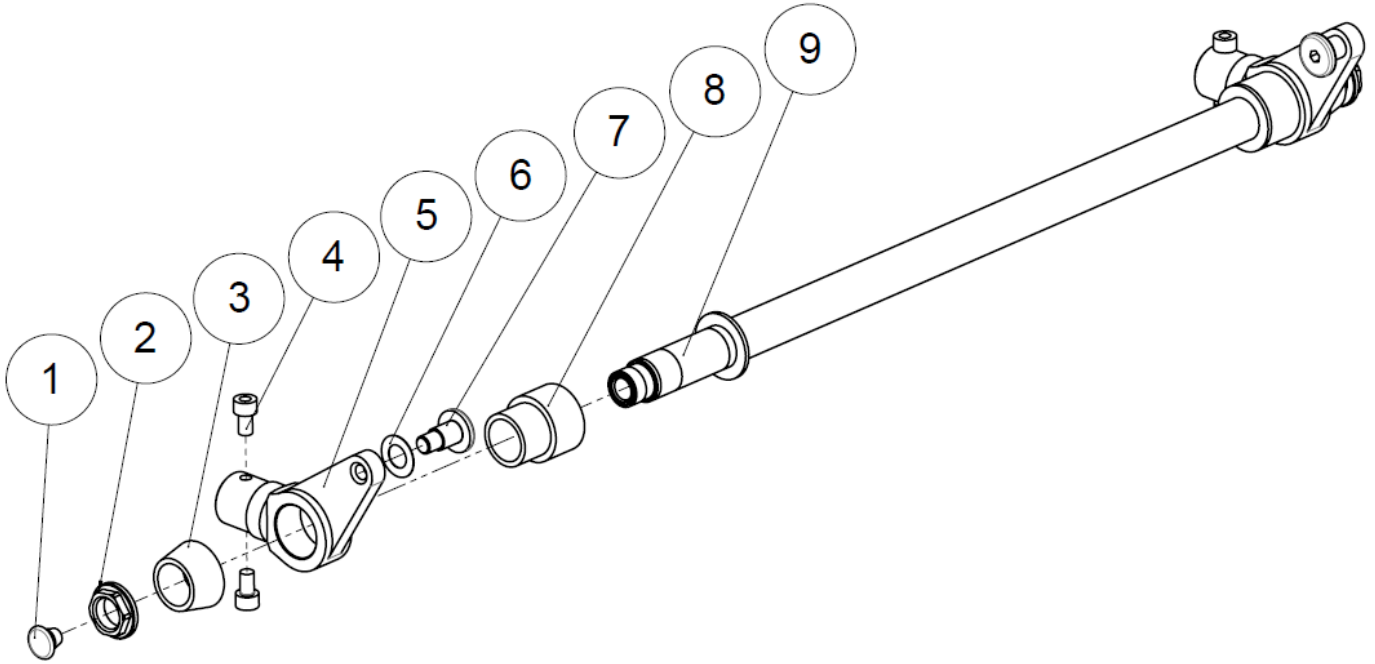
Frame

Frame

Pos	Qty	Stock Code	Description En	Description Fr	Remark
1	1	A1002X36PN	Rear wheel axle size 36 cm	Essieu arrière taille 36 cm	No camber
		A1002X38PN	Rear wheel axle size 38 cm	Essieu arrière taille 38 cm	No camber
		A1002X40PN	Rear wheel axle size 40 cm	Essieu arrière taille 40 cm	No camber
		A1002X42PN	Rear wheel axle size 42 cm	Essieu arrière taille 42 cm	No camber
		A1002X44PN	Rear wheel axle size 44 cm	Essieu arrière taille 44 cm	No camber
		A1002X46PN	Rear wheel axle size 46 cm	Essieu arrière taille 46 cm	No camber
		A1004X36PN	Cambered rear wheel axle size 36 cm	Essieu arrière carrossé taille 36 cm	3° camber / carrossage
		A1004X38PN	Cambered rear wheel axle size 38 cm	Essieu arrière carrossé taille 38 cm	3° camber / carrossage
		A1004X40PN	Cambered rear wheel axle size 40 cm	Essieu arrière carrossé taille 40 cm	3° camber / carrossage
		A1004X42PN	Cambered rear wheel axle size 42 cm	Essieu arrière carrossé taille 42 cm	3° camber / carrossage
		A1004X44PN	Cambered rear wheel axle size 44 cm	Essieu arrière carrossé taille 44 cm	3° camber / carrossage
		A1004X46PN	Cambered rear wheel axle size 46 cm	Essieu arrière carrossé taille 46 cm	3° camber / carrossage
2	4	VIS-CHC6X25ZN	Hexagon socket head cap screw M6x25	Vis tête cylindrique M6x25 six pans creux	
3	1		Upper front cross tube	Traverse avant supérieur	See exploded view p.08
4	1		Lower front cross tube	Traverse avant inférieur	See exploded view p.10
5	4	L0007080FO	Collar bearing Ø8xØ10x5.5mm	Coussinet à collerette Ø8xØ10x5.5mm	
6	2		Aluminium frame painted black	Châssis aluminium peint noir	NOT FOR SALE A1100XXXPN
			Aluminium frame painted blue	Châssis aluminium peint bleu	NOT FOR SALE A1100XXXPB
			Aluminium frame painted red	Châssis aluminium peint rouge	NOT FOR SALE A1100XXXPR
			Aluminium frame painted chrome	Châssis aluminium peint chrome	NOT FOR SALE A1100XXXPT
			Aluminium frame painted white	Châssis aluminium peint blanc	NOT FOR SALE A1100XXXBL
7	2	322546	Kit aluminium frame black (1 side)	Kit châssis aluminium noir (1 côté)	
		322547	Kit aluminium frame blue (1 side)	Kit châssis aluminium bleu (1 côté)	
		322548	Kit aluminium frame red (1 side)	Kit châssis aluminium rouge (1 côté)	
		322549	Kit aluminium frame chrome (1 side)	Kit châssis aluminium chrome (1 côté)	
		322550	Kit aluminium frame white (1 side)	Kit châssis aluminium blanc (1 côté)	
8	8	RON-M6ZN	Plain washer Ø6	Rondelle plate M Ø6	
9	4	ECR-HFR6ZN	Prevailing torque type hexagon nut M6	Ecrou frein M6	
10	4	C0215XXXFO	Nut cap M6	Cache écrou M6	
11	2	A0021XXXZN	Upper seat tube lug spindle	Pivot d'assise supérieure	
12	2	A0003XXXZN	Upper seat tube spacer	Entretoise d'assise supérieur	
13	2	A0022XXXZN	Front seat tube lug spindle	Pivot avant d'assise	
14	2	322551	Kit fixation upper seat (1 side)	Kit fixation assise supérieur (1 côté)	
15	1	322552	Kit fixation rear wheel axle (pair)	Kit fixation essieu arrière (paire)	

Frame

Upper front cross tube




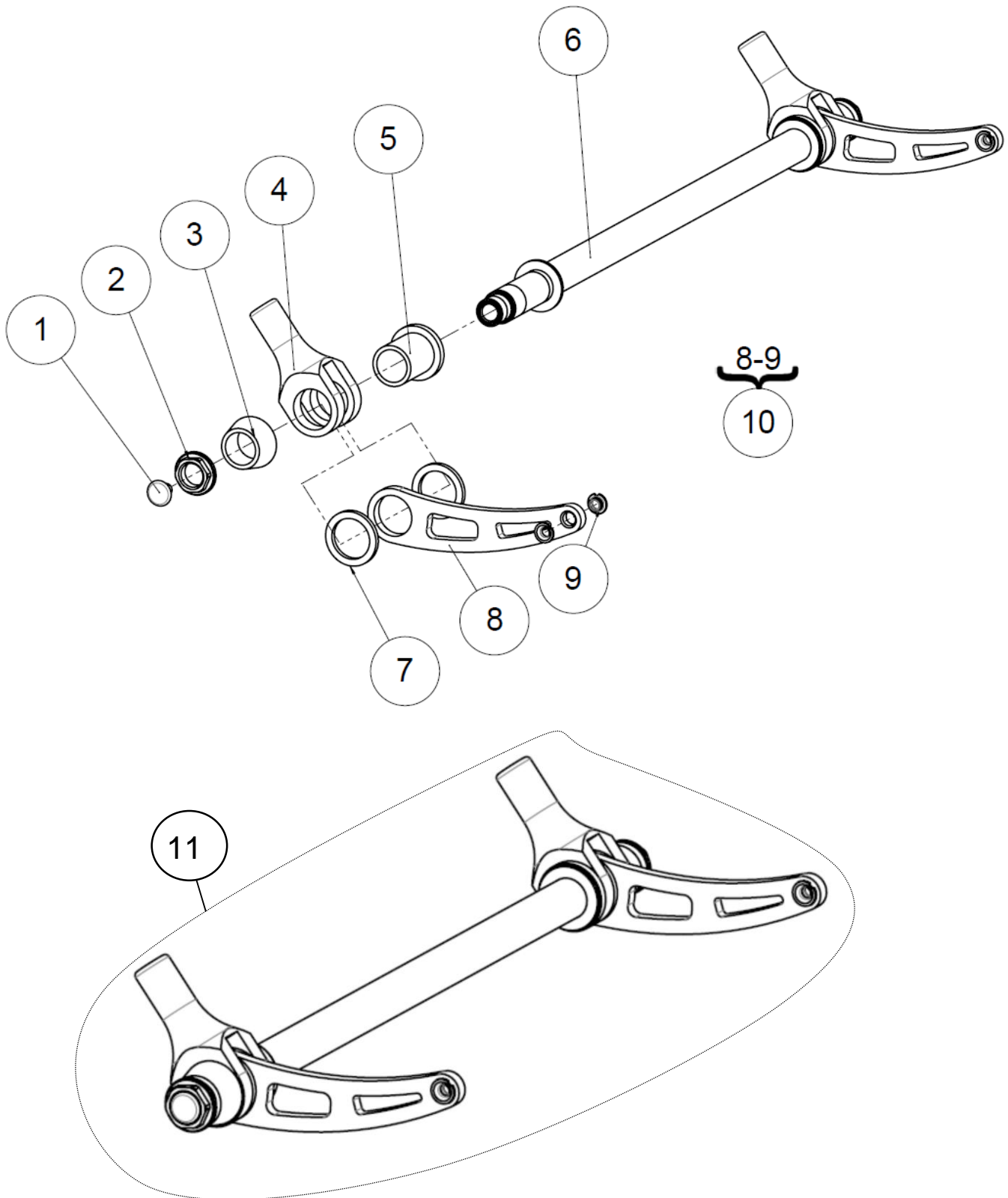
Frame

Upper front cross tube

Upper front cross tube

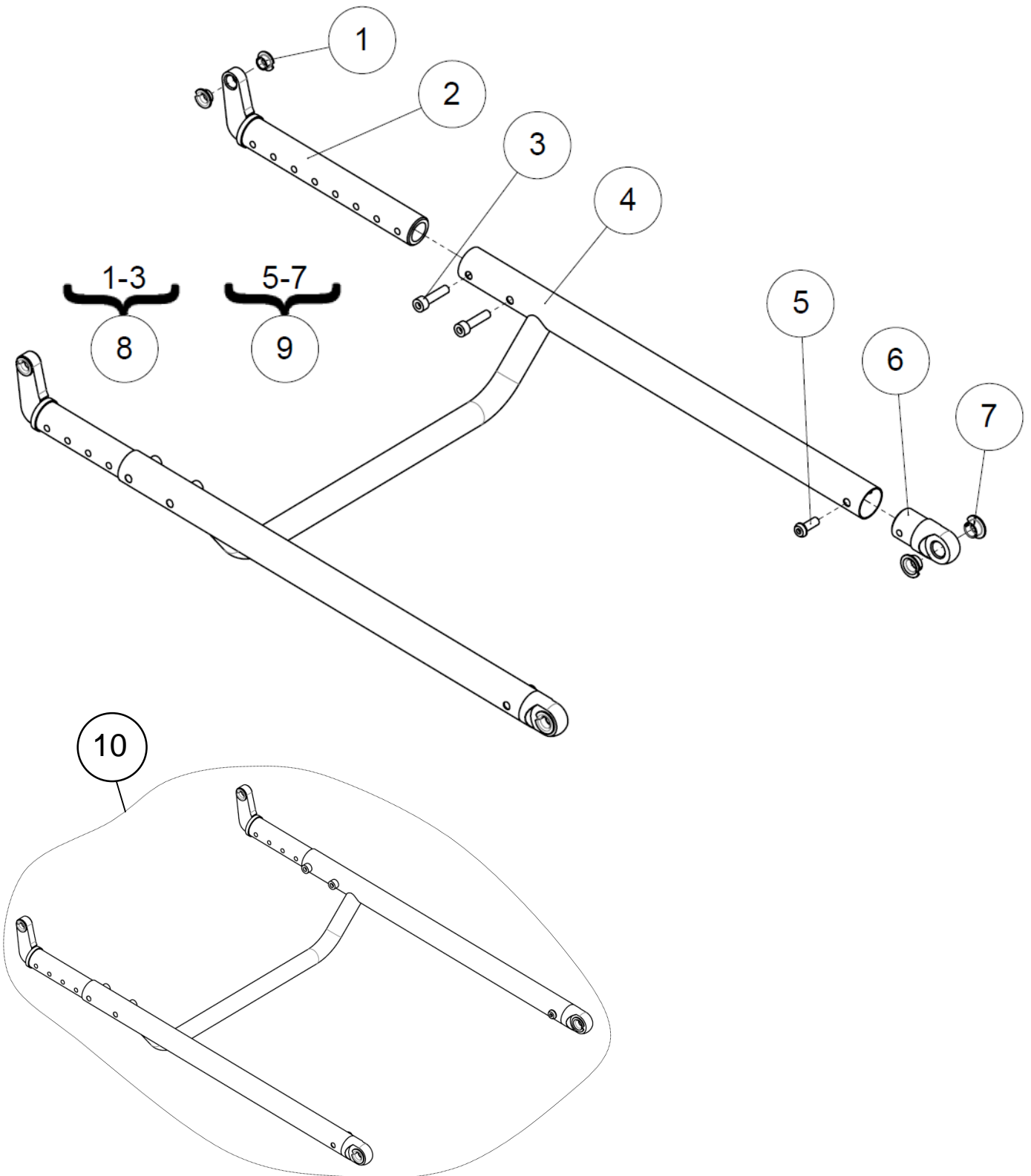
Pos	Qty	Stock Code	Description En	Description Fr	Remark
1	2	A0008XXXFO	Cylindrical obturator for tube Ø10	Obturateur cylindrique Ø10	
2	2	A0006XXXZN	Seat crosstube nut	Ecrou de traverse	
3	2	A0004XXXFO	Lower seat tube wedging ring	Bague de calage assise inférieur	
4	4	VIS-CHC6X10ZN	Hexagon socket head cap screw M6x10	Vis tête cylindrique M6x10 six pans creux	
5	2	A2005XXXAI	Lower seat tube lug	Tenon d'assise inférieur	
6	2	RON-OND10D	Wave spring washer Ø10	Rondelle onduflex Ø10 type D	
7	2	A3011XXXZN	Footrest tube upper lug spindle	Axe tenon supérieur repose pieds	
8	2	A0023XXXFO	Gas strut guide ring	Bague de guidage vérin	
9	1	A1003X36MB	Front seat cross tube size 36 cm	Traverse avant microbillée taille 36 cm	
		A1003X38MB	Front seat cross tube size 38 cm	Traverse avant microbillée taille 38 cm	
		A1003X40MB	Front seat cross tube size 40 cm	Traverse avant microbillée taille 40 cm	
		A1003X42MB	Front seat cross tube size 42 cm	Traverse avant microbillée taille 42 cm	
		A1003X44MB	Front seat cross tube size 44 cm	Traverse avant microbillée taille 44 cm	
		A1003X46MB	Front seat cross tube size 46 cm	Traverse avant microbillée taille 46 cm	
10	1	322553	Kit upper front cross tube size 36 cm	Kit traverse avant sup. taille 36 cm	
		322554	Kit upper front cross tube size 38 cm	Kit traverse avant sup. taille 38 cm	
		322555	Kit upper front cross tube size 40 cm	Kit traverse avant sup. taille 40 cm	
		322556	Kit upper front cross tube size 42 cm	Kit traverse avant sup. taille 42 cm	
		322557	Kit upper front cross tube size 44 cm	Kit traverse avant sup. taille 44 cm	
		322558	Kit upper front cross tube size 46 cm	Kit traverse avant sup. taille 46 cm	

LSA	SPARE PART CATALOG		
Item N° 322609	Revision B	Date 04/09/2015	Page 10 of 95
Frame		Lower front cross tube	



Lower front cross tube

Pos	Qty	Stock Code	Description En	Description Fr	Remark
1	2	A0008XXXFO	Cylindrical obturator for tube Ø10	Obturateur cylindrique Ø10	
2	2	A0006XXXZN	Seat crosstube nut	Ecrou de traverse	
3	2	A0004XXXFO	Lower seat tube wedging ring	Bague de calage assise inférieur	
4	2	A1005XXXAI	Clevis for gas spring	Chape inférieur de vérin	
5	2	A0002XXXFO	Bearing for clevis	Palier de chape inférieur de vérin	
6	1	A1003X36MB	Front seat cross tube size 36 cm	Traverse avant microbillée taille 36 cm	
		A1003X38MB	Front seat cross tube size 38 cm	Traverse avant microbillée taille 38 cm	
		A1003X40MB	Front seat cross tube size 40 cm	Traverse avant microbillée taille 40 cm	
		A1003X42MB	Front seat cross tube size 42 cm	Traverse avant microbillée taille 42 cm	
		A1003X44MB	Front seat cross tube size 44 cm	Traverse avant microbillée taille 44 cm	
		A1003X46MB	Front seat cross tube size 46 cm	Traverse avant microbillée taille 46 cm	
7	4	A0005XXXFO	Rocking lever wedging washer	Rondelle de calage de biellette	
8	2		Footrest rocking lever	Biellette repose pieds	NOT FOR SALE A3001XXXAI
9	4	L0007060FO	Collar bearing Ø6xØ8x4mm	Coussinet à collerette Ø6xØ8x4mm	
10	2	322559	Kit footrest rocking lever (unit)	Kit biellette repose pieds (unité)	
11	1	322560	Kit lower front cross tube size 36 cm	Kit traverse avant inf. taille 36 cm	
		322561	Kit lower front cross tube size 38 cm	Kit traverse avant inf. taille 38 cm	
		322562	Kit lower front cross tube size 40 cm	Kit traverse avant inf. taille 40 cm	
		322563	Kit lower front cross tube size 42 cm	Kit traverse avant inf. taille 42 cm	
		322564	Kit lower front cross tube size 44 cm	Kit traverse avant inf. taille 44 cm	
		322565	Kit lower front cross tube size 46 cm	Kit traverse avant inf. taille 46 cm	

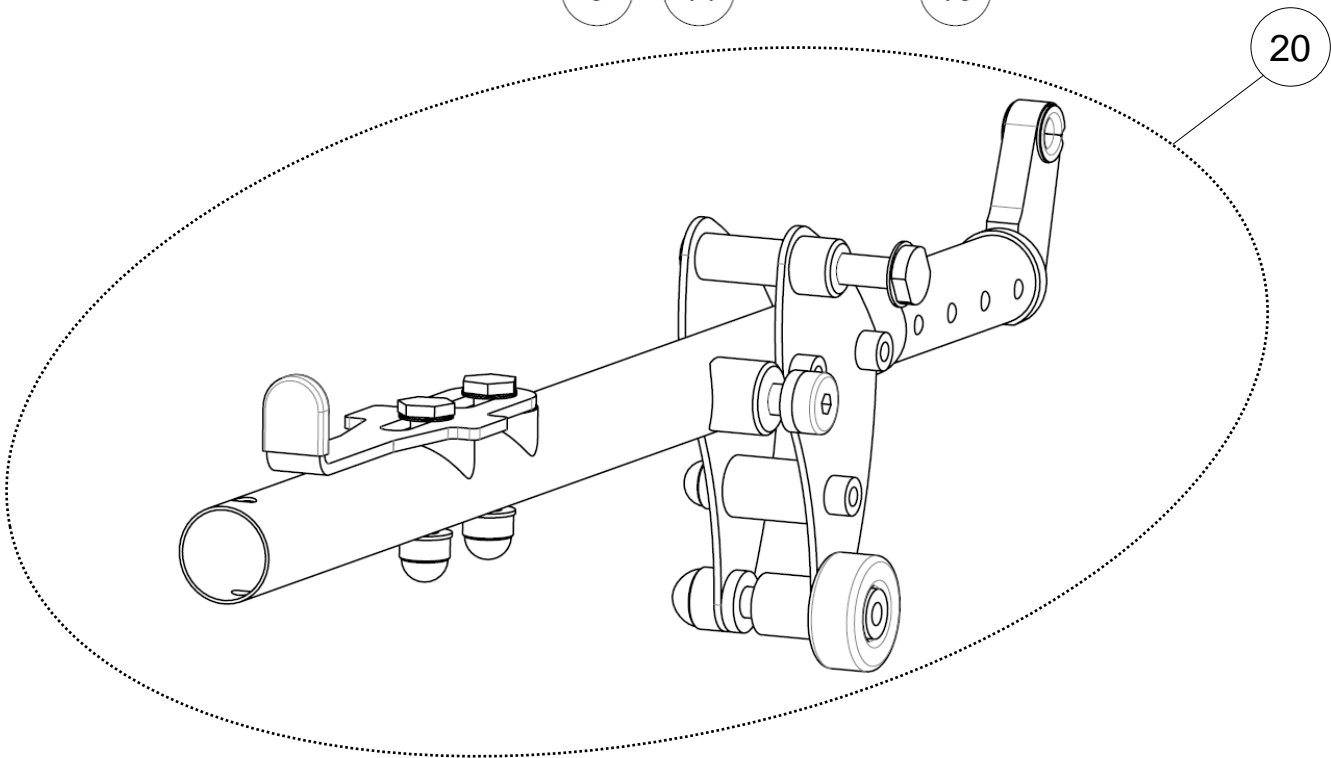
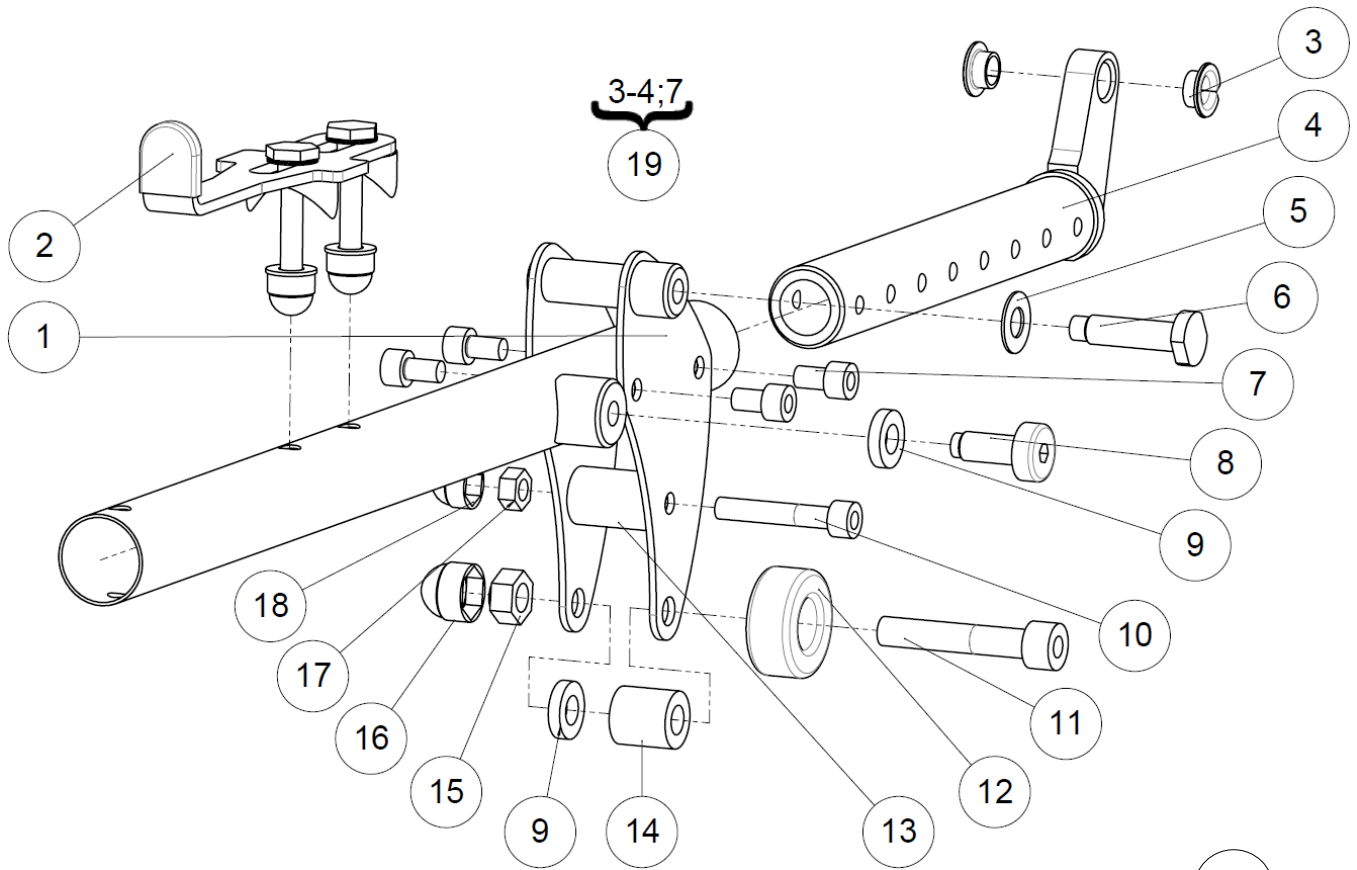


Frame

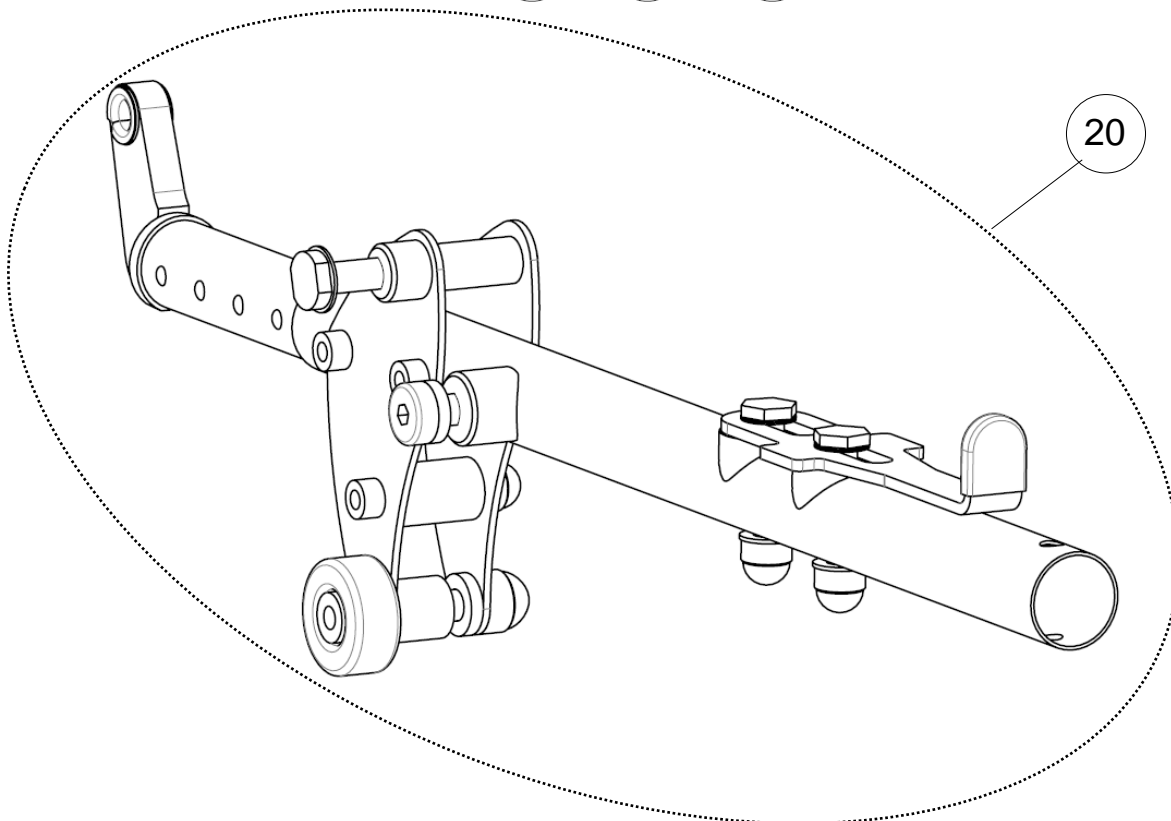
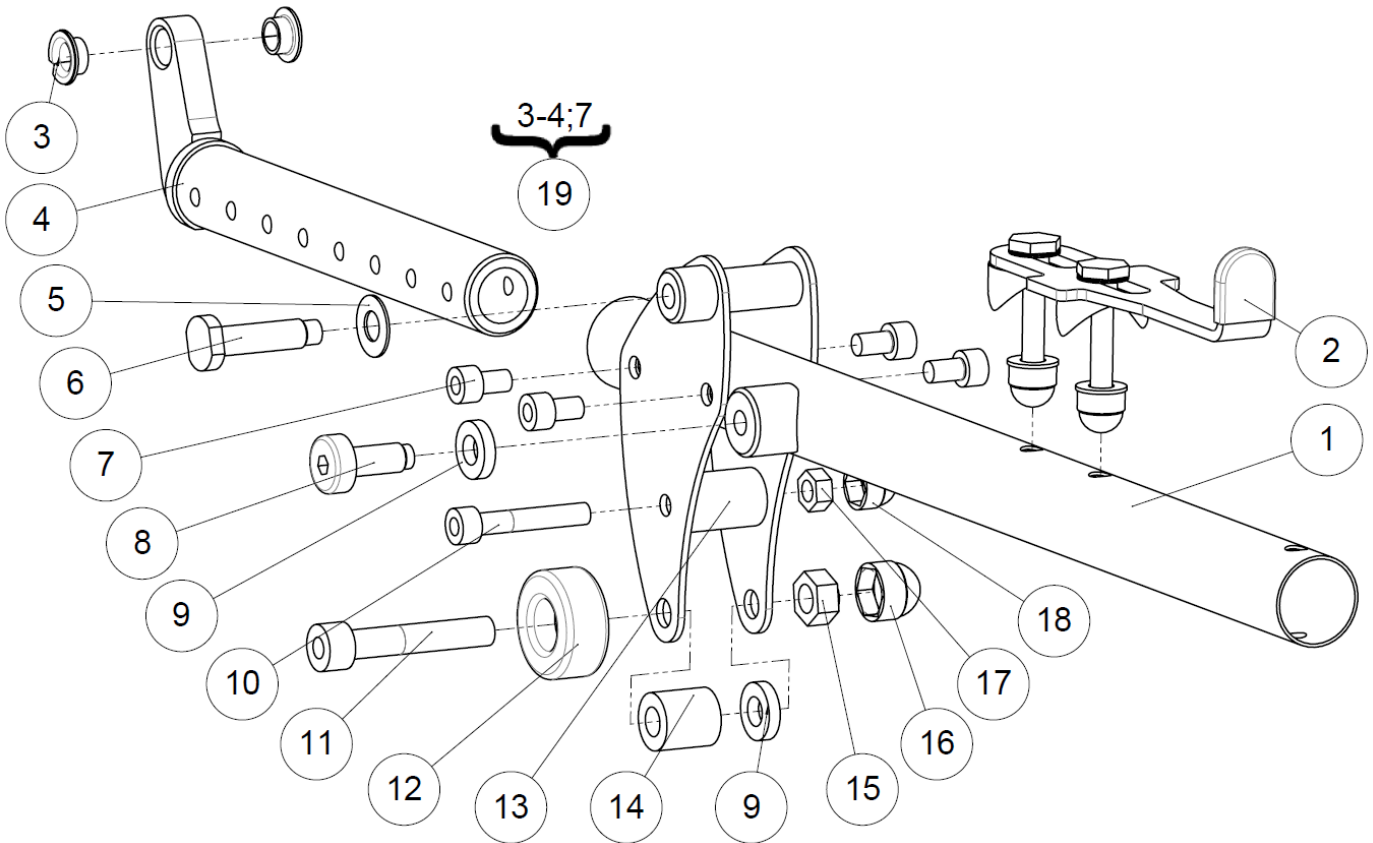
Upper seat

Upper seat

Pos	Qty	Stock Code	Description En	Description Fr	Remark
1	4	L0007080FO	Collar bearing $\varnothing 8 \times \varnothing 10 \times 5.5 \text{mm}$	Coussinet à collerette $\varnothing 8 \times \varnothing 10 \times 5.5 \text{mm}$	
2	2		Seat-depth runner-tube	Coulisseau profondeur d'assise	NOT FOR SALE A2006XXXAI
3	4	VIS-CHC6X25ZN	Hexagon socket head cap screw M6x25	Vis tête cylindrique M6x25 six pans creux	
4	1	A2002X36MB	Upper seat frame size 36 cm	Assise sup. microbillée taille 36 cm	
		A2002X38MB	Upper seat frame size 38 cm	Assise sup. microbillée taille 38 cm	
		A2002X40MB	Upper seat frame size 40 cm	Assise sup. microbillée taille 40 cm	
		A2002X42MB	Upper seat frame size 42 cm	Assise sup. microbillée taille 42 cm	
		A2002X44MB	Upper seat frame size 44 cm	Assise sup. microbillée taille 44 cm	
		A2002X46MB	Upper seat frame size 46 cm	Assise sup. microbillée taille 46 cm	
5	2	VIS-CBHC6X16ZN	Hexagon socket button head screw M6x16	Vis tête bombée M6x16 six pans creux	
6	2		Upper seat tube lug	Tenon d'assise supérieur	NOT FOR SALE A2004XXXAI
7	4	L0007100FO	Collar bearing $\varnothing 10 \times \varnothing 12 \times 7 \text{mm}$	Coussinet à collerette $\varnothing 10 \times \varnothing 12 \times 7 \text{mm}$	
8	2	322566	Kit seat-depth runner-tube	Kit coulisseau profondeur d'assise	
9	2	322567	Kit upper seat tube lug	Kit tenon d'assise supérieur	
10	1	322568	Kit upper seat frame size 36 cm	Kit tube d'assise supérieur taille 36 cm	
		322569	Kit upper seat frame size 38 cm	Kit tube d'assise supérieur taille 38 cm	
		322570	Kit upper seat frame size 40 cm	Kit tube d'assise supérieur taille 40 cm	
		322571	Kit upper seat frame size 42 cm	Kit tube d'assise supérieur taille 42 cm	
		322572	Kit upper seat frame size 44 cm	Kit tube d'assise supérieur taille 44 cm	
		322573	Kit upper seat frame size 46 cm	Kit tube d'assise supérieur taille 46 cm	

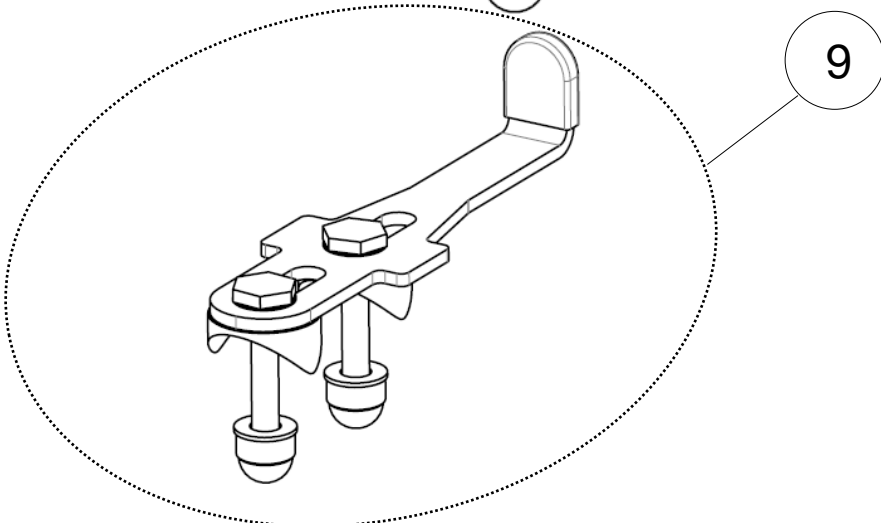
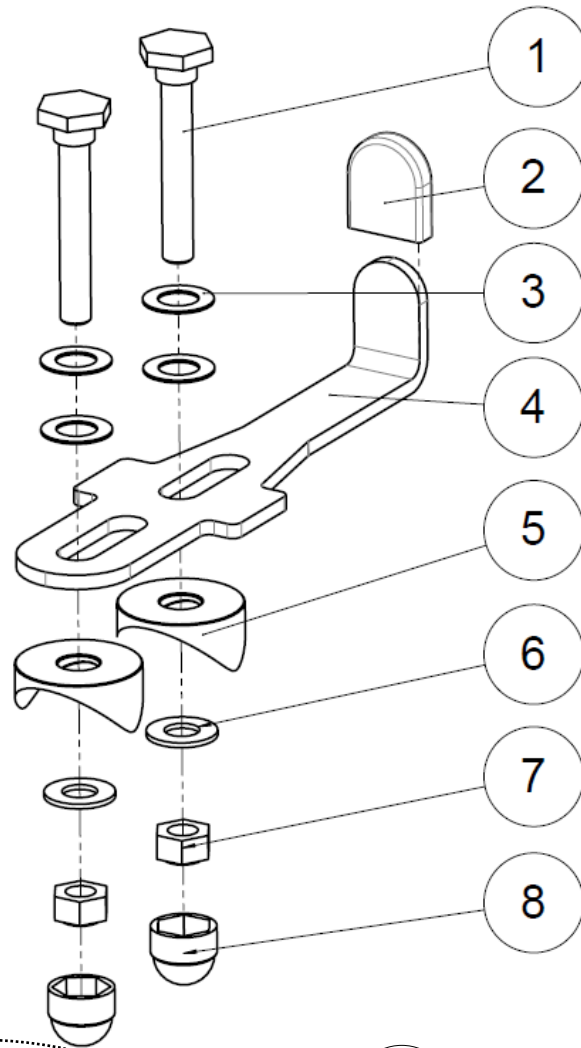


Lower seat tube left					
Pos	Qty	Stock Code	Description En	Description Fr	Remark
1	1	A2001LXXMB	Lower seat tube left	Tube assise inférieur gauche	
2	1		Kit stand-up lock	Kit verrou verticalisation	See exploded view p.18
3	2	L0007080FO	Collar bearing $\varnothing 8 \times \varnothing 10 \times 5.5 \text{mm}$	Coussinet à collerette $\varnothing 8 \times \varnothing 10 \times 5.5 \text{mm}$	
4	1		Seat-depth runner-tube	Coulisseau profondeur d'assise	NOT FOR SALE A2006XXXAI
5	1	RON-Z8FINEPLAS	Nylon washer $\varnothing 8.1 \times 14 \times 0.5 \text{mm}$	Rondelle plate nylon $\varnothing 8.1 \times 14 \times 0.5 \text{mm}$	
6	1	A8003XXXZN	Linkage axle	Axe articulation bielle	
7	4	VIS-CHC6X10ZN	Hexagon socket head cap screw M6x10	Vis tête cylindrique M6x10 six pans creux	
8	1	A8011XXXZN	Arm loop axle lug spindle	Axe pivot volant	
9	2	A8008XXXFO	Gas spring spacer	Entretoise de vérin	
10	1	VIS-CHC6X35ZN	Hexagon socket head cap screw M6x35	Vis tête cylindrique M6x35 six pans creux	
11	1	VIS-CHC8X45ZN	Hexagon socket head cap screw M8x45	Vis tête cylindrique M8x45 six pans creux	
12	1	L0124XXXFO	Stop roller	Galet de butée	
13	1	A0007XXXFO	Lower seat spacer	Entretoise inférieure d'assise	
14	1	A8007XXXFO	Long gas spring spacer	Entretoise longue de vérin	
15	1	ECR-HFR8ZN	Prevailing torque type hexagon nut M8	Ecrou frein M8	
16	1	C0214XXXFO	Nut cap M8	Cache écrou M8	
17	1	ECR-HFR6ZN	Prevailing torque type hexagon nut M6	Ecrou frein M6	
18	1	C0215XXXFO	Nut cap M6	Cache écrou M6	
19	1	322653	Kit lower seat-depth runner-tube	Kit coulisseau profondeur d'assise inf.	
20	1	322574	Kit lower seat tube left	Kit tube assise inférieur gauche	



Lower seat tube right

Pos	Qty	Stock Code	Description En	Description Fr	Remark
1	1	A2001RXXMB	Lower seat tube right	Tube assise inférieur droit	
2	1		Kit stand-up lock	Kit verrou verticalisation	See exploded view p.18
3	2	L0007080FO	Collar bearing $\varnothing 8 \times \varnothing 10 \times 5.5 \text{mm}$	Coussinet à collerette $\varnothing 8 \times \varnothing 10 \times 5.5 \text{mm}$	
4	1		Seat-depth runner-tube	Coulisseau profondeur d'assise	NOT FOR SALE A2006XXXAI
5	1	RON-Z8FINEPLAS	Nylon washer $\varnothing 8.1 \times 14 \times 0.5 \text{mm}$	Rondelle plate nylon $\varnothing 8.1 \times 14 \times 0.5 \text{mm}$	
6	1	A8003XXXZN	Linkage axle	Axe articulation bielle	
7	4	VIS-CHC6X10ZN	Hexagon socket head cap screw M6x10	Vis tête cylindrique M6x10 six pans creux	
8	1	A8011XXXZN	Arm loop axle lug spindle	Axe pivot volant	
9	2	A8008XXXFO	Gas spring spacer	Entretoise de vérin	
10	1	VIS-CHC6X35ZN	Hexagon socket head cap screw M6x35	Vis tête cylindrique M6x35 six pans creux	
11	1	VIS-CHC8X45ZN	Hexagon socket head cap screw M8x45	Vis tête cylindrique M8x45 six pans creux	
12	1	L0124XXXFO	Stop roller	Galet de butée	
13	1	A0007XXXFO	Lower seat spacer	Entretoise inférieure d'assise	
14	1	A8007XXXFO	Long gas spring spacer	Entretoise longue de vérin	
15	1	ECR-HFR8ZN	Prevailing torque type hexagon nut M8	Ecrou frein M8	
16	1	C0214XXXFO	Nut cap M8	Cache écrou M8	
17	1	ECR-HFR6ZN	Prevailing torque type hexagon nut M6	Ecrou frein M6	
18	1	C0215XXXFO	Nut cap M6	Cache écrou M6	
19	1	322653	Kit lower seat-depth runner-tube	Kit coulisseau profondeur d'assise inf.	
20	1	322575	Kit lower seat tube right	Kit tube assise inférieur droit	





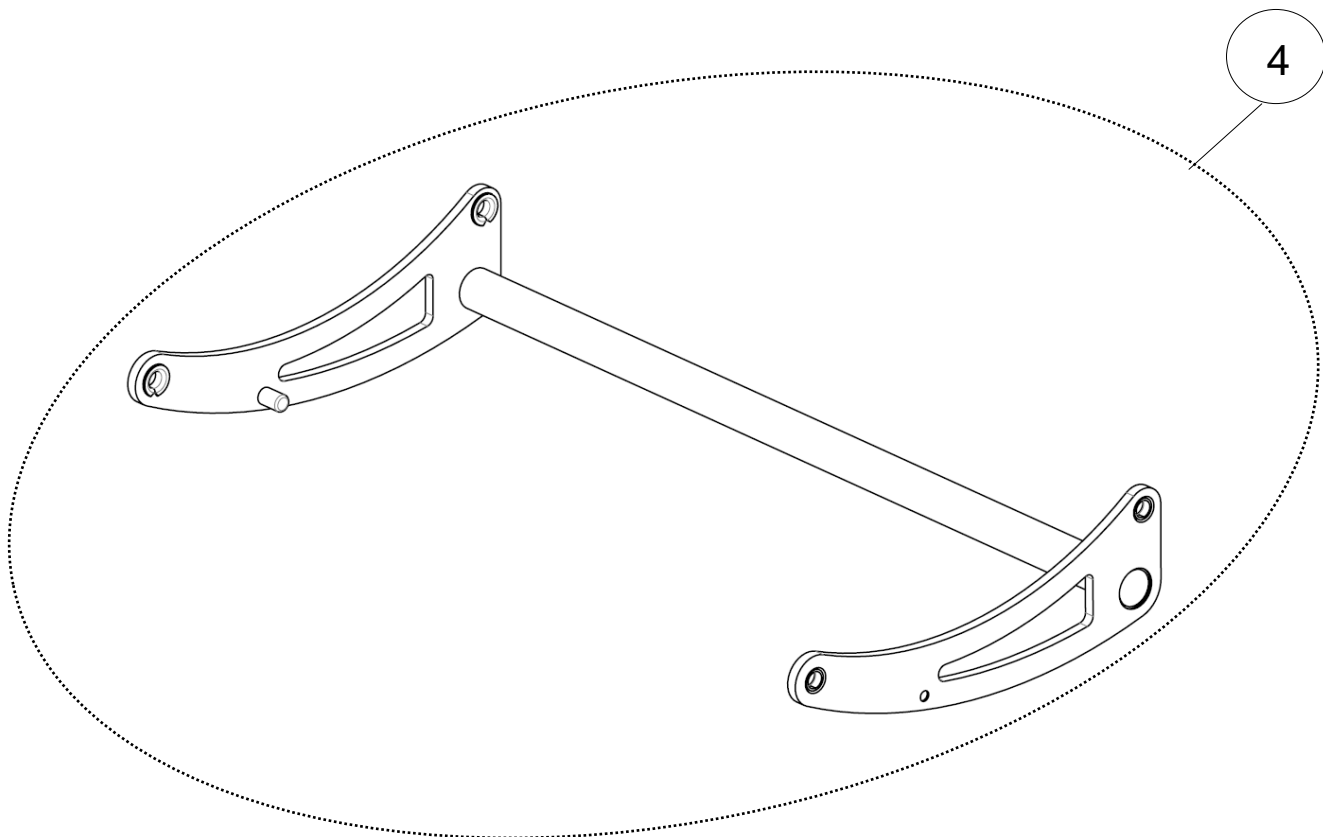
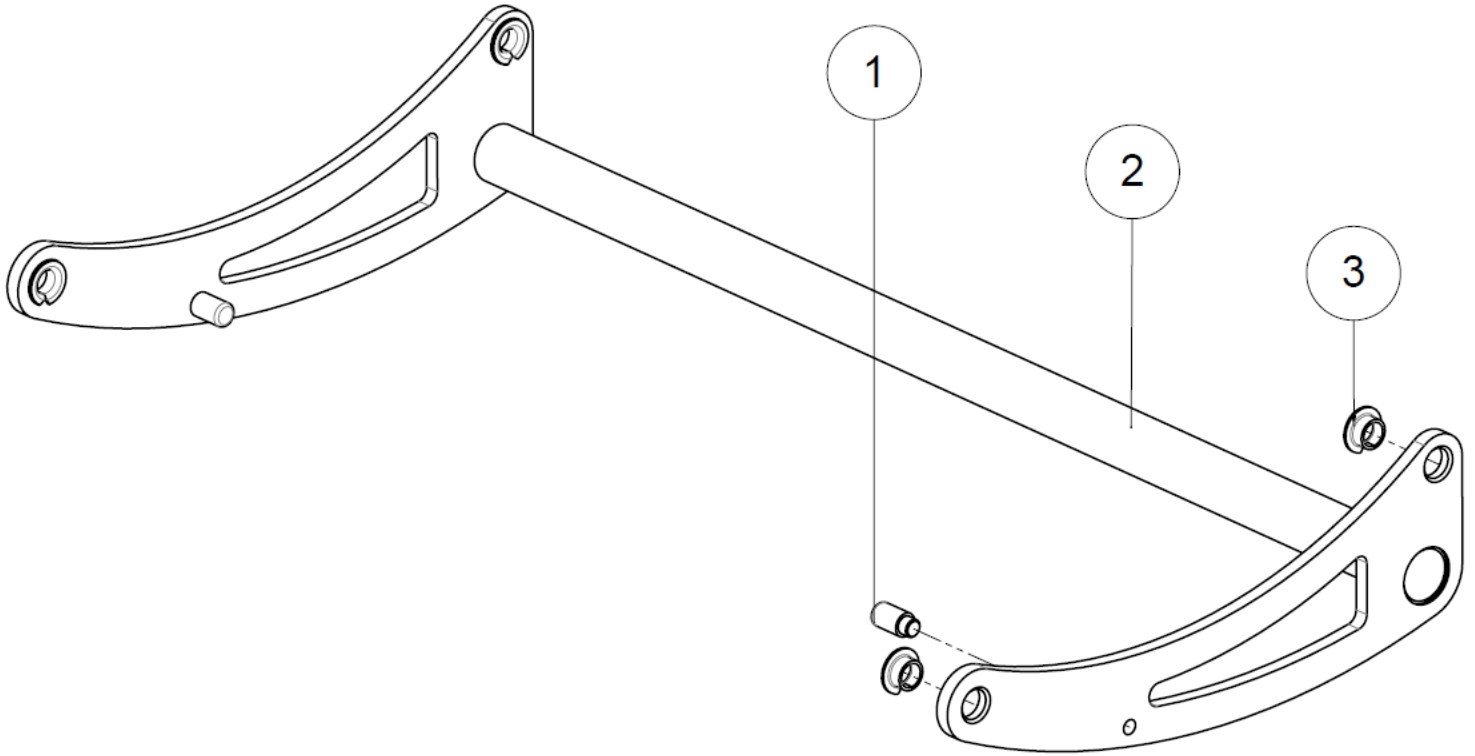
Frame

Stand-up lock

Stand-up lock

Pos	Qty	Stock Code	Description En	Description Fr	Remark
1	2	A2007XXXZN	Safety slide-lock spindle	Axe de tirette de sécurité	
2	1	A2009XXXFO	Red safety cap	Capuchon sécurité rouge	
3	4	RON-Z8FINEPLAS	Nylon washer Ø8.1x14x0.5mm	Rondelle plate nylon Ø8.1x14x0.5mm	
4	1	A2003XXXAI	Safety slide-lock	Tirette de verrouillage de sécurité	
5	2	614272	Form washer Ø25mm	Coupelle pour tube Ø25mm	
6	2	RON-M6ZN	Plain washer Ø6	Rondelle plate M Ø6	
7	2	ECR-HFR6ZN	Prevailing torque type hexagon nut M6	Ecrou frein M6	
8	2	C0215XXXFO	Nut cap M6	Cache écrou M6	
9	1	322576	Kit stand-up lock (unit)	Kit verrou verticalisation (l'unité)	

Grip handle cross tube

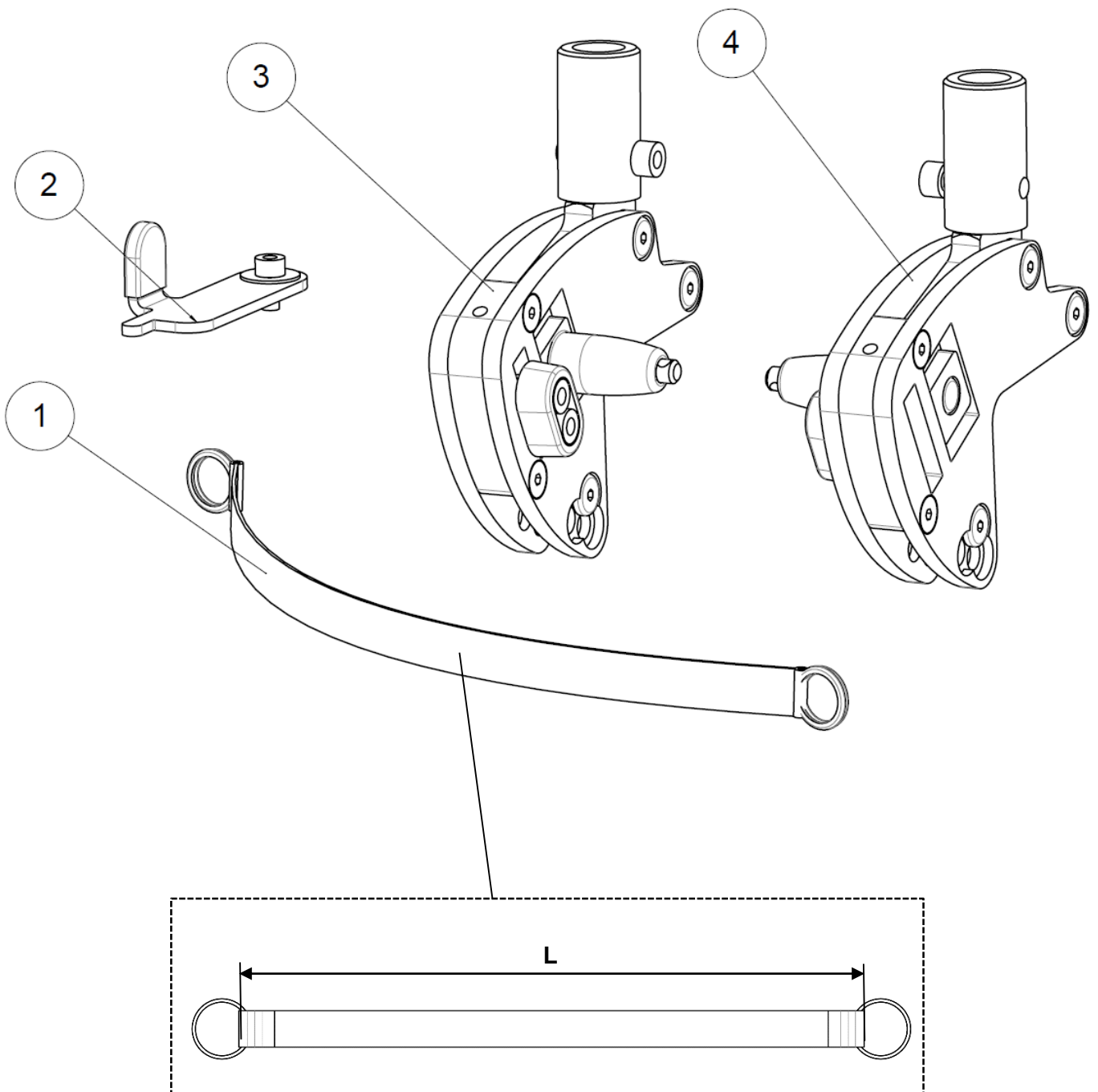


Grip handle cross tube

Grip handle cross tube

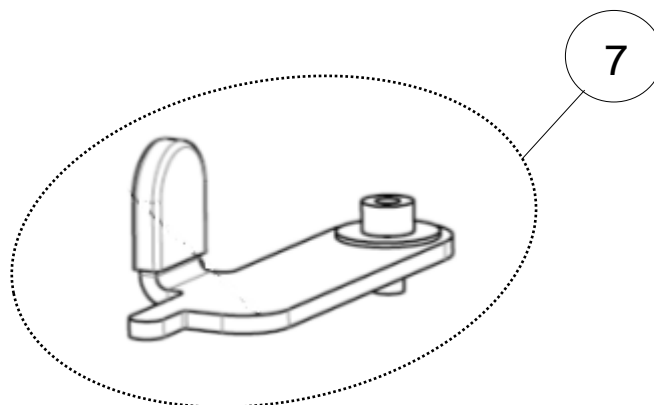
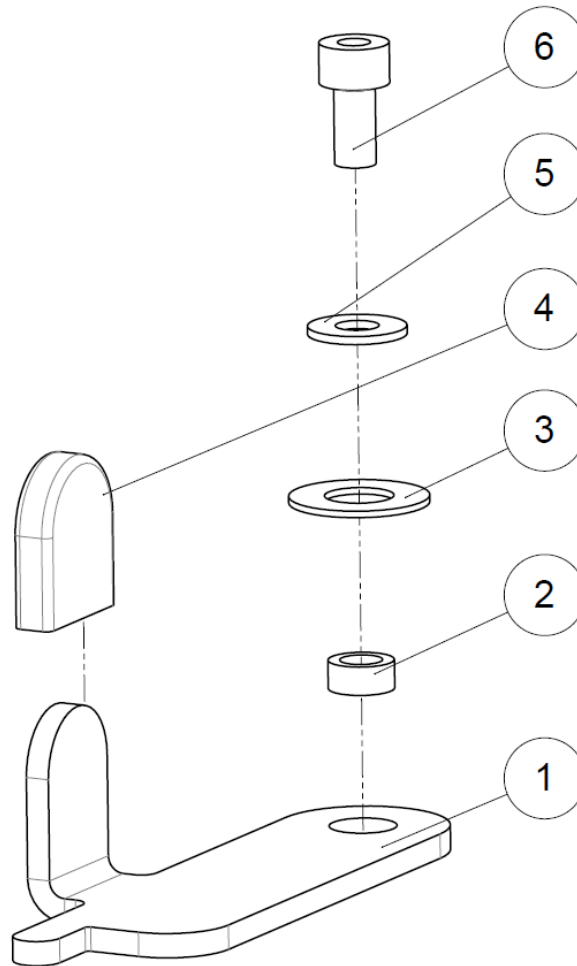
Pos	Qty	Stock Code	Description En	Description Fr	Remark
1	2	A2008XXXFO	Stop pin	Pion de blocage	
			Grip handle cross tube size 36 cm	Traverse de volant taille 36 cm	NOT FOR SALE A8009X36MB
			Grip handle cross tube size 38 cm	Traverse de volant taille 38 cm	NOT FOR SALE A8009X38MB
2	1		Grip handle cross tube size 40 cm	Traverse de volant taille 40 cm	NOT FOR SALE A8009X40MB
			Grip handle cross tube size 42 cm	Traverse de volant taille 42 cm	NOT FOR SALE A8009X42MB
			Grip handle cross tube size 44 cm	Traverse de volant taille 44 cm	NOT FOR SALE A8009X44MB
			Grip handle cross tube size 46 cm	Traverse de volant taille 46 cm	NOT FOR SALE A8009X46MB
3	4	L0007080FO	Collar bearing $\varnothing 8 \times \varnothing 10 \times 5.5 \text{mm}$	Coussinet à collerette $\varnothing 8 \times \varnothing 10 \times 5.5 \text{mm}$	
		322577	Kit grip handle cross tube size 36 cm	Kit traverse de Volant taille 36 cm	
		322578	Kit grip handle cross tube size 38 cm	Kit traverse de Volant taille 38 cm	
4	1	322579	Kit grip handle cross tube size 40 cm	Kit traverse de Volant taille 40 cm	
		322580	Kit grip handle cross tube size 42 cm	Kit traverse de Volant taille 42 cm	
		322581	Kit grip handle cross tube size 44 cm	Kit traverse de Volant taille 44 cm	
		322582	Kit grip handle cross tube size 46 cm	Kit traverse de Volant taille 46 cm	

Side hub



Side hub

Side hub					
Pos	Qty	Stock Code	Description En	Description Fr	Remark
1	1	L4003X36FO	Backrest cord size 36-38 cm	Cordelette dossier taille 36-38 cm	L = 260 mm
		L4003X40FO	Backrest cord size 40-42 cm	Cordelette dossier taille 40-42 cm	L = 300 mm
		L4003X44FO	Backrest cord size 44-46 cm	Cordelette dossier taille 44-46 cm	L = 340 mm
2	1		Backrest safety lock	Verrou dossier	See exploded view p.24
3	1		Left side hub	Articulation dossier gauche	See exploded view p.26
4	1		Right side hub	Articulation dossier droit	See exploded view p.28



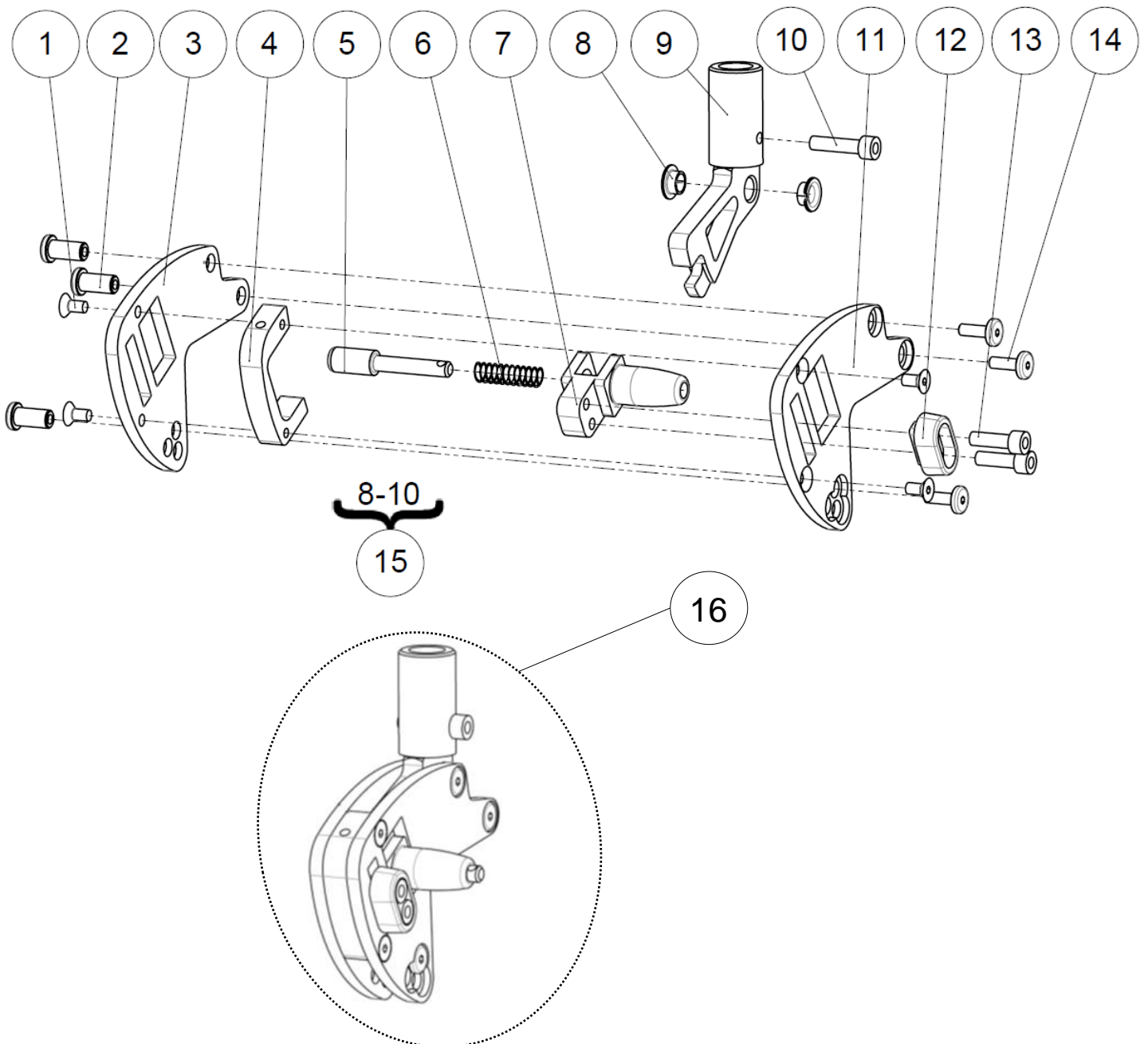


Side hub

Backrest safety lock

Backrest safety lock

Pos	Qty	Stock Code	Description En	Description Fr	Remark
1	1	A9013LXXZN	Safety slide-lock left	Levier gauche verrouillage dossier	
2	1	L3032XXXZN	Spacer Ø8x5x3.5mm	Entretoise Ø8x5x3.5mm	
3	1	RON-OND8D	Wave spring washer Ø8	Rondelle onduflex Ø8 type D	
4	1	A2009XXXFO	Red safety cap	Capuchon sécurité rouge	
5	1	RON-M5ZN	Plain washer Ø5	Rondelle plate M Ø5	
6	1	VIS-CHC5X10ZN	Hexagon socket head cap screw M5x10	Vis tête cylindrique M5x10 six pans creux	
7	1	322583	Kit backrest safety lock	Kit verrou dossier	



Side hub

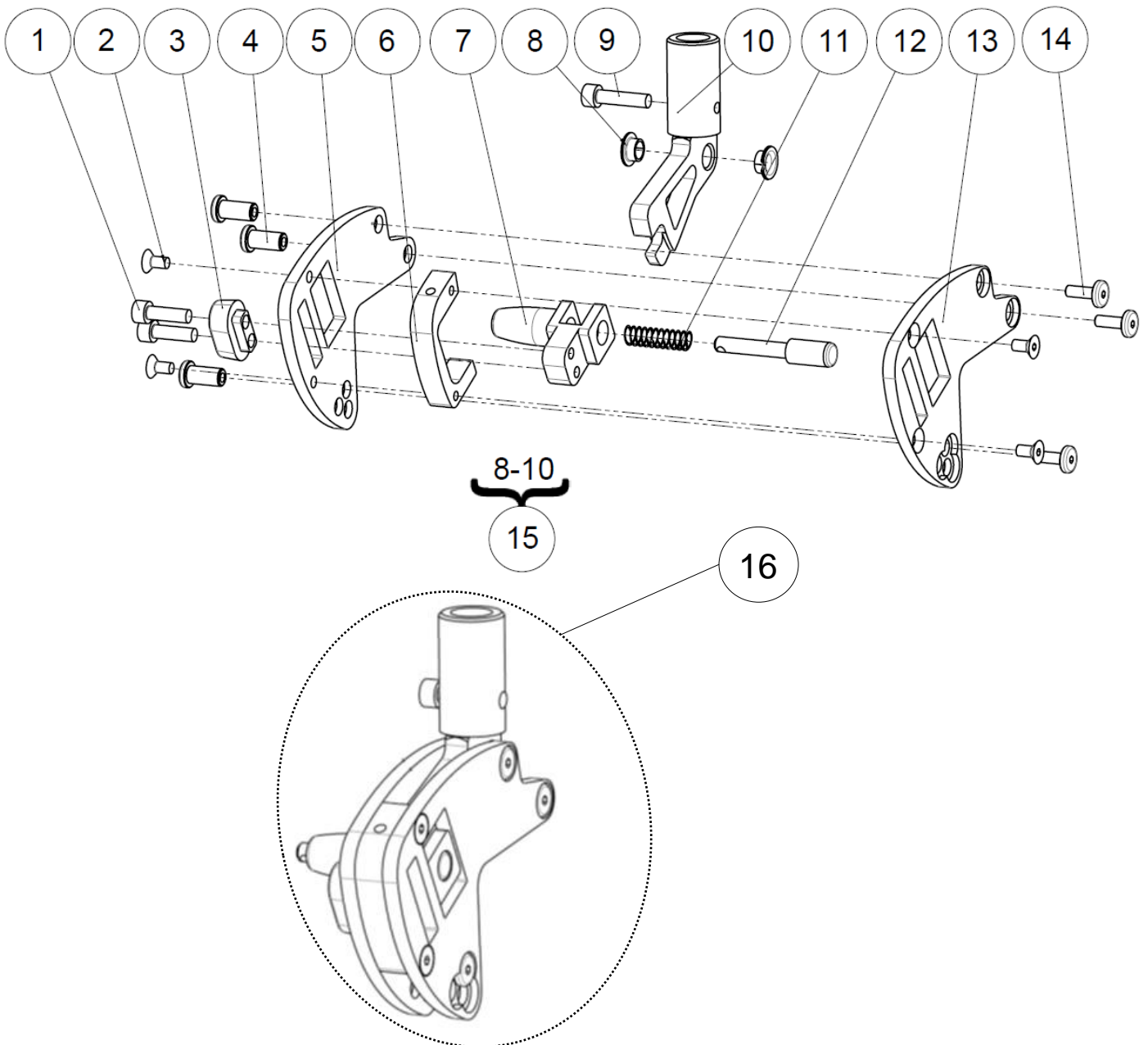
Left side hub

Left side hub

Pos	Qty	Stock Code	Description En	Description Fr	Remark
1	4	VIS-FHC5X10ZN	Hexagon socket countersunk head screw M5x10	Vis tête fraisée M5x10 six pans creux	
2	3	A8022XXXZN	Blended nut	Ecrou noyé	
3	1	A1001RXXAI	Right side hub	Joue droite pour dossier	
4	1	A4005XXXAI	Side hub spacer	Entretoise de joues	
5	1	A1006XXXZN	Backrest blocking spindle	Axe verrouillage dossier	
6	1	A4009XXXFO	Backrest spring Ø8	Ressort de dossier Ø8	
7	1	A4006XXXAI	Backrest blocking spindle	Bloc verrouillage dossier	
8	2	L0007080FO	Collar bearing Ø8xØ10x5.5mm	Coussinet à collerette Ø8xØ10x5.5mm	
9	1		Backrest hook	Crochet de dossier	NOT FOR SALE A4004XXXAI
10	1	VIS-CHC6X25ZN	Hexagon socket head cap screw M6x25	Vis tête cylindrique M6x25 six pans creux	
11	1	A1001LXXAI	Left side hub	Joue gauche pour dossier	
12	1	A4003XXXAI	Backrest angle block	Taquet blocage dossier	
13	2	VIS-CHC6X20ZN	Hexagon socket head cap screw M6x20	Vis tête cylindrique M6x20 six pans creux	
14	3	A8021XXXZN	Blended screw	Vis noyée	
15	1	322586	Kit backrest hook	Kit crochet de dossier	
16	1	322584	Kit left side hub	Kit articulation dossier gauche	

Side hub

Right side hub



Side hub

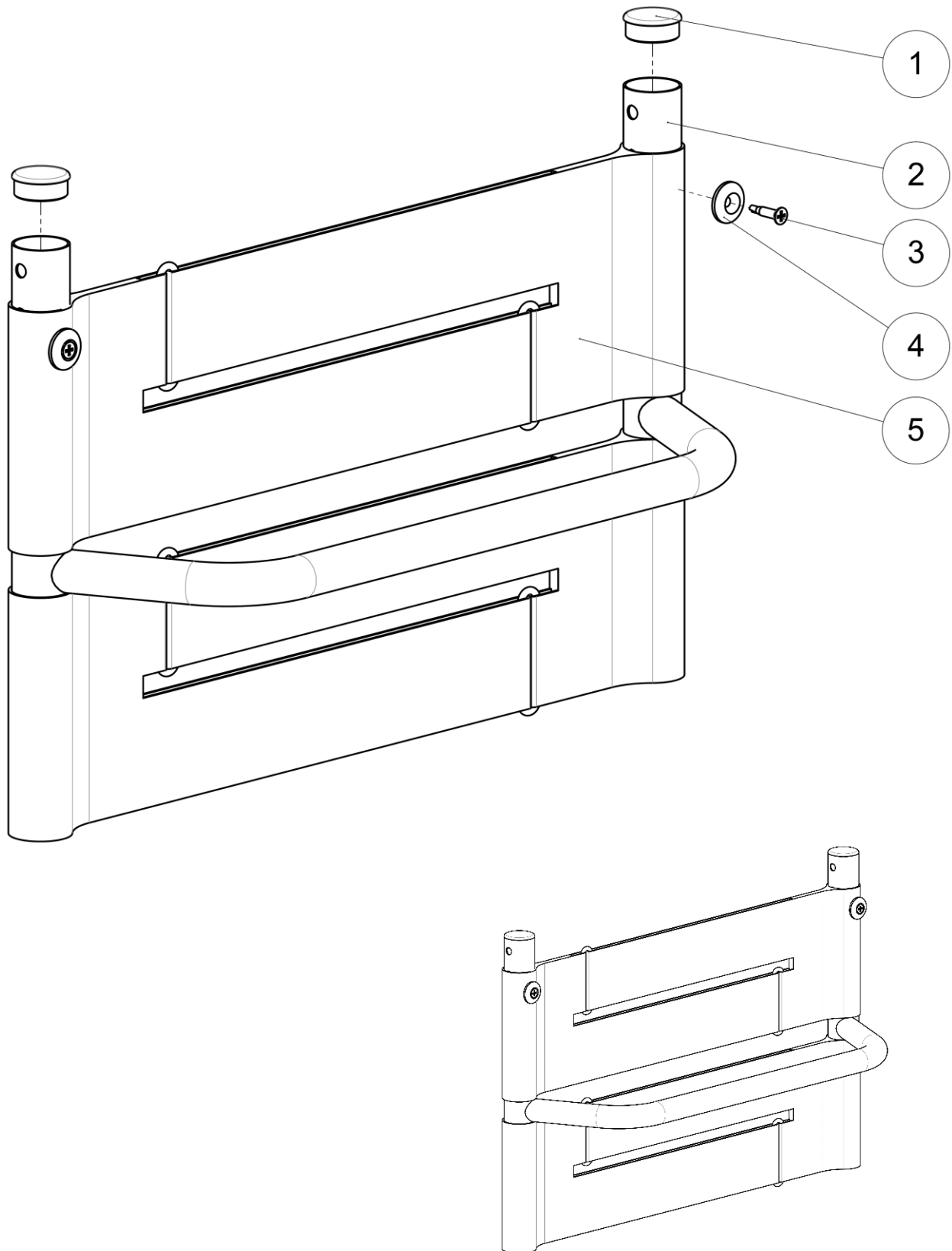
Right side hub

Right side hub

Pos	Qty	Stock Code	Description En	Description Fr	Remark
1	2	VIS-CHC6X20ZN	Hexagon socket head cap screw M6x20	Vis tête cylindrique M6x20 six pans creux	
2	4	VIS-FHC5X10ZN	Hexagon socket countersunk head screw M5x10	Vis tête fraisée M5x10 six pans creux	
3	1	A4003XXXAI	Backrest angle block	Taquet blocage dossier	
4	3	A8022XXXZN	Blended nut	Ecrou noyé	
5	1	A1001RXXAI	Right side hub	Joue droite pour dossier	
6	1	A4005XXXAI	Side hub spacer	Entretoise de joues	
7	1	A4006XXXAI	Backrest blocking spindle	Bloc verrouillage dossier	
8	2	L0007080FO	Collar bearing $\varnothing 8 \times \varnothing 10 \times 5.5 \text{mm}$	Coussinet à collerette $\varnothing 8 \times \varnothing 10 \times 5.5 \text{mm}$	
9	1	VIS-CHC6X25ZN	Hexagon socket head cap screw M6x25	Vis tête cylindrique M6x25 six pans creux	
10	1		Backrest hook	Crochet de dossier	NOT FOR SALE A4004XXXAI
11	1	A4009XXXFO	Backrest spring $\varnothing 8$	Ressort de dossier $\varnothing 8$	
12	1	A1006XXXZN	Backrest blocking spindle	Axe verrouillage dossier	
13	1	A1001LXXAI	Left side hub	Joue gauche pour dossier	
14	3	A8021XXXZN	Blended screw	Vis noyée	
15	1	322586	Kit backrest hook	Kit crochet de dossier	
16	1	322585	Kit right side hub	Kit articulation dossier droit	

Backrest

Backrest





Backrest

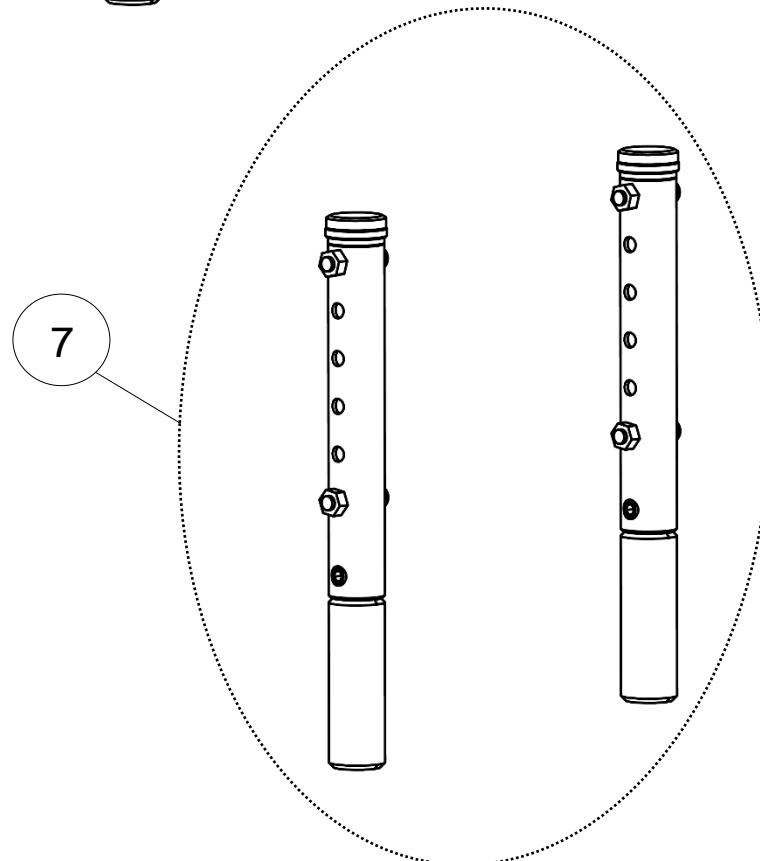
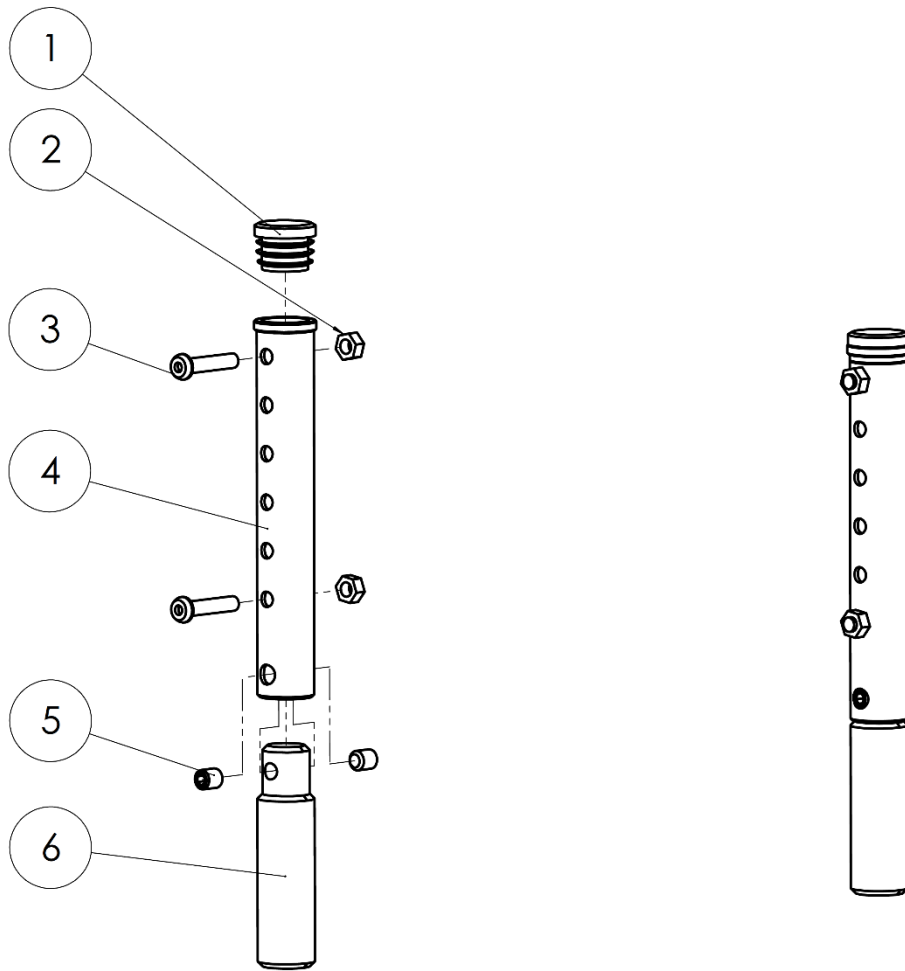
Backrest

Backrest

Pos	Qty	Stock Code	Description En	Description Fr	Remark
1	2	L0005254FO	Black cap for tube Ø25,4mm	Bouchon plastique noir pour tube Ø25,4mm	
		A4002X36MB	Backrest size 36 cm	Dossier microbillé taille 36 cm	
		A4002X38MB	Backrest size 38 cm	Dossier microbillé taille 38 cm	
2	1	A4002X40MB	Backrest size 40 cm	Dossier microbillé taille 40 cm	
		A4002X42MB	Backrest size 42 cm	Dossier microbillé taille 42 cm	
		A4002X44MB	Backrest size 44 cm	Dossier microbillé taille 44 cm	
		A4002X46MB	Backrest size 46 cm	Dossier microbillé taille 46 cm	
3	2	VIS-AUT3.9X19ZN	Cross recessed countersunk head drilling screw Ø3.9x19mm	Vis auto-foreuse à tête fraisée cruciforme Ø3.9x19mm	
4	2	A4015XXXFO	Plastic cup washer Ø4.3mm	Rondelle creuse plastique Ø4.3mm	
5	2	L6002XX2FO	Universal two-strap backrest stay	Sous-dossier 2 sangles taille unique	

Backrest

Backrest reinforcement



Backrest

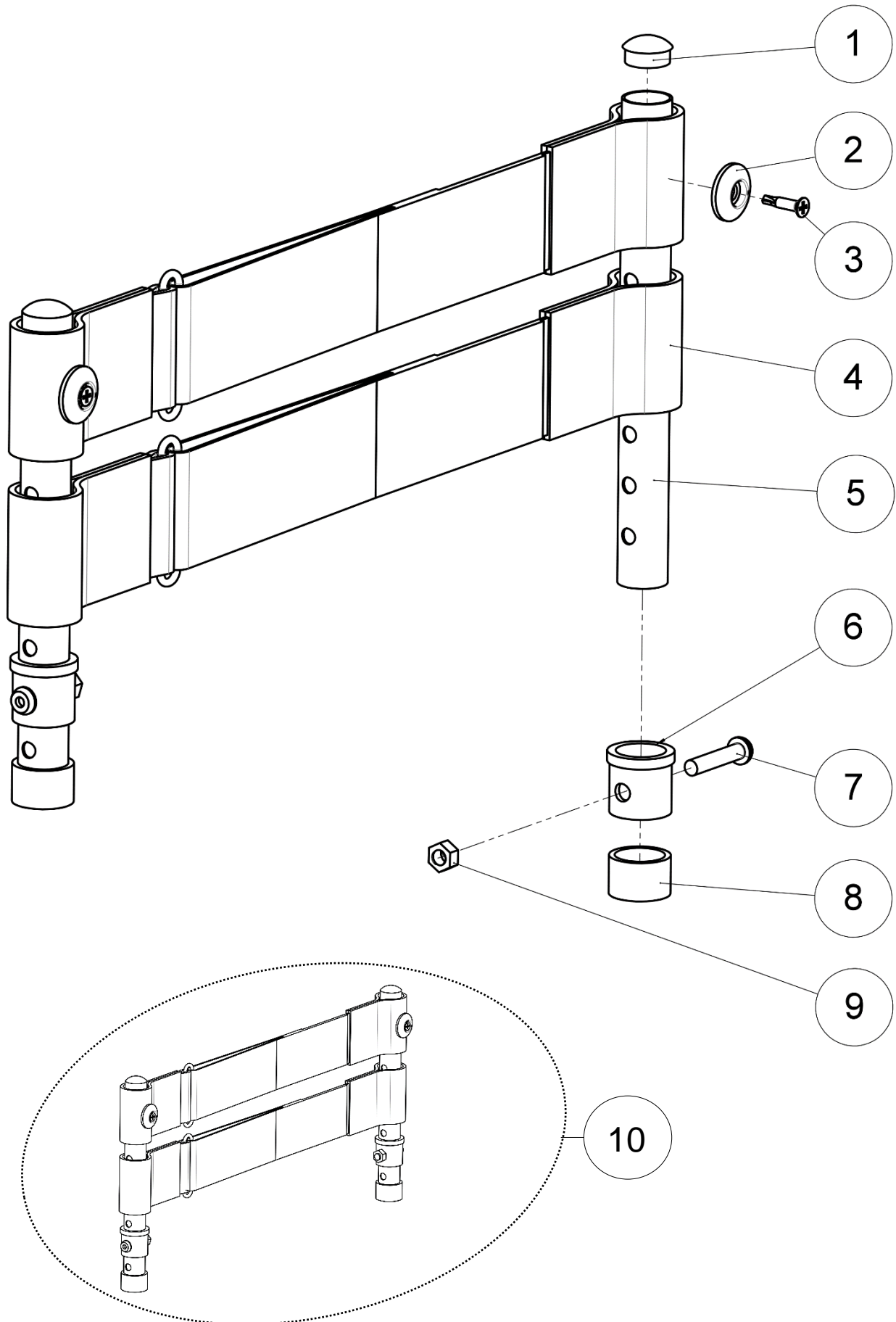
Backrest reinforcement

Backrest reinforcement

Pos	Qty	Stock Code	Description En	Description Fr	Remark
1	2	L0005254FO	Black cap for tube Ø25,4mm	Bouchon plastique noir pour tube Ø25,4mm	
2	4	ECR-H6ZN	Hexagon nut M6	Ecrou M6	
3	4	VIS-CBHC6X30ZN	Hexagon socket button head screw M6x30	Vis tête bombée M6x30 six pans creux	
4	2	A1010XXXFO	Reinforcement tube for backrest	Tube de renforcement pour dossier	
5	4	VIS-HC8X10ZN	Hexagon socket set screw M8x10	Vis sans tête M8x10 six pans creux	
6	2	A1011XXXFO	Reinforcement round bar for backrest	Barre de renforcement pour dossier	
7	1	320691	Kit backrest reinforcement (pair)	Kit renforcement de dossier (paire)	

Backrest

Backrest extension straight



Backrest

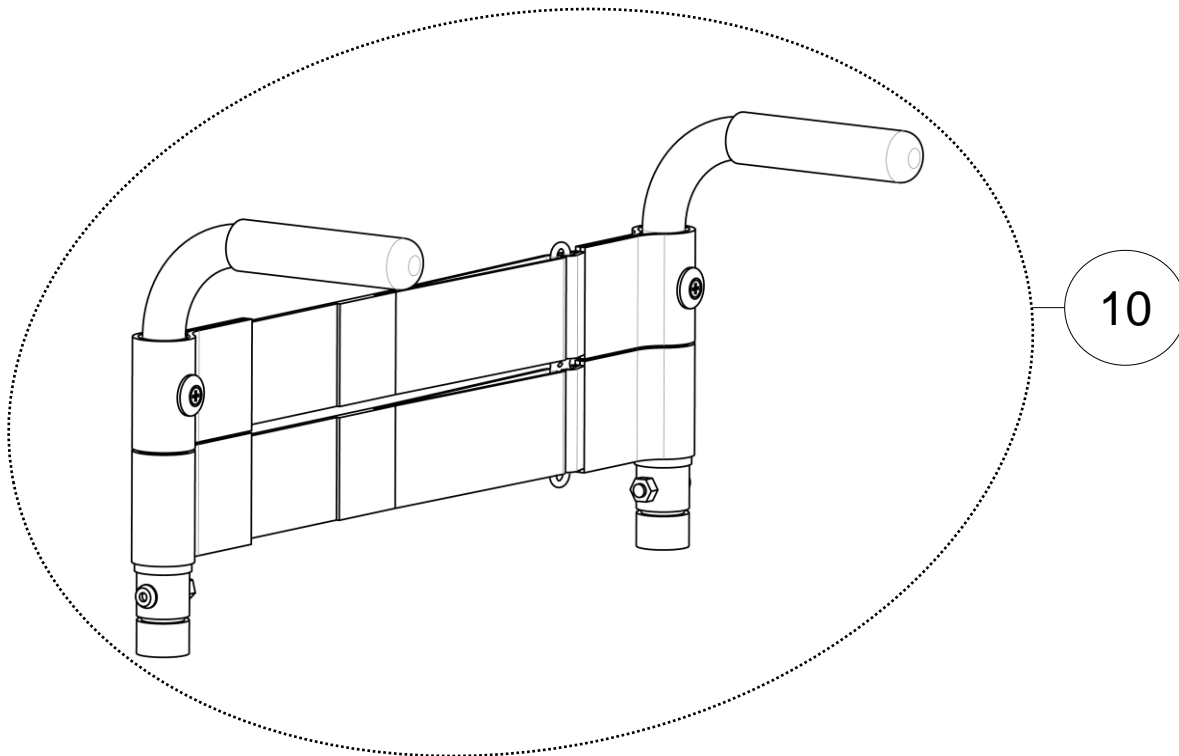
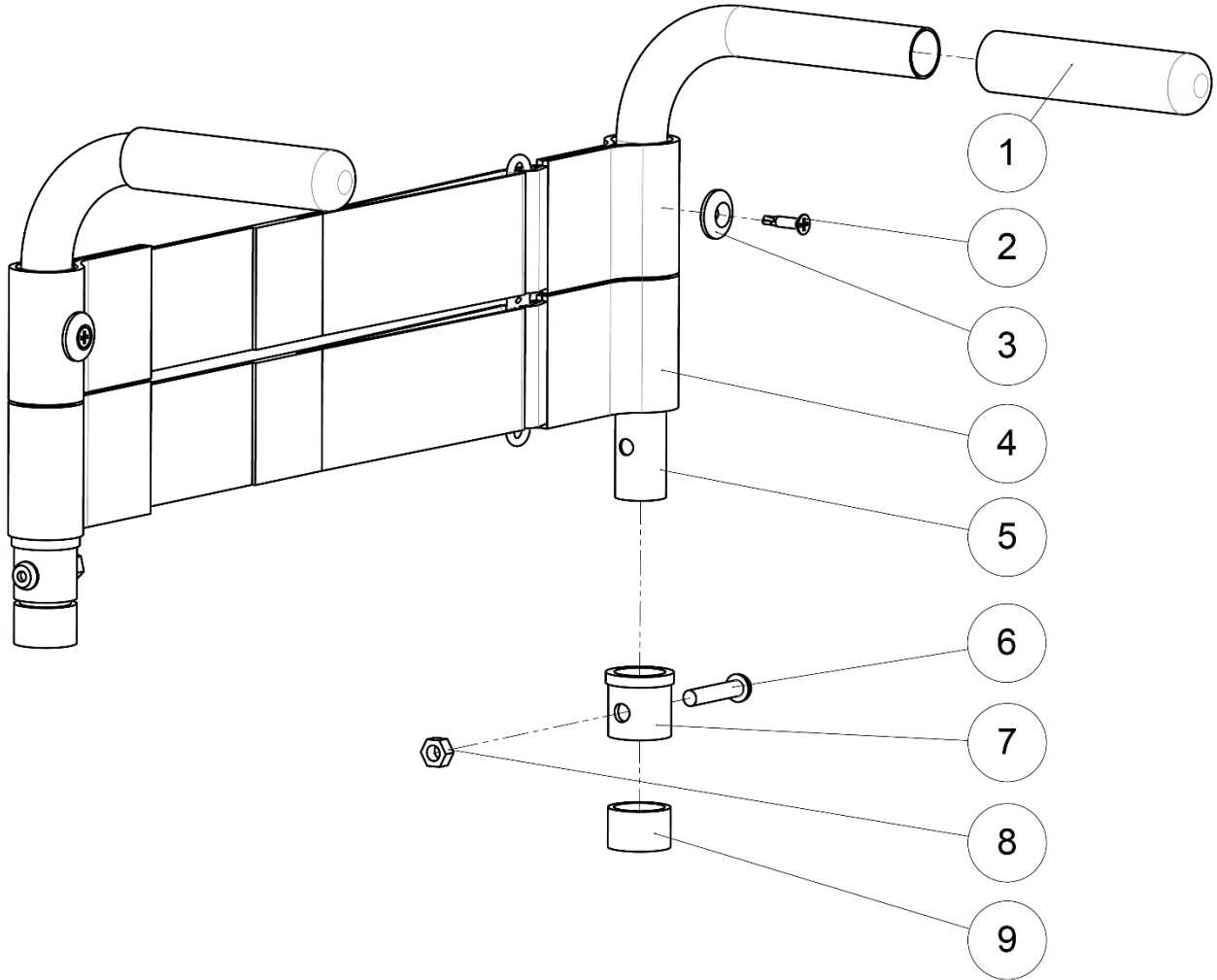
Backrest extension straight

Backrest extension straight

Pos	Qty	Stock Code	Description En	Description Fr	Remark
1	2	A0009XXXFO	Black cap for tube Ø19mm	Bouchon noir pour tube Ø19mm	
2	2	A4015XXXFO	Plastic cup washer Ø4.3mm	Rondelle creuse plastique Ø4.3mm	
3	2	VIS-AUT3.9X19ZN	Cross recessed countersunk head drilling screw Ø3.9x19mm	Vis auto-foreuse à tête fraisée cruciforme Ø3.9x19mm	
4	2	L6002XX1FO	Universal one-strap backrest stay	Sous-dossier 1 sangle taille unique	
5	2	A4008XXXBR	Backrest tube extension	Tube de dossier rallongé	
6	2	A4007XXXFO	Flanged guide ring	Embout de dossier	
7	2	VIS-CBHC6X30ZN	Hexagon socket button head screw M6x30	Vis tête bombée M6x30 six pans creux	
8	2	A4001XXXFO	Cap for push handle	Embout de poignée dossier	
9	2	ECR-H6ZN	Hexagon nut M6	Ecrou M6	
10	1	A4008XXXFO	Kit backrest extension straight (pair)	Kit rallonge dossier droit (paire)	

Backrest

Backrest extension push handle




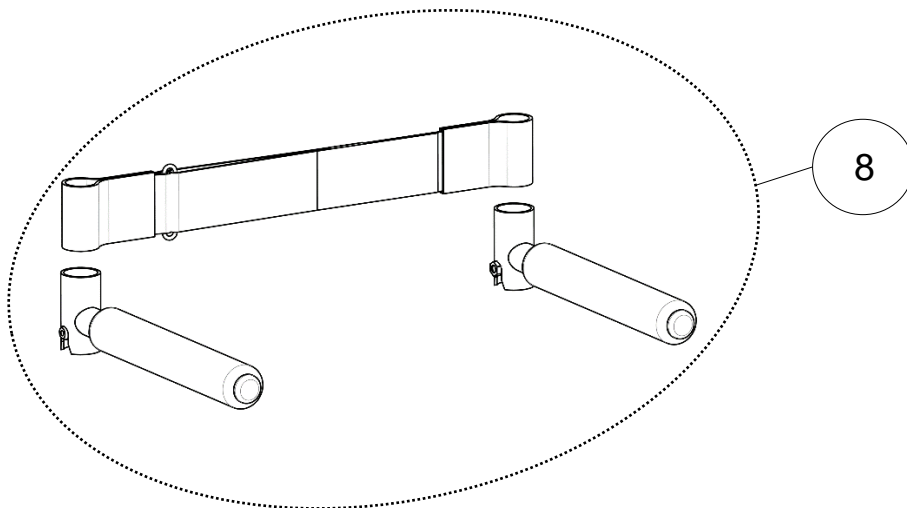
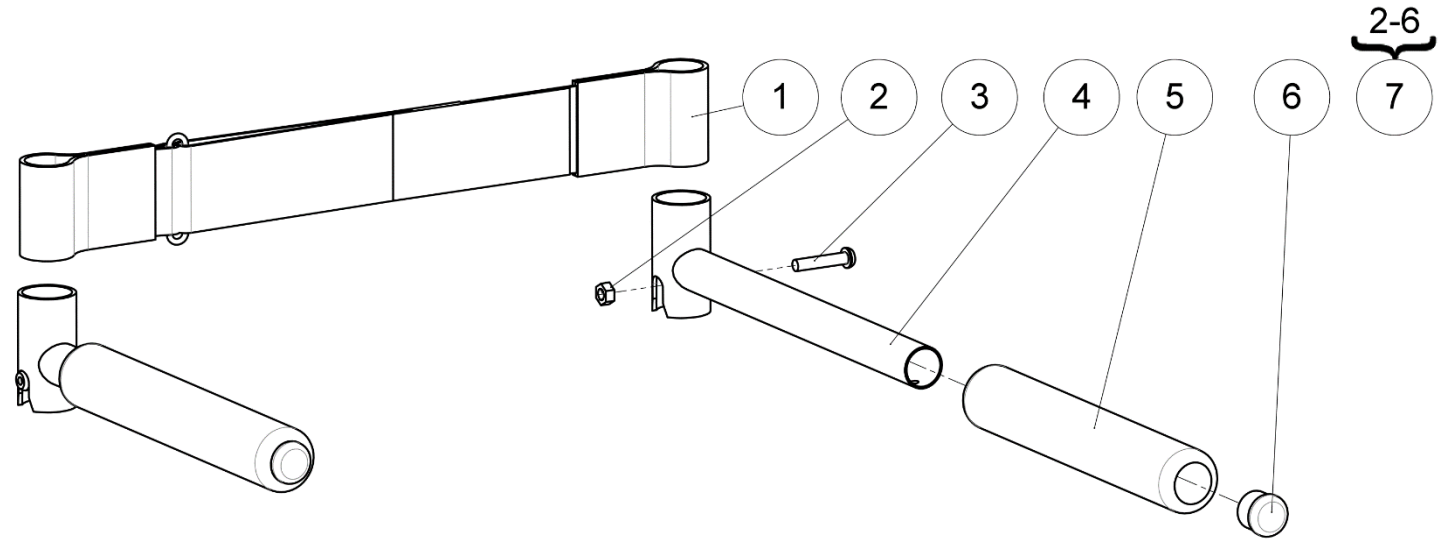
Backrest

Backrest extension push handle

Backrest extension push handle

Pos	Qty	Stock Code	Description En	Description Fr	Remark
1	2	A4014XXXFO	Push handle cover Ø19mm Lg. 95mm	Poignée Ø19mm Lg. 95mm	
2	2	VIS-AUT3.9X19ZN	Cross recessed countersunk head drilling screw Ø3.9x19mm	Vis auto-foreuse à tête fraisée cruciforme Ø3.9x19mm	
3	2	A4015XXXFO	Plastic cup washer Ø4.3mm	Rondelle creuse plastique Ø4.3mm	
4	2	L6002XX1FO	Universal one-strap	Sous-dossier 1 sangle taille unique	
5	2	A4008XCXBR	Bent backrest tube extension	Tube rallonge dossier coudé	
6	2	VIS-CBHC6X30ZN	Hexagon socket button head screw M6x30	Vis tête bombée M6x30 six pans creux	
7	2	A4007XXXFO	Flanged guide ring	Embout de dossier	
8	2	ECR-H6ZN	Hexagon nut M6	Ecrou M6	
9	2	A4001XXXFO	Cap for push handle	Embout de poignée dossier	
10	1	A4018XXXFO	Kit backrest extension push handle (pair)	Kit rallonge dossier avec poignées à pousser (paire)	

LSA	SPARE PART CATALOG		
Item N° 322609	Revision B	Date 04/09/2015	Page 38 of 95
Backrest		Swing away armrest	




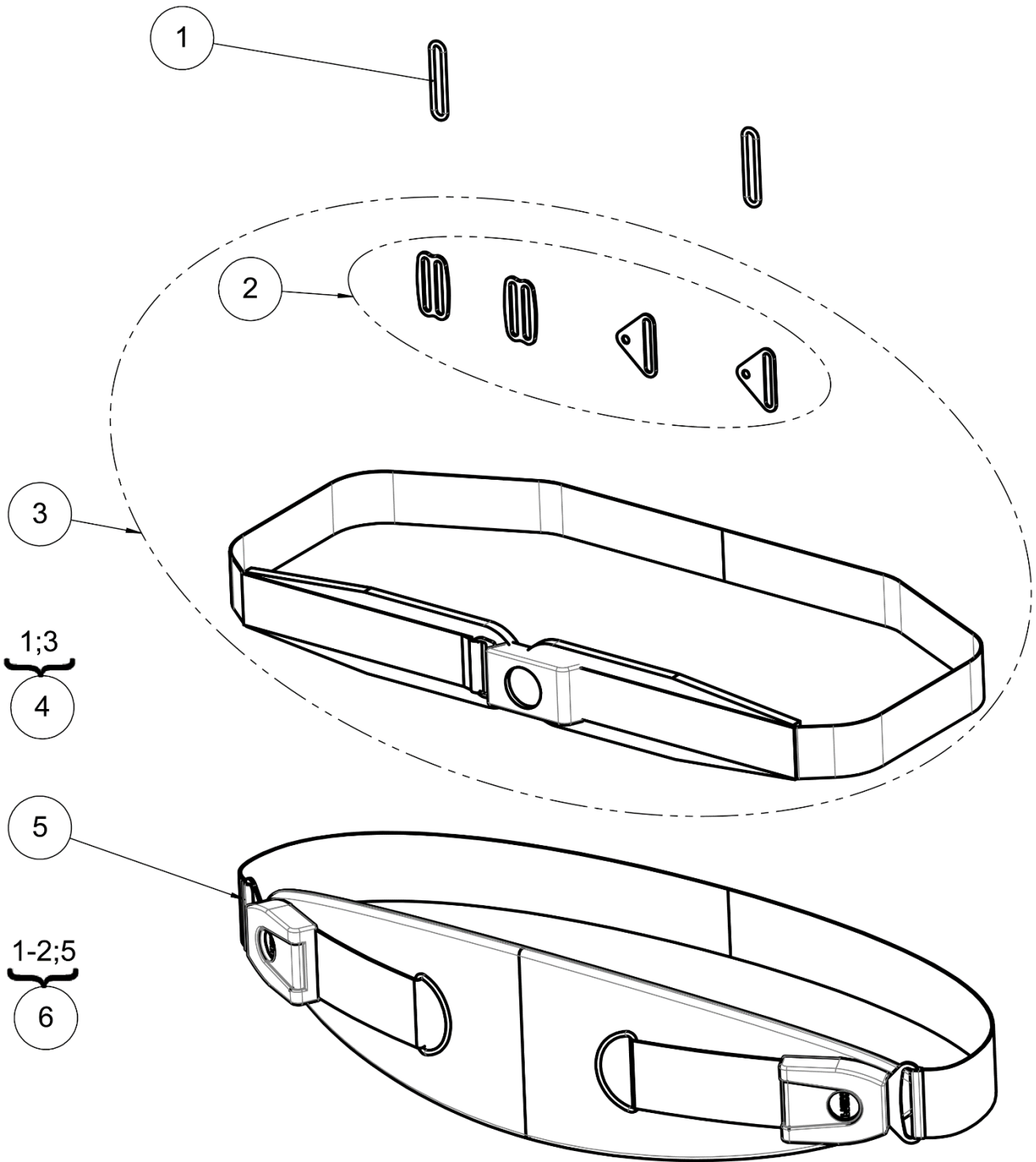
Backrest

Swing away armrest

Swing away armrest

Pos	Qty	Stock Code	Description En	Description Fr	Remark
1	1	L6002XX1FO	Universal one-strap	Sous-dossier 1 sangle taille unique	
2	2	ECR-H6ZN	Hexagon nut M6	Ecrou M6	
3	2	VIS-CBHC6X30ZN	Hexagon socket button head screw M6x30	Vis tête bombée M6x30 six pans creux	
4	2	A4055XXXPN	Armrest tube	Support accoudoir	
5	2	A4056XXXFO	Handle foam	Mousse pour poignée	
6	2	L0005221FO	Black cap for tube Ø22,1mm	Bouchon plastique noir pour tube Ø22,1mm	
7	2	322587	Kit armrest tube (unit)	Kit support accoudoir (l'unité)	
8	1	A4050XXXFO	Kit swing away armrest (pair)	Kit accoudoirs escamotables (paire)	

LSA	SPARE PART CATALOG		
Item N° 322609	Revision B	Date 04/09/2015	Page 40 of 95
Backrest		Bodypoint strap	





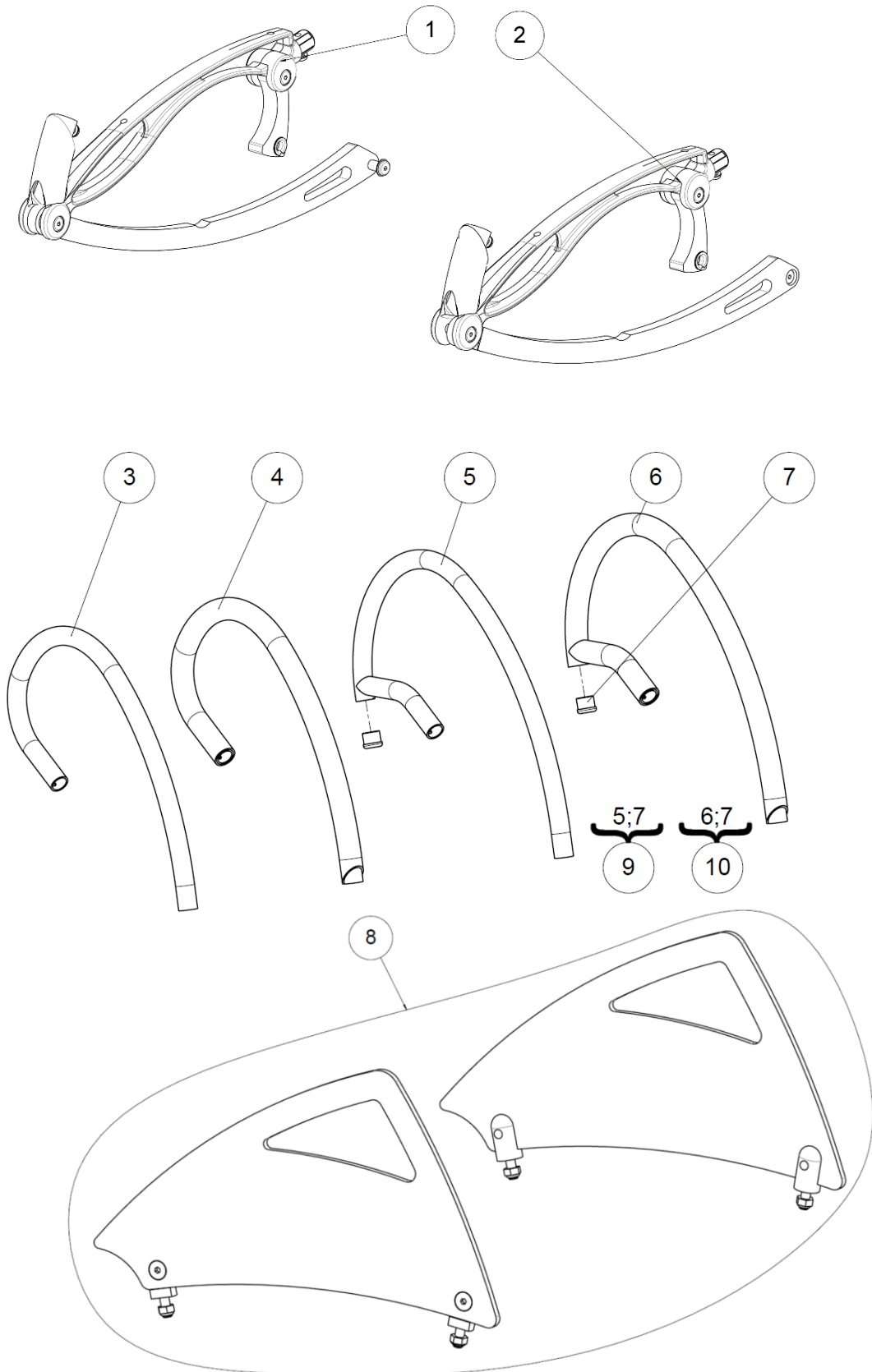
Backrest

Bodypoint strap

Bodypoint strap

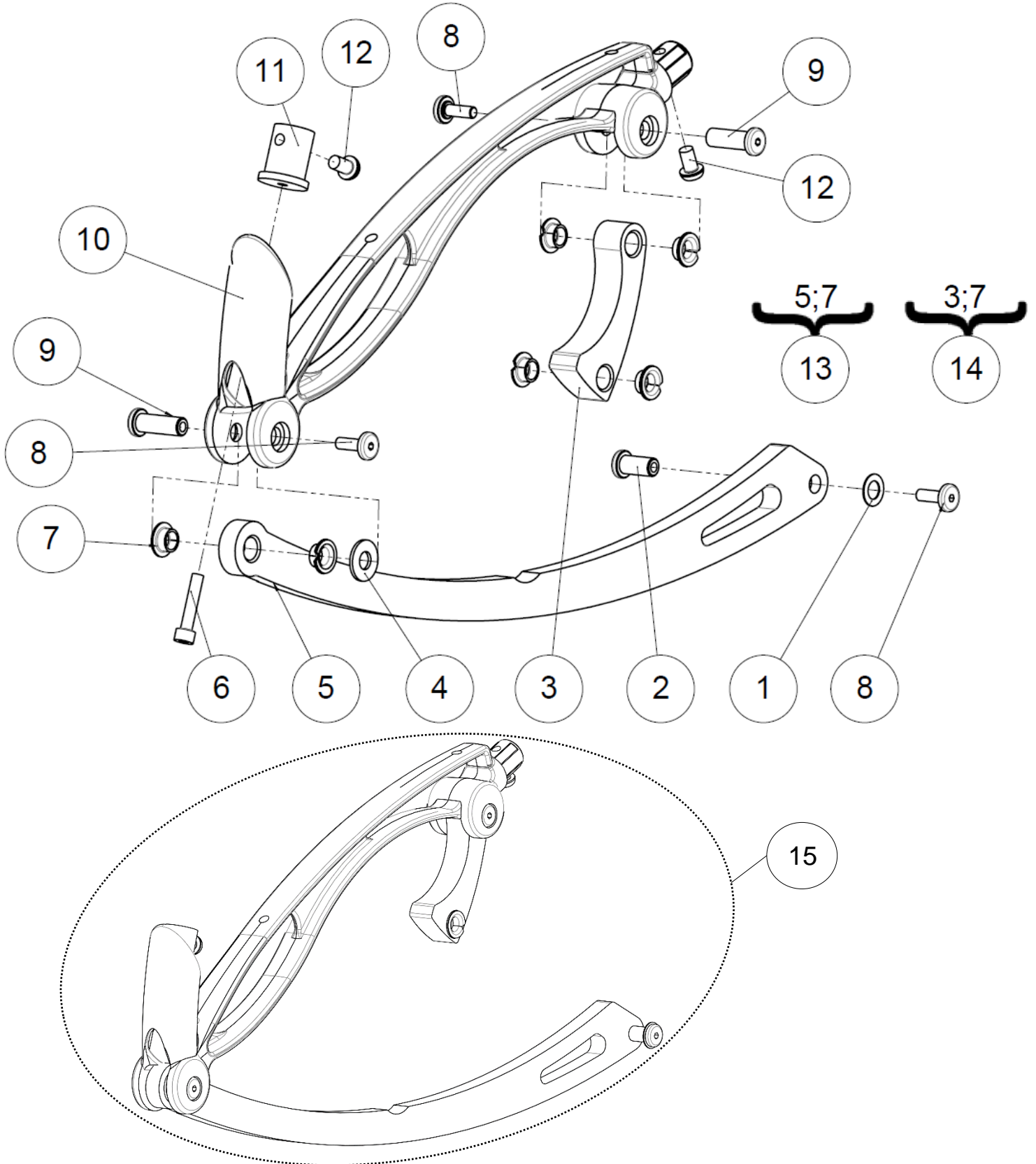
Pos	Qty	Stock Code	Description En	Description Fr	Remark
1	2	L6008XXXFO	Metal ring	Boucle métallique	
2	1	N-POBAS50	Fixation kit	Kit de fixation	
3	1		Bodypoint chest strap S/M	Ceinture ventrale S&M	NOT FOR SALE N-POBAS30
			Bodypoint chest strap L	Ceinture ventrale L	NOT FOR SALE N-POBAS31
4	1	322914	Kit Bodypoint chest strap S/M	Kit ceinture ventrale S&M	
		322915	Kit Bodypoint chest strap L	Kit ceinture ventrale L	
5	1		Bodypoint large abdominal strap	Sangle abdominale	NOT FOR SALE N-POBAS40
6	1	322916	Kit Bodypoint large abdominal strap	Kit sangle abdominale	

Stand-up



Stand-up

Stand-up					
Pos	Qty	Stock Code	Description En	Description Fr	Remark
1	1		Arm loop lever right	Volant de verticalisation droit	See exploded view p.44
2	1		Arm loop lever left	Volant de verticalisation gauche	See exploded view p.46
3		A8005XXXPN	Grip handle	Volant de verticalisation	
4		A8005PVCFO	Rubber coated grip handle	Volant de verticalisation plastifié	
5	2		Long grip handle	Volant de verticalisation long	NOT FOR SALE A8005XLGPN
6			Long rubber coated grip handle	Volant de verticalisation long plastifié	NOT FOR SALE A8005XLGPL
7	2	L0005221FO	Black cap for tube Ø22,1mm	Bouchon plastique noir pour tube Ø22,1mm	
8	1		Carbon side guard	Protège vêtements carbone	See exploded view p.48
9	2	323042	Kit long grip handle (unit)	Kit volant long (l'unité)	
10	2	323043	Kit long rubber coated grip handle (unit)	Kit volant long plastifié (l'unité)	




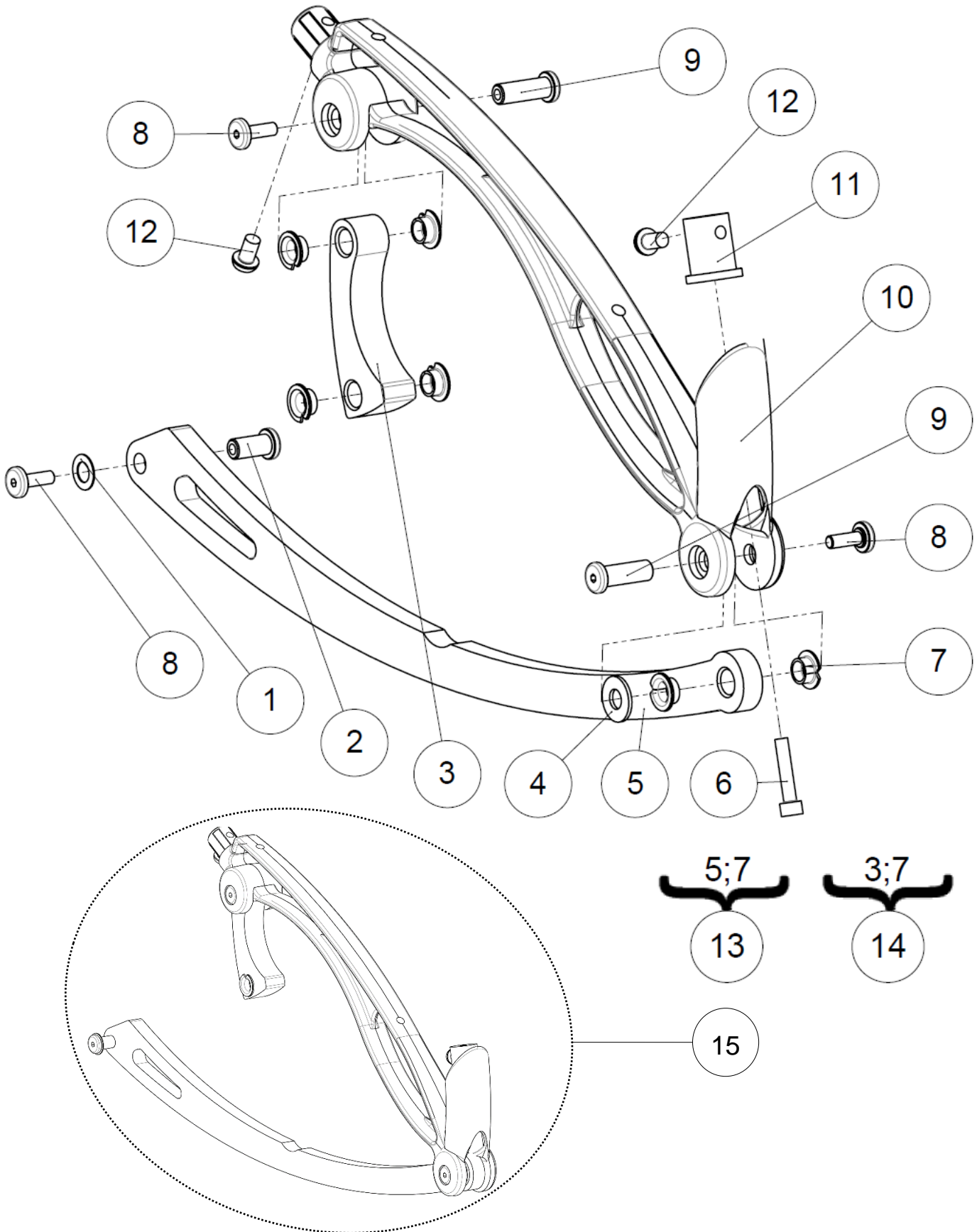
Stand-up

Arm loop lever right

Arm loop lever right

Pos	Qty	Stock Code	Description En	Description Fr	Remark
1	1	RON-Z8FINEPLAS	Nylon washer Ø8.1x14x0.5mm	Rondelle plate nylon Ø8.1x14x0.5mm	
2	1	A8022XXXZN	Blended nut	Ecrou noyé	
3	1		Grip handle joint crank	Bielle articulation volant	NOT FOR SALE A8004XXXAI
4	1	RON-M8ZN	Plain washer Ø8	Rondelle plate M Ø8	
5	1		Right side bent lever	Levier droit	NOT FOR SALE A8002RXXFO
6	1	VIS-CHC5X25ZN	Hexagon socket head cap screw M5x25	Vis tête cylindrique M5x25 six pans creux	
7	6	L0007080FO	Collar bearing Ø8xØ10x5.5mm	Coussinet à collerette Ø8xØ10x5.5mm	
8	3	A8021XXXZN	Blended screw	Vis noyée	
9	2	A8023XXXZN	Long blended nut	Ecrou noyé long	
10	1	A8006XXXPN	Grip handle brace	Embase volant	
11	1	A8001XXXAI	Grip handle lug	Bossage volant	
12	2	VIS-CBHC6X16N	Hexagon socket button head screw M6x16 black	Vis tête bombée M6x16 six pans creux noire	
13	1	322590	Kit bend lever rod right	Kit levier droit	
14	1	322592	Kit grip handle joint crank	Kit bielle articulation volant	
15	1	322588	Kit arm loop lever right	Kit volant de verticalisation droit	

LSA	SPARE PART CATALOG		
Item N° 322609	Revision B	Date 04/09/2015	Page 46 of 95
Stand-up		Arm loop lever left	



Stand-up

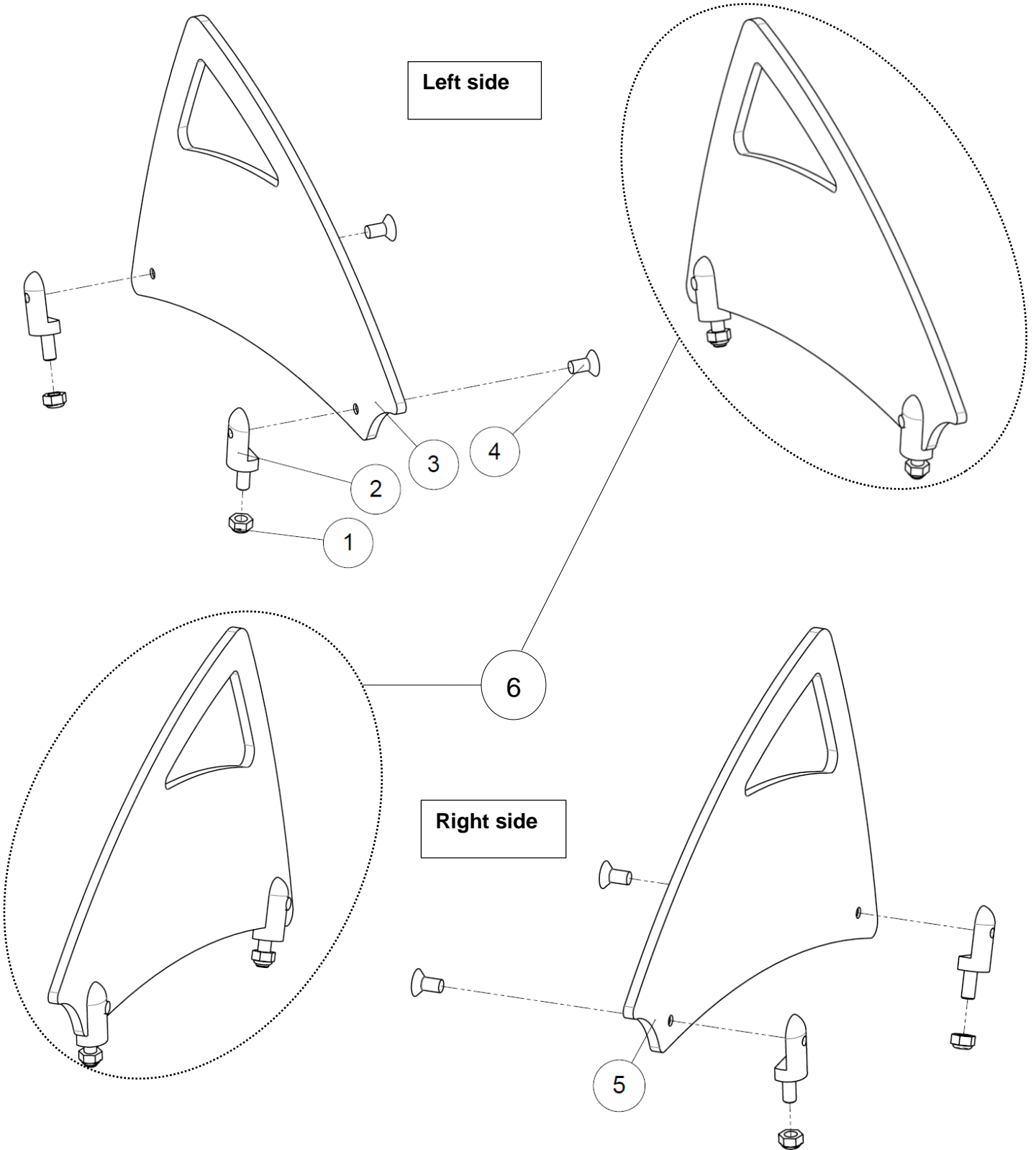
Arm loop lever left

Arm loop lever left

Pos	Qty	Stock Code	Description En	Description Fr	Remark
1	1	RON-Z8FINEPLAS	Nylon washer Ø8.1x14x0.5mm	Rondelle plate nylon Ø8.1x14x0.5mm	
2	1	A8022XXXZN	Blended nut	Ecrou noyé	
3	1		Grip handle joint crank	Bielle articulation volant	NOT FOR SALE A8004XXXAI
4	1	RON-M8ZN	Plain washer Ø8	Rondelle plate M Ø8	
5	1		Left side bent lever	Levier gauche	NOT FOR SALE A8002LXXFO
6	1	VIS-CHC5X25ZN	Hexagon socket head cap screw M5x25	Vis tête cylindrique M5x25 six pans creux	
7	6	L0007080FO	Collar bearing Ø8xØ10x5.5mm	Coussinet à collerette Ø8xØ10x5.5mm	
8	3	A8021XXXZN	Blended screw	Vis noyée	
9	2	A8023XXXZN	Long blended nut	Ecrou noyé long	
10	1	A8006XXXPN	Grip handle brace	Embase volant	
11	1	A8001XXXAI	Grip handle lug	Bossage volant	
12	2	VIS-CBHC6X16N	Hexagon socket button head screw M6x16 black	Vis tête bombée M6x16 six pans creux noire	
13	1	322591	Kit bend lever rod left	Kit levier gauche	
14	1	322592	Kit grip handle joint crank	Kit bielle articulation volant	
15	1	322589	Kit arm loop lever left	Kit volant de verticalisation gauche	

Left side

Right side





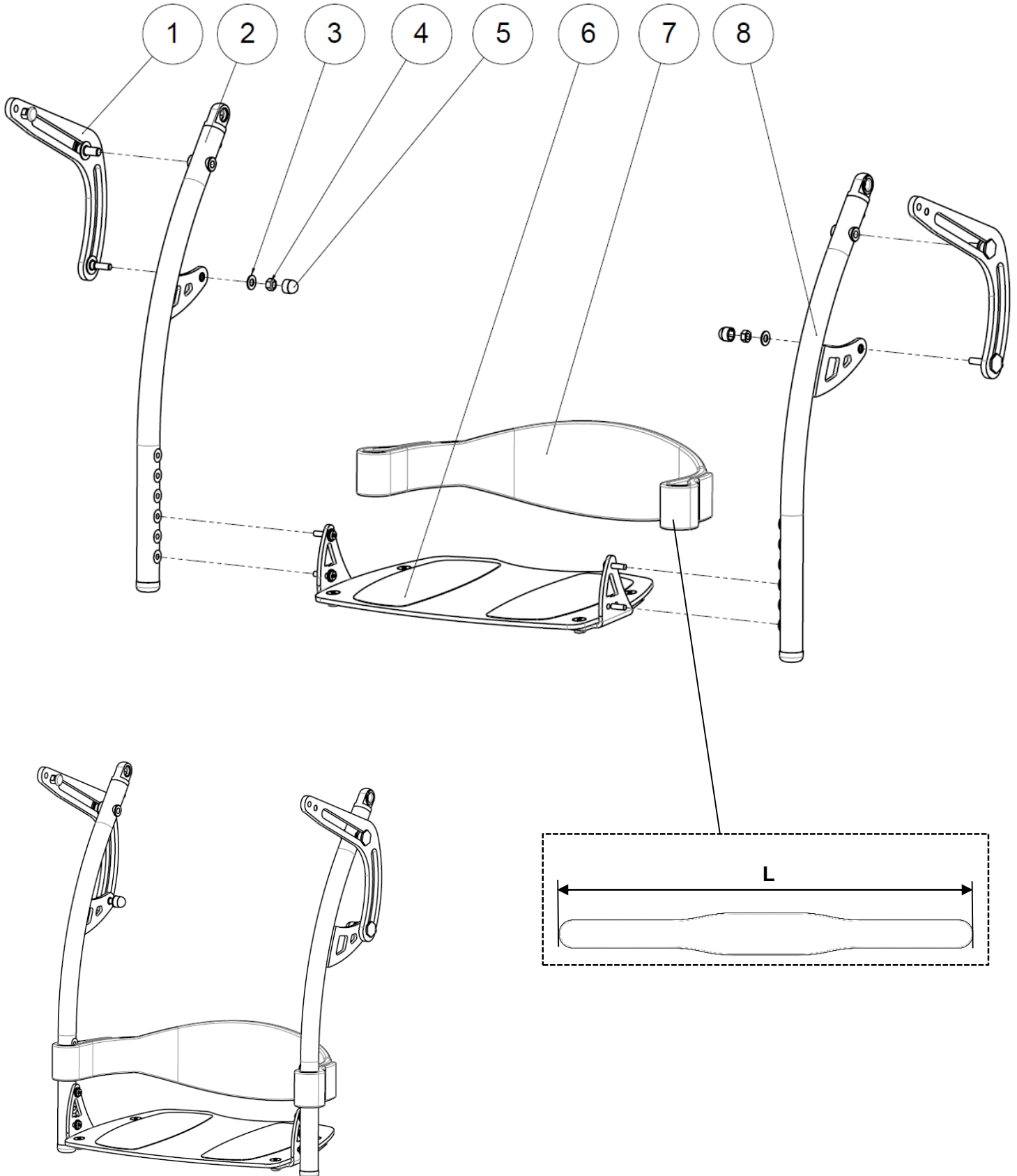
Stand-up

Carbon fiber side guards

Carbon fiber side guards


Pos	Qty	Stock Code	Description En	Description Fr	Remark
1	4	ECR-HFR5ZN	Prevailing torque type hexagon nut M5	Ecrou frein M5	
2	4	A9012XXXZN	Side-guard fitting	Fixation protège vêtements	
3	1	A9011LXXFO	Left carbon side-guard	Protège vêtements gauche carbone	
4	4	VIS-FHC4X8ZN	Hexagon socket countersunk head screw M4x8	Vis tête fraisée M4x8 six pans creux	
5	1	A9011RXXFO	Right carbon side-guard	Protège vêtements droit carbone	
6	1	A9010XXXFO	Kit carbon fiber side guard (pair)	Kit protèges vêtements carbone (paire)	

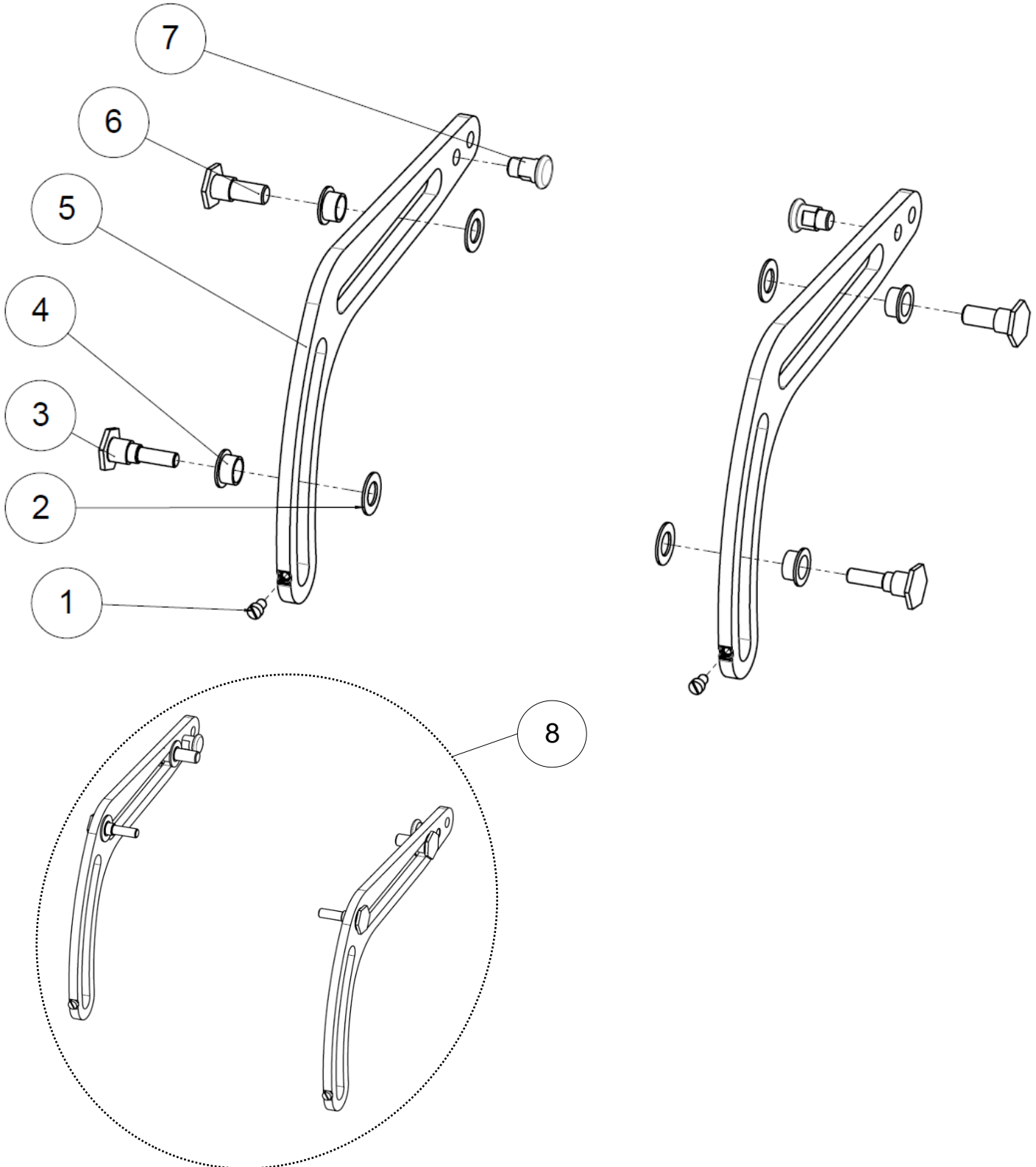
Footrest



Footrest

Footrest					
Pos	Qty	Stock Code	Description En	Description Fr	Remark
1	2		Knee pad rocking lever	Biellettes genouillères	See exploded view p.52
2	1		Footrest tube right	Tube jambier droit	See exploded view p.54
3	2	RON-M6ZN	Plain washer Ø6	Rondelle plate M Ø6	
4	2	ECR-HFR6ZN	Prevailing torque type hexagon nut M6	Ecrou frein M6	
5	2	C0215XXXFO	Nut cap M6	Cache écrou M6	
6	1		Footplate size 36 cm Footplate size 38 cm Footplate size 40 cm Footplate size 42 cm Footplate size 44 cm Footplate size 46 cm	Palette repose pieds taille 36 cm Palette repose pieds taille 38 cm Palette repose pieds taille 40 cm Palette repose pieds taille 42 cm Palette repose pieds taille 44 cm Palette repose pieds taille 46 cm	See exploded view p.58
7	1	N-POMOL05 N-POMOL06	Padded calf panel M Padded calf panel L	Sangle mollet rembourrée M Sangle mollet rembourrée L	L = 890 mm L = 1000 mm
8	1		Footrest tube left	Tube jambier gauche	See exploded view p.56

LSA	SPARE PART CATALOG		
Item N° 322609	Revision B	Date 04/09/2015	Page 52 of 95
Footrest		Knee pad rocking lever	

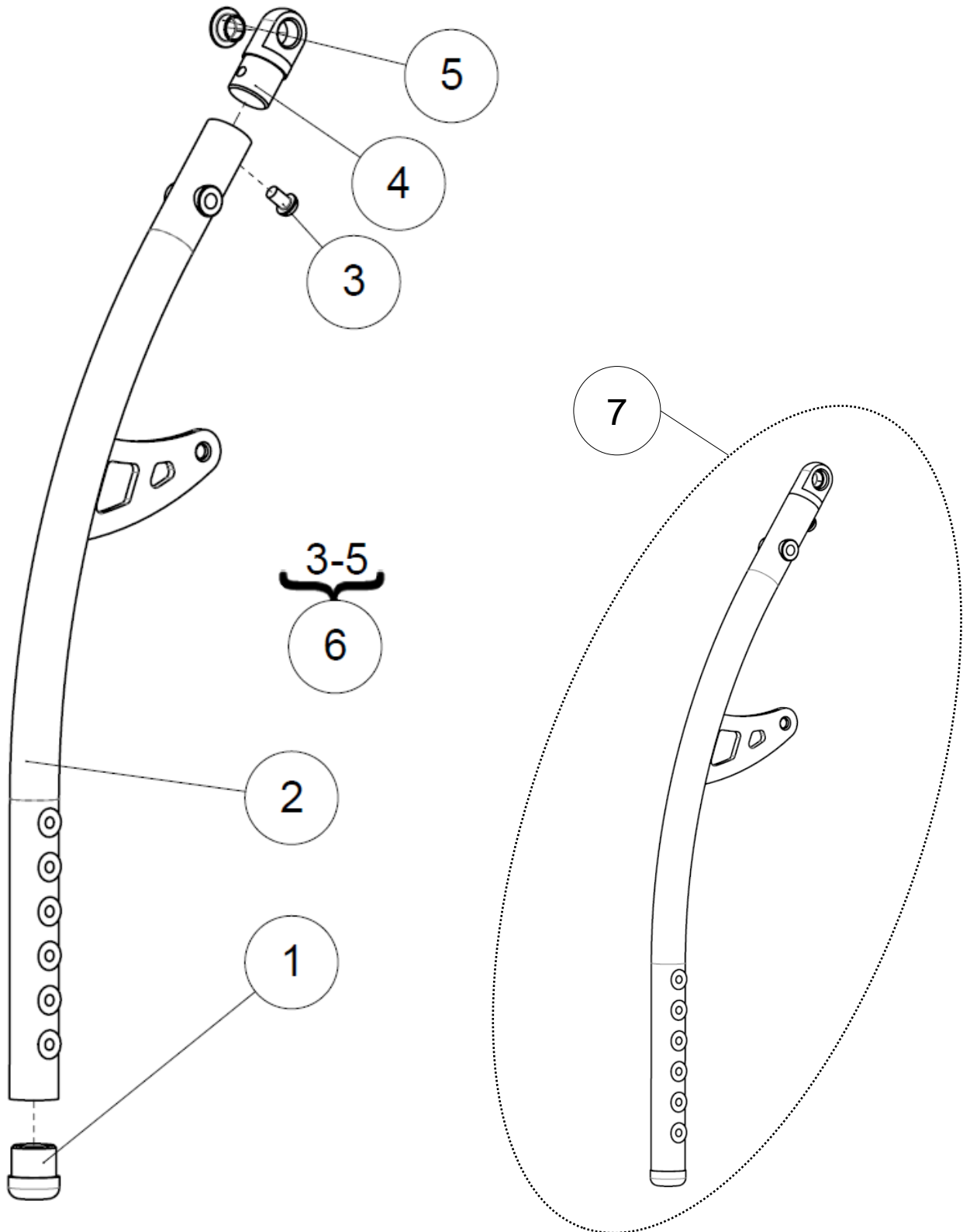


Footrest

Knee pad rocking lever

Knee pad rocking lever

Pos	Qty	Stock Code	Description En	Description Fr	Remark
1	2	614404	Spring plunger M4	Poussoir à resort M4	
2	4	614402	Washer Ø10.2X18X1mm PA6.6	Rondelle Ø10.2x18x1mm PA6.6	
3	2	322166	Knee-support rocking lever spindle	Axe biellette de genouillère	
4	4	614403	Flanged bearing Ø10xØ12x6mm PA6.6	Palier épaulé Ø10xØ12x6mm PA6.6	
5	2	322168	Kneepad rocking lever	Biellette de genouillère	
6	2	322167	Knee support rocking lever spindle 2	Axe épauler de biellette	
7	2	322165	Knee support lug spindle	Axe de genouillère à tenon	
8	1	322169	Kit knee pad rocking lever (pair)	Kit biellettes genouillères (paire)	



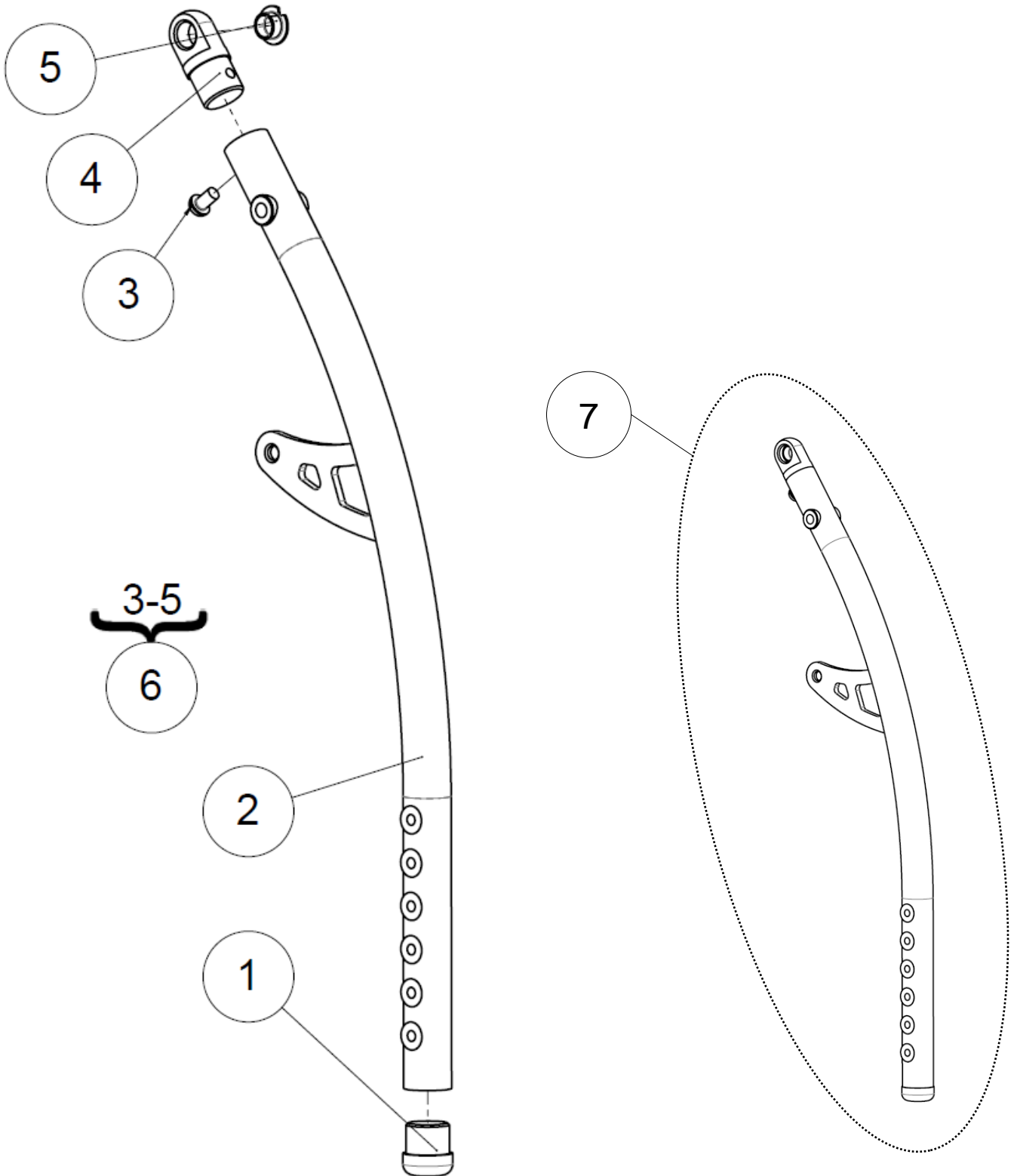


Footrest

Right footrest tube

Right footrest tube

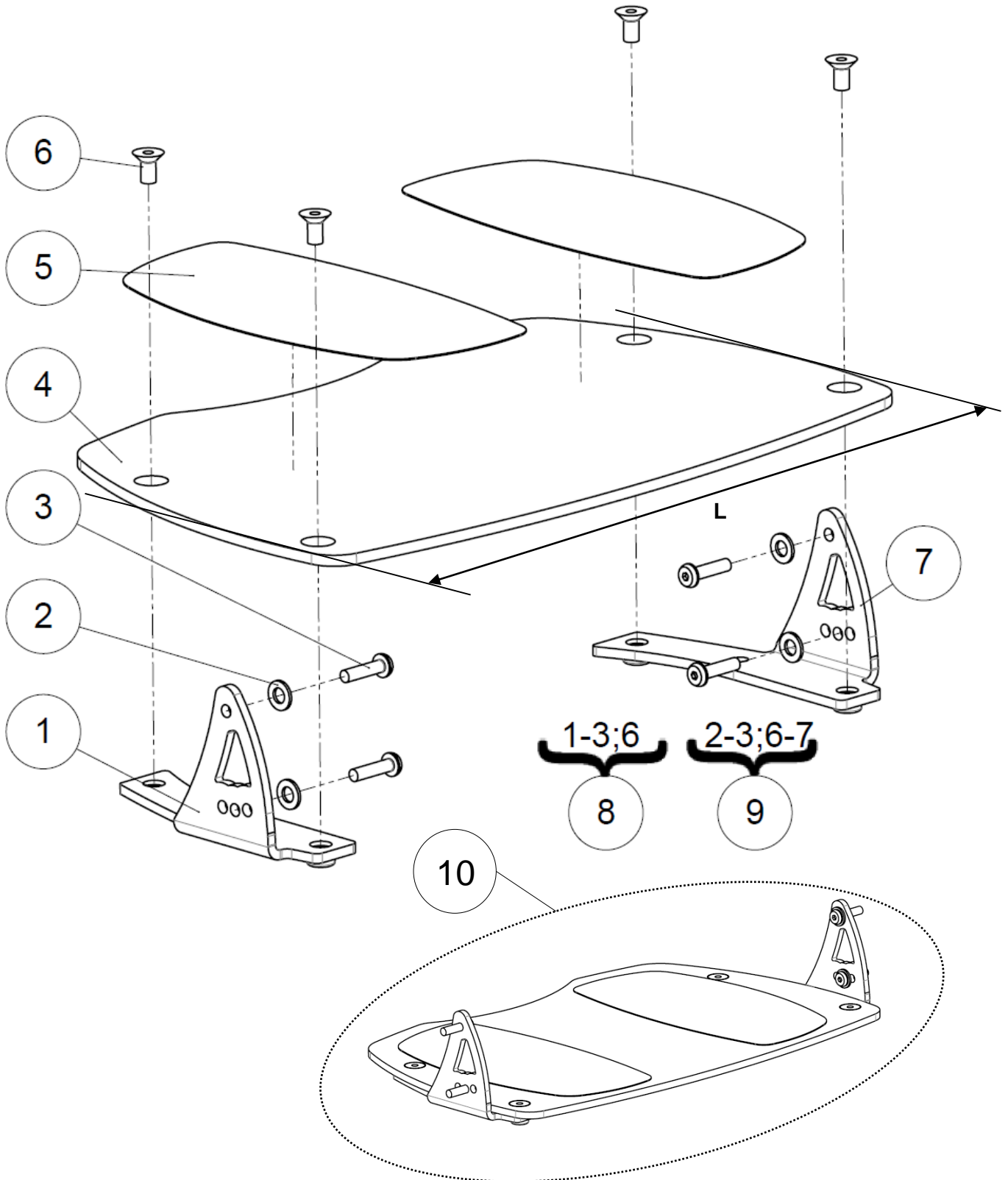
Pos	Qty	Stock Code	Description En	Description Fr	Remark
1	1	L0006195FO	Footrest plug Ø19,5mm + wedge	Tampon RP Ø19,5mm + cheville	
2	1	A3006RXXPN	Right footrest tube	Montant repose pieds droit	
3	1	VIS-CBHC6X16ZN	Hexagon socket button head screw M6x16	Vis tête bombée M6x16 six pans creux	
4	1		Footrest tube upper lug	Tenon supérieur de repose pieds	NOT FOR SALE A3007XXXAI
5	1	L0007110FO	Collar bearing Ø10xØ12x9mm	Coussinet à collerette Ø10xØ12x9mm	
6	1	322601	Kit footrest tube upper lug	Kit tenon supérieur de repose pieds	
7	1	322599	Kit footrest tube right	Kit tube jambier droit	



Footrest

Left footrest tube

Left footrest tube					
Pos	Qty	Stock Code	Description En	Description Fr	Remark
1	1	L0006195FO	Footrest plug Ø19,5mm + wedge	Tampon RP Ø19,5mm + cheville	
2	1	A3006LXXPN	Left footrest tube	Montant repose pieds gauche	
3	1	VIS-CBHC6X16ZN	Hexagon socket button head screw M6x16	Vis tête bombée M6x16 six pans creux	
4	1		Footrest tube upper lug	Tenon supérieur de repose pieds	NOT FOR SALE A3007XXXAI
5	1	L0007110FO	Collar bearing Ø10xØ12x9mm	Coussinet à collerette Ø10xØ12x9mm	
6	1	322601	Kit footrest tube upper lug	Kit tenon supérieur de repose pieds	
7	1	322600	Kit footrest tube left	Kit tube jambier gauche	



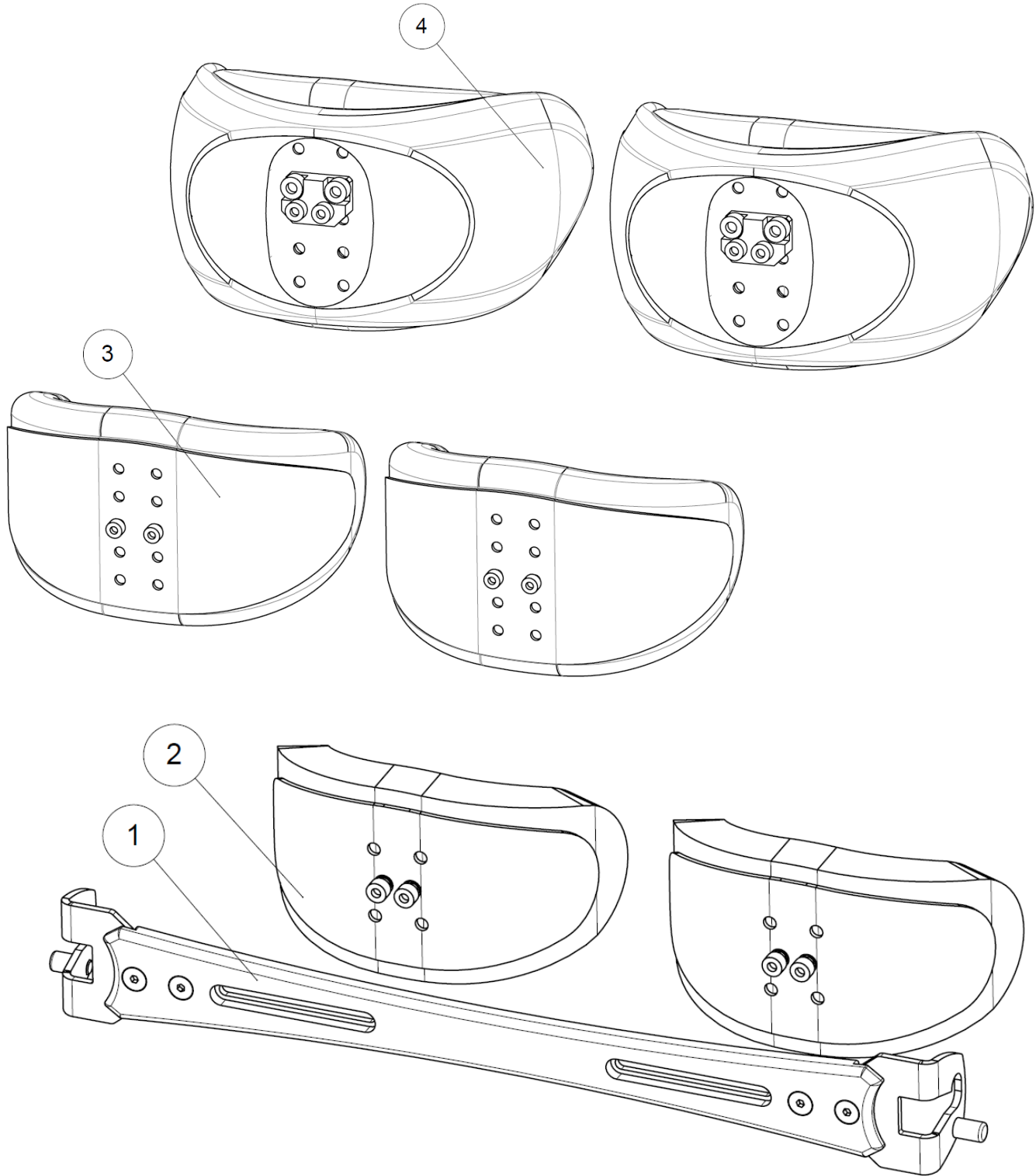
Footrest

Footrest plate

Footrest plate

Pos	Qty	Stock Code	Description En	Description Fr	Remark
1	1	321484	Bracket footplate right	Equerre droite de repose pieds	
2	4	RON-RES5S	Spring washer Ø5 type S	Rondelle ressort Ø5 type S	
3	4	VIS-CBHC5X20ZN	Hexagon socket button head screw M5x20	Vis tête bombée M5x20 six pans creux	
4	1	321475	Monobloc footplat size 36 cm	Palette carbone taille 36 cm	L = 280mm
		321476	Monobloc footplat size 38 cm	Palette carbone taille 38 cm	L = 300mm
		321477	Monobloc footplat size 40 cm	Palette carbone taille 40 cm	L = 320mm
		321478	Monobloc footplat size 42 cm	Palette carbone taille 42 cm	L = 340mm
		321479	Monobloc footplat size 44 cm	Palette carbone taille 44 cm	L = 360mm
		321480	Monobloc footplat size 46 cm	Palette carbone taille 46 cm	L = 380mm
5	2	F0030XXXFO	Anti skid sticker	Antidérapant prédécoupé	
6	4	VIS-FHC6X12ZN	Hexagon socket countersunk head screw M6x12	Vis tête fraisée M6x12 six pans creux	
7	1	321482	Bracket footplate left	Equerre gauche de repose pieds	
8	1	322602	Kit bracket foot plate right	Kit équerre droite de repose pieds	
9	1	322603	Kit bracket foot plate left	Kit équerre gauche de repose pieds	
10	1	322593	Kit footplate size 36 cm	Kit palette repose pieds taille 36 cm	L = 280mm
		322594	Kit footplate size 38 cm	Kit palette repose pieds taille 38 cm	L = 300mm
		322595	Kit footplate size 40 cm	Kit palette repose pieds taille 40 cm	L = 320mm
		322596	Kit footplate size 42 cm	Kit palette repose pieds taille 42 cm	L = 340mm
		322597	Kit footplate size 44 cm	Kit palette repose pieds taille 44 cm	L = 360mm
		322598	Kit footplate size 46 cm	Kit palette repose pieds taille 46 cm	L = 380mm

Knee support





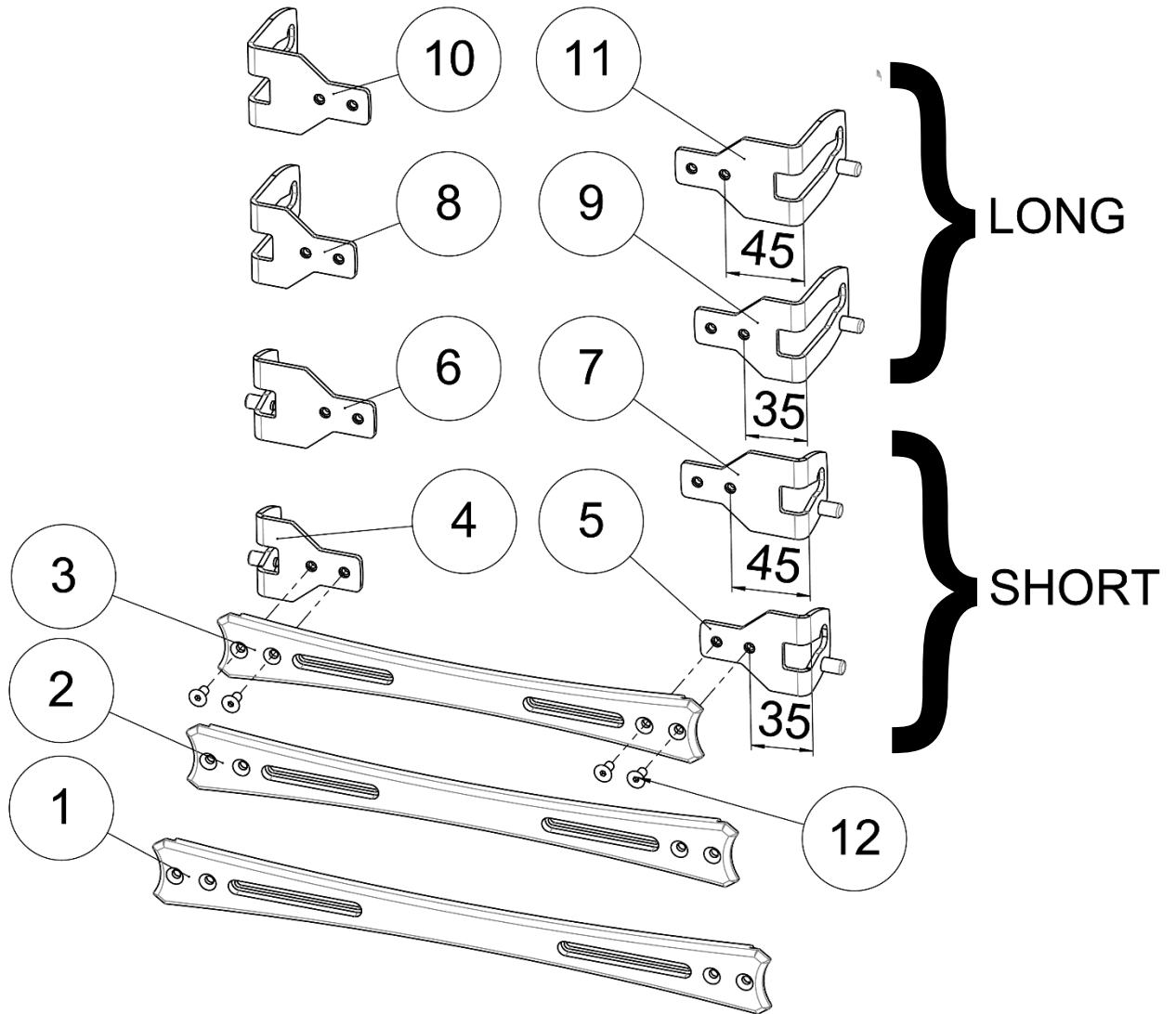
Knee support

Knee support

Pos	Qty	Stock Code	Description En	Description Fr	Remark
1	1		Kneepad brace assembly	Ensemble support genouillères	See exploded view p.62
2	1		Neoprene kneepad	Genouillères néoprène	See exploded view p.64
3	1		Large neoprene kneepad	Genouillères large néoprène	See exploded view p.66
4	1		Polyurethane kneepad	Genouillères polyuréthane	See exploded view p.68

Knee support

Knee pad brace



Knee support

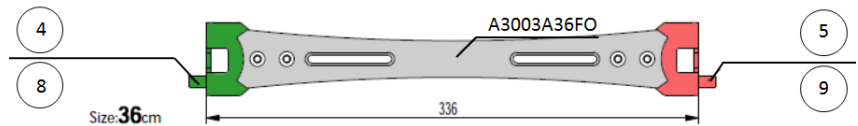
Knee pad brace

Knee pad brace

Pos	Qty	Stock Code	Description En	Description Fr	Remark
1		A3003A44FO	Knee-support size 44-46 cm	Support genouillère taille 44-46 cm	See table below
2	1	A3003A40FO	Knee-support size 40-42 cm	Support genouillère taille 40-42 cm	
3		A3003A36FO	Knee-support size 36-38 cm	Support genouillère taille 36-38 cm	
4	1	A3040RXXFO	Knee-support fitting square right size 36-40-44 cm (short)	Equerre de genouillère droite taille 36-40-44 cm (courte)	
5	1	A3040LXXFO	Knee-support fitting square left size 36-40-44 cm (short)	Equerre de genouillère gauche taille 36-40-44 cm (courte)	
6	1	A3040RLGFO	Knee-support fitting square right size 38-42-46 cm (short)	Equerre de genouillère droite taille 38-42-46 cm (courte)	
7	1	A3040LLGFO	Knee-support fitting square left size 38-42-46 cm (short)	Equerre de genouillère gauche taille 38-42-46 cm (courte)	
8	1	A3041RXXFO	Knee-support fitting square right size 36-40-44 cm (long)	Equerre de genouillère droite taille 36-40-44 cm (longue)	
9	1	A3041LXXFO	Knee-support fitting square left size 36-40-44 cm (long)	Equerre de genouillère gauche taille 36-40-44 cm (longue)	
10	1	A3041RLGFO	Knee-support fitting square right size 38-42-46 cm (long)	Equerre de genouillère droite taille 38-42-46 cm (longue)	
11	1	A3041LLGFO	Knee-support fitting square left size 38-42-46 cm (long)	Equerre de genouillère gauche taille 38-42-46 cm (longue)	
12	4	VIS-FHC5X10ZN	Hexagon socket countersunk head screw M5x10	Vis tête fraisée M5x10 six pans creux	

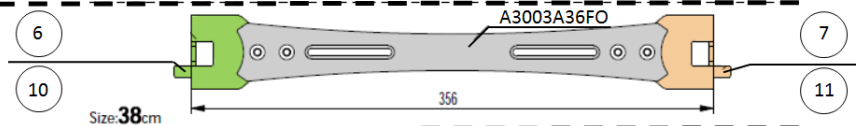
Size 36:

- 3+(4+5) Short
- 3+(8+9) Long



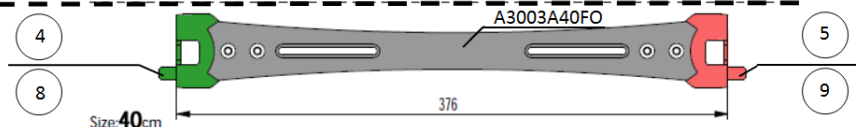
Size 38:

- 3+(6+7) Short
- 3+(10+11) Long



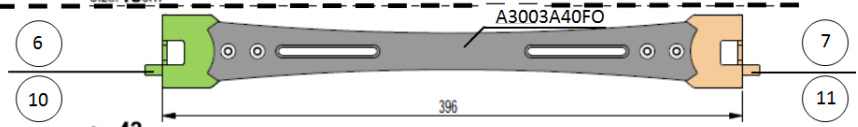
Size 40:

- 2+(4+5) Short
- 2+(8+9) Long



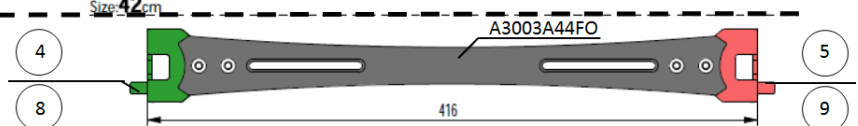
Size 42:

- 2+(6+7) Short
- 2+(10+11) Long



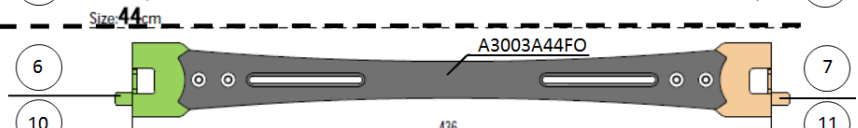
Size 44:

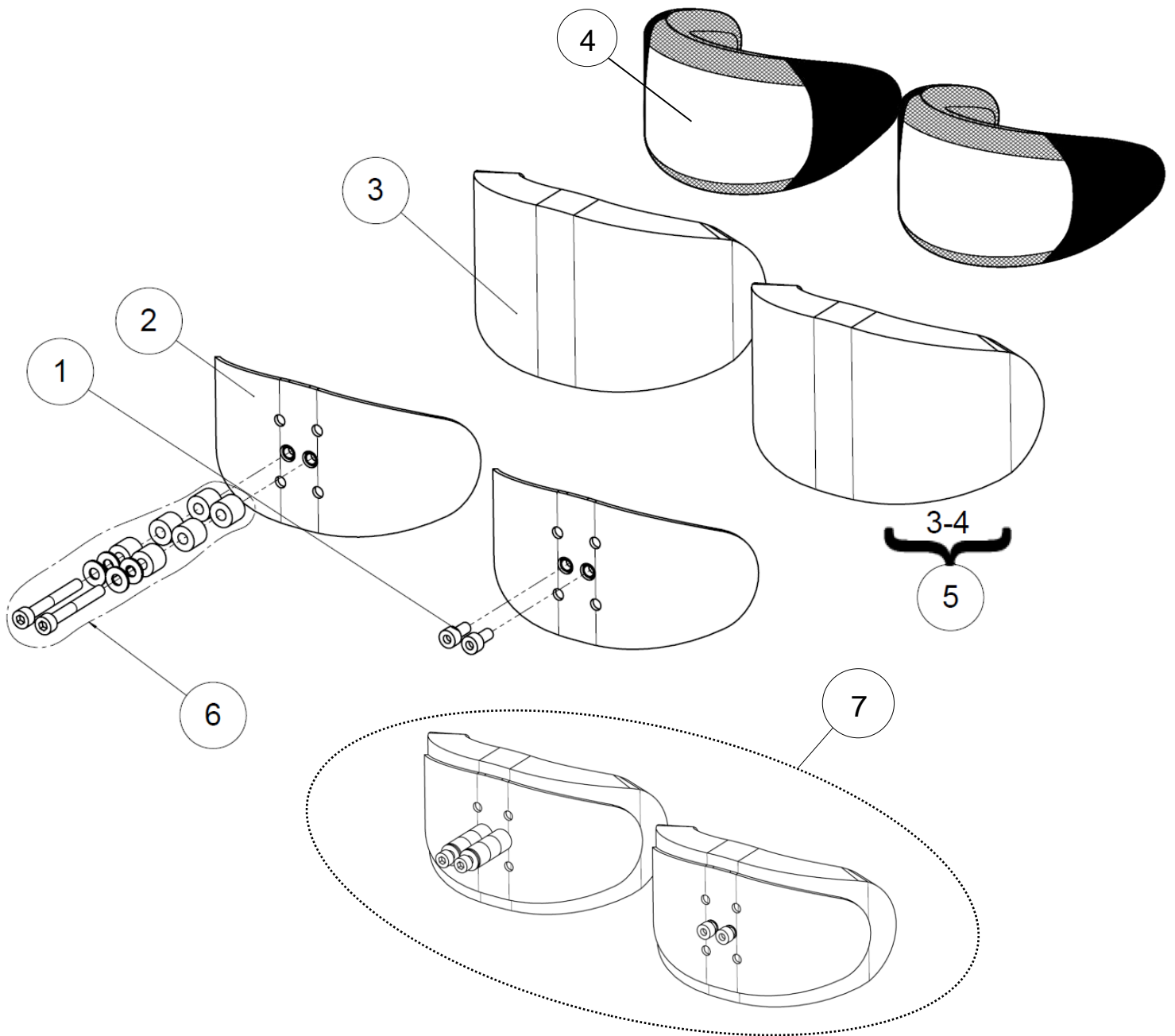
- 1+(4+5) Short
- 1+(8+9) Long





Size 46:

- 1+(6+7) Short
- 1+(10+11) Long



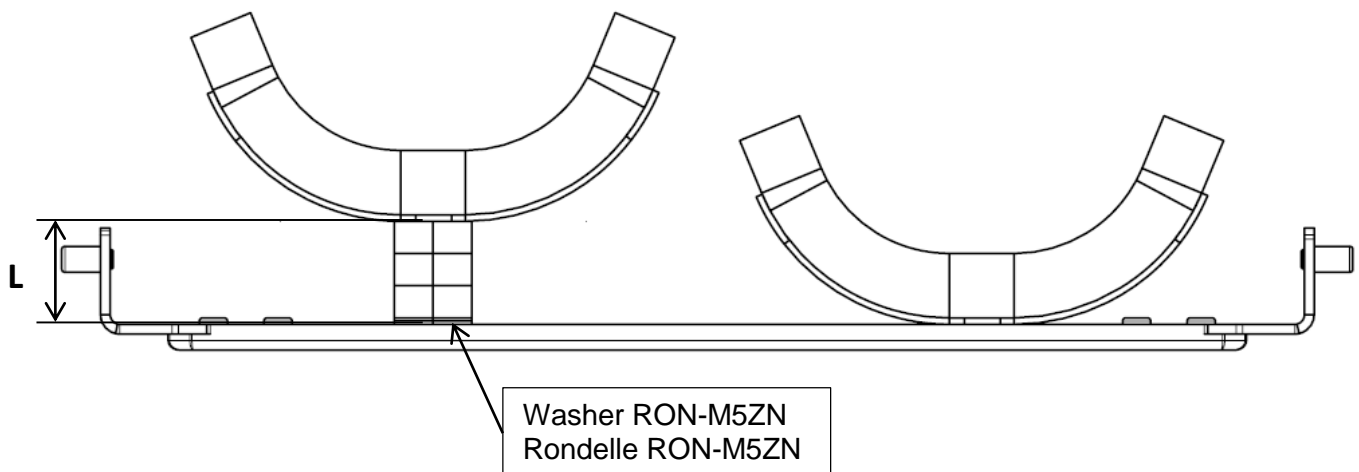


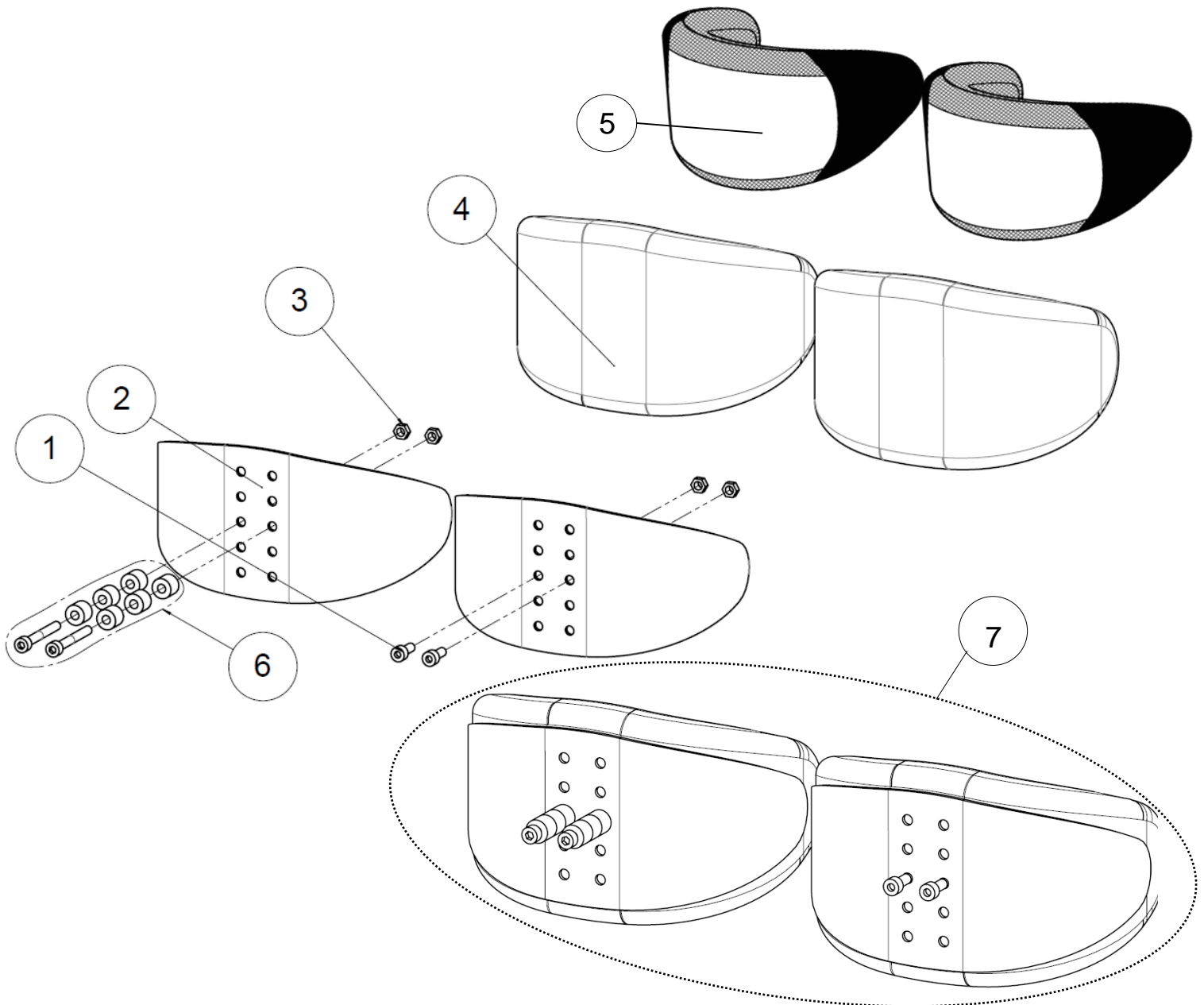
- The kit **322686** included in the kit **A3017XXXFO** contains all screws and spacers for every spacing configurations.

LSA	SPARE PART CATALOG		 
Item N° 322609	Revision B	Date 04/09/2015	Page 65 of 95
Knee support			Neoprene kneepad

Neoprene kneepad					
Pos	Qty	Stock Code	Description Fr	Description En	Remark
1	4	VIS-CHC5X8BR	Hexagon socket head cap screw M5x8	Vis tête cylindrique M5x8 six pans creux	
2	2	A3014XXXAI	Knee-pad brace	Armature de genouillère	
3	2	A3005XXXFO	Knee-support padding	Coussinet genouillère mousse	
4	2	A3015XXXFO	Knee-support cover	Housse de genouillère	
5	2	A3016XXXFO	Kit knee-support cover+padding	Kit mousse+house genouillère	
6	1	322686	Kit spacers kneerest (all types) LSA	Kit entretoises genouillères (tous types) LSA	See table below to determine the number of spacer(s) and the length of screws
7	1	A3017XXXFO	Kit neoprene kneepad (pair)	Kit genouillères néoprène (paire)	

Spacing L (mm) (see picture below)/ Espacement L (mm) (voir schéma ci-dessous)	0	12	22	32
Quantity of spacer(s) 614472 (for 1 kneepad) / Nombre d'entretoise(s) (pour 1 genouillère)	0	2	4	6
Quantity of screws (for 1 kneepad) / Nombre de vis (pour 1 genouillère)	2	2	2	2
Quantity of washer RON-M5ZN (for 1 kneepad) / Nombre de rondelle RON-M5ZN (pour 1 genouillère)	0	4	4	4
References of screws / Références des vis	VIS-CHC5X8BR	VIS-CHC5X20ZN	600686 (CHC 5x30)	VIS-CHC5X40ZN





- The kit **322686** included in the kit **A3019XXXFO** contains all screws and spacers for every spacing configurations.

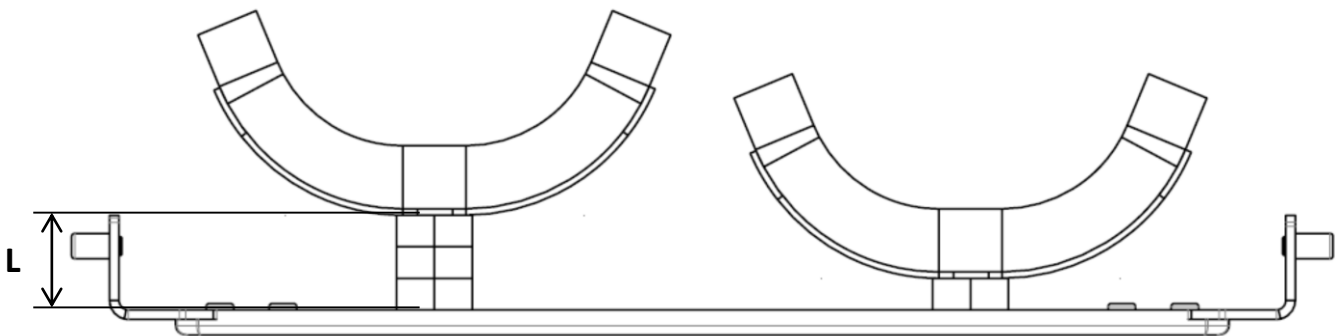
Knee support

Large neoprene kneepad

Large neoprene kneepad

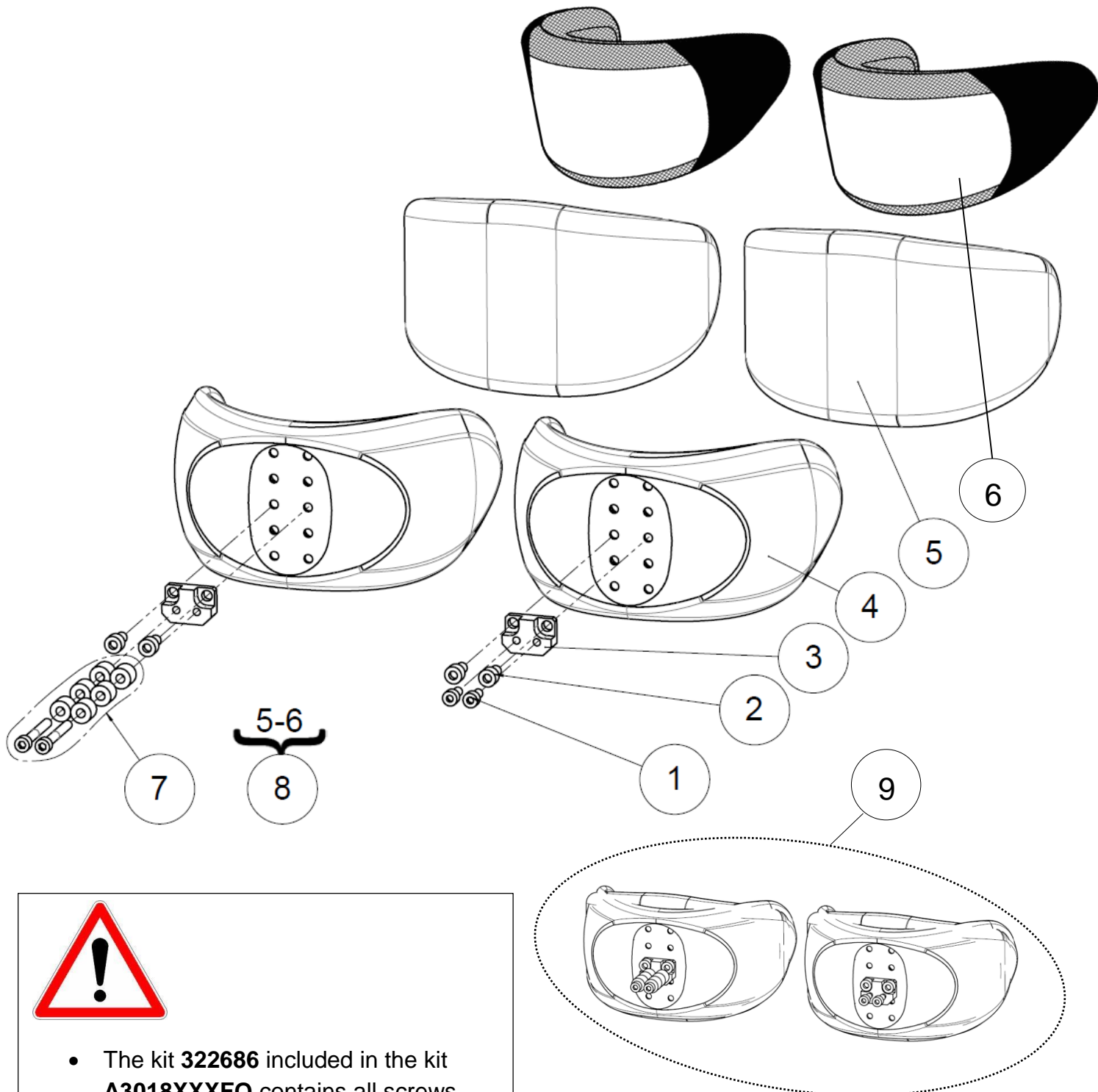
Pos	Qty	Stock Code	Description En	Description Fr	Remark
1	4	VIS-CHC5X12ZN	Hexagon socket head cap screw M5x12	Vis tête cylindrique M5x12 six pans creux	
2	2	L3114XXXAI	Aluminium knee shell	Tôle genouillère	Delivered with scratch
3	4	ECR-HFR5ZN	Prevailing torque type hexagon nut M5	Ecrou frein M5	
4	2	L3017XXXFO	Foam for confort kneepad	Coussinet confort genouillère	
5	2	L3116XXXFO	Cover for confort kneepad	Housse genouillère velcro	
6	1	322686	Kit spacers kneerest (all types) LSA	Kit entretoises genouillères (tous types) LSA	See table below to determine the number of spacer(s) and the length of screws
7	1	A3019XXXFO	Kit large neoprene kneepad (pair)	Kit genouillères larges néoprène (paire)	

Spacing L (mm) (see picture below)/ Espacement L (mm) (voir schéma ci-dessous)	0	10	20	30
Quantity of spacer(s) 614472 (for 1 kneepad) / Nombre d'entretoise(s) (pour 1 genouillère)	0	2	4	6
Quantity of screws (for 1 kneepad) / Nombre de vis (pour 1 genouillère)	2	2	2	2
References of screws / Références des vis	VIS-CHC5X12ZN	VIS-CHC5X20ZN	600686 (CHC 5x30)	VIS-CHC5X40ZN



Knee support

Polyurethane kneepad



- The kit **322686** included in the kit **A3018XXXFO** contains all screws and spacers for every spacing configurations.

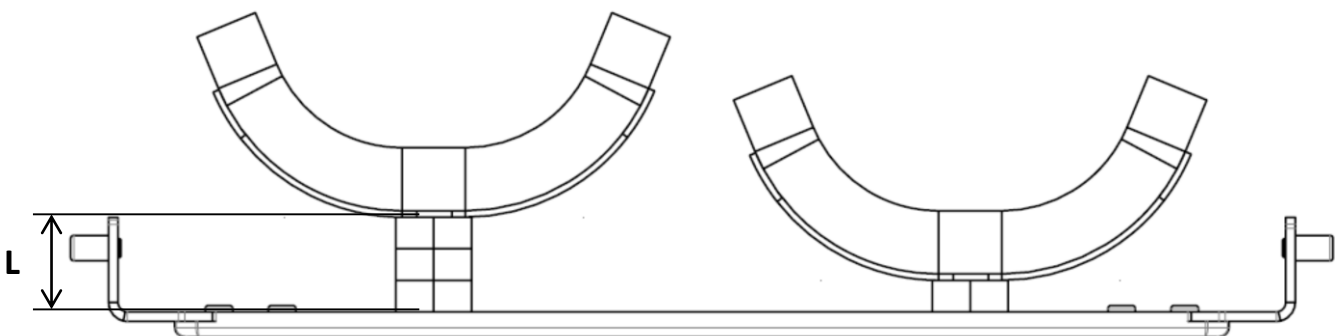
Knee support

Polyurethane kneepad

Polyurethane kneepad

Pos	Qty	Stock Code	Description En	Description Fr	Remark
1	4	VIS-CHC5X10ZN	Hexagon socket head cap screw M5x10	Vis tête cylindrique M5x10 six pans creux	
2	4	VIS-CHC6X10ZN	Hexagon socket head cap screw M6x10	Vis tête cylindrique M6x10 six pans creux	
3	2	A3042XXXFO	Polyurethane kneerest mount	Fixation genouillère polyuréthane	
4	2	L3111XXXFO	Polyurethane knee-support	Genouillère polyuréthane surmoulée	
5	2	L3017XXXFO	Foam for confort kneepad	Coussinet confort genouillère	
6	2	L3016XXXFO	Cover for confort kneepad	Housse genouillère confort	
7	1	322686	Kit spacers kneerest (all types) LSA	Kit entretoises genouillères (tous types) LSA	See table below to determine the number of spacer(s) and the length of screws
8	2	L3013ITTFO	Kit confort kneepad + cover (unit)	Kit housse et coussinet confort (l'unité)	
9	1	A3018XXXFO	Kit polyurethane kneepad (pair)	Kit genouillères polyuréthane (paire)	

Spacing L (mm) (see picture below) / <i>Espacement L (mm) (voir schéma ci-dessous)</i>	0	10	20	30
Quantity of spacer(s) 614472 (for 1 kneepad) / <i>Nombre d'entretoise(s) (pour 1 genouillère)</i>	0	2	4	6
Quantity of screws (for 1 kneepad) / <i>Nombre de vis (pour 1 genouillère)</i>	2	2	2	2
References of screws / <i>Références des vis</i>	VIS-CHC5X10ZN	VIS-CHC5X20ZN	600686 (CHC 5x30)	VIS-CHC5X40ZN



LSA

SPARE PART CATALOG



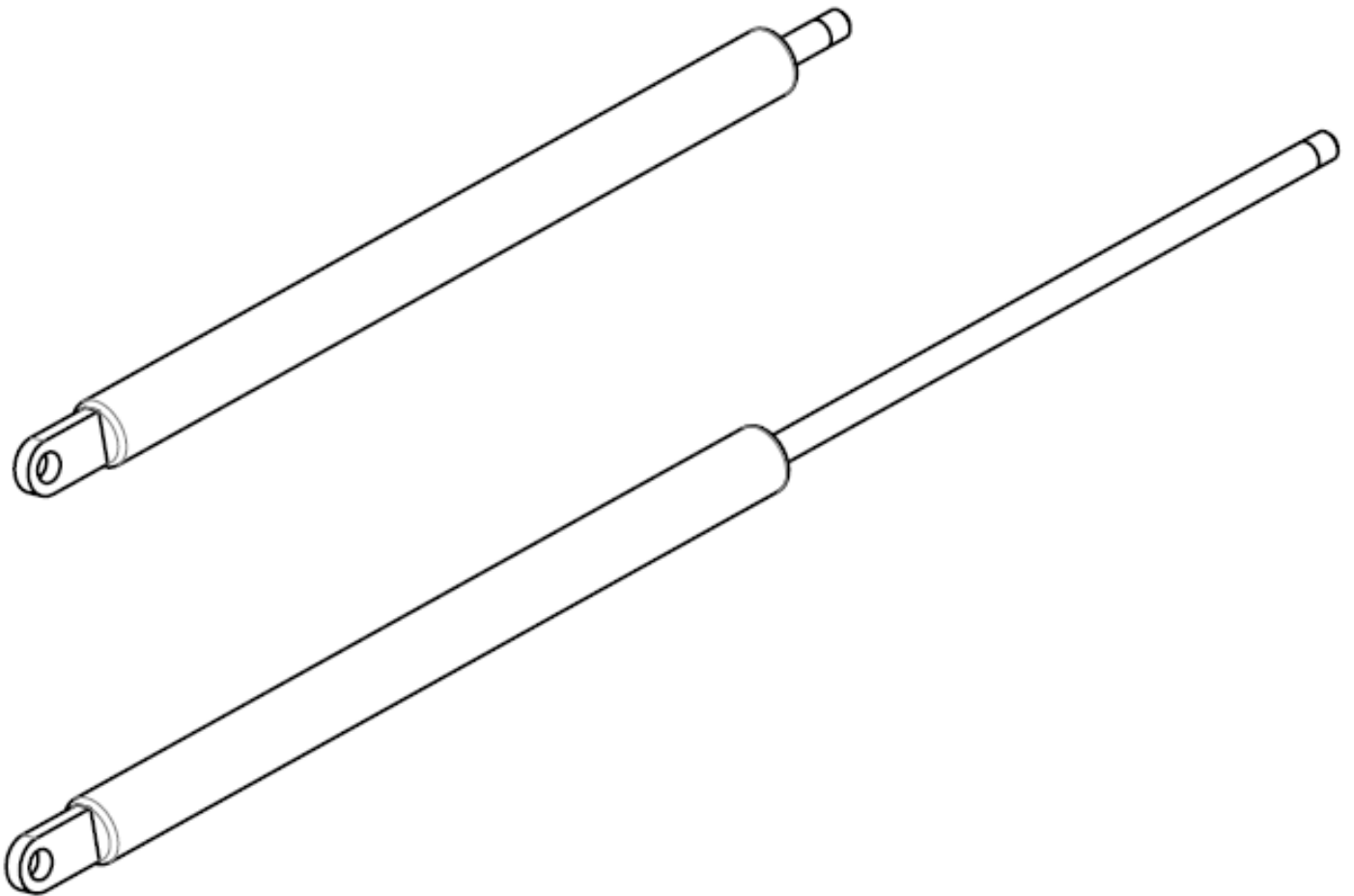
Item N° 322609

Revision B

Date 04/09/2015

Page 70 of 95

Gas strut



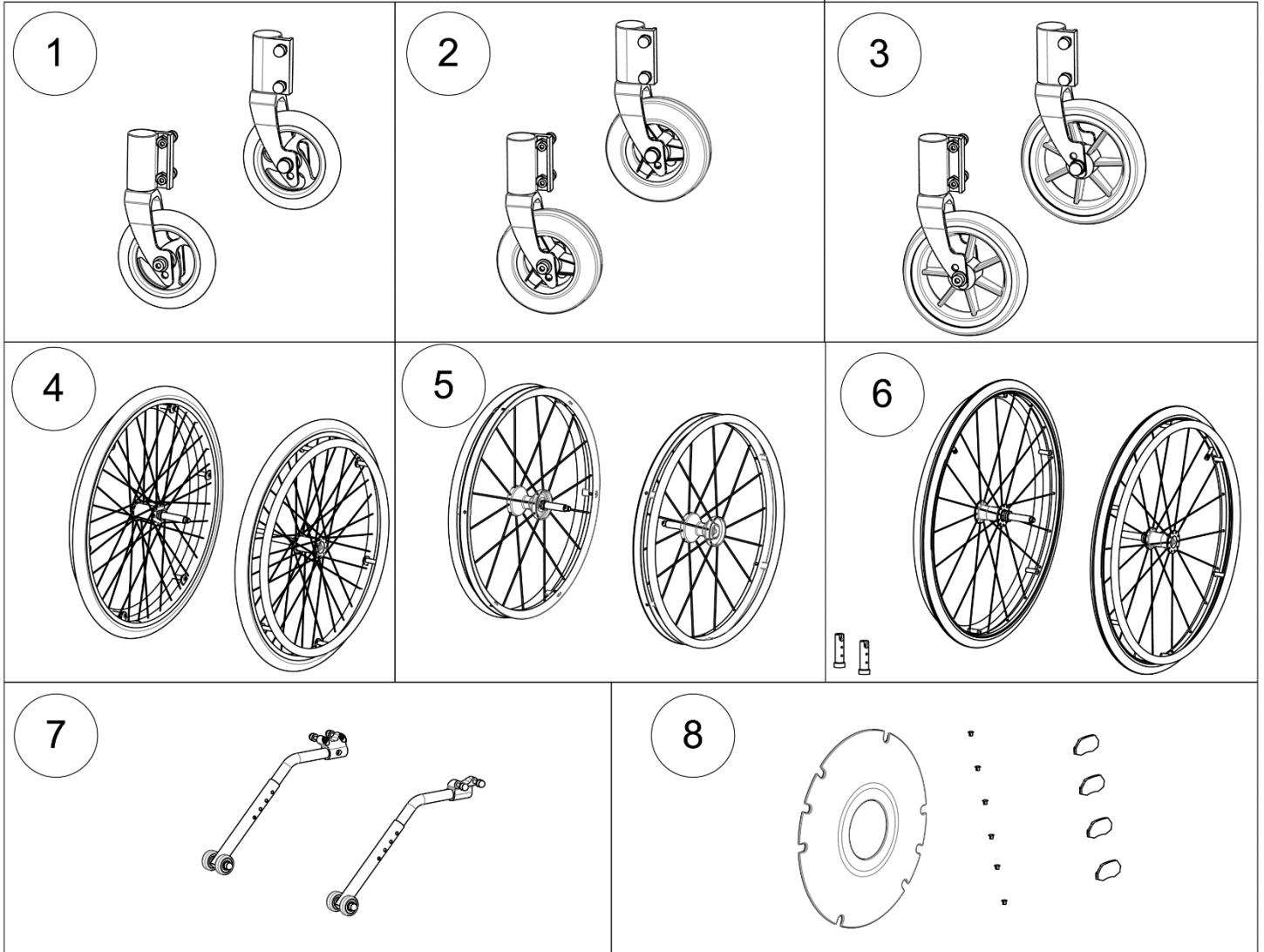


Gas strut

Gas strut

Pos	Qty	Stock Code	Description En	Description Fr	Remark
1	2	A8200XXXFO	Gas strut Liftline 200N	Vérin Liftline 200N	To make 250N : use 1x 200N and 1x 300N
2		A8300XXXFO	Gas strut Liftline 300N	Vérin Liftline 300N	To make 350N : use 1x 300N and 1x 400N
3		A8400XXXFO	Gas strut Liftline 400N	Vérin Liftline 400N	To make 450N : use 1x 400N and 1x 500N
4		A8500XXXFO	Gas strut Liftline 500N	Vérin Liftline 500N	To make 550N : use 1x 500N and 1x 600N
5		A8600XXXFO	Gas strut Liftline 600N	Vérin Liftline 600N	To make 650N : use 1x 600N and 1x 700N
6		A8700XXXFO	Gas strut Liftline 700N	Vérin Liftline 700N	To make 750N : use 1x 700N and 1x 800N
7		A8800XXXFO	Gas strut Liftline 800N	Vérin Liftline 800N	

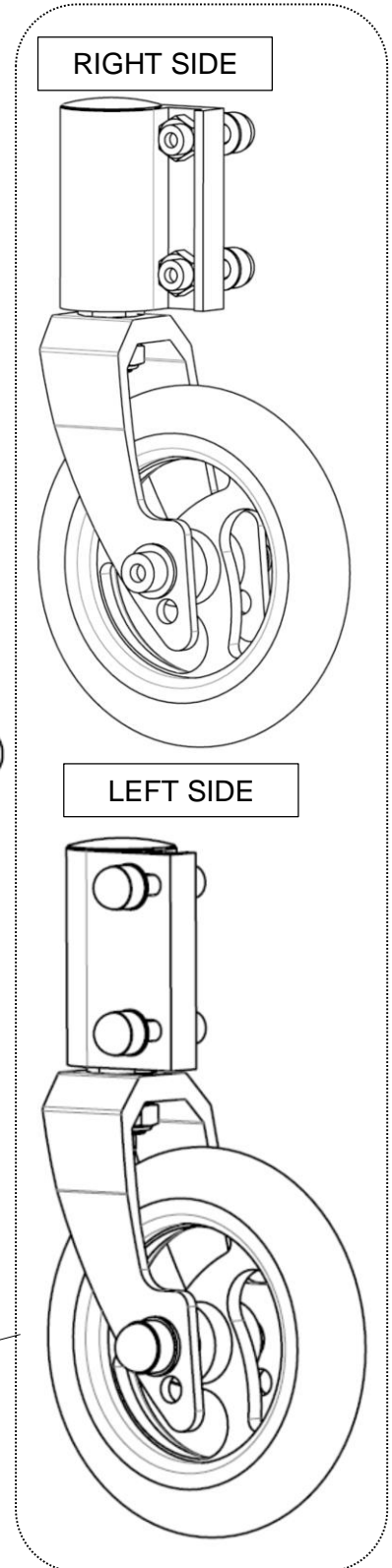
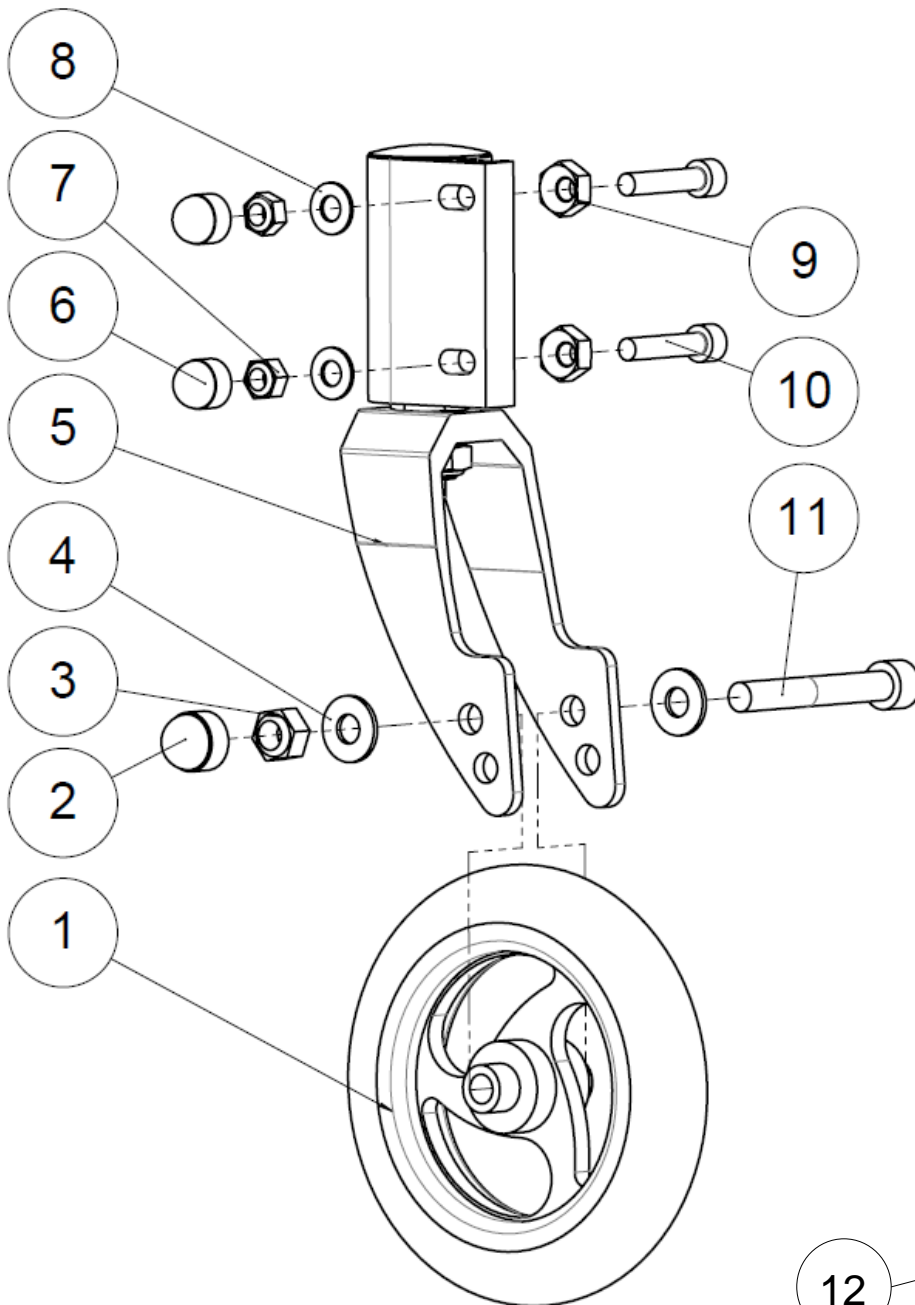
Wheels



Wheels

Wheels

Pos	Qty	Stock Code	Description En	Description Fr	Remark
1	1		Front wheels 5''	Roues avant 5''	See exploded view p.74
2	1		Front wheels 5'' soft roller	Roues avant 5'' soft roller	See exploded view p.76
3	1		Front wheels 6''	Roues avant 6''	See exploded view p.78
4	1		Rear wheels 24''	Roue arrière 24''	See exploded view p.80
5	1		Rear wheels 24'' Spinergy	Roue arrière 24'' Spinergy	See exploded view p.84
6	1		Rear wheels 26''	Roue arrière 26''	See exploded view p.86
7	1		Anti-tipper wheels	Roulettes anti-bascule	See exploded view p.88
8	1		Rear wheels accessories	Accessoires roues arrières	See exploded view p.90



Wheels

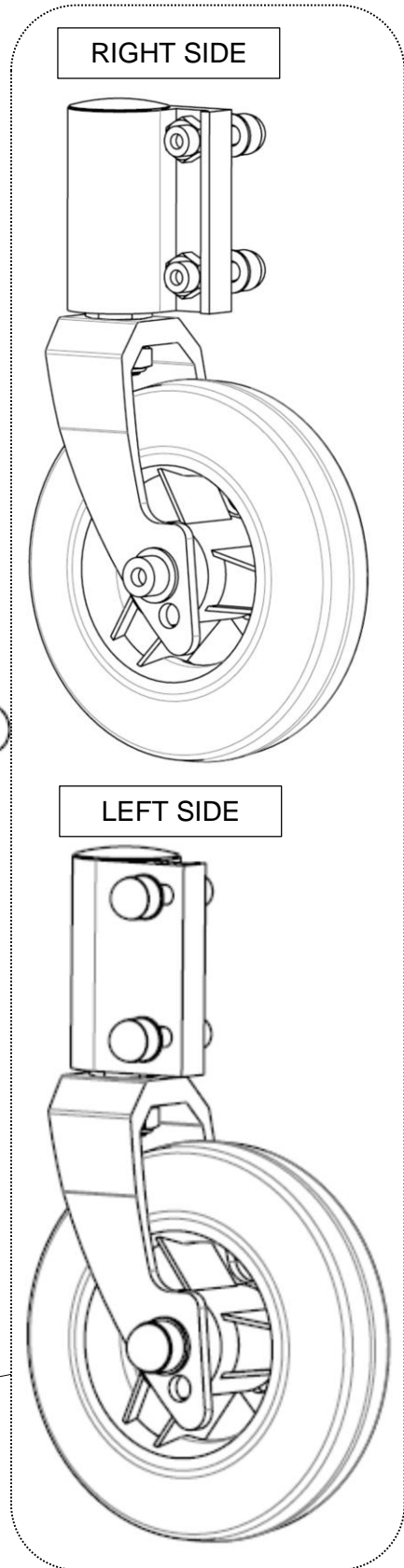
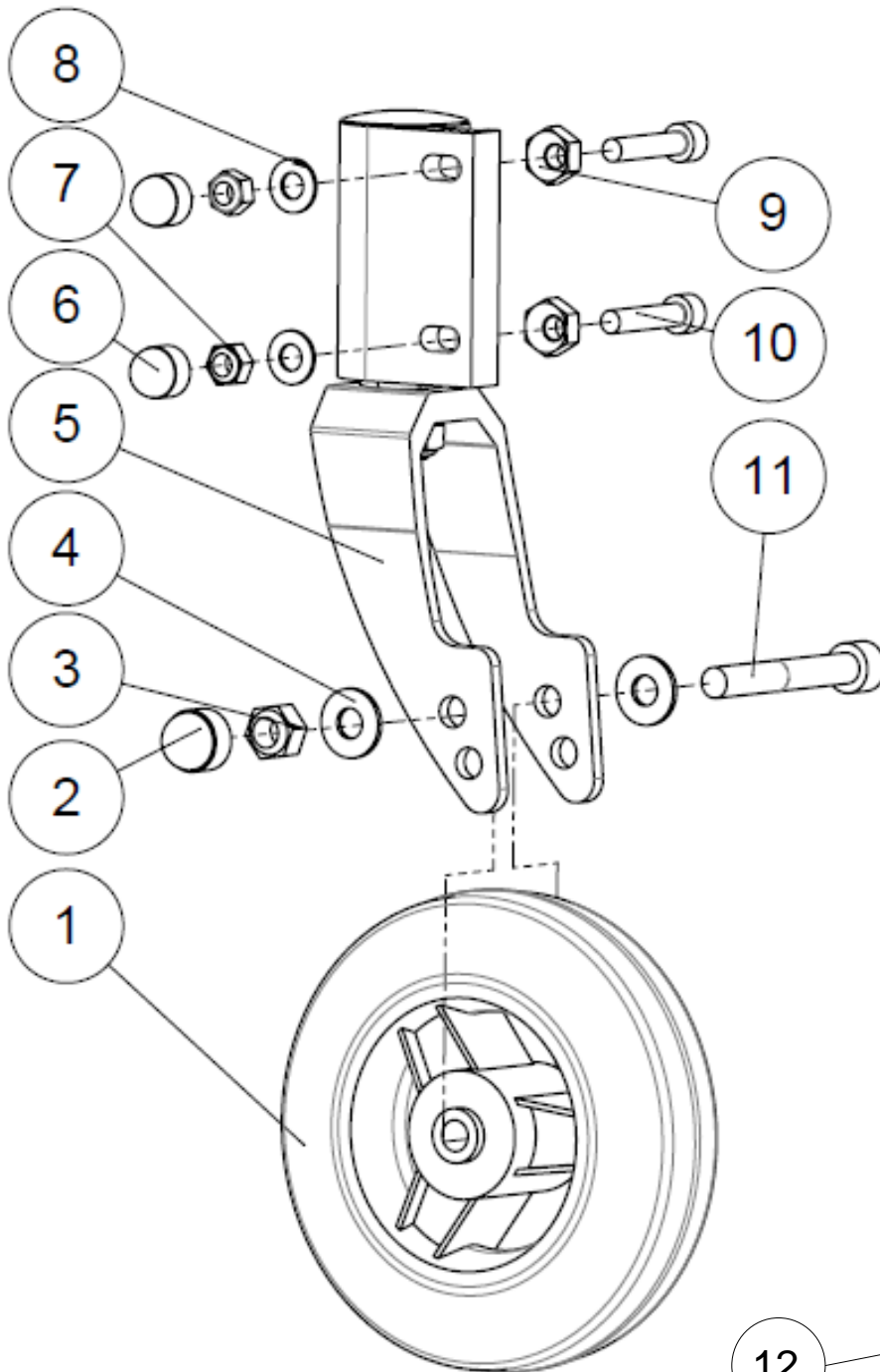
Front wheels 5''

Front wheels 5''

Pos	Qty	Stock Code	Description En	Description Fr	Remark
1	2	A7011SXXFO	Front wheel 5'' (pair)	Roue avant 5'' (paire)	
2	2	C0214XXXFO	Nut cap M8	Cache écrou M8	
3	2	ECR-HFR8ZN	Prevailing torque type hexagon nut M8	Ecrou frein M8	
4	4	RON-M8ZN	Plain washer Ø8	Rondelle plate M Ø8	
5	1	A7013LXXFO	Left castor mount assembly	Pivot avant gauche + fourche	
	1	A7013RXXFO	Right castor mount assembly	Pivot avant droit + fourche	
6	4	C0215XXXFO	Nut cap M6	Cache écrou M6	
7	4	ECR-HFR6ZN	Prevailing torque type hexagon nut M6	Ecrou frein M6	
8	4	RON-M6ZN	Plain washer Ø6	Rondelle plate M Ø6	
9	4	L7007XXXFO	Flat excentric hexagonal nut	Ecrou excentrique hexagonal plat	
10	4	VIS-CHC6X30ZN	Hexagon socket head cap screw M6x30	Vis tête cylindrique M6x30 six pans creux	
11	2	VIS-CHC8X60ZN	Hexagon socket head cap screw M8x60	Vis tête cylindrique M8x60 six pans creux	
12	1	A7008XXXFO	Kit front wheels 5'' (pair)	Kit roues avant 5'' (paire)	

Wheels

Front wheels 5" soft roller



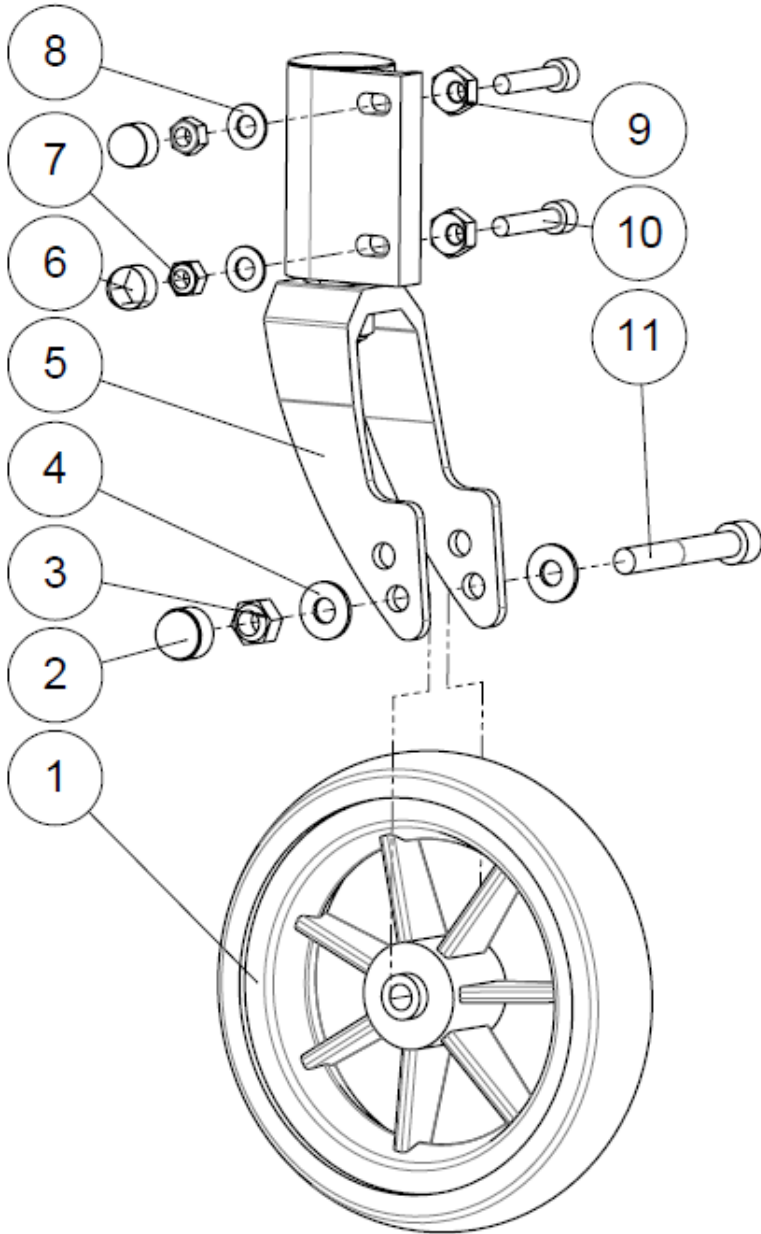
12

Wheels

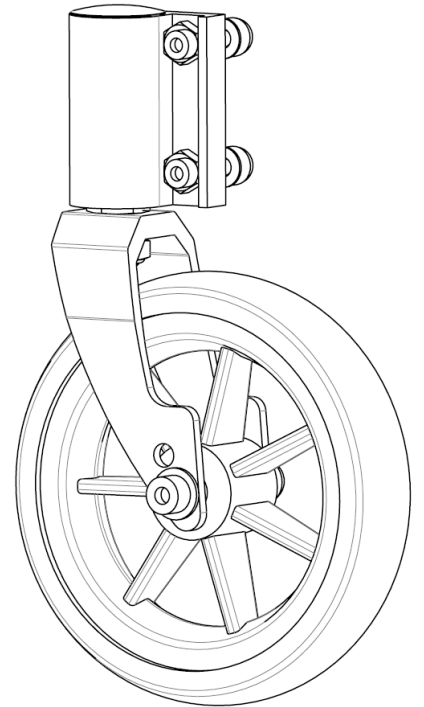
Front wheels 5" soft roller

Front wheels 5" soft roller

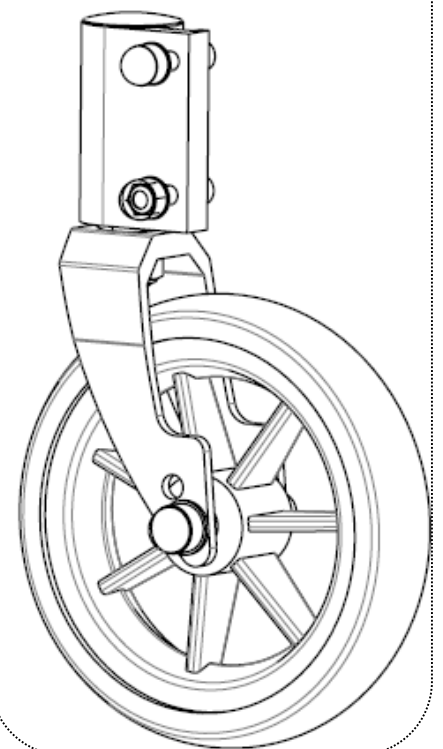
Pos	Qty	Stock Code	Description En	Description Fr	Remark
1	2	A7013XXXFO	Front wheel 5" soft roller (wheel only)	Roue avant 5"soft roller (roue seule)	
2	2	C0214XXXFO	Nut cap M8	Cache écrou M8	
3	2	ECR-HFR8ZN	Prevailing torque type hexagon nut M8	Ecrou frein M8	
4	4	RON-M8ZN	Plain washer Ø8	Rondelle plate M Ø8	
5	1	A7013LXXFO	Left castor mount assembly	Pivot avant gauche + fourche	
	1	A7013RXXFO	Right castor mount assembly	Pivot avant droit + fourche	
6	4	C0215XXXFO	Nut cap M6	Cache écrou M6	
7	4	ECR-HFR6ZN	Prevailing torque type hexagon nut M6	Ecrou frein M6	
8	4	RON-M6ZN	Plain washer Ø6	Rondelle plate M Ø6	
9	4	L7007XXXFO	Flat excentric hexagonal nut	Ecrou excentrique hexagonal plat	
10	4	VIS-CHC6X30ZN	Hexagon socket head cap screw M6x30	Vis tête cylindrique M6x30 six pans creux	
11	2	VIS-CHC8X60ZN	Hexagon socket head cap screw M8x60	Vis tête cylindrique M8x60 six pans creux	
12	1	A7009XXXFO	Kit front wheels 5" soft roller (pair)	Kit roues avant 5" soft roller (paire)	



RIGHT SIDE



LEFT SIDE



12



If used with 24" rear wheel:

- Kit footrest extension (pair) : 322607 (See page 86)

Wheels

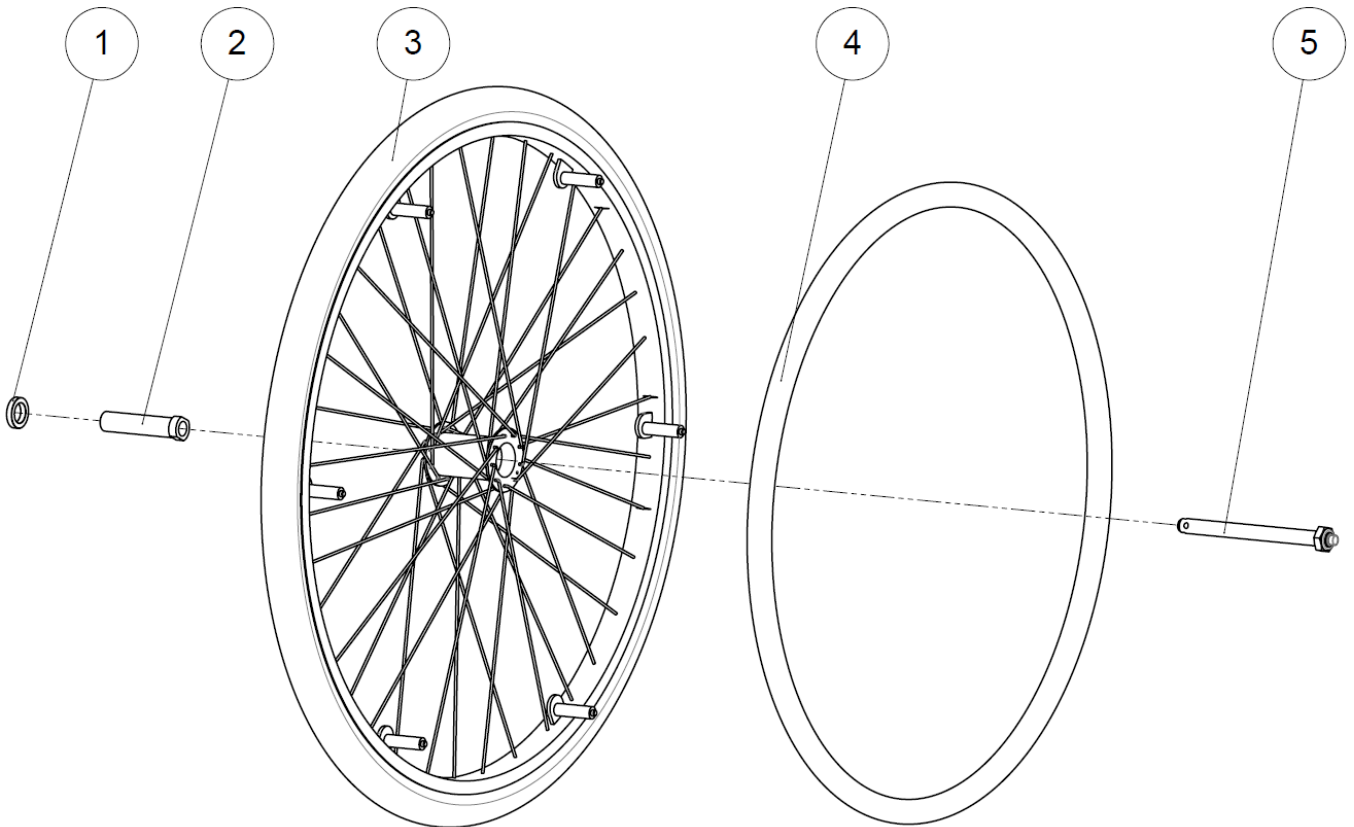
Front wheels 6"

Front wheels 6"

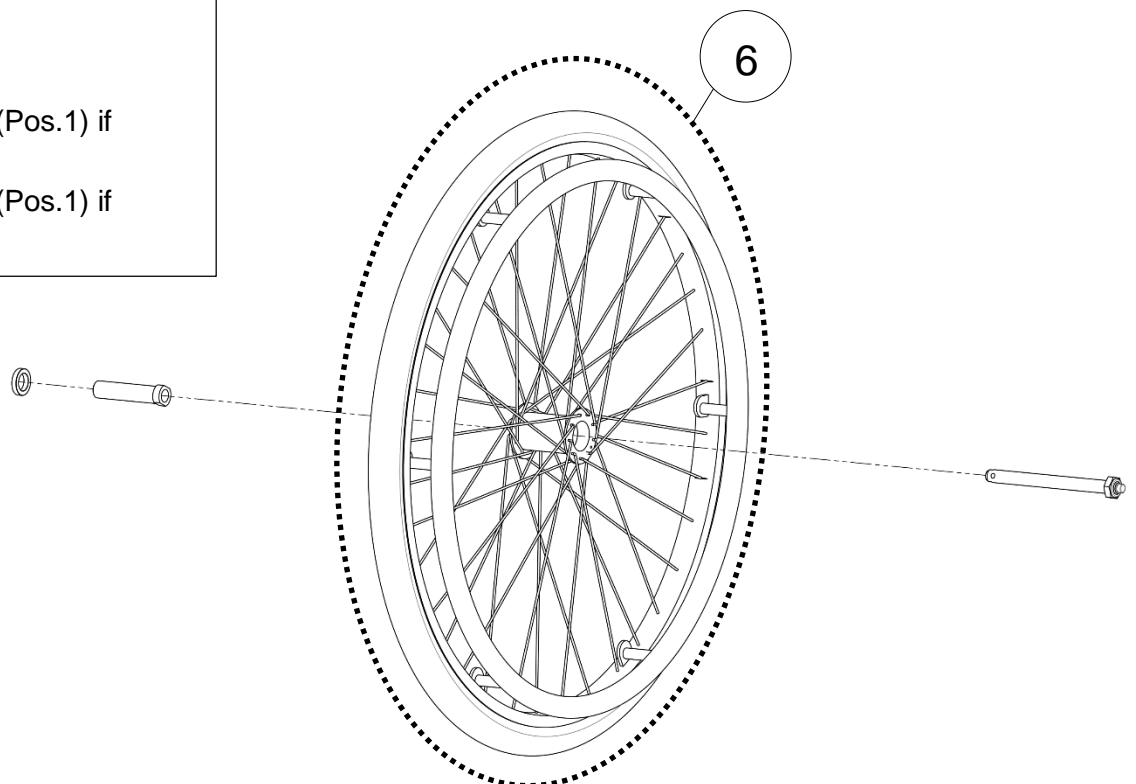
Pos	Qty	Stock Code	Description En	Description Fr	Remark
1	2	A7150BANFO	Front wheel 6" castor (wheel only)	Roue avant 6" (roue seule)	
2	2	C0214XXXFO	Nut cap M8	Cache écrou M8	
3	2	ECR-HFR8ZN	Prevailing torque type hexagon nut M8	Ecrou frein M8	
4	4	RON-M8ZN	Plain washer Ø8	Rondelle plate M Ø8	
5	1	A7013LXXFO	Left castor mount assembly	Pivot avant gauche + fourche	
	1	A7013RXXFO	Right castor mount assembly	Pivot avant droit + fourche	
6	4	C0215XXXFO	Nut cap M6	Cache écrou M6	
7	4	ECR-HFR6ZN	Prevailing torque type hexagon nut M6	Ecrou frein M6	
8	4	RON-M6ZN	Plain washer Ø6	Rondelle plate M Ø6	
9	4	L7007XXXFO	Flat excentric hexagonal nut	Ecrou excentrique hexagonal plat	
10	4	VIS-CHC6X30ZN	Hexagon socket head cap screw M6x30	Vis tête cylindrique M6x30 six pans creux	
11	2	VIS-CHC8X60ZN	Hexagon socket head cap screw M8x60	Vis tête cylindrique M8x60 six pans creux	
12	1	322606	Kit front wheels 6" (pair)	Kit roues avant 6" (paire)	

Wheels

Rear wheel 24"



- 1x A7001XXXFO (Pos.1) if camber 3°
- 2x A7001XXXFO (Pos.1) if camber 0°





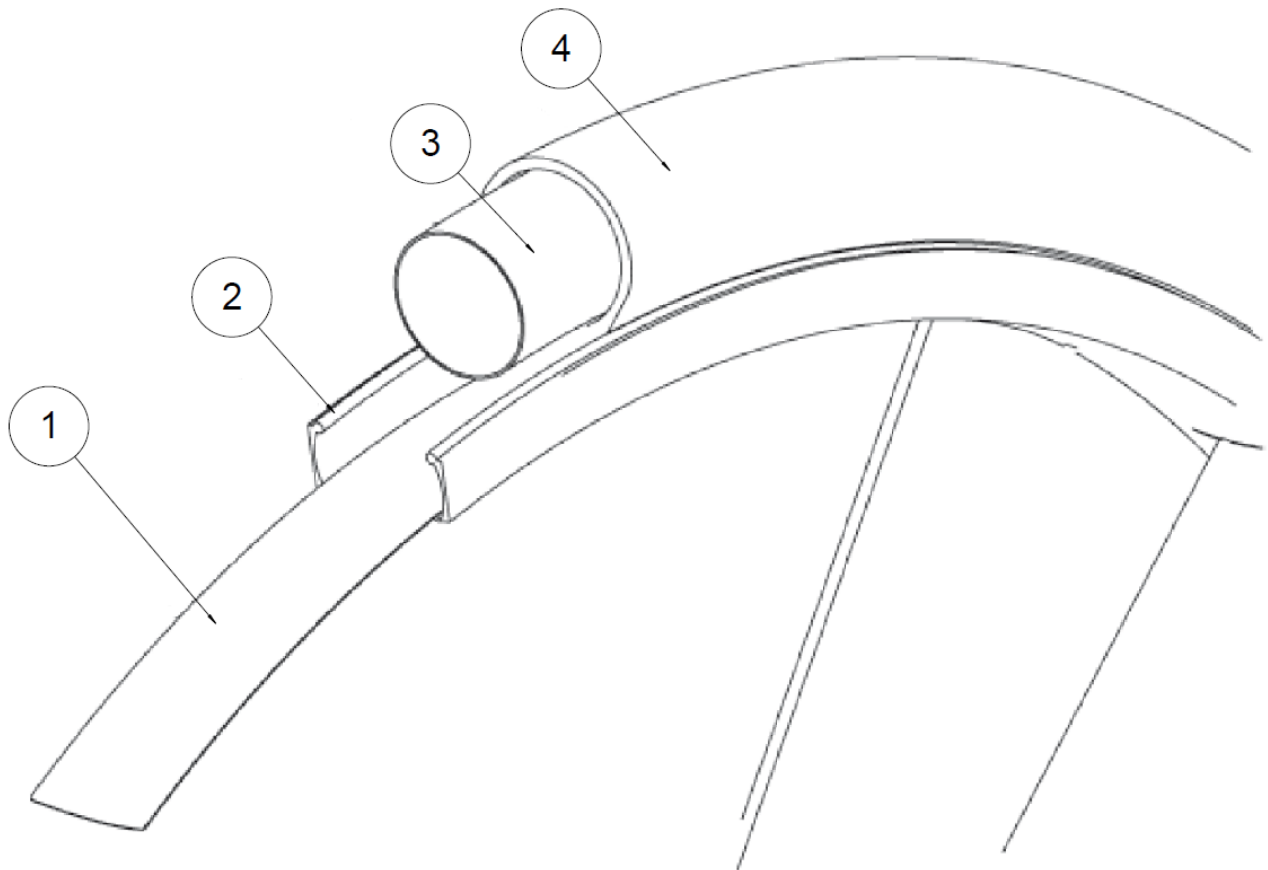
Wheels

Rear wheel 24''

Rear wheel 24''

Pos	Qty	Stock Code	Description En	Description Fr	Remark
1	1-2	A7001XXXFO	Rear wheel wedging washer	Rondelle de calage roue arrière	1x→3° / 2x→0° camber
2	1	L7005XLSFO	Long sleeve Ø12	Palier roue Ø12	
3	1		Lifestand wheel 24 ''	Roue Lifestand 24''	See exploded view p.82
4	1	L7006XXXFO	Handrim 24" anodized clear	Main courante 24'' anodisé incolore	Not compatible with Spinerge wheels
		L7006CHRFO	Handrim 24" chromed	Main courante 24'' chromée	Not compatible with Spinerge wheels
		L7006PVCFO	Handrim 24" smooth silicone cover	Main courante 24'' PVC noir	Not compatible with Spinerge wheels
5	1	L7002XXXFO	Quick release axle long + nut M12	Axe QR long + écrou M12	
6	1	L7602HPRFO	Complete wheel 24'' anod. clear handrim + HP tire	Roue complète 24''+pneu HP	

LSA	SPARE PART CATALOG		 
Item N° 322609	Revision B	Date 04/09/2015	Page 82 of 95
Wheels			Lifestand wheel 24"





Wheels

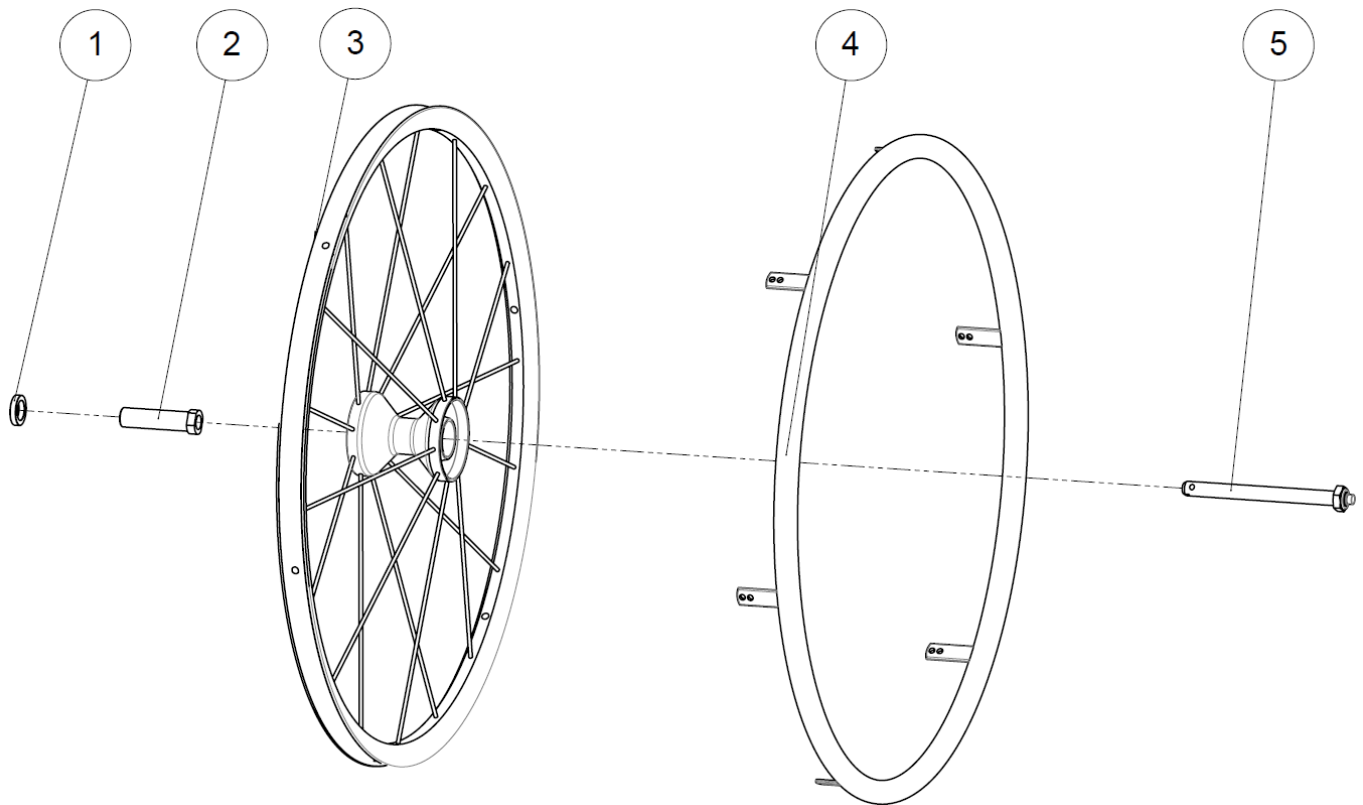
Lifestand wheel 24"

Lifestand wheel 24"

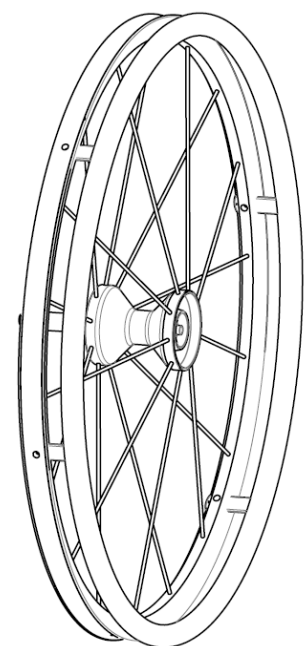
Pos	Qty	Stock Code	Description En	Description Fr	Remark
1	1	L7611FJXFO	Inside rim protection for rim 24"	Fond de jante pour jante 24"	
2	1	L7012XXXFO	Wheelrim 24" without handrim	Jante 24" sans main courante	
3	1	L7611HPRFO	Tube high pressure for tire 24"	Chambre à air HP pour pneu 24"	
		L7611STDFO	Tube standard for tire 24"	Chambre à air standard pour pneu 24"	
4	1	L7601HPRFO	High pressure tire 24"	Pneu 24" HP	
		L7601MARFO	Tire 24" marathon evolution	Pneu 24" marathon évolution	
		L7601STDFO	Standard tire 24"	Pneu 24" standard	
		N-BA600100L	Flat free tire 24"x 1" glossy finish	Bandage 24"x 1" lisse	
		N-BA600138L	Flat free tire 24"x 1"3/8 glossy finish	Bandage 24"x 1"3/8 lisse	NOT COMPATIBLE WITH SPINERGY WHEELS
		N-BA600138C	Soly poly 24"x 1"3/8	Bandage 24"x 1"3/8 cranté	NOT COMPATIBLE WITH SPINERGY WHEELS

Wheels

Rear wheel 24" Spinergy



- 1x A7001XXXFO (Pos.1) if camber 3°
- 2x A7001XXXFO (Pos.1) if camber 0°



Wheels

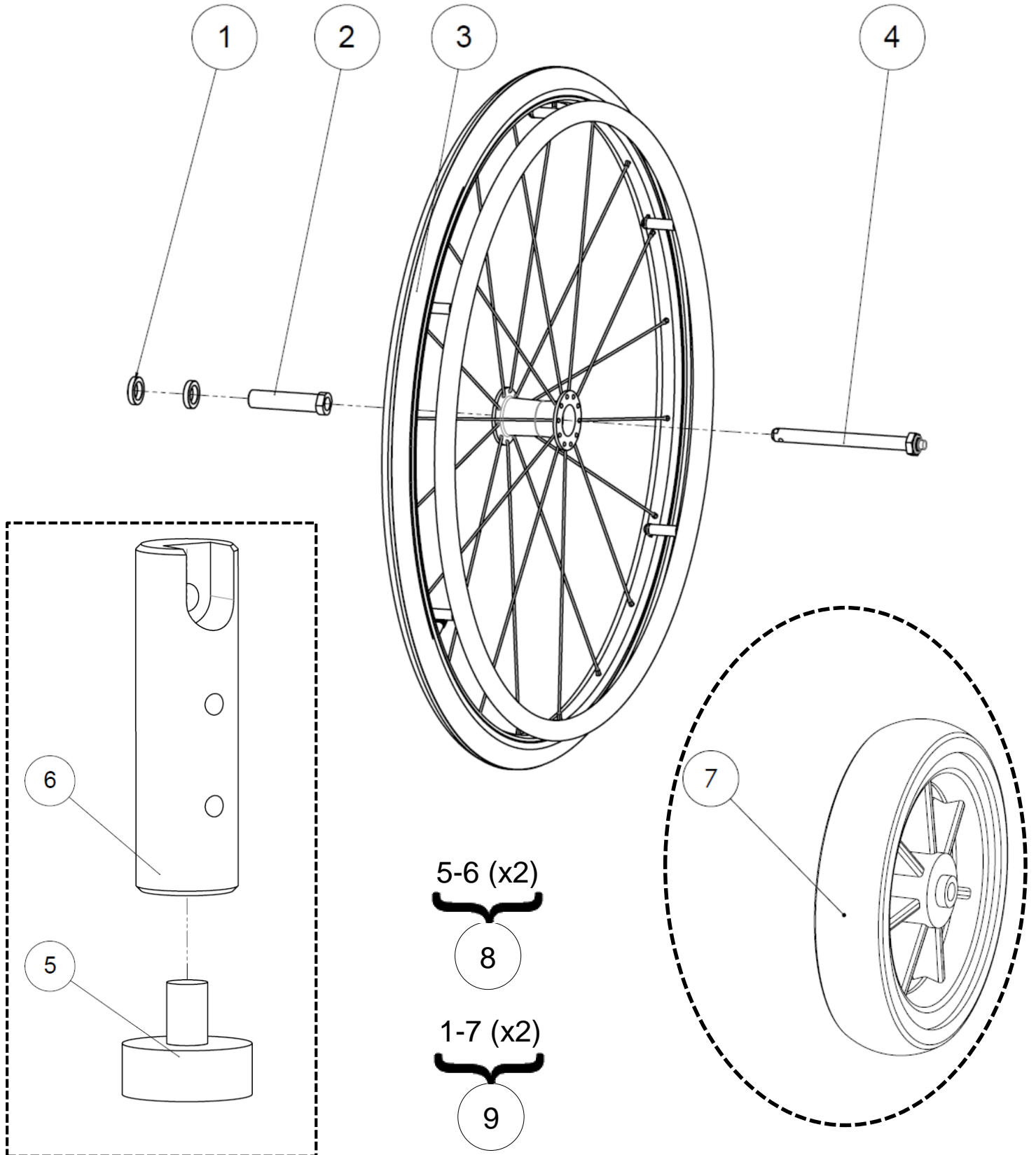
Rear wheel 24" Spinerger

Rear wheel 24" Spinerger

Pos	Qty	Stock Code	Description En	Description Fr	Remark
1	1-2	A7001XXXFO	Rear wheel wedging washer	Rondelle de calage roue arrière	1x→3° / 2x→0° camber
2	1	L7005XXXFO	Bearing + nut for spinerger	Palier court 67mm	Only for Spinerger wheels
3	1	A7600ROUFO	Spinerger rim red spokes	Jante Spinerger rayons rouges	
		A7600BLEFO	Spinerger rim blue spokes	Jante Spinerger rayons bleus	
		A7600WHIFO	Spinerger rim white spokes	Jante Spinerger rayons blancs	
		A7600NOIFO	Spinerger rim black spokes	Jante Spinerger rayons noirs	
4	1	A7006XXXFO	Anodized push rim - black	Main courante anodisée noire	Only for Spinerger wheels
		A7006PVCFO	Rubber coated push rim 24" black	Main courante 24" PVC noir	
5	1	L7002XXXFO	Quick release axle long + nut M12	Axe QR long + écrou M12	

Wheels

Rear wheel 26"




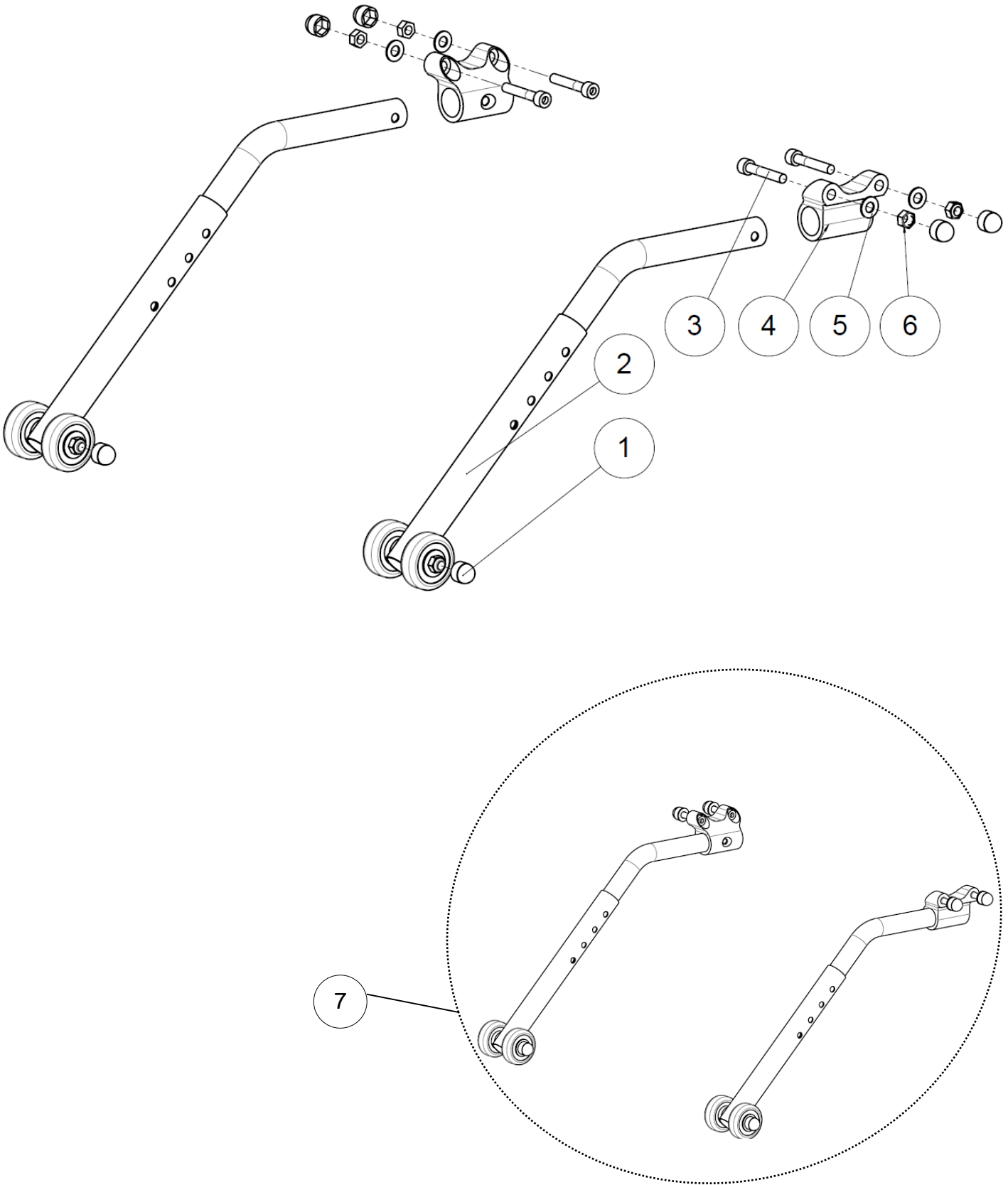
Wheels

Rear wheel 26"

Rear wheel 26"

Pos	Qty	Stock Code	Description En	Description Fr	Remark
1	2	A7001XXXFO	Rear wheel wedging washer	Rondelle de calage roue arrière	
2	1	L7005XLSFO	Long sleeve Ø12	Palier roue Ø12	
3	1	A7650X02FO	Complete wheel 26" anodized clear handrim + HP tire	Roue Ø26" complète + main courante anodisée incolore + pneu HP	Can be mounted only if wheelchair is equipped with footrest extensions (322607) and 6" front wheel (A7150BANFO)
4	1	L7002XXXFO	Quick release axle long + nut M12	Axe QR long + écrou M12	
5	1	C1007XXXFO	Shock absorber 10mm	Amortisseur 10mm	
6	1	A7650X01AI	Footrest extension	Rallonge repose pieds	
7	1	A7150BANFO	Front wheel 6" castor (wheel only)	Roue avant 6" (roue seule)	
8	0.5	322607	Kit footrest extension (pair)	Kit extension tube jambier (paire)	
9	0.5	A7650XXXFO	Kit rear wheels 26" + footrest extension + front wheel 6" (pair)	Kit roues arrières 26" + rallonge repose pieds + roue avant 6" (paire)	

LSA	SPARE PART CATALOG		
Item N° 322609	Revision B	Date 04/09/2015	Page 88 of 95
Wheels		Anti-tipper wheels	



Wheels

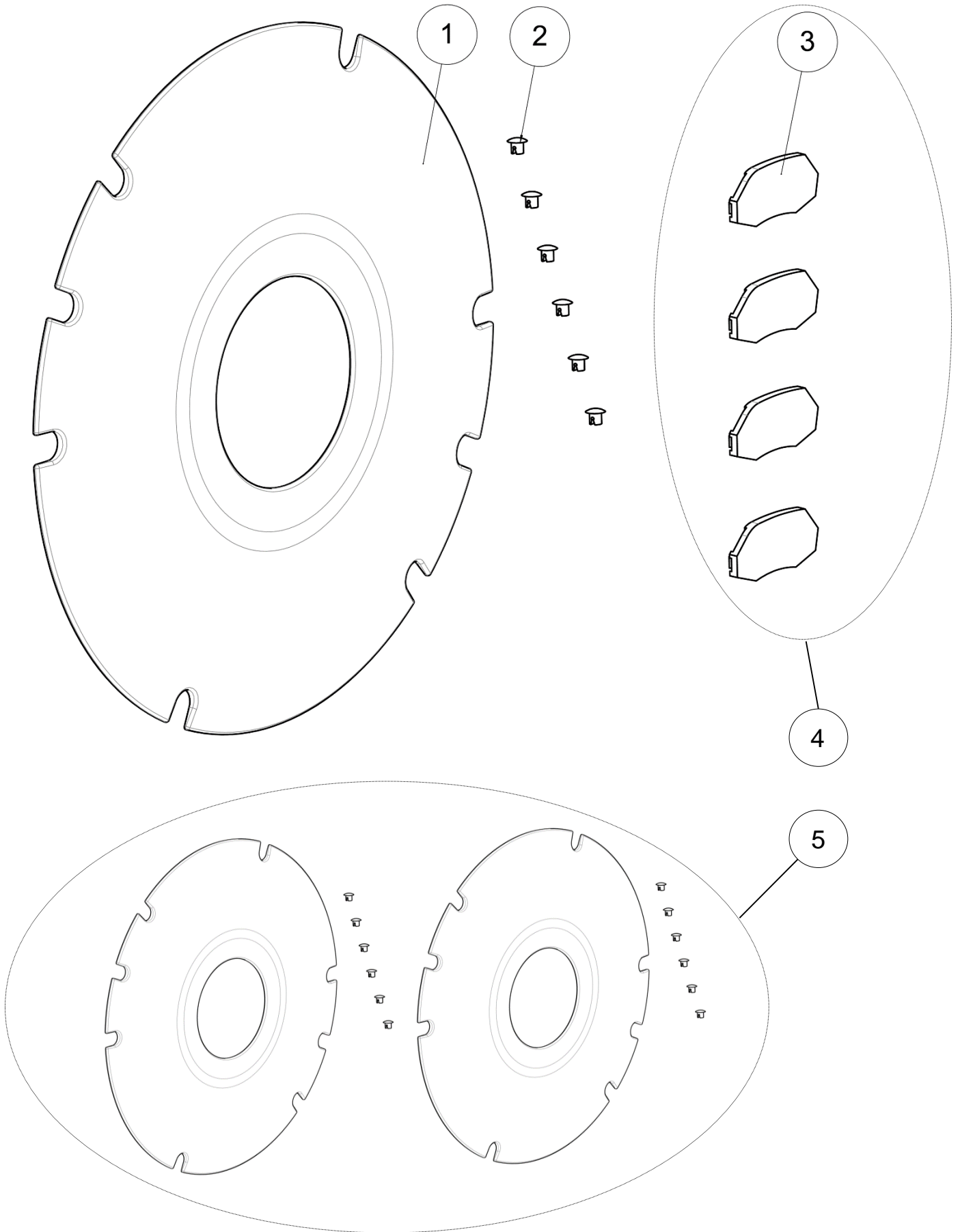
Anti-tipper wheels

Anti-tipper wheels

Pos	Qty	Stock Code	Description En	Description Fr	Remark
1	6	C0215XXXFO	Nut cap M6	Cache écrou M6	
2	1	L9020XXXFO	Anti-tipper wheels (pair)	Roulettes anti-basculé (paire)	
3	4	VIS-CHC6X30ZN	Hexagon socket head cap screw M6x30	Vis tête cylindrique M6x30 six pans creux	If the anti-tipper wheels are mounted on the same position as the rear wheel axle (pos. 1 p.6) , use the M6x35 screws ; otherwise use the M6x30 screws.
		VIS-CHC6X35ZN	Hexagon socket head cap screw M6x35	Vis tête cylindrique M6x35 six pans creux	
4	2	A9001XXXAI	Anti tip bar fitting	Support roulette anti-basculé	
5	4	RON-M6ZN	Plain washer Ø6	Rondelle plate M Ø6	
6	4	ECR-HFR6ZN	Prevailing torque type hexagon nut M6	Ecrou frein M6	
7	1	A9020XXXAI	Kit anti-tipper wheels (pair)	Kit roulettes anti-basculé (paire)	

Wheels

Rear wheels accessories





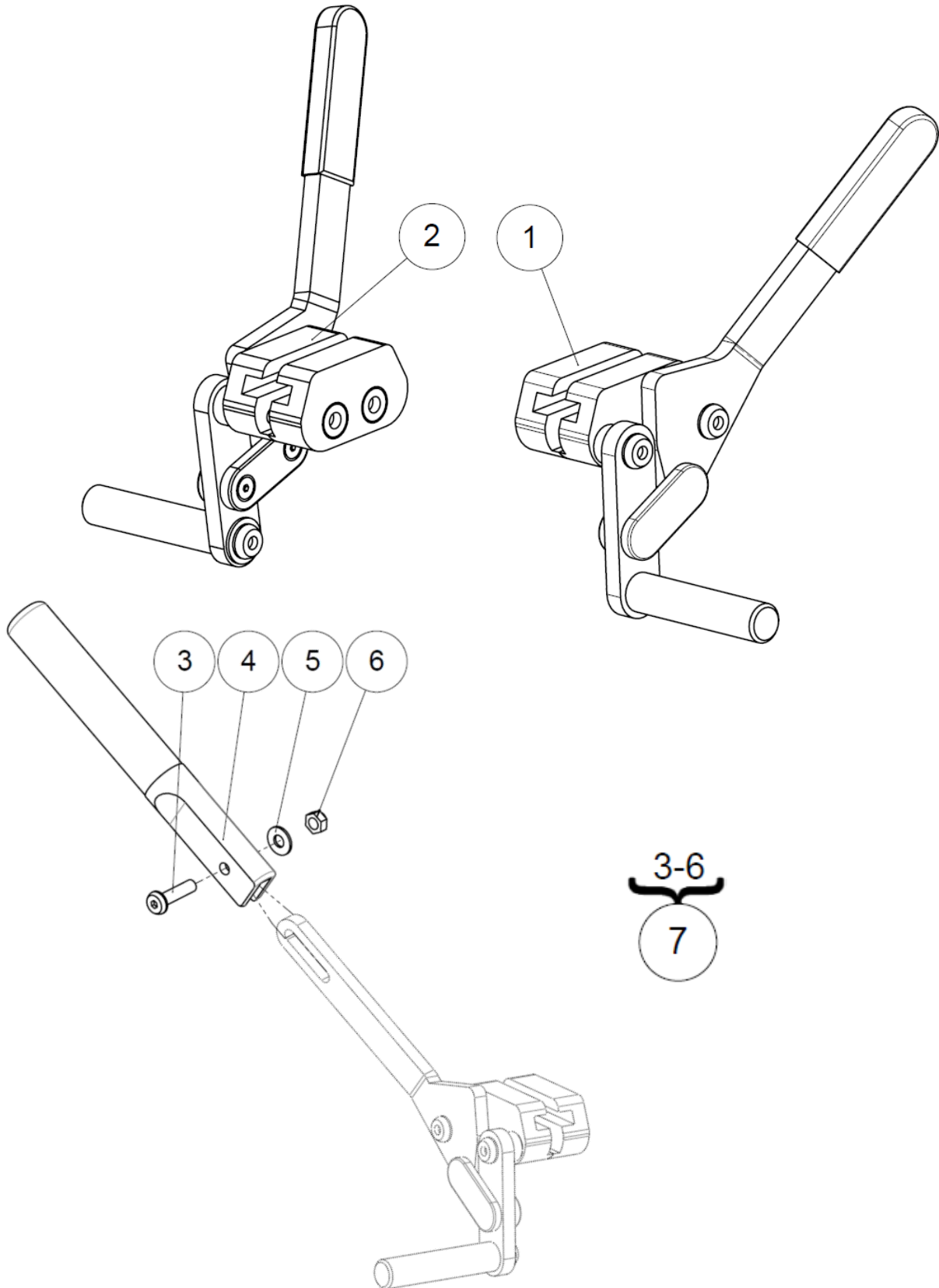
Wheels

Rear wheels accessories

Rear wheels accessories

Pos	Qty	Stock Code	Description En	Description Fr	Remark
1	2	L7003145FO	Spoke guard 24''	Flasque Øint 145 Øext 600mm	
2	12	L7003XXXFO	Clips for spoke guard	Clips flasque de roue	
3	4	L0014XXXFO	Reflector	Catadioptré	NOT COMPATIBLE WITH SPINERGY
4	1	L7121XXXFO	Kit 4 reflectors	Kit 4 catadioptrés	NOT COMPATIBLE WITH SPINERGY
5	1	L7120XXXFO	Kit spoke guards 24 '' (pair)	Kit flasques de roues 24'' (paire)	

Brakes

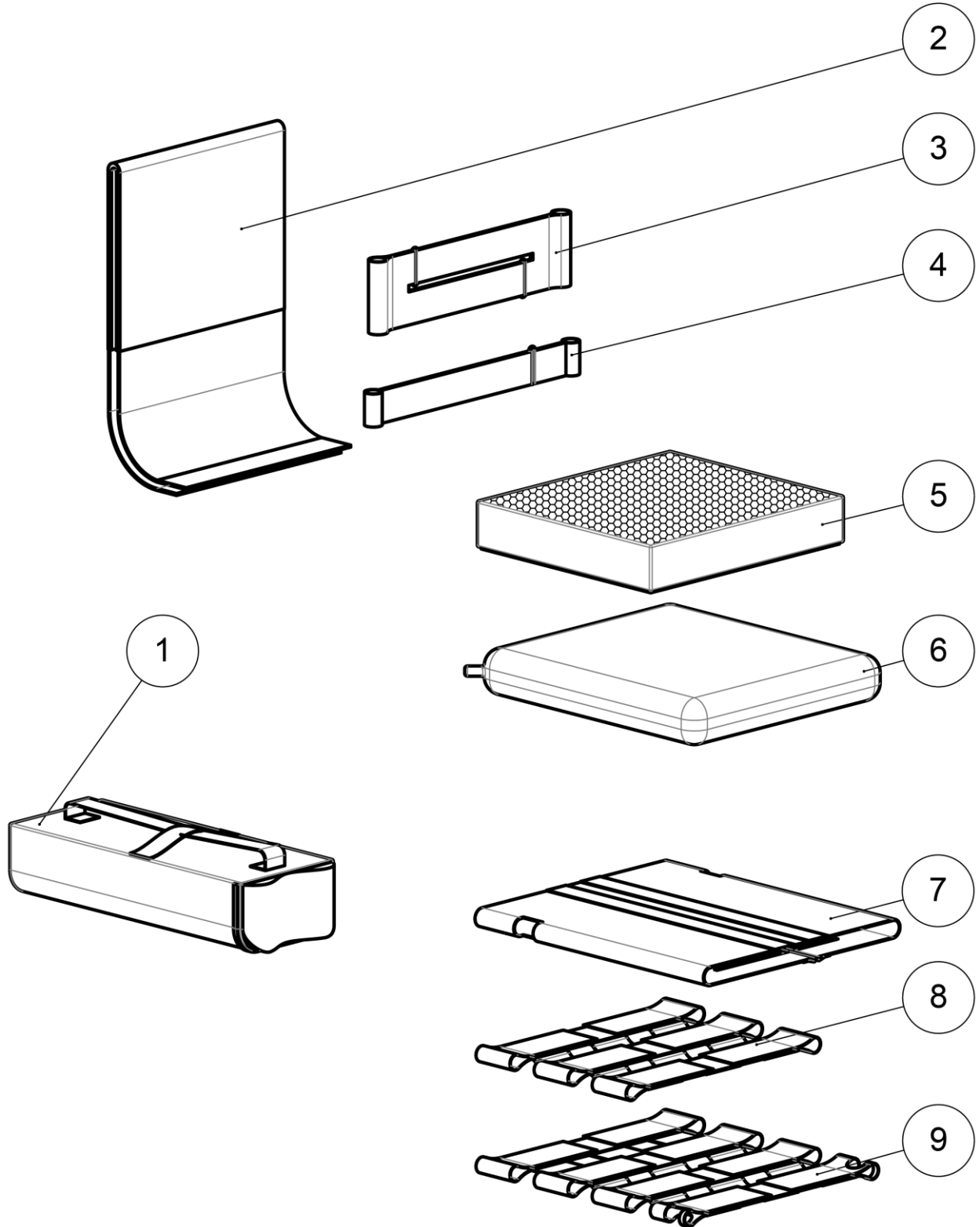


Brakes

Brakes

Pos	Qty	Stock Code	Description En	Description Fr	Remark
1	1	L1120RXXAI	Right brake	Frein droit	
2	1	L1120LXXAI	Left brake	Frein gauche	
3	1	VIS-CBHC5X20ZN	Hexagon socket button head screw M5x20	Vis tête bombée M5x20 six pans creux	
4	1	L1126XXXFO	Brake lever for hinged handle	Rallonge poignée frein escamotable	
5	1	RON-M5ZN	Plain washer Ø5	Rondelle plate M Ø5	
6	1	ECR-HFR5ZN	Prevailing torque type hexagon nut M5	Ecrou frein M5	
7	1	L1125XXXFO	Kit brake extension (pair)	Kit extension de frein (paire)	

Textiles



Textiles

Textiles

Pos	Qty	Stock Code	Description En	Description Fr	Remark
1	1	320690	LSA kneepad bag	Sac de genouillère	
2	1	L6005X36FO	Standard backrest cover size 36-38 cm	Couvre dossier standard taille 36-38 cm	
		L6005X40FO	Standard backrest cover size 40-42 cm	Couvre dossier standard taille 40-42 cm	
		L6005X44FO	Standard backrest cover size 44-46 cm	Couvre dossier standard taille 44-46 cm	
3	1	L6002XX2FO	Universal two-strap backrest stay	Sous-dossier 2 sangles taille unique	
4	1	L6002XX1FO	Universal one-strap	Sous-dossier 1 sangle taille unique	
5	1	L6110X36FO	Seat cushion visco size 36x40x7 cm	Coussin visco taille 36x40x7 cm	
		321243	Seat cushion visco size 36x47x7 cm	Coussin visco taille 36x47x7 cm	
		321244	Seat cushion visco size 36x53x7 cm	Coussin visco taille 36x53x7 cm	
		L6110X40FO	Seat cushion visco size 40x45x7 cm	Coussin visco taille 40x45x7 cm	
		L6110X4048	Seat cushion visco size 40x48x7 cm	Coussin visco taille 40x48x7 cm	
		321248	Seat cushion visco size 40x53x7 cm	Coussin visco taille 40x53x7 cm	
		L6110X44FO	Seat cushion visco size 44x45x7 cm	Coussin visco taille 44x45x7 cm	
		L6110X4448	Seat cushion visco size 44x48x7 cm	Coussin visco taille 44x48x7 cm	
		321251	Seat cushion visco size 44x53x7 cm	Coussin visco taille 44x53x7 cm	
		L6110X48FO	Seat cushion visco size 48x48x7 cm	Coussin visco taille 48x48x7 cm	
321253	Seat cushion visco size 48x53x7 cm	Coussin visco taille 48x53x7 cm			
6	1	N-COZOI02	Cushion Varilite ZOID 35x40 cm	Coussin Varilite ZOID 35x40 cm	
		N-COZOI03	Cushion Varilite ZOID 40x40 cm	Coussin Varilite ZOID 40x40 cm	
		N-COZOI04	Cushion Varilite ZOID 40x45 cm	Coussin Varilite ZOID 40x45 cm	
		N-COZOI06	Cushion Varilite ZOID 45x40 cm	Coussin Varilite ZOID 45x40 cm	
		N-COZOI05	Cushion Varilite ZOID 45x45 cm	Coussin Varilite ZOID 45x45 cm	
		N-COZOI09	Cushion Varilite ZOID 45x50 cm	Coussin Varilite ZOID 45x50 cm	
		N-COZOI08	Cushion Varilite ZOID 50x50 cm	Coussin Varilite ZOID 50x50 cm	
7	1	L6006X40FO	Adjustable tense seat size 36-40 cm	Assise en toile tendue taille 36-40 cm	
		L6006X44FO	Adjustable tense seat size 42-48 cm	Assise en toile tendue taille 42-48 cm	
8	1	L6001XX3FO	Four strap seat size 36-40 cm	Assise 3 sangles taille 36-40 cm	
9	1	L6001XX4FO	Four strap seat size 42-48 cm	Assise 4 sangles taille 42-48 cm	