

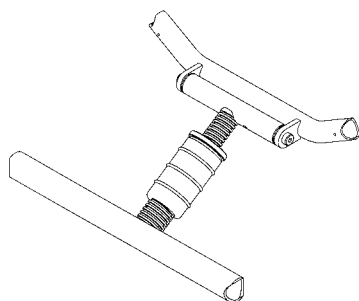


Yes, you can.™

No other everyday rigid wheelchair has the pedigree of the Invacare A-6/F-6. The Invacare A-6 combines the most advanced features of the Invacare® A-4™ with many of the revolutionary design features of the Invacare A-6S. The A-6 adjustable model includes a seat angle mechanism that can be adjusted in just seconds. The F-6 fixed seat angle model can be ordered for the rider who knows how he or she likes to sit. With a new telescoping wheelbase, both models can be set up to provide extreme stability for the first-time rider, or can be easily adjusted to maximize its extraordinary performance. Add this to the integrated head tubes and adjustable camber system, and that's why people who want the best ask for the Invacare A-6/F-6.

Highlights

- Adjustable camber system
- Sleek state-of-the-art design
- Camber choices from 0° to 12°
- Choice of adjustable or fixed seat angle
- Virtually unlimited seat-to-floor height/wheel combinations
- Integrated fixed head tubes are durable and do not need truing
- Available with fold-down adjustable-angle back or fixed back
- Choice of "V" or tapered front end
- Adjustable-angle footplate or tubular footrest



Seat angle adjustment mechanism allows up to 4" of travel, depending on depth, rear wheel, and seat-to-floor height.



Mounting clamp with telescoping wheelbase.



Camber-bar technology provides quick and easy camber changes; each insert provides two camber choices.

Specifications

Dimensions					
Width	14"-20" in 1" increments				
Depth	14"-20" in 1" increments				
Overall width by camber angle*					
Wheel type	0°	3°	6°	9°	12°
Spoke	6.75"	8"	10"	12.25"	14.25"
Composite	7"	8.25"	10.25"	12.5"	14.5"
Seat-to-floor**					
3" caster 22" wheel	17"-20"				
5" caster 22" wheel	17"-20"***				
6" caster 22" wheel	17.5"-20.5"				
3" caster 24" wheel	17"-21"				
5" caster 24" wheel	17"-21"***				
6" caster 24" wheel	17.5"-21.5"				
3" caster 26" wheel	17"-21"				
5" caster 26" wheel	17"-21"***				
6" caster 26" wheel	17.5"-21.5"				
Frame tubing					
Base frame	1.25"				
Seat rails	1"				
Back canes	1"				
Cane options					
Sportster	12"-14" adjustable	n/a fixed			
10° with push handles	16"-18" adjustable	20" fixed			
Straight with push handles	12"-18" adjustable	n/a fixed			
Arm Height†					
T-Arm	6"-10" in .50" increments				
T-Arm	8"-14" in 1" increments				
Swingaway half arm††	9"-11" with upholstered armpads in 1" increments				
Weight	250 lb.				
Warranty	Lifetime on frame and crossbraces				

**Add the amount above to the seat width to obtain the overall chair width at its widest point.

**Range adjusts in 1" increments.

***5" caster allows the seat-to-floor height adjustment of +1" or -1"

†Measurement taken from top of seat rail to top of armrest.

††Add 1" with upholstered armpads.

Invacare Corporation
www.invacare.com

USA

One Invacare Way
Elyria, Ohio
44035-4190
(800) 333-6900

Canada

5970 Chedworth Way
Mississauga, Ontario
L5R 3T9 Canada
(800) 668-5324

Invacare is a registered trademark and A-4 and Yes, you can. are trademarks of Invacare Corporation. Specifications are subject to change without notification.

© 2001

Invacare Corporation

Form No. 00-005

Rev. 07/01



Invacare® A-6/F-6 Wheelchair



Yes, you can.™