

EasyStand[™] Evolv[®] & Glider[™]

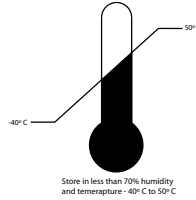


Owner's Manual

SYMBOL LEGEND



CAUTION/ATTENTION, see instructions for use.



ENVIRONMENTAL CONDITIONS



TYPE B APPLIED PART



DATE OF MANUFACTURE



PINCHPOINT

SN

SERIAL NUMBER



Please be environmentally responsible and recycle this product through your recycling facility at its end of life.

Afin de préserver l'environnement, veuillez confier ce produit à votre centre de recyclage à la fin de sa durée de vie.

Nachdem dieses Produkt ausgedient hat, entsorgen Sie es bitte auf umweltfreundliche Weise, indem Sie es zu der entsprechenden Recyclingstelle bringen.

Wees a.u.b. milieubewust en recycleer dit product via uw recycleerder na het verstrijken van de levensduur.

Sea responsable con respecto al medio ambiente y recicle este producto al finalizar su vida útil en el lugar de reciclaje correspondiente.

Siate responsabili verso l'ambiente e riciclate questo prodotto, al termine della sua vita d'uso, presso la vostra sede di riciclaggio.

Kierrätä tämä tuote sen käyttöiän lopussa ympäristövastuullisella tavalla paikallisella kierrätyslaitoksella.

Var miljomedveten och återvinn denna produkt efter dess användning.

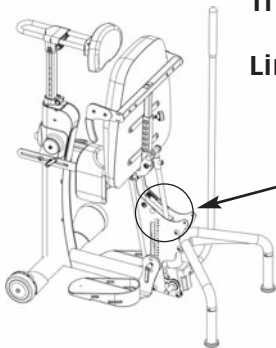
Vi ber deg ta hensyn til miljøet og resyklere dette produktet ved hjelp av de rette resyklingsfasilitetene når produktet ikke lenger kan brukes.

Vis venligst hensyn til miljøet ved at levere produktet til det nærmeste genbrugsanlæg, når det ikke længere fungerer.

Por favor, assumo responsabilidade ambiental, reciclando este produto em suas instalações de reciclagem no final de sua vida útil.

Table of Contents

Introduction	1
Safety Precautions	2
EasyStand Evolv Assembly	3
Swing Away Front	7
Shadow Tray	9
Mobile	11
Pow'r Up Lift Option	15
Other Options	19
EasyStand Glider Assembly	13
EasyStand Glider Adjustments	14
Adjusting Your Evolv	27
Shadow Tray Adjustments	30
Evolv Options & Parts Detail	31
Perfect Fit Guide	35
Transferring	36
Standing	37
Maintenance	38
Troubleshooting	39
Limited Warranty	40



Note: The serial number is located under the seat in the seat column.

Date Purchased _____ Serial # _____

**Videos on assembly & fitting can be viewed at www.easystand.com/videos*

Introduction

Congratulations on your purchase of the EasyStand standing frame! We at Altimate Medical have designed the EasyStand with your comfort and happiness in mind.

This manual is an integral part of your standing system and should be read completely and thoroughly by anyone that will be operating the unit. This will ensure that the EasyStand is assembled properly and used in the most beneficial manner.

Altimate Medical recommends that an attendant be present when the EasyStand is being used. Should any problem arise that you cannot solve by reading this manual, please contact your local supplier or call Altimate Medical Inc. at 800-342-8968 or 507-697-6393.

It is important and necessary that you inspect your EasyStand periodically to assure that it is in safe operating condition. Minor adjustments can be made by the operator. However, replacement of worn parts, major adjustments, or any other important corrections should be handled by an authorized supplier or service center. Only Altimate Medical, Inc. approved replacement parts should be used to ensure safety and performance.

Do not use the EasyStand without consulting your physician. Failure to consult a qualified physician prior to using the EasyStand could lead to severe medical problems. We recommend that a good standing program be established and supervised by a qualified physician or physical therapist.

Join the Standing Community!

Our goal is simple - to empower people with disabilities to stand up for their health. Connect, share, and learn from other people with disabilities, special needs parents, clinical professionals, and the experts in standing on one of our social networking communities. By keeping your standing program "top of mind" you will have the greatest chance of maintaining a standing routine that maximizes all the benefits of standing!

Read, share, and comment on the EasyStand Blog at blog.easystand.com

Find EasyStand on these social networking sites:



Safety Precautions

- If you do not meet these specifications and have not been properly fitted by a qualified therapist or physician, Altimate Medical Inc. does not recommend that you use the EasyStand.


Evolv/Glider Medium - is designed to accommodate most individuals from 4'0"-5'6" (122-168 cm) and up to 200 lbs. (90 kg).


Evolv/Glider Large - is designed to accommodate most individuals from 5'0"-6'2" (152-188 cm) and up to 280 lbs. (127 kg).


Evolv XT - is designed to accommodate most individuals from 6'0"-6'10" (183-209 cm) and up to 350 lbs. (159 kg).


For more detailed specifications visit our website www.easystand.com

- Altimate Medical Inc. recommends that you consult with your therapist or physician prior to starting a standing program.
- Check your EasyStand periodically to make sure that all nuts, bolts and adjustable parts are tightened securely.
- Never make adjustments to the EasyStand while a user is in the standing position.
- Never reposition the foot plates while you are in the standing position. Consult with your therapist or physician for proper foot placement and angle.
- If the unit was exposed to temperatures of less than 50°F (10°C), you must allow the unit to warm up to room temperature before use.
- Use body weight to lower the seat. Do not use excessive force.
- The EasyStand is for indoor use on level surfaces only.
- Violently thrusting in the EasyStand may cause it to tip.
- Always put the rear casters and/or wheels in the locked position before transferring into the EasyStand. Use these locks whenever you want to keep the EasyStand stationary.
- The EasyStand Evolv meets EN12182:1999 (test standard) for strength, durability and tipping stability.
- Please contact Altimate Medical Inc. for relevant clinical data and literature, strength, durability and test results as applicable.
- The EasyStand Evolv Electric Lift meets the requirements of IEC 60601-1 and 60601-2.*
- Electronic equipment can be affected by Radio Frequency Interference (RFI) and Electromagnetic Interference (EMI). **Caution** should be exercised when using portable communication equipment and other electronic devices around such equipment. If erratic behavior is noticed, use the mechanical release to lower the unit to the seated position immediately and unplug the unit until use of the interfering device is discontinued. Report all such incidents to our customer service department.*
- Altimate Medical products are specifically designed to be used with Altimate Medical accessories and options. Unless otherwise noted, accessories and options from other manufacturers have not been tested by Altimate Medical and are not recommended for use with Altimate Medical products.
- It is recommended that you remove the batteries if the equipment is not likely to be used for 6 months or greater. Furthermore, it is recommended to fully charge the batteries every 6 months or less during periods of intermittent or non-use.*
- It is recommended that the equipment be stored in air less than 70% humidity and temperatures -22 to 122 F (-30 to +50 C). Batteries must be stored between 41 and 104 degrees Fahrenheit (+5 to +40 Celsius)
- The wheel lock on the mobile option is to keep the unit in place while transferring or standing stationary and it is **not** intended to be used as a dynamic brake to stop a rolling mobile unit.

 **Caution:** This equipment is designed to accommodate a range of users; therefore the unit has various adjustment slots and holes. Avoid placing fingers or other body parts in any of these areas.

 **Caution:** While in use this equipment has various moving parts, familiarize yourself with your unit and avoid placing hands or fingers near any of these areas.

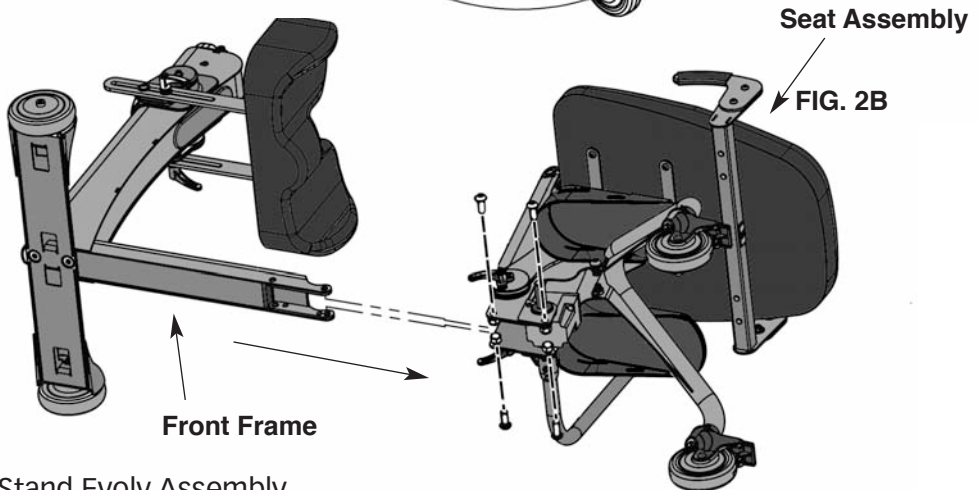
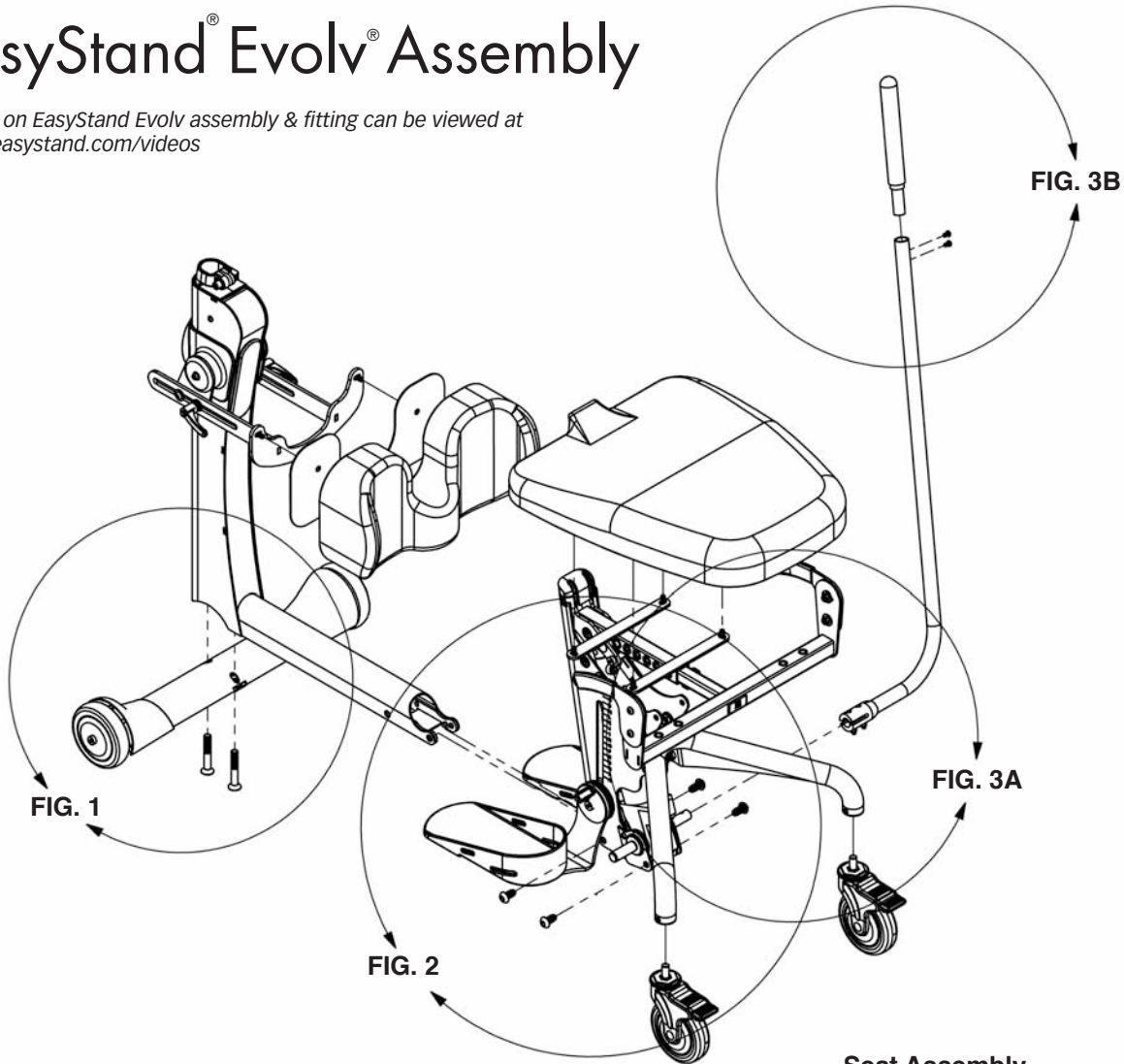
 **Caution:** Advise bystanders to keep clear of the unit while in use.

 **Caution:** Do not use the EasyStand Evolv Mobile option on an incline, it is intended for level surfaces only. Doing so may cause the unit to tip.

* Evolv Pow'r Up Lift Option Only

EasyStand[®] Evolv[®] Assembly

Videos on EasyStand Evolv assembly & fitting can be viewed at www.easystand.com/videos



For Glider assembly refer to p. 13.
For Mobile assembly refer to p. 11.

If you ordered the Evolv XT, your unit will be fully assembled except for the tray and back option. Refer to p. 19 for the back option assembly, p. 23 for the tray assembly and p. 9 for the Shadow Tray. For any other option assembly please refer to p. 19-26.

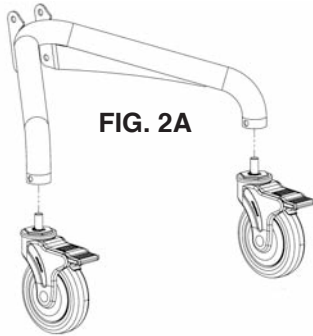
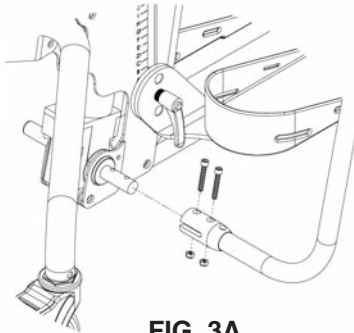


FIG. 1- Attach the front caster frame to the front frame with bolts and tighten securely.

FIG. 2A- Attach the casters to the rear base frame. Tighten securely using the provided wrench. Ensure the casters are flush with the rear base frame. The casters come supplied with a locking compound pre-applied to the threaded stem. Do not remove this material, it is important to prevent the casters from accidentally loosening over time.

FIG. 2B- Place the front frame and the seat assembly on their side, slide the front frame into the opening of the seat assembly as shown. Line up holes and insert all four bolts first, then place nuts onto bolts and tighten securely with hex wrench and 19mm open ended wrench. Place unit upright on its wheels.



If you ordered the Swing Away Front option, slide the front frame into the opening of the seat assembly as shown on p. 7. To help with installation, place folded cardboard or a block of wood underneath the frame to support it. Start all four bolts first, then tighten securely.

For more Swing Away Front assembly refer to p. 7.

Lift seat up and flip down foot plates. Then insert ratchet handles (located in bag with owner's manual, E3 model will have ratchet handle already attached) into foot plates. Tighten securely.

FIG. 3A- Attach the pump handle to the pump on the seat assembly with bolts and nuts, tighten securely.

FIG. 3B- Insert top of handle into pump handle and tighten bolts securely.

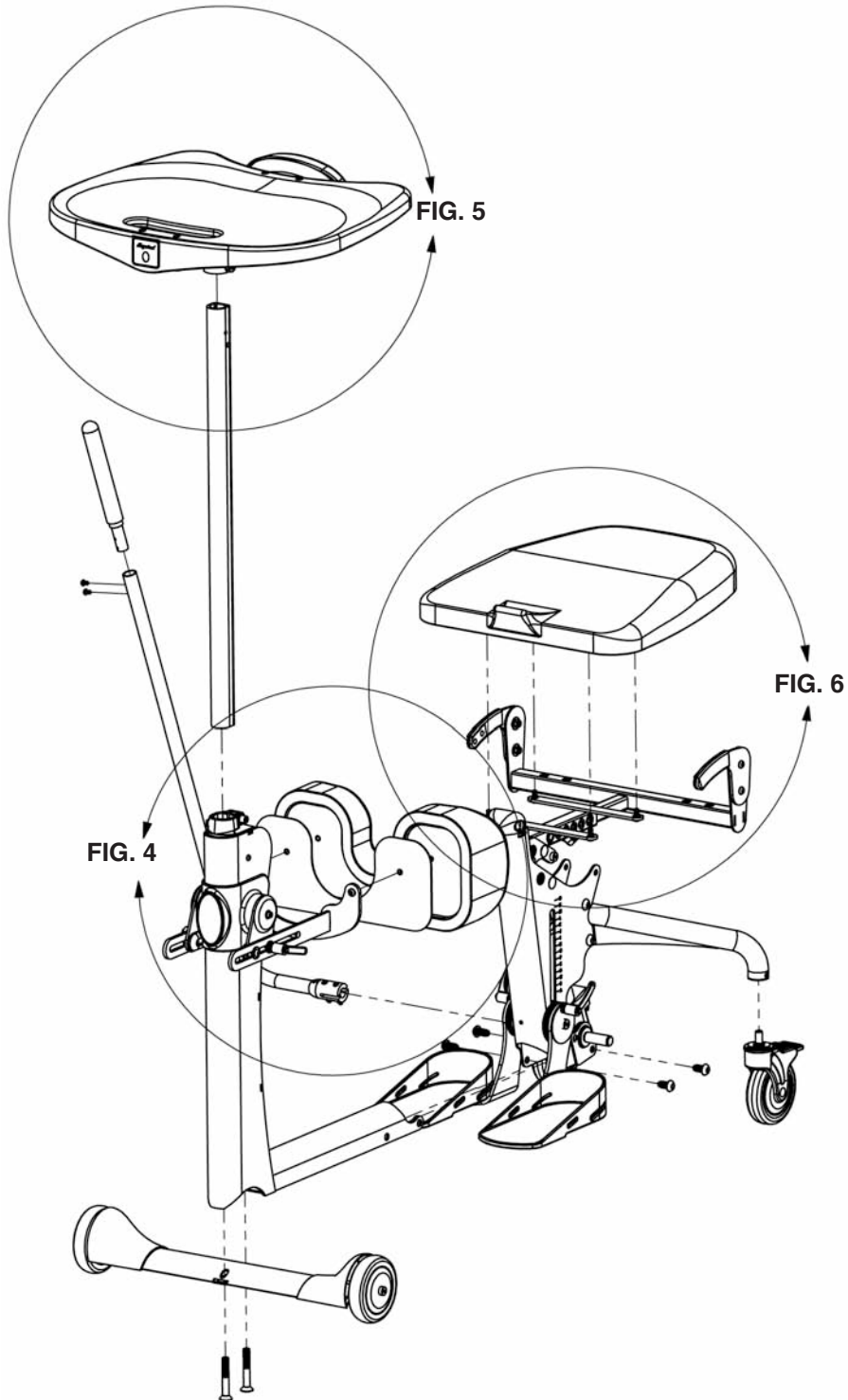
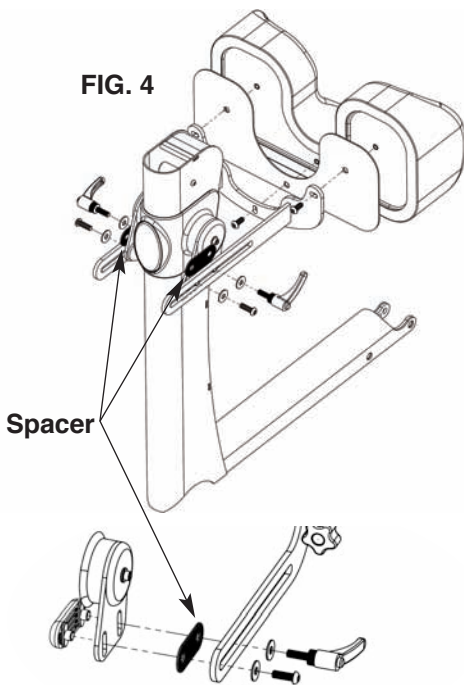


FIG. 4



*If you ordered the Swing Away Front, please refer to p. 7-8.
If you ordered the Independent Kneepads refer to p. 25.*

FIG. 4- Remove ratchet handle and hardware from the knee bracket. Place the bracket and hardware onto the column in the order as shown. Make sure spacer is placed in between the two steel brackets. Place the washer and bracket bolt into the bracket assembly and tighten snug making sure the knee bracket moves freely. Do NOT overtighten bolt. Place the washer and ratchet handle into the bracket assembly. Tighten ratchet handle once desired position is complete.

Remove the three bolts from the kneepad making sure the plastic insert stays in place. Place the kneepad onto the bracket and insert top two bolts before inserting the middle bolt. Tighten securely. If you ordered the independent kneepads, place pads into knee bracket, make sure the larger end of the pad is on the outside of the unit (see drawing on p. 25).

If you ordered the Shadow Tray, please refer to p. 9-10.

FIG. 5

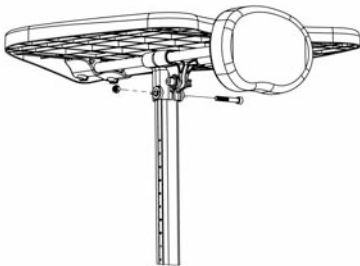
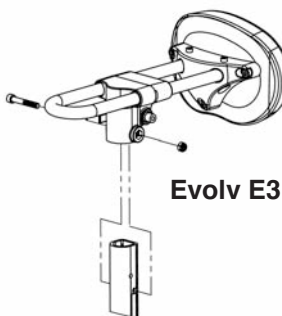


FIG. 5- Insert the tray post into the front column with the holes in the post facing upward. The tray clamp on the front frame may need to be adjusted to fit the tray post into the frame. Place tray onto the tray post, insert nut into slot and bolt into hole, tighten securely.

If you ordered any additional options, please refer to the drawings on p. 19-26.

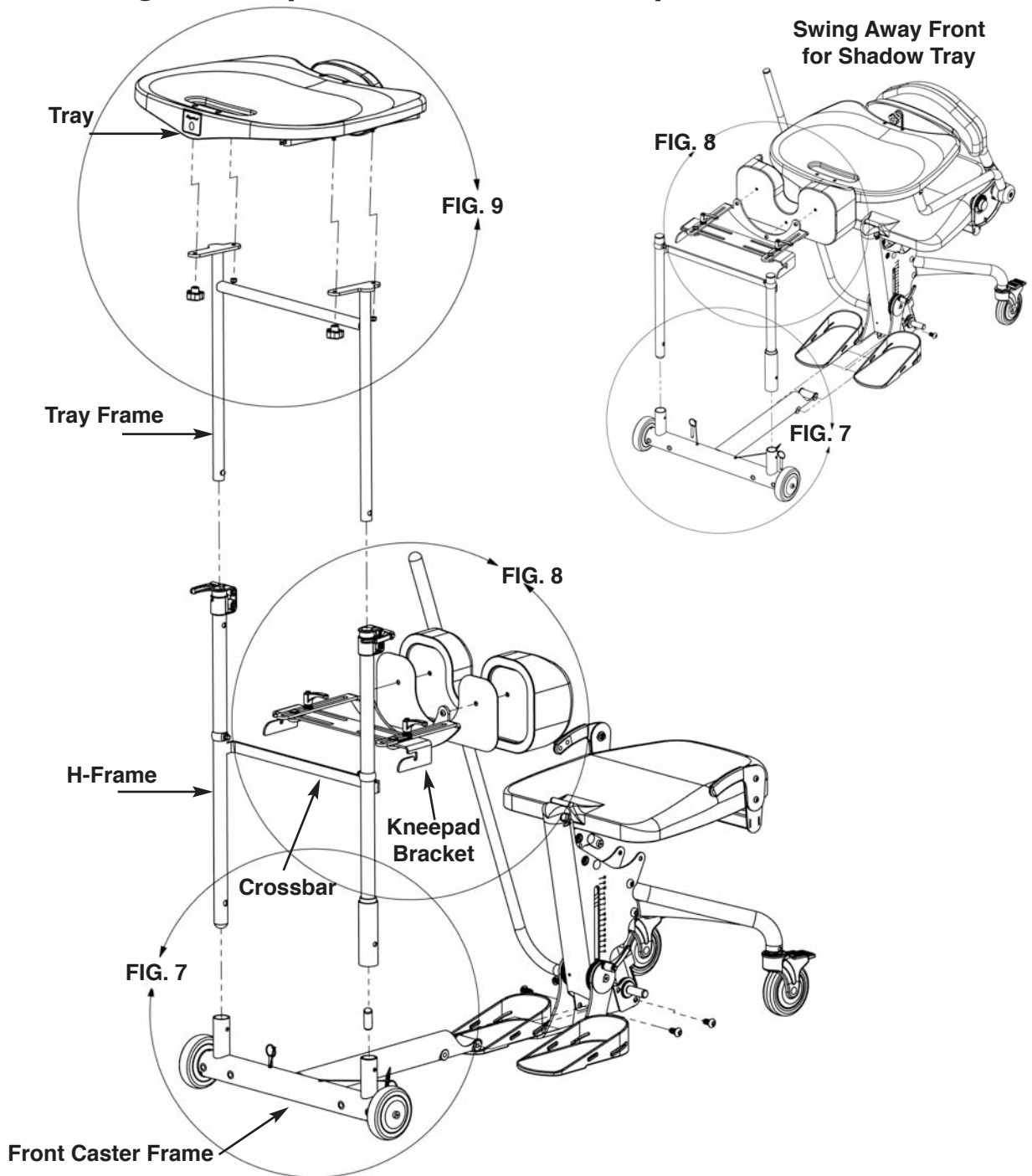
FIG. 6- Install the seat onto the seat assembly after all the other options are added. For easier installation, pump the seat halfway up. Start all four bolts first, then tighten securely.

For Evolv adjustments, see p. 27-30.



Evolv E3

Swing Away Front Assembly



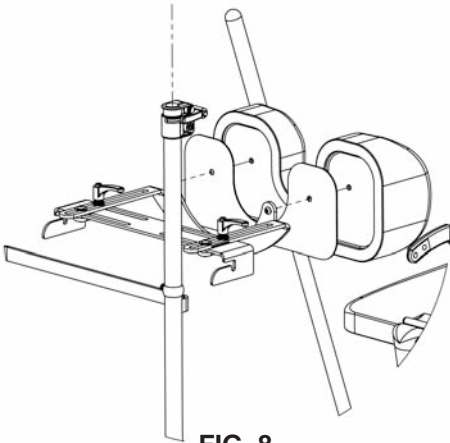


FIG. 8

FIG. 7- Insert the H-frame into the front caster frame. Insert pins into the holes provided (crossbar should face seat).

*If you ordered Front Swivel Casters refer to p. 24.
If you ordered Independent Kneepads refer to p. 25.*

FIG. 8- Place the kneepad bracket onto the H-frame. Remove the three bolts from the kneepad making sure the plastic insert stays in place. Place the kneepad onto the bracket and insert the top two bolts before inserting the middle bolt. Tighten securely.

If you ordered the Shadow Tray, you can now skip to p. 9.

FIG. 9- Insert the tray frame into the H-frame, tighten knobs securely. Place the tray onto the tray frame, install knobs. Tighten nuts so they are secure, tray will not move if nuts are overtight.

To use the Swing Away Front:

To swing away the front for transferring, remove pull pins from the bottom of the H-frame. Lift collar and swing away for transfer. After positioning client in stander, swing front back into front caster frame and replace pins, making sure that the collar is secure.

⚠ Caution: Collar and pins must be securely in place before the user goes into the standing position.

For Evolv adjustments, see p. 27.

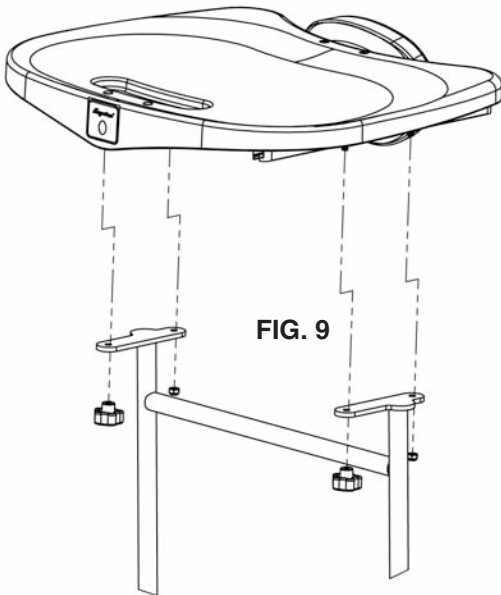


FIG. 9

Shadow™ Tray Assembly

Shadow Tray Bracket Set-up

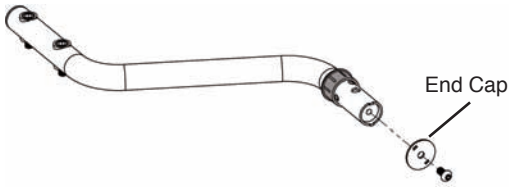


Fig. 10- On the support arm, remove the plastic bag with two mounting bolts and a silver pin. Using a hex wrench remove the end cap from the Shadow Tray arm.

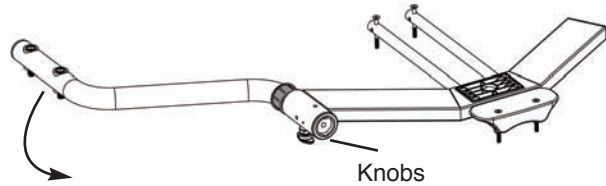


Fig. 13- The knobs on the end of the support arm should be exposed. Rotate the arm down to 90°. Lock the plunger into place.

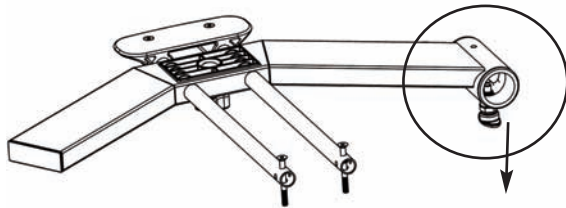


Fig. 11- Release the plunger by pulling down on it, twist to keep it released.

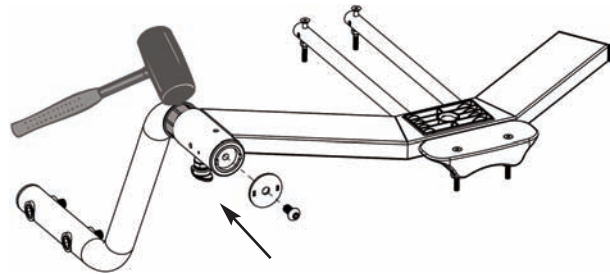


Fig. 14- Use a rubber mallet to tap the black cap into the Shadow Tray bracket. Replace the end cap and tighten securely.

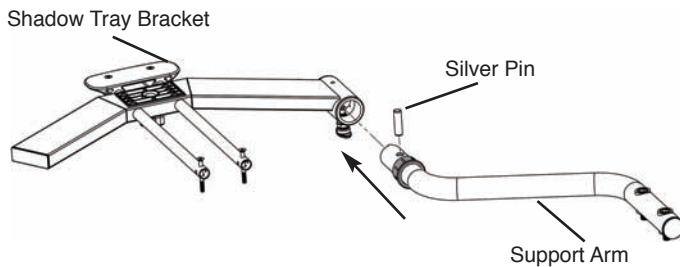


Fig. 12- Insert the silver pin into the support arm as shown, while supporting the silver pin, place the support arm into the Shadow Tray bracket until it clicks into place.

These assembly instructions are shown for the right side mounted Shadow Tray, for the left side mounted Shadow Tray, installation will be on the opposite side.

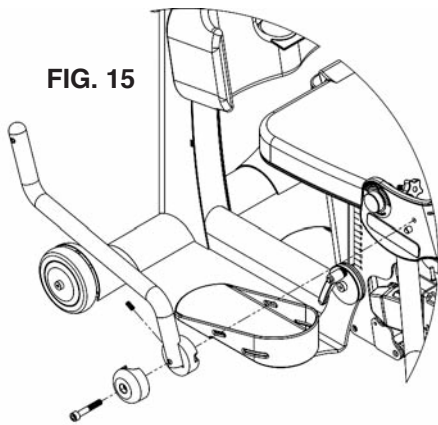


FIG. 15

FIG. 15- To install the support arm, first remove the nut from the bolt that is pre-assembled to the arm, leaving the bolt and the two halves of the fitting (one plastic and one metal) in place on the tube. Thread the bolt into the hip plate, as shown in Fig. 16. Once the bolt has been secured and the support arm has the desired level of tension, install the nut on the bolt that's protruding through the opposite side of the hip plate, closest to the user. Use either the small end of the wrench from the supplied tool kit, or a 17mm socket wrench (preferred) to securely tighten the nut. A setscrew in the metal half of the support arm fitting may be used to adjust the level of the tray once the installation is complete.

FIG. 16- Install the tray arm rest to the unit with the two bolts attached. Tighten bolts securely.

FIG. 17- Place chest pad onto tray tubes. Place tray onto bracket and insert the bolts into the bracket and tighten securely.

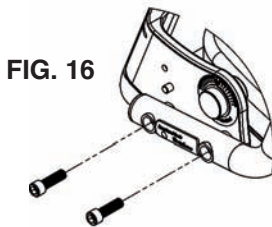


FIG. 16

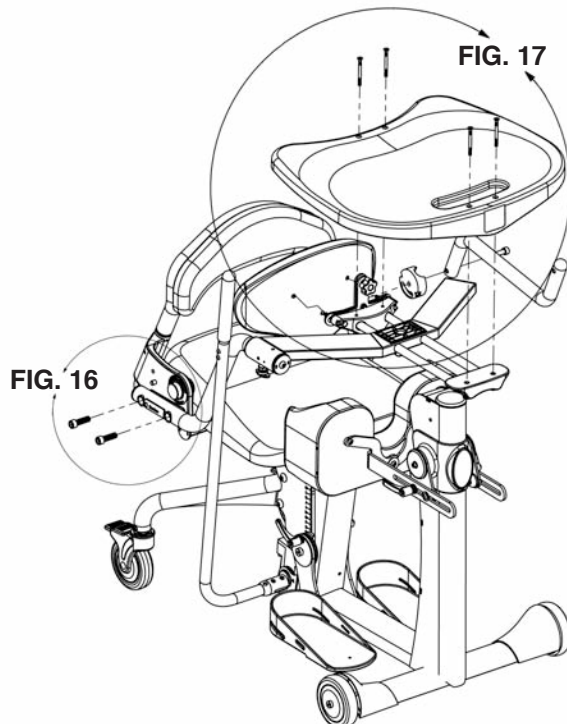
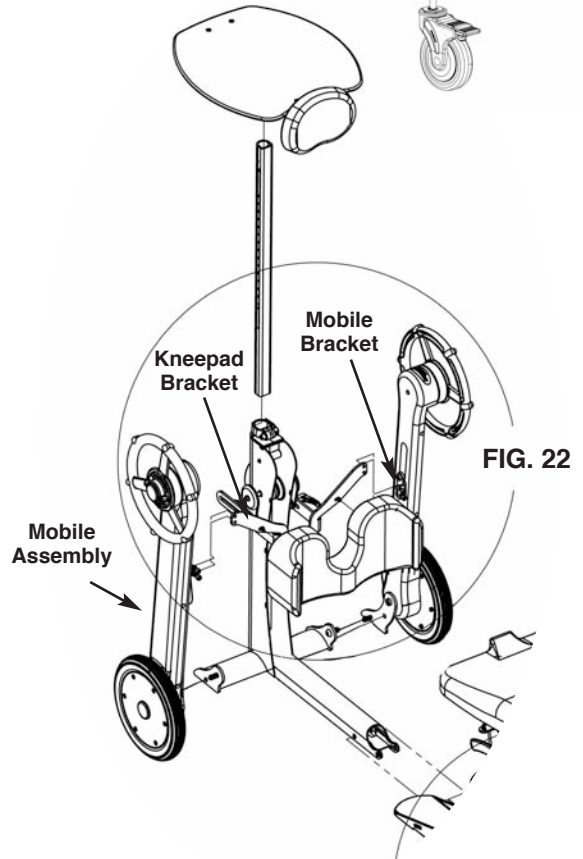
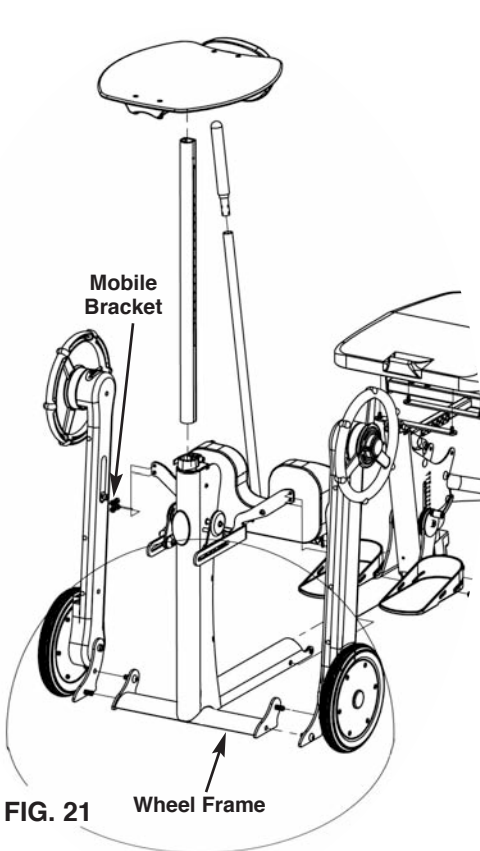
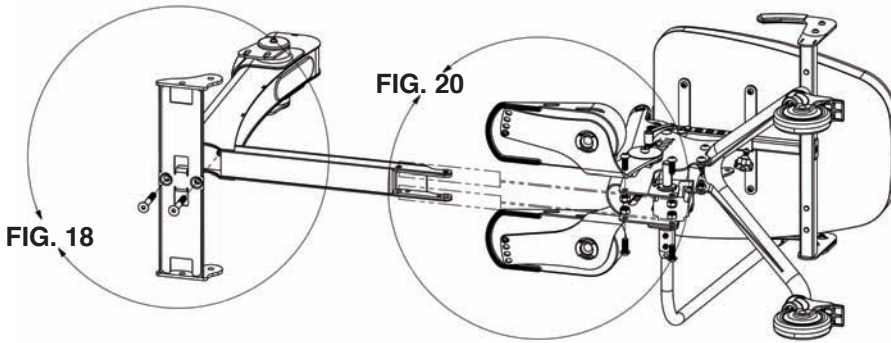


FIG. 17

FIG. 16

Mobile Assembly



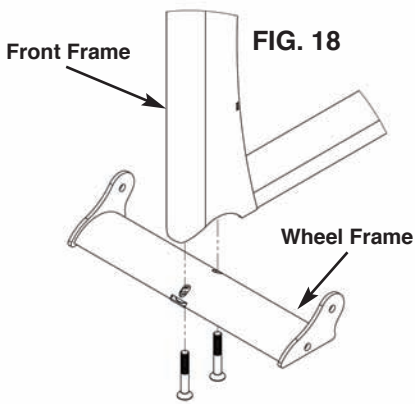


FIG. 18- Place the front frame onto the wheel frame. Line up the two bolts to the holes of the wheel frame, start both bolts before tightening securely.

FIG. 19- Attach the casters to the rear base frame. Tighten securely using the provided wrench. Ensure the casters are flush with the rear base frame. The casters come supplied with a locking compound pre-applied to the threaded stem. Do not remove this material, it is important to prevent the casters from accidentally loosening over time.

FIG. 20- Place the front frame and the seat assembly on its side, slide the front frame into the opening of the seat assembly as shown. Line up holes and insert all four bolts first, then place nuts onto bolts and tighten securely with hex wrench and 19mm open ended wrench. Place unit upright.

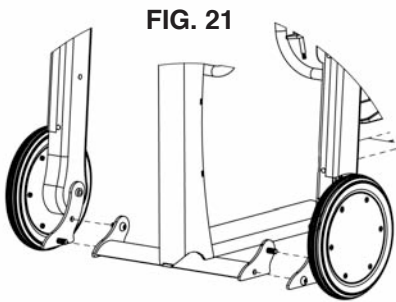


FIG. 21- Place the left side mobile assembly onto the wheel frame. Line up holes and insert top bolt through the inside as shown. Place the nut onto the bolt and hand tighten. Line up holes and insert bottom bolt through the outside as shown. Hand tighten the nut onto the bolt, then tighten both bolts securely with a 19mm wrench and hex wrench. Repeat on the opposite side before going onto the next step.

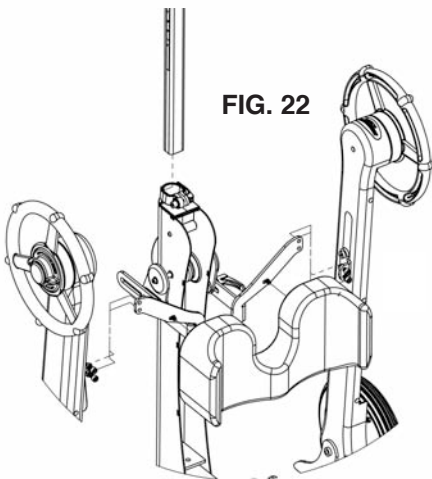
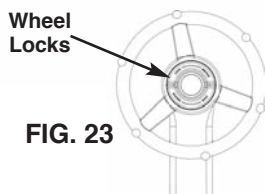


FIG. 22- Place mobile bracket onto the kneepad bracket. Place kneepad onto the mobile bracket. Insert three bolts into the back of the kneepad. Tighten bolts securely. Remove bolts from mobile bracket. Flip down kneepad and align bracket on mobile wheels. Tighten bolts and nuts securely with 13mm wrench and hex wrench. Repeat steps on the opposite side before going onto the next step.

Lift seat up and flip down foot plates. Then insert ratchet handles into foot plates. Tighten securely.

FIG. 23- Your Mobile is equipped with wheel locks for safety in transferring and stability while performing stationary activities. Note the directional arrows imprinted in the center hub of each handrim.

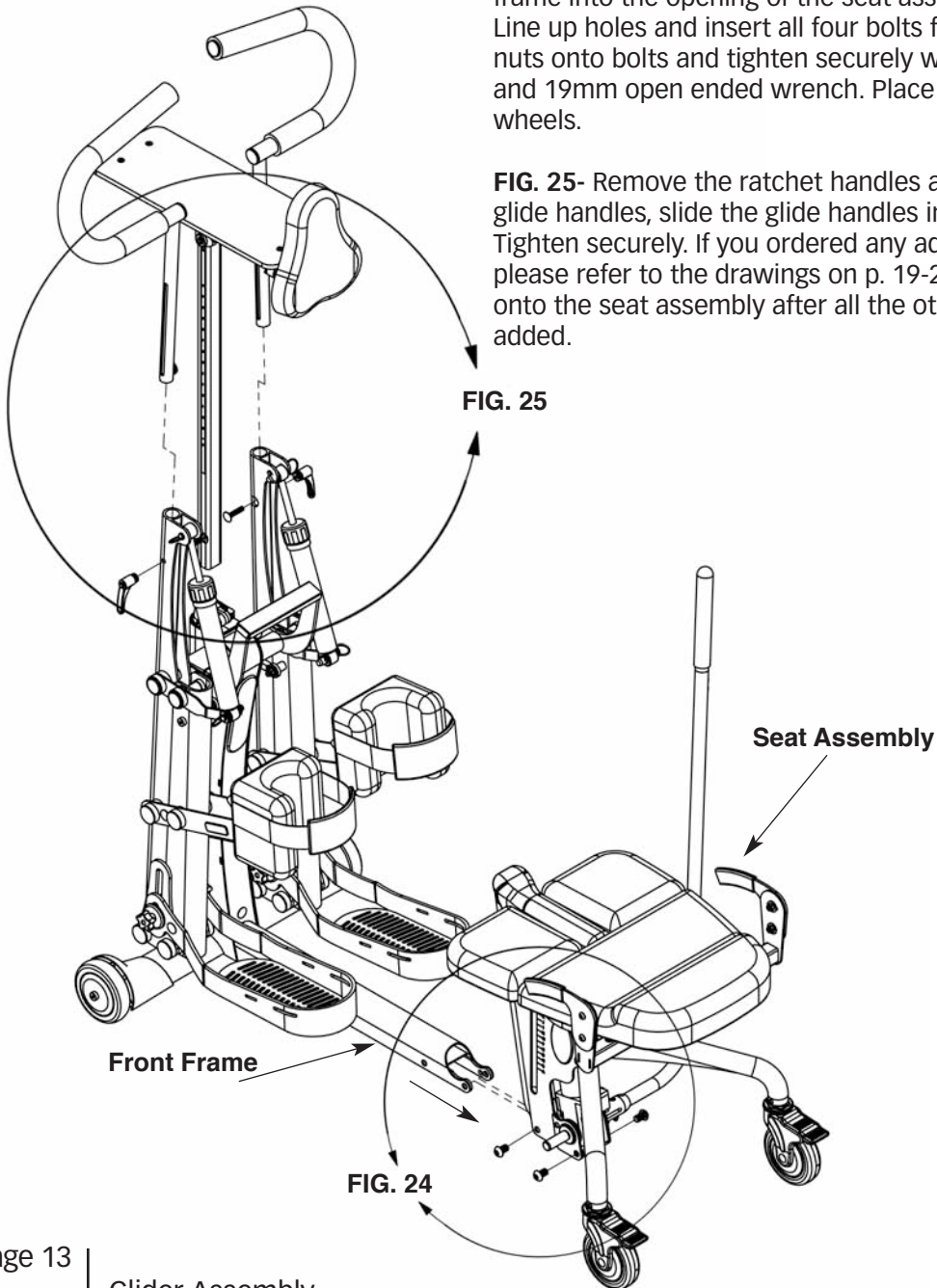


To assemble the tray and seat, go to p. 6, Fig. 5 & 6.

EasyStand Glider™ Assembly

FIG. 24- For International orders only: Place the front frame and the seat assembly on its side, slide the front frame into the opening of the seat assembly as shown. Line up holes and insert all four bolts first, then place nuts onto bolts and tighten securely with hex wrench and 19mm open ended wrench. Place unit upright on its wheels.

FIG. 25- Remove the ratchet handles and bolts from the glide handles, slide the glide handles into the slots. Tighten securely. If you ordered any additional options, please refer to the drawings on p. 19-26. Install the seat onto the seat assembly after all the other options are added.



EasyStand® Glider™ Adjustments

FIG. A



FIG. C

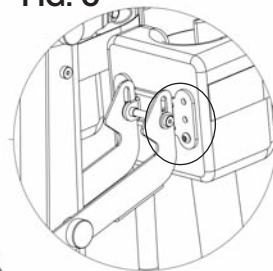


FIG. B

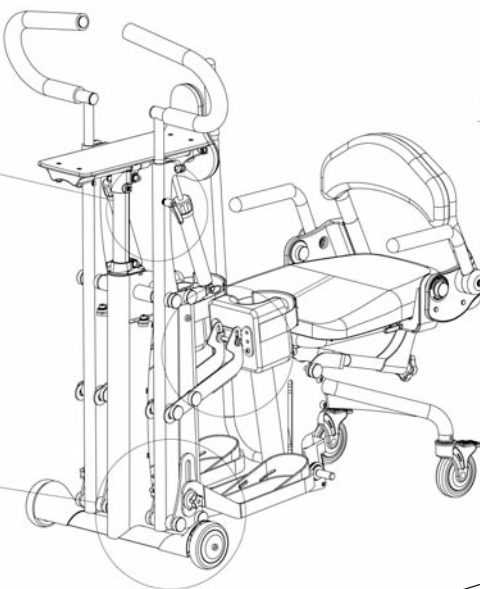


FIG. D

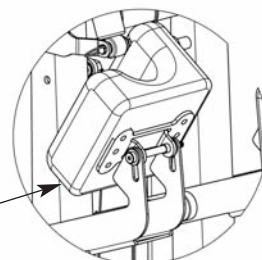


FIG. A- To adjust the height of the glide handles, loosen each clamp. Adjust the handles to the user's desired position and tighten the clamps.

The resistance cylinders are individually adjustable to provide eleven different resistance settings. Turn the cap of the cylinders to your desired resistance. The resistance cylinders can also be disconnected by disengaging the pull pin.

FIG. B- Adjust the foot plates so the user's knees are centered in the kneepads and the femur is resting on the seat, by loosening the two knobs on each foot plate (for easier access to the inside knob, swing the leg assembly forward). Tighten securely.

FIG. C- Often, the proper fit can be achieved by adjusting the foot plate height. When necessary, the kneepads are independently adjustable with five adjustments. To adjust the kneepads, remove the hex key bolts from the kneepads and adjust to the desired position. Replace the bolts and tighten securely.

FIG. D- Before transferring, flip up the kneepads to allow easier access.

⚠ Caution: Never make adjustments to the EasyStand while a user is in the standing position.

⚠ Caution: While using the Glider, advise bystanders to keep hands and feet clear of the Glider mechanism.

⚠ Caution: While using the Glider, keep hands clear of the resistance cylinders' upper and lower mounting points.

Pow'r Up Lift Option

Charging the Battery

The EasyStand Evolv Pow'r Up Lift uses two 12 volt sealed lead batteries rated at 2.9 amps each. An EasyStand Evolv can be lifted approximately 100 times on one full battery charge. An audible alarm will sound when the battery is low. A battery needing to be fully recharged will take approximately 8 hours. The EasyStand Evolv can be raised to the standing position while being charged. The function of the charger is to detect a full battery and then provide a constant potential power supply to hold the battery at a full condition without overcharging it. When the battery EMF rises to a factory preset point, the charger circuit will not allow the peak output voltage to exceed that value. This factory setting protects a battery from excessive depletion of electrolyte, which can occur from overcharging. The charger can be found in the tool pouch on the back of the unit.

CAUTION: Use only the Linak charger, model numbers 00CH01-XX OR 10CH01S-00, provided by Altimate Medical with your Pow'r Up option.

1. Plug the receptacle into a wall outlet. The light on the charger will be green indicating an open circuit.
2. **FIG. A-** Plug the charger cord into the side of the hand control. The light on the charger will turn yellow indicating the batteries are being charged.
3. **FIG. B-**The unit will arrive to you unplugged from the battery, you need to plug in the white cord that supplies power to the actuator and the black cord that supplies power to the remote. The black cord has a notch on it to orient the connector properly. Fully charge battery before use.

Note: The white cord has a rubber washer on it, which makes it very sticky and can sometimes not get pushed in completely, make sure to push the cord all the way into the battery.

4. When the batteries are charged, the light on the charger will turn green.

See notes under Safety Precautions on p. 2 for additional battery information.

FIG. A

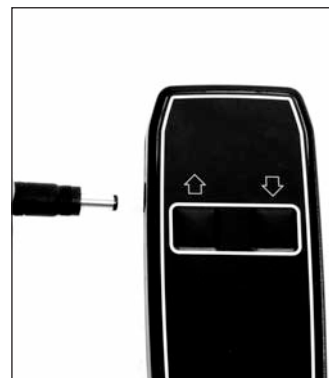
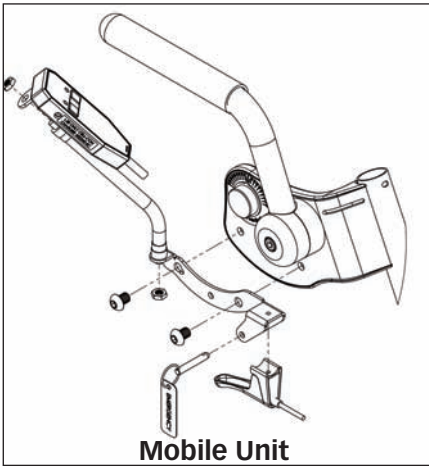


FIG. B



FIG. C1



Assembly of the Hand Control

FIG. C1- If you ordered the Mobile Option, assemble the hand control as illustrated in Fig. C1.

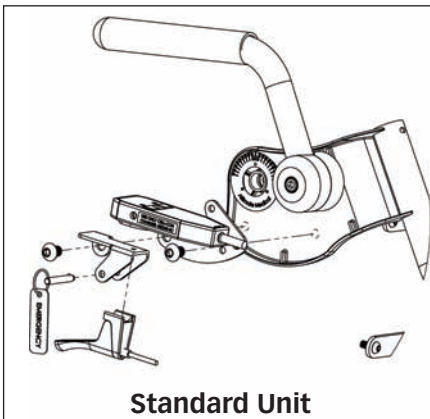
FIG. C2- If you did not order the Mobile Option, assemble the hand control as illustrated in Fig. C2.

⚠ CAUTION: The Evolv Pow'r Up Option is not designed for continuous use. Duty Cycle 5% Max, 1 min. / 19 min.

Raising the Lift - Press the UP (arrow up) button on the hand control to lift the seat.

Lowering the Lift - Press the DOWN (arrow down) button on the hand control to lower the seat.

FIG. C2



Battery Replacement

Note: If your control box (which includes the batteries) is within the 90 day warranty, please do not open the control box, contact Altimate Medical customer service for a replacement.

Once your batteries have reached the end of their life and need to be replaced, please follow the instructions below.

The batteries must be replaced with two 2.9 Amp/hr 12 volt batteries.

⚠ CAUTION: Altimate Medical strongly recommends that battery replacement be performed by a qualified technician.

1. If necessary, remove the charger from the hand pendant.
2. Remove the screws and the cover from the top of the control box to access the batteries and wiring.
3. Remove the plug connecting the batteries to the control box.
4. Remove the batteries.
5. Replace the batteries with the identical type.
6. Remount the wires to the batteries and insert the plug into the control box.

FIG. D- Once the batteries have reached the end of their useful life they are considered hazardous waste. Please contact your local recycling authority for information on disposing of your batteries.

FIG. D

**Udsiftning af batteri på CB 08-0A/Replacement of battery in CB 08-0A/
Auswechslung der Batterie in CB 08-0A/Remplacement des batteries du CB 08-0A.**

1. Fjern lader/Remove charger/Lader entfernen/Enlever le chargeur.
2. Træk stik ud/Pull plug out/Stecker ausziehen/Tirer sur la fiche repérée.
3. Fjern alle batterier samt disses ledninger/Remove all batteries with wires/Alle Batterien mit Leitungen entfernen/Enlever toutes les batteries avec leur fils de liaison.
4. Skift alle batterier til samme eller tilsvarende type/Replace all batteries by same or identical type/Alle Batterien durch denselben oder ähnl. Typ ersetzen/Remplacer les batteries par des nouvelles identiques.
5. Monter ledninger og stik som vist/Remount wires and plug as shown/Leitungen und Stecker wie gezeigt montieren/Reconnecter les fils de liaison et la fiche comme indiqué sur le schéma.
6. Påse at evt. pakning er korrekt monteret/Check that seal, if any, is correctly mounted/Dafür Sorge tragen, dass eine eventuelle Dichtung korrekt montiert ist/Vérifier que le joint d'étanchéité du carter, s'il existe, est correctement placé.

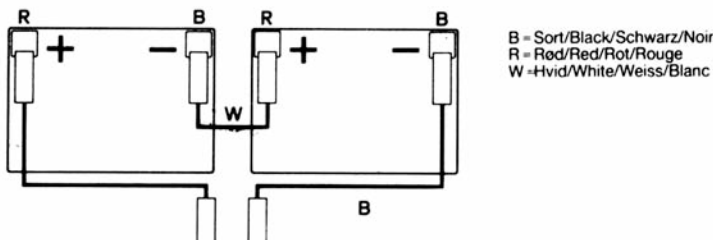


FIG. E



Activating the Mechanical Emergency Release

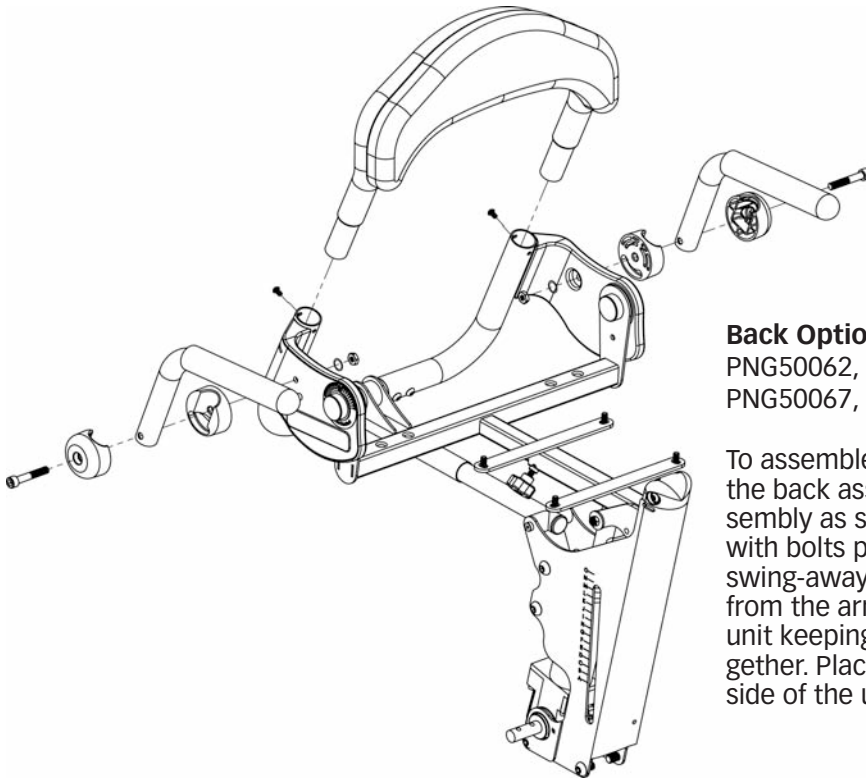
All Altimate Medical electric lift products are equipped with a mechanical release to be used in emergency situations.

⚠ CAUTION: Using the emergency mechanical release as the primary means to return to the seated position can cause damage to your unit. Only use the mechanical release in emergency situations.

FIG. E- The release allows the user to be lowered to a seated position in the unlikely occurrence of the battery losing charge while the user is in a standing position. The actuator only retracts if the release is pulled and there is weight on the seat. The release is located on the left side of the seat and is signified by a red tag with the word "EMERGENCY".

1. To activate the emergency mechanical release pull out the quick release pin located on the left side of the seat.
2. Squeeze the handle and if necessary, push down on the seat.

Option Assembly



Back Option

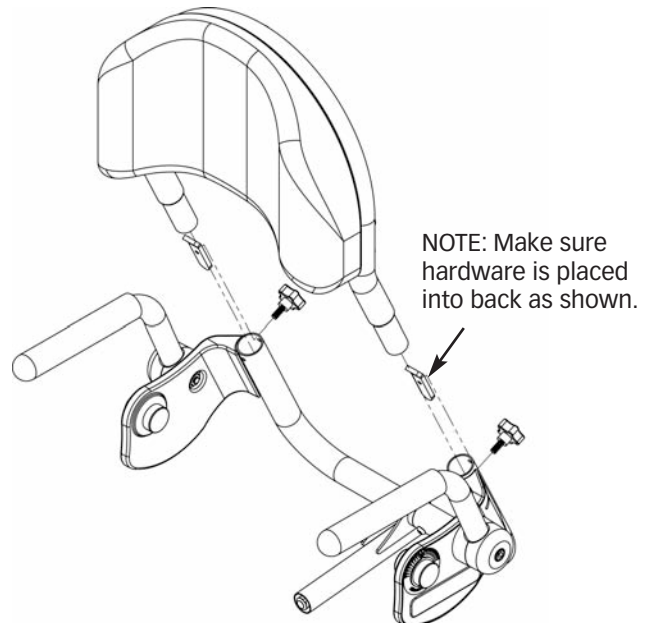
PNG50062, PNG50066,
PNG50067, PNG50068

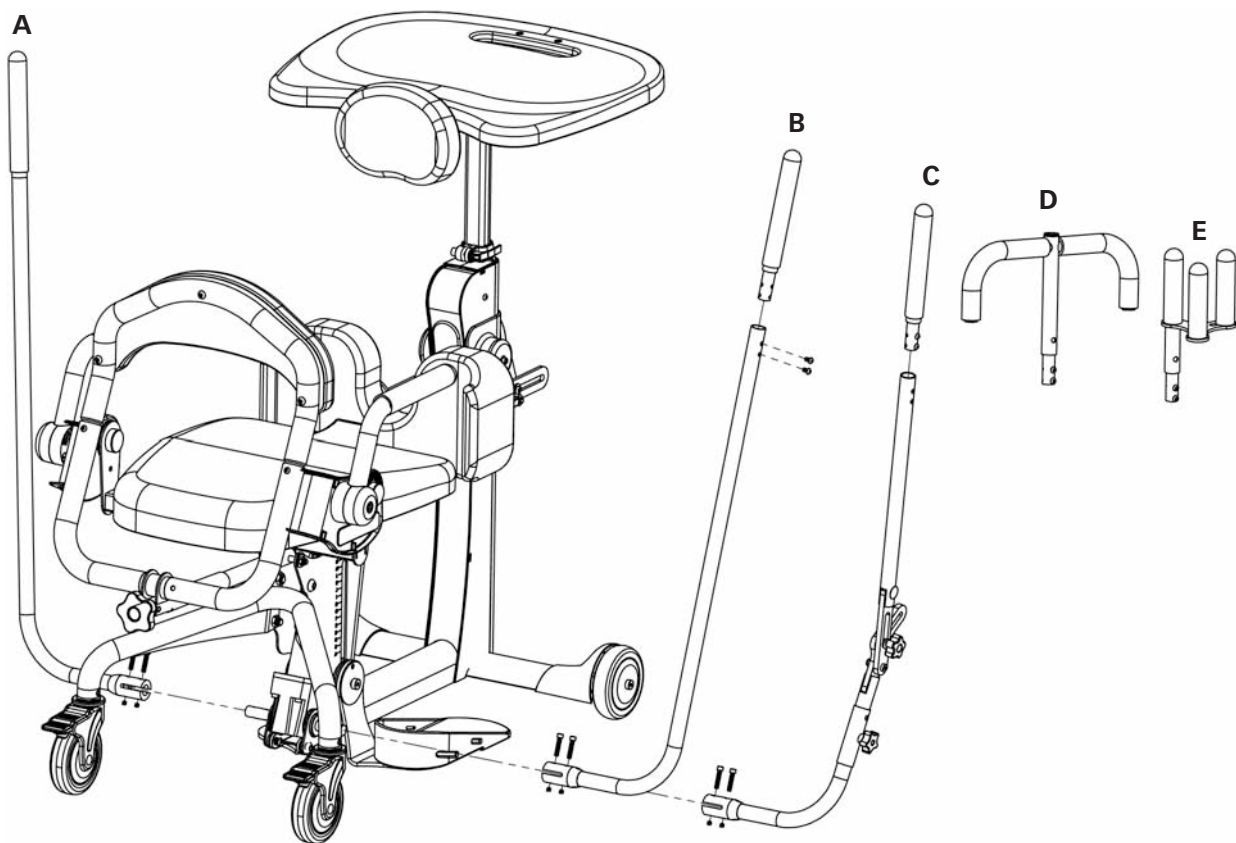
To assemble your back option, slide the back assembly into the seat assembly as shown. Tighten securely with bolts provided, then add the swing-away arms. Remove the nut from the arm. Place the arm onto the unit keeping the arm assembly together. Place nut onto bolt on the inside of the unit. Tighten securely.

Removable Back Option

PNG50171, PNG50172,
PNG50173, PNG50174

To attach the Removable Back to the unit, slide the back assembly into the seat assembly as shown. Insert hardware into back tubes with tabs facing upward and towards the back. Tighten securely with knobs provided.





Remove the nuts and bolts from the pump handle. Insert the handle onto the pump. Line up holes and insert bolts, place nuts onto bolts. Tighten securely.

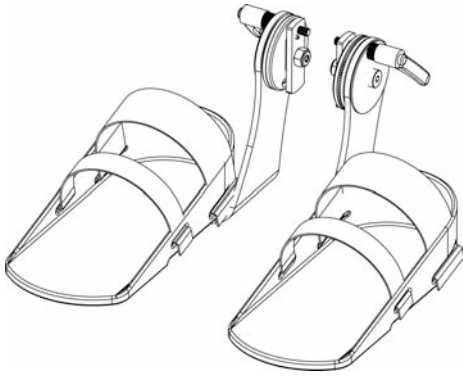
A
**Standard
 Actuator
 Left Handle**
 PNG50126
 PNG50389 (XT)

B
**Standard
 Actuator
 Right Handle**
 PNG50059
 PNG50389 (XT)

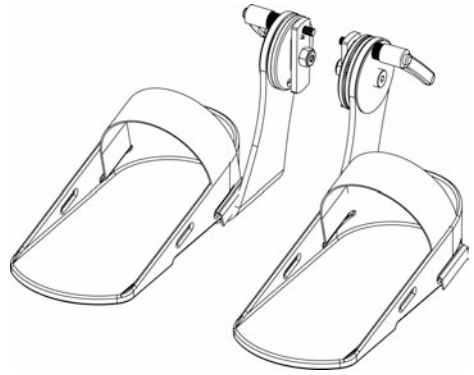
C
**Adjustable/
 Removable Handle
 Universal Left/Right**
 PNG50328
 PNG50349 (XT)

D
**T-Style
 Handle Extension**
 PNG50070

E
**Quad Grip
 Handle
 Extension**
 PNG50044

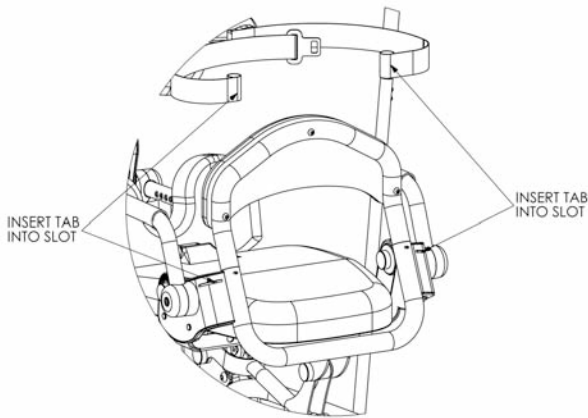


Secure Foot Straps
PNG30031

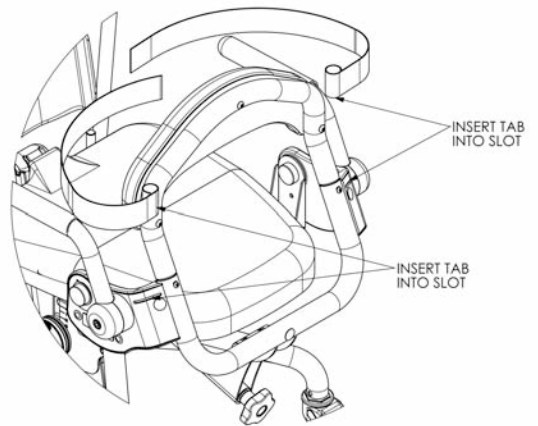


Standard Foot Straps
PNG30030

Airline Buckle Hip Belt
PNG30028

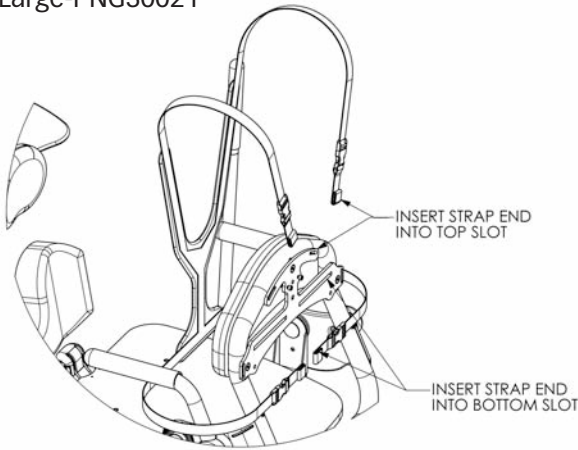


Velcro Hip Belt
PNG30029



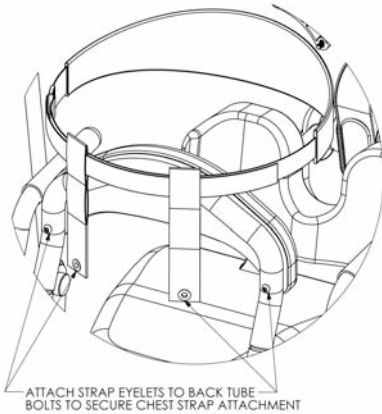
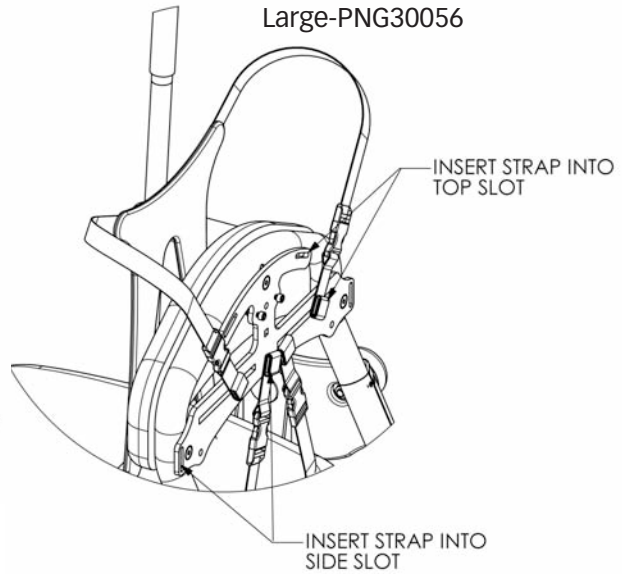
Y-Style Chest Vest

Medium-PNG30171
Large-PNG30021

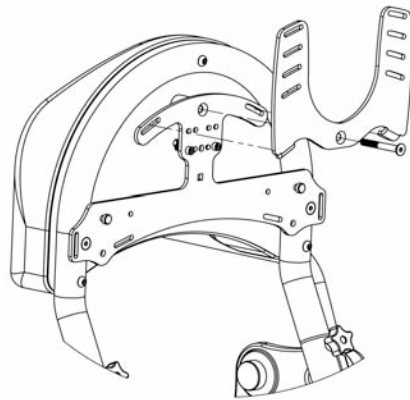


X-Style Chest Vest

Medium-PNG30170
Large-PNG30056

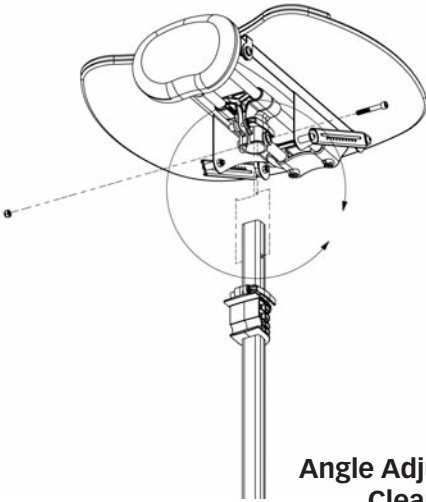


Chest Strap
Small-PNG50192
Large-PNG50193

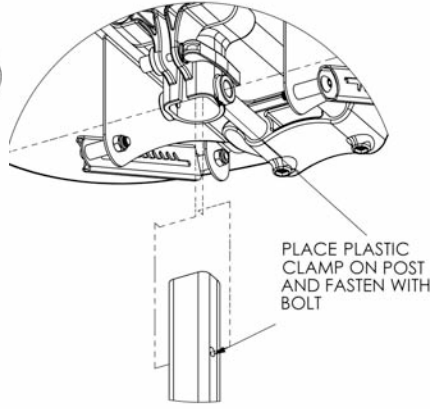


**High Mount Chest
Vest Bracket**
PNG11212

Place tray onto the tray post, insert nut into slot and bolt into hole, tighten securely.



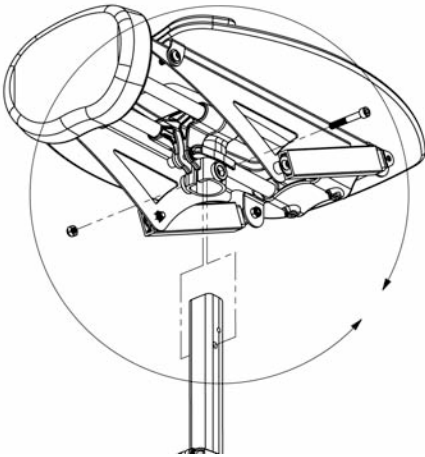
**Angle Adjustable Tray -
Clear Acrylic**
PNG50366



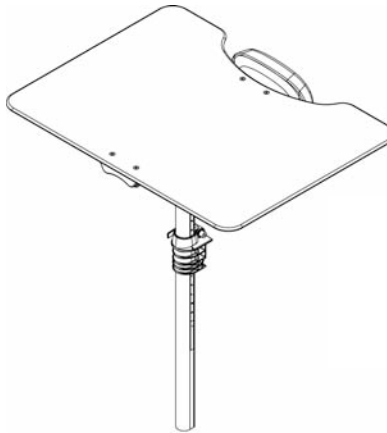
Remove bolts from chest pad and place onto tray. Tighten bolts securely.



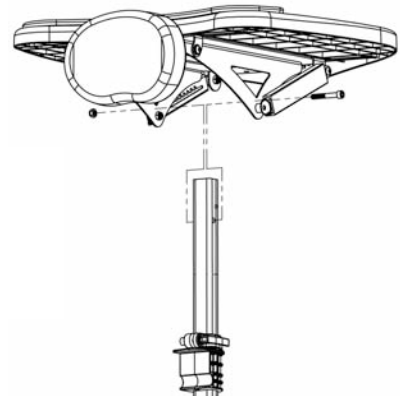
**Large Contoured
Chest Pad**
PNG30000



**Angle Adjustable Tray -
Clear Acrylic for Mobile**
PNG50327



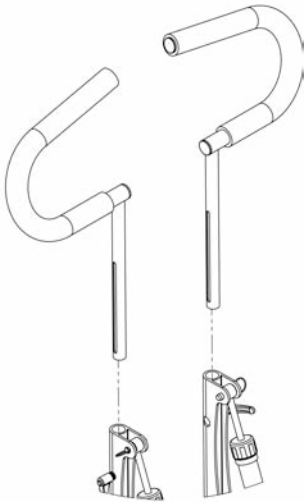
Oversized Tray
PNG50194



**Angle Adjustable Tray
Black Molded**
PNG50368

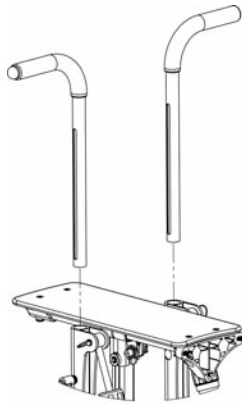
Glide Handles

Left Side-PNG10194
Right Side-PNG10196
(Evolv Large only)



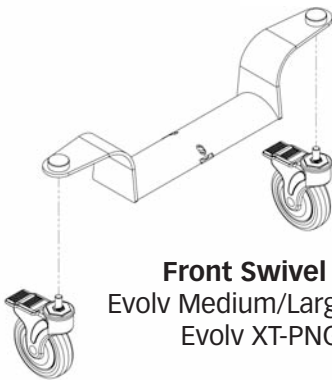
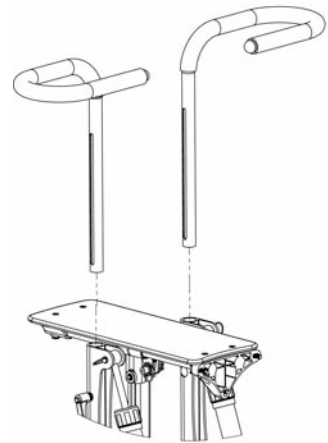
Glide Handles

PNG10177
(Evolv Medium only)



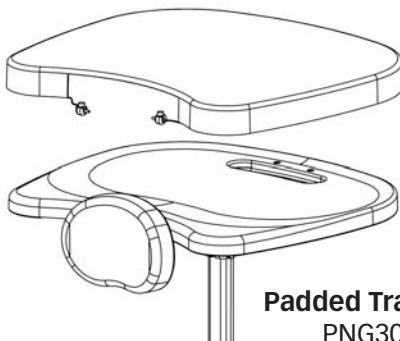
Glide Handle Extensions

PNG50251
(Evolv Medium only)

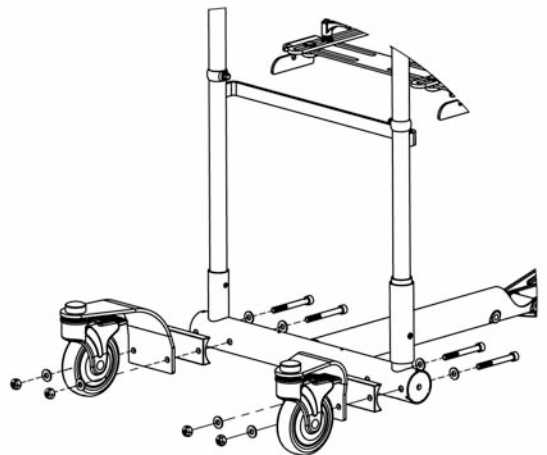


Front Swivel Casters

Evolv Medium/Large-PNG50314
Evolv XT-PNG50346



Padded Tray Cover
PNG30295

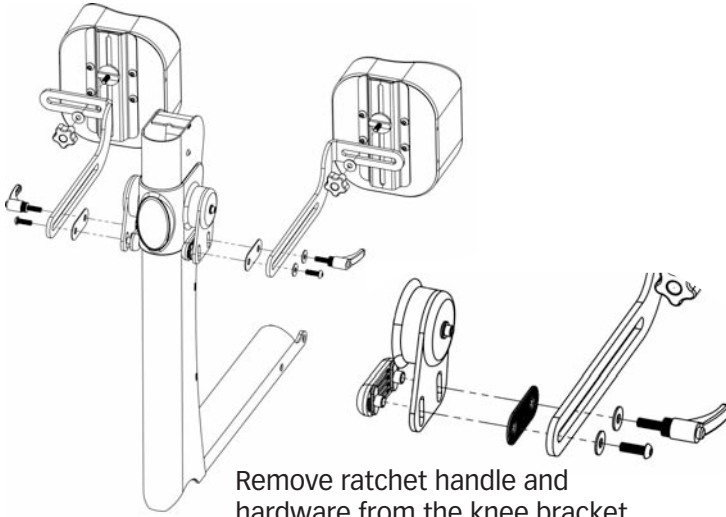


Front Swivel Casters for Swing-Away Front

Evolv Medium/Large-PNG50314

Place a block of wood under the unit to raise the caster frame. Place hardware onto the unit as shown- bolt, washer, frame, spacer, caster assembly, washer, than nut. Tighten securely.

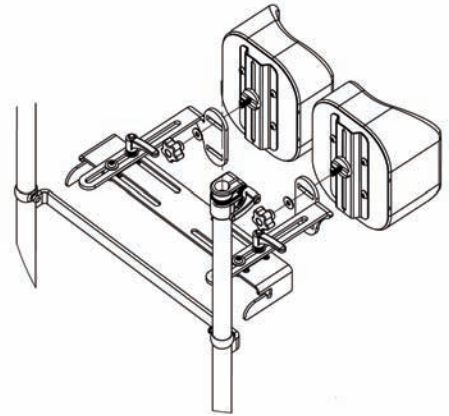
**Independent
Kneepads PNG50384**



Remove ratchet handle and hardware from the knee bracket. Place onto the column in the order as shown. Make sure spacer is placed between the two steel brackets. Leave the bolt just loose enough to allow bracket to slide freely.

**Independent Roho®
Kneepads PNG50385**

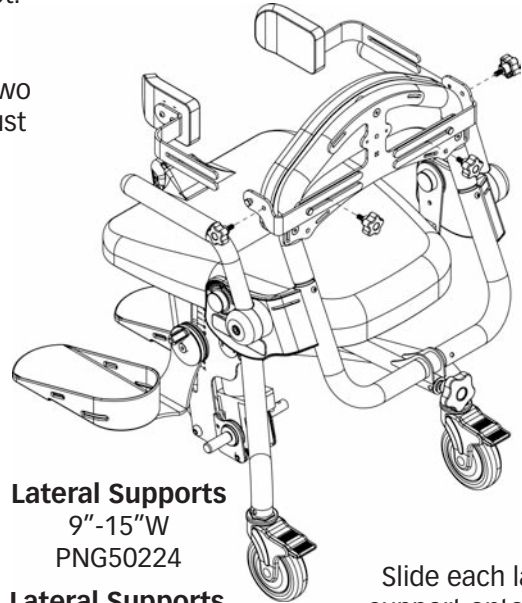
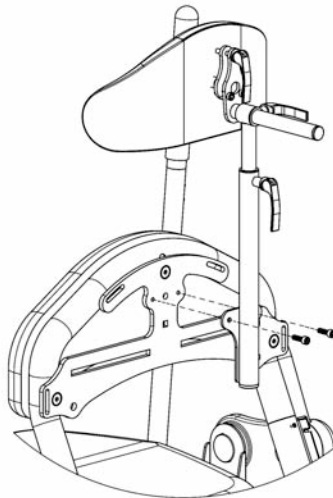
**Swing-Away Front
Independent Knee PNG50425**



**Head
Support
21"-30"H
PNG50240**

**Head
Support
24"-33"H
PNG50037**

Secure head support onto accessories mounting bracket using two bolts provided. Tighten securely.



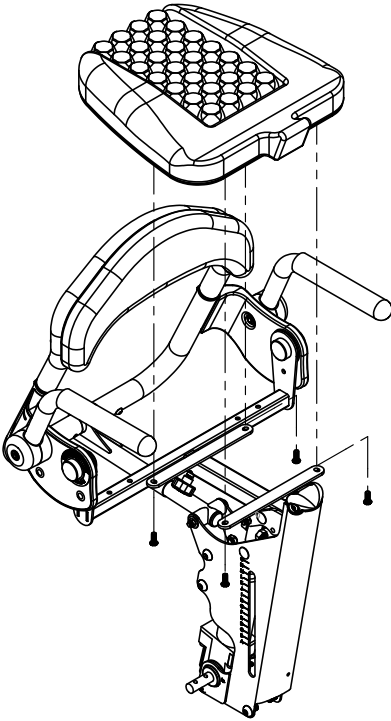
**Lateral Supports
9"-15"W
PNG50224**

**Lateral Supports
12"-18"W
PNG50176**

Slide each lateral support onto notch and knob on the accessories mounting bracket. Tighten securely.

Roho® Seat

Evolv Medium-PNG30183
Evolv Large/XT-PNG30023

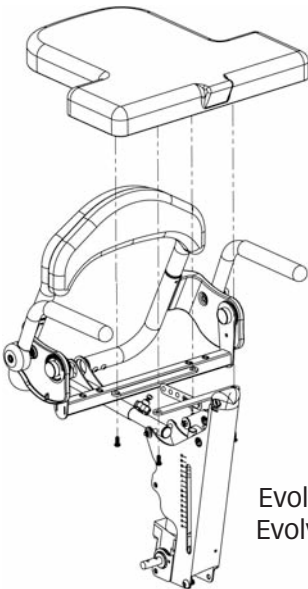
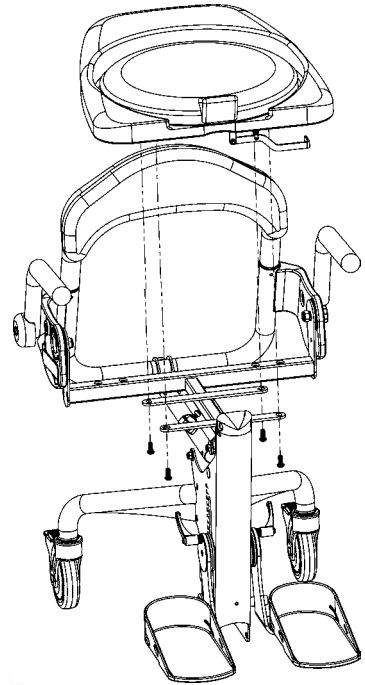


Install the seat onto the seat assembly after all the other options are added. Tighten the bolts securely.

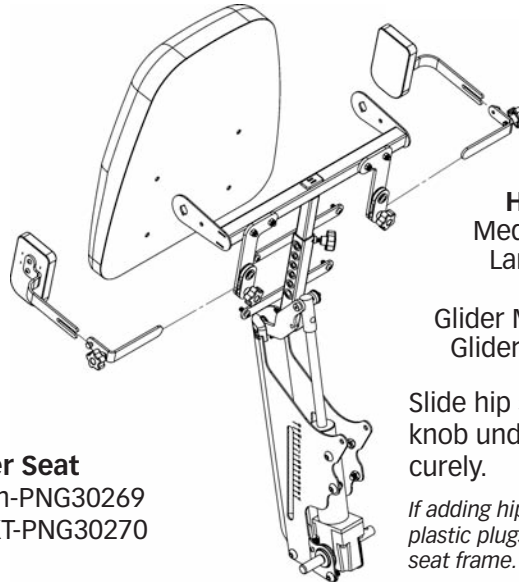
Rotating Seat

Evolv Medium-PNG50324
Evolv Large/XT-PNG50318

Push the lever under the seat to rotate. Ensure seat is locked into position prior to transferring.



Transfer Seat
Evolv Medium-PNG30269
Evolv Large/XT-PNG30270



Hip Supports
Medium-PNG50161
Large-PNG50198

Glider Medium-PNG50345
Glider Large-PNG50374

Slide hip supports onto notch and knob under seat. Tighten knob securely.

If adding hip supports off-unit, remove plastic plugs from top and bottom of the seat frame.

Adjusting Your EasyStand® Evolv®

Foot Plates


 **Caution:** Never reposition the foot plates while you are in the standing position.

FIG. G- Loosen the clamp connecting the foot bracket to the seat post to adjust the foot plate height and plantar/dorsi.

Position the height of the foot bracket so the user's knee is as close to the seat pivot as possible. The femur should be resting on the seat, at a slight downward angle.

Tighten the clamp securely.


 **Caution:** Avoid placing fingers in the adjustment slot.

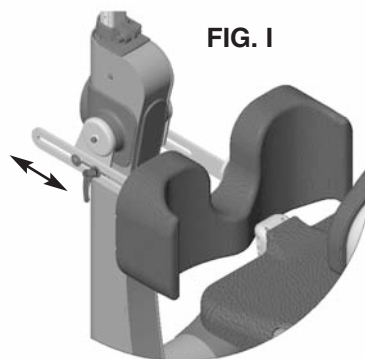
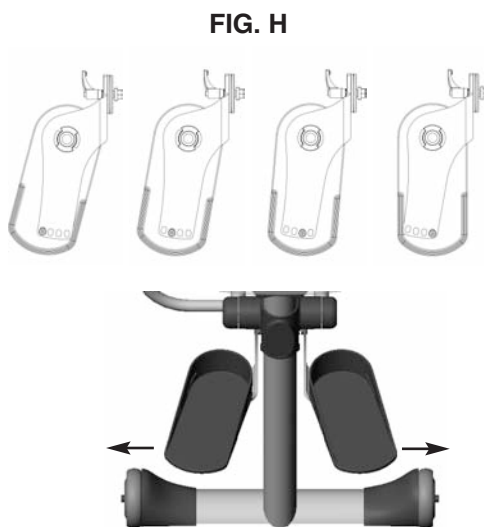
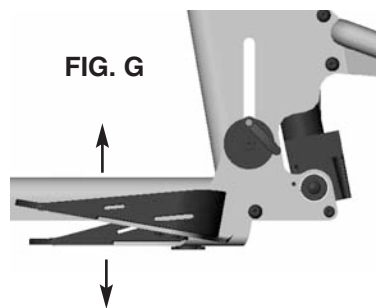
FIG. H- The foot plates can be abducted in 4 different positions (toe out), by removing the bolt underneath the front edge of the foot plate with a hex wrench and lifting up and turning the foot plate. Make sure the foot plate notch is positioned in one of the four slots.* Place the bolt back into the foot plate once the desired position is obtained.

**Available on the Evolv E3 if ordered with multi-adjustable foot plates.*

Kneepad

FIG. I- To adjust the kneepad depth, loosen the ratchet handle and move into position. Tighten ratchet handle once desired position is complete.

Position the kneepad so that the user's knee is centered in the kneepad and only 2 fingers fit between the back of the leg and the seat.



Hip Supports

FIG. J- The hip supports are optional and can be removed for transferring. The hip support width can be adjusted by loosening the knobs underneath the seat. Loosen the knob on the side of the unit to adjust the hip support width. Always tighten securely.

The hip supports have a number of attachment holes on the back of the pad which will allow for additional positions vertically and horizontally. The pads may also be bolted on at a straight, 90°, 180°, or 270° position.

Please check for fit and interference by bringing the unit to the full standing position and back to sitting again without a user seated in the unit, as the pads may not work perfectly in all positions.

Lateral Supports

FIG. K- The lateral supports are optional and can be removed for transferring. The lateral support width can be adjusted by loosening the knobs on the back of the unit. Always tighten securely.

The lateral supports have a number of attachment holes on the back of the pad which will allow for additional positions vertically and horizontally. The pads may also be bolted on at a straight, 90°, 180°, or 270° position.

Please check for fit and interference by bringing the unit to the full standing position and back to sitting again without a user seated in the unit, as the pads may not work perfectly in all positions.

FIG. J

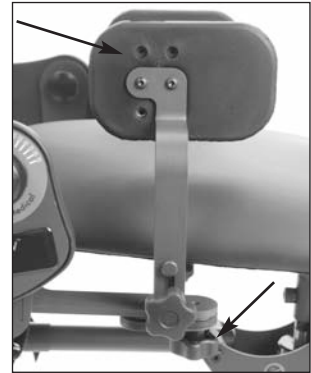
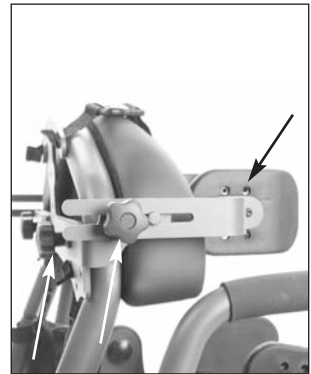


FIG. K



Seat Depth/Back Angle

⚠ Caution: These adjustments are only to be made while the unit is in the seated position.

FIG. L- Loosen the knob on the seat tube located under the seat. Do not unscrew seat depth knob all the way when adjusting the seat.

Depress the spring button and position the back so that the hip pivot is located as close as possible to the user's hips. Tighten the seat depth knob securely.

Note: Adjust back angle after each seat depth position.

FIG. M- To adjust the back angle, use the knob located on the following arm. Before standing, the back angle must be set so the indicator on the side of the unit is in green.

FIG. N- The back/seat angle locator is located on the side of the unit. When the unit is in the seated position, the green area indicates the back angle. Before standing, the indicator must be in green.

⚠ Caution: Before standing, the seat/back angle indicator must be in green. Failure to set the back angle in green prior to standing could cause the unit to lock in a standing position, causing damage to your unit.

Tray/Front Pad

FIG. O- To adjust the height of the tray/front pad, loosen the clamp located just above the front column. Lift the tray to the user's desired height level and tighten the clamp.

To adjust the depth of the tray/front pad, loosen the clamp located just below the tray. Move the front pad to the user's desired position and tighten the clamp.

⚠ Caution: While lowering the tray height, keep hands clear of the area underneath the tray.

FIG. L



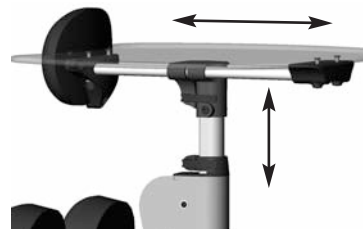
FIG. M



Green Area **FIG. N**



FIG. O



Shadow™ Tray Adjustments

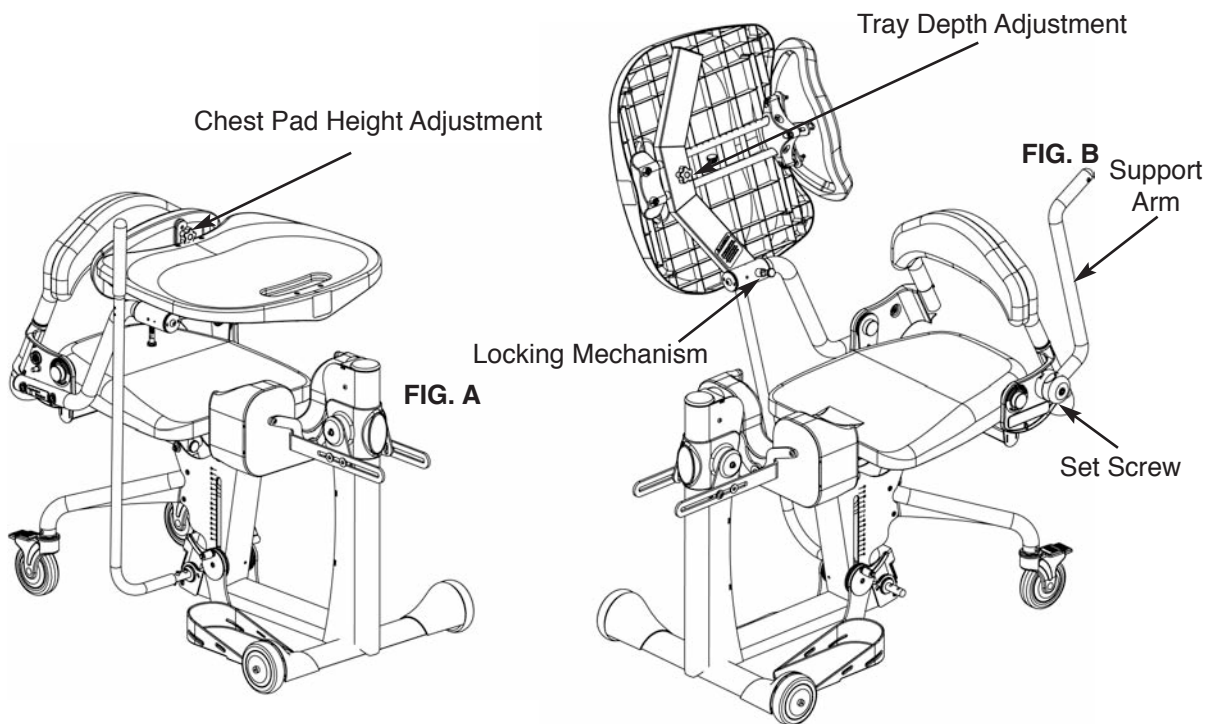


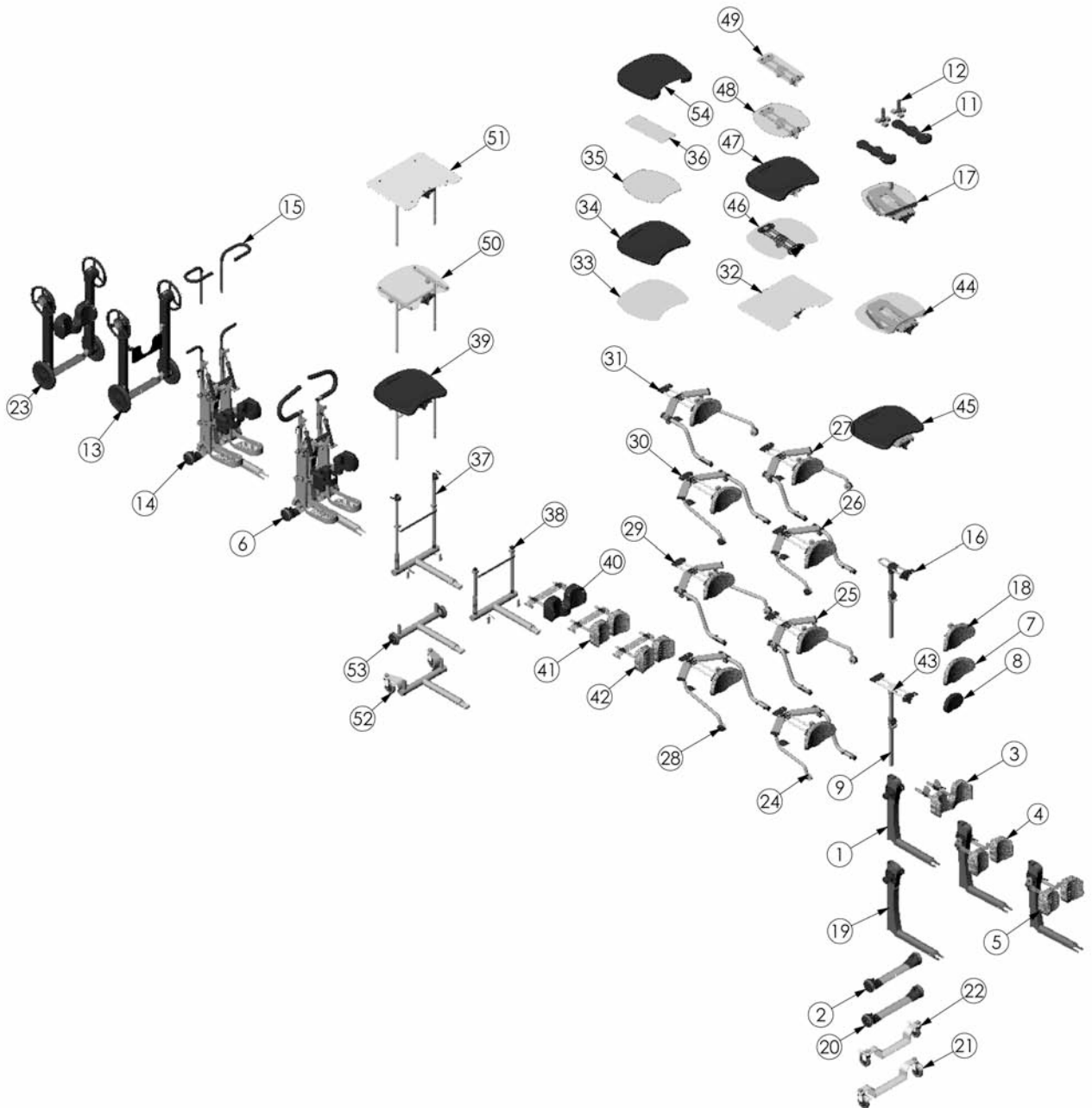
FIG. A- To adjust chest pad height, loosen knob and move to desired position. Tighten securely.

FIG. B- To adjust the depth of the front pad and tray, loosen the knob located below the tray. Move the front pad to the user's desired position and tighten the knob. To flip the tray up, pull out and twist the locking mechanism and lift. To adjust the level of the support arm use the set screw to set to the desired position.

⚠ **Caution:** After flipping up the tray, be certain to put the locking mechanism back into place. Failure to do so can cause the tray to fall suddenly.

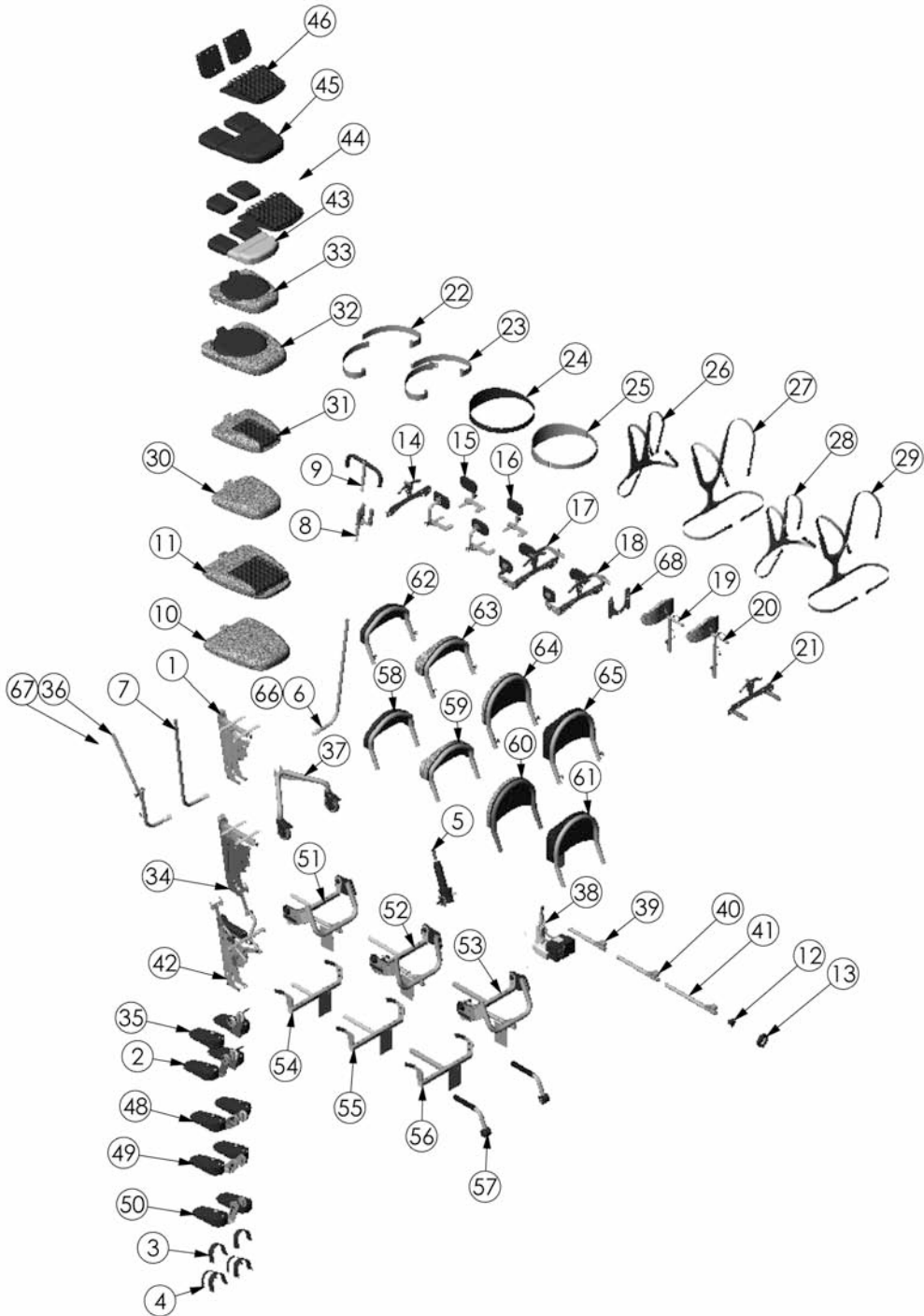
⚠ **Caution:** Avoid placing fingers near the tray tubes and chest height adjustment slots.

Evolv® Options & Parts Detail (front)



ITEM NO.	PART NO.	QTY.	NAME	ITEM NO.	PART NO.	QTY.	NAME
1	NG50008	1	FRONT FRAME STANDARD LG	48	NG50372	1	TABLE EVOLV MOBILE
2	NG50055	1	FRONT CASTER FRAME STANDARD	49	NG50370	1	TABLE GLIDER
3	NG50460	1	KNEE STANDARD	50	NG50456	1	TABLE ASSEMBLY CLEAR H-FRAME
4	NG50384	1	INDEPENDENT KNEES EVOLV	51	NG50458	1	TABLE ASSEMBLY OVERSIZED H-FRAME
5	NG50385	1	INDEPENDENT KNEES EVOLV ROHO	52	NG50483	1	ASMBLY H-FRAME SW FRONT EVOLV
6	NG50024	1	NEW GENERATION GLIDER ASSEMBLY	53	NG50488	1	H-FRAME STANDARD FRONT EVOLV
7	NG30000	1	PAD FRONT EXTRA SUPPORT	54	NG30295	1	PADDED TRAY COVER
8	NG30001	1	PAD CHEST STANDARD				
9	NG50309	1	TABLE POST ASSEMBLY				
11	5030	1	ARM TROUGHS				
12	NG50042	1	SUPPORT GRIP OPTION				
13	NG50025	1	MOBILE OPTION EVOLV				
14	NG50187	1	NEW GENERATION MEDIUM GLIDER				
15	NG50251	1	HANDLE ADJ U-SHAPE MEDIUM				
16	NG50295	1	ASMBLY NO-TABLE OPTION				
17	NG50327	1	ANGLE ADJUSTABLE TRAY MOBILE				
18	NG50331	1	ASSEMBLY ADJUSTABLE PAD BRACKET				
19	NG50205	1	FRONT FRAME XL EVOLV				
20	NG50207	1	FRONT CASTER FRAME STANDARD XL				
21	NG50346	1	ASMBLY CASTER FRONT EVOLV XT				
22	NG50314	1	ASMBLY CASTER FRONT EVOLV				
23	NG50322	1	MOBILE OPTION EVOLV XT				
24	NG50026	1	TABLE SHADOW 12" RH				
25	NG50125	1	TABLE SHADOW 12" LH				
26	NG50130	1	TABLE SHADOW 10" RH				
27	NG50231	1	TABLE SHADOW 10" LH				
28	NG50332	1	TABLE SHADOW 12" DEEP RH				
29	NG50333	1	TABLE SHADOW DEEP 12" LH				
30	NG50334	1	TABLE SHADOW 10" DEEP RH				
31	NG50335	1	TABLE SHADOW DEEP 10" LH				
32	NG50194	1	OVERSIZED TABLE ASSEMBLY				
33	NG20017	1	TABLE BASIC				
34	NG20103	1	TABLE MOLDED EVOLV				
35	NG20092	1	TABLE MOBILE				
36	NG20019	1	TABLE GLIDER				
37	NG50417	1	EVOLV H-FRAME RH				
38	NG50428	1	EVOLV H-FRAME RH SHADOW				
39	NG50418	1	TABLE ASSEMBLY BLK MOLDED H-FRAME				
40	NG50424	1	PAD KNEE STANDARD H-FRAME				
41	NG50425	1	PAD KNEE IND H-FRAME				
42	NG50426	1	PAD KNEE IND ROHO H-FRAME				
43	NG50341	1	TABLE SLIDE ASSEMBLY				
44	NG50366	1	ASMBLY TABLE TILT CLEAR				
45	NG50368	1	ASMBLY TABLE STANDARD TILT				
46	NG50248	1	TABLE EVOLV ACRYLIC				
47	NG50247	1	TABLE EVOLV STANDARD				

Evolv® Options & Parts Detail (rear)



ITEM NO.	PART NO.	QTY.	NAME	ITEM NO.	PART NO.	QTY.	NAME
1	NG50007	1	SEAT LIFT MEDIUM/LARGE	50	NG50391	1	FOOT ASMBLY LG
2	NG50015	1	FOOT ASMBLY LG	51	NG50441	1	ASMBLY BACK REST MEDIUM
3	ng30030	1	STRAPS FOOT OPTION	52	NG50442	1	ASMBLY BACK REST LARGE
4	NG30031	1	STRAPS SECURE FOOT OPTION	53	NG50443	1	ASMBLY BACK REST XT
5	NG50009	1	PUMP HYDRAULIC ASSEMBLY	54	NG50444	1	ASMBLY EVOLV NO BACK MEDIUM
6	NG50059	1	HANDLE PUMP STANDARD RT	55	NG50445	1	ASMBLY EVOLV NO BACK LARGE
7	NG50126	1	HANDLE PUMP STANDARD LH	56	NG50446	1	ASMBLY EVOLV NO BACK XT
8	NG50044	1	QUAD GRIP OPTION	57	NG50450	1	ARM REST ASSEMBLY EVOLV
9	NG50070	1	ACTUATOR HANDLE EXTENSION EVOLV LG	58	NG50066	1	BACK LOW FLAT
10	NG30006	1	PAD SEAT COUNTOURED LARGE	59	NG50062	1	BACK LOW W/CONTOUR (V908)
11	NG30023	1	PAD SEAT LG ROHO OPTION	60	NG50067	1	BACK HIGH FLAT(V909)
12	NG20122	1	KNOB FEMALE M12 X 1.75	61	NG50068	1	BACK HIGH W/CONTOUR (V910)
13	600002	1	WHEEL 100mm W/FOLD AWAY HANDLE	62	NG50171	1	BACK REMOVABLE LOW FLAT
14	NG50034	1	BRACKET ACCESSORY LG	63	NG50172	1	BACK REMOVABLE LOW CONTOURED
15	NG50161	1	HIP GUIDE ASSEMBLY MEDIUM	64	NG50173	1	BACK REMOVABLE HIGH FLAT
16	NG50198	1	HIP GUIDE ASSEMBLY LARGE	65	NG50174	1	BACK REMOVABLE HIGH CONTOURED
17	NG50224	1	LATERAL SUPPORT ASSEMBLY MEDIUM	66	NG50389	1	STD PUMP HANDLE XT
18	NG50176	1	LATERAL SUPPORT ASSEMBLY	67	NG50349	1	ADJ/REMOVEABLE HANDLE XT
19	NG50240	1	HEAD REST ASSEMBLY MED	68	NG11212	1	HIGH MOUNT CHEST VEST BRACKET
20	NG50037	1	HEAD REST ASSEMBLY LG (V915)				
21	NG50040	1	HANDLE PUSH ASSEMBLY				
22	NG30029A	1	STRAP SEAT BELT BLACK NG				
23	NG30028A	1	STRAP SEAT BELT BLACK W/BUCKLE NG				
24	51601	1	S. CHEST RESTRAINT				
25	51600	1	L. CHEST RESTRAINT				
26	NG30056	1	LARGE CHEST VEST EVOLV				
27	NG30021	1	VEST CHEST Y SHAPE ASSEMBLY LARGE				
28	NG30170	1	X-STYLE CHEST VEST MEDIUM				
29	NG30171	1	Y-STYLE CHEST VEST MEDIUM				
30	NG30012	1	PAD SEAT CONTOURED MEDIUM				
31	NG30183	1	PAD SEAT ROHO MEDIUM				
32	NG50318	1	SEAT SWIVEL LARGE				
33	NG50324	1	SEAT SWIVEL MEDIUM				
34	NG50209	1	SEAT LIFT XT				
35	NG50278	1	FOOT ASMBLY XT				
36	NG50328	1	HANDLE PUMP REMOVABLE/ADJ				
37	NG50058	1	SEAT REAR CASTER TUBE				
38	NG50321	1	ELECTRIC ACTUATOR ASM				
39	NG50436	1	ASMBLY FOLLOWING ARM MEDIUM				
40	NG50437	1	ASMBLY FOLLOWING ARM LARGE				
41	NG50438	1	ASMBLY FOLLOWING ARM XT				
42	NG50378	1	SEAT LIFT GLIDER				
43	NG50350	1	GLIDER SEAT ASMBLY MEDIUM				
44	NG50351	1	GLIDER SEAT ASMBLY MEDIUM ROHO				
45	NG50352	1	GLIDER SEAT ASMBLY LARGE				
46	NG50353	1	GLIDER SEAT ASMBLY LARGE ROHO				
48	NG50414	1	FOOT ASMBLY MEDIUM				
49	NG50355	1	FOOT ASMBLY LG				

Perfect Fit Guide

⚠ Caution: These adjustments are only to be made while the unit is in the seated position.

step one - measure

Before transferring into the stander, measure for approximate (A) seat depth and seat to (B) foot plate settings.

step two - seat depth

Use the above measurement (A) to adjust the seat depth on the stander. To adjust seat depth, loosen the knob under the seat (C). Depress the snap button on the adjustment tube while moving the back (D). Tighten the knob after adjusting.

For the Evolv: Use measurement "A" and measure from the front of the seat to the back. Adjust the seat depth until the proper measurement has been reached.

For the Glider: Use measurement "A" and measure from the center of the kneepad to the back. Adjust the seat depth until the proper measurement has been reached.

step three - back angle

After achieving your desired seat depth, rotate the back angle (E) adjustment knob so the (F) seat/back angle indicator is in the green area prior to standing.

Note: Repeat steps 2 and 3 for each color adjustment.

step four - foot plates

Use the above (B) measurement to adjust the foot plate height. Loosen the (G) ratchet handles on the foot plates to adjust height and plantar/dorsi. Tighten ratchet handles after positioning. The knees should be slightly lower than the hip (H).

step five - positioning

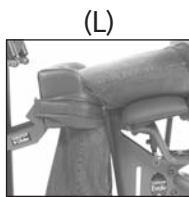
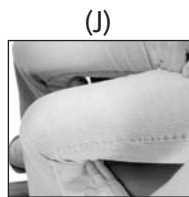
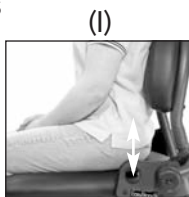
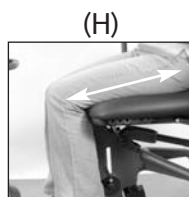
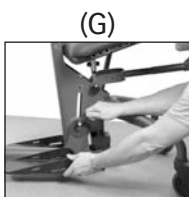
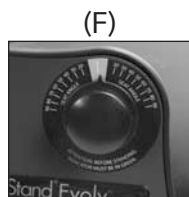
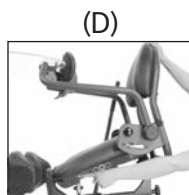
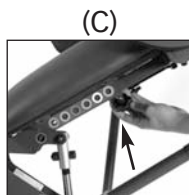
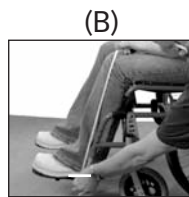
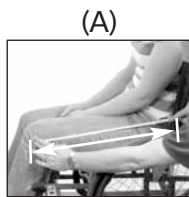
If you have a Glider, skip to step six.

Position the user's hips as close as possible to (I) stander's hip pivot. To determine correct positioning, only two fingers should fit between the front of the seat and the back of the knee (J).

step six - kneepad

For the Evolv: Adjust the (K) kneepad so it fits comfortably up to the knees.

For the Glider: Slide into kneepads (L) and secure the calf straps behind the knees.



Transferring

For certain individuals, transferring can be a task, especially at first. Like many things, transferring gets easier when you find a technique that works best for you, and practice. With assisted transfers, it is always a good idea to review the transfer strategy with the client before transferring, and talk them through the steps as they are happening. This will help reduce anxiety for the person being transferred. There are many different methods of transferring into the EasyStand Evolv stander, whether you transfer independently or need assistance. There are also a variety of options that can be added to the Evolv to help make your method of transferring more manageable. For proper transfer techniques, please seek professional advice from your therapist or physician.

⚠️ **Caution:** Always lock the wheel locks on your wheelchair and the casters on the EasyStand Evolv before transferring.

Methods of Transfers



Independent Transfer: A person with paraplegia or others who have good upper body strength can do a lateral transfer from their wheelchair to the seat of the stander. We have designed the Evolv base so that a wheelchair can be positioned at any angle from parallel to 90 degrees against the edge of the Evolv seat (the front wheelchair caster can even come underneath the front corner of the seat). The kneepads flip up and out of the way to give the person room to bring their legs up and position their feet. The kneepad does not lock in the upright position when transferring, do not grab the kneepad for support. When transferring out of the EasyStand, pump the seat up so that it is equal to or higher than the seat you are transferring back into.



Stand Pivot Transfer: A caregiver can assist a patient into the stander using a stand pivot transfer. The caregiver helping with the stand pivot transfer assists the person out of their wheelchair to standing, then turns or pivots, and sits the person down on the seat of the stander.



Patient Lift Device: Caregivers can assist people who have a higher level of disability by using a patient lift device, or an overhead ceiling lift to transfer in to the EasyStand. The rear legs of the EasyStand Evolv are designed to allow room for the lifting device to be used from many different angles. To make the transfer from a patient lift device go smooth, recline the back of the standing frame slightly. With some patient lift devices it may make the transfer easier to lift the Evolv foot plates up to a higher position, allowing the transfer device to slide closer to the base of the Evolv. Be sure to reposition the foot plates and back prior to standing.

Standing

Contraindications

Standing/weight bearing may not be an option for the following reasons:

If the user has severe contractures or range of motion issues

If the user has severe osteoporosis or brittle bone disease

If the user has postural orthostatic hypotension

If the user has dislocated joints

⚠ **Caution:** Consumers considering a standing program should consult with a qualified physician and medical team to determine what indications or contraindications exist for them. Clinicians must use best clinical judgment to evaluate the user's needs.

Implementing a standing program must be determined on an individual basis by the user's team (Physician, Physical or Occupational Therapist, Rehab Technology Professional/Supplier and the consumer). Consider all indications and contraindications for each client individually to determine if standing/weight bearing is appropriate for them.

To Stand

⚠ **Caution:** Always consult with your physician or therapist before starting a standing program.

⚠ **Caution:** Before standing, the seat/back angle indicator must be in green. Failure to set the back angle in green prior to standing could cause the unit to lock in a standing position, causing damage to your unit. Do not use the seat angle dial indicator as a reference while in the standing position. **It is only to be used as a guide while adjusting the seat depth & back angle in the seated position.**

Position your feet and the knee support and secure any straps and side supports. Push the pump handle forward with 15-25 long strokes. The seat will slowly rise into the standing position. Remember that you can stop the seat anywhere between the sitting and standing position.

⚠ **Caution:** Never make adjustments to the EasyStand while a user is in the standing position.

To Return to the Seated Position

Move and hold the pump handle toward the rear until you have reached your desired position. The seat will slowly lower until you release the handle. If you have difficulty getting the seat to lower, you may not be applying the proper pressure to the handle (try less or more pressure). If the unit is in the standing position and unoccupied, apply moderate pressure to the seat of the unit while holding the pump handle back. Do not use excessive force.

⚠ **Caution:** When lowering the unit from standing to sitting, keep all hands and feet clear of the mechanism beneath the seat.

Maintenance

Cleaning/Disinfecting

- Clean the EasyStand Evolv with a mild non-abrasive disinfectant or soap and water.
- Check your EasyStand periodically to make sure that all nuts, bolts and adjustable parts are tightened securely, failure to do so may result in parts falling off which may cause a choking hazard for children.
- Do not use bleach or any other bleach based cleaners on EasyStand standing frames.
- Disinfecting wipes are safe to use on metal and non-porous surfaces.
- Use a damp sponge with mild soap or a mild non-abrasive disinfectant.
- Spot clean Neoprene with mild soap and water.
- Neoprene covers may be removed and hand washed with water and air dried. Always use care when removing and replacing the covers.

Urethane Coated Fabrics (Dartex or generic equivalent)

- The recommended cleaning and disinfection instructions should be followed whenever possible to avoid damage to the PU membrane which could lead to premature failure of the cover.
- For superficial dirt use a disposable wipe and a warm solution of neutral detergent. Do not use abrasive cleaners.
- Disinfect using a 0.1% sodium hypochlorite solution (1000ppmm chlorine), stronger bleach solutions not recommended.
- Thoroughly clean off any cleaning solutions with clean water and dry fabric before re-use or storage.
- Do not iron.

Hydraulic Actuator Maintenance

- An initial break-in period of approximately 50-100 full cycles is normal for the hydraulic unit. You may experience a squeaking or a less-than-smooth forward stroke. The very close fit of its mating parts gives each pump its own break-in "feel" and signature sound.
- If the pump is leaking oil, call your local EasyStand Supplier for a replacement. The serial number on your EasyStand will be needed.
- Do not exert excessive force on the pump handle or use the pump handle to move your EasyStand around. This may cause damage to the pump handle and/or the pump mechanism and will void any warranty.
- User maintenance is not required or recommended on the hydraulic pump. Never apply lubricant, household oil, grease, or a similar product to any part of the unit. Some compounds may react with the seals used in the manufacture of this product. This may damage the unit and will void any warranty.
- Do not exceed the rated weight limit.
- If your EasyStand was shipped to you during or exposed to a temperature of less than 50 degrees Fahrenheit, you must allow the hydraulic unit to warm up to room temperature before any use. Failure to follow this step could damage the unit and render it inoperable.
- Once you reach the standing position your pump may settle back one stroke, this is normal for your pump to do this.
- It is sometimes not necessary to push the pump handle all the way back to lower the seat. If you have difficulty getting the seat to lower, try pushing the handle back into different positions.
- If the unit is in the standing position and unoccupied, it is necessary to apply pressure to the seat of the unit while pushing the pump handle back.

Purging The Hydraulic Actuator

The hydraulic pump on your EasyStand has a high probability of getting air trapped in the internal workings of the unit. This is usually caused by in-transit handling and is quite normal. Please follow the simple steps below, as manual hydraulic systems may never operate properly unless the entrapped air is correctly purged. The unit must be at room temperature for this procedure.

1. Pump the handle until the full extension is reached.
2. Now continue pumping the handle slowly for an additional 10 strokes. This will properly purge the system.

Troubleshooting

My EasyStand will not go into the full standing position:

As of June 2011 your EasyStand (manual hydraulic pump only) is equipped with a safety feature to prevent over travel of the lifting/following arm mechanism in the event that the back angle is improperly adjusted to exceed the recommended angle. You will not be able to reach full standing unless the back angle is adjusted within the green range at the seated position. Refer to p. 29 for proper instructions.

My EasyStand will not release properly from the standing to the seated position:

- Try pushing the handle back into different positions; do not push the pump handle back hard into one position.
- Weight on the seat is needed to get the unit to descend properly; therefore if the unit is unoccupied or the user is leaning forward and not enough weight is distributed on the seat, you must apply pressure with your hand to the back of the seat while pushing back on the pump handle.
- Ensure that the back angle is adjusted properly, if the back angle is too far forward or back or unit may not descend properly. Adjust the back angle back towards 90 degrees so it will release properly.

My hydraulic does not work smoothly, it is not leaking oil just acting inconsistent:

Without anyone in the unit, pump it all the way up to standing. Once the seat is in the standing position, pump 12 to 15 times to bleed any air out and circulate fluid. Pull back on the pump handle to bring the seat back to the seated position, you may need to help pull down on the seat because of no weight in the stander. In most cases this will get the pump operating again consistently.

My lower leg length is too short for the stander:

Evolv Large: Replace large foot brackets with medium foot brackets.

My Evolv seat won't go all the way down to the seated position:

Look closely at the four main frame bolts that attach the front end to back end. Most commonly the kidney shaped pump mount brackets are not secured correctly. They are positioned above the frame bolts with an exposed hole where the bolts should go through. This angles/raises the pump and won't allow the unit to go to the complete seated position. Remove main bolt and make sure they go through both the front frame, the back frame and the pump mount brackets.

Evolv Pow'r Up Lift:

Make sure the cords are fully seated in the battery box. The grommet ring on the cords make it a very tight fit. Unplug the cords and plug them back in pushing in hard.

Evolv with Swing-Away:

Remove quick pin and simply lift the collar on the opposite side past the frame and swing out.

Shadow Tray is not level:

If Shadow Tray is leaning forward or back, adjust the back angle. If the tray is leaning from right to left, adjust the set screw on the support arm to level the support arm.

How to use your rotating seat:

Push up on the lever under the seat and rotate the seat right or left 90° or until it locks into position. Transfer to seat and push up on the lever to unlock and rotate to a forward position.

How can I tell if I have an Evolv Medium or Large:

Measure the seat. Front to Back: Large is 22"; Medium is 18"

How do I order parts:

Contact your local supplier and have the serial number ready. If you don't know who your supplier is, call Altimate Medical Customer Service (800) 342-8968 and have the serial number ready.

Limited Warranty

This warranty is extended only to the original purchaser/customer (or supplier non consumer who does not buy or resell). Altimate Medical, Inc. warrants the EasyStand Evolv/Glider against defects in materials and workmanship as listed below.

- Steel Frames - 5 year warranty
- Hydraulic Actuator - 2 year warranty
- Upholstered components, plastic pads, rubber parts, painted surfaces, bearings and other parts not specifically identified above - 90 day warranty

Warranty on Electric lift option components is as follows:

- Actuator & Hand Pendant – 2 year warranty
- Control Box & Battery – 90 days
- Battery Charger – 90 days

The warranty period commences for the consumer on the purchase date from the seller/supplier. If the product is rented or otherwise not sold to a consumer, the warranty period commences from the date of invoice from Altimate Medical. Any product proven to Altimate Medical satisfaction to be defective and within warranty period, shall be repaired or replaced at Altimate Medical's option.

ALTIMATE MEDICAL SOLE OBLIGATION AND YOUR EXCLUSIVE REMEDY UNDER THIS WARRANTY SHALL BE LIMITED TO SUCH REPAIR AND/OR REPLACEMENT. This warranty does not include any labor charges incurred in replacement parts installation. Freight charges to factory are at the expense of consumer to seller. Return freight charges will be prepaid by Altimate Medical. For warranty service, please contact the authorized supplier from whom you purchased your Altimate Medical product. In the event you do not receive satisfactory warranty service, please write directly to Altimate Medical at the address below. Do not return products to our factory without prior authorization.

LIMITATIONS AND EXCLUSIONS: The foregoing warranty shall not apply to serial numbered products if the serial number has been removed or defaced. Products subject to negligence, abuse, misuse, improper operation, improper maintenance, improper storage, or damages beyond Altimate Medical's control are not covered by this warranty, and that evaluation will be solely determined by Altimate Medical. Products modified without Altimate Medical's express written consent (including, but not limited to, modification through the use of unauthorized parts or attachments) are not covered by this warranty. The warranty shall not apply to problems arising from normal wear or failure to follow instructions. The warranty will be void if parts not manufactured by Altimate Medical or parts not complying with original equipment specifications are added to an Altimate Medical product.

THE FOREGOING WARRANTY IS EXCLUSIVE AND IN LIEU OF ALL OTHER EXPRESS WARRANTIES. ALTIMATE MEDICAL SHALL NOT BE LIABLE FOR ANY CONSEQUENTIAL OR INCIDENTAL DAMAGES WHATSOEVER.

Altimate Medical maintains a policy of continual product improvement and reserves the right to change features, specifications, and prices without prior notification. Check with Altimate Medical for latest information.

Altimate Medical, Inc., P.O. Box 180, 262 W. 1st St., Morton, MN 56270 USA
Phone: 507•697•6393 Fax: 507•697•6900 800•342•8968
www.easystand.com info@easystand.com

Environmental Issues

After life of the product:

- Recycle in accordance with the recycling codes of your country.
- Recycle all metal parts.
- Plastic parts should be disposed of or recycled according to the directive in your country.
- Please inquire at your local disposal management and recycling center for local codes.
- Return hydraulic actuator or damping cylinder (Pow'r Up only) to Altimate Medical, Inc.

AltimateMedical

P.O. Box 180
262 West 1st St
Morton, MN 56270 USA
Toll Free: 800.342.8968 or 507.697.6393
Fax Free: 877.342.8968 or 507.697.6900
email: info@easystand.com
www.easystand.com



Standing technology should only be used under the guidance of a physician with recommendations for standing program protocol and any medical precautions. Standing programs should be monitored by the attending therapist. Altimate Medical maintains a policy of continual product improvement and reserves the right to change features, specifications, and prices without prior notification. Check with Altimate Medical for latest info. FORM MANAEVM 0811 Copyright © 2011 Altimate Medical, Inc. All rights reserved. Printed in the U.S.A.