

EASYStand[®]

magician

Comfy Seat Owner's Manual



Table Of Contents ---

Introduction 2

Safety Precautions 3

Assembly 4-9

Adjustments 10-17

Parts & Options 18-28

User Log 29-30

Specifications 31

Limited Warranty 32

Introduction

Congratulations on your purchase of the EASYSTAND 7000 Magician Comfy Seat! We at Altimate Medical, Inc. have designed the EasyStand 7000 with your comfort and happiness in mind.

This manual is an integral part of your standing system and should be read completely and thoroughly by anyone that will be operating the unit.

This will ensure the EasyStand 7000 is assembled properly and used in the most beneficial manner.

AMI recommends an attendant be present when the EasyStand 7000 is being used.

Should any problem arise that you cannot solve by reading this manual, please contact your local dealer or call Altimate Medical, Inc. at 1-800-342-8968 or 507-697-6393. You can also email us at info@easystand.com.

It is important and necessary that you periodically inspect your EasyStand 7000 to assure it is in safe operating condition. Minor adjustments can be made by the operator. However, replacement of worn parts, major adjustments, or any other important corrections should be handled by an authorized dealer. Use only replacement parts approved by Altimate Medical, Inc., to ensure safety and performance.

The EasyStand 7000 should not be used by individuals with paralysis of the upper and/or lower body who have been confined to a bed or wheelchair for an extended period of time without first consulting a qualified physician.

Failure to consult a qualified physician prior to using the EasyStand 7000 could lead to severe medical problems. We recommend that a good standing program be established and supervised by a qualified registered physical therapist.

Date Purchased _____ Serial # _____

Safety Precautions ---

The EasyStand 7000 is designed to accommodate *most* individuals from 3'-4'6" (91-137cm) and up to 100 lbs (45kg). If the child or the individual does not meet these specifications and has not been properly fitted by a qualified therapist or physician, Altimate Medical, Inc. does not recommend the use of the EasyStand 7000.

Altimate Medical, Inc. recommends you consult with your Physician or Therapist prior to starting a standing program.

Check your EasyStand periodically to make sure all nuts, bolts, and adjustable parts are tightened securely.

Never reposition the foot holders while you are in the standing position. Consult with your therapist or doctor for proper foot placement and angle.

If the unit was exposed to temperatures of less than 50°F (23.5°C), you must allow the unit to warm up to room temperature before use.

Use body weight to lower the seat. Do not use excessive force.

The EasyStand is for indoor use only.

Extreme movement in the EasyStand may cause it to tip.

If you ordered casters or the mobile option, you should always put the casters and/or wheels in the locked position before transferring into the EasyStand. Use these locks whenever you want to keep the EasyStand stationary.

Do not use the mobile option on ramps or uneven floors.

Assembly

1 Remove the parts from the box and examine them. You should have the base, seating system, table, footrests, one bag with front pad, wrenches, the owner's manual, and one bag with knobs, seating system bolts, caps, and quick pins. Also check for any special options you ordered.



2 Attach the footrests to the seating system legs. The knobs must face outward.



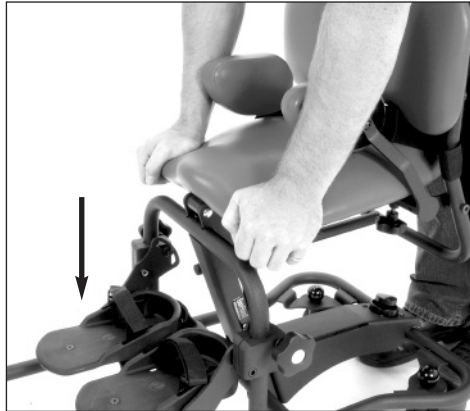
3 Move the footrests halfway up the legs and tighten the locking knobs.



4 Place the seat assembly onto the base as shown. Tip the seat assembly forward and insert seating system tab into the slot.

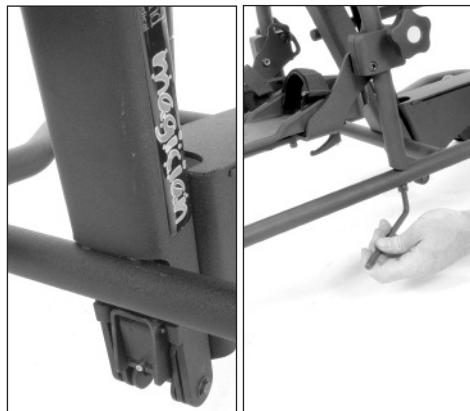


5 Push firmly on front of seat assembly to place the seating system tab into the slot.

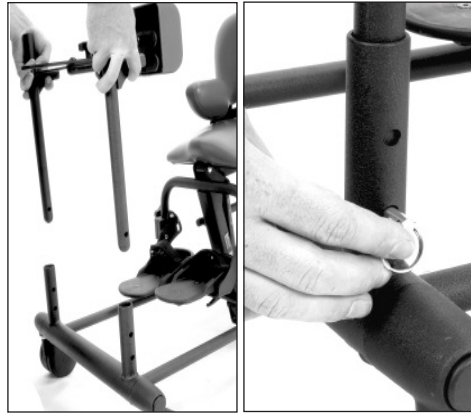


6 Make sure tab fits firmly into the frame slot. Insert the bolts from the bag to secure the seating assembly to the base. Tighten securely.

Warning: Failure to bolt unit securely will make the unit unstable and dangerous to the end user.



7 Insert the H-frame into the base verticals. Place pins into bottom holes to secure H-frame.



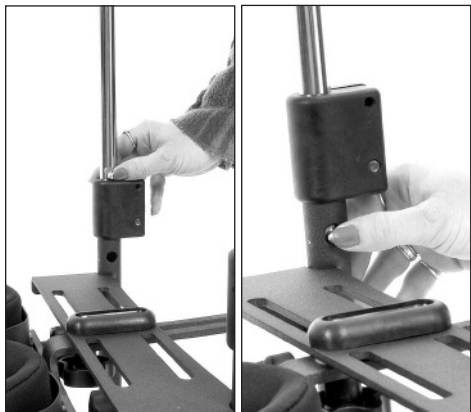
8 Insert the table into the verticals on the H-frame.



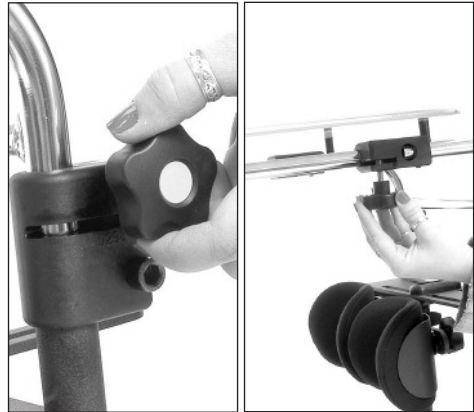
9 Depress the spring button to continue installation.

Note: *There is only one spring button.*

The spring button will stop in the maximum height position. Depress the spring button again to lower the table.



10 Screw the five-point knobs into the table clamps on both sides and under the table on both sides.



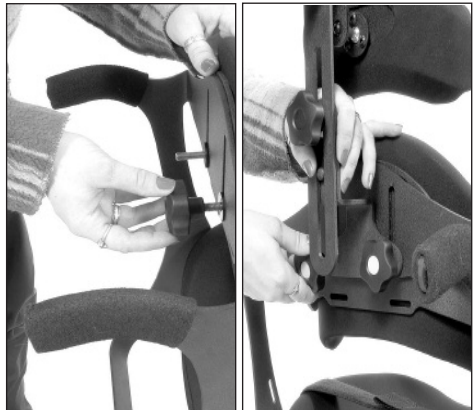
11 Remove the hex bolts from the front pad and attach the pad to the mounting bracket on the table.

***Note:** Mounting pad with the taller end up, as shown, will allow more leg room in the seated position. However, it may be inverted for your support preference.*



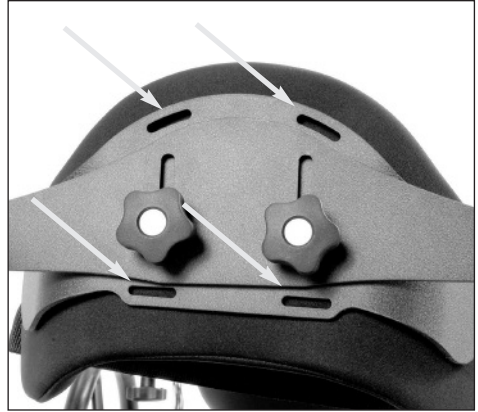
12 To attach the optional headrest, remove both five-point knobs behind the back. Leave the back and the washers in place.

Affix the headrest and tighten the knobs securely.

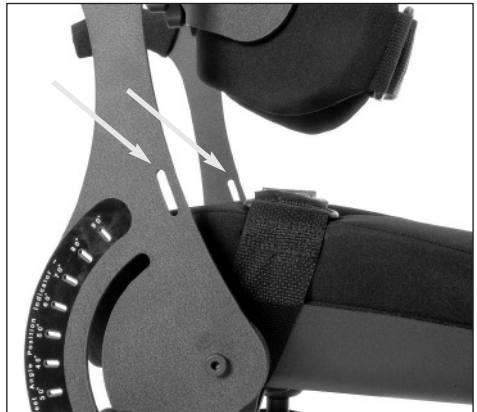


13 If you ordered the optional chest vest, it attaches to the back using the four slots shown here.

Insert the strap ends into the preferred slots. Be certain that all straps “lock” securely into place.



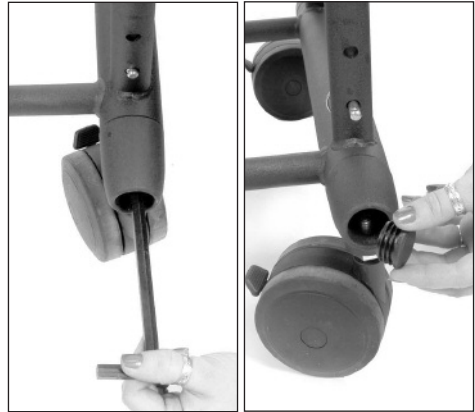
14 The bottom straps of the chest vest attach to the slots of the back bracket shown here.



15 When properly installed, the chest vest should not have to be readjusted when the user goes from sitting to standing.



16 Place caster adapter into base. Tighten securely. Insert the endcaps into the front of unit. Tap in with a rubber hammer.



17 Congratulations! Your Magician Comfy Seat is assembled. The picture shown includes the optional headrest.



18 If you ordered the mobile option, refer to the additional assembly instructions you received.

The mobile option allows the user to move independently while in the standing position. It can be added to the Magician Comfy Seat at any time.



Adjustments

To enjoy all the benefits of the EasyStand Magician Comfy Seat it is important that the unit be adjusted properly for the user.

Important: Always have your Doctor, Therapist or Dealer assist you in the initial fitting and adjustment of your EasyStand.

Seat Depth and Back Angle

To adjust the seat depth and back angle be sure the secondary locking knob is loose.

Important: This knob is a secondary safety locking knob only; it must be loosened to go into the standing position. If you are not in a multi-user environment, this knob can be left in a loosened state at all times.

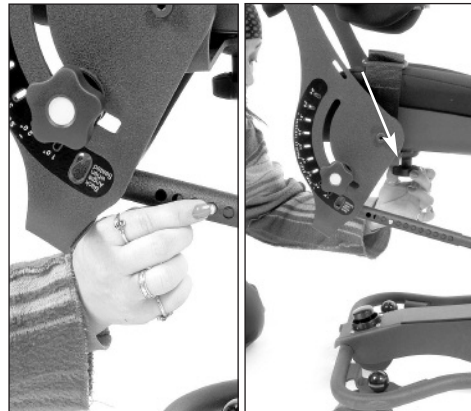


To adjust the seat, depress the spring button on the adjustment tube and move (up to three increments) in the intended direction.

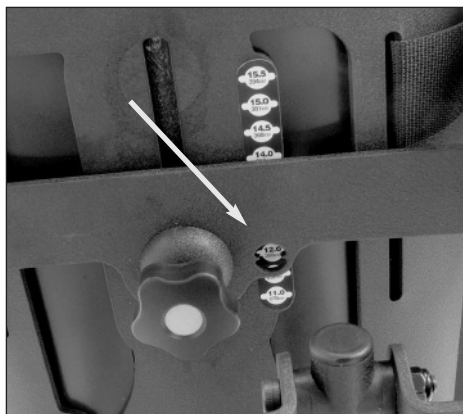
Loosen the seat depth knob and slide the seat in the intended direction.

Repeat steps until the seat is in proper position.

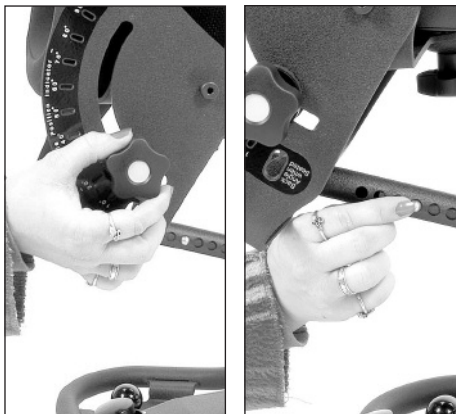
Tighten the seat depth knob securely after desired position is reached.



For your reference, there is a seat depth indicator window located under the seat.



To adjust the back angle, be sure the secondary locking knob is loose. Depress the spring button on the adjustment tube and move the back in the desired position.



Adjust the back so the green angle indicator shows in the indicator window in the seated position.

Note: Three angles (-5° , 0° , $+5^{\circ}$) are available for each seat depth position.



Footrests

Consult with your Therapist or Doctor for proper foot placement and angle.

Footrests should be raised/lowered so the knee is as close to the seat pivot as possible.

To adjust the footrests, loosen the five-point knob on the side and move the footrest to the desired position. This knob will allow adjustment in height and plantar/dorsi.



Loosen the ratchet handles under the footrest to adjust forward/aft and toe in/toe out. Tighten securely.

Important: Never reposition the footrests while the user is in the standing position.



Kneepads

The knee support should be snug when the user is in the seated position. Adjust the foot holders so that the user's knees are as close to the seat pivot point as possible. The knee pad can be adjusted in all directions.

(If necessary, the knee pad bracket can be inverted on the frame for further adjustment.)

Loosen the knob located behind each kneepad to adjust height, width, and swivel.

Tighten securely.

Loosen the knob located under the kneepad bracket to adjust kneepad depth. If you have the independent kneepads, each kneepad will have a separate bracket and knob.

Tighten securely.



Table

When in the standing position, the front pad should support the user's upper body.

Adjust the tray height and depth for comfort. The front pad can be inverted as the adjustment holes are offset allowing further adjustment variations.

To adjust the table/front pad position, loosen the two knobs under the table. Slide table to desired position and tighten knobs securely.

To adjust table/front pad height, loosen the two knobs on the table support bracket. Move table to desired position and tighten knobs securely.

Note: When table reaches maximum height, a spring button will catch on one side. To continue adjusting, you must depress this spring button.



Transferring & Table

If more room is needed for transferring, the table can swing away or be totally removed.

Pull the quick pins from bottom of the table frame.

Warning: *Never stand the user in the unit without the table fully installed and the quick pins in place.*



Tighten the table leg knobs securely and carefully lift the table to remove it, or leave one leg in as shown.

Note: *An optional swing-away sleeve is available for ease of use.*



Standing

To lift the table to the standing position, loosen the knobs on the table verticals, lift the table to the approximate height, and tighten the knobs. Slide the table forward slightly and tighten the appropriate knobs.

Note: *If the user is in a multi-user environment or you feel that the foot actuator button may get depressed accidentally, tighten the secondary locking knob on the side of unit.*



To stand the child, press the button on the base of the unit with your foot and lift gently on the handles. You can stop at any position. After the user is standing, you can readjust the table as needed. To return to the seated position, press the foot button while gently pushing down on the handles.



Mobile Option

Do not use the mobile option on ramps, uneven surfaces, or outdoors.

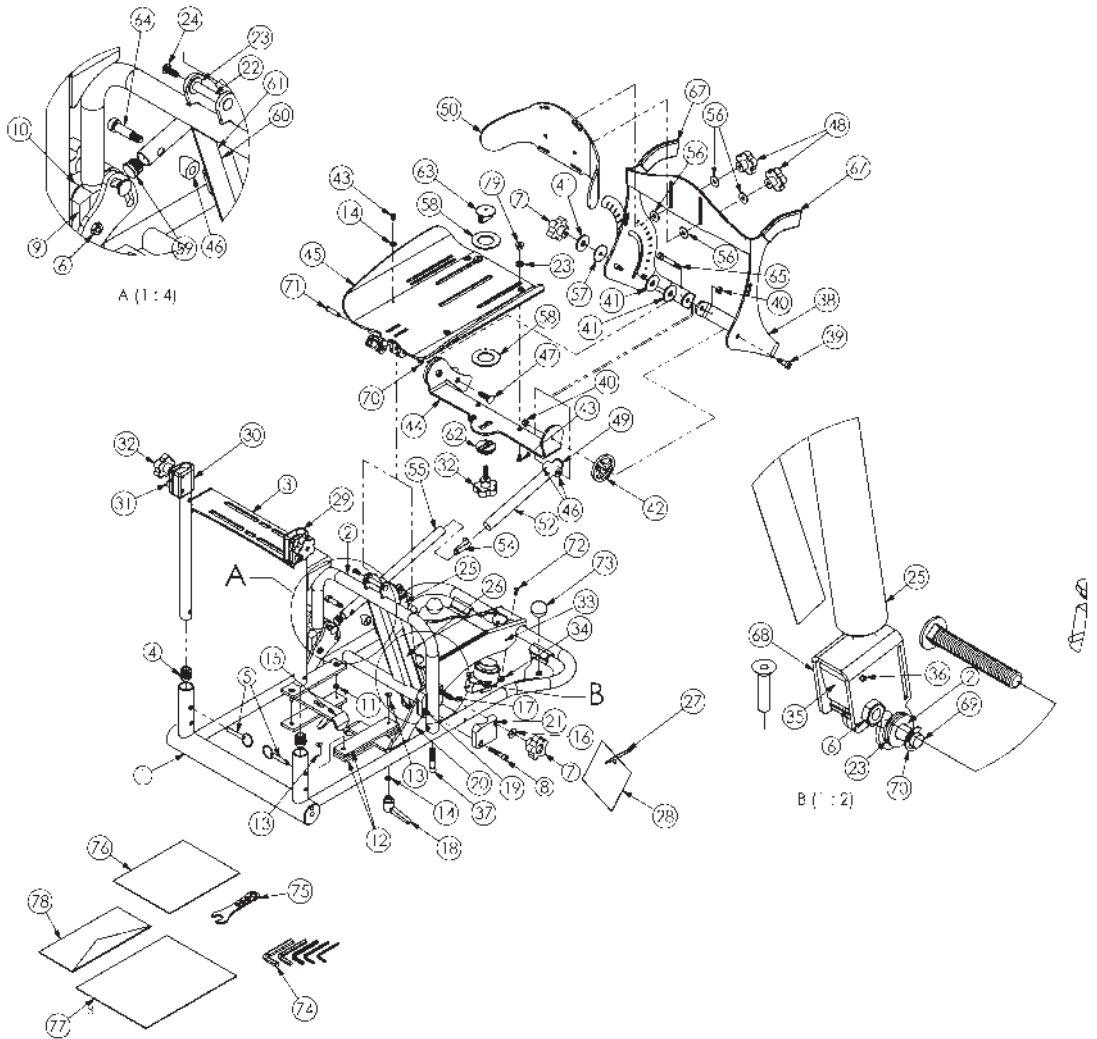
Before transferring the user into the EasyStand with the Mobile Option, make sure the casters and the push rim locking mechanisms are in the locked position. Use these locks when you want to keep the EasyStand stationary.



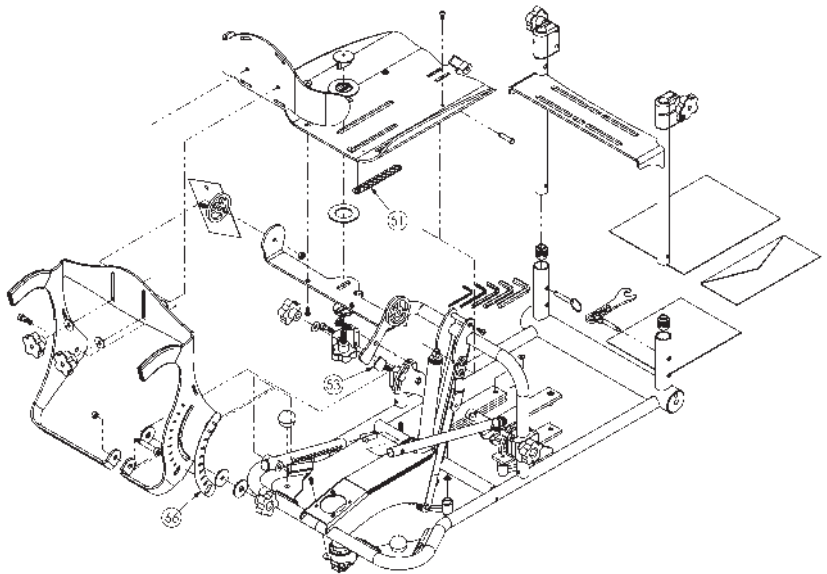
Maintenance and Storage

- Clean the EasyStand with a mild non-abrasive disinfectant or soap and water.
- The covering of the seat, back, knee, and headrest may be removed and hand washed in a mild soap and water, and air dried. Always use care when removing and replacing fabric covering.
- Periodically check your EasyStand to make sure all nuts, bolts, and adjustable parts are tightened securely.
- Store your EasyStand indoors at room temperature.

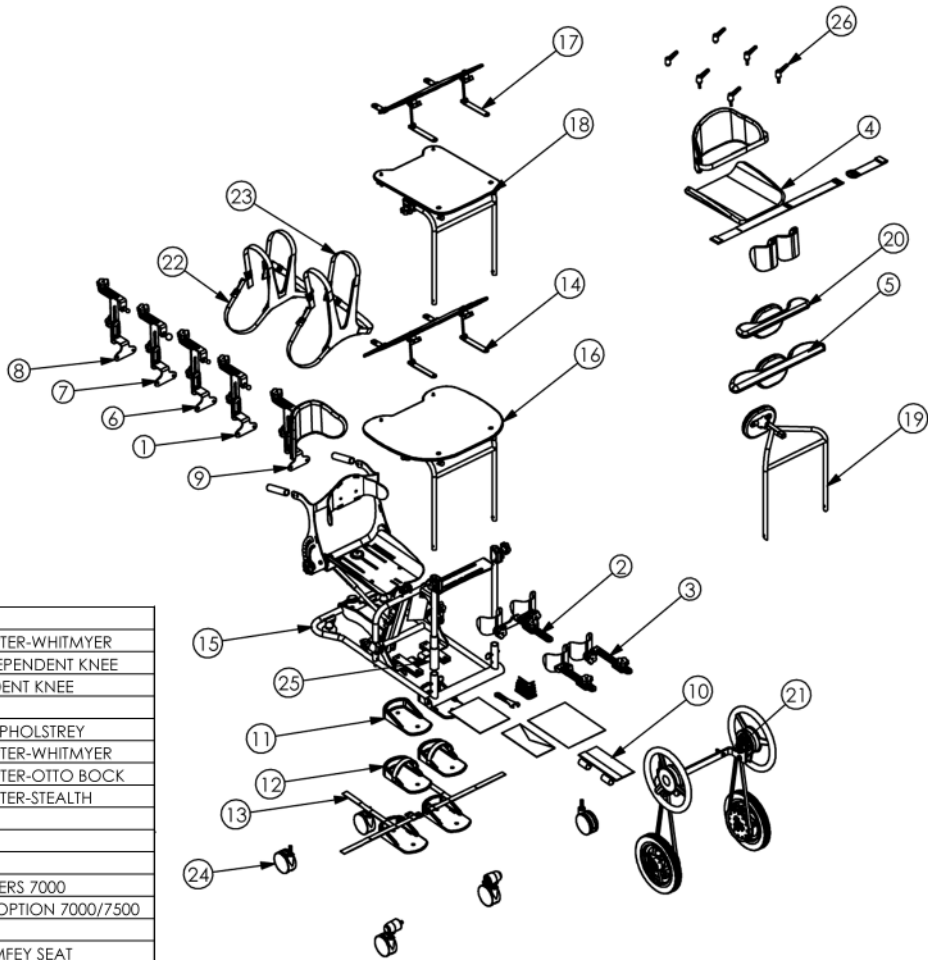
Magician Parts Detail



ITEM	DESCRIPTION	ITEM	DESCRIPTION
1	WELDMENT MAGICIAN BASE FRAME	50	3.496W 6.892H 13.475L
2	WELDMENT SEAT LOOP MAGICIAN	51	SEAT DEPTH LABEL
3	WELDMENT KNEE MAGICIAN	52	PT. 875D 18G 9.00L
4	CAP 1D 14-23 GA BLK BALL CAP	53	LABEL DEGREE INDICATOR
5	.312D 1.500L	54	SPRING BC-150-D W/DOME HEAD
6	NUT 5/16-18 JAM NYL INS L/N	55	PT. 75D 16G 12.384L
7	KNOB 3/8"-16 FEMALE 5PT LRG	56	WASHER .98D .343ID .065H NYLON
8	BOLT 5/16-18 X 1-3/4 SHCS	57	WASHER 1.50D .343ID .130L
9	PT .750H 2.00W 2.50L	58	WASHER 2.438D 1.385ID .125H
10	PT .750H 2.00W 2.50L	59	CAP .75D 14-20 GA BLK RND
11	NUT HEX JAM 1/4"-20 UNC	60	PT. 563H 1.00W 4.656L
12	250H 1.50W 6.50L	61	BOLT 5/16-18 X 1/2 BTN SHCS
13	BOLT 1/4-20 X 1 1/4 FSHCS	62	PT CLAMP 1.50D .50L OUTSIDE FEMALE
14	WASHER 3/16 USS WASHER ZC	63	PT CLAMP 1.50D 1.031L INSIDE CLAMP
15	PT 6.55H 5.728W 5.875L	64	BOLT 3/8" X 1" SHOULDER BOLT
16	WASHER 5/16 USS WASHER ZC	65	BOLT 3/8" X 1 3/4" SHOULDER BOLT
17	3/8-16UNC X 2.50L CARRIAGE BOLT	66	BACK ADJUST LABEL
18	KNOB 1/4"-20 FEMALE QUICK ADJ.	67	GRIP 7/8" X 5.00L
19	PT .750H 2.00W 2.500L	68	TRIGGER RELEASE
20	PT 6.55H 5.728W 5.875L	69	PIN .312D 2.188L CLEVIS
21	PT .750H 2.00W 2.50L	70	E-RING 5/16" E-STYLE ZP
22	BOLT SEX 1/4-20 X .375 X 2.093 BARREL	71	PIN .312D 1.250L CLEVIS
23	WASHER 3/8"ID X 3/4"OD NYLON BLACK	72	BOLT SELF-TAP #10 X 3/4 PAN HD
24	BOLT 1/4-20 X 5/8 BTN SHCS	73	KNOB 1/2-13 FEMALE BALL BLK
25	GAS CYLINDER-400 NEWTON	74	UNIVERSAL TOOLKIT
26	LABEL .875W 7.75L MAGICIAN	75	TOOL MULTI-WRENCH
27	SNAP TIE 5" LG	76	MANUAL 7000 COMFEY
28	LABEL END USER INFO	77	WARRANTY REGISTRATION CARD
29	1.375H 2.125W 2.50L	78	WARRANTY ENVELOPE
30	1.375H 2.125W 2.50L	79	BOLT
31	BOLT 3/8-16 X 1-1/4 SHCS		
32	KNOB 5/16"-18 X 1 1/4 ZC 5 PT		
33	PT 7.024H 3.00W 13.740H		
34	MAGICIAN FOOT BUTTON W/8" CABLE		
35	938H .813W 1.500L		
36	PP PIN 1/8 X 1 1/4 SPRING		
37	BOLT 3/8-16 X 2 SHCS		
38	PT 15.00W 19.018H 8.861L		
39	BOLT 3/8" X 1/2" SHOULDER BOLT		
40	NUT 5/16-18 NYL INS L/N HIGH		
41	WASHER 1.50D .437ID .130L NYLON		
42	WASHER 2.50D .390ID .25L		
43	BOLT 1/4-20UNC X 1/2 BTN SHCS		
44	PT 7.167W 4.866H 14.125L		
45	WELDMENT MAGICIAN SEAT		
46	WASHER .875 OD .375 ID COVED		
47	3/8-16UNC X 1.25L CARRIAGE BOLT		
48	KNOB 5/16-18 W/FEMALE 5 PT BLK		
49	CAP .875D 14-20 GA BLK RND		

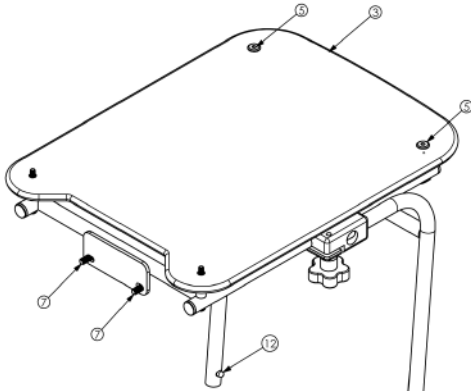


Magician Parts Overview

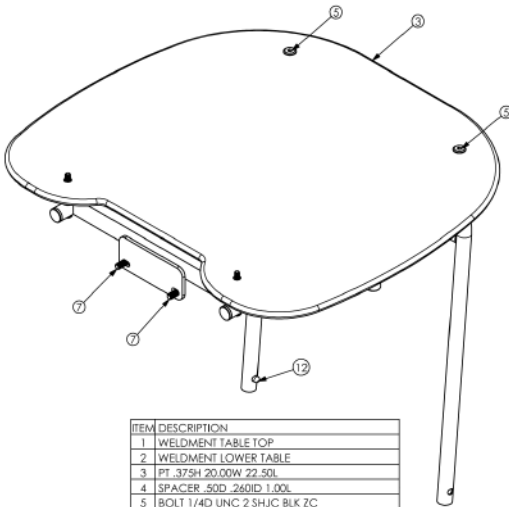
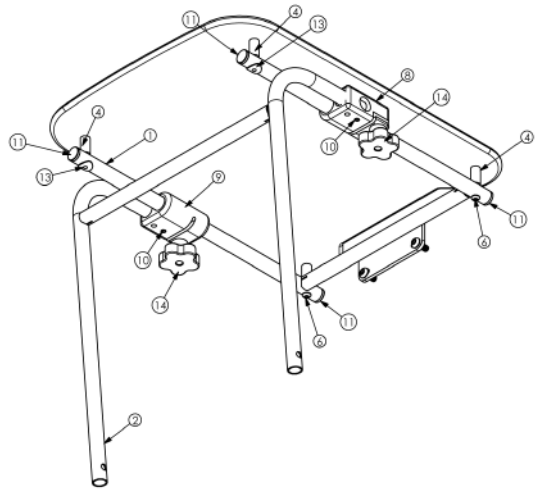


ITEM	DESCRIPTION
1	HEADREST BALL ADAPTER-WHITMYER
2	MAGICIAN NON-INDEPENDENT KNEE
3	MAGICIAN INDEPENDENT KNEE
4	EI UPHOLSTRY BLACK
5	7000 EI ROYAL BLUE UPHOLSTRY
6	HEADREST BALL ADAPTER-WHITMYER
7	HEADREST BALL ADAPTER-OTTO BOCK
8	HEADREST BALL ADAPTER-STEALTH
9	7000F HEAD SUPPORT
10	POUCH TOOL
11	FOOT HOLDERS 7000
12	FOOT STRAP W/HOLDERS 7000
13	SECURE FOOT STRAP OPTION 7000/7500
14	TABLE TILT 7000
15	MAGICIAN 7000 COMFEY SEAT
16	7000 CLEAR TABLE
17	TABLE TILT 7500
18	7500 CLEAR TABLE
19	7000/7500 NO-TABLE OPTION
20	7500 EI ROYAL BLUE UPHOLSTRY
21	7500 MOBILE OPTION
22	STRAP CHEST VEST SM EI
23	STRAP CHEST VEST MED EI
24	CASTER ASSEMBLY
25	ES5000 TABLE SWING AWAY
26	QUICK ADJ TABLE HANDLES

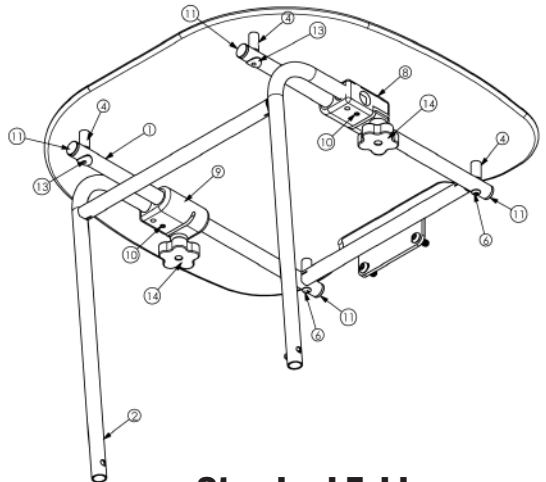
Mobile Table



ITEM	DESCRIPTION
1	WELDMENT TABLE TOP
2	WELDMENT LOWER TABLE
3	PT .375H 15.125W 20.00L
4	SPACER .50D .260ID 1.00L
5	BOLT 1/4D UNC 2 SHJC BLK ZC
6	BOLT 1/4-20 X 2.50 BTN SHCS
7	BOLT 5/16-18 X 3/4 BTN SHCS
8	1.375H 2.125W 3.00L
9	1.375H 2.125W 3.00L
10	BOLT 5/16-18 X 3/8 SSS CUP PT
11	CAP .75D 14-20 GA BLK RND
12	SPRING BC-150-D W/DOME HEAD
13	PP NUT 1/4-20 X 9/16 CURVED FLANGE
14	KNOB 5/16"-18 X 1 1/4 ZC 5 PT

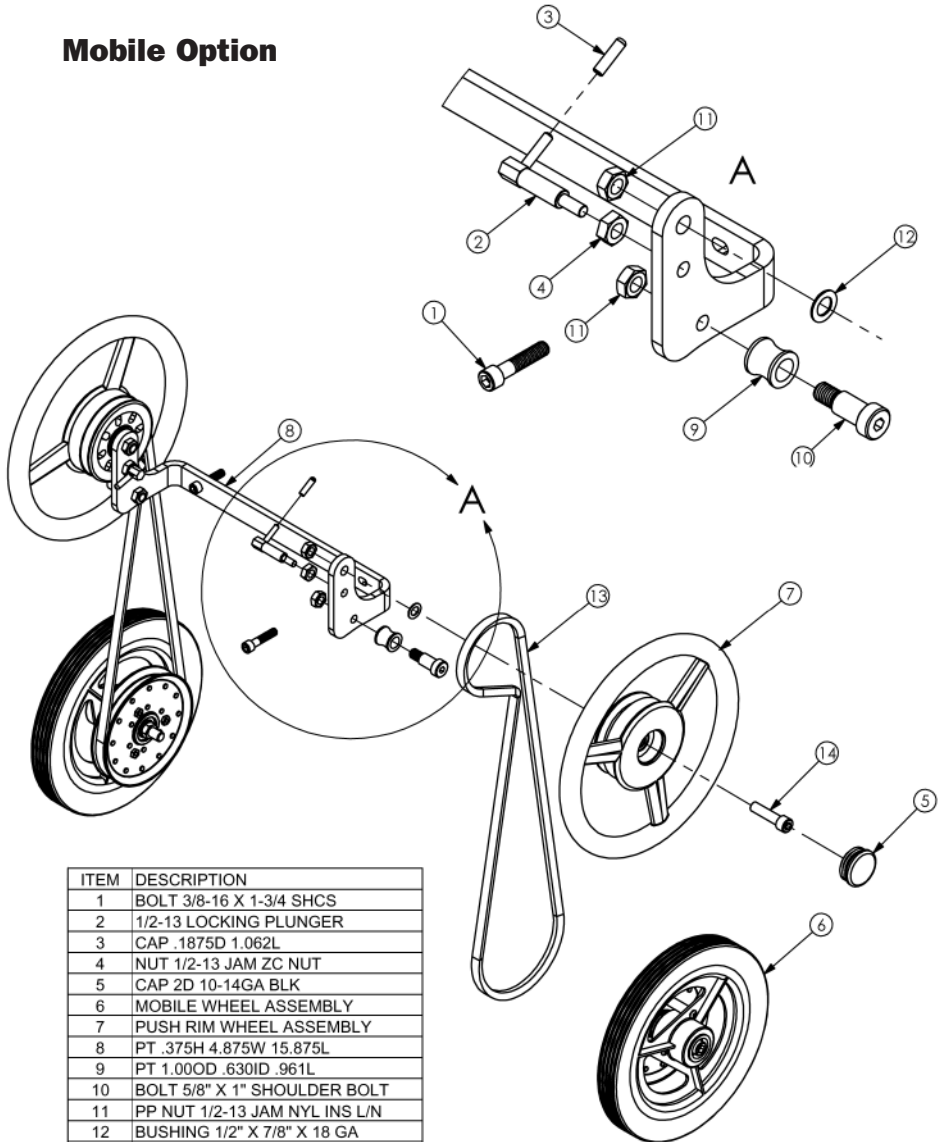


ITEM	DESCRIPTION
1	WELDMENT TABLE TOP
2	WELDMENT LOWER TABLE
3	PT .375H 20.00W 22.50L
4	SPACER .50D .260ID 1.00L
5	BOLT 1/4D UNC 2 SHJC BLK ZC
6	BOLT 1/4-20 X 2.50 BTN SHCS
7	BOLT 5/16-18 X 3/4 BTN SHCS
8	1.375H 2.125W 3.00L
9	1.375H 2.125W 3.00L
10	BOLT 5/16-18 X 3/8 SSS CUP PT
11	CAP .75D 14-20 GA BLK RND
12	SPRING BC-150-D W/DOME HEAD
13	PP NUT 1/4-20 X 9/16 CURVED FLANGE UP
14	KNOB 5/16"-18 X 1 1/4 ZC 5 PT



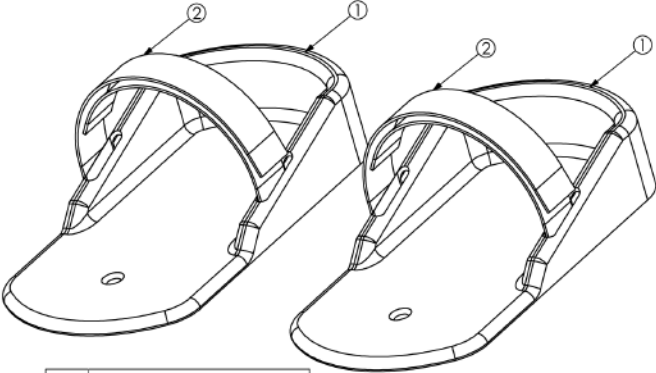
Standard Table

Mobile Option



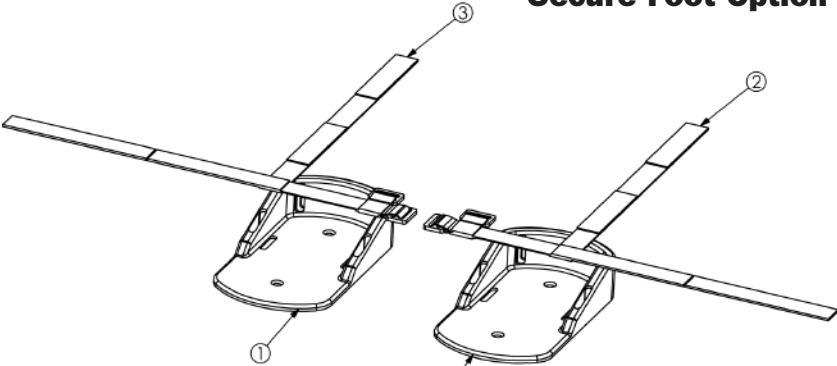
ITEM	DESCRIPTION
1	BOLT 3/8-16 X 1-3/4 SHCS
2	1/2-13 LOCKING PLUNGER
3	CAP .1875D 1.062L
4	NUT 1/2-13 JAM ZC NUT
5	CAP 2D 10-14GA BLK
6	MOBILE WHEEL ASSEMBLY
7	PUSH RIM WHEEL ASSEMBLY
8	PT .375H 4.875W 15.875L
9	PT 1.00OD .630ID .961L
10	BOLT 5/8" X 1" SHOULDER BOLT
11	PP NUT 1/2-13 JAM NYL INS L/N
12	BUSHING 1/2" X 7/8" X 18 GA
13	V-BELT V-80 BX54
14	BOLT 1/2-13 X 2 SHCS

Foot Holders with Straps



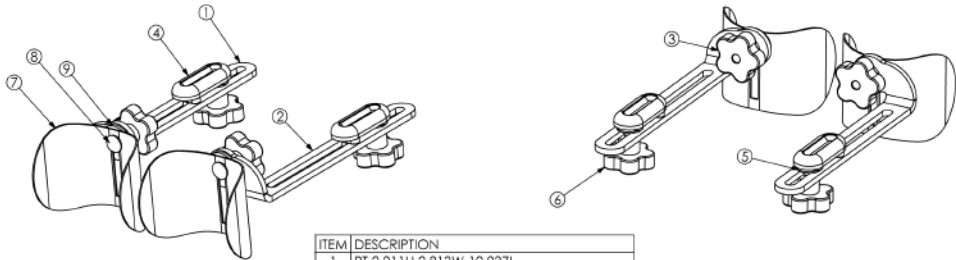
ITEM	DESCRIPTION
1	PT SMALL FOOT HOLDERS
2	STRAP FOOT BLACK

Secure Foot Option



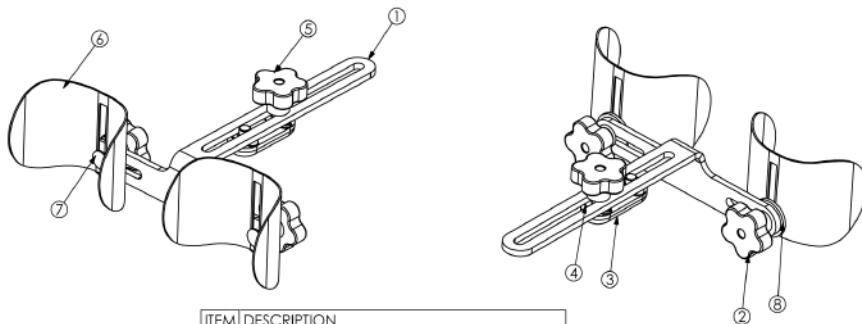
ITEM	DESCRIPTION
1	PT SMALL SECURE FOOT HOLDERS
2	STRAP SECURE FOOT L BLACK
3	STRAP SECURE FOOT R BLACK

Independent Kneepad Bracket



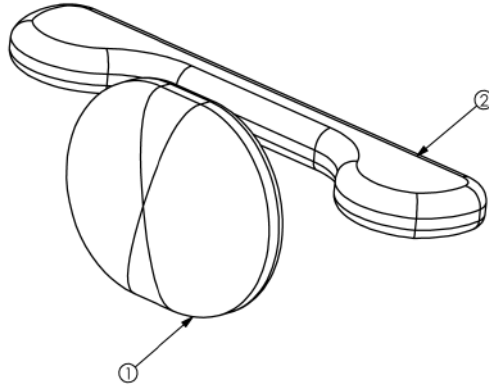
ITEM	DESCRIPTION
1	PT 2.011H 2.813W 10.937L
2	PT 2.011H 2.813W 10.937L
3	KNOB 5/16-18 W/FEMALE 5 PT BLK
4	PT .938H 1.25W 3.062L
5	WASHER 1/2 ID X 1.00 OD .062H NYL
6	KNOB 5/16"-18 X 3/4 ZC 5 PT
7	PT 4.25W 3.25H 4.00L
8	5/16-18UNC X 1.50L CARRIAGE BOLT
9	WASHER 1.5OD .437ID .130L NYLON

Standard Kneepad Bracket

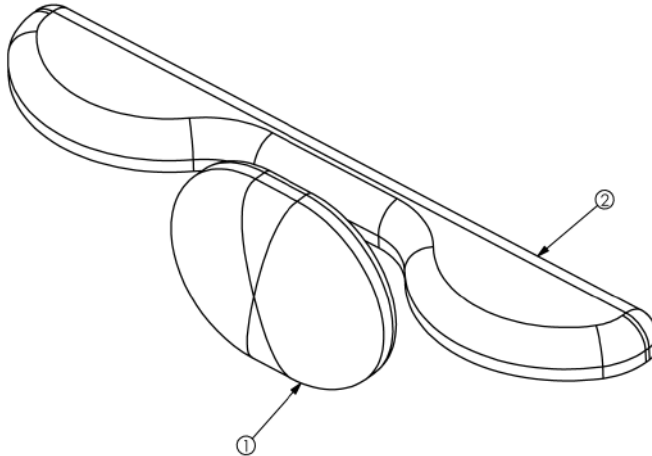


ITEM	DESCRIPTION
1	PT 9.00W 1.761H 10.937L
2	KNOB 5/16-18 W/FEMALE 5 PT BLK
3	PT .938H 1.25W 3.062L
4	WASHER 1/2 ID X 1.00 OD .062H NYL
5	KNOB 5/16"-18 X 3/4 ZC 5 PT
6	PT 4.25W 3.25H 4.00L
7	5/16-18UNC X 1.50L CARRIAGE BOLT
8	WASHER 1.5OD .437ID .130L NYLON

Table and Front Pad Upholstery

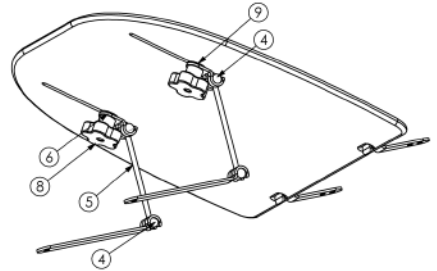
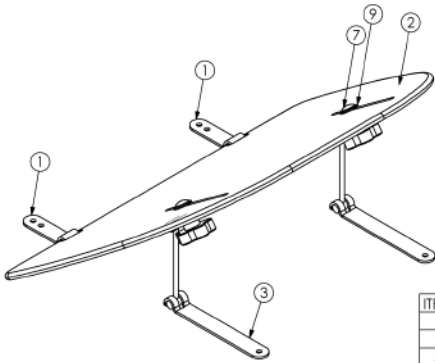


ITEM	DESCRIPTION
1	PAD CHEST ROYAL BLUE
2	PAD TABLE ROYAL BLUE

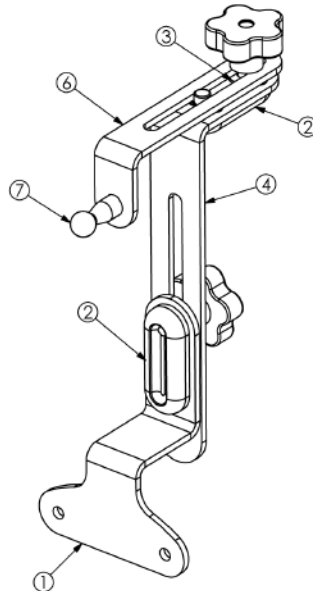
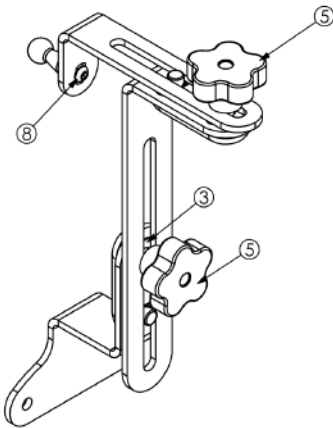


ITEM	DESCRIPTION
1	PAD CHEST ROYAL BLUE
2	PAD TABLE ROYAL BLUE

Angle Adjustable Table



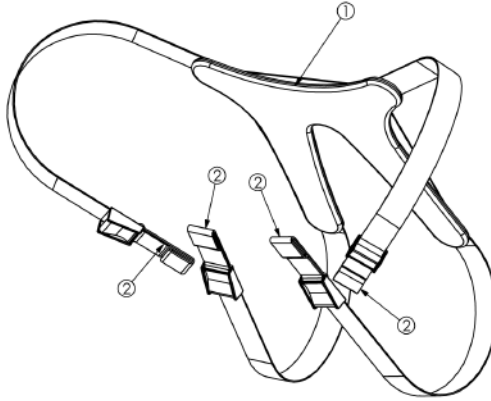
ITEM	DESCRIPTION
1	.375H 1.00W 3.50L
2	TABLE .375H 16.75W 22.50L
3	.375H 1.00W 6.874L
4	.500D .875L
5	THREADED ROD 1/4-20 X 5 1/4 BOTH ENDS
6	.375H 1.00W 2.00L
7	5/16-18UNC X 1.00L CARRIAGE BOLT
8	KNOB 5/16-18 W/FEMALE 5 PT BLK
9	WASHER 1/2 ID X 1.00 OD .062H NYL



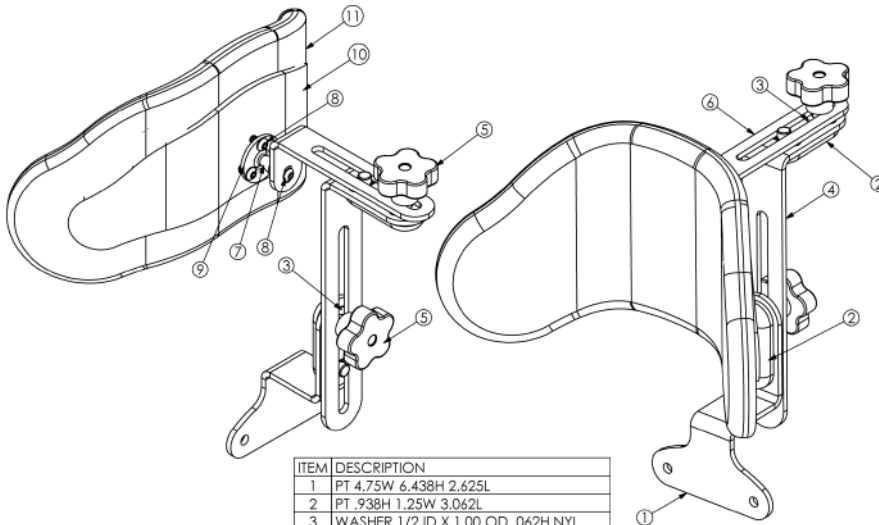
ITEM	DESCRIPTION
1	PT 4.75W 6.438H 2.625L
2	PT .938H 1.25W 3.062L
3	WASHER 1/2 ID X 1.00 OD .062H NYL
4	PT 1.625W 3.75H 10.750L
5	KNOB 5/16"-18 X 3/4 ZC 5 PT
6	PT 1.25W 2.25H 6.50L
7	PT HEADREST BALL ATTACHMENT STEALTH
8	BOLT 1/4-20 X 5/8 BTN SHCS

Head Support

Chest Vest



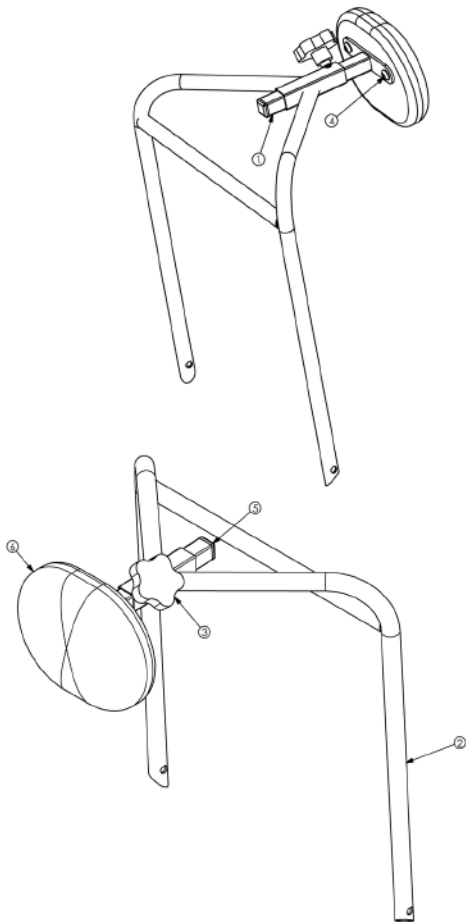
ITEM	DESCRIPTION
1	STRAP CHEST VEST SM
2	CHEST VEST STRAP



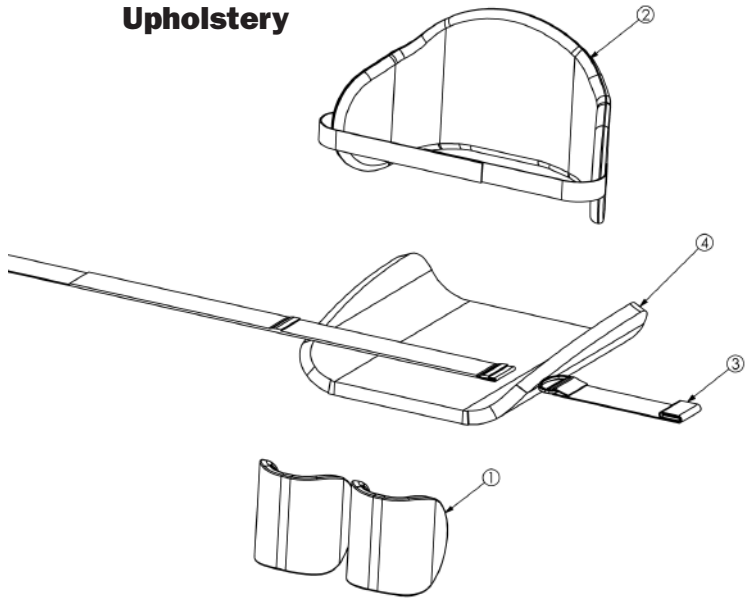
ITEM	DESCRIPTION
1	PT 4.75W 6.438H 2.625L
2	PT .938H 1.25W 3.062L
3	WASHER 1/2 ID X 1.00 OD .062H NYL
4	PT 1.625W 3.75H 10.750L
5	KNOB 5/16"-18 X 3/4 ZC 5 PT
6	PT 1.25W 2.25H 6.50L
7	PT HEADREST BALL ATTACHMENT
8	BOLT 1/4-20 X 5/8 BTN SHCS
9	PT 1.625D .703ID .134H
10	PT 2.886W 5.067H 10.718L
11	PAD BACK MAGICIAN

Head Support

Upholstery



ITEM	DESCRIPTION
1	WELDMENT FRONT PAD BRACKET
2	WELDMENT FRONT PAD W/O TABLE
3	KNOB 5/16"-16 X 5/8 ZC 5 PT
4	BOLT 5/16-18 X 3/4 BTN SHCS
5	.75H .75W 14-20GA BLK SQ
6	PAD CHEST ROYAL BLUE



ITEM	DESCRIPTION
1	PAD KNEE GLIDER EI
2	PAD BACK SUPPORT BLACK MAGICIAN
3	STRAP SEAT BELT BLACK MAGICIAN
4	PAD SEAT GLIDER EI

No-Table Option

User Log

photocopy this page for a long term record of your standing progress.

Client Name	Date	Start Time	End Time	Total Time

Specifications

Height Range	3'-4'6"	91-137cm
Weight Limit	100 lbs	45kg
Seat Depth (<i>from front of seat</i>)	10.5"-15.5"	27-40cm
Seat Height from Floor	19"	48cm
Seat Width	8"-17"	20-43cm
Seat to Footplate Range	9"-15"	23-38cm
Table/Front Pad Depth Range (<i>from seat pivot</i>)	5" in-6" out	13-15cm
Table Height Range (<i>from seat pivot</i>)	10"-22"	25-56cm
Knee Depth Range (<i>from seat pivot</i>)	3.5"-10"	9-25cm
Knee Width Range (<i>center to center</i>)	4.5"-7.5"	11-19cm
Back Thoracic Contour Height (<i>from seat surface</i>)	12"-15"	30-38cm
Standard Base Dimensions	22"x33.5"	56x85cm
Weight of Basic Unit	95 lbs.	43kg
Frame Color	Black Powder Coat	
Table Upholstery Colors	Blue & Red	
Seat, Knee, Back, Headrest	Blue & Red	
Standard Table Size	20"x22.5"	51x57cm
Headrest Height Range (<i>from seat</i>)	17"-25.5"	43-65cm

Limited Warranty

This warranty is extended only to the original purchaser/customer (or dealer non consumer who does not buy or resell). Altimate Medical, Inc. (AMI) warrants the EasyStand Magician Comfy Seat against defects in materials and workmanship as listed below.

- Steel Frames - 5 year warranty
- Gas Spring - 2 year warranty
- Upholstered components, plastic pads, rubber parts, painted surfaces, bearings and other parts not specifically identified above - 90 day warranty

The warranty period commences for the consumer on the purchase date from the seller/dealer. If the product is rented or otherwise not sold to a consumer, the warranty period commences from the date of invoice from AMI. Any product proven to AMI satisfaction to be defective and within warranty period, shall be repaired or replaced at AMI's option.

AMI'S SOLE OBLIGATION AND YOUR EXCLUSIVE REMEDY UNDER THIS WARRANTY SHALL BE LIMITED TO SUCH REPAIR AND/OR REPLACEMENT. This warranty does not include any labor charges incurred in replacement parts installation. Freight charges to factory are at the expense of consumer to seller. Return freight charges will be prepaid by AMI. For warranty service, please contact the authorized dealer from whom you purchased your AMI product. In the event you do not receive satisfactory warranty service, please write directly to AMI at the address below. Do not return products to our factory without prior authorization.

LIMITATIONS AND EXCLUSIONS: The foregoing warranty shall not apply to serial numbered products if the serial number has been removed or defaced. Products subject to negligence, abuse, misuse, improper operation, improper maintenance, improper storage, or damages beyond AMI's control are not covered by this warranty, and that evaluation will be solely determined by AMI. The warranty shall not apply to problems arising from normal wear or failure to follow instructions. The warranty will be void if parts not manufactured by AMI or parts not complying with original equipment specifications are added to an AMI product.

THE FOREGOING WARRANTY IS EXCLUSIVE AND IN LIEU OF ALL OTHER EXPRESS WARRANTIES. AMI SHALL NOT BE LIABLE FOR ANY CONSEQUENTIAL OR INCIDENTAL DAMAGES WHATSOEVER.

AMI maintains a policy of continual product improvement and reserves the right to change features, specifications, and prices without prior notification. Check with AMI for latest information.

Altimate Medical, Inc., P.O. Box 180, 262 W. 1st St., Morton, MN 56270 USA
Phone: 507•697•6393 Fax: 507•697•6900 1 800•342•8968
www.easystand.com info@easystand.com
Revised April, 2004

Environmental Issues

After life of the product:

- Recycle in accordance with the recycling codes of your country.
- Recycle all metal parts.
- Plastic parts should be disposed of or recycled according to the directive in your country.
- Please inquire at your local disposal management and recycling center for local codes.
- Return hydraulic actuator to Altimate Medical, Inc.



EasyStand products are manufactured by Altimate Medical, Inc. A small company with a big heart, based out of Morton, Minnesota, Altimate Medical is proud to have been helping people stand for fifteen years. If you have any stories or comments about standing please write us at the address below.

Thank you.

AltimateMedical

P.O. Box 180
262 West 1st St.
Morton, MN 56270 USA

Toll Free: 800-342-8968 or 507-697-6393

Fax Free: 877-342-8968 or 507-697-6900

email: info@easystand.com

www.easystand.com



Standing technology should only be used under the guidance of a physician with recommendations for standing program protocol and any medical precautions. Standing programs should be monitored by the attending therapist. AMI maintains a policy of continual product improvement and reserves the right to change features, specifications, and prices without prior notification. Check with AMI for latest info.
FORM MAN70CS 0404 Copyright © 2004 Altimate Medical, Inc. All rights reserved. Printed in the U.S.A.