





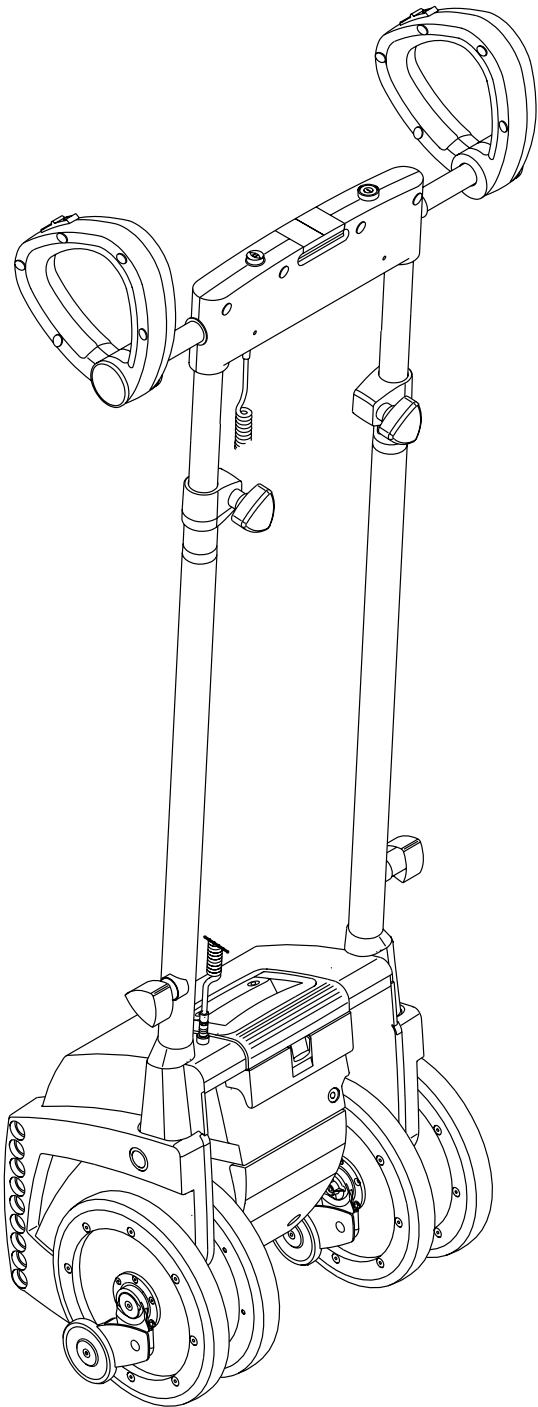
## Spare parts scalamobil

---

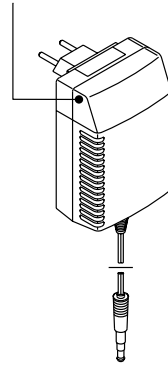
S30 IQ	4-12
S31/S29	13
X6	14
Accessories	15-17
X3	18
X2	19
S27/S28	20-25
S27	26
S25	27-33



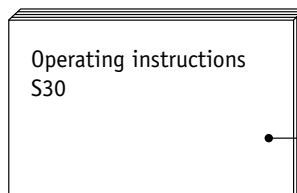
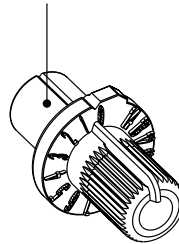
## Components



01 03 0420  
Charger S30 90-230 V, 1 Ah

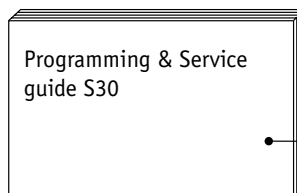


01 07 1502  
Programming key S30



Operating instructions  
S30

01 07 1500  
Operating instructions S30 IQ

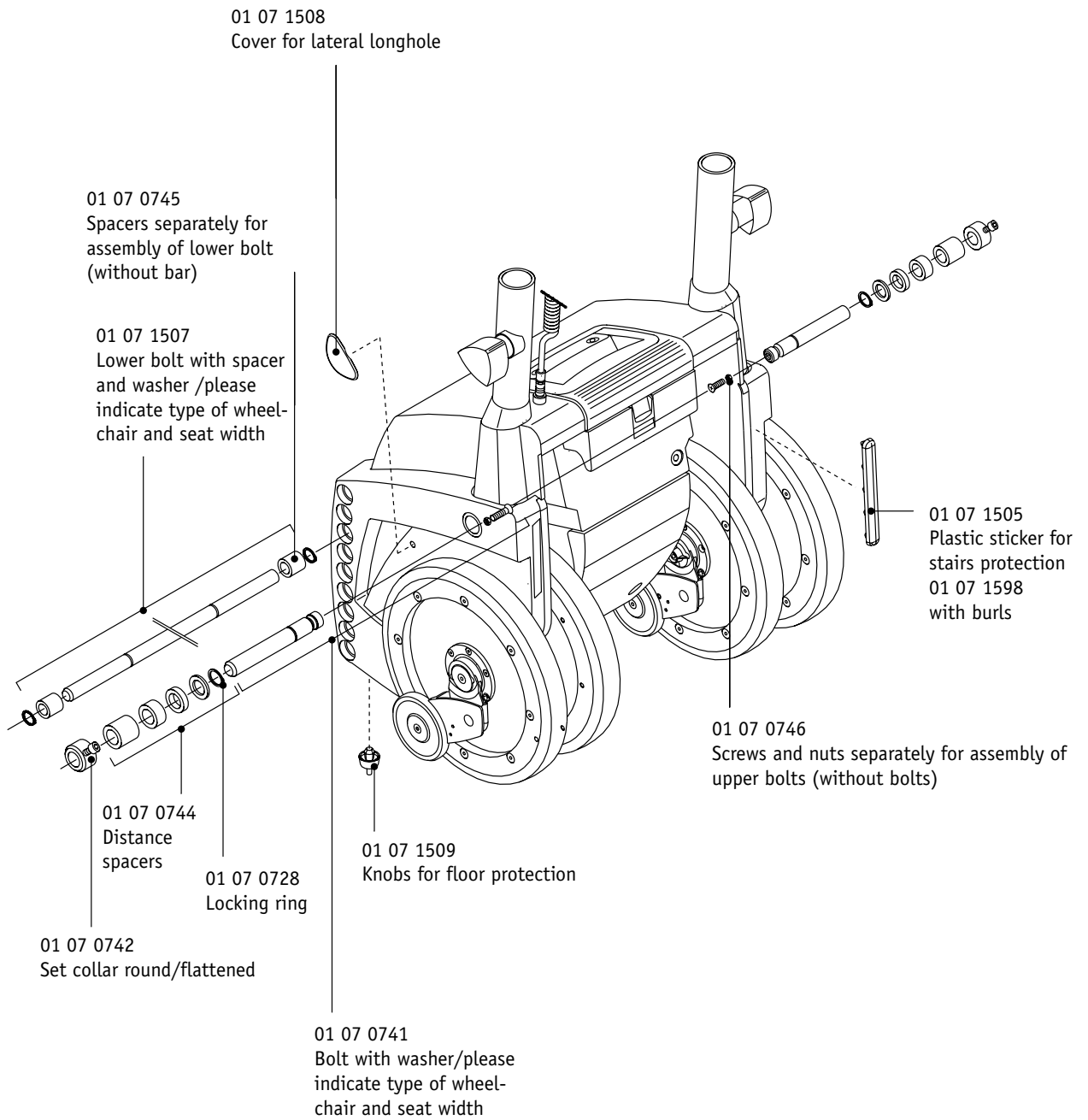


Programming & Service  
guide S30

01 07 1501  
Programming & Service guide S30 IQ

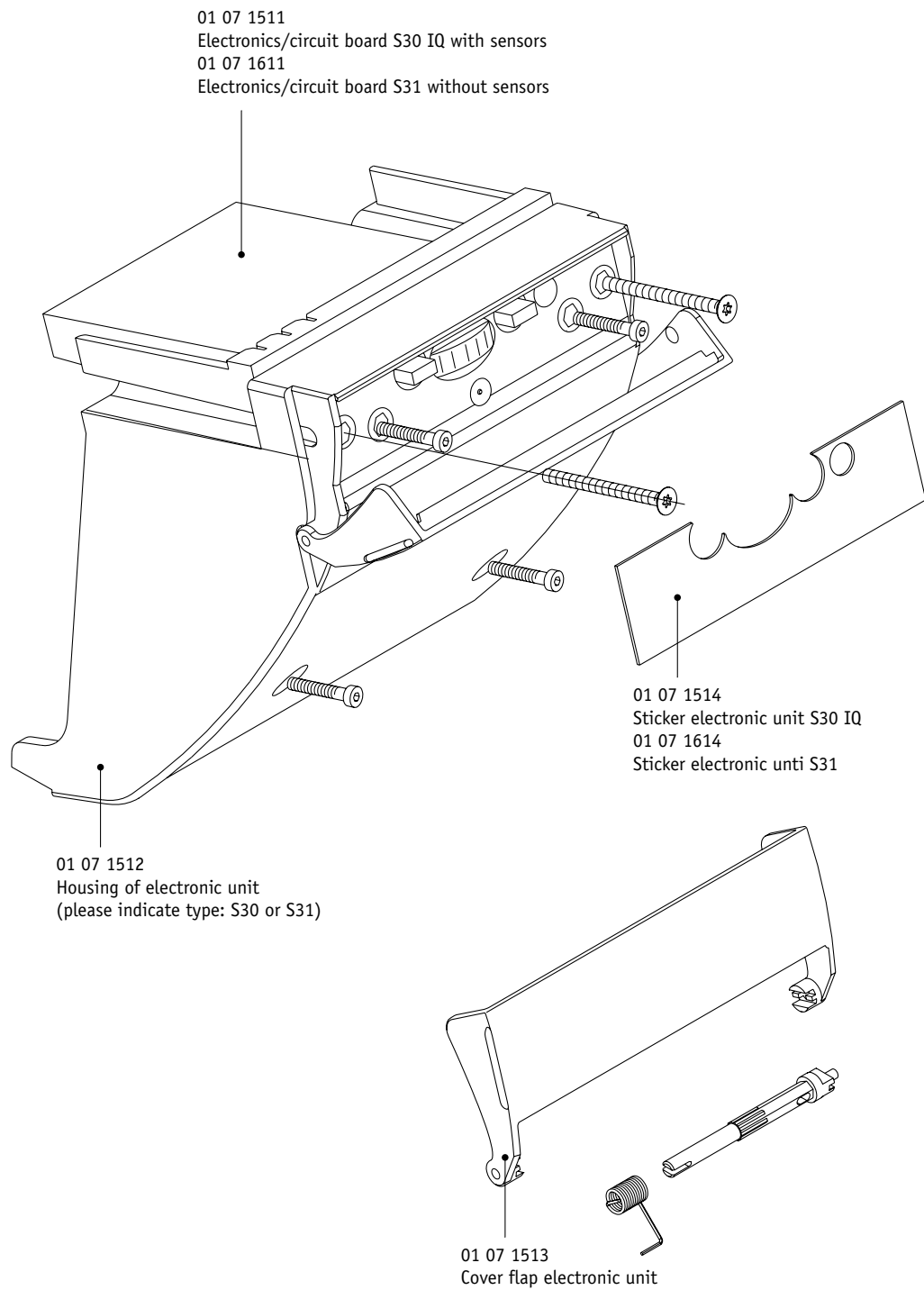


# Drive unit



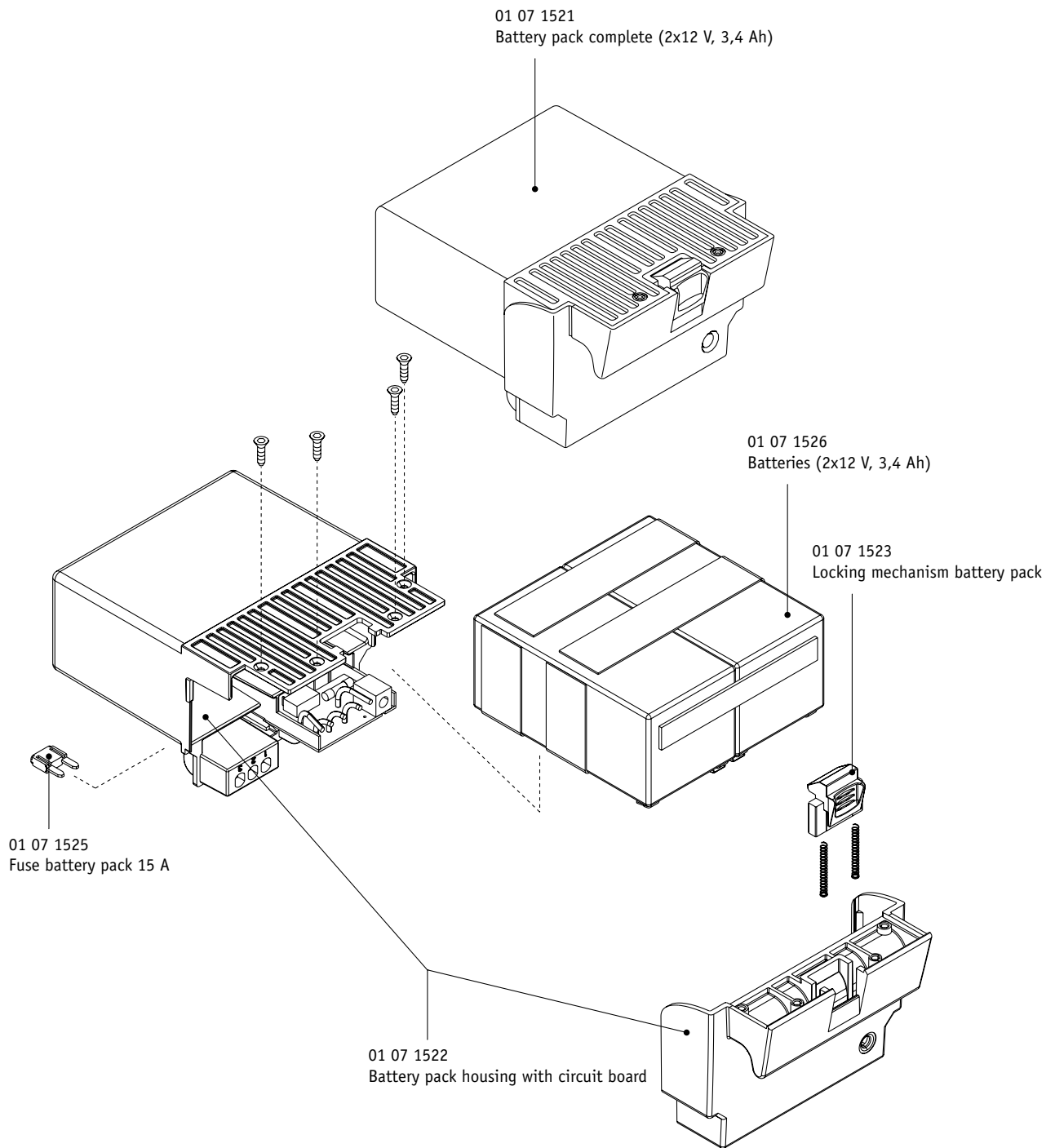


## Electronic unit



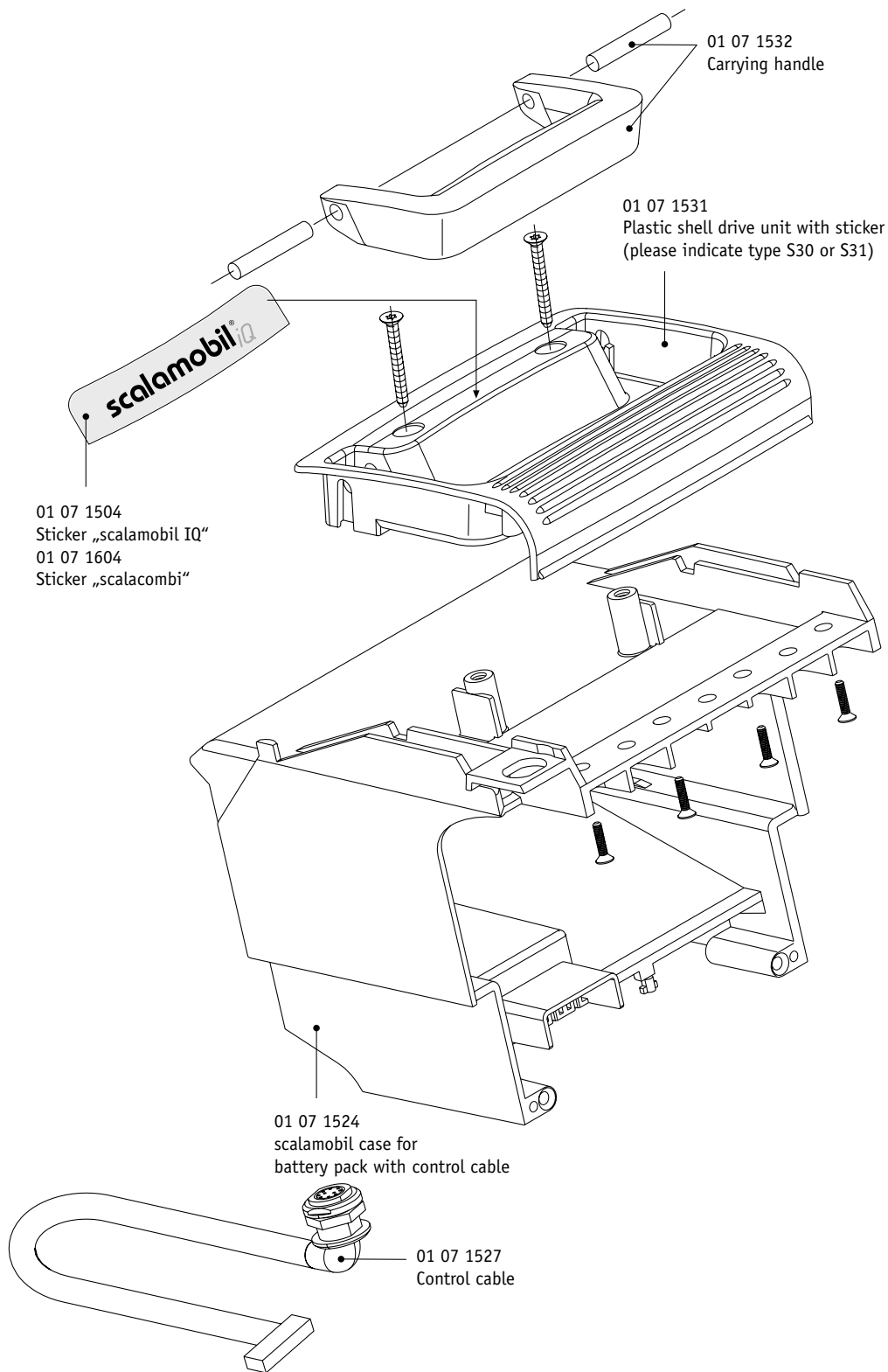


# Battery



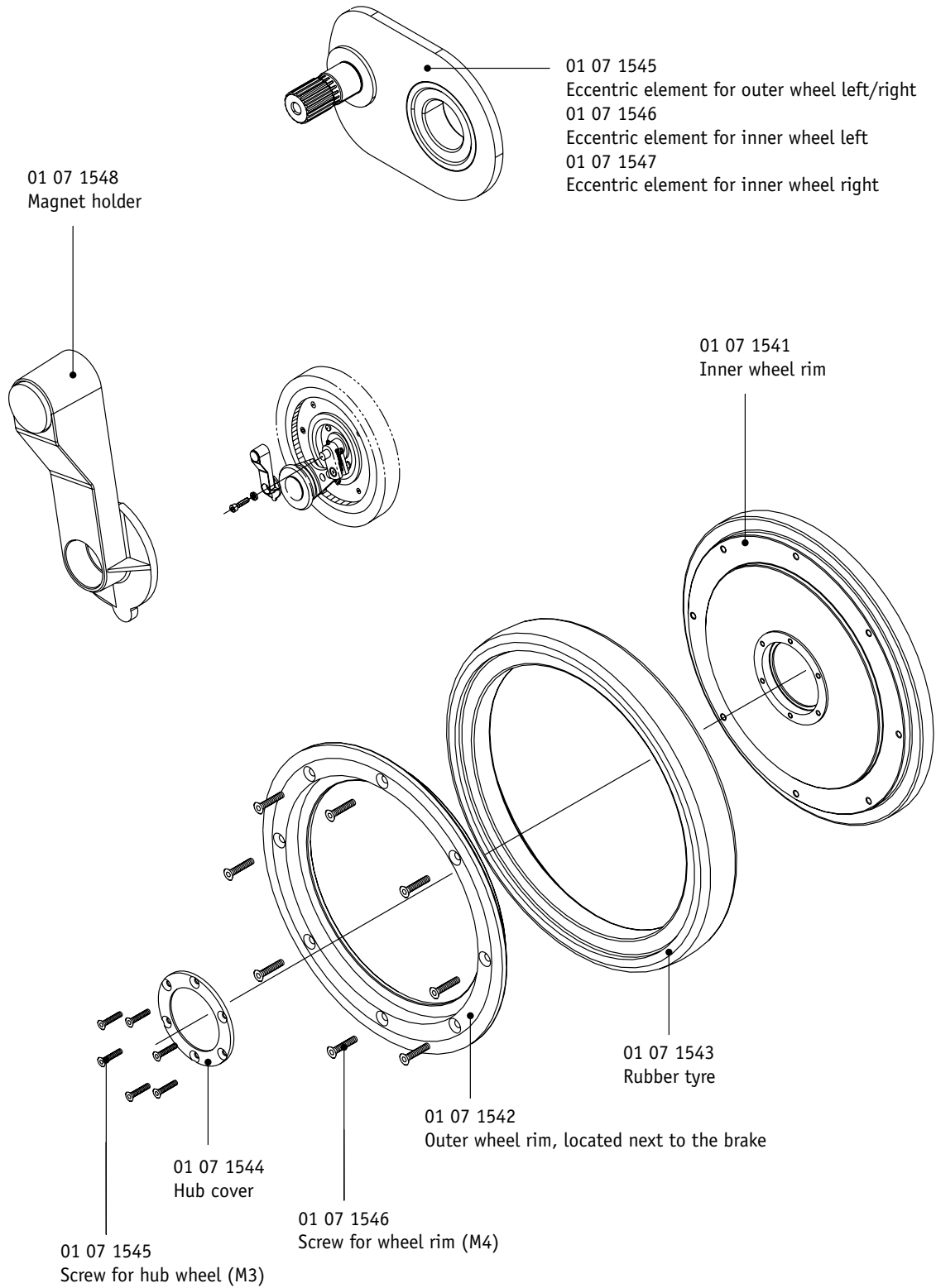


## Plastic shell drive unit/Battery pack case





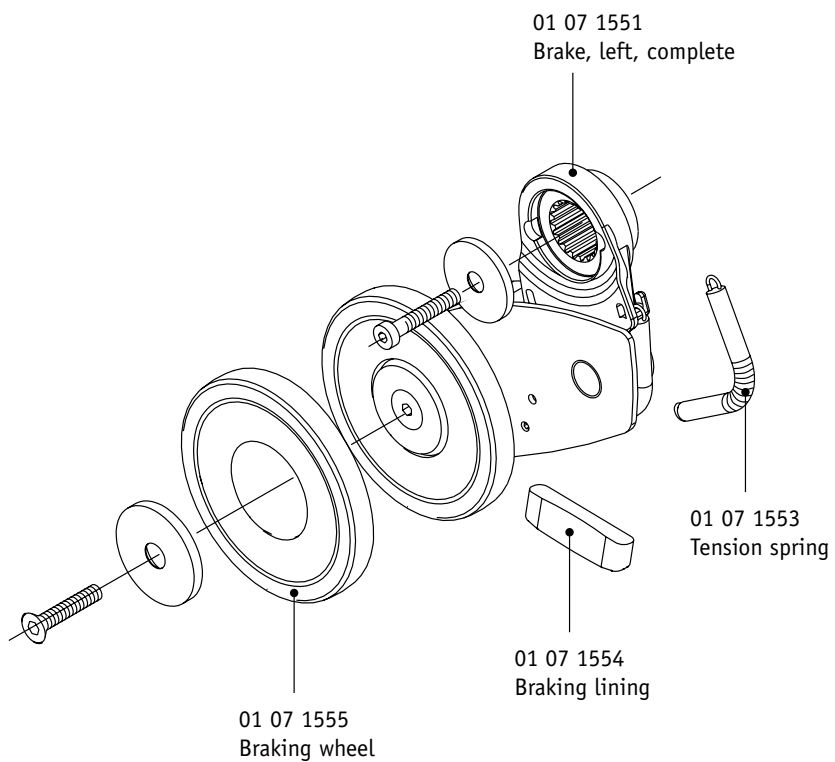
# Wheel





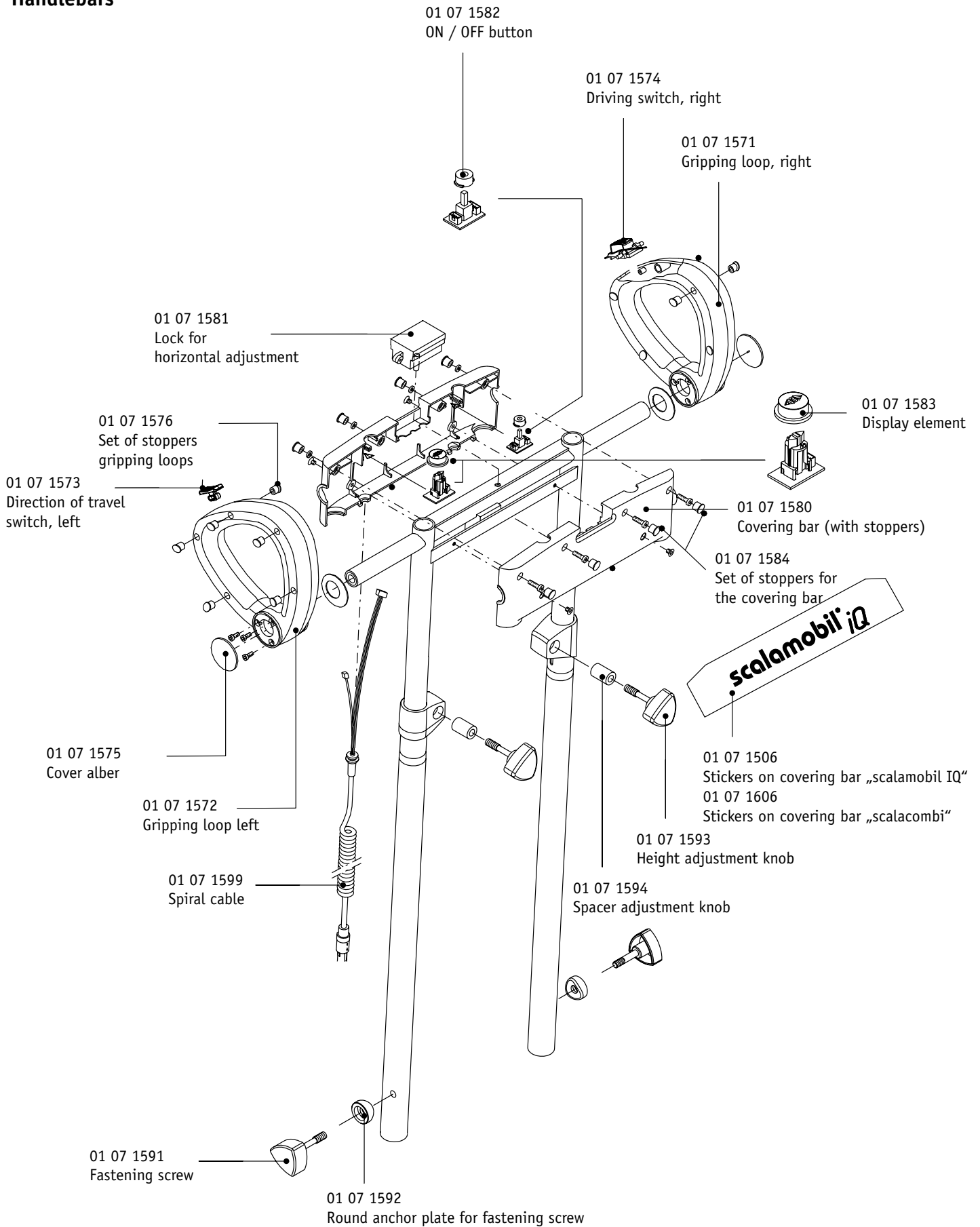


## Brakes



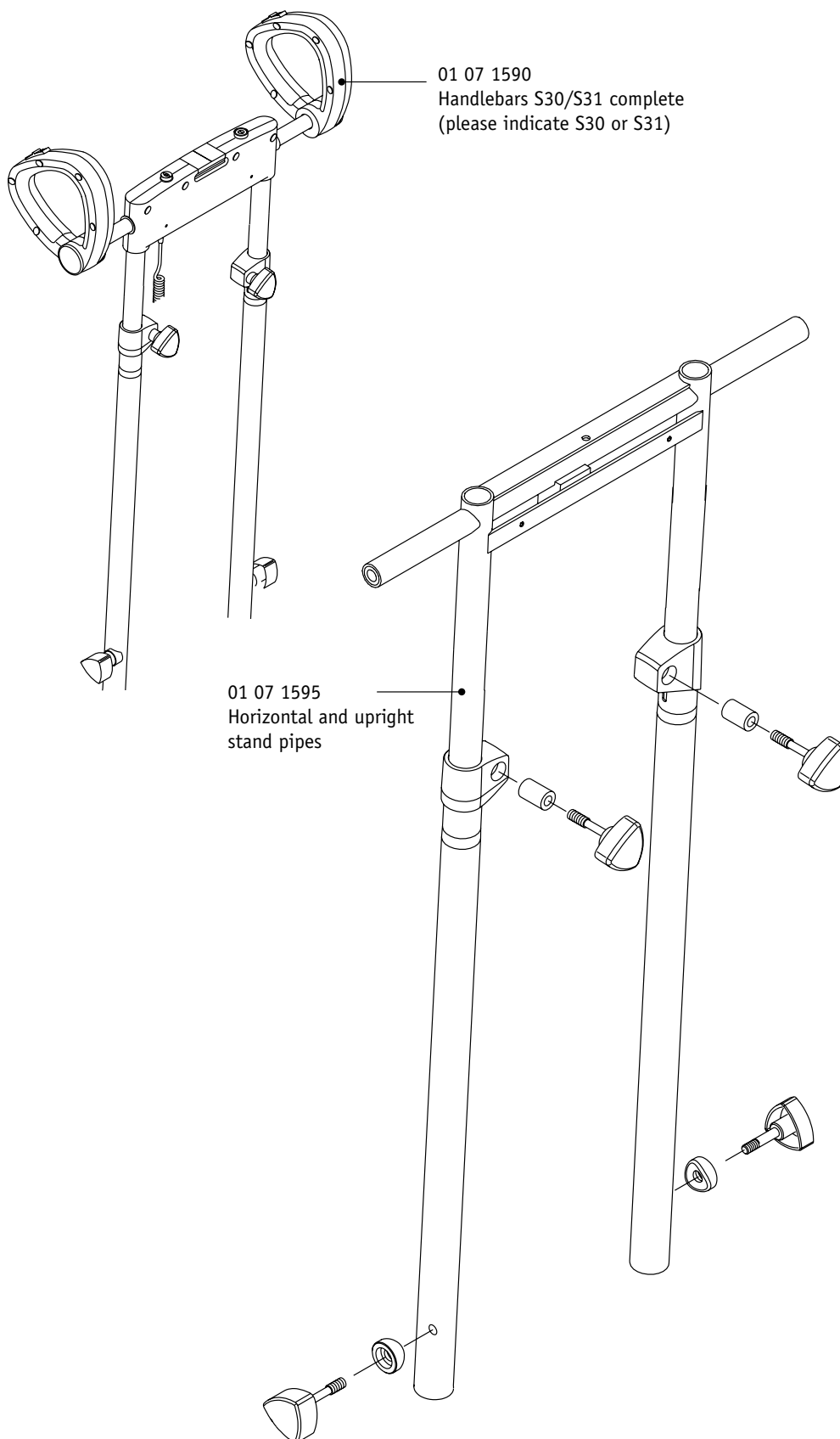


# Handlebars



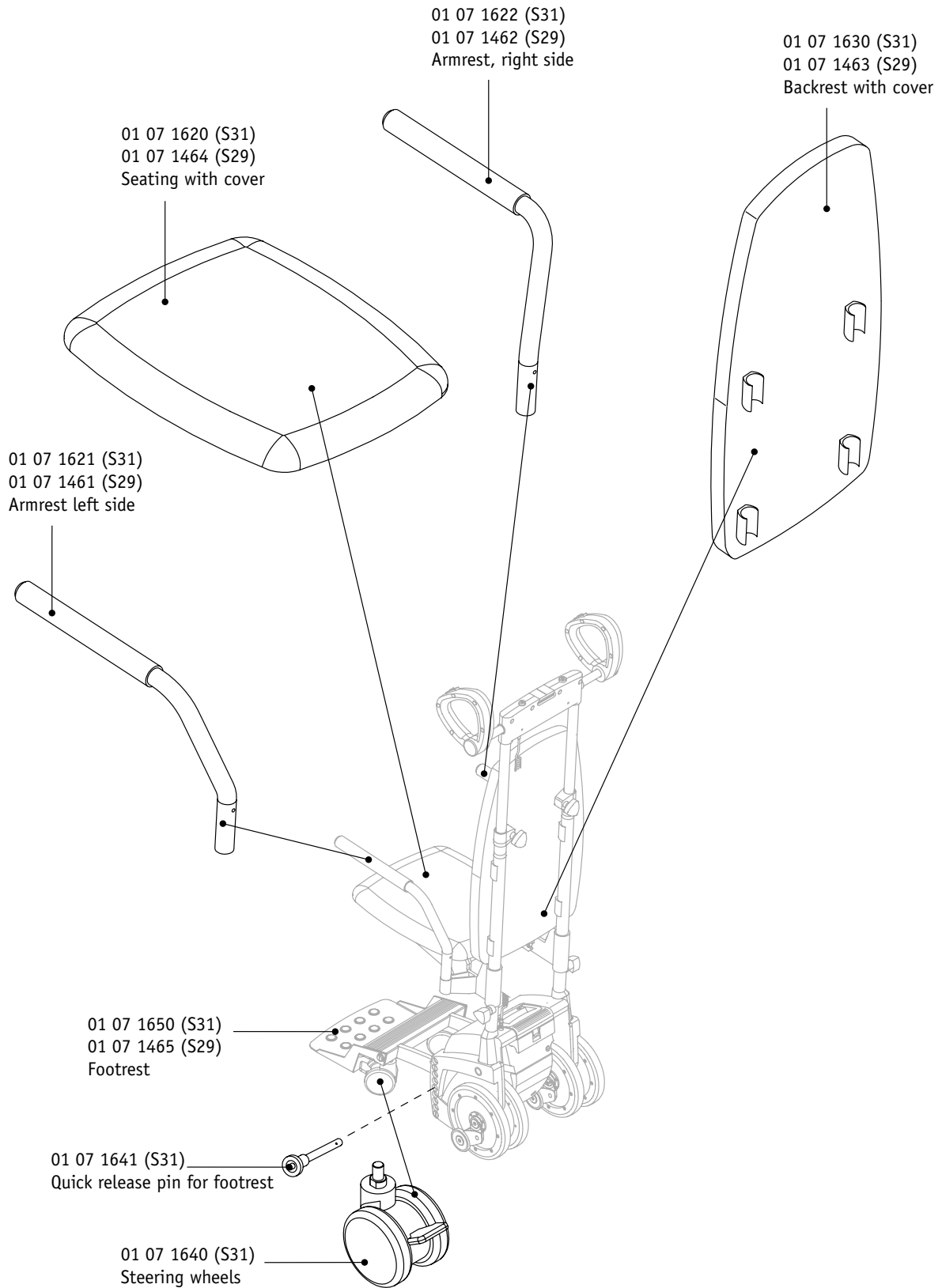


### Handlebars



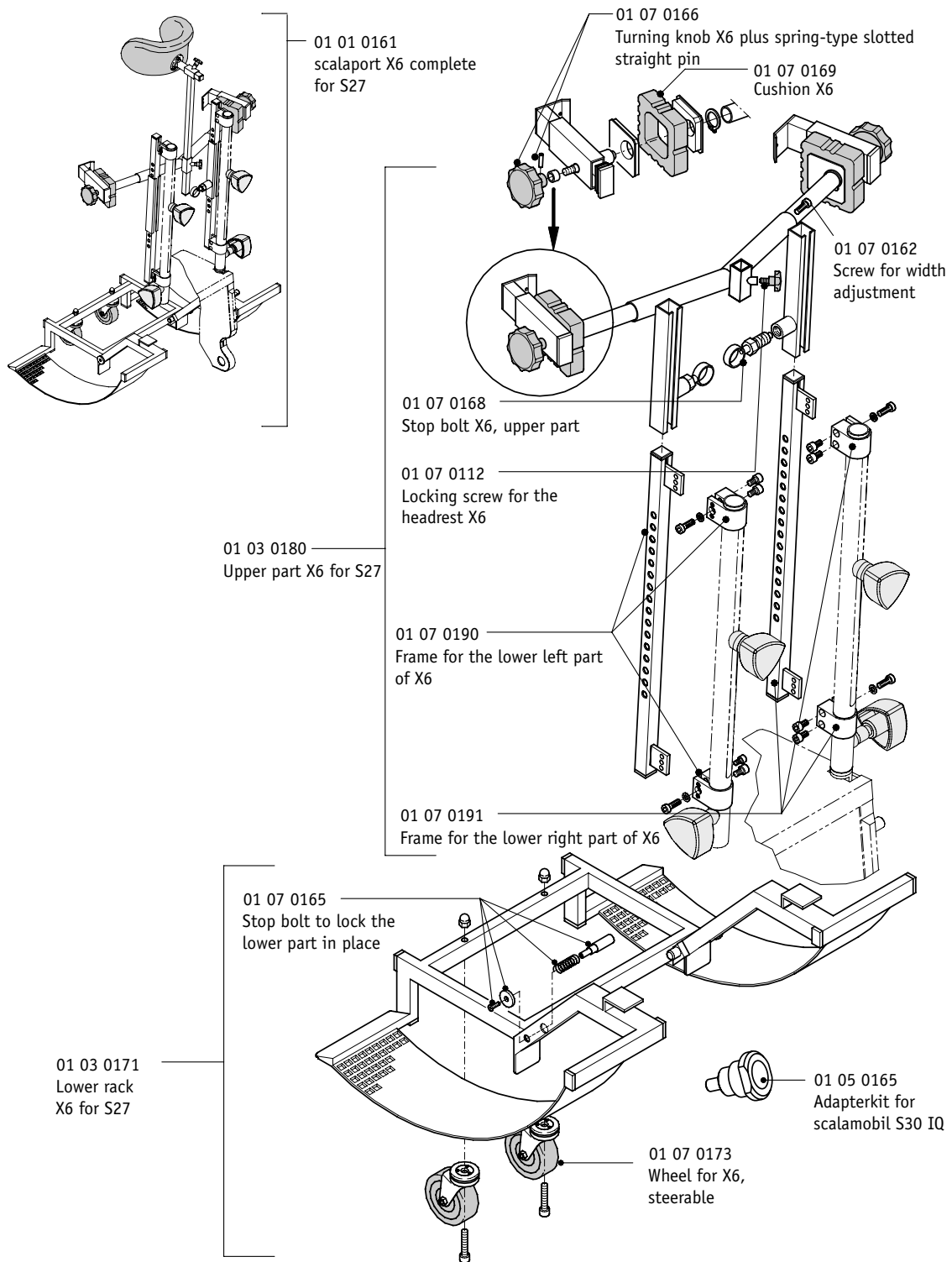


scalacombi S31/  
scalacombi S29 (not illustrated)



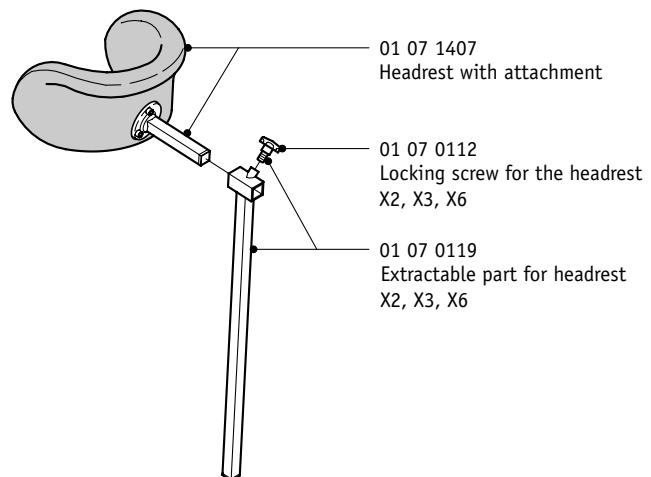
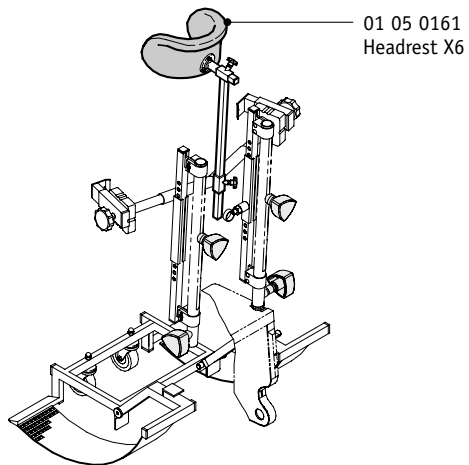


## scalaport X6 for S30/S27/S25



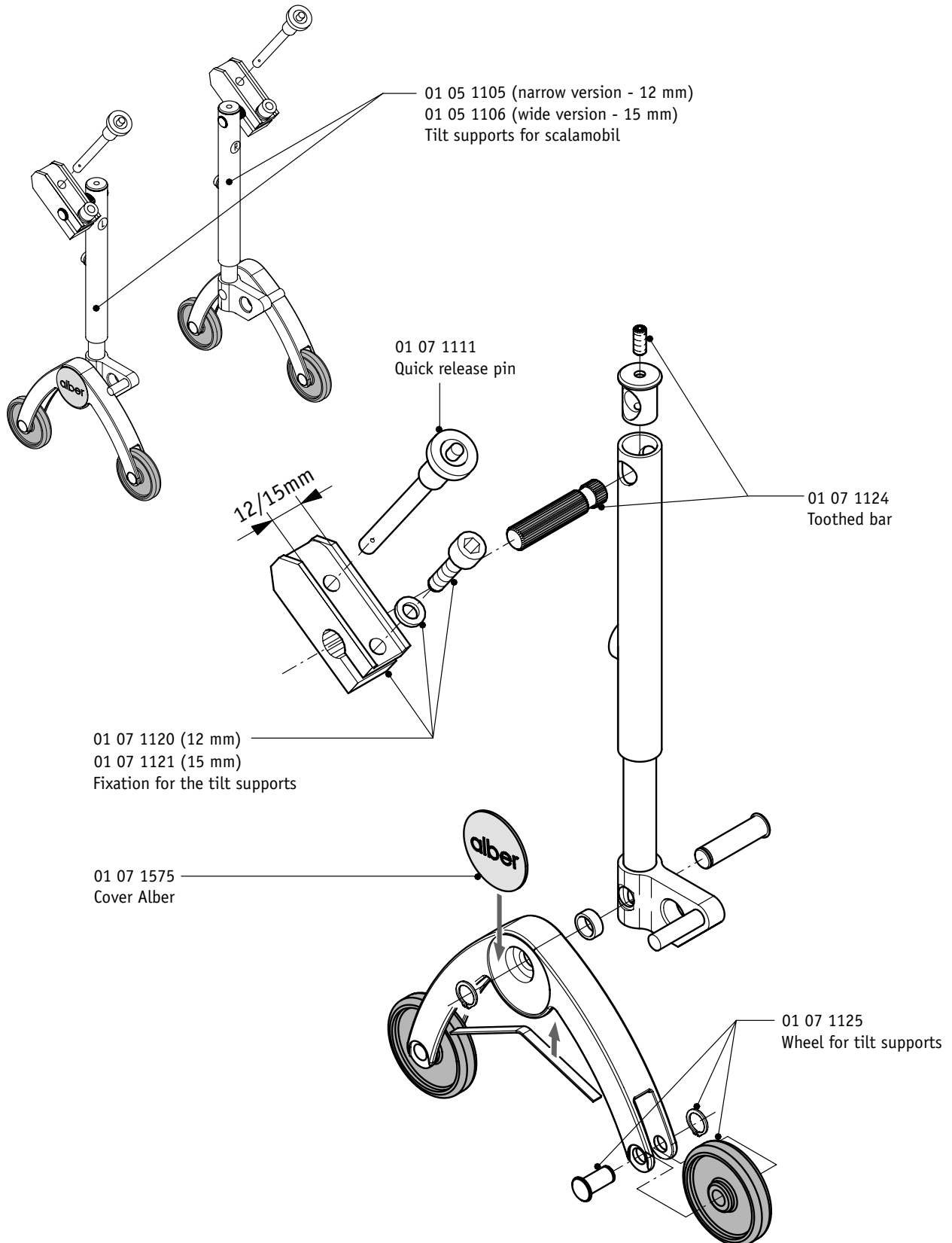


## Accessories



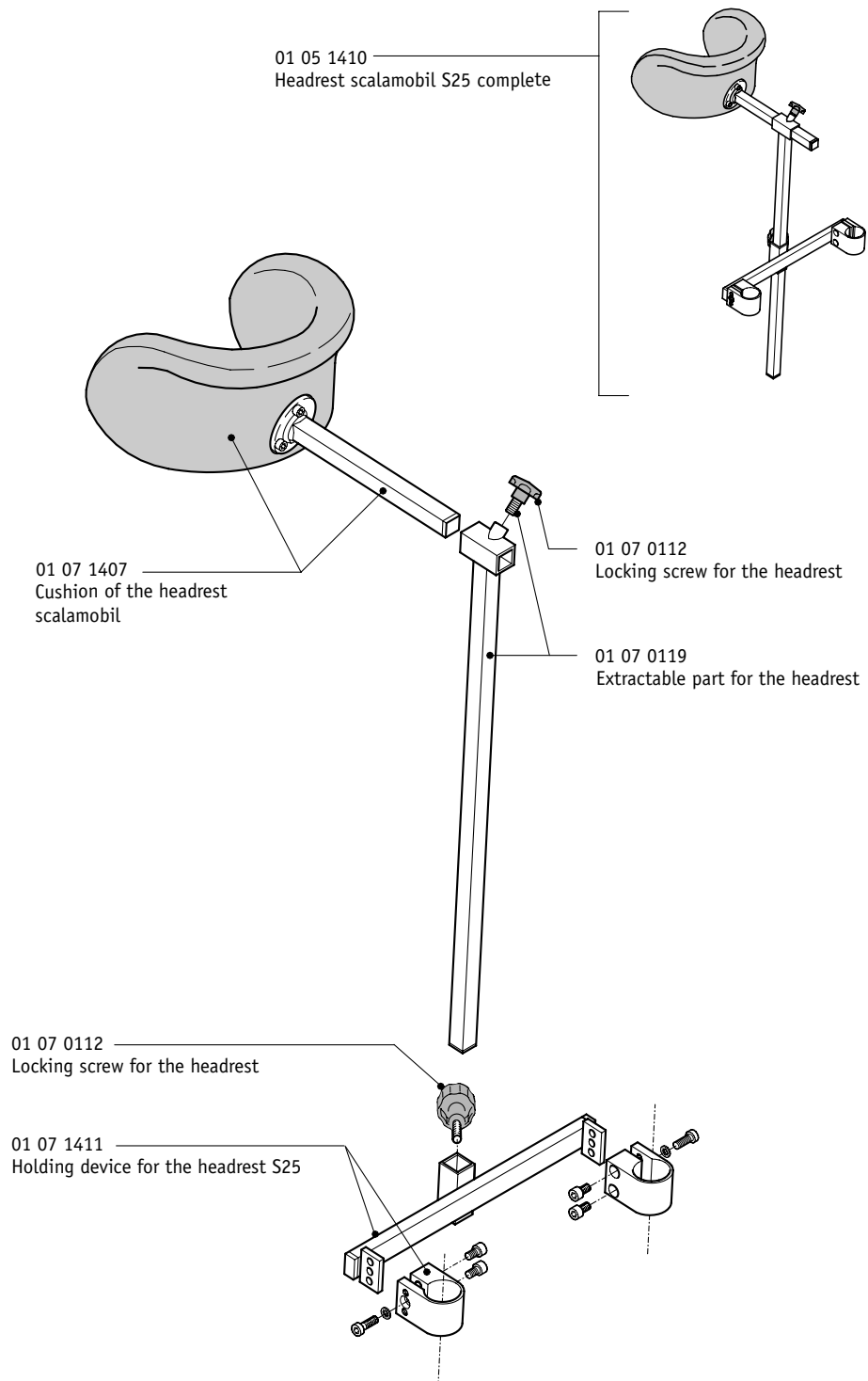


### Tilt supports





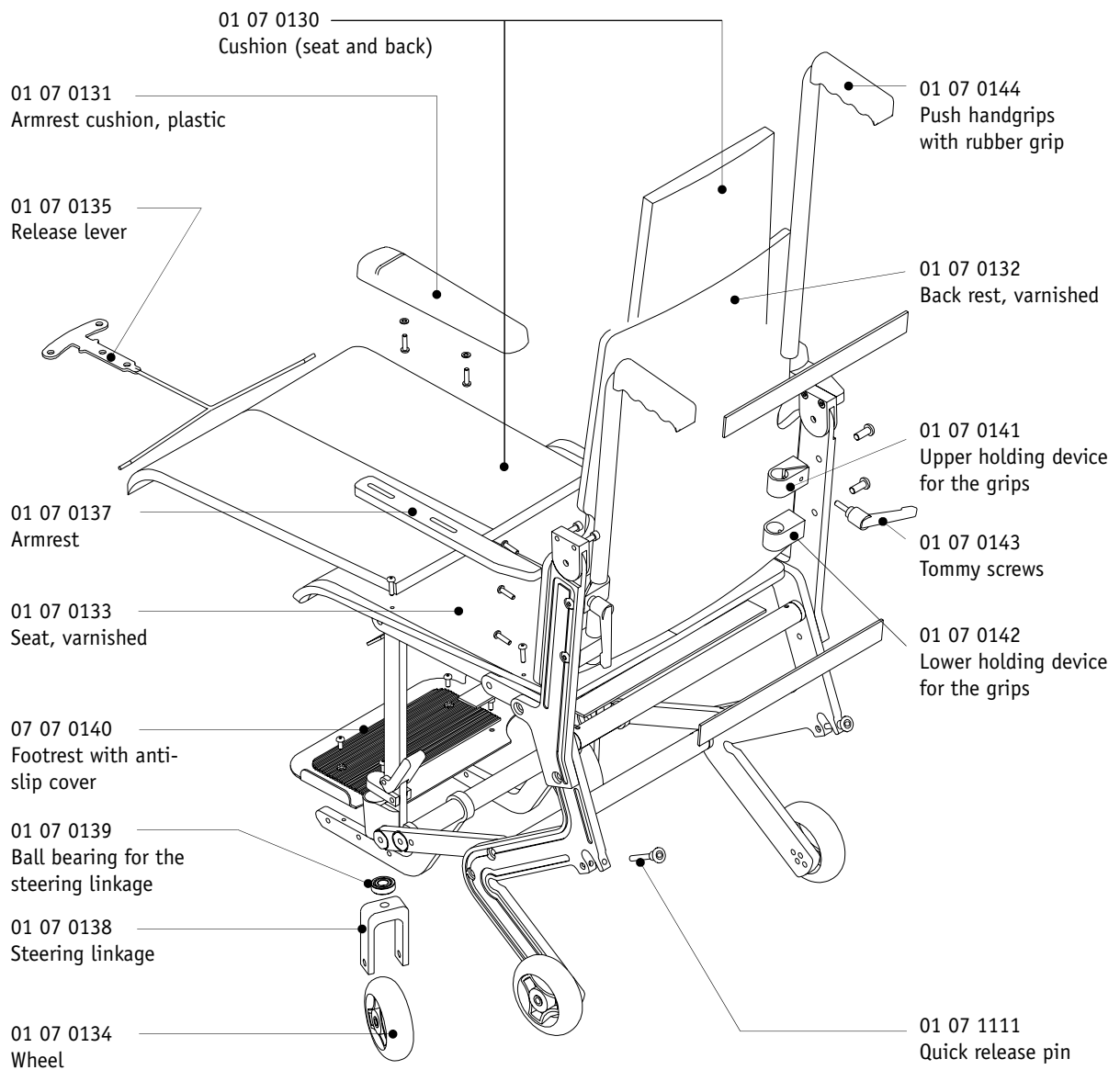
# Headrest





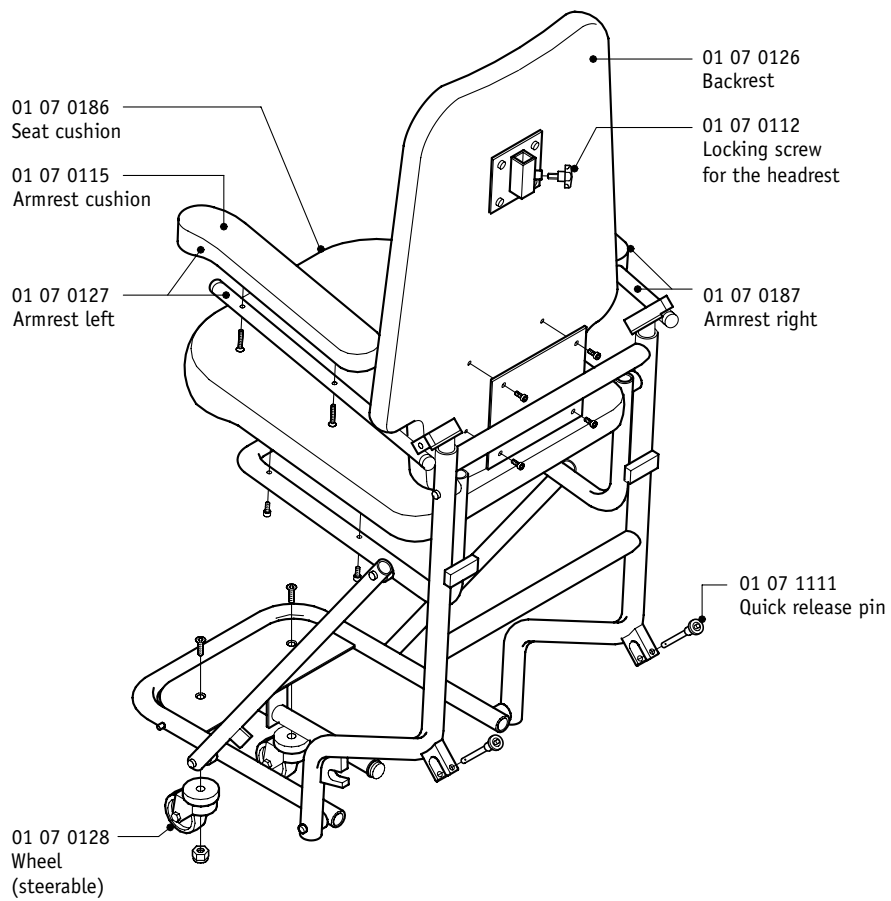


## Components



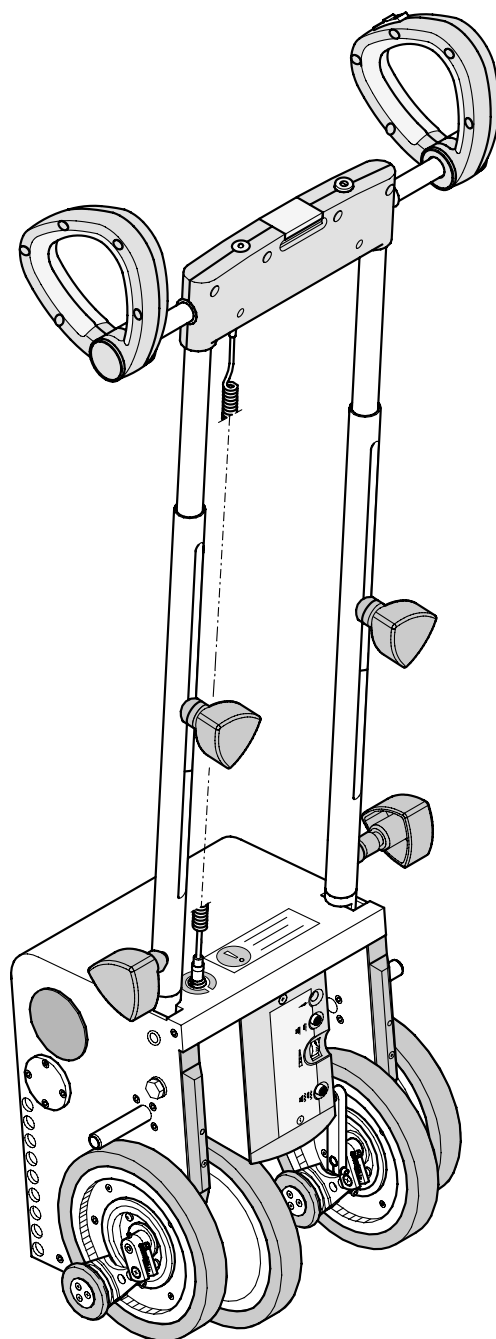


## scalachair X2 for S27/S25

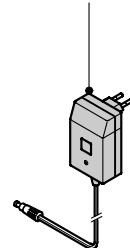




## Components



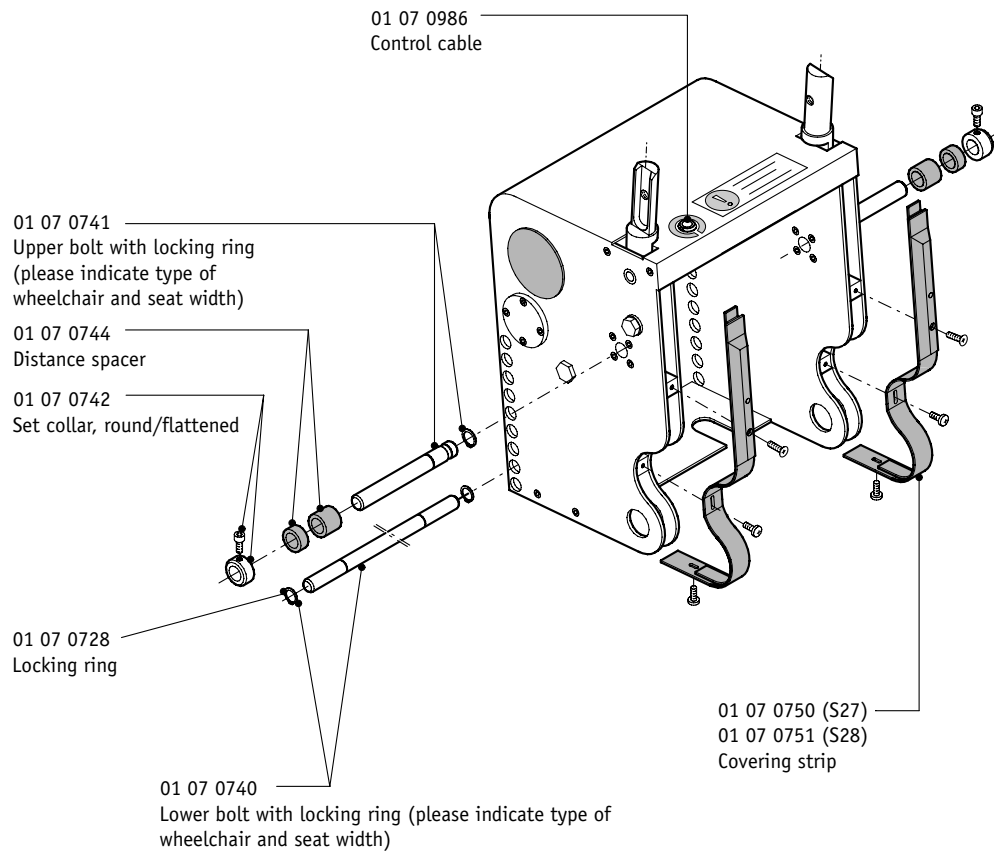
01 03 0420  
Battery charger, 90 - 230 V, 1 Ah



01 03 0421  
Adapter plug

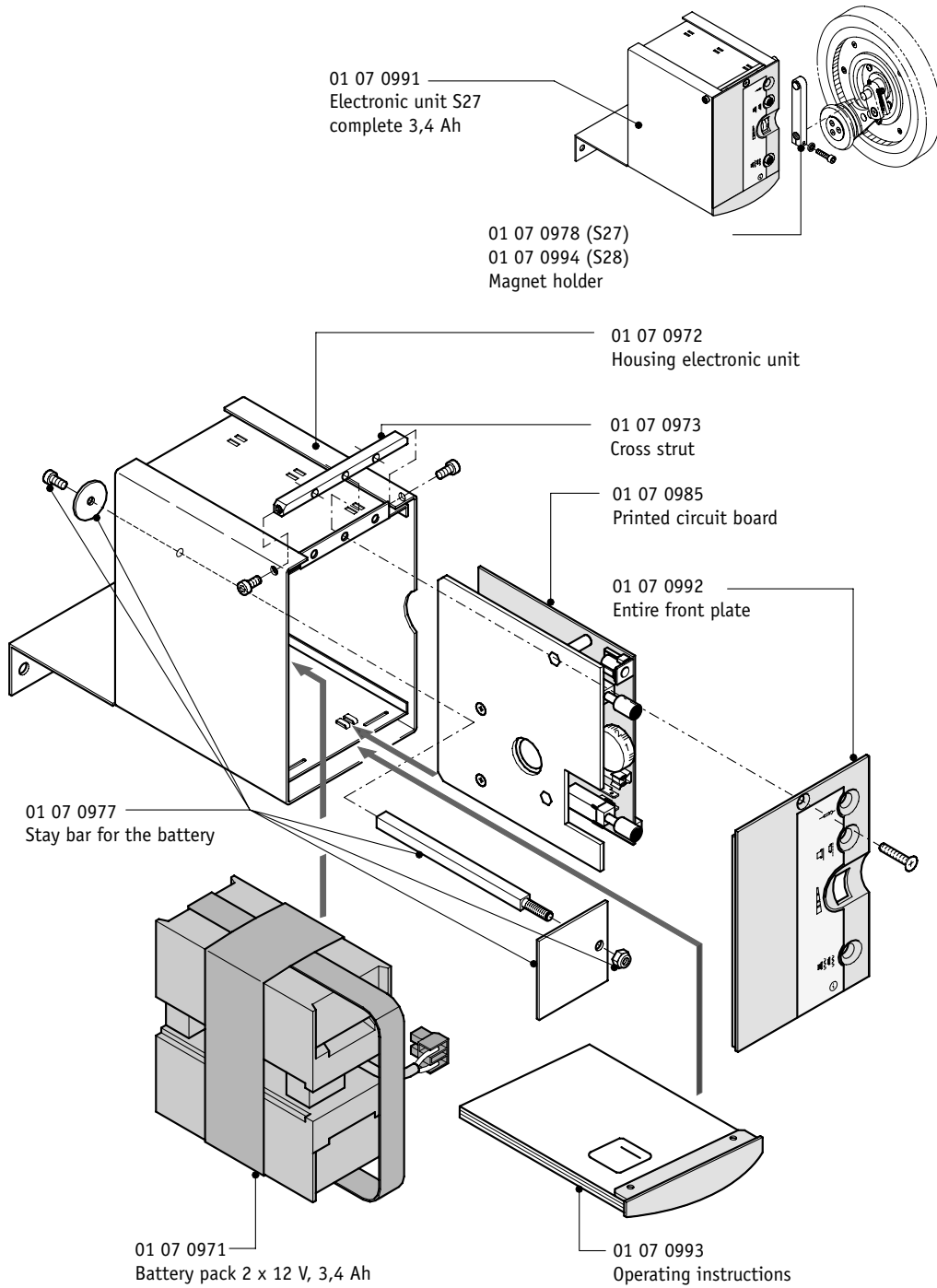


## Drive unit



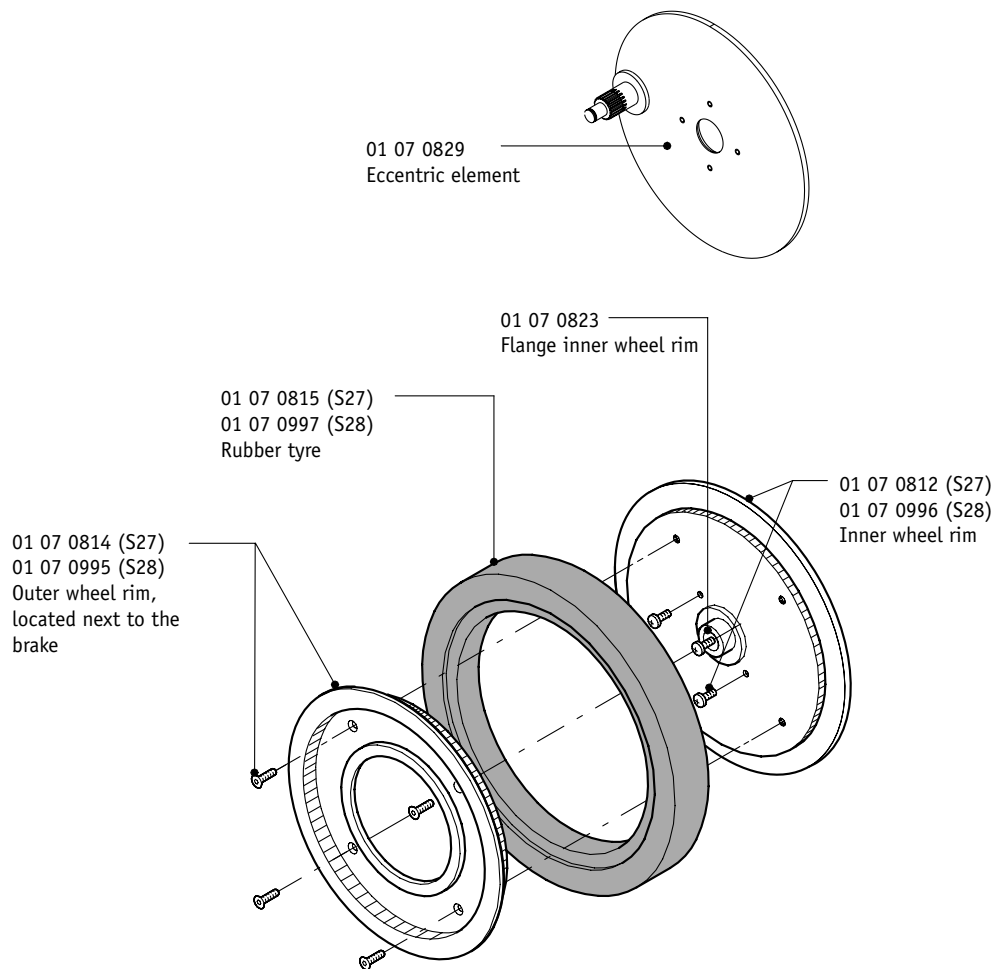


## Electronic unit



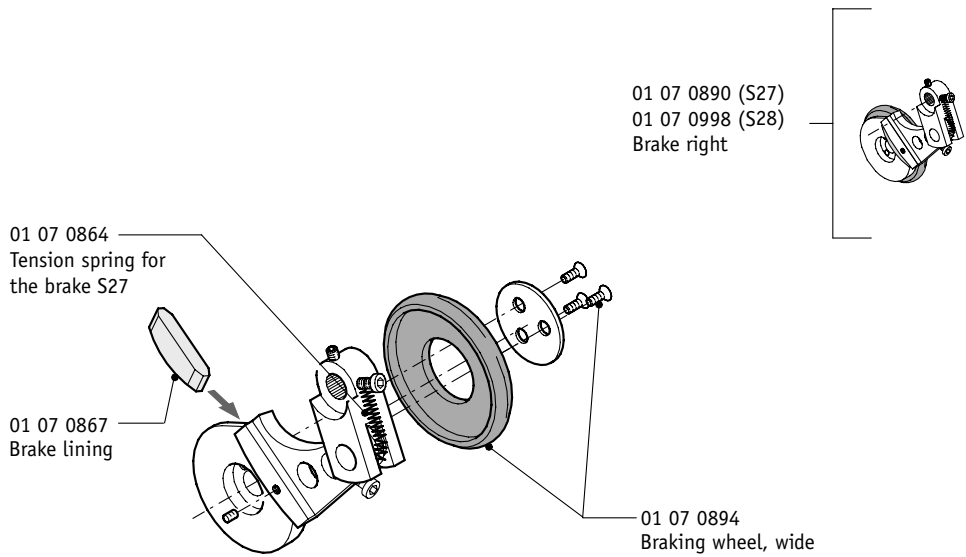
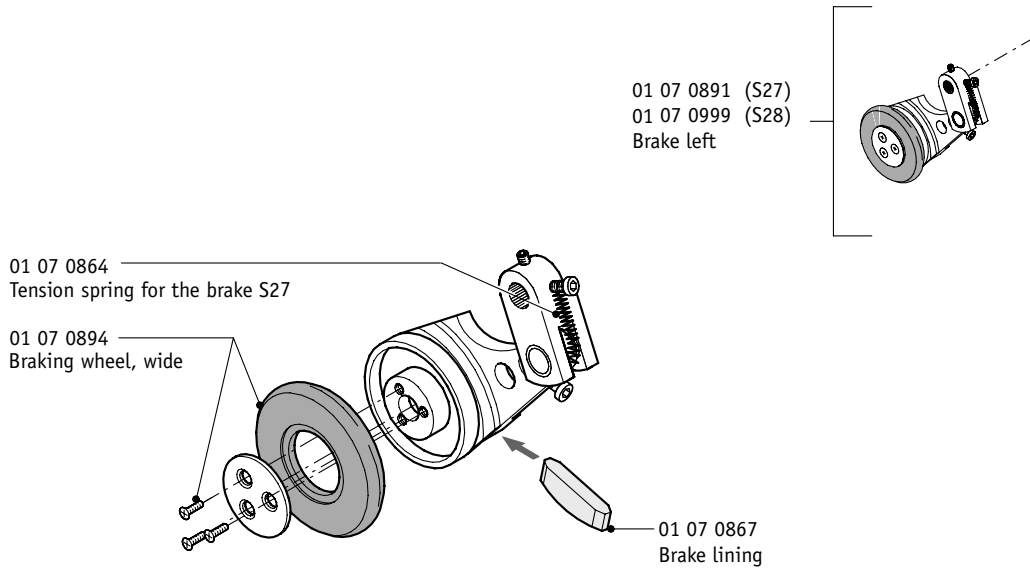


# Wheel



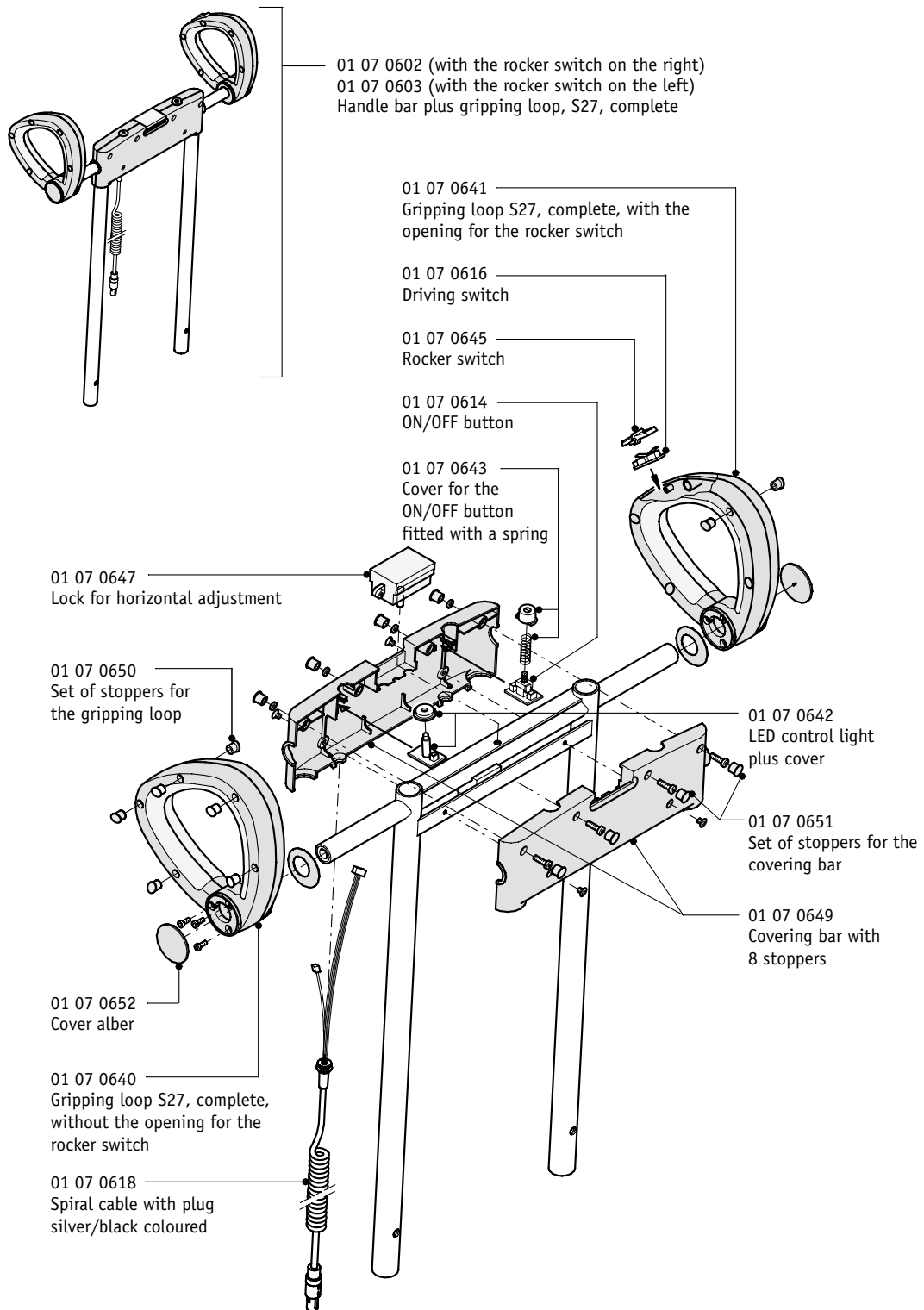


Brakes





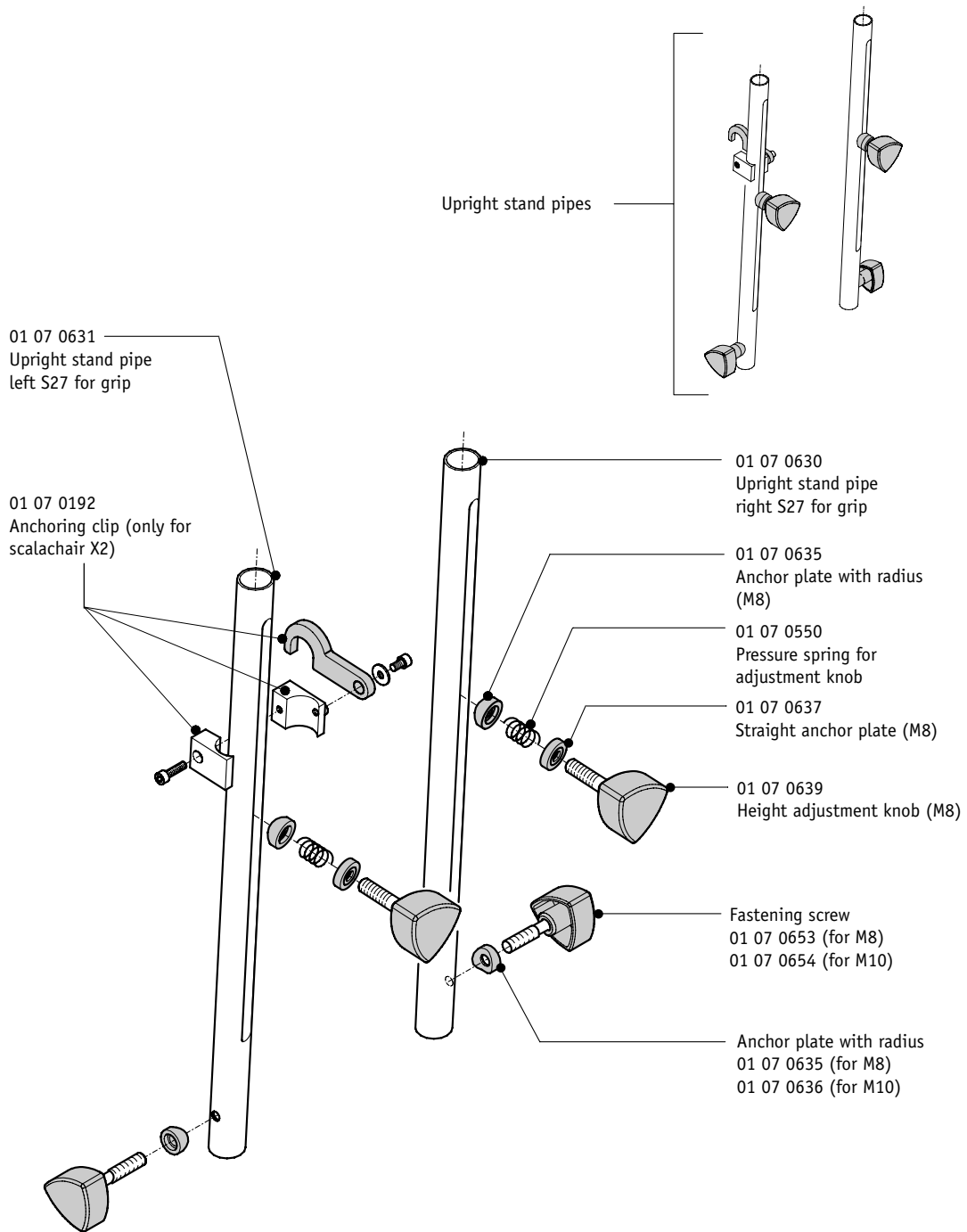
## Handlebar plus gripping loop





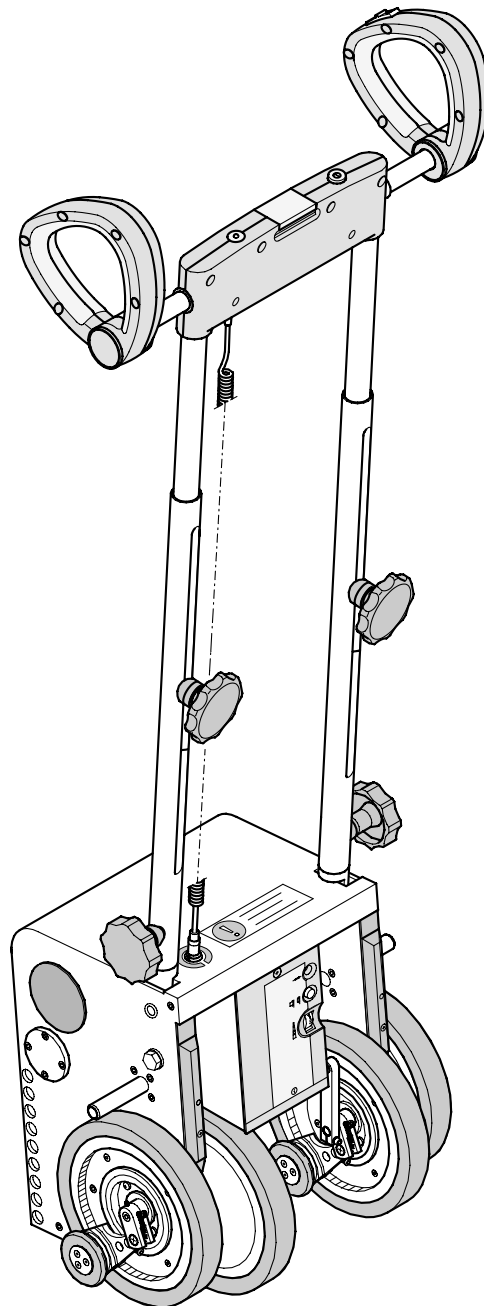


## Upright stand pipes

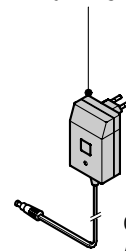




Components



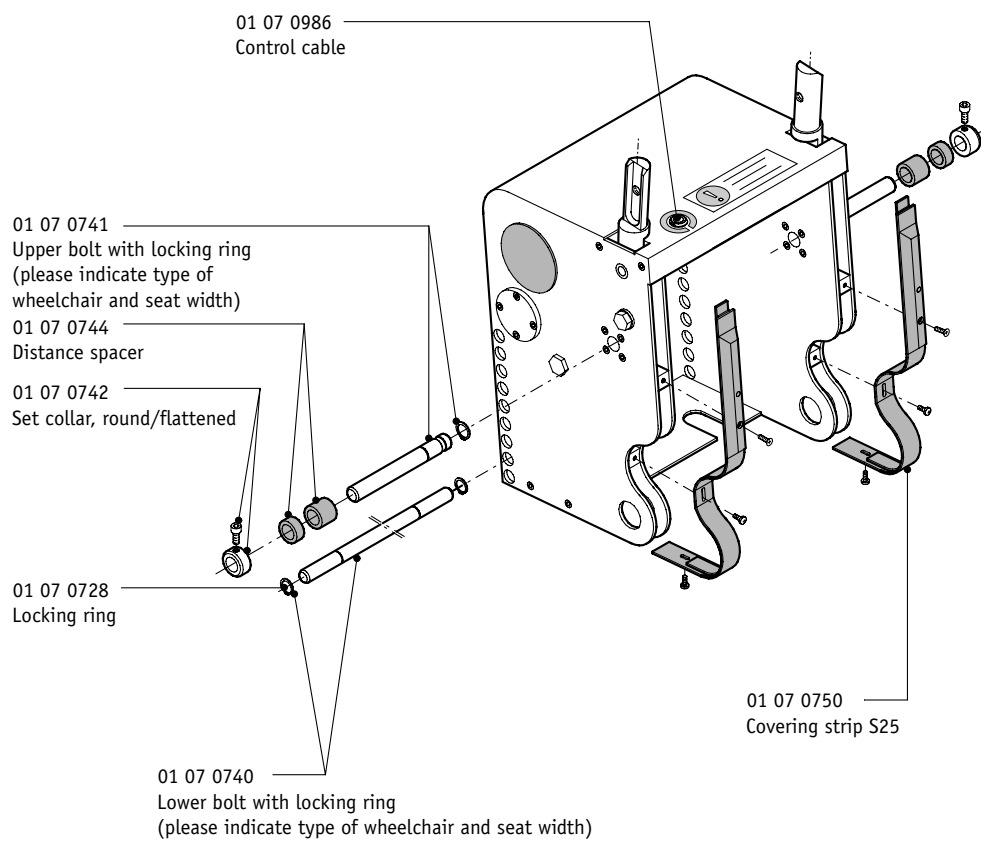
01 03 0420  
Battery charger, 90 - 230 V, 1 A†



01 03 0421  
Adapter plug

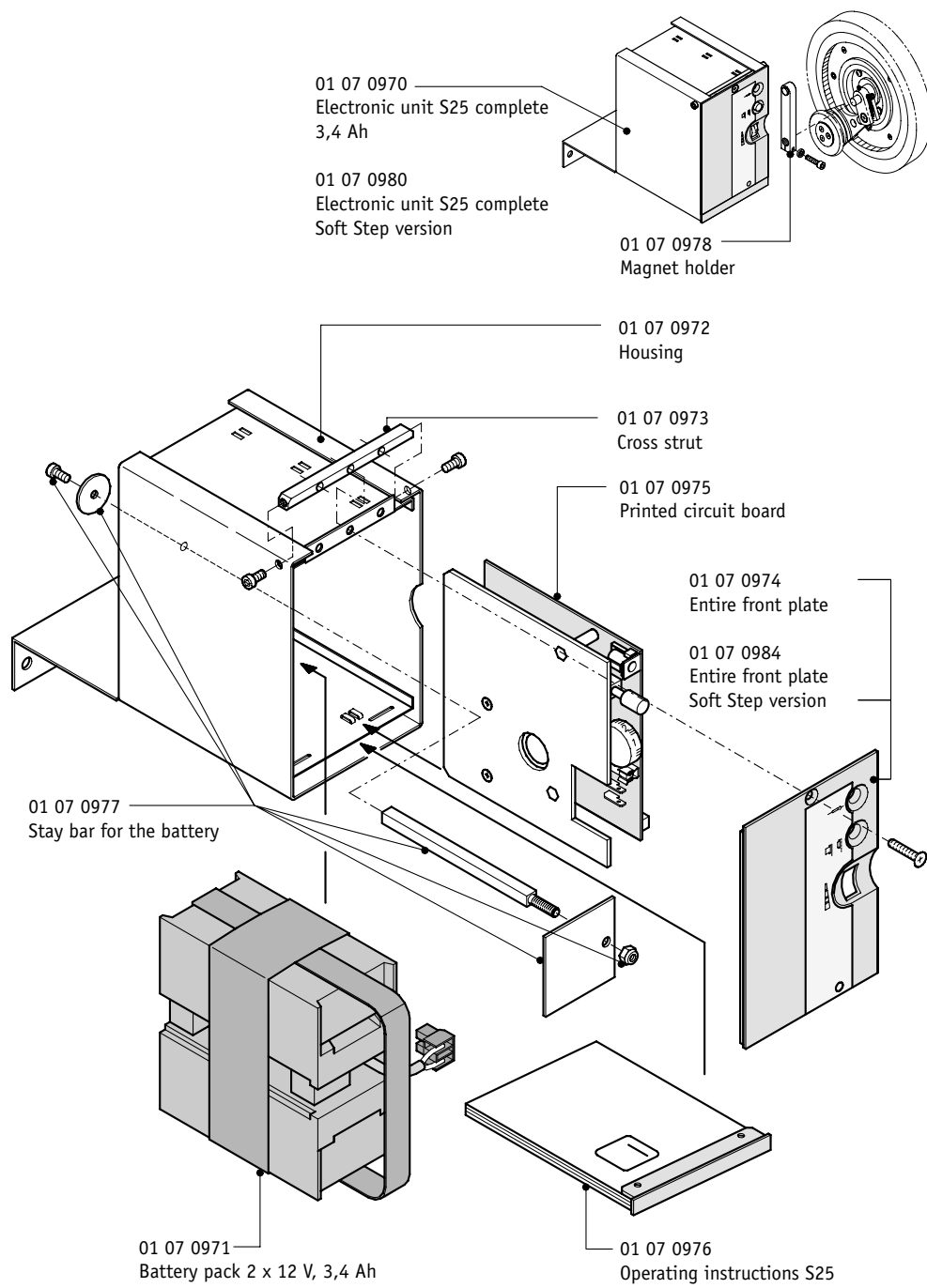


## Drive unit



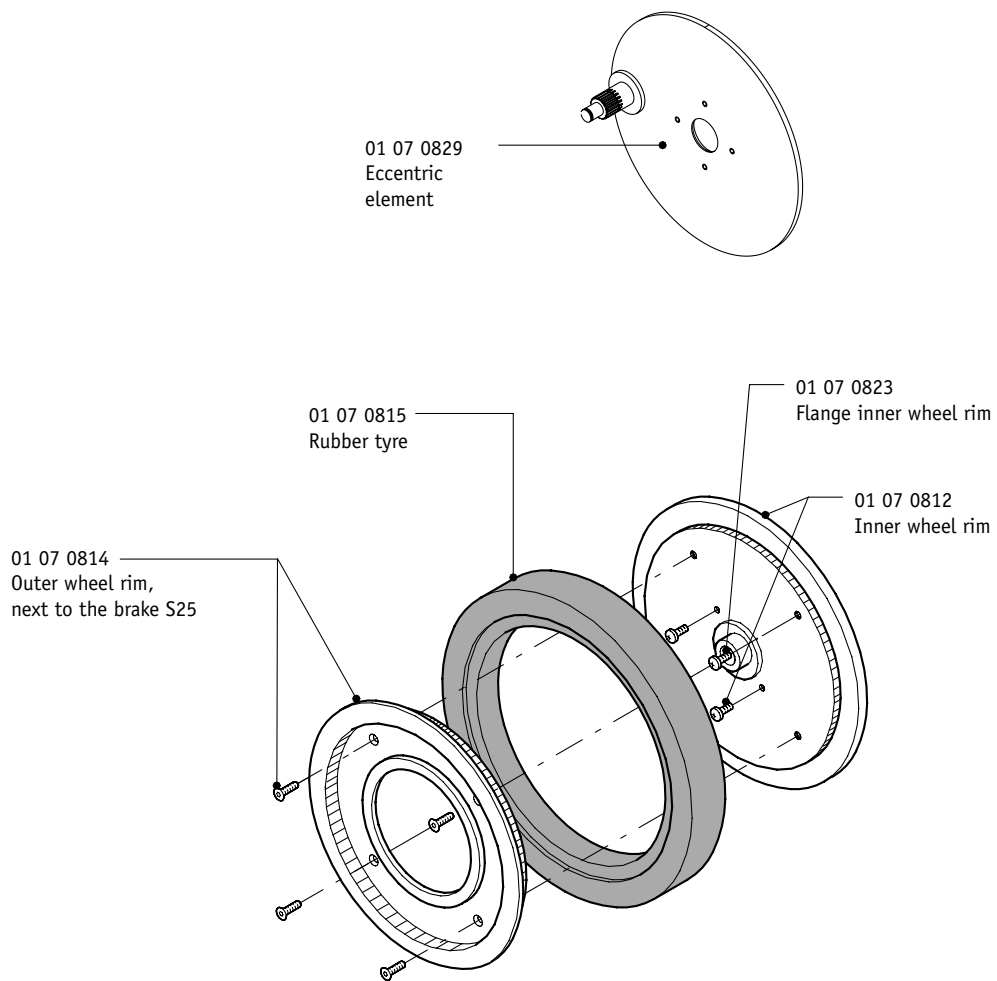


## Electronic unit





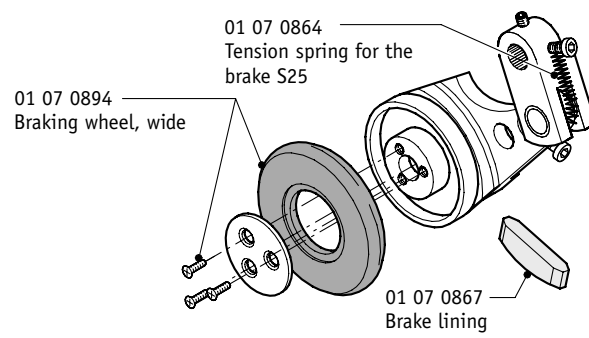
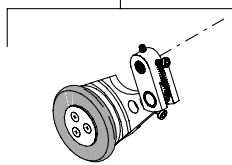
## Wheel



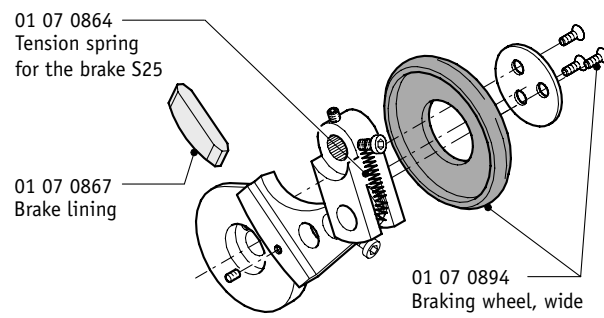
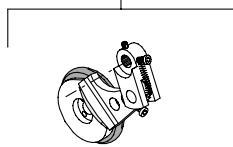


## Brakes

01 07 0891  
Brake left, wide S25

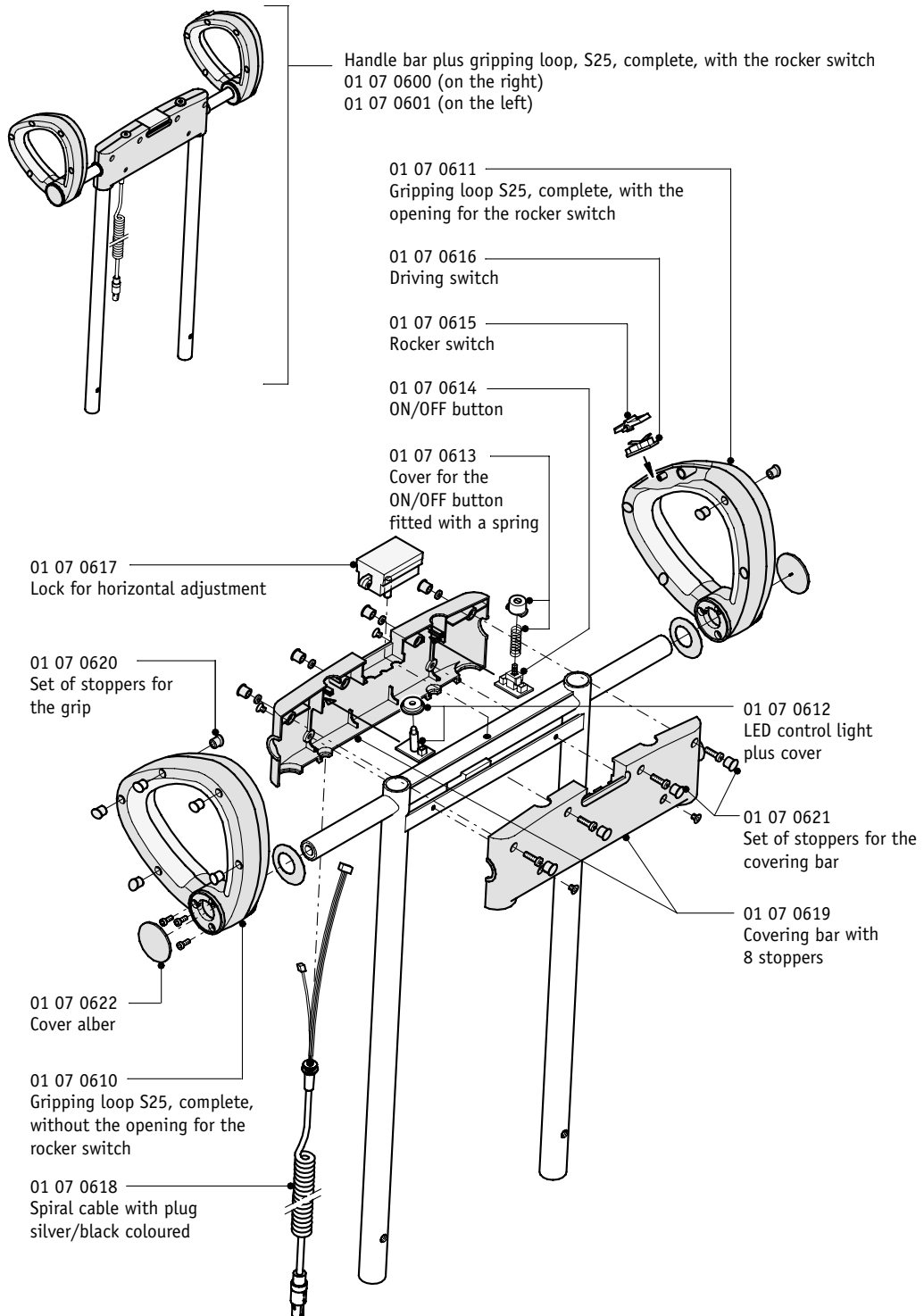


01 07 0890  
Brake right, wide S25





## Handlebar plus gripping loop





## Upright stand pipes

