

REDMAN®



POWER CHAIR

# REDMAN

## POWER CHAIR

2013 - 2014





# Changing the Definition of Power Chair

**Chairapy** (**chair** uh pee)  
**verb**, The act of moving your body therapeutically with the help of a fully reclining and standing power chair.

## Life Benefits of Standing-Tilt

Up in space - moveable

Mid-section open - improved bowel & bladder function

Weight off - reduction of sitting weight

Weight bearing  
Heel cord stretch



The Standing-Tilt Position



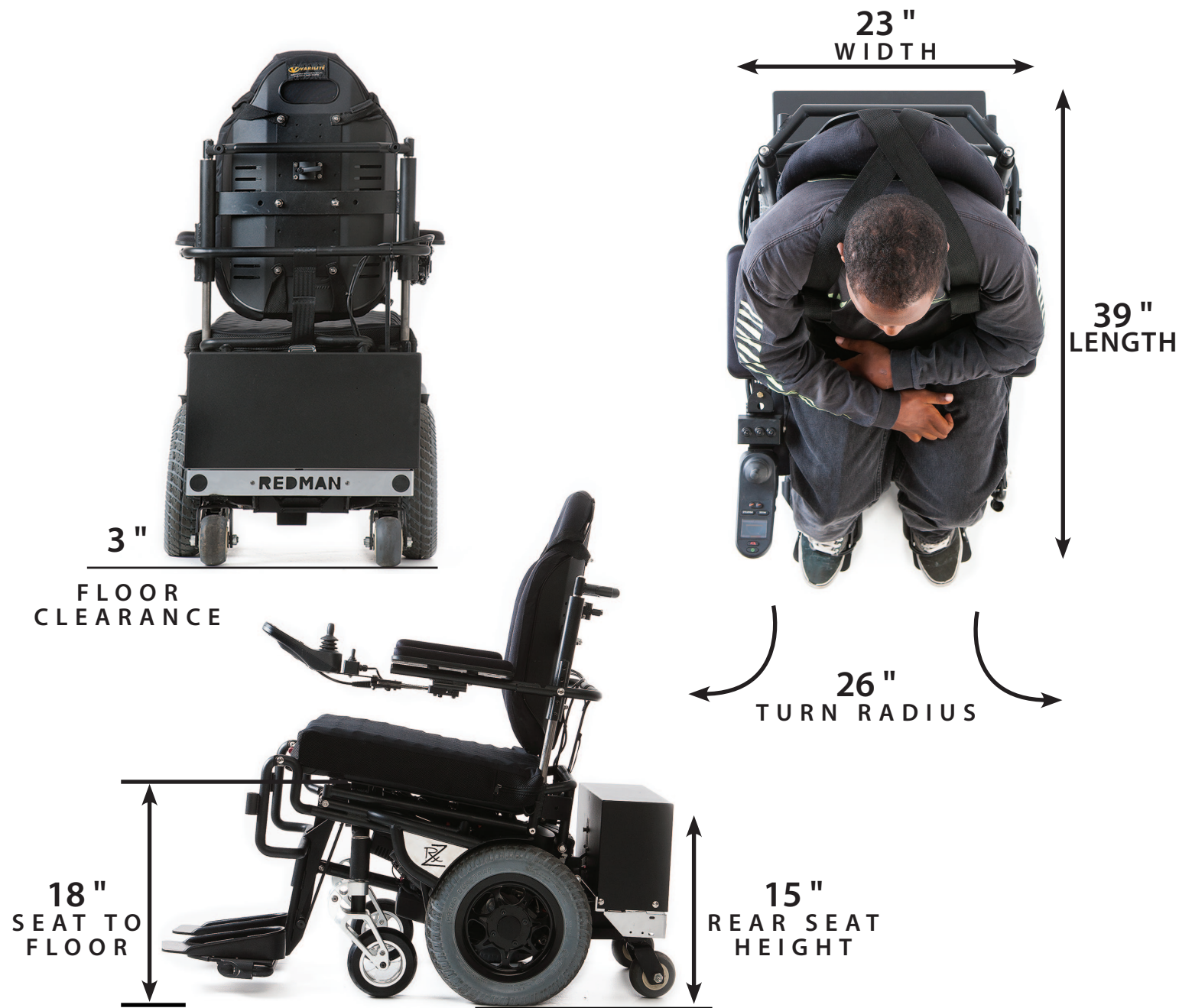
# Redman Power Chair Advances the 20 Year Legacy of the Chief 107ZRx for 2013



[www.RedmanPowerChair.com](http://www.RedmanPowerChair.com) • [info@redmanpowerchair.com](mailto:info@redmanpowerchair.com) • 1.800.727.6684

# Six Very Important Numbers for Your Environment:

## Standard Dimensions



## Technical Specifications

Weight including batteries	375 Lbs	Adjustable leg length	13" to 17"
Maximum user weight	350 Lbs	4-Wheel suspension	Yes
Seat width	16 to 22 inches	Uneven ground compensation	Yes
Seat depth	16 to 22 inches	Range	15 to 20 miles
Backrest height	18.5 to 26.5 inches	Maximum speed	6.5 MPH standard / 9 MPH option
Armrest height	10 to 15 inches	Warranty	1 Year parts & labor
Distance between arms	14 to 21.5 inches		

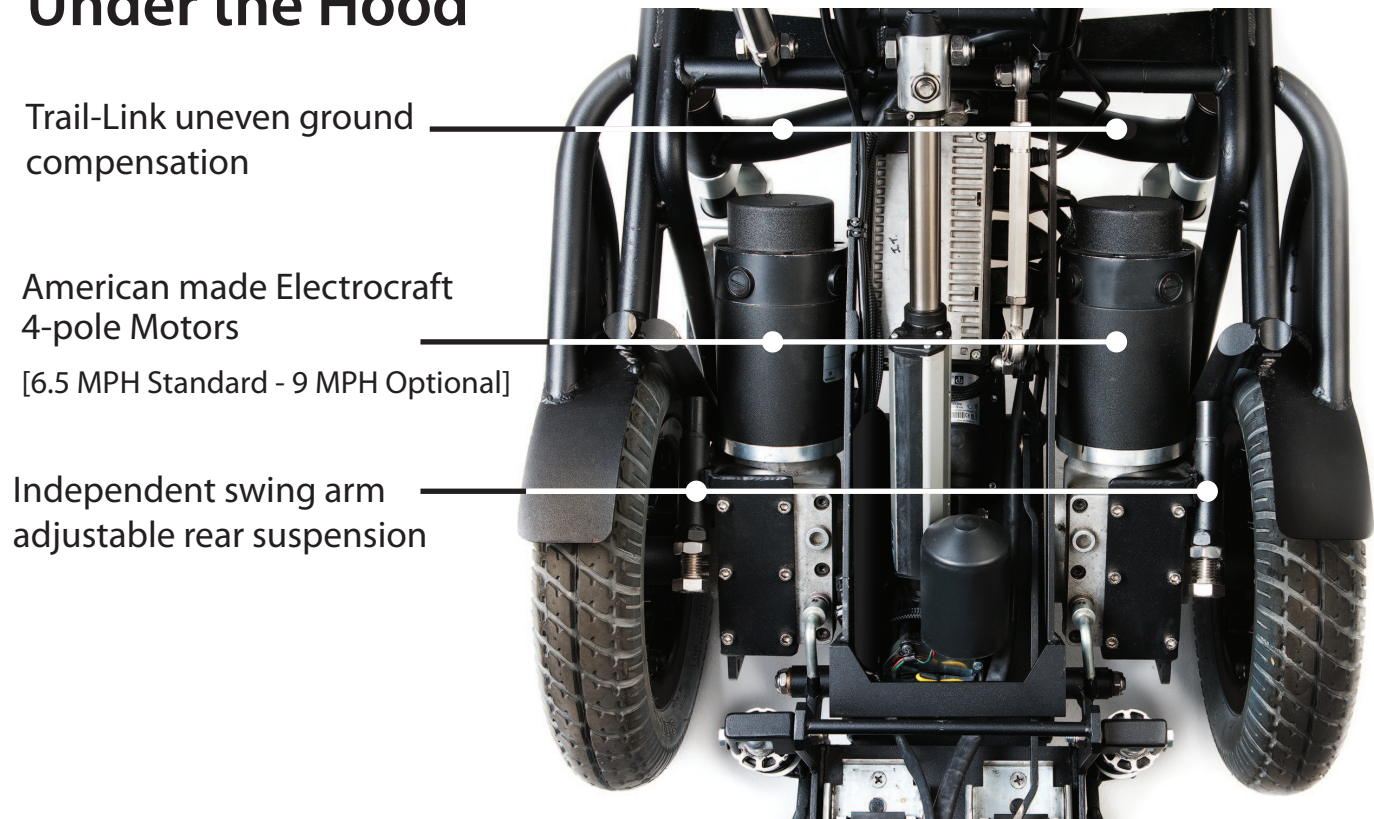


# Features



---

# Under the Hood





# Ten Reasons Your Next Chair Should be a Redman

- 1 Mobility** – The Redman standing powerchair provides unparalleled access, comfort and mobility. By manufacturing in the USA with uncompromising dedication to engineering, quality and safety we have created a unique machine with infinite possibilities.
- 2 Factory Direct Sales** - We are a medical equipment manufacturer. We are more than a wheelchair dealer. By eliminating the middle man we are able to provide greater value to the user.
- 3 Factory Direct Service** - Factory qualified representatives work to make sure we exceed expectation.
- 4 Technical Support** - Twenty four hour phone and tech support. Got a problem just call anytime, seven days a week.
- 5 Parts availability** - Since we build the chair we have the parts when you need them.
- 6 Tailor Made** - Guaranteed to fit and function. Redman builds your chair intrinsically as one piece specifically for you.
- 7 Insurance & Billing service** - We do it all for you. Our insurance experts are experienced and knowledgeable. We also provide payment plans as needed.
- 8 In home Demonstrations** – We come to you and let you try our chair in your home or other environment.
- 9 Options** - Also available with an endless list of options.
- 10 Only One** - We believe our continuous focus on only one chair is the primary reason for our success.

---

## Testimonial

"At first our love for the Redman Power Chair was simply being able to stay at our home in Montana, where we had no sidewalks available to us for 5 miles. Although this is wonderful, the health benefits have even superseded this first love. As a C3 complete spinal cord injury tetraplegic, Bob has been free of any pressure sores, has not had any urinary tract infections for eight years as of March, 2012 and is not on any anti-spasm medications.

Being able to stand several times a day keeps him in the very best health possible."



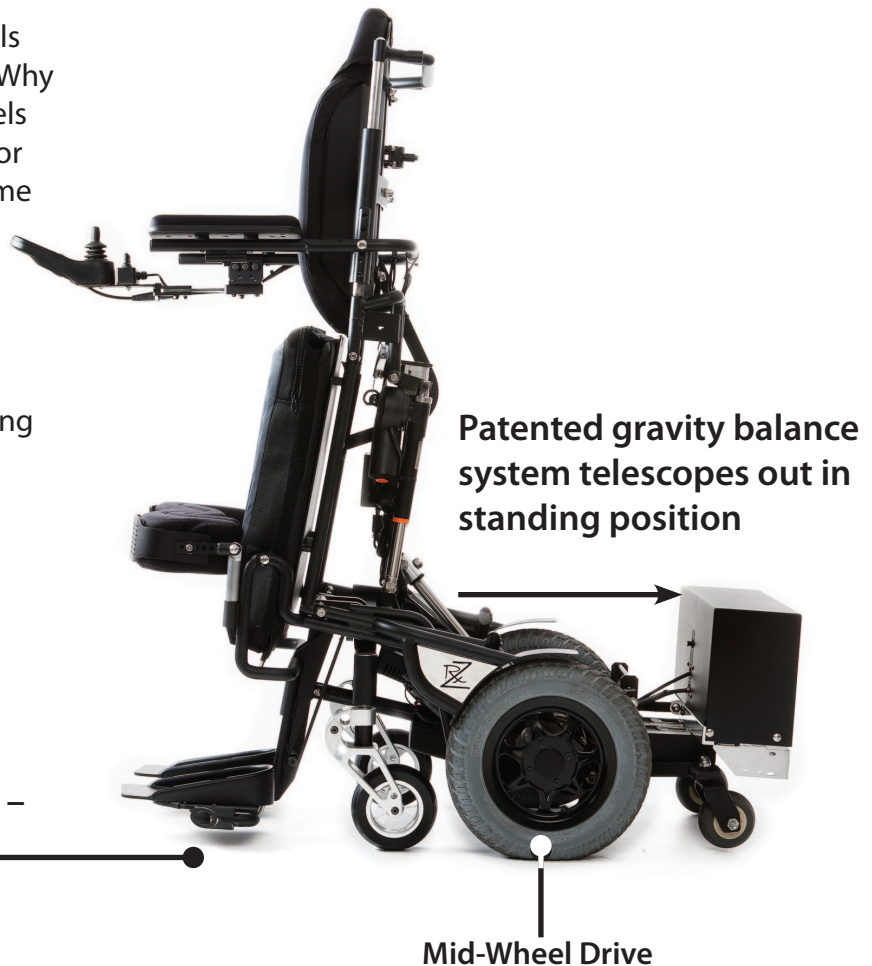


# It's in the Details

What you *do not* see also has significance.

Our chair does not have any small wheels located around or under the foot plate. Why does this make a difference? Small wheels stop easily on small things like pebbles or carpets resulting to damage to your home or someone else's.

Our system will "float" you with our patented counter balanced system, resulting in excellent stability and maneuverability while arriving in standing positions.



**Look! No small wheels – we float you.**

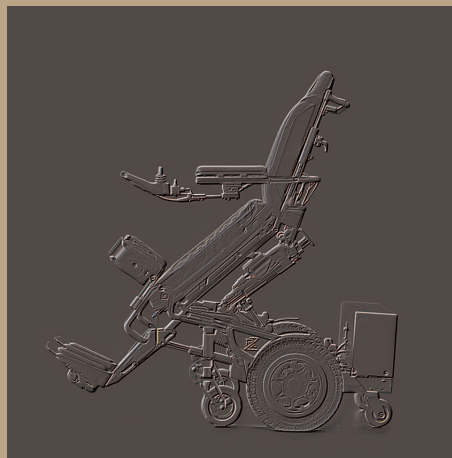
## The Significance of Drive-Wheel Position

Here at Redman Power Chair, we spent a lot of time to make our original design mid-wheel driven. Why are mid-wheel driven chairs the most popular drive position? There are six reasons for this choice:

- 1) Having the drive wheels in mid-position makes turning natural and intuitive. The smaller the arc, the less centripetal force endured – which is important for trunk stability and maneuverability.
- 2) Traction and control are improved with mid-wheel driven chairs. Power chairs, unlike automobiles, have more traction when the wheels are toward the rear of the chair – as most of the weight is there. Front-wheel driven chairs suffer the most as traction is decreased.

- 3) Stability and traction is improved for going up and down ramps.
- 4) Speed and directional stability are improved.
- 5) Traversing slopes is easier as momentum is improved.
- 6) Drive wheels do not have to work as hard to spin casters – especially on soft surfaces.





**1.800.727.6684**

**[info@redmanpowerchair.com](mailto:info@redmanpowerchair.com)**

**[www.RedmanPowerChair.com](http://www.RedmanPowerChair.com)**

**1601 S Pantano Road Suite 107  
Tucson, AZ 85710**