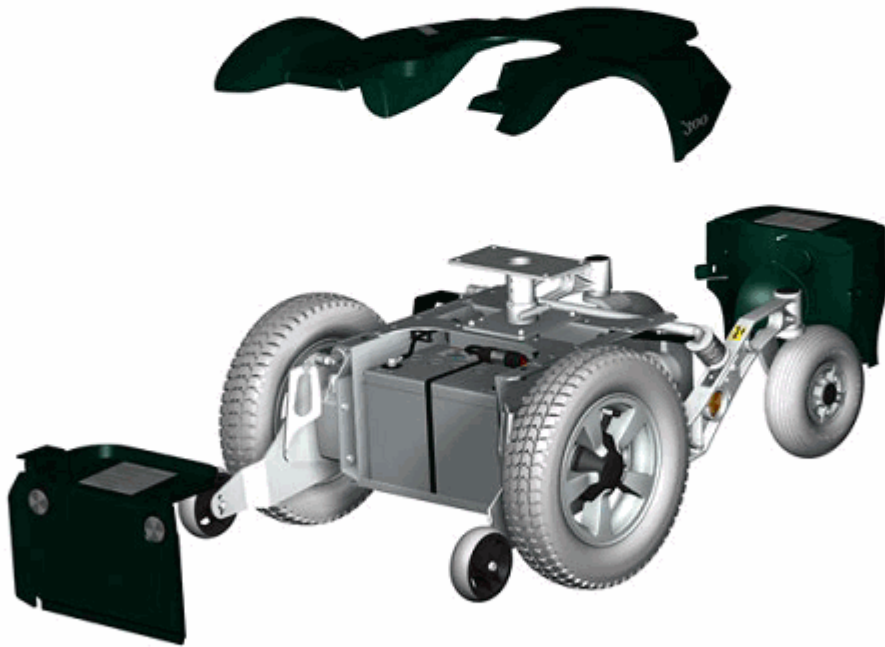


SPARE PART CATALOG

RESERVDELSKATALOG

C300IK300

Power Wheelchair
Elektrisk rullstol



C300/K300

Spare Part Catalog Reservdelskatalog

CONTACT PERMOBIL:

Permobil AB
Box 120
861 23 Timrå
Sverige
Tel: 060-59 59 00
Fax: 060-57 52 50
E-post: info@permobil.se

Permobil Inc. USA
6961 Eastgate Blvd.
Lebanon, TN 37090
USA
Phone: 800-736-0925
Fax: 800-231-3256
Email: info@permobilusa.com

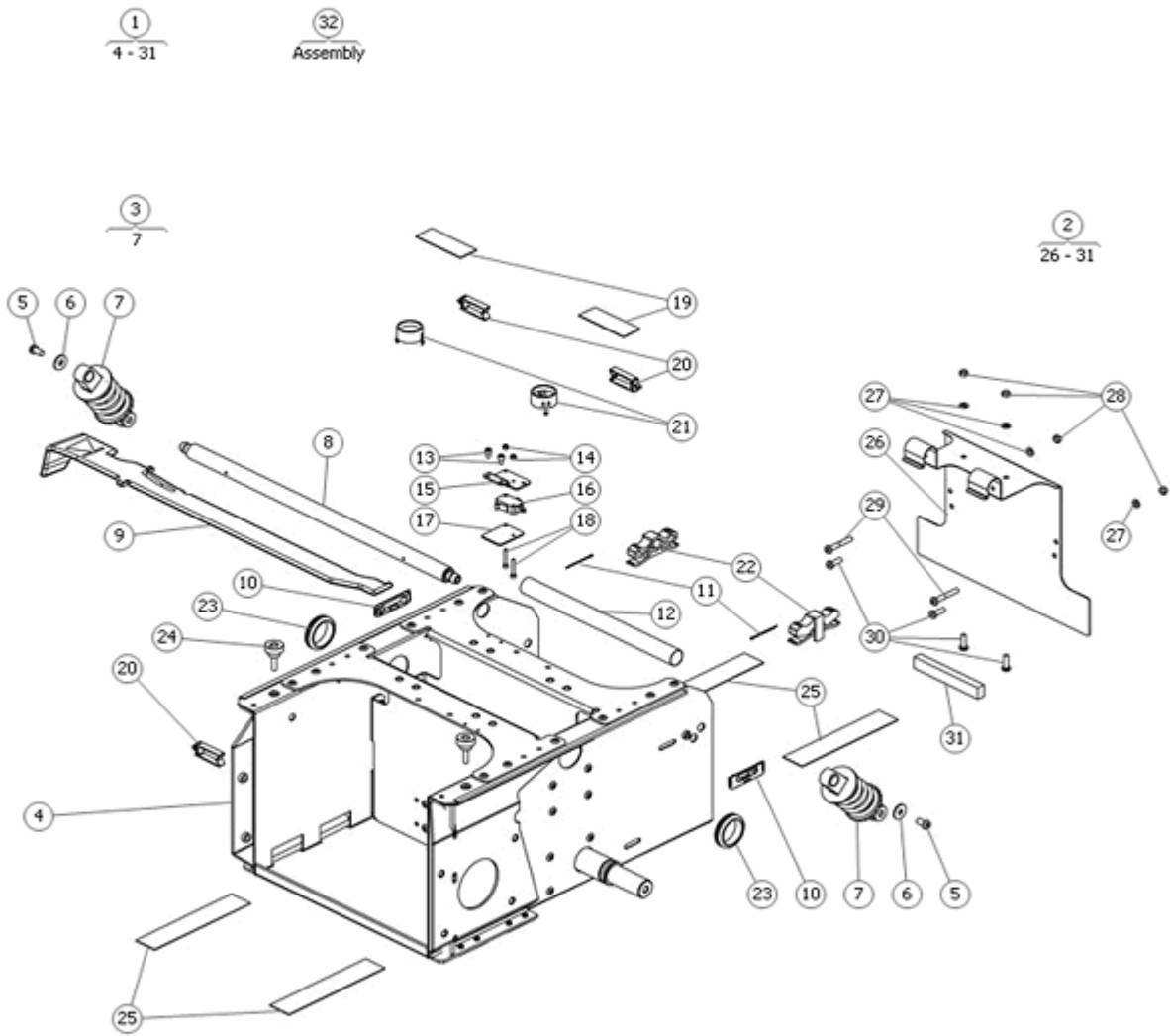
Permobil AS
Hvamsvingen 22
2013 Skjetten
Norge
Tlf. 48 12 90 00
Fax. 63 84 48 50
E-post: firmapost@permobil.no

Permobil Europe BV
De Doom 22
NL-6419 CX Heerlen
Netherlands
Tel: +31 (0)45 564 54 90
Fax: +31 (0) 45 564 54 91
Email: europe@permobil.nl

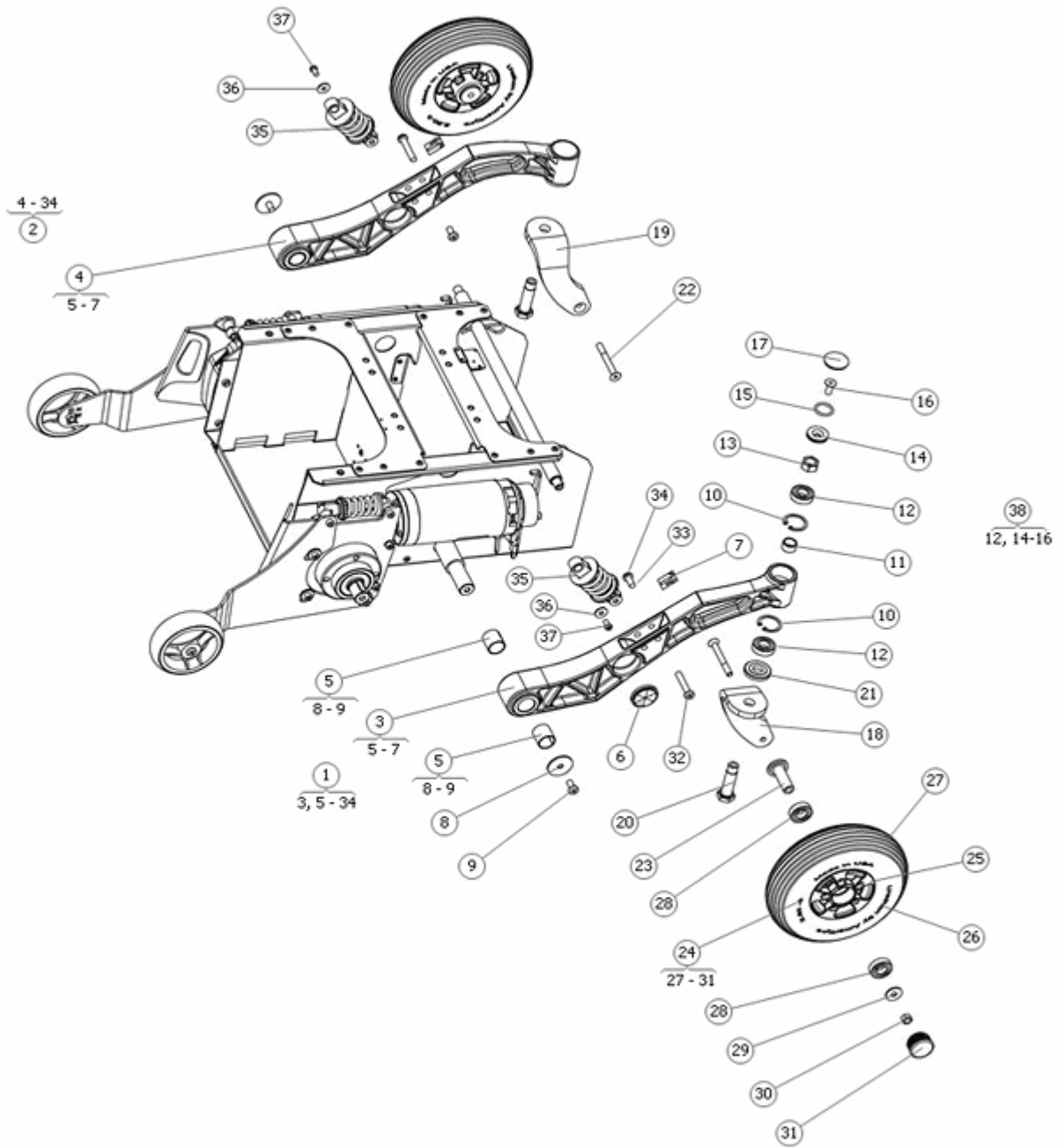
Produced and published by Permobil AB, Sweden
Edition no. 2, 2009-05
Order no: 201245-SV-0

Contents	Page
Chassis	6 - 7
Rear Wheel Suspension	8 - 9
Driving Unit and Front Wheel Suspension.....	10 - 11
Wheels Three Spoke.....	12 - 13
VSI Electronics	14 - 15
Pilot+ Cable Harness and Electronics.....	16 - 17
Electronics VR2.....	18 - 19
Electronics R-net.....	20 - 21
Seat Tube Fixed Position	22 - 23
Seat Elevator.....	24 - 25
Seat Tilt	26 - 27
Covers.....	28 - 29
Lighting	30 - 31
Ordering Information	32 - 33

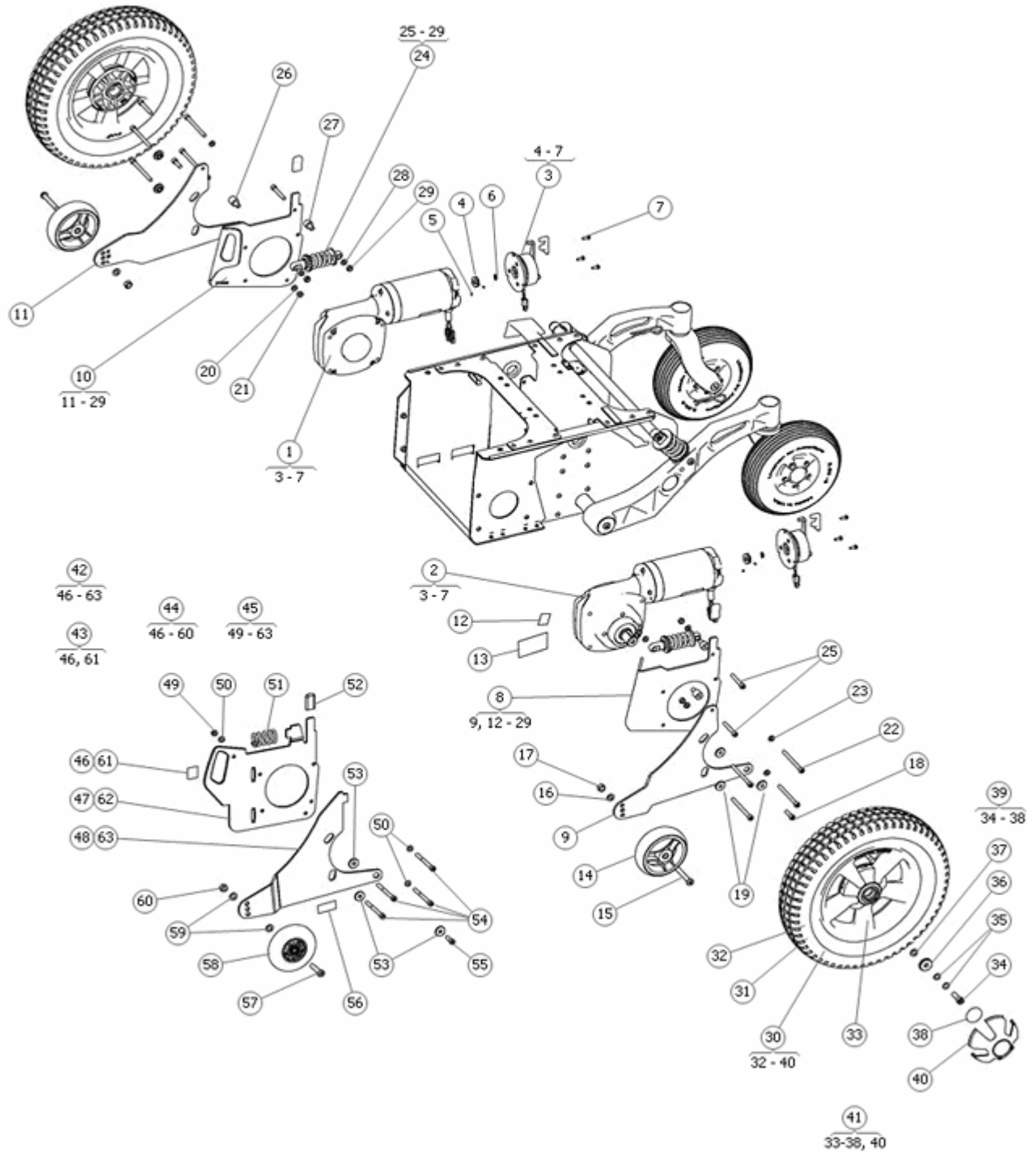
Innehåll	Sida
Chassi	6 - 7
Hjulupphängning bak	8 - 9
Drivpaket och främre hjulupphängning.....	10 - 11
Trekrade hjul	12 - 13
VSI-Elektronik.....	14 - 15
Pilot+ Kablage och Elektronik	16 - 17
Elektronik VR2.....	18 - 19
Elektronik R-net.....	20 - 21
Fast sitsrör.....	22 - 23
Sitslyft.....	24 - 25
Sitslutning.....	26 - 27
Kåpor.....	28 - 29
Belysning.....	30 - 31
Beställningsinformation	32 - 33



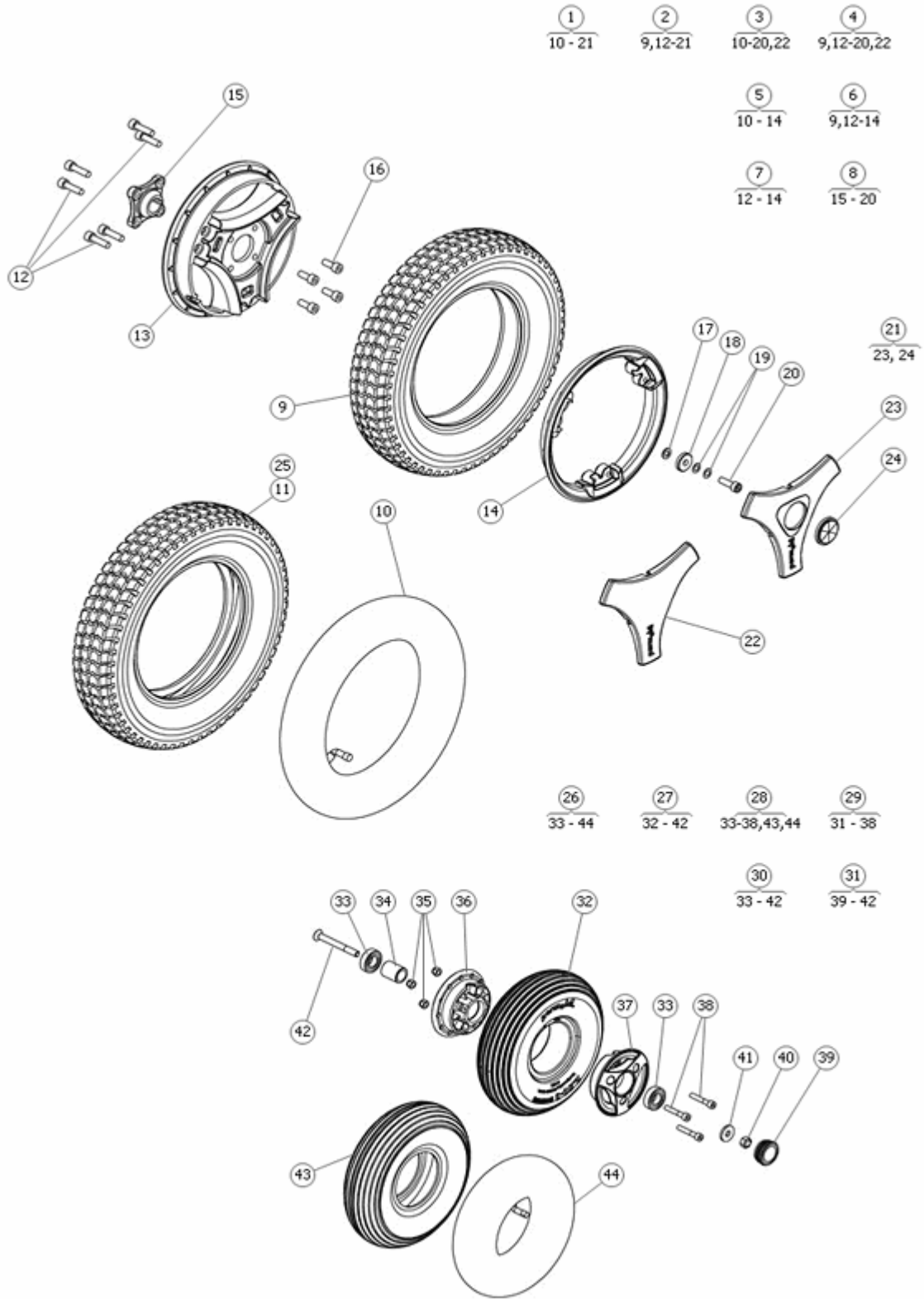
Pos	Qty	Stock Code	Description	Remark
1	1		Box assembly	
2	1	1824054	BRACKET ELECTRONIC C300	
3	1	1824409	SHOCK ABSORBER K450 pair	Pair
4	1		Box	
5	2	601422-99-0	BOLT K6S 6x12 fzb	
6	2		WASHER, ISO 7093-1 6,4x18x1,6 fzb	
7	2	1820451	SHOCK ABSORBER, REAR-C300	
8	1		Shaft	
9	1	1823241	BRAKE RELEASE ARM C300	
10	2	1821861	BUSHING BRAKE REL C300	
11	2		Cotter pin, Ø3,2x32 DIN 94	
12	235		PVC tube	
13	2		Screw, M4x6 Fe/Zn ISO 4762	
14	2	600578-99-0	LOCK NUT M3 FZB	
15	1		Plate	
16	1	1822469	SWITCH BRAKE RELEASE C300	Switch and cable
17	1		Plate	
18	2		Screw, M3x20 Fe/Zn ISO 4762	
19	2		Velcro tape, L = 70 mm	
20	4		Wire saddle	
21	2		Squeeze guard	
22	2	1824230	HOLDER BATTERY	
23	2		Grommet	
24	2		Lock handle	
25	4		Velcro tape, L = 150 mm	
26	1		Bracket	
27	4	600237-99-0	WASH M5 FLAT	
28	4	600226-99-0	LOCK NUT M5 FZB	
29	2		Screw, M5x35 Fe/Zn ISO 7380	
30	4	601170-99-0	BOLT M5 x 16mm BHCS	
31	1		Sealing strip	
32	1	1824352	CHASSIE C300 "PREMOUNTED"	Incl. motors, sleeve brackets, rear wheels, antitippers..



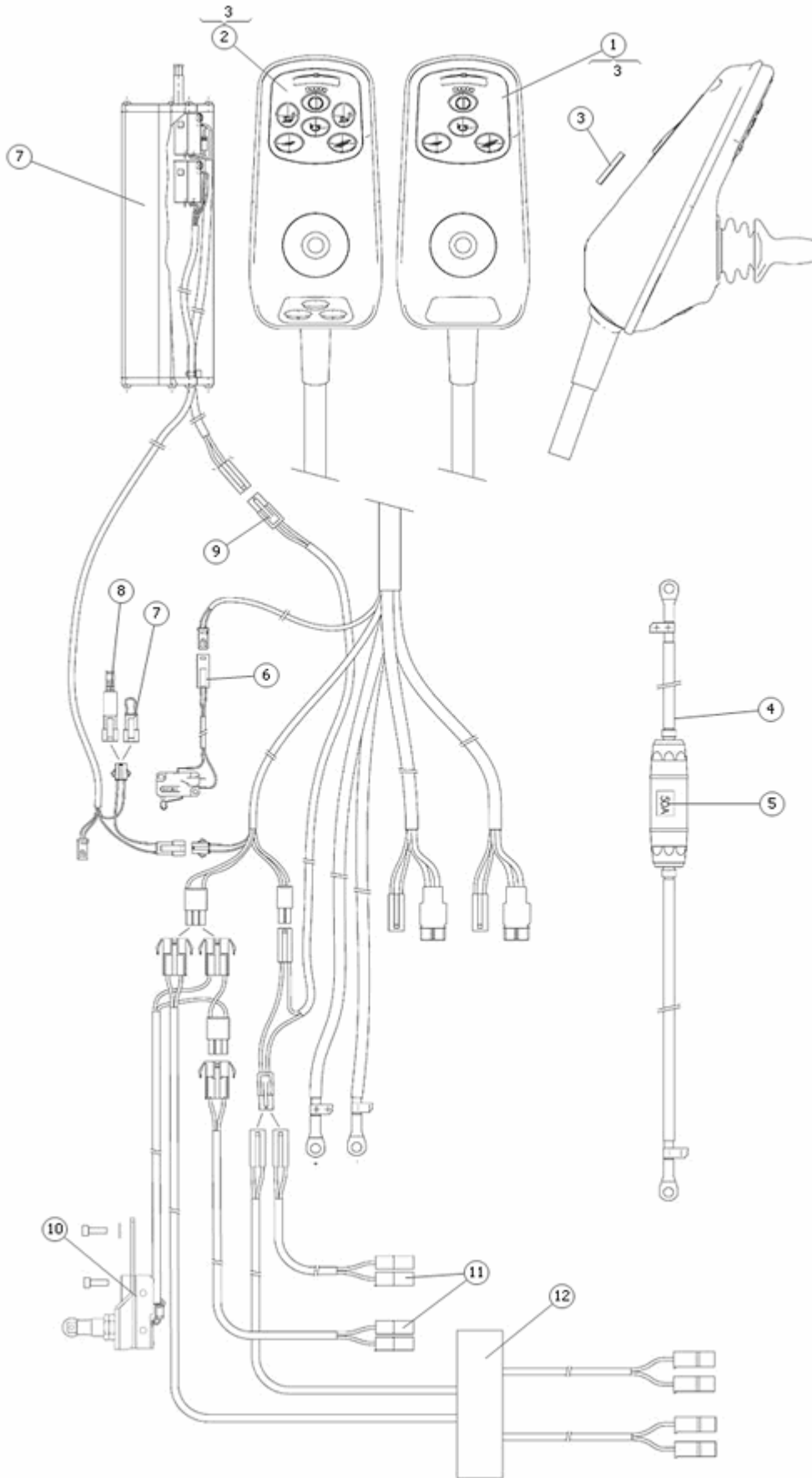
Pos	Qty	Stock Code	Description	Remark
1	1		Wheel Unit Rear Left	
2	1		Wheel Unit Rear Right	
3	1	1820449	SLEWING BRACK. LEFT C300	
4	1	1820450	SLEWING BRACK. RIGHT C300	
5	2	1820452	SLIDE BEAR KIT SLEWING	pos. 8 and 9 is included
6	1	1820324	REFLECTOR SIDE STR	
7	1	1820459	DECAL SET HOOKBRACKET	
8	1		Washer 37x8,1x2,5	
9	1		Screw ISO 7380 M8x16 fzb, locking coat DIN 267-28	
10	2	600751-99-0	CIRCLIP SGH 32	
11	1	1820453	SPACER WHEELFORK C300	
12	2	600752-99-0	BALL BEARING 6002-2RS1	
13	1		Nut DIN 934 M14x1,5 fzb	
14	1		Plate Frictionbrake	
15	1	1820404	RUBBER RING 24,2x3 EPDM	
16	1		BOLT ISO 104642 M8x20 ESL *	
17	1	311314-99-0	PL PLUG REAR WHEEL C500	
18	1	1820455	WHEELFORK LEFT C300	
18	1	1822413	WHEELFORK PATTERN LEFT	
19	1	1820456	WHEELFORK RIGHT C300	
19	1	1822414	WHEELFORK PATTERN RIGHT	
20	1	1820457	BOLT WHEELFORK C300	
21	1	1820454	SPACER WASHER WHEELFORK	
22	1	1821264	SCREW MF6S 8x 75 fzb	
23	1	1820458	SOCKET WHEELFORK C300	
24	2		WHEEL 210x65 AIR REAR CH2 CH2k	
25	1	1822416	RIM 210x65 3-SPOKE	
26	1	602568-99-0	TUBE 210x65 REAR CH2k	
27	1	602569-08-0	TIRE 210x65 REAR AIR	
27	1	612397-08-0	TIRE 210x65 REAR SOLID	
28	2	600752-99-0	BALL BEARING 6002-2RS1	
29	1	305390-99-0	WASH 8.5x23x3 fzb	
30	1	600228-99-0	NYLOCK NUT M8	
31	1	602798-00-0	PLASTIC PLUG IKP 3531-33S	
32	1	601884-99-0	BOLT K6S 8x45 fzb	
33	1	600239-99-0	WASH BRB 8.4x16x1,6 fzb	
34	1	600228-99-0	NYLOCK NUT M8	
35	1	1820451	SHOCK ABSORBER, REAR-C300	
36	2		WASHER, ISO 7093-1 6,4x18x1,6 fzb	
37	2	601422-99-0	BOLT K6S 6x12 fzb	
38	2	1825109	INSTALL KIT WHEELFORK PVT	



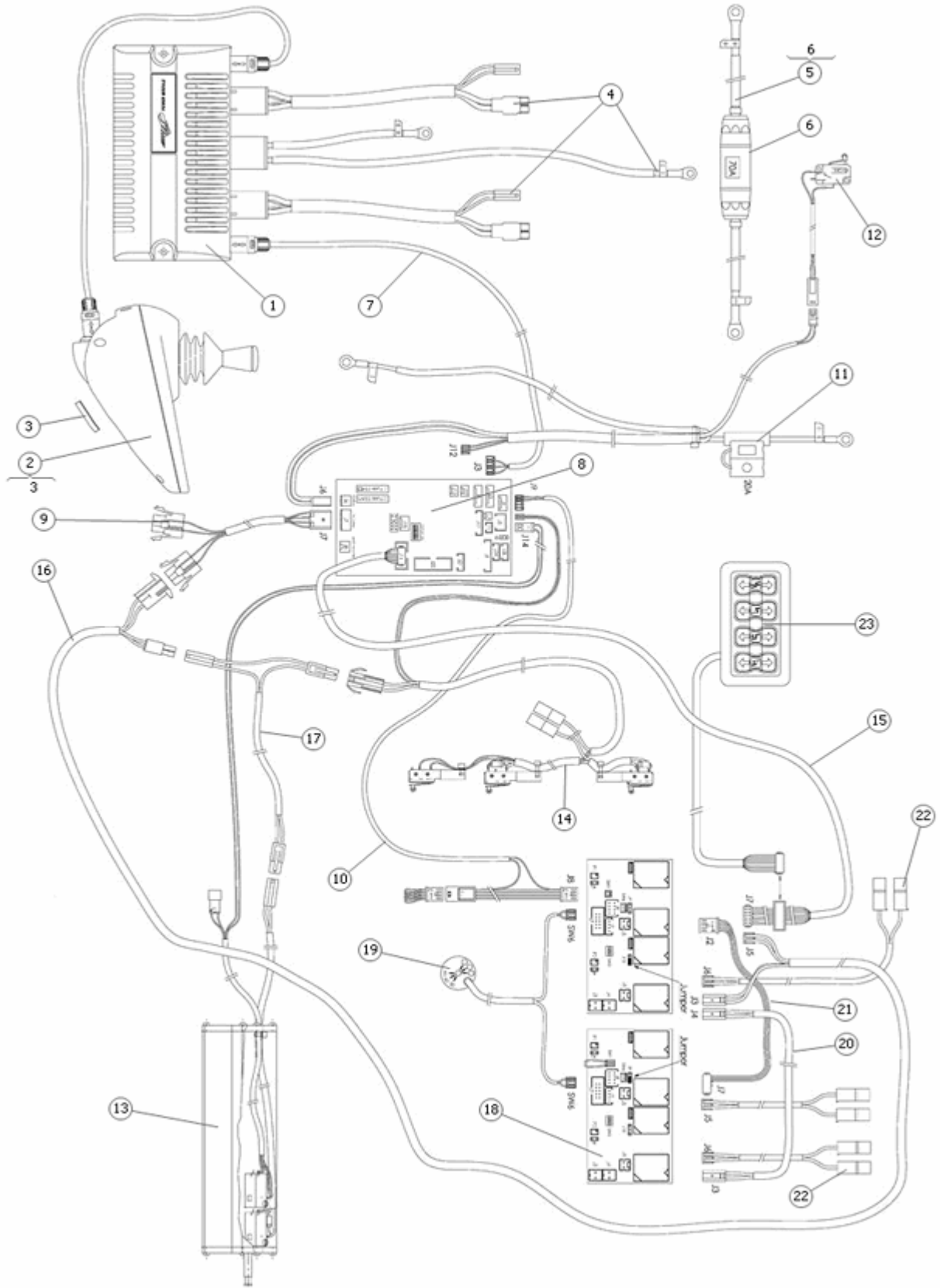
Pos	Qty	Stock Code	Description	Remark
1	1	1820466	DRIVE MOTOR C300 - RIGHT	
2	1	1820460	DRIVE MOTOR C300 - LEFT	
3	2	1820461	MAGNETIC WHEEL LOCK C300	
4	1		Coupling Brake	NOT AVAILABLE
5	2		Screw Brake	NOT AVAILABLE
6	1	600503-99-0	CIRCLIP SGA 8	
7	3	1823551	SCREW M4x12 4.8 ISO 14583	
8	1		Support Wheels Kit, Left	
9	1		Plate Support Wheel Left	
10	1		Support Wheels Kit, Right	
11	1		Plate Support Wheel Right	
12	1	312872-99-2	DECAL - HOOK BRACKET	
12	1	312871-99-1	DECAL - HOOK BRACKET	
13	1		Sticker Support Wheel Left	
13	1		Sticker Support Wheel Right	
14	2	1822017	ANTI-TIP WHEEL 100X34	
14	2	602556-99-0	ANTI-TIP WHEEL 100X34	
15	1	602631-99-0	BOLT K6S 8x50 fzb ISO7380	
16	1	601427-99-0	WASH BRB 8.4x15x1.6 fzb	
17	1	600228-99-0	NYLOCK NUT M8	
18	1	600194-99-0	BOLT MC6S 6x20 fzb	
19	6		Spacer Support Wheel	
20	2	600238-99-0	WASH BRB 6.4x12x1.5 fzb	
21	2	600227-99-0	LOCK NUT M6 FZB	
22	8	600768-99-0	BOLT MC6S 6x70 fzb	
23	4	600238-99-0	WASH BRB 6.4x12x1.5 fzb	
24	2	1820469	SHOCK ABSORBER FRONT C300	
25	4	601756-99-0	BOLT MC6S 6x40 fzb	
26	2		Spacer Shock Absorber Support Wheel	
27	2		Spacer Shock Absorber Support Wheel	
28	4	600238-99-0	WASH BRB 6.4x12x1.5 fzb	
29	4	600227-99-0	LOCK NUT M6 FZB	
30	1	309352-99-0	USE 1820719	
30	1	1820719	WHEEL 3.00-8" FRONT CH2k	
31	2	1824843	USE Z835483	
32	2	600770-99-0	TUBE 3.00- 8 FRONT	
33	2		RIM 3.00-8" FRONT CH2k KO	
34	2	612512-99-0	BOLT ISO 4762 M8x25	
35	2	612531-99-0	SPACER DB DIN988 8x14x0.5	
36	2	612513-99-0	WASH 8.4x23x5 HB 305	
37	0		WASH 8 PA6 8.4x15x1.5 type F	
38	0		DECAL WHEEL BOLT	
39	2	1820306	WHEEL BOLT KIT - C Series	
40	2		Hub cap rim 8"/10" incl. reflector	
41	1	309351-19-0	RIM 3.00-8" FRONT CH2k/KO	
42	1	1825148	SUPPORT WHEEL KIT v.2	
43	1	1820459	DECAL SET HOOKBRACKET	
44	1	1825156	SUPPORT WHEEL UNIT C350R/	
45	1	1825157	SUPPORT WHEEL UNIT C350L/	
46	1	312872-99-2	DECAL - HOOK BRACKET	
47	1		PLATE	
48	1		BRACKET	
49	2	600227-99-0	LOCK NUT M6 FZB	
50	6	600238-99-0	WASH BRB 6.4x12x1.5 fzb	
51	2		SPRING	
52	2	601823-00-0	PLAST KNOB RECT 4x16x30	
53	6		SPACER	
54	8	600768-99-0	BOLT MC6S 6x70 fzb	
55	2	600194-99-0	BOLT MC6S 6x20 fzb	
56	2		STICKER	
57	2		SCREW, M8x40 Fe/Zn ISO 7380	
58	2		WHEEL	
59	4	601427-99-0	WASH BRB 8.4x15x1.6 fzb	
60	2	600228-99-0	NYLOCK NUT M8	
61	2	312871-99-1	DECAL - HOOK BRACKET	
62	2		PLATE	
63	2		BRACKET	



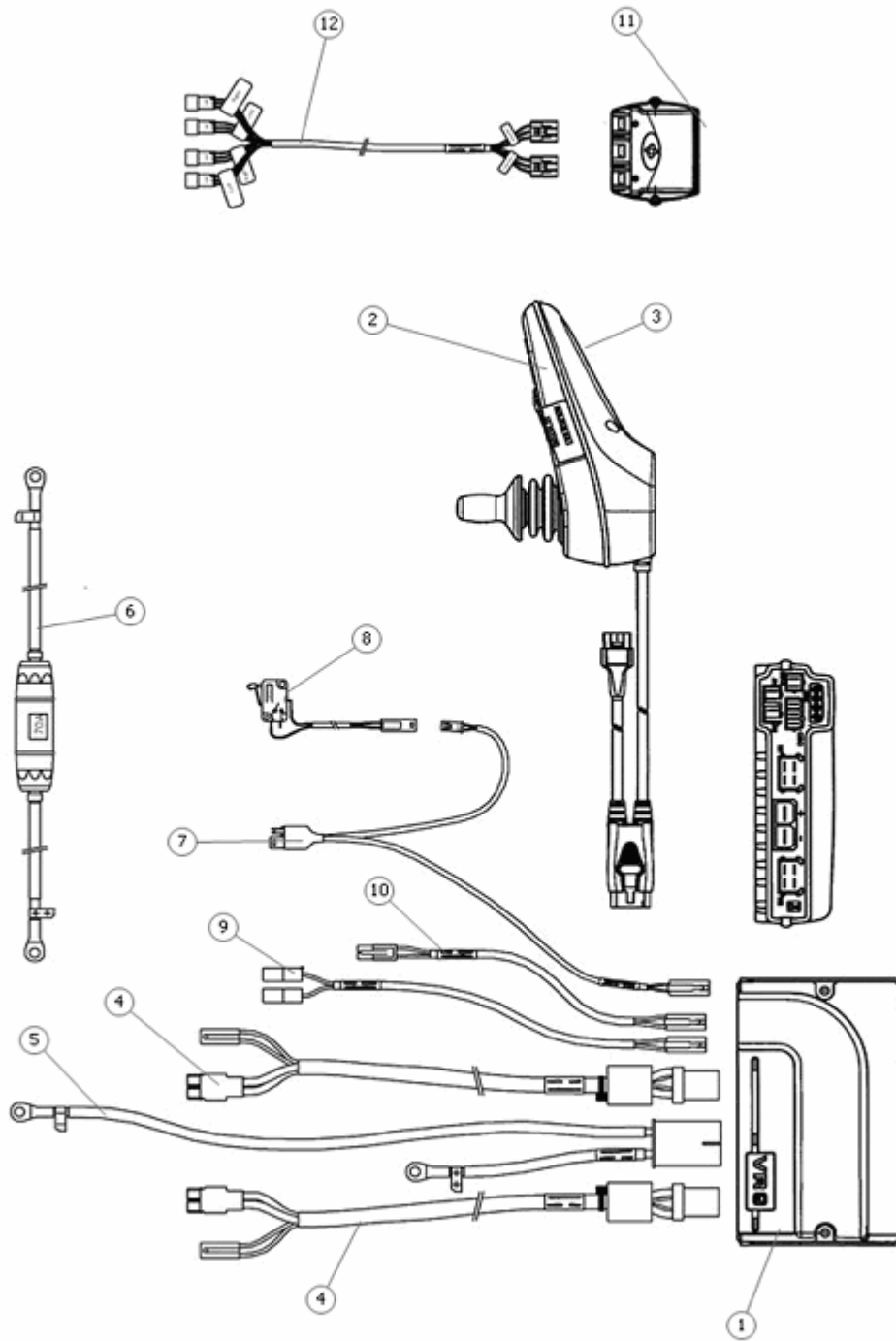
Pos	Qty	Stock Code	Description	Remark
1	0	1822972	WHEEL 3.00x8 AIR EU ALU S	Silver colored hub cap.
2	0	1824096	WHEEL 3.00x8 EU SOLID ALU	Silver colored hub cap.
3	0	1822973	WHEEL 3.00x8 AIR SPLITRIM	Silver colored hub cap.
4	0	1822978	WHEEL 3.00x8 US SOLID ALU	Silver colored hub cap.
5	0	1822971	WHEEL 3.00x8 AIR 3-SPOKE	
6	1	1822977	WHEEL 3.00x8 SOLID SPLIT	
7	0	1822232	SPLIT RIM TRI-SPOKE 1.5x8	
8	1	1822435	HUB DRIVE MOTOR (4 BOLT)	
9	1	1822361	TIRE 3,00-8" SOLID FOR	
10	1	600770-99-0	TUBE 3.00- 8 FRONT	
11	1	1824843	USE Z835483	
12	6	600880-99-0	USE 601075-99-0	
13	1		RIM INNER	
14	1		RIM OUTER	
15	1		HUB	
16	4	600203-99-0	BOLT M8 x 20mm SHCS	
17	1		WASHER 8,4x15x1,5	
18	1	612513-99-0	WASH 8.4x23x5 HB 305	
19	2	612531-99-0	SPACER DB DIN988 8x14x0,5	
20	1	612512-99-0	BOLT ISO 4762 M8x25	
21	1		HUB CAP 3-SPOKE 8" RIM, REFLEKTOR	Black onyx
21	1		HUB CAP 3-SPOKE 8" RIM, REFLEKTOR	Red
21	1		HUB CAP 3-SPOKE 8" RIM, REFLEKTOR	Blue
21	1		HUB CAP 3-SPOKE 8" RIM, REFLEKTOR	Black metallic
21	1		HUB CAP 3-SPOKE 8" RIM, REFLEKTOR	Silver
21	1		HUB CAP 3-SPOKE 8" RIM, REFLEKTOR	Yellow
21	1	1823036	HUB CAP GREEN METALLIC 3-	Green metallic
21	1	1823037	HUB CAP PINK 3-SPOKE 8"	Pink
21	1	1823038	HUB CAP TITAN BLUE 3-SPOK	Titan blue
22	0		HUB CAP	
23	1		HUB CAP PLASTIC	
24	0	1820324	REFLECTOR SIDE STR	
25	1	600878-08-0	TIRE 3.00- 8 DEEP TREAD	
26	0	1824218	WHEEL 210x65 AIR 3-SPOKE	
27	0	1822415	WHEEL 210x65 SOLID 3-SPOK	
28	0	317447-99-0	WHEEL AIR 210x65	
29	0		WHEEL 210x65 SOLID 3-SPOKE	
30	0	1822416	RIM 210x65 3-SPOKE	
31	0	1822417	Bolt Kit, Caster 210x65	
32	1	612397-08-0	TIRE 210x65 REAR SOLID	
33	2	600752-99-0	BALL BEARING 6002-2RS1	
34	1		SPACER	
35	3	1821261	LOCK NUT M6 HIGH fzb	
36	1		RIM INNER 210x65	
37	1		RIM OUTER 210x65	
38	3	601333-99-0	BOLT MC6S 6x35 fzb	
39	1	1823146	USE 601068-00-0	
40	1	600228-99-0	NYLOCK NUT M8	
41	1	305390-99-0	WASH 8.5x23x3 fzb	
42	1	1821264	SCREW MF6S 8x 75 fzb	
43	1	602569-08-0	TIRE 210x65 REAR AIR	
44	1	602568-99-0	TUBE 210x65 REAR CH2k	



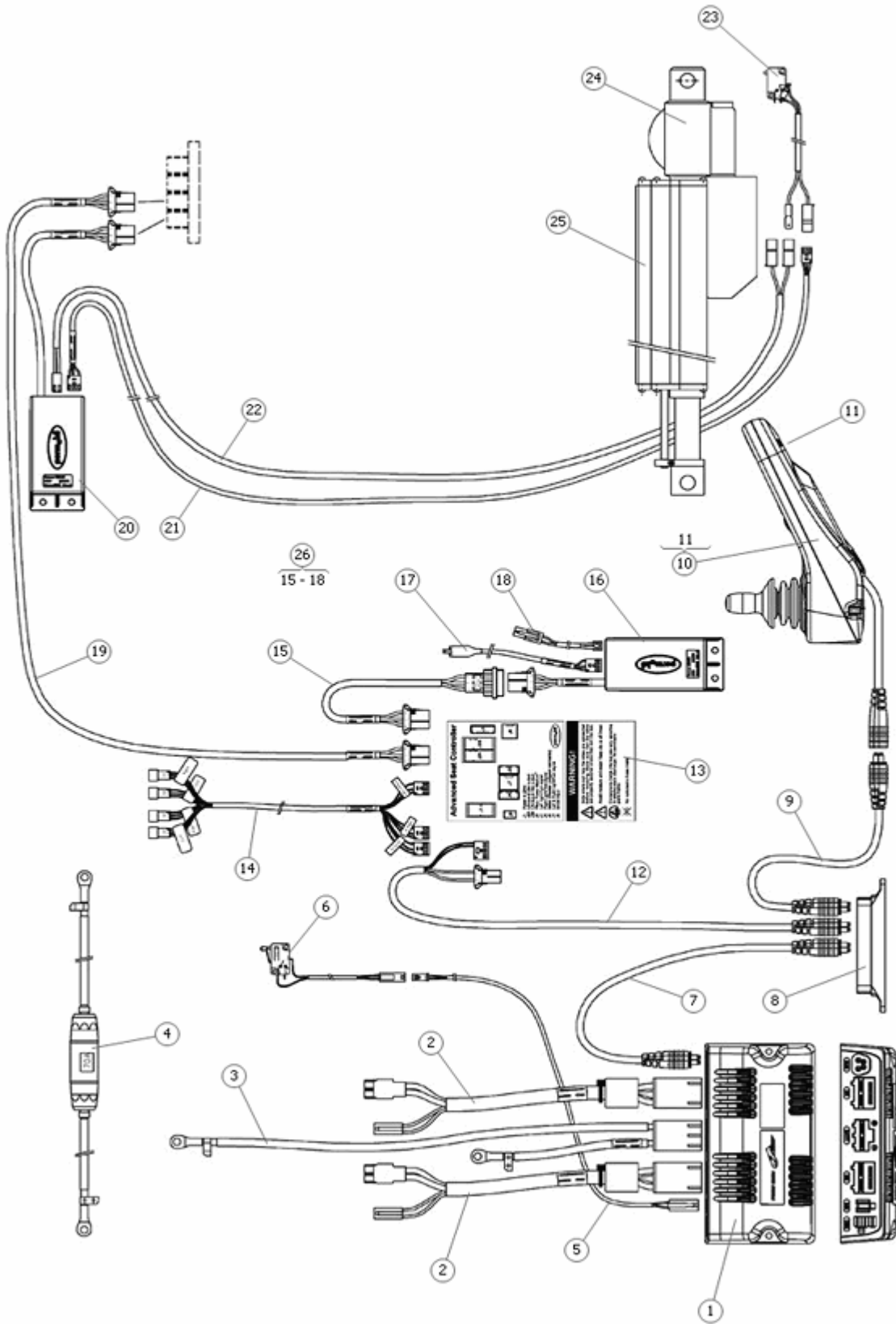
Pos	Qty	Stock Code	Description	Remark
1	1	612698-00-0	CONTROL PANEL VSI BASIC	
1	1		Electronics VSI 50-24-OBC Exch	
2	1	612699-00-0	CONTROL PANEL VSI ADVANCE	
2	1		Electronics VSI 70-24-OBC-A2 Exch	
3	1	1824344	DECAL "CHARGER 10A"	
4	1		Cable Main Fuse	
5	1	602052-99-0	FUSE GLASS 50 A	
6	1	1822469	SWITCH BRAKE RELEASE C300	
7	1		Cable Seat Tilt	
8	1	311354-00-0	CABLE ADAPTER HALFSPEED	
9	1	311351-99-0	CABL SEAT TILT DRIVE INH	
10	1	313765-00-0	CABLE, TILT INHIBIT C300	
11	1		Cable Two Actuators	
12	1		Angle Stop Two Functions	



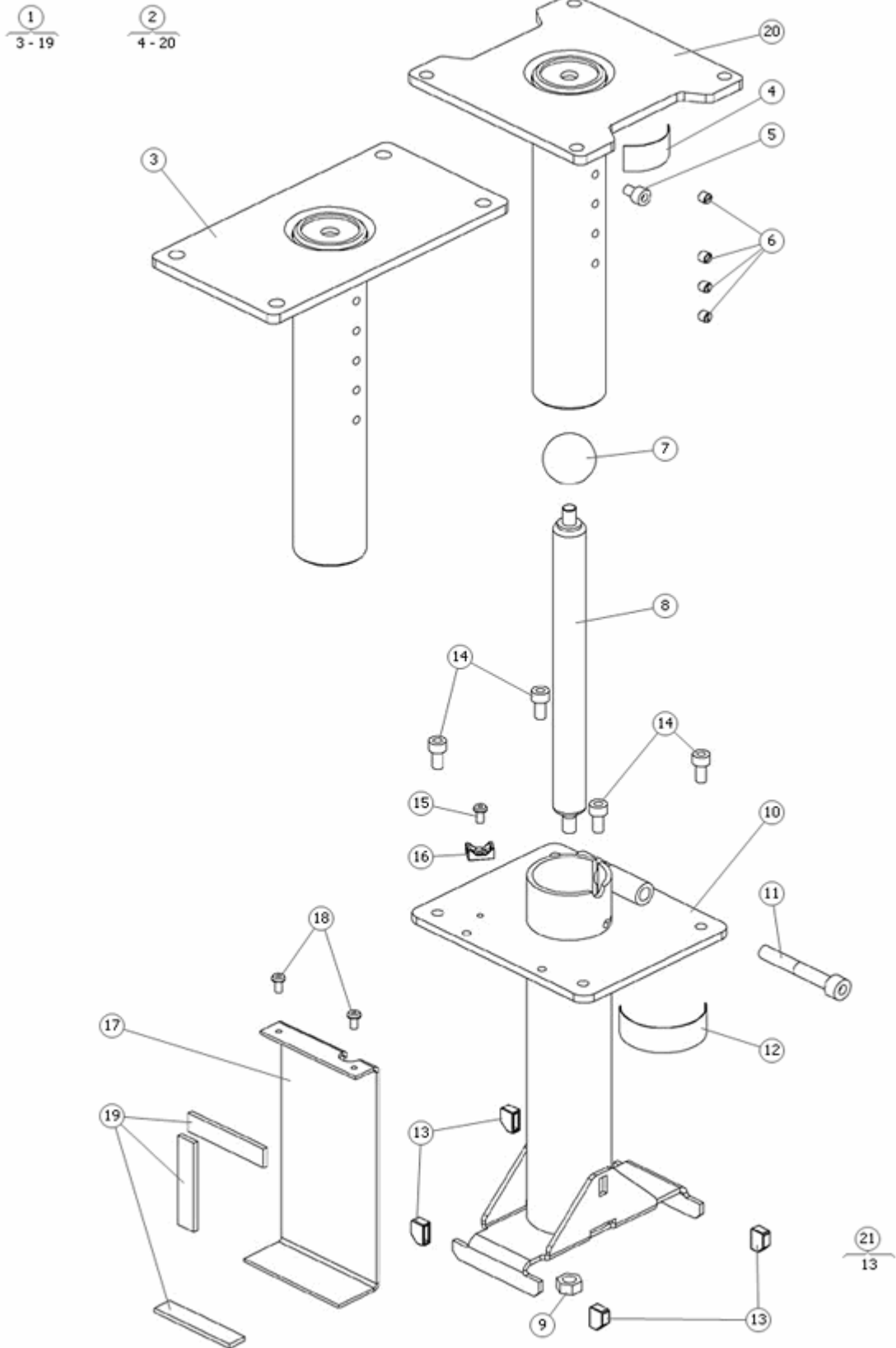
Pos	Qty	Stock Code	Description	Remark
1	1	309393-00-0	PILOT+ POWER MODULE 80A	MUST BE PROGRAMMED FOR EACH CHAIR MO...
1	1	809393-00-0	ELECTRONIC PILOT+ (EXCH)	MUST BE PROGRAMMED FOR EACH CHAIR MO...
2	1	309391-00-0	DO NOT USE	
3	1	1824344	DECAL "CHARGER 10A"	
4	1	311342-00-0	CABLE BATT/MOTOR C300	
5	1	1822468	FUSE 70A INCL CABLE C300	
6	1	601999-99-0	FUSE GLASS 70 A	
7	1	309082-00-0	cabl SLS pilot +	
8	1	310417-99-0	PCB SLS+ w/ CASE CH2k	
9	1	309083-00-0	CABLE, 24V OUTLET SLS+	
10	1	311294-00-0	CABLE INHIBIT SEAT TILT	
11	1	311343-00-0	CABLE SLS/BRAKE REL. C300	
12	1	1822469	SWITCH BRAKE RELEASE C300	
13	1	1820435	LIMITSW KIT SEAT TILT	
14	1	311195-99-0	CABLE SEAT ELEVATOR P+,	
15	1	305547-00-0	CABLE SW BOX	
16	1	305346-00-0	CABLE 24V / ACTU CTRL	
17	1	311351-99-0	CABL SEAT TILT DRIVE INH	
18	2	307131-99-0	PCB ACTU CONTROL V.2	
19	1		Cable Angle Stop	
20	1	305349-00-0	CABLE 24V JUMPER	
21	1	305350-00-0	CABLE SWITCH JUMPER	
22	1		Cable Actu Ctrl L=700	
23	1		Switch Box	



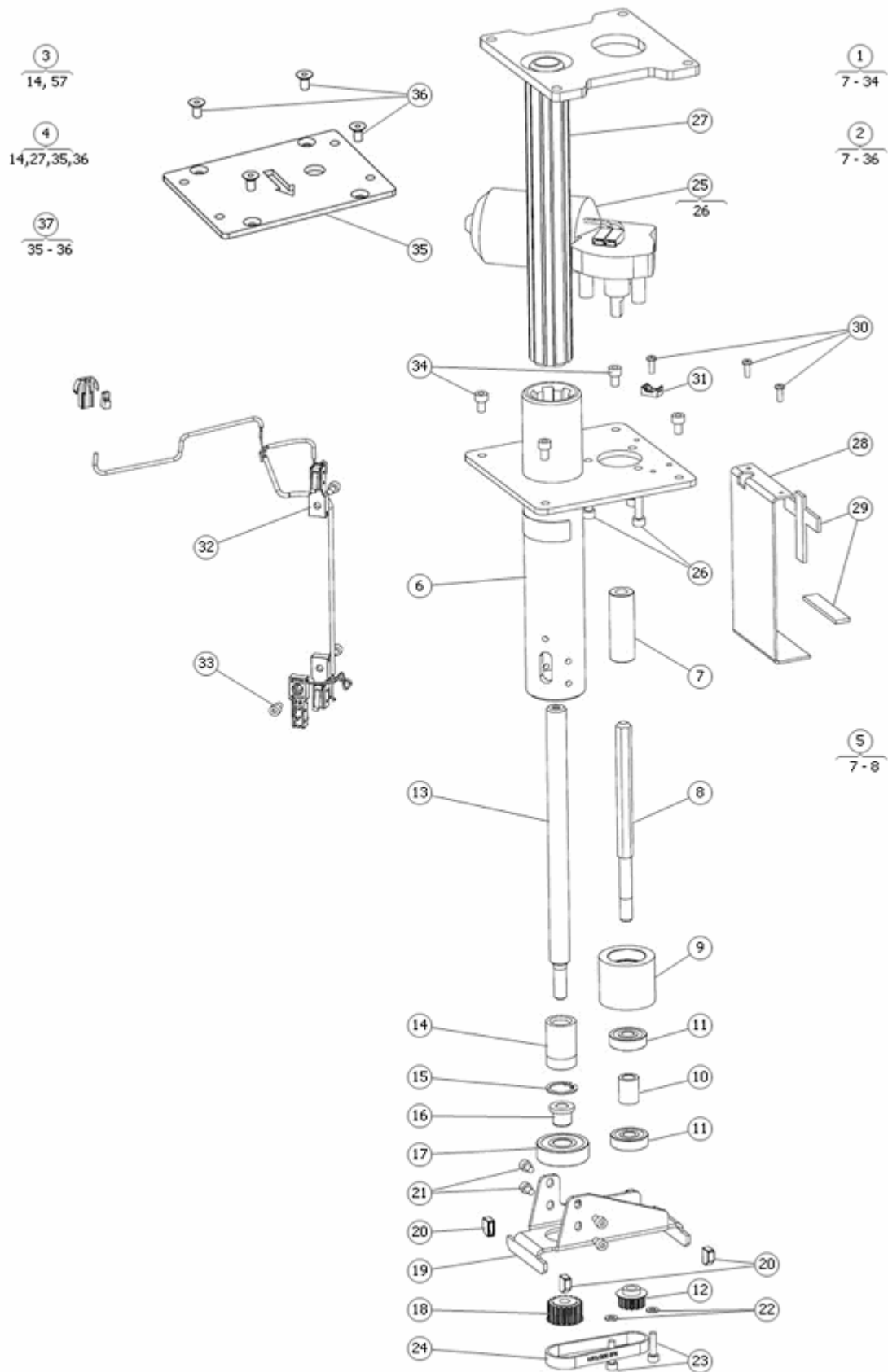
Pos	Qty	Stock Code	Description	Remark
1	1	1822391	POWER MODULE VR2 BASIC	
1	1	1822392	POWER MODULE VR2 ADV 70A	
2	1	1822387	CTRL PANEL VR2 BASIC JSM	
2	1	1822388	VR2 Advanced Joystick	
3	1	1824344	DECAL "CHARGER 10A"	
4	2	1822373	CABLE MOTOR VR2 C300 C350	
5	1	1822374	CABLE BATTERY VR2	
6	1	1822468	FUSE 70A INCL CABLE C300	
7	1	1822363	CABLE INHIBIT/LOW SPEED	
8	1	1822469	SWITCH BRAKE RELEASE C300	
9	1	1822365	CABLE SEAT TILT VR2	
10	1	1822364	CABLE SEAT ELEV VR2	
11	1		Light module VR2	
12	1		Cable adapter light	



Pos	Qty	Stock Code	Description	Remark
1	1		R-NET Power module 80A	
1	1	D50945	R-NET POWER MODULE 80 A	US Sourced Item
2	2	1822376	CABLE MOTOR C300 C350	
3	1	1822377	CABLE BATTERY C300 C350	
4	1	1822468	FUSE 70A INCL CABLE C300	
5	1	1822370	CABLE BREAK RELEASE R-NET	
6	1	1822469	SWITCH BRAKE RELEASE C300	
7	1		Cable bus r-net L=500mm	
7	1	SA77525L05	R-NET BUS CABLE 0.5m	US Sourced Part
8	1	1821537	R-NET BUS 4 PORT BLOCK	
8	1	D50829	R-NET BUS 4 PORT BLOCK	US Sourced Item
9	1	1821526	R-NET BUS CABLE 2.5m	
9	1	SA77525L25	R-NET BUS CABLE 2.5m	US Sourced Part
10	1		Control panel JSM-L-SW R-NET	D51036
10	1		Control panel JSM-L-SW-T R-NET	D51040
10	1	D51036	R-NET JSM STD L, W/ MONO	US Sourced Part
10	1	D51040	R-NET JSM L W/ TOGGLE	US Sourced Part
10	1	D51038	R-NET JSM L W/ SPEED POT	US Sourced Part
10	1	D51042	R-NET JSM SPD POT & TOGGL	US Sourced Part
11	1	1824344	DECAL "CHARGER 10A"	
12	1	1822821	CABLE MAIN LIN R-NET	
13	1	1821535	ICS MASTER MODULE	
14	1	1822367	CABLE ADAPTER LIGHT R-NET	
15	1	1821827	ICS CABLE EXTENSION 700mm	
16	1	1821382	GENERAL MODULE, SEAT	Incl. 2 screws
17	1	1823170	CABLE SEAT ELEV HALF	
18	1	306853-00-0	CABLE ADAPT SEAT ELEV	
19	1	1821531	ICS BUS CABLE, 1.5 M.	
20	1	1822288	GENERAL MODULE,TILT	Incl. 2 screws and washers
21	1	1822290	CABLE SOFT POT ICS 1000mm	
22	1	305677-00-0	CABLE ACTU CONTROL	
23	1	1824177	CABLE LOWER END STOP TILT	314351-99-0 Includes switch and bracket
24	1	612871-99-0	ACTUATOR SEAT TILT 4	
25	1	1822291	POSITION SENSOR 150MM	
26	1	1824821	CABLE SET SEAT ELEV R.NET	



Pos	Qty	Stock Code	Description	Remark
1	1	1820446	SEAT TUBE TILT & NO TILT	
2	1		SEAT TUBE FOR TILT	
3	1		SEAT TUBE	
4	1		STICKER	
5	1	601359-99-0	BOLT MC6S 6x 8 fzb	
6	4		SET SCREW	
7	1		HANDLE	
8	1		GAS SPRING	
9	1	600228-99-0	NYLOCK NUT M8	
10	1		OUTER TUBE	
11	1	601157-99-0	BOLT MC6S 8x 55 fzb	
12	1		STICKER	
13	4		CAP	
14	4	600192-99-0	BOLT MC6S 6x12 fzb	
15	1	601381-99-0	BOLT K6S 4x 8 fzb	
16	1	601204-99-0	CABLE TIE HOLD TM 2 S8	
17	1		PLATE	
18	2	601381-99-0	BOLT K6S 4x 8 fzb	
19	3		RECLOSABLE FASTENER	
20	1		SEAT TUBE	
21	1	1820421	CAP SEATELEVATOR/SEATTUBE	

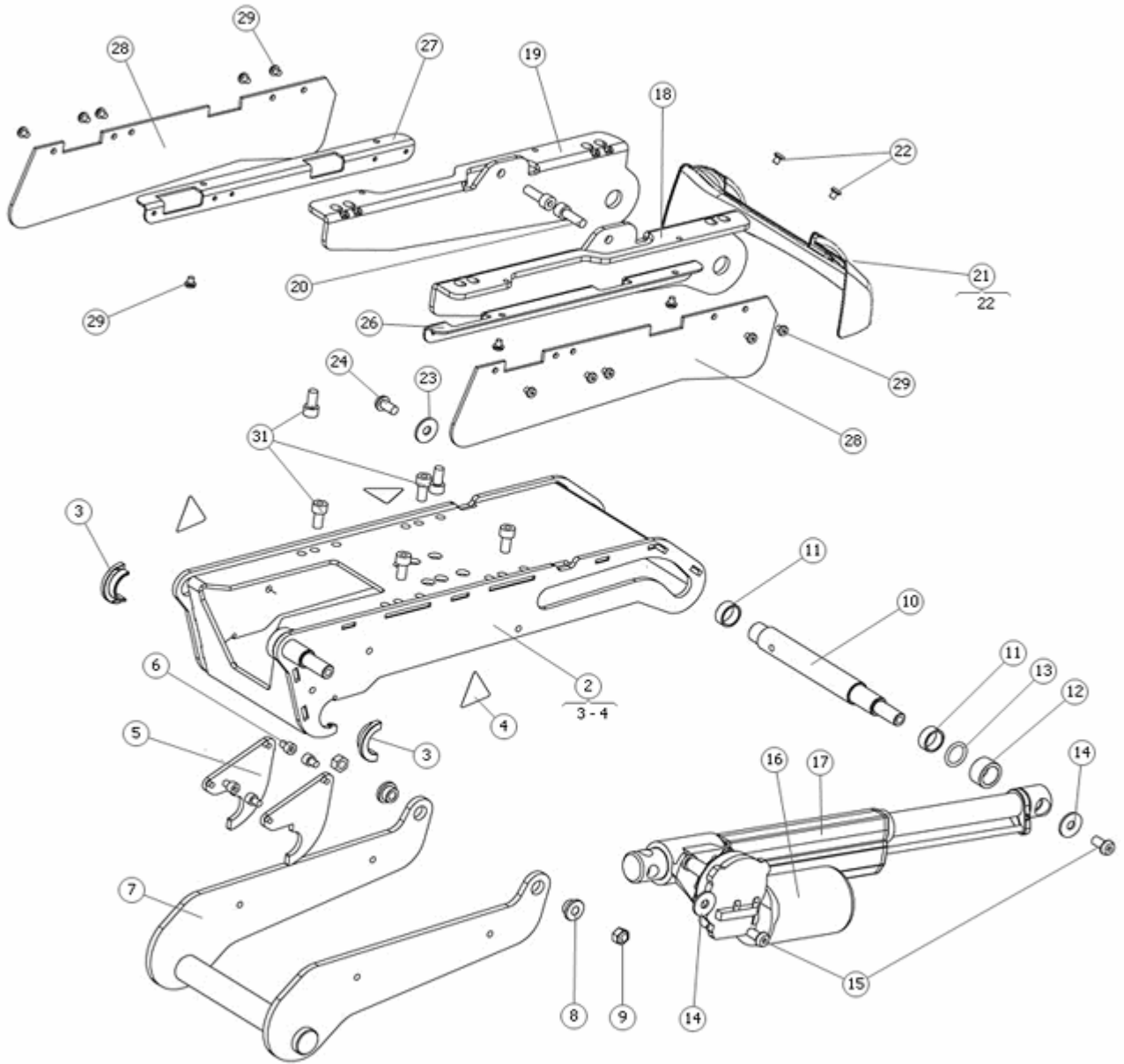


Pos	Qty	Stock Code	Description	Remark
1	1	1820423	SEAT ELEV FOR TILT C300	
2	1	1824348	SEAT ELEV C300 W/out TILT	
2	1	1824822	SEAT ELEV C300 R-NET	Incl: Cable set seat elevator R-net. Stock Code 1824..
3	1	1820424	INNER TUBE SEAT ELEVATOR	
4	1	1820428	INNER TUBE SEAT ELEV	
5	1	1820426	PLASTIC SLEEVE SEAT ELEV	
6	1		Outer tube	
7	1	309087-99-0	sleeve coupling,	
8	1		Screw	
9	1		Bearing Race	
10	1		Socket	
11	2	600515-99-0	BALL BEAR 6200-2RS1	
12	1		Timing belt pulley wheel	
13	1		Screw	
14	1		Nut	
15	1		CIRCLIP INTERNAL DIN 472 Ø24	
16	1		SOCKET SEAT ELEVATOR	
17	1	600709-99-0	BALL BEAR 6302-2RS1	
18	1		Timing Belt Pulley Wheel	
19	1		Plate	
20	4	1820421	CAP SEATELEVATOR/SEATTUBE	
21	4	600188-99-0	BOLT MC6S 5x 8 fzb	
22	2	600237-99-0	WASH M5 FLAT	
23	2	600543-99-0	BOLT MC6S 5x20 fzb	
24	1	600892-99-0	DRIVEBELT - SEAT ELEVATOR	
25	1	1820425	MOTOR SEAT ELEVATOR C300	
26	3	600194-99-0	BOLT MC6S 6x20 fzb	
27	1		Inner Tube	
28	1		SLS Bracket	
29	1		Velcro Tape 12,7 Adhesive	
30	3	600194-99-0	BOLT MC6S 6x20 fzb	
31	1	601204-99-0	CABLE TIE HOLD TM 2 S8	
32	1	311195-99-0	CABLE SEAT ELEVATOR P+,	
33	2	600188-99-0	BOLT MC6S 5x 8 fzb	
34	4	600192-99-0	BOLT MC6S 6x12 fzb	
35	1		Adapter plate	
36	4	601716-99-0	BOLT MF6S 8x16 fzb	
37	1	1823270	ADAPTER PLATE SEAT ELEV.	

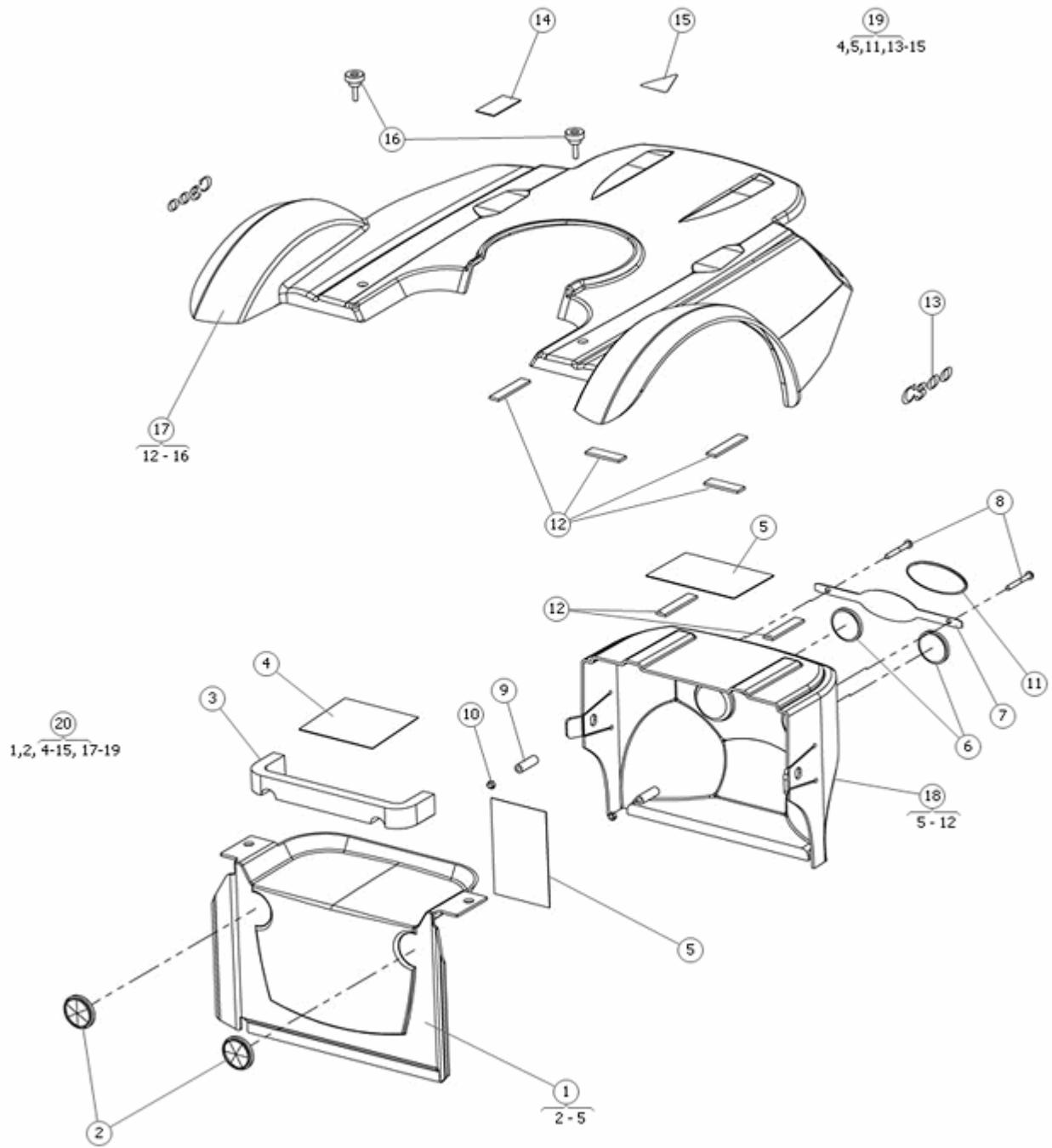
①
2 - 31

②⑤
26 - 29

③⑩
3, 8



Pos	Qty	Stock Code	Description	Remark
1	1	1820429	SEAT TILT 45° C300, C350	
1	1	1824708	SEAT TILT 45° SOFT POT	
2	1		Seat tilt box	
3	2		Bearing	
4	3	313891-99-0	DECAL TILT WARNING C4-500	Set incl all stickers for cover mount
5	2		Tilt shackle	
6	4	600888-99-0	BOLT MC6S 6x10 fzb	
7	1		Seat tilt slew brack	
8	2		Bearing	
9	2	600228-99-0	NYLOCK NUT M8	
10	1		Shaft seat tilt	
11	2	1820434	BEARING SEAT TILT C300	
12	1		Spacer	
13	1		O-ring Ø18x3	
14	2		Washer ISO 7093-1 M8 fzb	
15	2		Screw ISO 7380 M8x16 fzb	
16	1	612871-99-0	ACTUATOR SEAT TILT 4	Use with Pilot+, VSI, VR2
17	1	1820435	LIMITSW KIT SEAT TILT	
18	1		Seat brack Left	
19	1		Seat brack Right	
20	2	600499-99-0	BOLT MC6S 8x 25 fzb	
21	1	1820433	TILT COVER C300 (BLACK)	
22	2		SKRUV ISO 7380 M5x6 *	
23	1		Washer ISO 7093-1 M8 fzb	
24	1		Screw ISO 7380 M8x16 fzb	
25	1	1820432	SAFETY DEVICE TILT C300	
26	1		Crush guard bracket Right	
27	1		Crush guard bracket Left	
28	2		Crush guard	
29	14		SKRUV ISO 7380 M5x6 *	
30	1	1820430	SLIDE BEAR KIT FRONTHINGE	
31	8	600590-99-0	BOLT MC6S 8x 16 fzb	



Pos	Qty	Stock Code	Description	Remark
1	1		COVER FRONT SILVER/BLACK MET	Carbon Silver (no safety device)
1	1		COVER FRONT INCL. DECAL AND REFL.	(no safety device)
2	2		Ø40 White	
2	2	1820314	REFLECTOR WHITE (FR) 40mm	
3	1	1824097	SAFETY DEVICE FRONT COVER	WHEN TILT IS MOUNTED
4	1	1821297	DECAL SET - C300 SHROUD	Set incl all stickers for cover mount
5	1	1821297	DECAL SET - C300 SHROUD	Set incl all stickers for cover mount
6	2	1821057	REFLECTOR REAR RED	
7	1		Plate	
7	1		Plate	
8	2	600754-99-0	BOLT K6S 5x25 fzb	
9	2		Spacer 5,3x10x30	
10	2	600226-99-0	LOCK NUT M5 FZB	
11	1	1821297	DECAL SET - C300 SHROUD	Set incl all stickers for cover mount
11	1	306200-99-0	DEKAL "PERMOBIL"	
12	6		Velcro 12,7mm adhesive	
13	1	1821297	DECAL SET - C300 SHROUD	Set incl all stickers for cover mount
14	1	1821297	DECAL SET - C300 SHROUD	Set incl all stickers for cover mount
15	1	1821297	DECAL SET - C300 SHROUD	Set incl all stickers for cover mount
15	1	313891-99-0	DECAL TILT WARNING C4-500	
16	2	1821249	STAR HANDLE M5 X 20	
17	1		COVER SILVER/BLACK MET EXCL LIGHTS C300	Carbon Silver
17	1		CENTER COVER FRONT INCL. DECAL	
18	1		Rear cover incl. decal and refl.	Carbon Silver
18	1		Rear cover incl. decal and refl.	
19	1	1821297	DECAL SET - C300 SHROUD	Set incl all stickers for cover mount
20	1	1824190	C300 COVER, VINTAGE WINE	
20	1	1824192	C300 COVER, CRYSTAL BLUE	
20	1	1824193	C300 COVER, MET CHAR GRAY	
20	1	1824194	C300 COVER, GREEN	
20	1	103574-99-0	C300 COVER CHILI PEPR RED	USA
20	1	103575-99-0	C300 COVER, TITAN BLUE	USA
20	1	103576-99-0	C300 COVER, ONYX BLAC	USA
20	1	103577-99-0	C300 COVER, PLATIN SILVER	USA
20	1	103578-99-0	C300 COVER, POP STAR PINK	USA
20	1	1825062	COVERSET INCL REFL K300	Incl. Stickers
20	1	1825063	COVERSET INCL REFL K300	Incl. Stickers

When you order spare parts, the following must always be specified:

- The product model (for example, power wheelchair C300).
- The description of the part.
- always use the description used in this catalog.
- The entire part number.
- The quantity.

NB! In some cases, parts appear in the spare part catalog without a part number. This means that the part cannot be ordered from Permobil. We have, however, chosen to describe it for your information. Standard components such as screws, nuts, washers and similar parts can be purchased in an ordinary shop using the information in this catalog.

Description of Positioning list

The positioning list consist of:

A = Indicates the sparepart-group covered by the catalog.

B = Indicates part of the sparepart-group.

C = Under C there are five columns:

- 1** = Pos.no: Position number
- 2** = Pcs: Total number of given pos-no.
- 3** = Part no.: Part number
- 4** = Description: Article name
- 5** = Remark: Reserved for additional information such as reservations, restrictions etc.



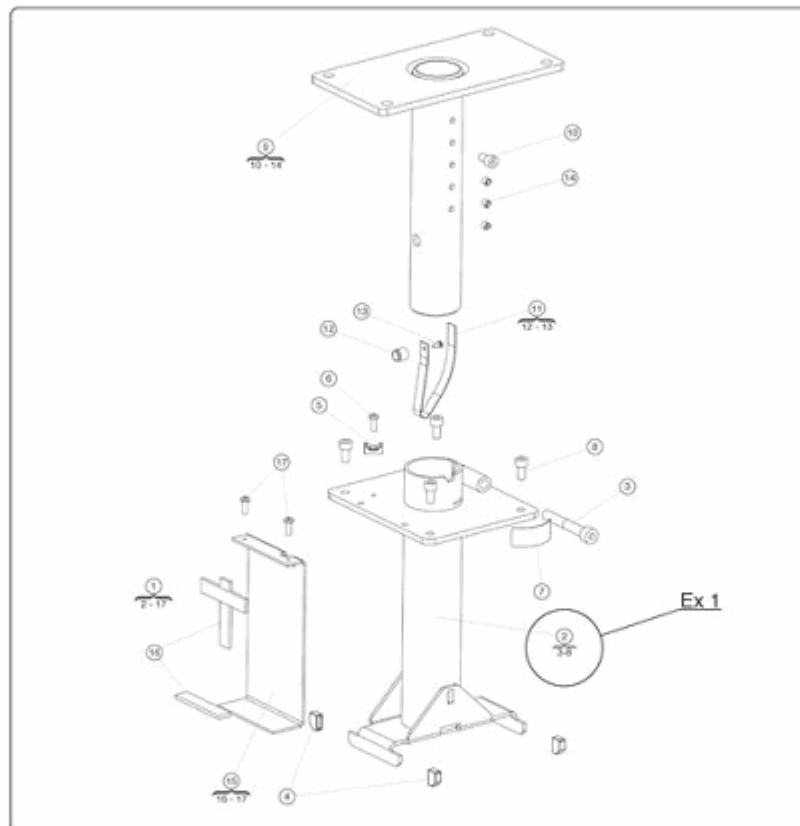
① Pos no.	② Pcs	③ Part no.	④ Description	⑤ Benämning	Remark/Anm.
1	1	1820446	Seat Tube	Sitsrör fast	
1	1	1820418	Seat Tube for tilt	Sitsrör fast för sitslutning	
2	1		Outer tube	Ytterrör	
3	1		Screw ISO 4762 M8x55 fzb	Skruv ISO 4762 M8x55 fzb	
4	4	1820421	Cap	Hätta	
5	1		Cable Tie Holder 10x15	Buntbandsfäste 10x15	
6	1		Screw ISO 7380 M4x6 fzb	Skruv ISO 7380 M4x6 fzb	
7	1		Nut DIN 985 M4 fzb	Mutter DIN 985 M4 fzb	
8	4		Screw ISO 4762 M6x10 fzb	Skruv ISO 4762 M6x10 fzb	
9	1	1820422	Inner tube	Innerrör	
9	1	1820419	Inner tube for tilt	Innerrör för tilt	
10	1		Screw ISO 4762 M6x10 fzb	Skruv ISO 4762 M6x10 fzb	
11	1		Bracket	Fjäder	
12	1		Stop	Stång	
13	1		Screw ISO 7380 M3x6 fzb	Skruv ISO 7380 M3x6 fzb	
14	1		SLS Bracket	SLS fäste	

Part

A part consists of one or more parts. If a part consists of several parts, a bracket in connection with the part's item bubble is used to show the parts included in the part in the exploded views. See example 1.

Quantity

The quantity specified in front of a part is the total quantity for the entire product.

**Example 1:**

The fixed seat tube, pos 2, includes pos 3 to 8, that are indicated in the bracket below (see above).

Example 2:

If a outer tube, pos 2, is ordered, the quantity is 1. In other words, there is just one outer tube on the chassis. However, if you look at the number of parts included, the quantity may vary. For example, in pos 4, the complete outer tube comprises 4 parts.

Vid beställning av reservdelar skall följande alltid anges:

- Produktmodell (ex.vis elrullstol C300).
- Artikelns benämning.
- använd samma benämning som i denna reservdelskatalog vid beställning.
- Hela artikelnumret.
- Antal.

OBS! I reservdelskatalogen förekommer i vissa fall detaljer utan angivet artikelnr. Det innebär att detaljen inte går att beställa från Remobil, men vi har ändå valt att beskriva dem för din information. Standardkomponenter så som skruv, mutter, bricka och liknande detaljer kan införskaffas i den ordinarie detaljhandeln med hjälp av informationen i denna katalog.

Beskrivning av positionslistor

Positionslistan består av:

A = Visar vilken produkt katalogen beskriver.

B = Visar vilken del av produkten som visas på aktuell sida.

C = Under C finns fem kolumner:

- 1 = Pos.no: Positionsnummer
- 2 = Pcs: Antal detaljer som ingår i aktuellt pos.nummer
- 3 = Part no.: Artikelnummer
- 4 = Benämning: Artikelns benämning (svensk och engelsk benämning)
- 5 = Anmärkning: Plats för ev. tilläggsinformation, förbehåll etc.



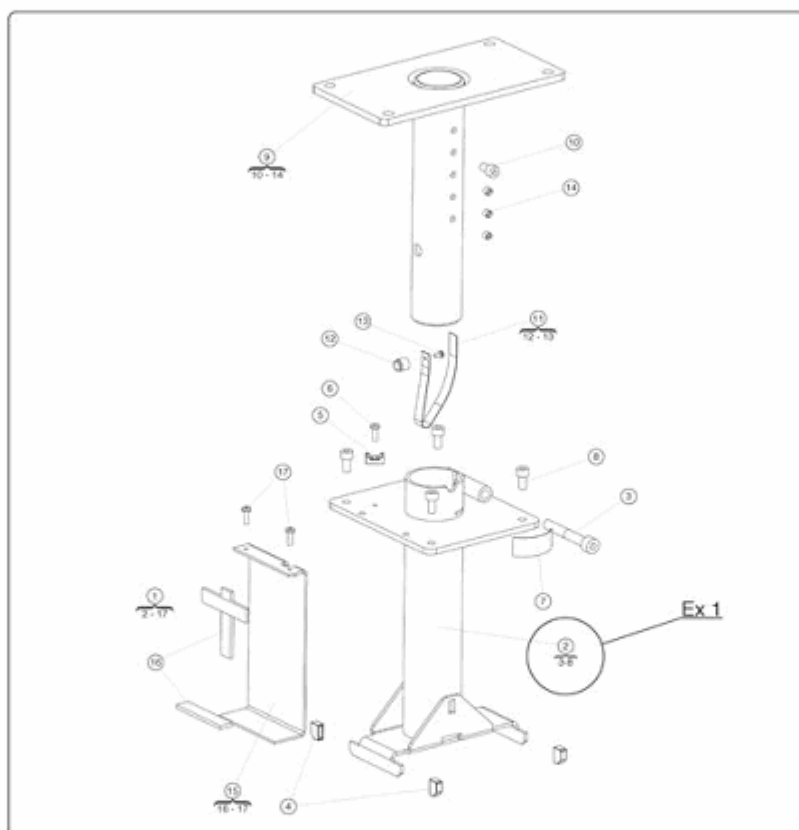
Pos no.	Pcs	Part no.	Description	Benämning	Remark/Anm.
1	1	1820446	Seat Tube	Sitsrör fast	
1	1	1820418	Seat Tube for tilt	Sitsrör fast för sitslutning	
2	1		Outer tube	Ytterrör	
3	1		Screw ISO 4762 M8x55 fzb	Skruv ISO 4762 M8x55 fzb	
4	4	1820421	Cap	Hätta	
5	1		Cable Tie Holder 10x15	Buntbandsfäste 10x15	
6	1		Screw ISO 7380 M4x6 fzb	Skruv ISO 7380 M4x6 fzb	
7	1		Nut DIN 985 M4 fzb	Mutter DIN 985 M4 fzb	
8	4		Screw ISO 4762 M6x10 fzb	Skruv ISO 4762 M6x10 fzb	
9	1	1820422	Inner tube	Innerrör	
9	1	1820419	Inner tube for tilt	Innerrör för tilt	
10	1		Screw ISO 4762 M6x10 fzb	Skruv ISO 4762 M6x10 fzb	
11	1		Bracket	Fjäder	
12	1		Stop	Stång	
13	1		Screw ISO 7380 M3x6 fzb	Skruv ISO 7380 M3x6 fzb	
14	1		SLS Bracket	SLS fäste	

Artikel

En artikel består av en eller flera detaljer. Om en artikel består av flera detaljer är det markerat i sprängskisserna med ett klamer i anslutning till artikelns posubbla där det står vilka detaljer som ingår i artikeln. se Ex 1.

Antal

Det angivna antalet framför en artikel är det sammanlagda antalet för hela produkten.

**Ex 1:**

I fast sitsrör Pos. 2, ingår poserna 3till 8 som står i klamret under. (se ovan)

Ex 2:

Beställs ett Ytterrör, pos. 2, så står det att antalet är 1. Det finns med andra ord bara ett ytterrör på chassit. Men om man tittar på antalet i ingående detaljer, så kan antalet variera, i tex. pos 4 är det 4 st för att ytterröret ska vara komplett.



Order no: 201245-SE-0