

LEVO[®].dt 

THE EXPERTS IN STANDING



Since 1975, when Levo AG introduced the first stand-up wheelchair, increasing quality of life has been the company's top priority. As the leading supplier of stand-up wheelchairs, Levo, the experts in standing, offer a complete range to meet all individual requirements, for both children and adults, suitable for body sizes from 90cm to 200cm (from 35.5" to 79") and up to a maximum user weight of 130kg (287lb).

With a total weight of only 17 kg, the Levo active-easy LAE (manually propelled and manually standing) is one of the lightest stand-up wheelchairs in the world. Levo wheelchairs are also available in manually propelled/powered standing or as fully powered models. The adjustability of height, width, footrest, seat, armrest and backrest angles on all Levo models, together with appropriate accessories allows optimal adaptation to each user's needs.

LEVO active- easy LAE

The high performance manual
wheelchair with standing
technology



LEVO stands for a better quality of life

LEVO.^{ot} 
THE EXPERTS IN STANDING

Manual driven with assisted manual stand up

This is LEVO: The touch of a lever elevates you to a safe, comfortable standing position to interact with your active life. At work, in school or at home, LEVO standing wheelchairs, offer exactly what you need: Independence, Mobility, Support, Health and Quality.

Each wheelchair is designed from the experience of more than 30 years of research, development and client response. LEVO is proud to offer wheelchairs that combine seating and standing positions matched to your unique biomechanical dynamics with superior maneuverability, size, weight, aesthetics and adjustability. All models are reviewed and certified by internationally approved testing institutes.



LEVO active-easy LAE



Versatile, active, choice

You have an active life and want a wheelchair that keeps up with you and meets your demands. No matter the place or situation, the LEVO LAE guarantees you maximum mobility and response with its advanced action radius. Add the opportunity to sit, stand or position at all the angles in between and you are ready to elevate at work, sit for dinner or join your friends at the bar. With the LEVO LAE you choose the extent – and level – of participation.

Wheelchair characteristics

- Agile, active. Quick response
- Excellent driving characteristics indoor and outdoor
- Convenient quick release rear wheels, front castors and a folding backrest make for easy vehicle transport
- Simple and fast adjustment for individual preferences
- Accessories to build your personalized chair



Seating and Standing design

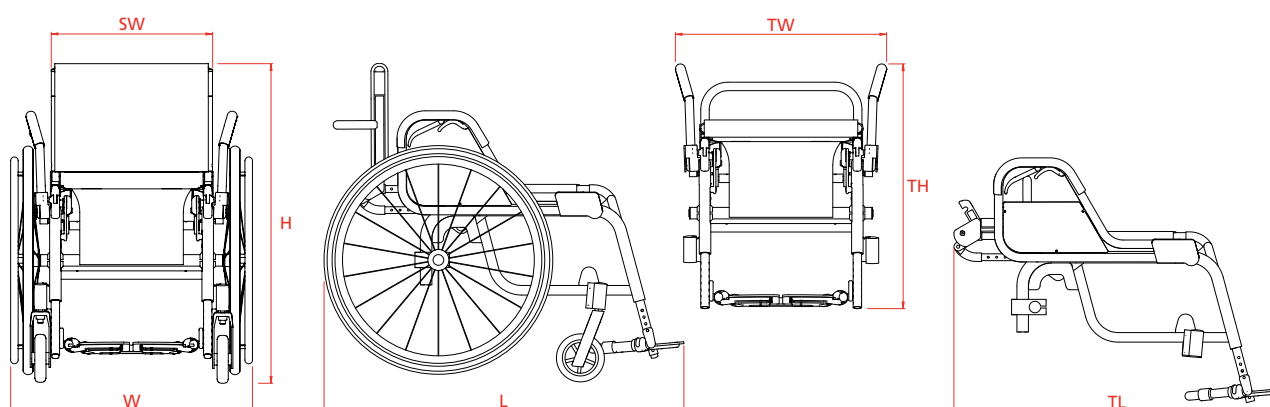
- Complete standing position up to 85°
- Sit, Stand – and anywhere in between
- Six ground stability points ensure solid and secure standing position
- Gas springs move you to controlled positioning through easy one hand operation
- Optimal and matched body mechanics in all seating and standing positions
- Numerous medical benefits because of more frequent standing

Use the LEVO LAE everywhere, every day

LEVO Stands for a better quality of life

Highlights

- Smooth standing and positioning movement
- Excellent driving characteristics
- Easy and safe to handle
- Transport friendly
- Aluminum light weight
- Adjustable for upper and lower leg length, foot position and back height
- Seat width from 35 – 48 cm
- Seat depth up to 54 cm
- User weight up to 120 kg
- Multiple color options
- Certificates: TÜV, CERAH, HI, FDA/510(k), Crash Test



Technical Data

Model	S – M	L – XL
Seat width (SW)	35/38/40/42/45/48	
Total width (W)	57/60/62/64/67/70	
Total length (L)	84–90	93–104
Total height (incl. backrest) (H)	80	
Backrest upholstery height min.	31	
Seat upholstery height front	48/51/54/57	
Seat upholstery depth	29–42	43–57
Footrest	height and angel adjustable	
Total weight (without removable parts)	18 (13)	
Rear wheels	22"/24"/26"	
Transport dimensions max. (TL x TW x TH)	98 x 64 x 50	

All measurements in cm and kg. Discrepancies in the measurements may arise due to wheelchair modifications.

Options/Accessories

Foam seat cushion
 Anti-tip rollers
 Tip aid
 Backrest extension
 Push handles
 Push handle extension
 Spinergy wheels
 Camber
 Spoke guard
 V-Trak back
 ... many more on request

Colors

5 standard colors (blue, red, yellow, platinum, black) and 190 other color options

LEVO compact- easy LCEV

The high performance manual
wheelchair with power standing
technology



LEVO stands for a better quality of life

LEVO.dt⁺
THE EXPERTS IN STANDING

Manual driven with power stand up

This is LEVO: The touch of a switch elevates you to a safe, comfortable standing position to interact with your active life. At work, in school or at home, LEVO standing wheelchairs, offer exactly what you need: Independence, Mobility, Support, Health and Quality.

Each wheelchair is designed from the experience of more than 30 years of research, development and client response. LEVO is proud to offer wheelchairs that combine seating and standing positions matched to your unique bio-mechanical dynamics with superior maneuverability, size, weight, aesthetics and adjustability. All models are reviewed and certified by internationally approved testing institutes.



LEVO compact-easy LCEV



Participate in an active life

You are active and want a wheelchair that fits you and enhances your life. The LEVO LCEV is your answer. It combines an active, agile wheelchair and life enriching standing at the touch of a switch. The quiet, reliable actuator smoothly moves you to and through any and all angles from the seated position to a full 86° standing position. Anyplace, anytime have the choice of where you want to be in the joy of an active life with a LEVO LCEV!

Wheelchair characteristics

- Agile, Active, Compact
- Excellent driving characteristics indoor and outdoor
- Convenient quick release rear wheels, front castors and a folding backrest for easy vehicle transport
- Simple and fast adjustment for individual preferences
- Accessories to build your personalized chair



Seating and Standing mechanism

- Electrical standing unit: operated by the touch of a switch, engages powerful actuator
- Different switches available for people with all levels of hand and finger function
- Complete standing position up to 86°
- Sit, Stand – and anywhere in between
- Six ground stability points ensure solid and secure standing position
- Electric actuator standing – smooth, stable, safe
- Optimal and matched body mechanics in all seating and standing positions
- Numerous health benefits because of more frequent standing

Use the LEVO LCEV everywhere, every day

LEVO Kid & Junior

The every day wheelchair that let's
your child stand, play and grow –
everyday



LEVO stands for a better quality of life

LEVO[®].dt⁺
THE EXPERTS IN STANDING

Levo stands for their independence



To be part of...

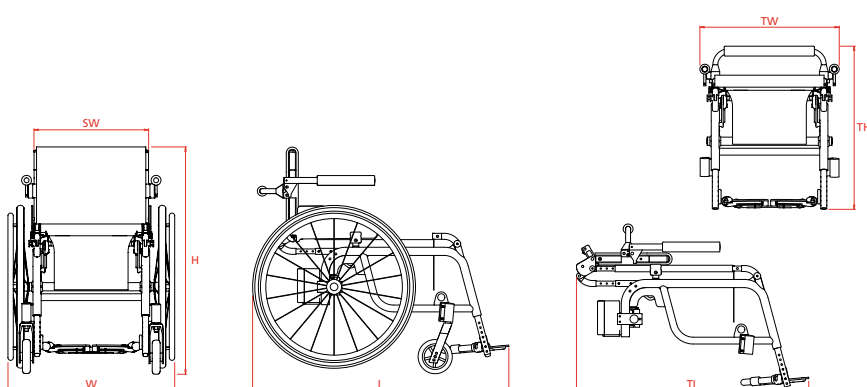
Your child is active and wants to reach up and be part of it all. The LEVO Kid & Junior is their partner in play, in learning, in growing to their full potential. Like your child, the LEVO Kid & Junior is lively and fun with special abilities. Different seating positions and standing up to 86° offers a high degree of independence and flexibility. Easy adjustable growth plates, a wide range of accessories and options let the LEVO Kid & Junior smoothly grow with your child for many years.



LEVO Stands for a better quality of life

Highlights

- Smooth standing and positioning movement
- Compact, maneuverable, light
- Safe and secure stand-up operation elevating to any and all angles between sitting and 86° standing
- Switch activation and switch option for all levels of hand/finger function
- Adjustable for upper and lower leg length, foot position and back height
- Six ground stability points ensure solid and secure standing position
- User weight up to 120 kg
- Wide range of different options and accessories
- Multiple color option
- Certificates: TÜV, CERAH, HI, FDA/510(k), Crash Test



Standard configuration

Armrests folding upwards and height and angle adjustable, folding down backrest angle adjustable, battery and charger, chest belt and knee support

Options/accessories LCEV

Foam seat cushion, Anti-tip rollers, Tip aid, Backrest extension, Push handles, Push handle extension, Swing away chest support, Spinergy wheels, Camber, Spoke guard, V-Trak back, ... many more on request

Technical Data

Model	LCEV		Kid & Junior	
	S-M	L-XL	Kid	Junior
Seat width (SW)	35/38/40/42/45/48/50		30/35	
Total width (W)	53/56/58/60/63/66/68		49/54	
Total length (L)	84-90	93-104	69-72	77-83
Total height (incl. Backrest) (H)	80		55	66
Backrest upholstery height min.	31		28	
Seat upholstery height front	48/51/54/57		33	40/44
Seat upholstery depth	29-42	43-57	24-40	
Footrest	Height and angle adjustable			
Total weight (w/o detachable parts)	25 (19)	26 (20)	17 (12)	19 (14)
Rear wheels	22" / 24" / 26"		16"	20" / 22"
Batteries	2 Batteries à 12V/2,7 Ah			
Transport dimensions max. (TL x TW x TH)	98 x 60 x 45		62 x 45 x 43	

Discrepancies in the measurements may arise due to wheelchair modifications. All measurements in cm and kg.

Options/accessories Kid & Junior

Growth kit seat width 30 to 35 cm, Growth kit Kid to Junior Height adjustable stroller handle, Attendant control for stand-up operation, Anti-tip devices, Table tray, Seat cushion, Back rest extension 6 to 16 cm, V-Trak back, Spinergy wheels, ... many more on request

Colors

5 standard colors (blue, red, yellow, platinum, black) and 190 other color options

LEVO C³

Another innovative design from LEVO – combining world renowned standing functions with a unique auto adjustable traction power base



LEVO stands for a better quality of life

LEVO.^{ot}
THE EXPERTS IN STANDING

All wheel drive, multi terrain, at eye level with life

This is LEVO: The touch of a switch elevates you to a safe, comfortable standing position to interact with your active life. At work, in school or at home, LEVO standing wheelchairs, offer exactly what you need: Independence, Mobility, Support, Health and Quality.

Each wheelchair is designed from the experience of more than 30 years of research, development and client response. LEVO is proud to offer wheelchairs that combine seating and standing positions matched to your unique biomechanical dynamics with superior maneuverability, size, weight, aesthetics and adjustability. All models are reviewed and certified by internationally approved testing institutes.



LEVO C³

Active, traction, innovative – quality

The powered LEVO C³ is compact, agile, easy to handle and extremely powerful – perfect for active people on the move. Curbs part of your daily commute? No problem with the LEVO C³ drive system that turns a maneuverable mid-wheel base into a powerful, climbing 4 wheel drive action base. For classroom, work or home, you also have the tight turning radius and agile maneuverability of a mid-wheel base. The LEVO C³ incorporates a new generation advancement in the famous LEVO low shearing standing systems. Incredibly smooth transition to standing including the automatic wheel base adjustment. Now you have a front wheel drive base for unparalleled driving stability and response in the standing position. The latest innovation from LEVO, the experts in standing!



Power base

- 4WD: four powered wheels for superior traction and agility
- Crawls over curbs up to 10 cm
- Climbs ramps easily up to 15°/33 %
- Off road/rough surface traction capability
- Multiple programming options for maximum choice
- Solid, secure and safe brake action

Seating/ Standing

- Automatic lengthening/matching the extension of the back and legs during transition to standing and seating. «Low shearing system»
- Engineered chairs and biomechanics in all seating and standing positions
- Low seat height for transfer and driving under tables
- Easy adjustment to individual body measurements
- Numerous health benefits due to more frequent standing

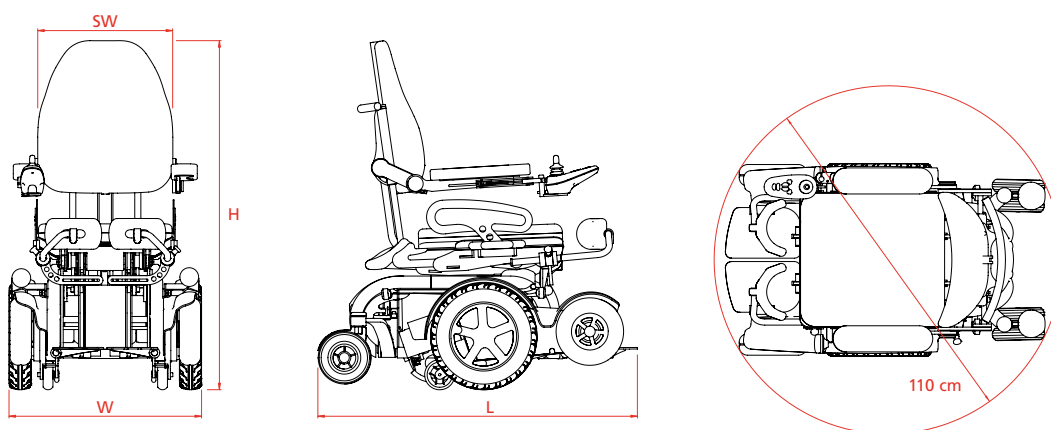


Power over curbs with the innovative LEVO C³

Stand up for yourself

Highlights

- User-friendly, simple handling
- Maximum safety in all positions
- Compact maneuverability for tight spaces (turning circle 110 cm)
- Small dimension, compact transport volume
- High battery capacity: range up to 25 km, optional up to 35 km
- Individually and manually adjustable for upper and lower leg, foot position and back angle
- Seat width 32 up to 52 cm
- User weight up to 140 kg
- Easy accessibility for maintenance and service updates



Technical Data

Model	S – XL
Seat width (SW)	32/36/40/44/48/52
Total width (W)	63
Total length (L)	105
Total height (incl. V-Trak 41 cm) (H)	100
Seat height (w/o seat cushion)	46
Seat plate depth	35 – 63
Arm rest height	15 – 36
Turning circle	110
Speed	6/8/10 km/h
Range (with 55Ah Batteries)	25 km
Manageable gradient	15° (33%)
Curb climbing ability	10
Max. chair weight	185 kg
Max. user weight	140 kg
Transport volume max.	96 x 63 x 69

All measurements in cm and kg.
Discrepancies in the measurements may arise due to wheelchair modifications.

Standard configuration

E/E Wheelchair with 4 active wheels and «Low shearing system», seat support plate, quick release for seat depth, lower leg length and back angle, seat height 46 cm, V-Trak Axxis back, flip-up armrests (adjustable for height, angle and width), VR2 control system of PG-Drives Technology with 55 Ah batteries, flip-up footrest to the side and backwards with non slip surface, knee support removable (adjustable in height, depth, angle and width), vehicle tie-down locations

Options / Accessories

Knee support integrated, Tilt in Space 0-35°, Swing away joystick, Foam cushion with cover, swing away table tray, upper leg support, chest role, Lights and indicators, ... many more on request

Colors

4 standard colors (blue, red, yellow, black) and 190 other color options

LEVO combi

The Mid-Wheel power wheelchair
with stand-up function and
complete seating systems



LEVO stands for a better quality of life

LEVO.of⁺
THE EXPERTS IN STANDING

Any position at any time, in comfort

This is LEVO: The touch of a switch elevates you to a safe, comfortable standing position to interact with your active life. At work, in school or at home, LEVO standing wheelchairs, offer exactly what you need: Independence, Mobility, Support, Health and Quality.

Each wheelchair is designed from the experience of more than 30 years of research, development and client response. LEVO is proud to offer wheelchairs that combine seating and standing positions matched to your unique biomechanical dynamics with superior maneuverability, size, weight, aesthetics and adjustability. All models are reviewed and certified by internationally approved testing institutes.



LEVO combi



One wheelchair everywhere, every day

You need power mobility but you want a customized chair that fits into your everyday life and environment. Welcome to the LEVO combi mid-wheel power base: a design that maximizes maneuverability, turning radius and overall traction for life's ups and downs. The seating system on the power base is the best combination of seated, stand and recline offered in the industry. You can even transition directly from full recline to full standing – smoothly, securely and

stop anywhere in between. In any position you can engage the world with power mobility – move, turn, reverse – all while in any of the multiple and customized seating positions that you choose for your chair. The LEVO combi easily maneuvers within your home, your work, indoors, outdoors, all while ensuring stability, safety, multiple seating and standing positions to enhance and extend quality of life.



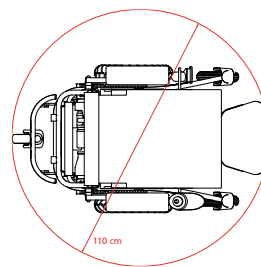
Back and knee adjustment to reduce shear



Intelligent control system of PG-Drive Technology



Smallest turning circle thanks to the center wheel drive



Seating/Standing

- Precisely engineered chair design for exceptionally smooth and low shear transition between all standing and seating functions
- Standing, seat- and back angle adjustment, seat lift, tilt, recline
- Customized match to individual body mechanics and chair design
- Numerous health benefits because of more frequent standing

Power base

- Compact size and weight with excellent power maneuverability, response and traction
- Center wheel drive provides for the smallest turning circle (110 cm)
- Stable and safe driving in seated or standing position (automatic program for controlled standing speed.)
- Safely and effectively climbs and descends ramps up to 12°
- Multiple programming options for maximum choice
- Whisper quiet drive and seating operation



Use the LEVO combi everywhere, every day

LEVO combi Jr

The Mid-Wheel power wheelchair with stand-up function and complete seating systems for junior sizes



LEVO stands for a better quality of life

LEVO.ot⁺
THE EXPERTS IN STANDING

LEVO Combi Jr



simply attend to...

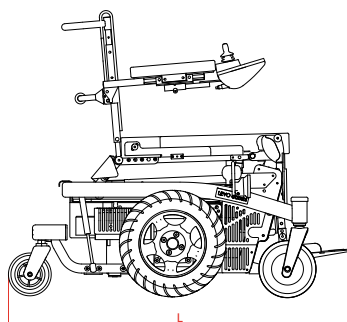
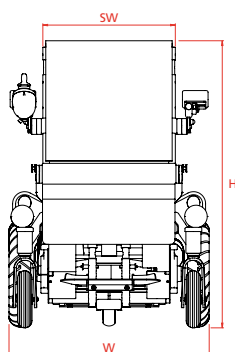
The powered LEVO combi Jr means secure and active support for your child. The extremely agile power wheelchair optimizes participation into all of your child's opportunities and activities. School – Home – Play. Like the adult version, the LEVO combi Jr has multiple power seating systems including the LEVO designed and industry leading standing capability. (Your child can drive the LEVO combi Jr even while in the standing position.) Easy adjustable growth plates, components and a wide range of accessories and options let the LEVO combi Jr smoothly grow with your child for many years.



LEVO Stands for more opportunities

Highlights

- User-friendly, simple handling
- Smooth seat/standing positioning movement
- Compact maneuverability for tight spaces (turning circle 110 cm)
- Safe and secure stand-up operation elevating to any and all angles between sitting and 85° standing
- Adjustable for upper and lower leg, foot position and back angle
- Max. user weight up to 120 kg
- Wide range and style of options, accessories and control switches
- Multiple color options
- Easy accessibility for maintenance and service updates
- Certificates: TÜV, CERAH, HI, FDA/510(k), Crash Test



Technical Data

Model	combi		combi/Jr
	S – M	L – XL	X5 – S
Seat width (SW)	38/44/50		30/35/38
Total width (W)	66		66
Total length (L)	110		110
Total height (incl. Backrest upholstery) (H)	89 – 104		89 – 104
Seat height (with seat cushion)	56 – 71		56 – 71
Seat upholstery depth	29 – 42	40 – 53	24 – 31
Armrest height (from top of cushion)	17 – 25		15 – 33
Back height (with standard backrest upholstery)	43		43
Foot rest height (from top of cushion)	37 – 58		23 – 47
Turning circle	110		110
Speed	6/8/10 km/h		6/8 km/h
Range	35 km		35 km
Max. gradient	12° (25 %)		12° (25 %)
Curb climbing ability	8		8
Max. chair weight	170 kg		170 kg
Max. user weight	120 kg		120 kg
Transport dimension	93 x 66 x 67		93 x 66 x 67

All measurements in cm and kg. Discrepancies in the measurements may arise due to wheelchair modifications.

Standard Configuration

Backrest upholstery
 Flip-up armrests, height adjustable
 Flip-up footrest
 Knee support and chest strap
 Length adjustment backrest and height adjustment armrest
 Manual seat height adjustment
 Powered stand-up function
 Powered driving in sitting and standing
 Powered lying-standing direct function if option reclining included
 Set of batteries and charger
 PGDT controller (P+/R-net)

Options/Accessories

Swing away joystick
 Lights and indicators
 V-Trak back system
 V-Trak head and thoracic support
 Powered seat lift 15 cm
 Powered reclining backrest / legrest 90–180°
 Foam seat cushion 6 cm
 Assorted knee supports and footrest wedges
 Chest role
 Table tray
 Skirt guard
 Vehicle tie-down kit
 Push handle bar
 ... many more on request

Colors

5 standard colors (blue, red, yellow, platinum, black) and 190 other color options

Frequently asked Questions



Index

1. Introduction	2
2. Benefits of standing in a wheelchair	3
2.1. Medical/therapeutic benefits	3
2.2. Functional benefits	4
2.3. Psychological benefits	4
2.4. Economical benefits	4
3. Correct Standing	5
3.1. How do I stand correctly in the LEVO wheelchair	5
3.2. Incorrect standing - usual causes and how to correct it	6
4. How often and how long should I be standing in the wheelchair?	7
5. Periodic checks of the LEVO wheelchair and your sitting practice.	8
6. LEVO is at your disposal – worldwide!	8

1. Introduction

For over 30 years LEVO has been specialized in stand-up wheelchairs and covers the complete range of manual to power wheelchairs (with rear and center wheel drive) for children and adults. LEVO wheelchairs are ergonomic adjustable to the various body mass proportions and thereby allow comfortable sitting and standing in the wheelchair. LEVO has close connections with university hospitals and incorporate their studies constantly into further development. LEVO is represented in more than 30 countries worldwide and one of their most concerns is the current technical training of their representatives to ensure the best possible benefits for the wheelchair user.

A stand-up wheelchair has specialty functions in addition to serving as a traditional wheeled mobility device. The seating and standing positions are equally important and are interacting features. If the stand-up wheelchair has been adapted correctly to your personal requirements, you should feel comfortable when sitting, standing and in all positions in between. You should:

- Feel relaxed and secure when sitting or standing, without feeling unstable.
- Not feel constricted in your activities by too many supports.
- Sit and stand as upright as possible without feeling unstable.
- Sit as symmetrically as possible, i.e. with your trunk and hips in midline.

Refer to our Service Manuals for further information.

2. Benefits of standing in a wheelchair

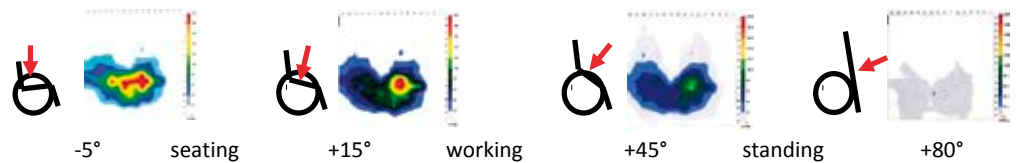
2.1. Medical/therapeutic benefits



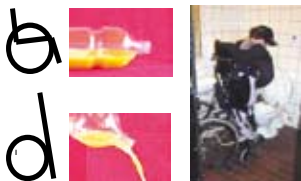
Circulation: Standing helps the circulation. Regular changes of position may assist in decreasing edema (swelling in the legs), dizziness, nausea and fatigue.

Spasms: User feedback suggests that a daily standing training program of a minimum of 30 minutes reduces spasms.

Pressure Ulcer: Asymmetrical pressure and/or excessive pressure can reduce the blood circulation to sensitive parts of the skin (over bony areas). In the standing position, these areas are relieved of pressure and the circulation increases.



Contractures: Many wheelchair users develop contractures and exhibit decreased range of motion of the joints. Daily standing exercises can reduce or prevent such contractures. Surgical treatment of contractures is expensive and time consuming as well as painful for the person concerned. Contracture prophylaxis is of vital importance, especially for growing children.



Bladder function: Due to higher blood calcium (see Osteoporosis/Bones) more calcium is being washed out by the kidneys and thereby causes an increased risk of renal calculi, bladder stones and corresponding infections. By standing the muscle tonus of the bladder may be increased, the blood calcium concentration reduced and an optimal position for bladder emptying is achieved.



Improved digestion: Daily standing exercises can help to shorten the ½ - 2 hour time commitment normally required to complete a bowel program for people with SCI



Healthy bone

Osteoporotic bone

Osteoporosis: The loss of bone mineral is mainly caused by lack of weight bearing through the bones. Weight bearing can play an important role in preventing or retarding bone mineral loss after SCI. For healthy bone growth, children should start daily standing exercises at the age of 9-14 months. Standing program should include at least 2 sets of 30 minutes with 80% of their body weight.

2.2. Functional benefits

Besides the medical benefits, the functional factors are equally important. Thanks to the stand-up wheelchair, people are able to stand up wherever they want and perform functional activities, such as reaching for objects in cupboards, without help of another person. **Independence can be achieved at home, at school, at the workplace and at leisure.**



2.3. Psychological benefits

Studies indicate that 69% of wheelchair users felt their life quality improved because of the ability to stand. Standing in the wheelchair improves quality of life through increased independence and better integration. For example, they are able to participate in more conversations eye to eye, and an increased self-esteem. Increased possibilities for leisure activities become available. Increased independence leads to a decreased reliance on others.



2.4. Economical benefits

The environment does not have to be altered to the same extent as for someone who uses a standard wheelchair, which enables an easier rehabilitation and integration at the home and workplace. Wheelchair users can use normal, not specially modified kitchens, at home or on holiday. Lower medical costs are beneficial both to the healthcare system and the individual.

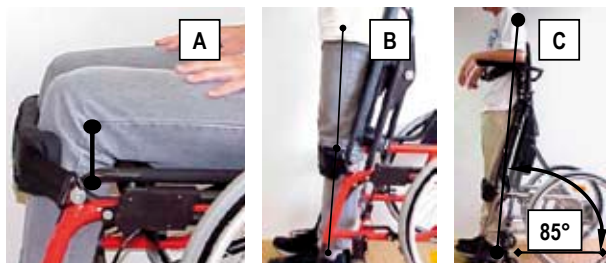


3. Correct Standing

3.1. How do I stand correctly in the LEVO wheelchair

The LEVO wheelchair must be adjusted to accommodate your height, and to meet your biomechanical requirements. Each model is available in a variety of sizes. The size should be selected to most closely match your height and body dimensions. The components can then be further fine tuned to meet your needs

3.1.1. Correct seat depth:



A. Knee support attachment screw shall be even with the centre of the knee joint!

B. In fully upright position the ankle, the knee joint, the hip joint and the shoulder joint shall be straight in line!

C. The full upright position can be in 75-85° angle to the floor. This depends on the stability of the trunk and the user's comfort.

3.1.2. Correct adjustment of knee support, chest strap and footrest:



The **knee** support should be 2-3 cm below the kneecap (see "D") and be secured so that a hand could easily slide between the leg and knee support in the seated position (see "E"). Correctly adjusted, the pressure of the knee support on the shinbone will never be more than 20% of the body weight



The height of the **chest strap** depends on the degree of trunk control. It can be fixed at different heights on the backrest upholstery. Secure the chest strap so that when sitting a fist easily slides between strap and the trunk



Right!



Wrong!

Set the footrest height so that your thighs are resting evenly on the seat!

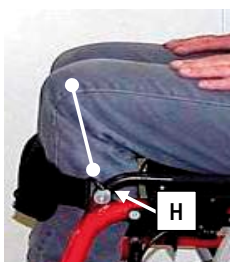
3.2. Incorrect standing - usual causes and how to correct it

The seat is too deep or too short: When set correctly, the length of thigh (measured from the rearmost point of the bottom to the hollow of the knee) should correspond to the seat depth and the knee support attachment screw should be in line with the centre of the knee.



3.2.1. Seat depth too long:

Knee support attachment screw is beyond centre of knee (see "F"). While moving into standing, you may slip down wards which results with shearing forces. Also in full standing up position the knee joint is hyper extended (see "G").



3.2.2. Seat depth too short:

Knee support attachment screw is behind centre of knee (see "H"). While moving into standing, you may be pushed up which results in high pressure on the knee support as well as shearing forces. Also in full standing up position the knees are not fully straight extended (see "I").



3.2.3. Seat cushion is too high/thick:

A high profile seat cushion shall not be brought on the top of the seat support (see "J"). It must be dropped. In seating position it may work but once you get in a standing it causes hyper- lordosis as well as high pressure on the thigh and hyper extended knee joints (see "K").



3.2.4. Backrest is too far forward or is too tense/taut:

A solid backrest or support cushion which is used for more comfort and stability shall be in line between the backrest tubes. Wrong adjustments or a too thick cushion in front of backrest upholstery (see "L") may cause a hyper extended spine, a tilt pelvic or an incomplete hip extension (see "M").



Pelvis tilts forward when standing which could cause low back pain (see "N"). Use pelvic belt to tilt pelvis back toward neutral position when standing (see "O").

Thighs should be in as neutral alignment as possible. Before trying to make corrections, first make sure that the user has adequate hip joint range of motion



3.2.5. If the legs are turning inwards, a medial knee support pad may improve alignment (see "P").



3.2.6. If one or both legs are falling outward, a lateral thigh or knee support pad may improve alignment (see "Q").

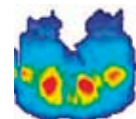


3.2.7. If both legs are tipping to one side, use of both a medial and a lateral knee support pad may improve alignment (see "O").

Caution: make sure that aligning the thighs forward does not cause the trunk to rotate. Take care, that this solution does not cause problems elsewhere in the body, like spasms, dislocation of the hip. Creating a stable seating as basic is the most important thing, which often may be reached by using a firm seat plate instead of the seating upholstery.

4. How often, and how long should I be standing in the wheelchair?

Frequent, short standing periods are more effective for health than infrequent, longer standing periods. If you wish to keep track of your standing, we offer an optional monitor, which can be motivating similar to monitoring devices on fitness equipment. **Vary your seating position in the LEVO as often as possible!**



A common position of stability for an active wheelchair user has a posterior tilted seat angle of about five degrees!



Some people benefit from a forward tilted seat for a functional working position, which promotes a better pelvis-spinal alignment. The **LEVO** offers variations of this position for all chairs!



A regular and independent standing exercise without any transfer is possible with any LEVO chair – wherever you stay!

*Pressure recording in April 2004 taken from a person with quadriplegic at the Swiss Spinal Cord Hospital in Nottwil by using the "Xsensor" pressure measuring instrument.

An open sitting angle affects a tilt pelvis and a stretched spine, a position recommended especially when sitting in front of a computer, at dinner tables etc. which shows positive effects on your back position (see "S").

You should be standing every day for a minimum of **30 – 45 minutes**. **We recommend integrating the standing training in your daily activities**, e.g. in leisure time, when watching television, at your workplace etc. You can stand anywhere, as with a LEVO you are not bound to a certain location. In addition the maxim is: **Better to stand every day for too short a period than not at all!** Be aware, that the pedestrian also has to do something for his health every day!

5. Periodic checks of the LEVO wheelchair and your sitting practice.

We recommend that, after approx. **3 months time after the purchase of the wheelchair**, you contact your supplier and/or the evaluating therapist to check that you are still sitting and standing correctly in your wheelchair. At this occasion slight adjustments can be made and other modifications can be considered based on your experiences with the chair. It is our goal that you always feel comfortable in your LEVO, which should always be the case, when the chair has been correctly adjusted. Should you at any time not feel positioned well in your chair, please contact your equipment supplier. This is the only way the chair can always fit your needs.

Generally each wheelchair user should have the chair examined **1x year** by his supplier. The following should be inspected:

- Are you still sitting and standing correctly? Problems like asymmetric pressure on the bottom cause pressure ulcers as well as significant secondary medical costs.
- For each model there is a service sheet based on which the service should be carried out. A copy has been supplied with your warranty card. Please hand it over to your supplier who in turn will carry out the service according to this sheet.

6. LEVO is at your disposal – worldwide!

Each LEVO wheelchair carries a serial number, which allows LEVO to check at any time which parts have been mounted on this chair and which technician assembled the chair or performed the final inspection. Should a part become defective, please give your supplier your chair's serial number in order that the correct part can be ordered.

LEVO guarantees delivery of spare parts for a minimum of 5 years after production of that model has been stopped. In our Swiss plant, we even stock some older parts.

LEVO is represented in more than 30 countries. On our website (www.levo.ch) you can find a local LEVO dealer. If you cannot find a dealer near you, take a digital photo of the part – or describe it (if you are not in possession of a service manual where all parts are listed by numbers) and contact us directly in Switzerland. We shall do our utmost to supply the desired part per fast delivery and a description of how it has to be mounted. If you are working with a supplier, this technical description will be forwarded directly to the supplier who is undertaking the repair.

By regular product training LEVO ensures that their partners are always on the latest status of technical and medical knowledge. LEVO supports medical examinations and studies worldwide to achieve an increased awareness of the benefits of standing.

Our goal is not only to produce quality and aesthetically pleasing wheelchairs and to service them worldwide, but also to serve the user with their product needed. We welcome any feedback. This way we are able to constantly optimize our chairs in order to serve our current and future customers with the best wheelchair possible. Many thanks!

