

EasyStand™ StrapStand™



Owner's Manual

Table of Contents

Introduction	1
Safety Precautions	2
Assembling Your StrapStand	3
Adjusting Your StrapStand	6
Using Your StrapStand	8
Maintenance	11
Parts Detail	12
Standing Log	23
Specifications	24
Limited Warranty	25

Introduction

Congratulations on your purchase of the EasyStand StrapStand standing frame. Altimate Medical, Inc. has designed the StrapStand with your comfort and happiness in mind.

This manual is an integral part of your standing system and should be read thoroughly by anyone operating the unit.

This will ensure that the StrapStand is assembled and used properly.

AMI recommends that an attendant be present when the StrapStand is being used.

Should you have a question that you cannot solve by reading this manual, please contact your local dealer or call Altimate Medical, Inc. at 1-800-342-8968 or 507-697-6393 or visit our website at www.altimatemedical.com.

It is necessary that you inspect your StrapStand periodically to assure that it is in safe operating condition. Minor adjustments can be made by the operator. However, replacement of worn parts, major adjustments, or any other important corrections should be handled by an authorized supplier or service center. Only Altimate Medical, Inc. approved replacement parts should be used to ensure safety and performance.

The StrapStand should not be used by any individual with paralysis or limited use of either the upper and/or lower body that has been confined to a bed or wheelchair for an extended period of time without first consulting a qualified physician.

Failure to consult a qualified physician prior to using the StrapStand could lead to severe medical problems. We recommend that a good standing program be established and supervised by a qualified registered therapist.

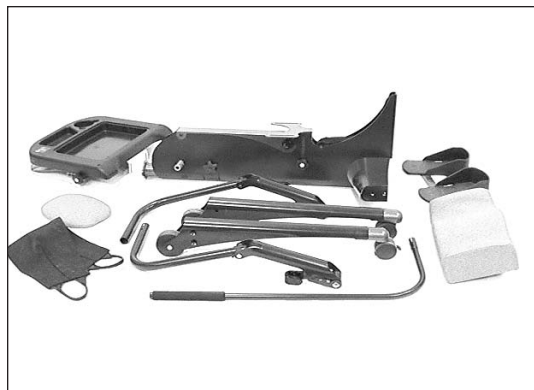
Date Purchased _____ Serial # _____

Safety Precautions

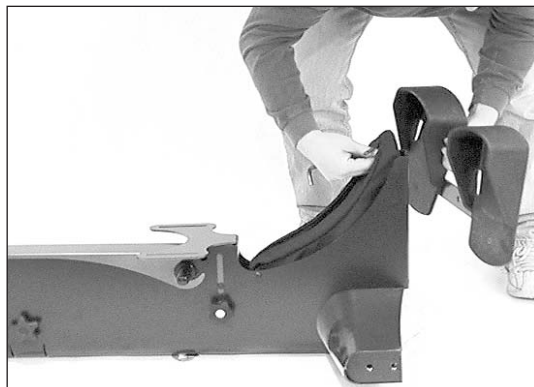
- The StrapStand is designed to accommodate *most* individuals from 5'- 6'5" (152cm-195cm) and up to 350 lbs (159 kg). If you do not meet these specifications and have not been properly fit by a qualified therapist or physician, Altimate Medical does not recommend that you use the StrapStand.
- Altimate Medical recommends that you consult with your therapist or physician prior to starting a standing program.
- Check your StrapStand periodically to make sure that all nuts, bolts and adjustable parts are tightened securely.
- Do not transport anyone with the StrapStand on padded or deep pile carpet. It may interfere with the wheel and caster movement.
- If the unit was exposed to temperatures of less than 50°F (10°C), you must allow the unit to warm up to room temperature before use.
- Use body weight to lower the lift mechanism. Do not use excessive force.
- The StrapStand is for indoor use only.
- Violently thrusting sideways or backwards in the StrapStand may cause it to tip.
- You should always lock the casters before transferring into and using the StrapStand. Use these locks to keep the StrapStand stationary.
- Do not use the StrapStand on ramps, uneven floors or over door jams.

Assembling your EasyStand® StrapStand™

- #1** The basic StrapStand includes the following parts: base, 2 lifting arms, 2 legs, strap, actuator handle, formed table with insert, kneepad, footrest, tools and owner's manual.



- #2** Remove the bolts from the footrest, unzip the tool pouch on the base of the unit and attach footrest with two bolts. Tighten securely.



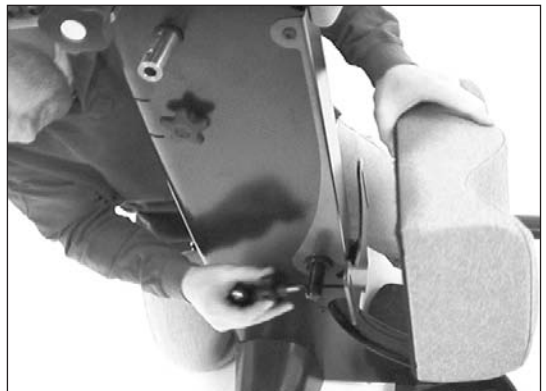
- #3** Attach the legs to the base with the 3 1/4" bolts (two for each side). Tighten securely.



#4 Bring the unit to the standing position and attach the formed table with bolts found in the table. Attach front pad with the two knobs as shown. Tighten securely.



#5 Attach kneepad with the two knobs as shown. Tighten securely.



#6 Remove bolts from the horizontal lifting rod (fig. A) on the unit and attach the lifting arms. Reinsert the bolts and tighten securely. Repeat this process on the other side.

NOTE: The lift arms should be horizontal as shown (fig. B) when properly assembled.

Fig. A

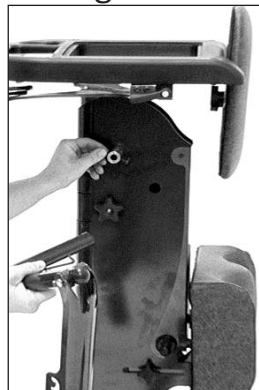
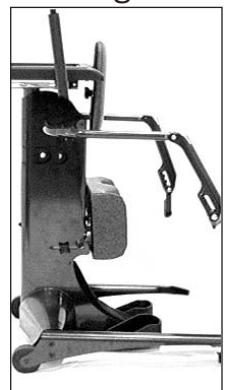


Fig. B



#7 Remove the bolts from the actuator handle and attach to the actuator shaft. Use the bolt holes that will align the handle vertically, as shown. It can be mounted on the left or right side. Tighten bolts securely.



#8 Place the tools in the pouch at the base of unit for later use when needed.



Adjusting your EasyStand[®] StrapStand[™]

Table Height

To adjust the height of the table and front pad, loosen the knob located under the lift arms. Lift the table to its desired height and tighten the knob securely.



Table Depth

To adjust the table depth, loosen the knobs on each side of the table and slide the table to your preference. Tighten both knobs securely.



Front Pad Height

The height of the front pad can be adjusted independent of the table height. Loosen knobs located behind the front pad. Bring front pad to its desired height and tighten the knobs securely. Frontpad can be inverted for further adjustment.



Kneepad Height

To adjust the kneepad height, loosen the knobs on both sides of the kneepad. Lift kneepad to desired height and tighten both knobs securely.



Kneepad Depth

To adjust the kneepad depth, loosen the knobs located on each side of the unit behind the kneepad. Move kneepad to desired depth and tighten both knobs securely.



Strap Position

The strap can be adjusted to accommodate different size individuals. This will vary slightly depending on the strap size and the girth of the individual.



Swing-out Legs

To use the optional swing out legs, pull the pin down and extend the leg outward until you hear a definite "click".



Using your EasyStand[®] StrapStand[™]

- #1** To use the StrapStand, position your wheelchair as close as possible to the kneepad. Casters on the StrapStand should be in the locked position.

WARNING: Consult your therapist or doctor before starting any standing program.



- #2** Position your feet in the foot holders. Adjust kneepad height so knees are centered in the kneepad. With your wheelchair locked, slide forward on your seat so that your knees make contact with the kneepad.



- #3** Hook the strap on one side and bring the other side around you. Hook it on the other side as well.



#4 After attaching the strap to the lifting arms, adjust hook position for your preference (see step #7).



#5 Adjust the placement of the strap under your buttocks so that the top edge of the strap is slightly under your belt line. Slide it into place with your hand as shown.

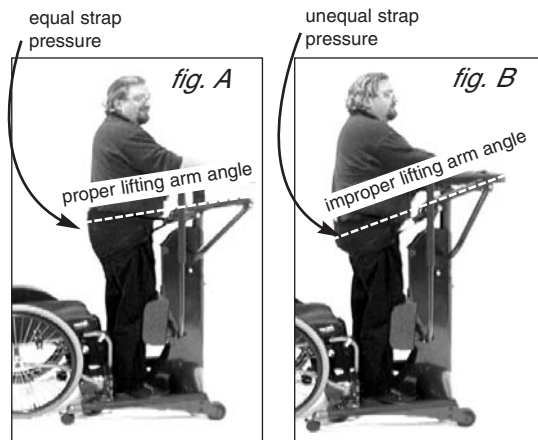


#6 Partially lift yourself by pumping the actuator handle towards you to tension the strap. At this time you may want to reposition the strap. Continue until you are into full standing position.



#7 When in the standing position, the lifting arms should be positioned with only a slight upward pull (fig. A). Check for equal pressure on top and bottom edge of strap.

Improper adjustment will pull up on the user (fig. B) and cause unequal pressure on the strap.



#8 The optional upper body support strap attaches to the lifting arms. The individual should be leaning back into the strap when seated.



#9 To let yourself down push forward on the actuator handle.



Maintenance

- Clean the EasyStand StrapStand with a mild non-abrasive disinfectant or soap and water.
- Check your EasyStand periodically to make sure that all nuts, bolts and adjustable parts are tightened securely. Failure to do so may result in parts falling off which may cause a choking hazard for children

Hydraulic Actuator Maintenance

- An initial break-in period of approximately 50-100 full cycles is normal for the hydraulic unit. You may experience a squeaking or a less-than-smooth forward stroke. The very close fit of its mating parts gives each pump its own break-in “feel” and signature sound.
- If the pump is leaking oil, call your local AMI Supplier for a replacement. The serial number of the StrapStand will be needed.
- Do not exert excessive force on the pump handle or use the pump handle to move your EasyStand around. This may cause damage to the pump handle and/or the pump mechanism and will void any warranty.
- User maintenance is not required or recommended on the hydraulic pump. Never apply lubricant, household oil, grease, or a similar product to any part of the unit. Some compounds may react with the seals used in the manufacture of this product. This may damage the unit and will void any warranty.
- Do not exceed the rated weight capacity of the equipment for which this hydraulic unit is used on (the weight limit for the EasyStand StrapStand is 350 lbs).
- If your EasyStand was shipped to you during or exposed to a temperature of less than 50 degrees Fahrenheit, you must allow the hydraulic unit to warm up to room temperature before any use. Failure to follow this step could damage the unit and render it inoperable.
- It is sometimes not necessary to push the pump handle all the way forward to lower the seat. If you have difficulty getting the seat to lower, try pushing the handle forward into different positions.
- If the unit is in the standing position and unoccupied, it is necessary to apply pressure to the seat of the unit while pushing the pump handle forward.

PURGING THE HYDRAULIC ACTUATOR

The hydraulic pump on your EasyStand has a high probability of getting air trapped in the internal workings of the unit. This is usually caused by in-transit handling and is quite normal. Please follow the simple steps below, as manual hydraulic systems may never operate properly unless the entrapped air is correctly purged. The unit must be at room temperature for this procedure.

1. Pump the handle until the full extension is reached.
2. Now continue pumping the handle slowly for an additional 10 strokes. This will properly purge the system.

EasyStand[®] StrapStand[™] Parts Detail

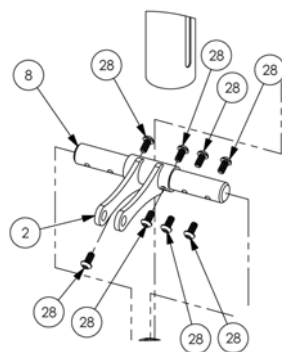
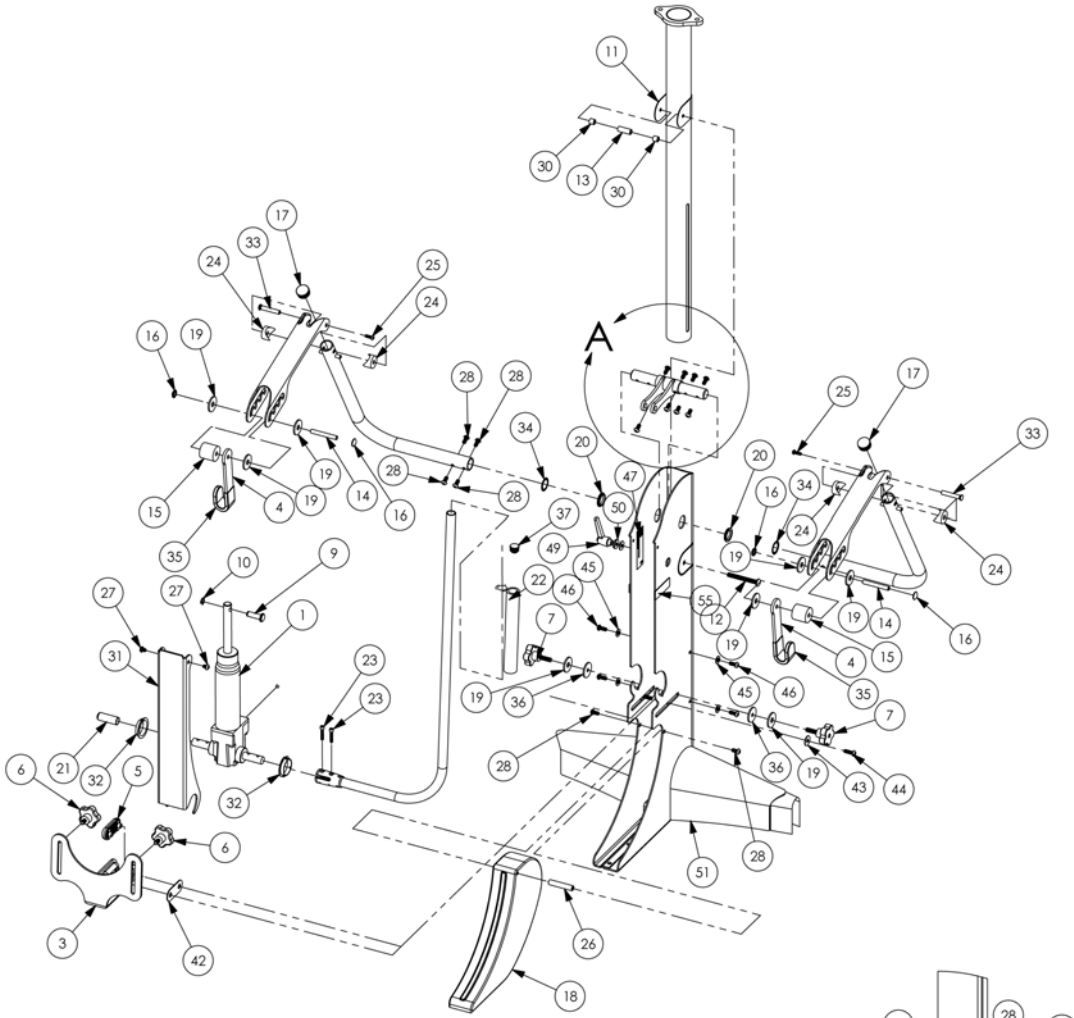
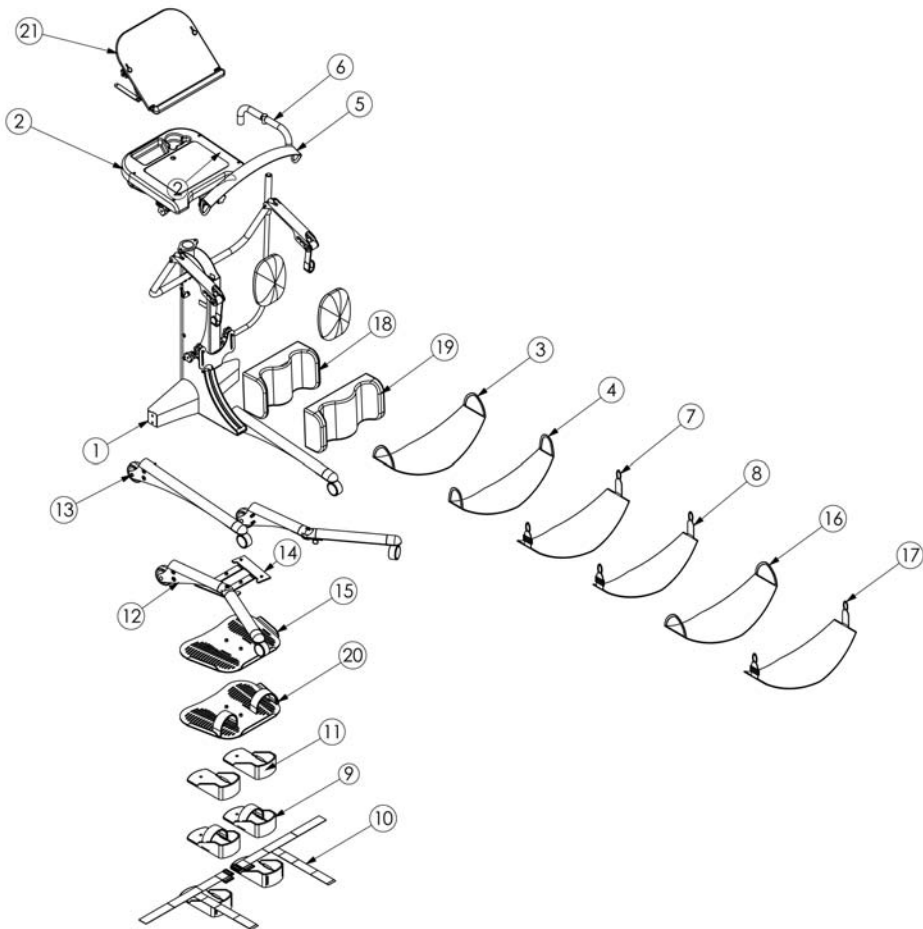


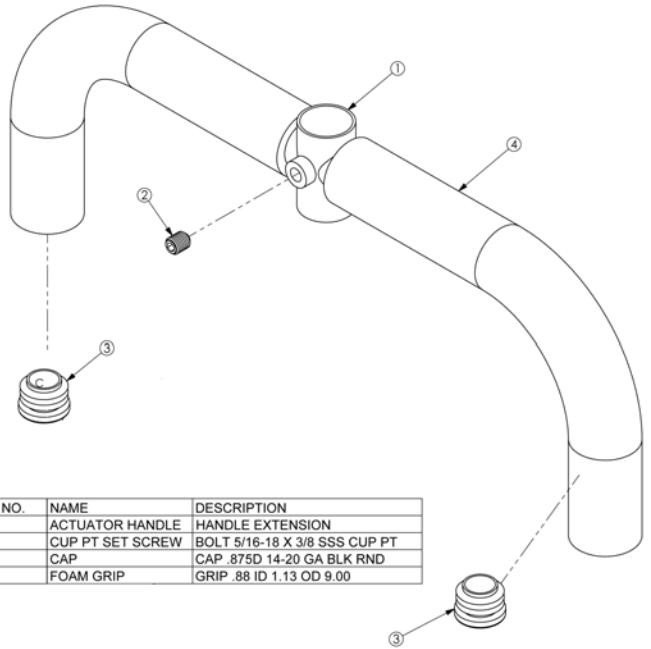
FIG A

ITEM NO.	PART NUMBER	DESCRIPTION
1	10090	HYD CYL POWER PACKER MODEL
2	80298	WELDMENT LIFT ARM
3	80302	PT 6.877H 9.75W 6.291L
4	80675	PT 1.500W 7.000H 1.250L
5	80432	PT .938H 1.25W 3.062L
6	10000	KNOB 5/16"-16 X 5/8 ZC 5 PT
7	80915	KNOB 5/16"-18 X 1 1/4 ZC 5 PT
8	80297	PT 1.00D 8.00L SOLID
9	80409	CLEVIS PIN .472" D X 1.407"L
10	80610	E-RING ER-43
11	80711	PT .060W 2.25H 3.875L
12	80713	BOLT 5/16-18UNC X 3.25L CARRIAGE
13	80712	.50D .330ID 1.312L
14	80715	PT .375D 2.813L SOLID
15	80716	SPACER 1.500D .406ID 1.468L NYLON
16	80717	CAP FITS 3/8" SOLID BAR
17	10074	CAP 1.25D 14-23 GA BLK RND
18	80678	POUCH TOOL
19	80782	WASHER 1.50D .437ID .130L NYLON
20	80783	PT BEARING 1.25D X 1.005ID X .196H
21	92702	CAP .625ID 2.00L BLK
22	97481	GRIP .88 ID 1.13 OD 9.00
23	91201	BOLT 1/4-20 X 1-1/4 SHCS
24	80736	WASHER 1.250D .375ID .86H COVED
25	80950	BOLT 1/4-20 X 3/4 BTN SHCS
26	80801	.500D X 5/16-18 X 2.50L
27	80833	5/16-18 X 3/8 BTN SHCS
28	80393	BOLT 5/16-18 X 5/8 BTN SHCS
29	80301	WELDMENT ADJUSTABLE TABLE SUPPORT
30	80837	PT .50D .330ID .468L
31	80424	PT 2.814H 2.866W 18.247L
32	10767	NYLINER #2717A
33	80758	BOLT SEX 1/4-20 X .375 X 2.093 BARREL
34	80898	PT RETAINING RING 1.32 D 1.0 ID .054 H
35	80759	.375H 1.375W 5.00L
36	80918	WASHER 1.50D .343ID .130L
37	10764	CAP .875D 14-20 GA BLK RND
42	81174	PT .063H 1.25W 6.062L
43	80887	WASHER .98D .343ID .065H NYLON
44	91103	BOLT 5/16-18 X 1 BTN SHCS
45	91606	WASHER 3/8"ID X 3/4"OD NYLON BLACK
46	91102	BOLT 5/16-18 X 3/4 BTN SHCS
47	10765	SERIAL NO LABEL
49	80965	KNOB 5/16-18 FEMALE QUICK ADJ.
50	91603	WASHER 5/16 USS WASHER ZC
51	80292	RM WELDMENT CENTER FRAME
55	NG40002	LABEL 1.00W X 3.00L EASYSTAND



ITEM	QTY.	PART NO.	NAME	DESCRIPTION
1	1	2000		STRAPSTAND GRAY
2	1	80755	BLACK MOLDED TABLE OPTION	BLACK MOLDED TABLE OPTION
3	1	80719	LIFTING STRAP LARGE	STRAP SEAT LG GRAY
4	1	80811	LIFTING STRAP SMALL	STRAP SEAT SM BLACK
5	1	80829	LIFTING BACK STRAP	STRAP BACK BLACK
6	1	5022	ACTUATOR HANDLE EXTENSION	ACTUATOR HANDLE EXTENSION
7	1	80881	ADJ LIFTING STRAP LARGE	ADJ LIFTING STRAP LARGE
8	1	80882	ADJ LIFTING STRAP SMALL	ADJ LIFTING STRAP SMALL
9	1	80634	FOOT HOLDERS W/STRAPS	FOOT HOLDERS W/STRAPS
10	1	80616	SECURE FOOT STRAP OPTION	SECURE FOOT STRAP OPTION
11	1	80635	FOOT HOLDERS	FOOT HOLDERS
12	1	80948	SWING AWAY LEG OPTION	SWING AWAY LEG OPTION
13	1	80954	STANDARD LEG OPTION	STANDARD LEG OPTION
14	1	80967	FOOT HOLDER BRACKET	FOOT HOLDER BRACKET
15	1	80966	FOOT PLATE OVERSIZED	FOOT PLATE OVERSIZED
16	1	80962	LIFTING STRAP EXTRA LARGE	LIFTING STRAP EXTRA LARGE
17	1	80963	ADJ LIFTING STRAP EXTRA LARGE	ADJ LIFTING STRAP EXTRA LARGE
18	1	80756	GRAPHITE GRAY UPHOLSTERY	GRAPHITE GRAY UPHOLSTERY
19	1	80959	GRAPHITE GRAY UPHOLSTERY EXTRA LARGE	GRAPHITE GRAY UPHOLSTERY EXTRA LARGE
20	1	80969	FOOT PLATE W/STRAPS OVERSIZED	FOOT PLATE W/STRAPS OVERSIZED
21	1	81011GG	TABLE TILT BLACK MOLDED GRAPHITE GRAY	TABLE TILT BLACK MOLDED GRAPHITE GRAY

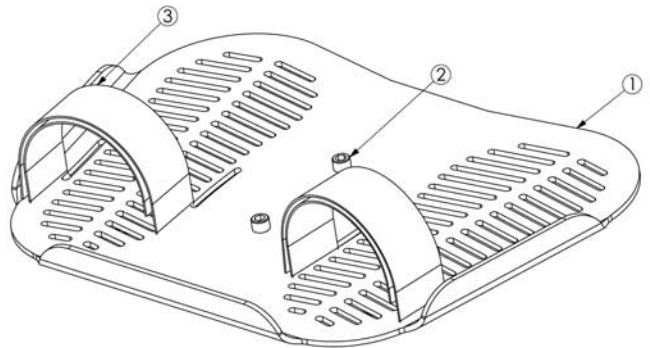
Actuator Handle Extension #P5022



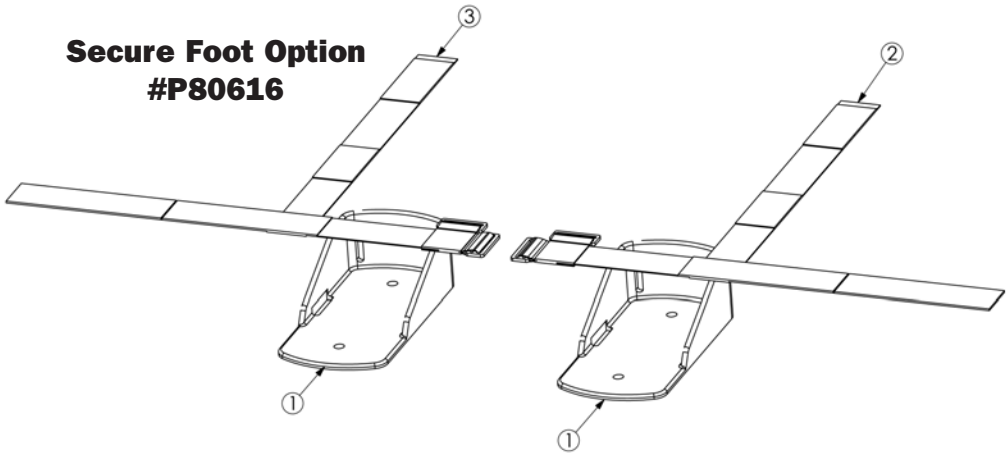
ITEM	QTY.	PART NO.	NAME	DESCRIPTION
1	1	10781	ACTUATOR HANDLE	HANDLE EXTENSION
2	1	10784	CUP PT SET SCREW	BOLT 5/16-18 X 3/8 SSS CUP PT
3	2	10764	CAP	CAP .875D 14-20 GA BLK RND
4	2	97481	FOAM GRIP	GRIP .88 ID 1.13 OD 9.00

XL Footplate w/Straps #P80969

ITEM	QTY.	PART NO.	NAME	DESCRIPTION
1	1	80956	FOOT PLATE	PT 1.23H 19.844W 14.48L
2	2	80886	BOLT	BOLT 3/8-16 X 5/8 SHCS
3	2	51200	VELCRO FOOT STRAP	STRAP FOOT BLACK

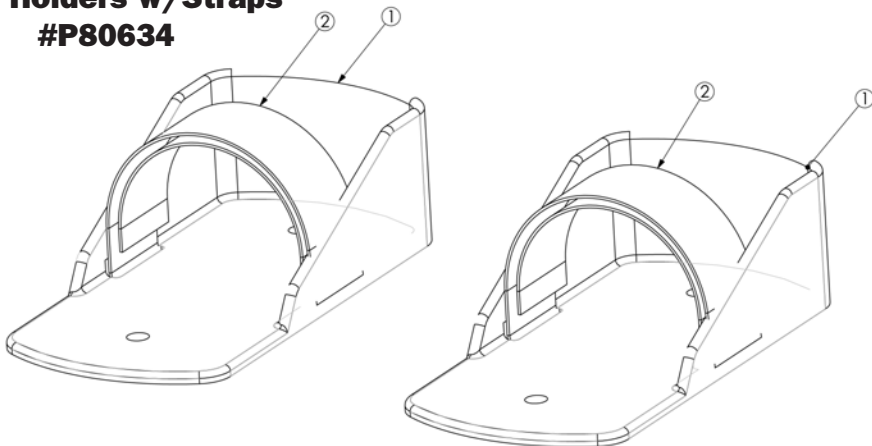


**Secure Foot Option
#P80616**



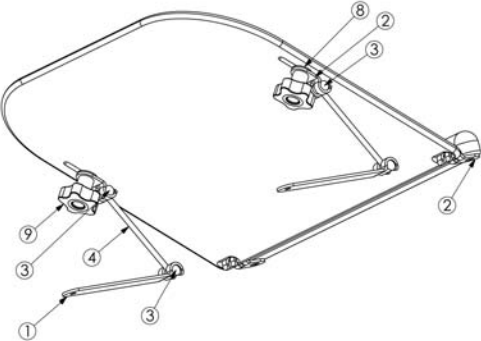
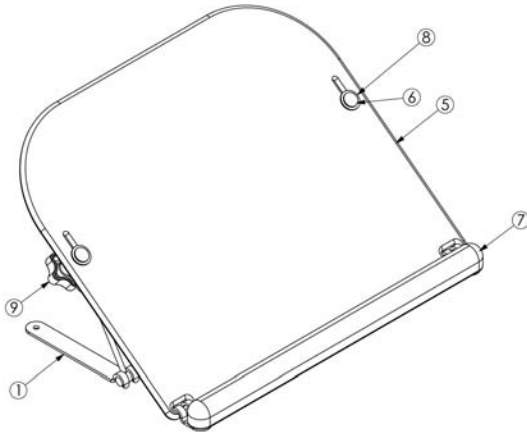
ITEM	QTY.	PART NO.	NAME	DESCRIPTION
1	2	80661	SECURE FOOT HOLDER	PT PLASTIC SECURE FOOT HOLDER
2	1	80589	VELCRO/HOOK HEEL & ANKLE STRAP LH	STRAP SECURE FOOT L BLACK
3	1	80590	VELCRO/HOOK HEEL & ANKLE STRAP RH	STRAP SECURE FOOT R BLACK

**Foot Holders w/Straps
#P80634**



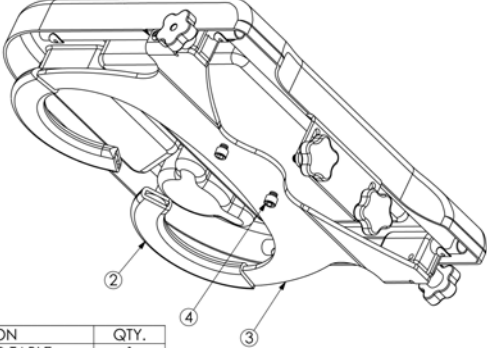
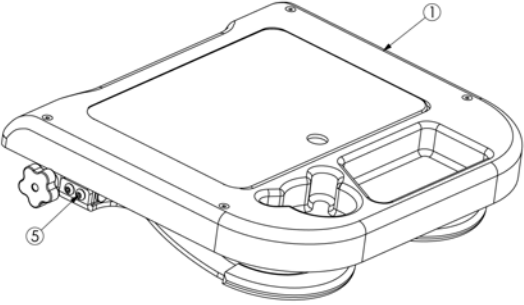
ITEM	QTY.	PART NO.	NAME	DESCRIPTION
1	2	53281	FOOT HOLDER PLASTIC	FOOT HOLDER PLASTIC
2	2	51200	VELCRO FOOT STRAP	STRAP FOOT BLACK

Angle Adjustable Table #P81011



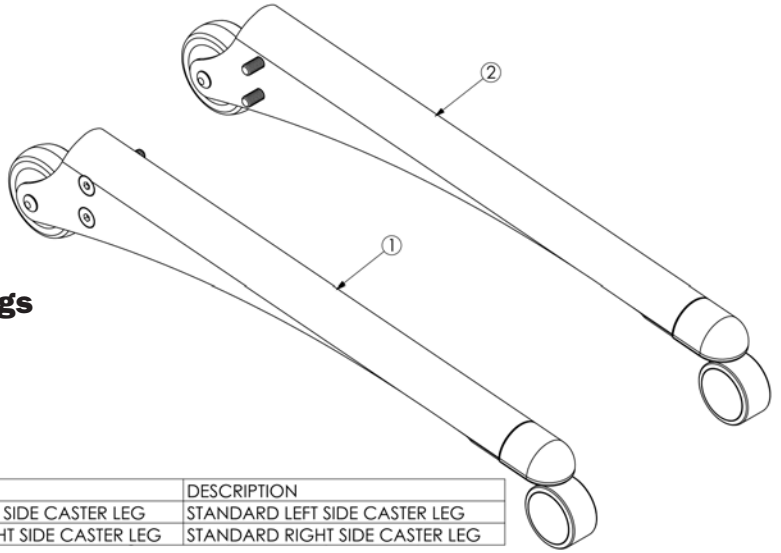
ITEM NO.	PART NO.	QTY.	NAME
1	80984	2	BRACKET TILT TABLE REAR
2	80982	4	BRACKET TILT TABLE
3	80985	4	TILT TABLE NYLON ROD
4	80986	2	TILT TABLE ROD
5	81013	1	BLACK MOLDED TILT TABLE TOP
6	80815	2	5/16" CARRIAGE BOLT
7	81007	1	PAD BLACK MOLDED TABLE GRAPHITE GRAY
8	80283	4	NYLON WASHER
9	92406	2	FEMALE 5 PT KNOB

Black Molded Table #P80755

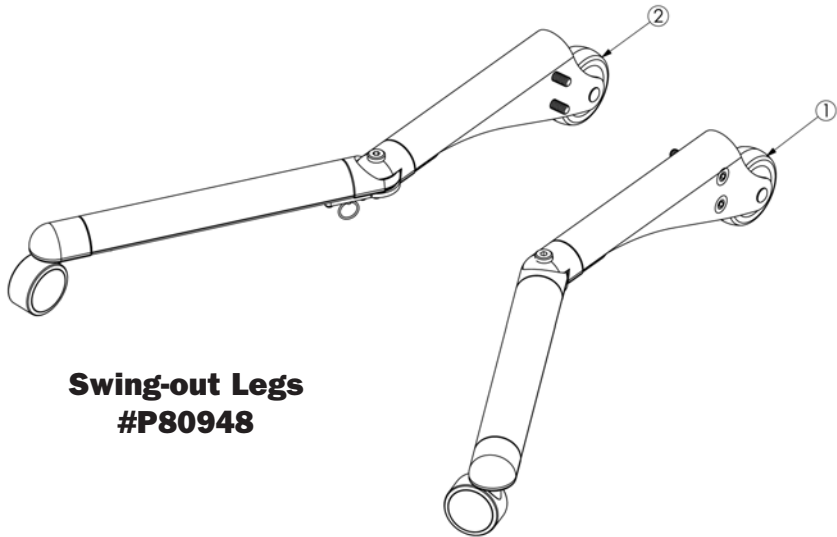


ITEM NO.	PART NUMBER	DESCRIPTION	QTY.
1	80676	BLACK MOLDED TABLE	1
2	97481	GRIP .88 ID 1.13 OD 9.00	2
3	80299	PT .25H 14.056W 19.902L	1
4	80886	BOLT 3/8-16 X 5/8 SHCS	2
5	80393	BOLT 5/16-18 X 5/8 BTN SHCS	4

**Standard Legs
#P80954**



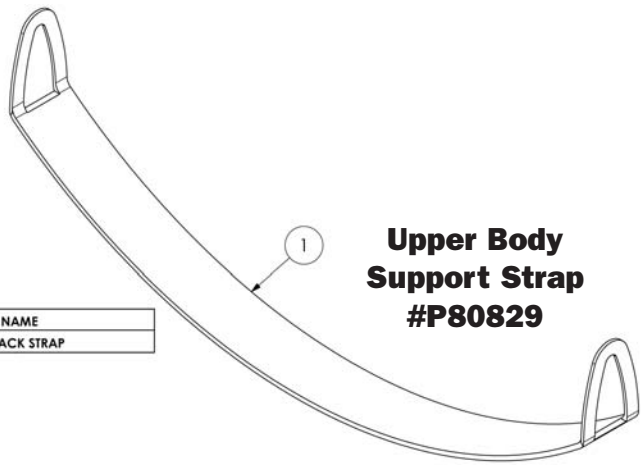
ITEM	QTY.	PART NO.	NAME	DESCRIPTION
1	1	80952L	STANDARD LEFT SIDE CASTER LEG	STANDARD LEFT SIDE CASTER LEG
2	1	80952R	STANDARD RIGHT SIDE CASTER LEG	STANDARD RIGHT SIDE CASTER LEG



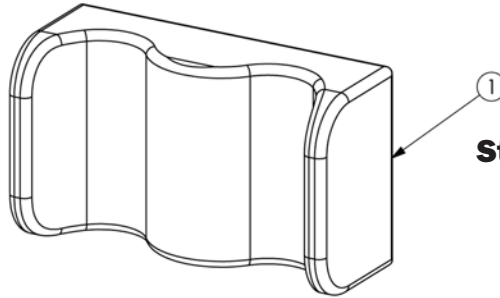
**Swing-out Legs
#P80948**

ITEM	QTY.	PART NO.	NAME	DESCRIPTION
1	1	80932R	SWING AWAY RIGHT SIDE CASTER LEG	SWING AWAY RIGHT SIDE CASTER LEG
2	1	80932L	SWING AWAY LEFT SIDE CASTER LEG	SWING AWAY LEFT SIDE CASTER LEG

ITEM NO.	PART NO.	QTY.	NAME
1	80829	1	LIFTING BACK STRAP

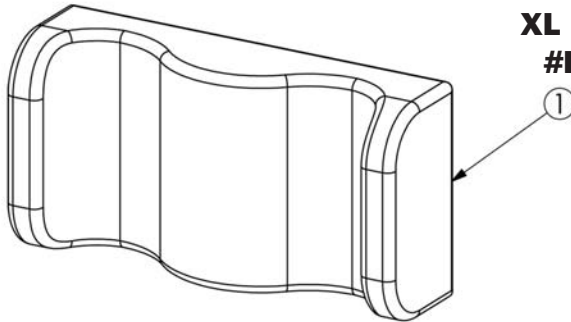


**Upper Body
Support Strap
#P80829**



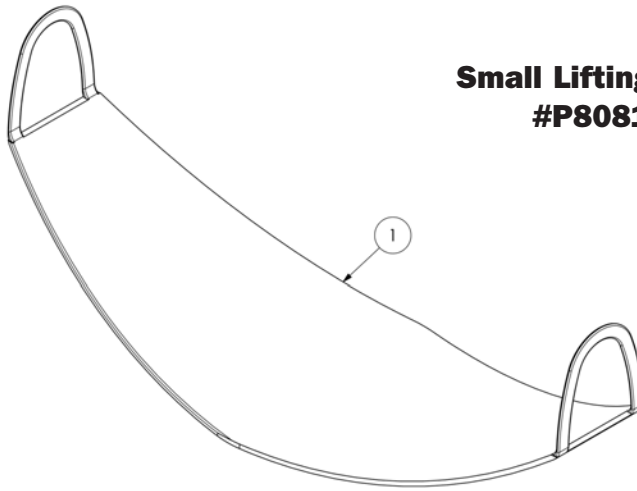
**Standard Kneepad
#P210464**

ITEM	QTY.	PART NO.	NAME	DESCRIPTION
1	1	80464	LARGE KNEE BASE	PAD KNEE LG GRAPHITE GRAY



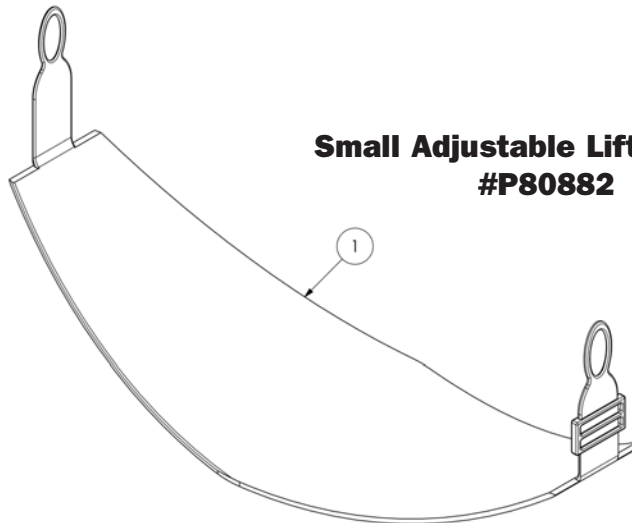
**XL Kneepad
#P80958**

ITEM	QTY.	PART NO.	NAME	DESCRIPTION
1	1	80958	LARGE KNEE BASE	PAD KNEE LG GRAPHITE GRAY



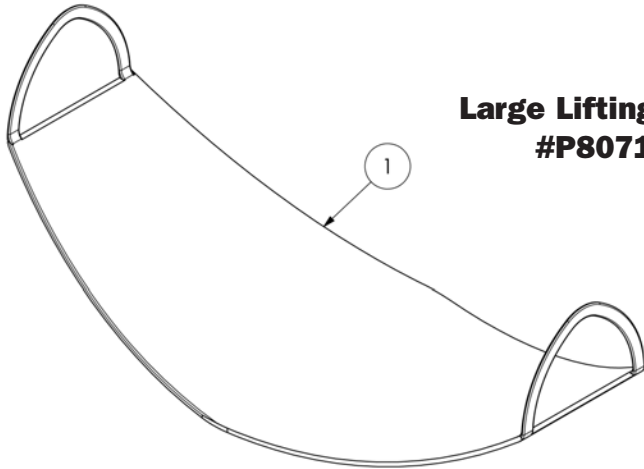
**Small Lifting Strap
#P80811**

ITEM NO.	PART NO.	QTY.	NAME
1	80811	1	LIFTING STRAP SMALL 2000



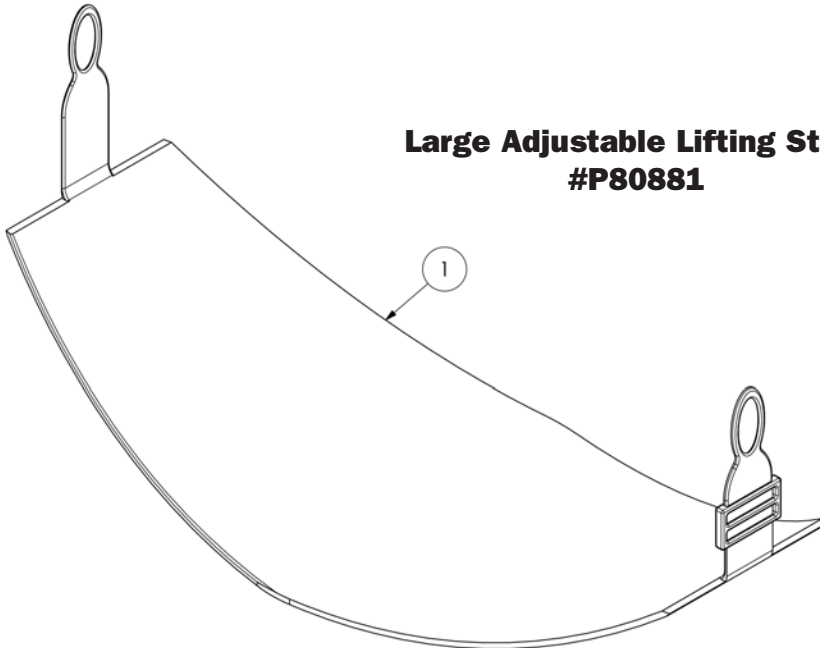
**Small Adjustable Lifting Strap
#P80882**

ITEM NO.	PART NO.	NAME
1	80882	ADJ LIFTING STRAP SMALL 2000



**Large Lifting Strap
#P80719**

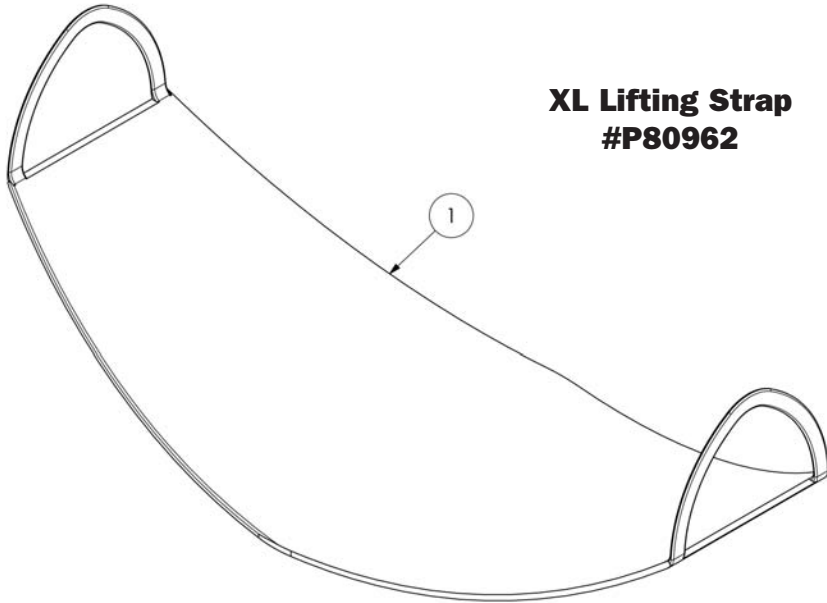
ITEM NO.	PART NO.	QTY.	NAME
1	80719	1	LIFTING STRAP LARGE 2000



**Large Adjustable Lifting Strap
#P80881**

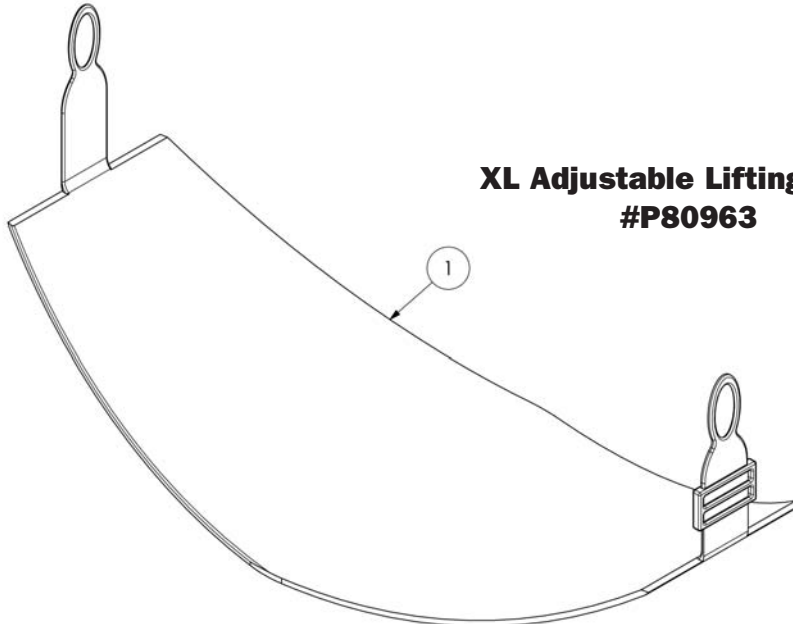
ITEM NO.	PART NO.	QTY.	NAME
1	80881	1	ADJ LIFTING STRAP LARGE 2000

**XL Lifting Strap
#P80962**



ITEM NO.	PART NO.	QTY.	NAME
1	80962	1	LIFTING STRAP EXTRA LARGE 2000

**XL Adjustable Lifting Strap
#P80963**



ITEM NO.	PART NO.	QTY.	NAME
1	80963	1	ADJ LIFTING STRAP EXTRA LARGE 2000

EasyStand[®] StrapStand[™] Specifications

EasyStand StrapStand		
Height Range	5'0"-6'5"	152-198cm
Weight Limit	350 lbs.	159kg
Strap Size (large)	12"x28"	30x71cm
Strap Size (small)	9"x26"	23x66cm
Kneepad Height Range		
-from footplate	14.5"-19.5"	37-50cm
Kneepad Depth Range		
-from back of heel	3.5"-6"	9-15cm
Kneepad Width		
-center to center	8.5"	22cm
Kneepad Size	9"-15.5"	23x39cm
Table/Frontpad Depth Range		
-from back of heel	3.5"-10.5"	9-27cm
Standard Table Height Range		
-from footplate	41"-50"	104-127cm
Inside Width		
-wheelchair access	22.75"	58cm
Standard Base Dimensions	31.5"x27.5"	80x70cm
Weight of Basic Unit	135lbs	61kg
Frame Color	Graphite Gray	39-76cm
Standard Upholstery Color	Graphite Gray	
Standard Table Size	19.5"x20"	50x51cm

Limited Warranty

This warranty is extended only to the original purchaser/customer (or supplier non consumer who does not buy or resell). Altimate Medical, Inc. (AMI) warrants the EasyStand StrapStand against defects in materials and workmanship as listed below.

- Steel Frames - 5 year warranty
- Hydraulic Actuator - 2 year warranty
- Upholstered components, plastic pads, rubber parts, painted surfaces, bearings and other parts not specifically identified above - 90 day warranty

The warranty period commences for the consumer on the purchase date from the seller/supplier. If the product is rented or otherwise not sold to a consumer, the warranty period commences from the date of invoice from AMI. Any product proven to AMI satisfaction to be defective and within warranty period, shall be repaired or replaced at AMI's option.

AMI'S SOLE OBLIGATION AND YOUR EXCLUSIVE REMEDY UNDER THIS WARRANTY SHALL BE LIMITED TO SUCH REPAIR AND/OR REPLACEMENT. This warranty does not include any labor charges incurred in replacement parts installation. Freight charges to factory are at the expense of consumer to seller. Return freight charges will be prepaid by AMI. For warranty service, please contact the authorized supplier from whom you purchased your AMI product. In the event you do not receive satisfactory warranty service, please write directly to AMI at the address below. Do not return products to our factory without prior authorization.

LIMITATIONS AND EXCLUSIONS: The foregoing warranty shall not apply to serial numbered products if the serial number has been removed or defaced. Products subject to negligence, abuse, misuse, improper operation, improper maintenance, improper storage, or damages beyond AMI's control are not covered by this warranty, and that evaluation will be solely determined by AMI. The warranty shall not apply to problems arising from failure to follow instructions. The warranty will be void if parts not manufactured by AMI or parts not complying with original equipment specifications are added to an AMI product.

THE FOREGOING WARRANTY IS EXCLUSIVE AND IN LIEU OF ALL OTHER EXPRESS WARRANTIES. AMI SHALL NOT BE LIABLE FOR ANY CONSEQUENTIAL OR INCIDENTAL DAMAGES WHATSOEVER.

AMI maintains a policy of continual product improvement and reserves the right to change features, specifications, and prices without prior notification. Check with AMI for latest information.

Altimate Medical, Inc., P.O. Box 180, 262 W. 1st St., Morton, MN 56270 USA
Phone: 507•697•6393 Fax: 507•697•6900 1 800•342•8968
www.easystand.com info@easystand.com
Revised March 2007

Environmental Issues

After life of the product:

- Recycle in accordance with the recycling codes of your country.
- Recycle all metal parts.
- Plastic parts should be disposed of or recycled according to the directive in your country.
- Please inquire at your local disposal management and recycling center for local codes.
- Return hydraulic actuator to Altimate Medical, Inc.

AltimateMedical

P.O. Box 180
262 West 1st St
Morton, MN 56270

Toll Free: 800.342.8968 or 507.697.6393
Fax Free: 877.342.8968 or 507.697.6900
email: info@easystand.com
www.easystand.com



Standing technology should only be used under the guidance of a physician with recommendations for standing program protocol and any medical precautions. Standing programs should be monitored by the attending therapist. AMI maintains a policy of continual product improvement and reserves the right to change features, specifications, and prices without prior notification. Check with AMI for latest info.
FORM ESSMAN 0307 Copyright © 2007 Altimate Medical, Inc. All rights reserved. Printed in the U.S.A.