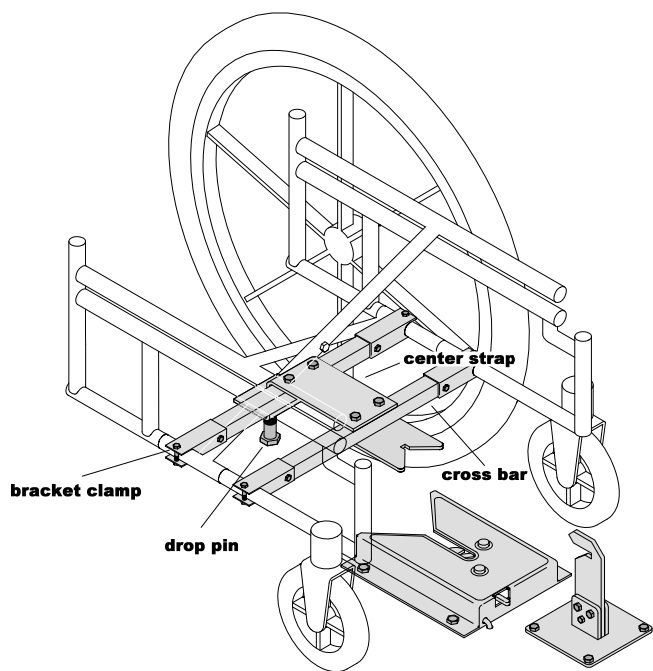


## EZ Lock Interface Brackets for Manual Wheelchairs

Interface brackets are available for many different manual wheelchairs with round tubing, providing certain measurements are taken. The wheelchair must not be what is commonly referred to as a "sports" wheelchair (i.e. low backrest, one-piece footrest, no lower frame-rail). There must be a minimum of 3 inches clearance beneath entire length of the wheelchair.

To determine the appropriate bracket: measure the outside tubing diameter (usually 1 inch or  $\frac{7}{8}$  inch) and the height of the lowest side frame-rail (horizontal; running front to back) from the floor. The standard kit is based on a 20 inch seat width and may need to be trimmed to size. For wheelchairs wider than 20 inches you must specify the width (24 inches is the maximum allowable).



**Components of the Typical Manual Wheelchair Bracket**

The typical manual interface bracket consists of two 1 inch square cross bars, one  $\frac{1}{4}$  inch steel center plate with, or without, a  $\frac{5}{8}$  inch welded insert for the drop pin assembly, and four bracket clamps. The drop pin assembly is a combination of the appropriate length  $\frac{5}{8}$  inch gr.8 bolt and one, or two  $\frac{5}{8}$  inch jam-nuts. Loctite™ 2760 or an equivalent thread locking agent should be applied to the drop pin assembly to prevent loosening. For most applications the drop pin will fall several inches forward of the drive axle, yet within the wheel radius. This placement will reduce the possibility of the drop pin dragging on obstacles such as door thresholds etc., by ensuring the pin will rise simultaneously when the wheels encounter the obstacle.

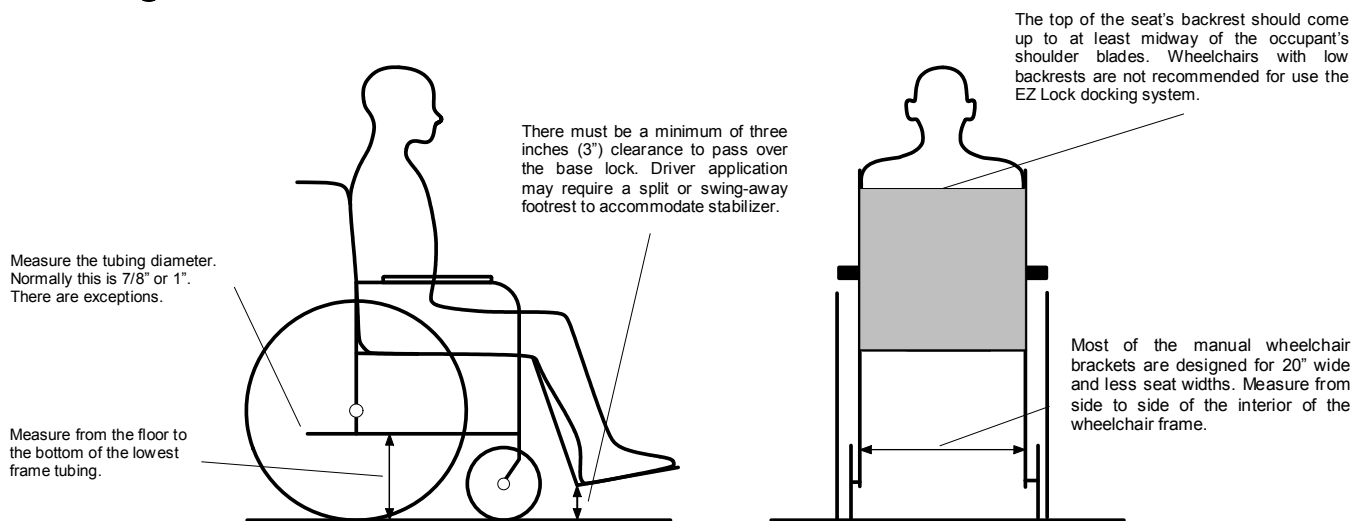
### Bracket Transfer

Transfer is only possible if both wheelchairs are specified to use the same interface bracket, and the bracket to be transferred is in good condition and not trimmed to an inappropriate size. The cross-bars must fit snugly between the frame-rails. The bracket clamps should be replaced (sold separately) and the appropriate size grade 8 fasteners must be used for attachment.

### Two Different Wheelchairs in the Same Docking Base

Only possible if the wheelchairs are identical or very similar. Users in driver applications should choose only one wheelchair to drive from in order to assure all driving controls are easily accessible. Drivers must utilize the front stabilizer STABL-VT without exception.

## Measuring the Wheelchair for the Manual Interface Bracket



Tubing Diameter \_\_\_\_\_

Inside Frame Width \_\_\_\_\_

Frame Height \_\_\_\_\_