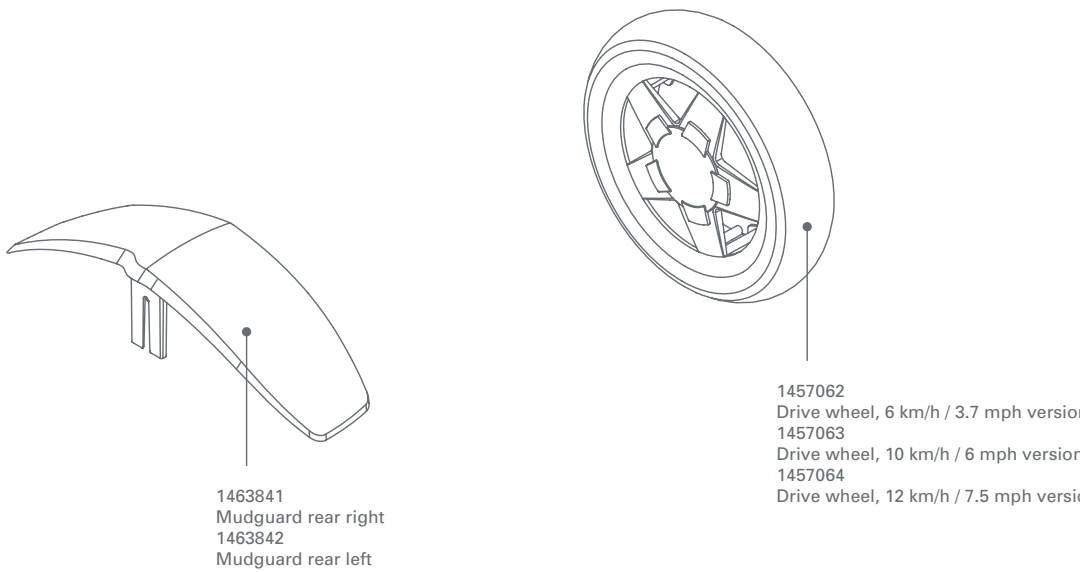
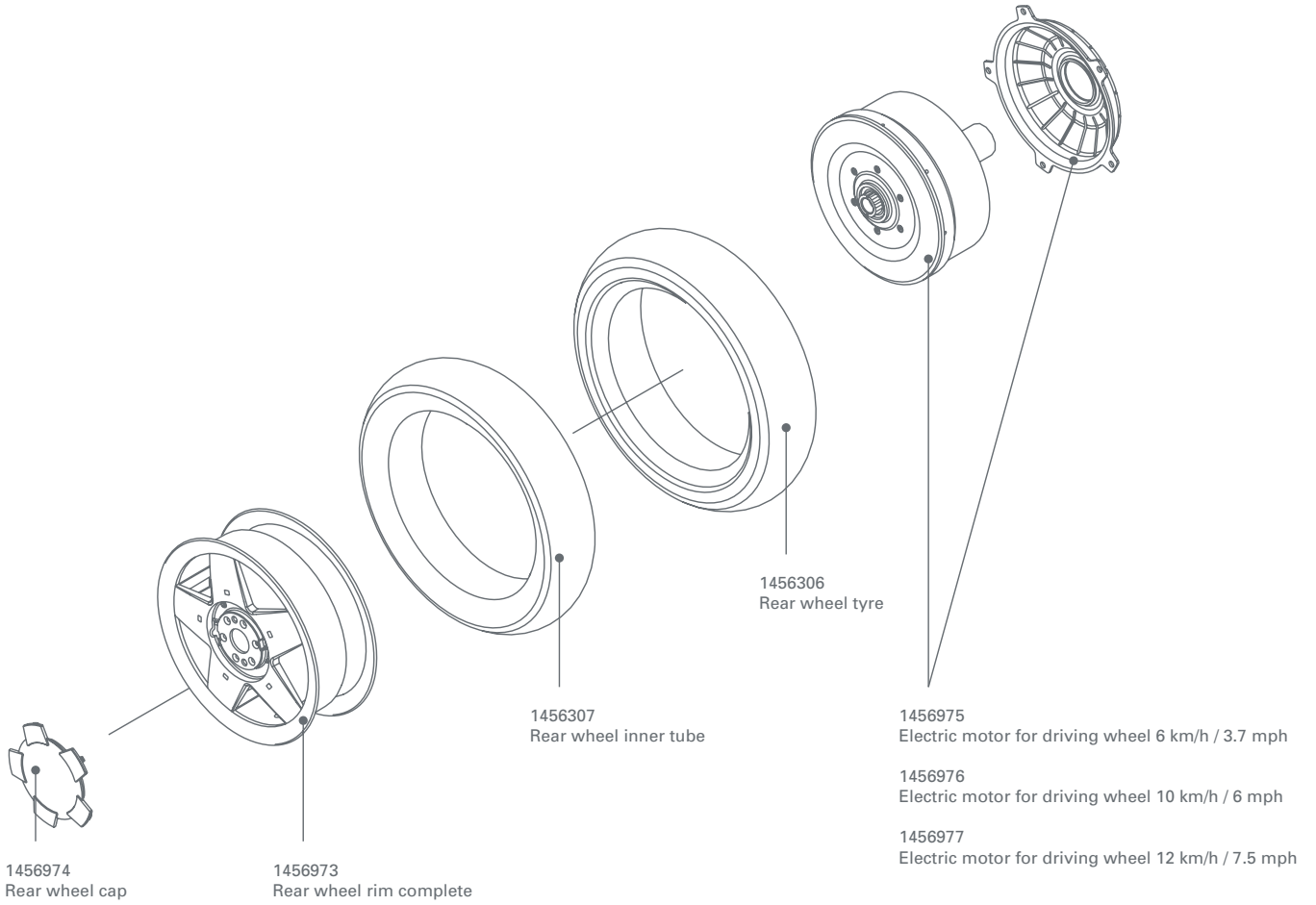


ADVENTURE

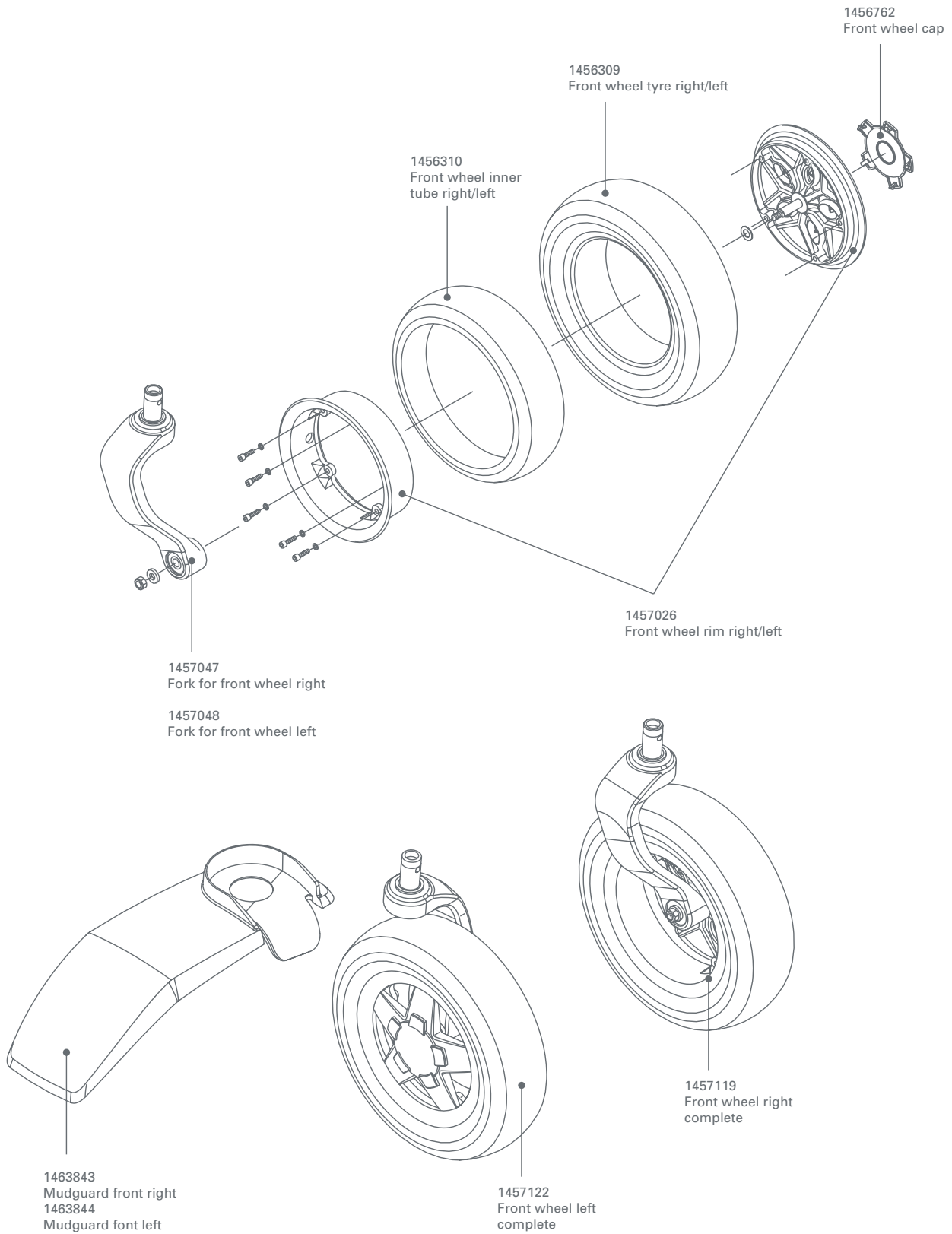


Drive wheel



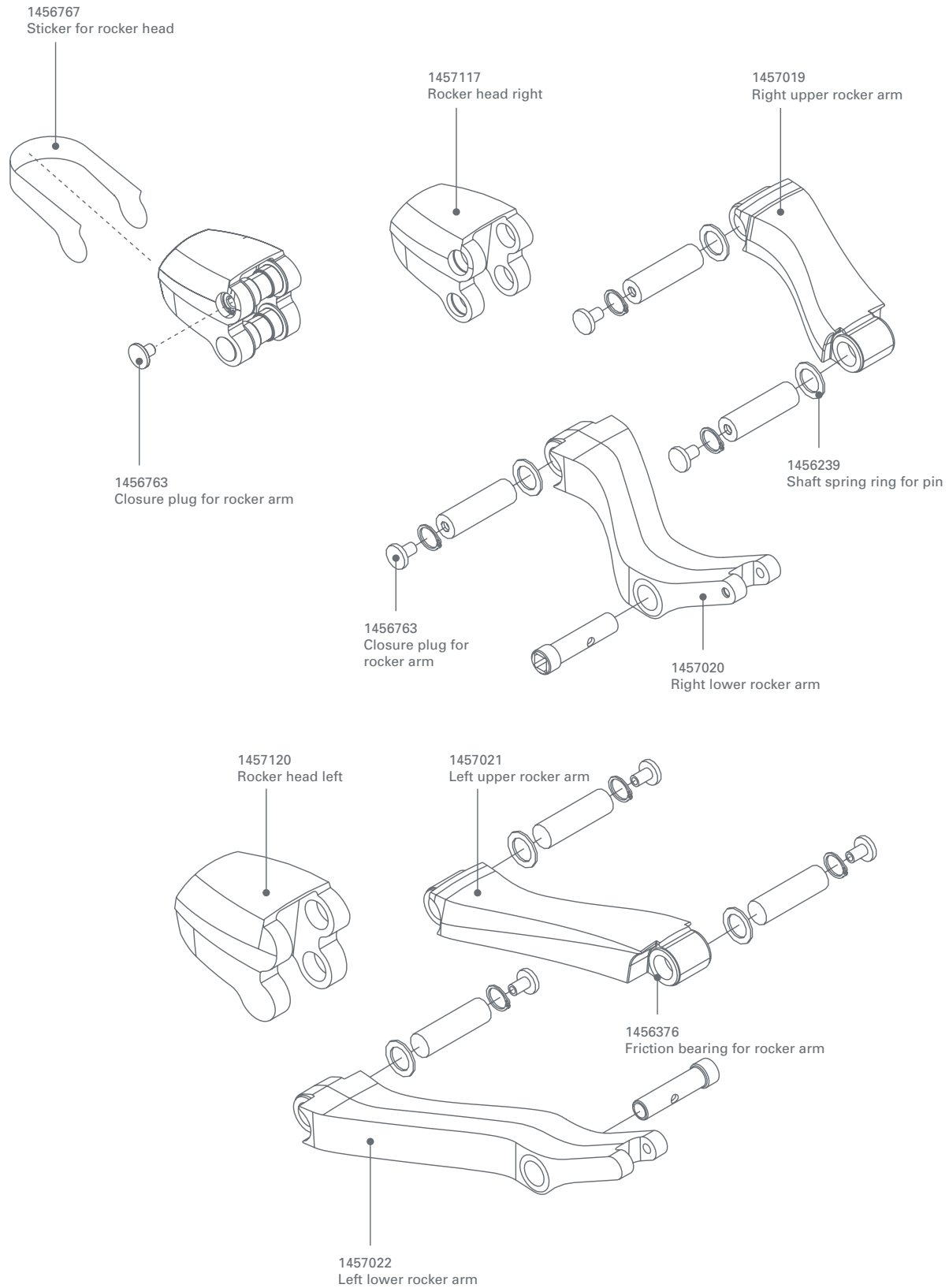


Chassis



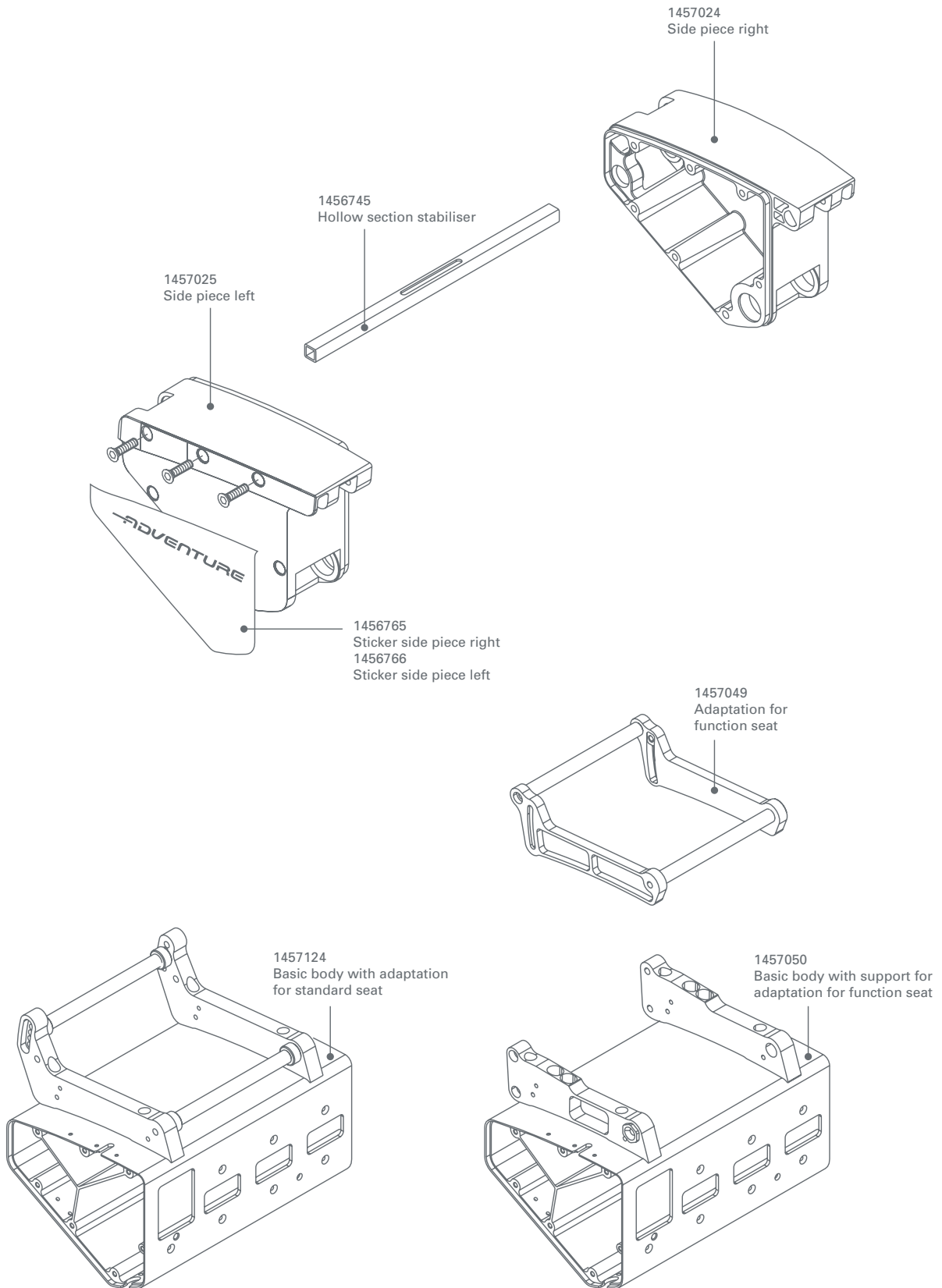


Chassis



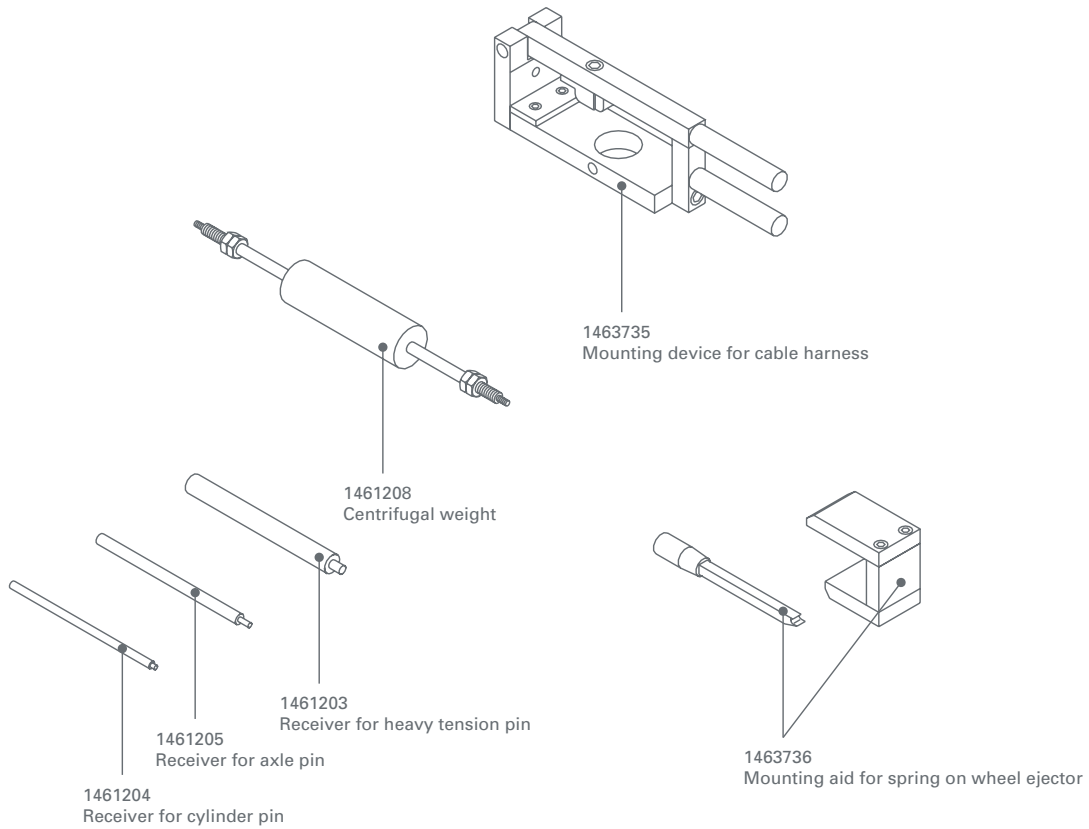
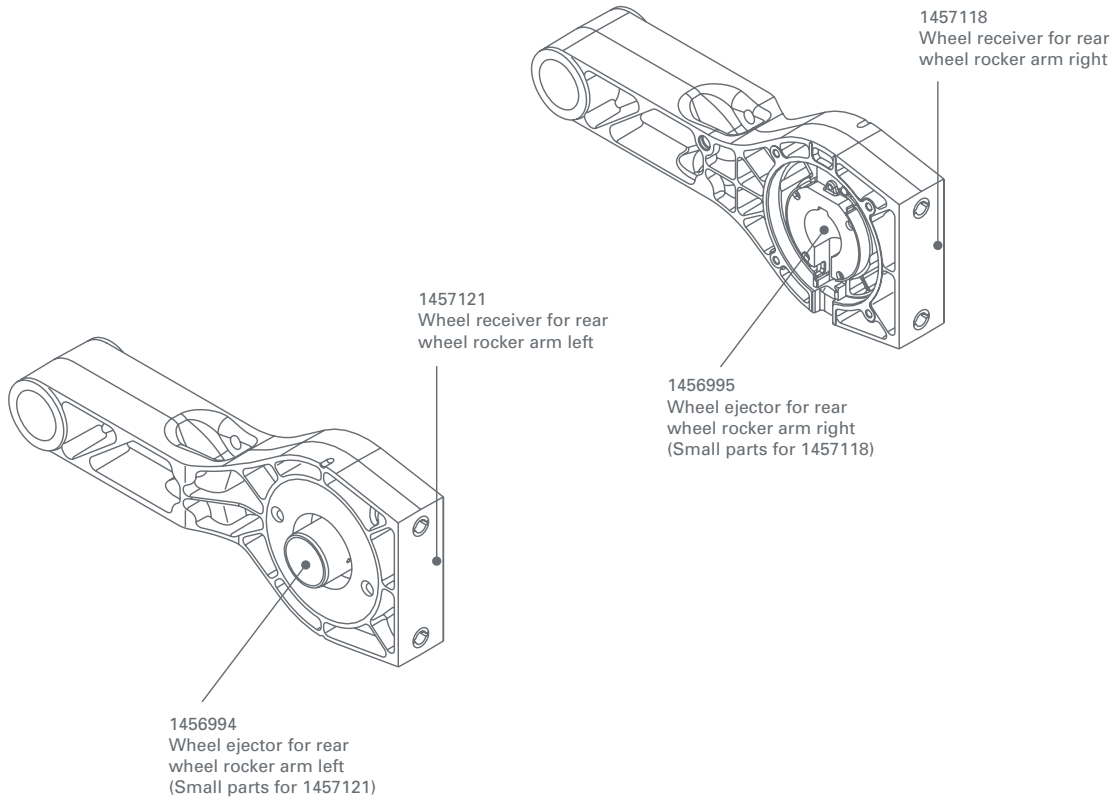


Basic body



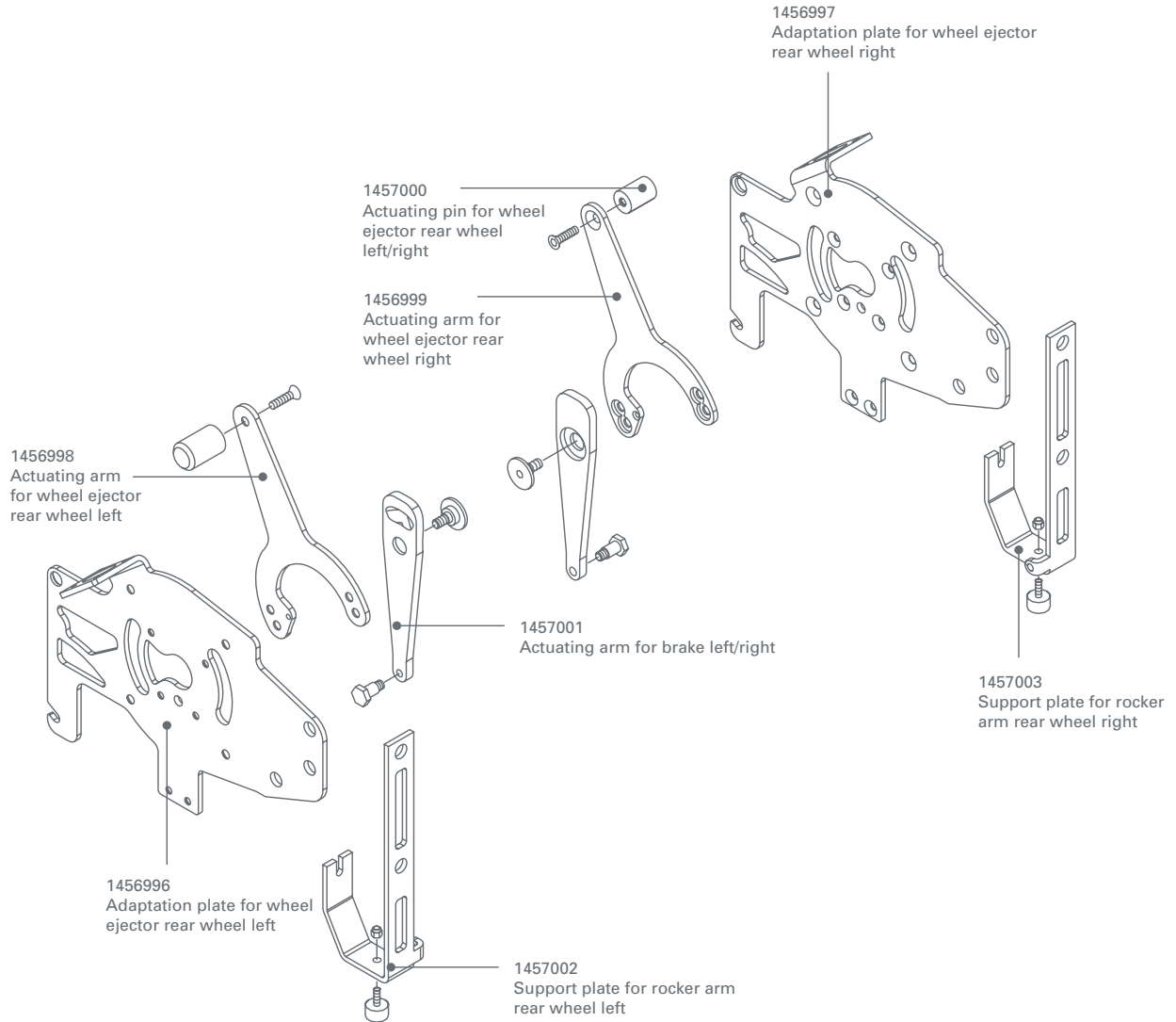


Drive wheel receiver



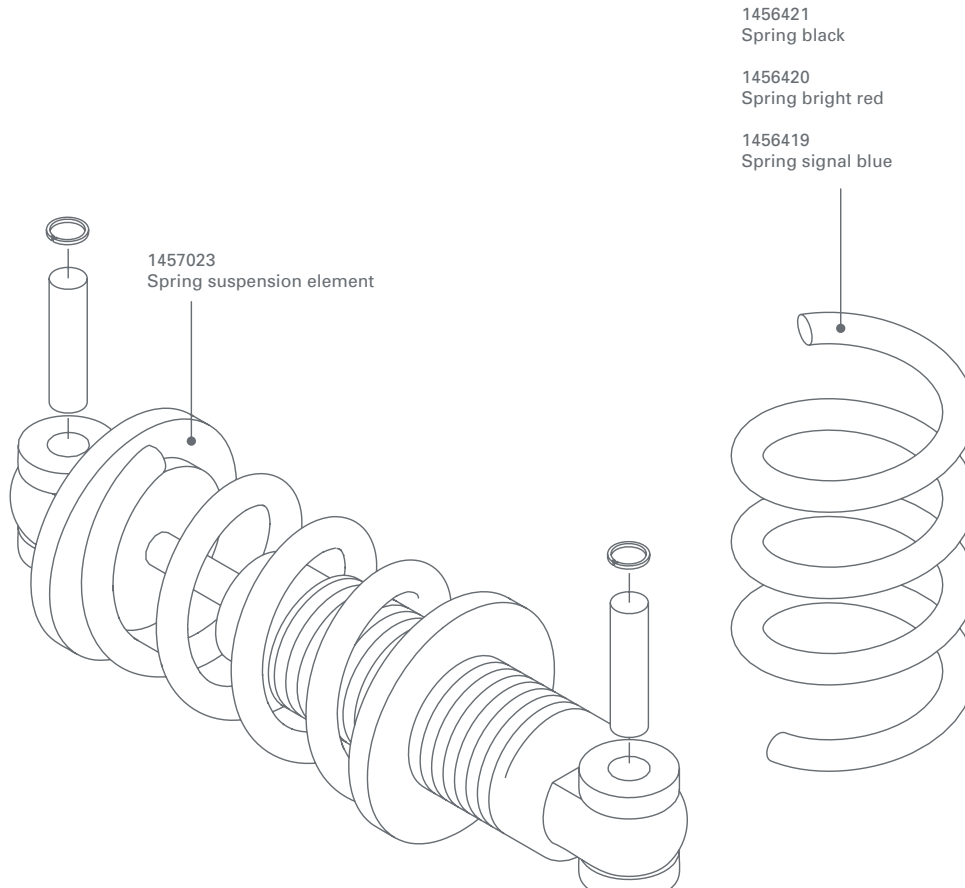


Drive wheel ejector



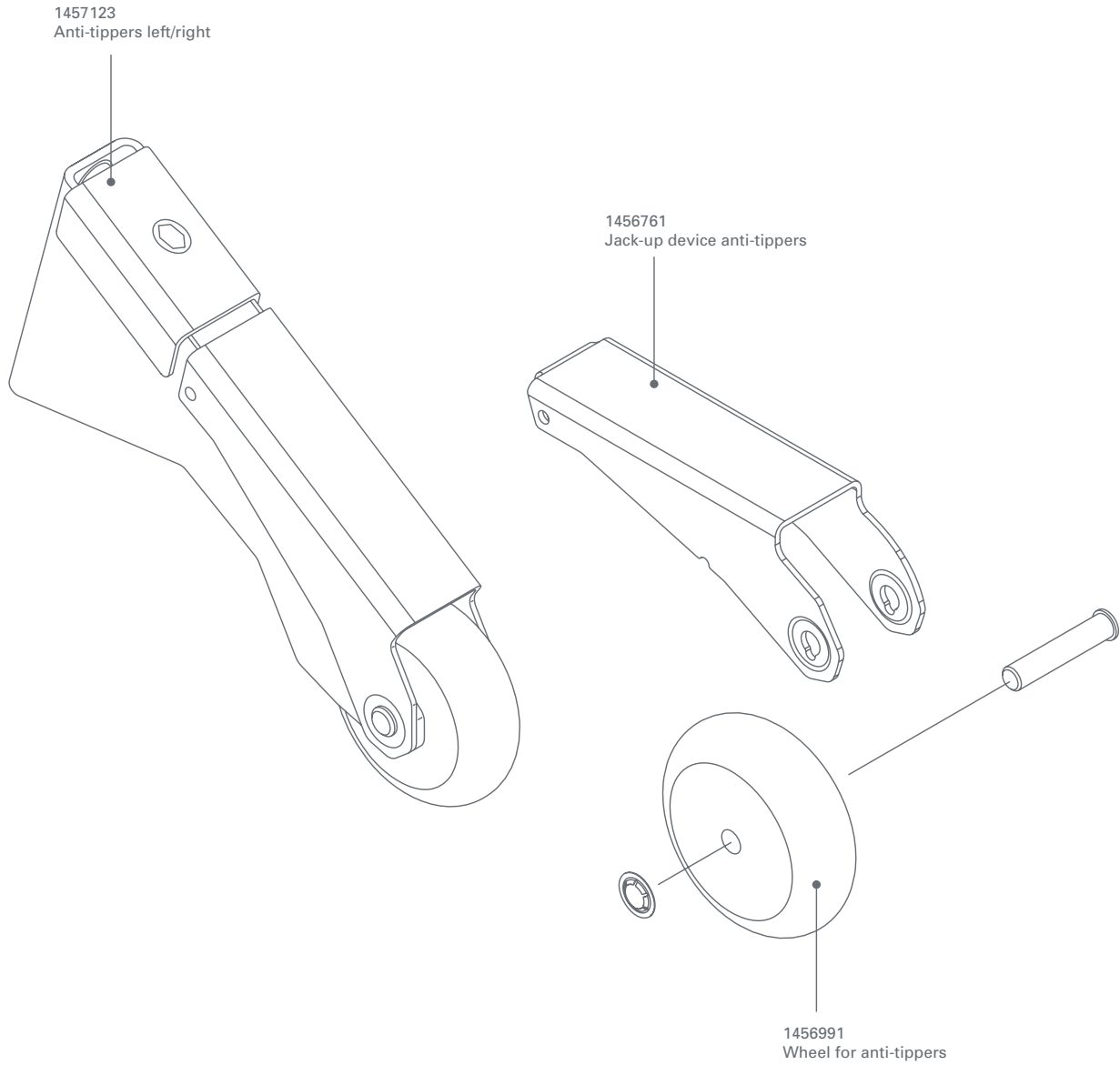


Spring suspension elements



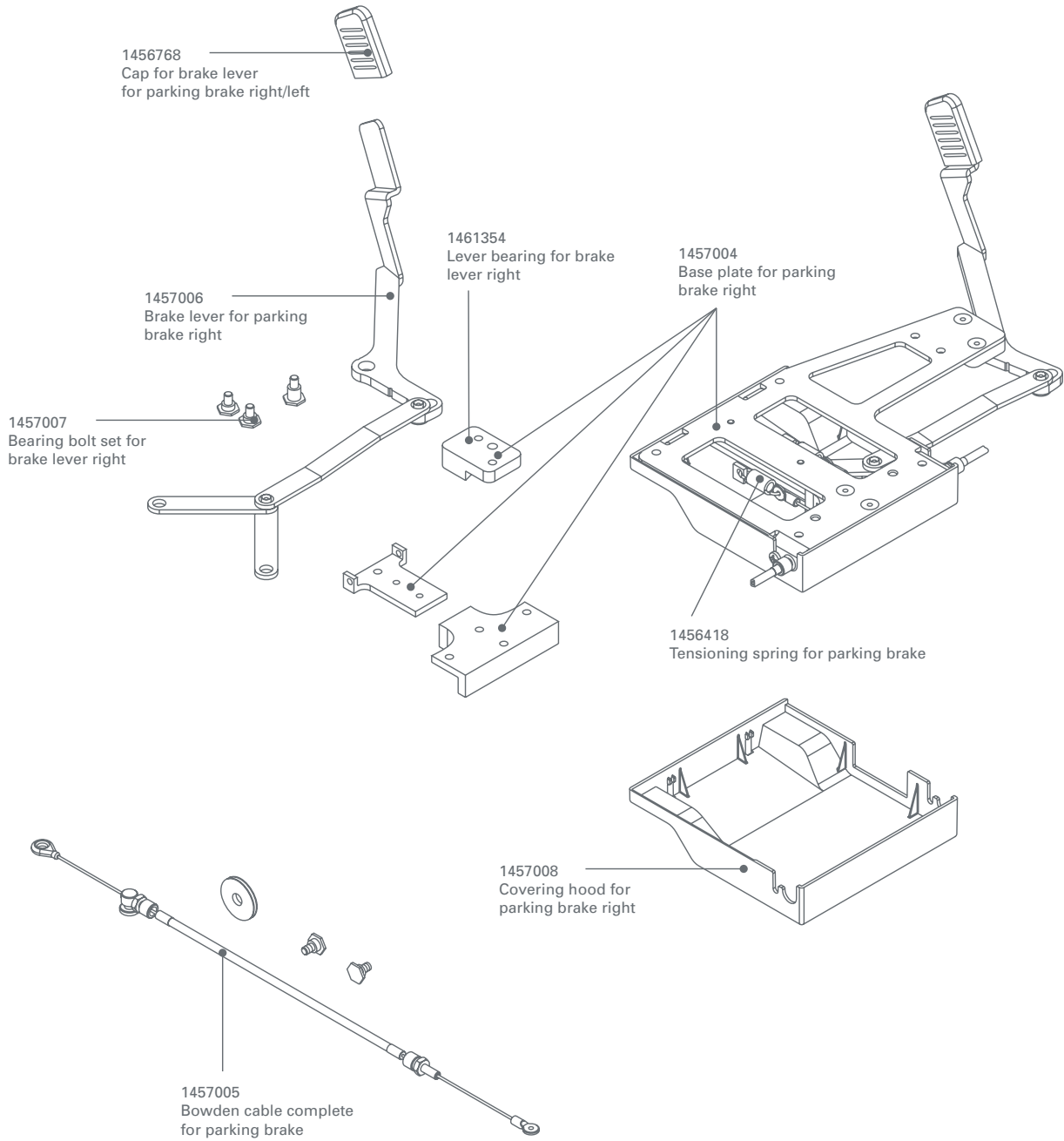


Anti-tippers





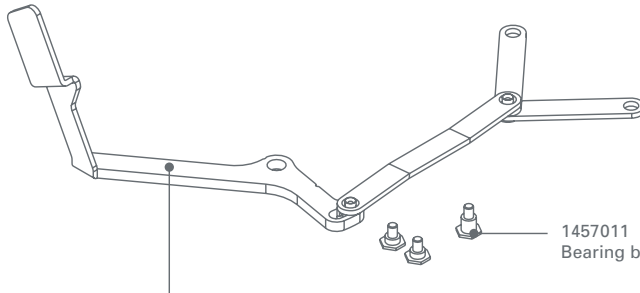
Parking brake





Parking brake

1456768
Cap for brake lever
for parking brake right/left

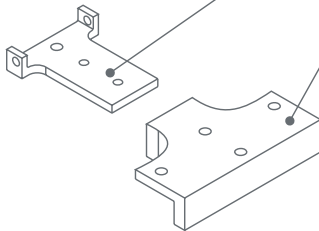


1457011
Bearing bolt set for brake lever left

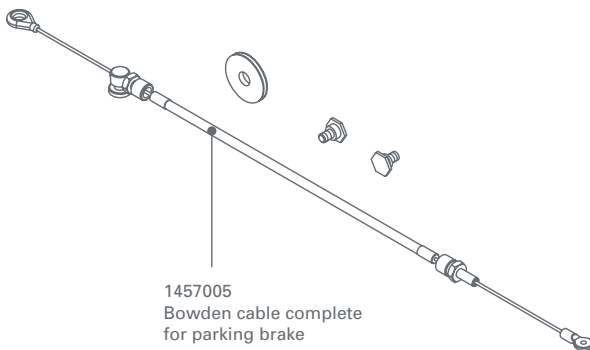
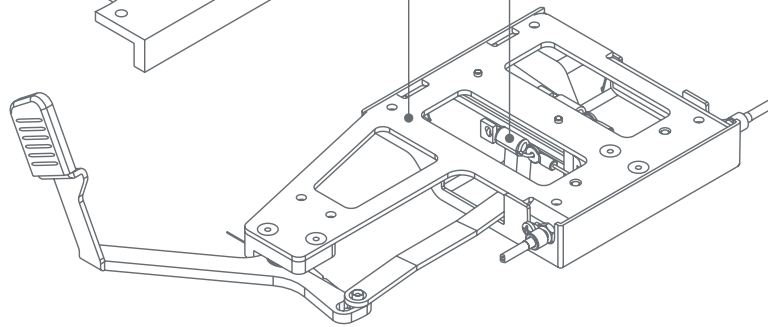
1457010
Brake lever for parking brake left

1457009
Base plate for parking
brake left

1461399
Lever bearing for brake lever left

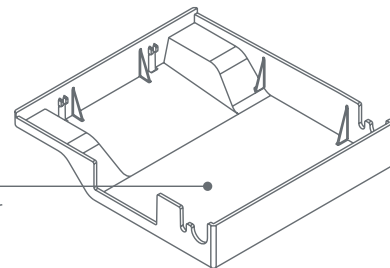


1456418
Tensioning spring for
parking brake



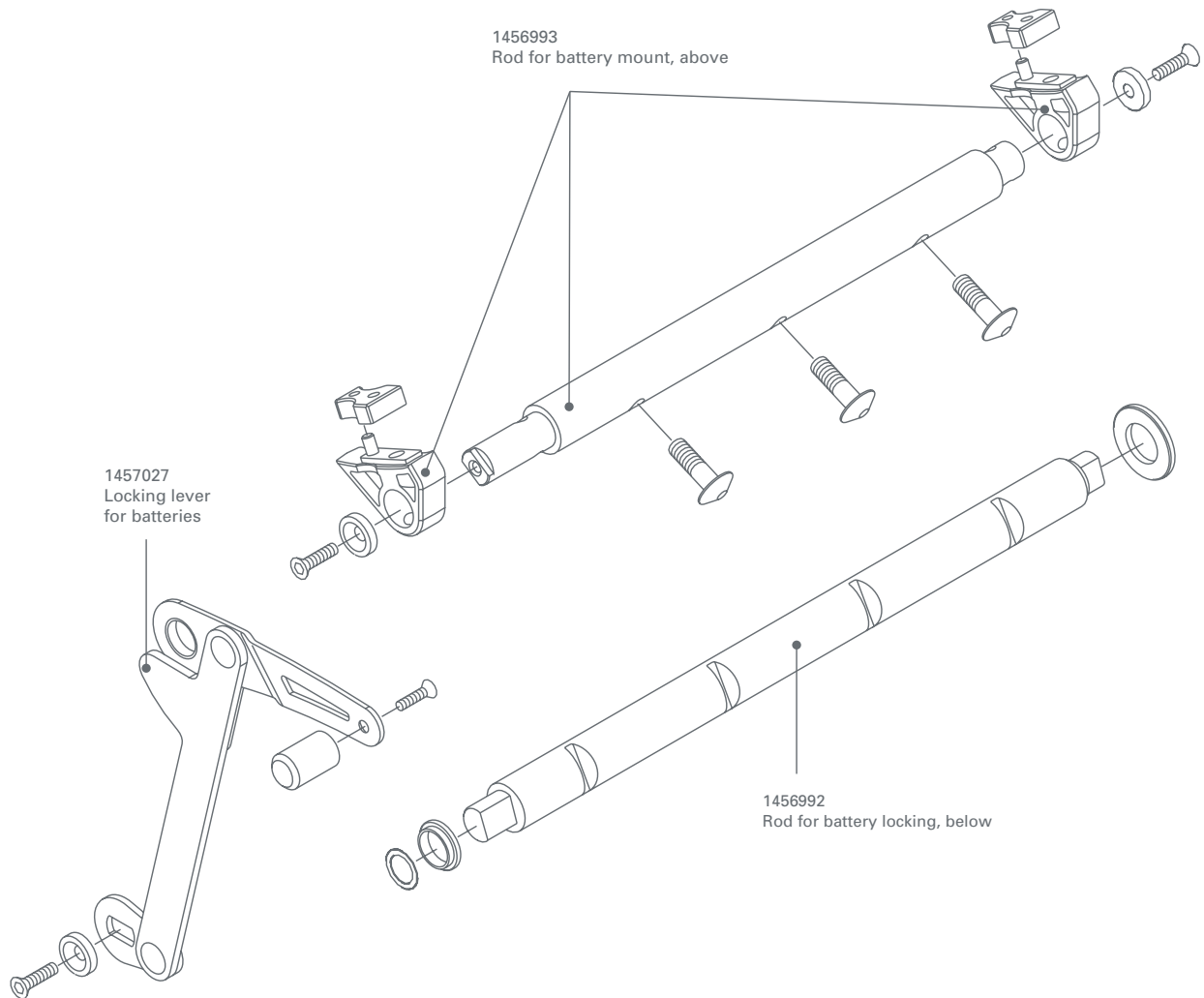
1457005
Bowden cable complete
for parking brake

1457012
Covering hood for
parking brake left





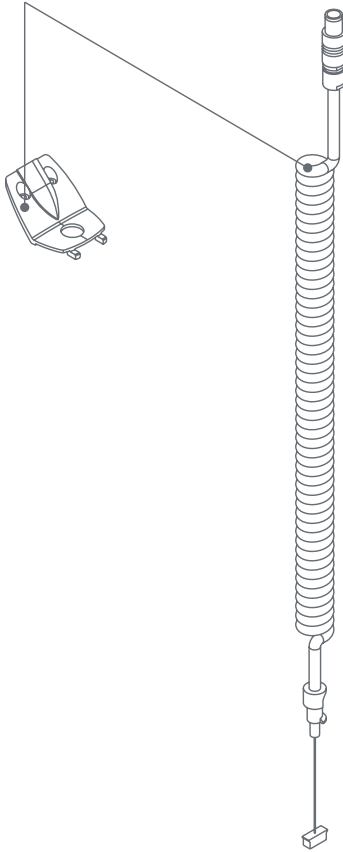
Battery mount





Control unit

1456979
Spiral cable and service window for control unit
on swivel arm

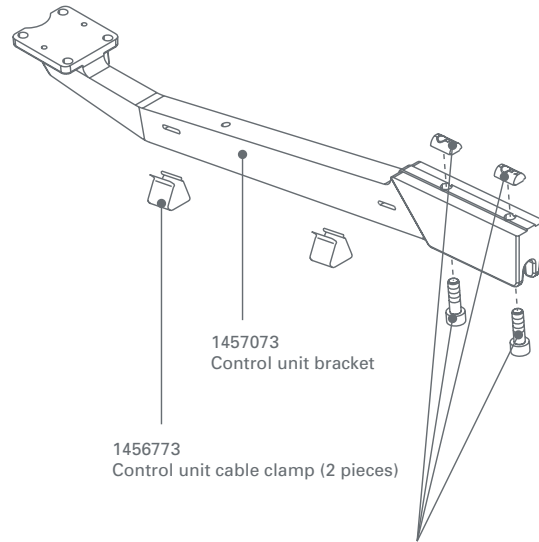
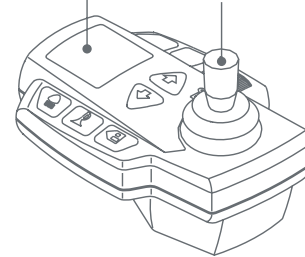


1463782
Long cable and service hatch for control unit
on tray table or for middle control



1457071
Control unit, without bracket

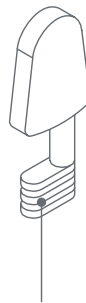
1464094
Joystick knob



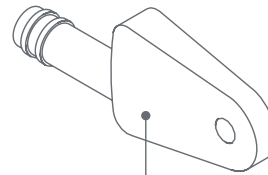
1457073
Control unit bracket

1456773
Control unit cable clamp (2 pieces)

1463783
Sliding blocks and screws for
control unit



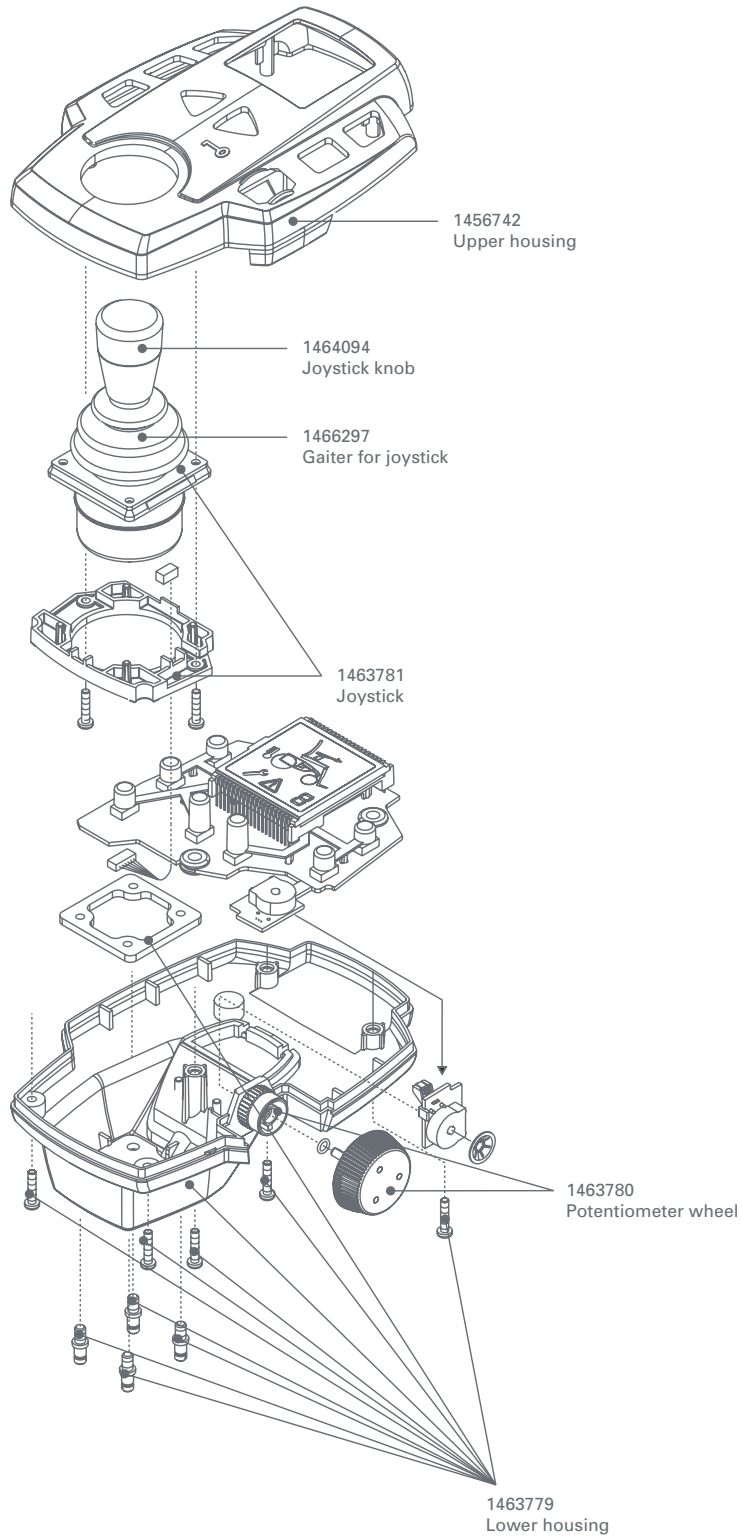
1456776
Anti-theft device key



1463763
Programming key

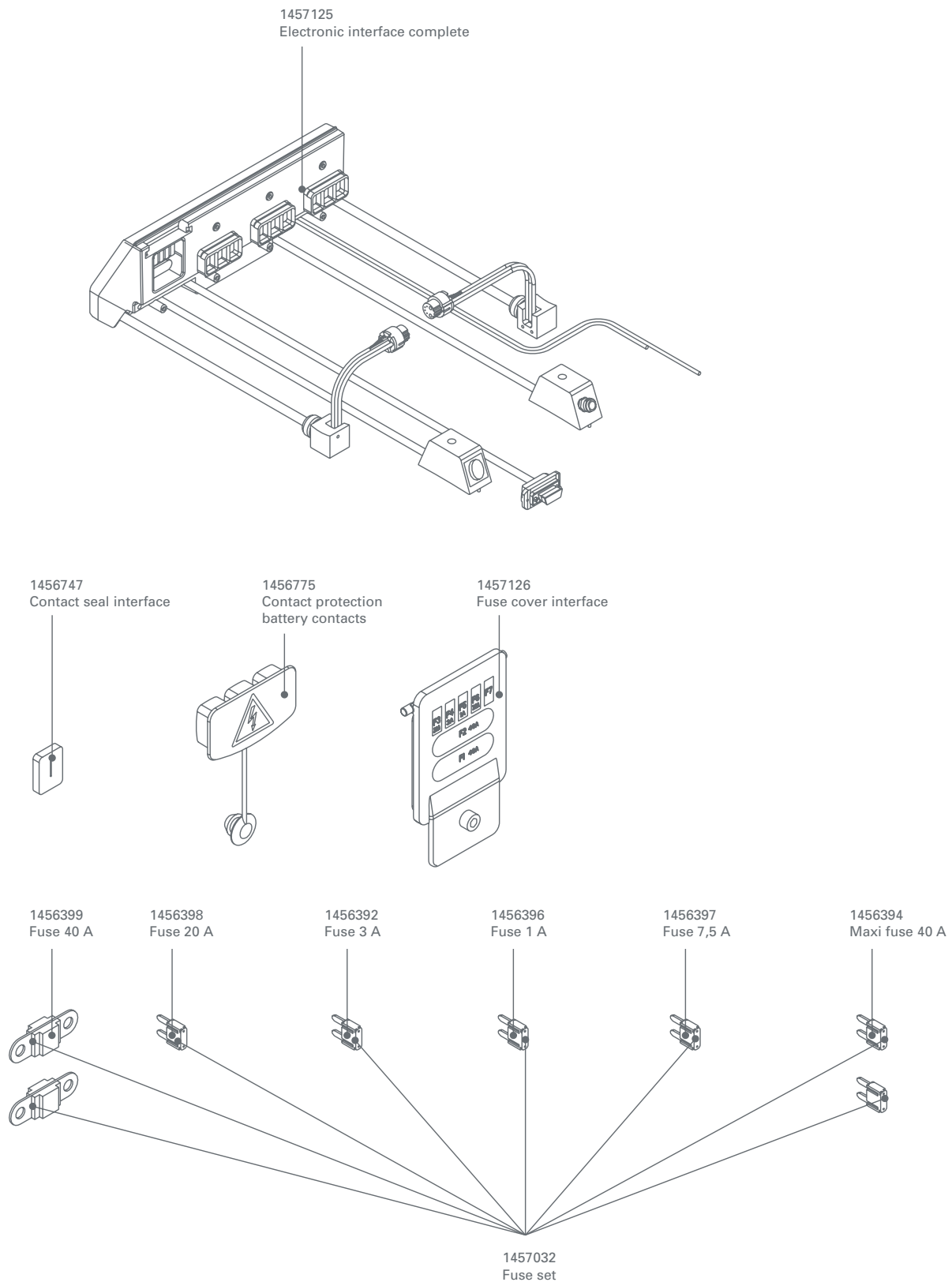


Control unit



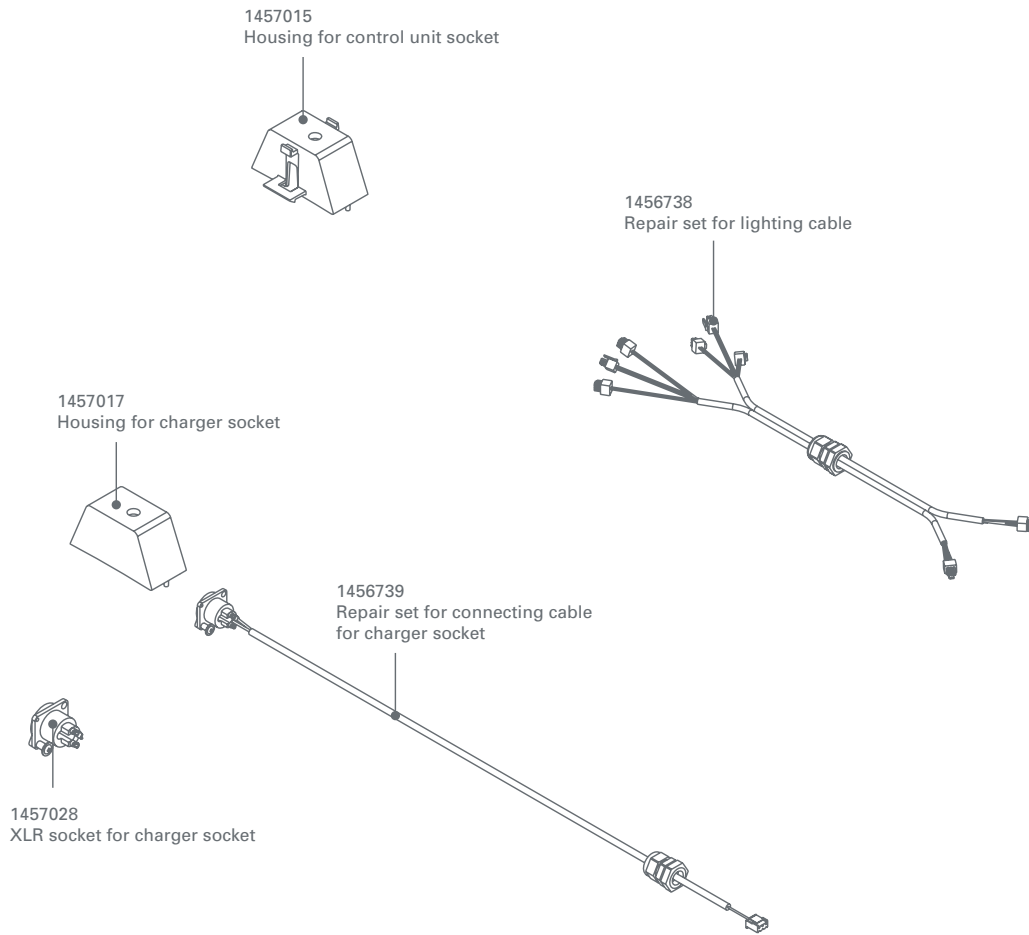


Electronic interface



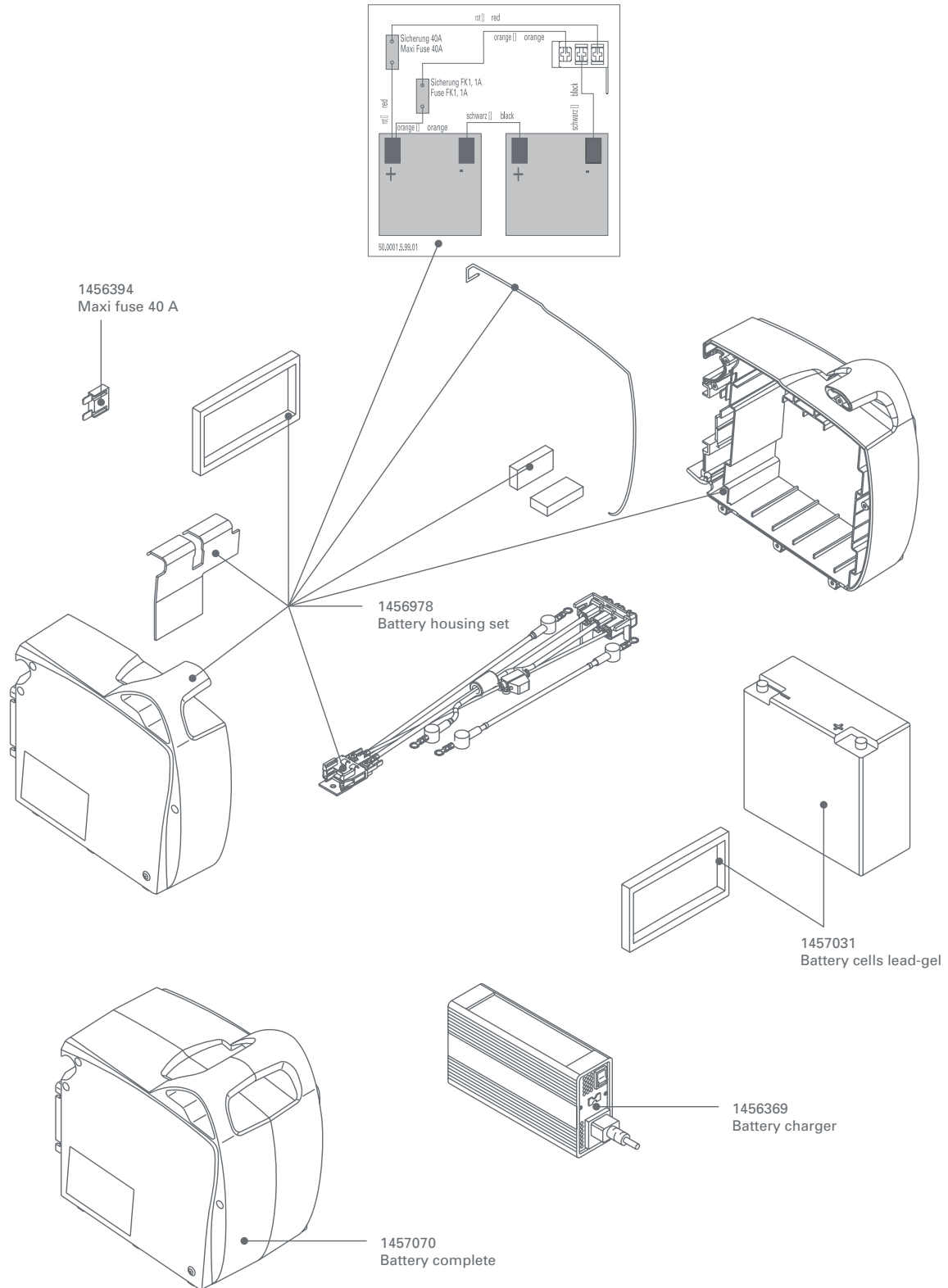


Electronic interface



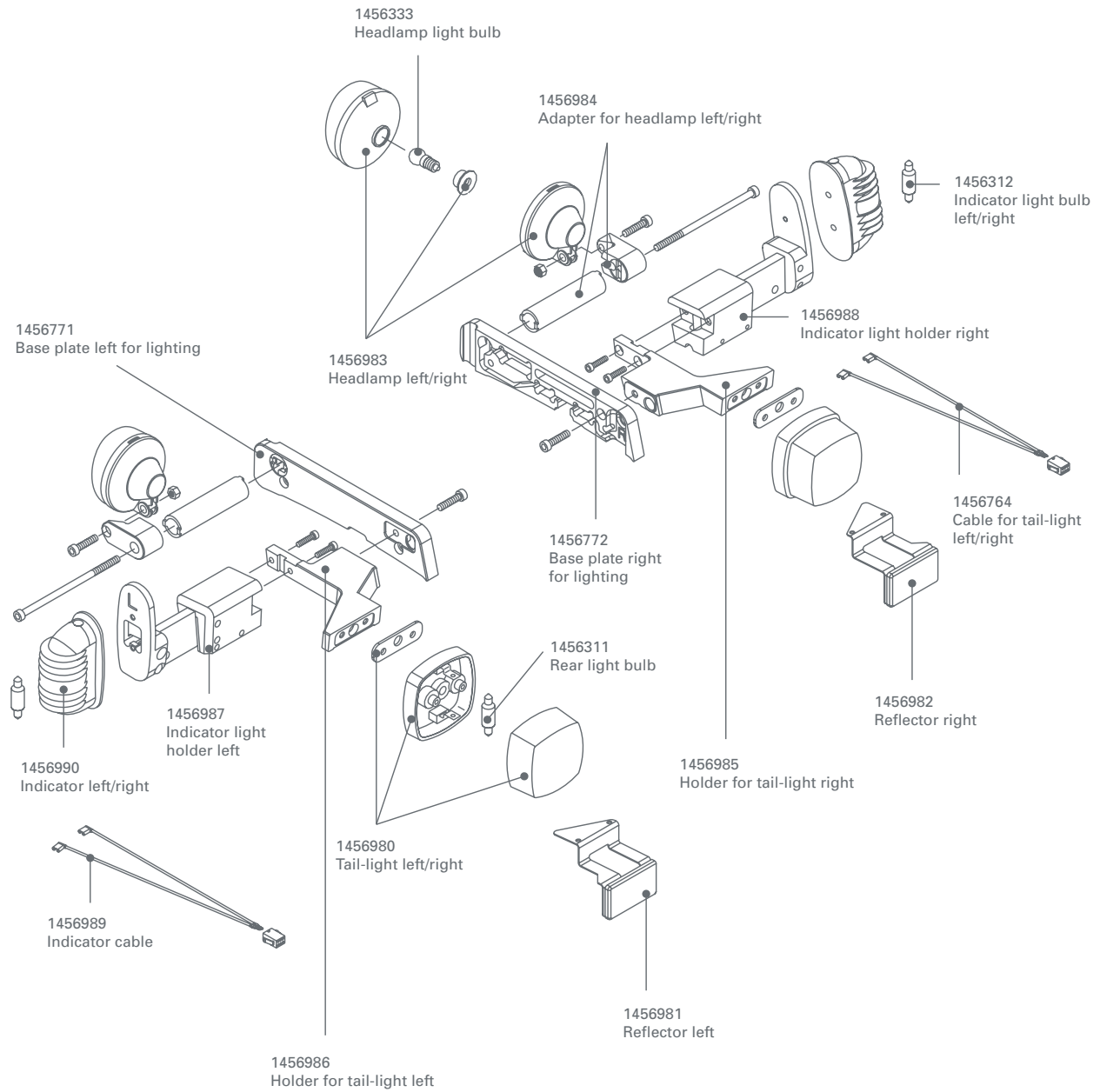


Battery



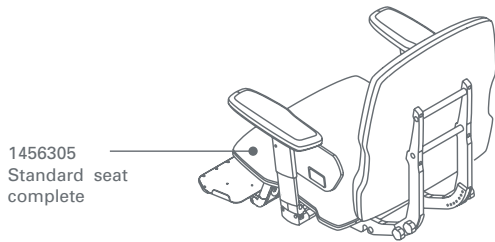


Lighting

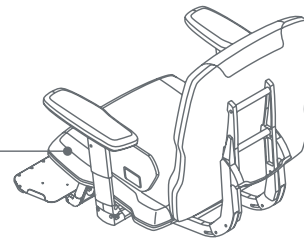




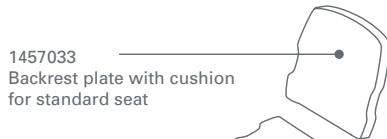
Seat



1456305
Standard seat complete



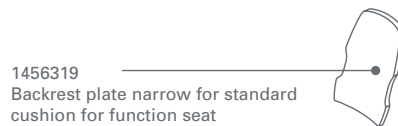
1456315
Function seat narrow with standard cushion
1456304
Function seat wide with standard cushion
1456314
Function seat narrow with contour cushion
1456303
Function seat wide with contour cushion



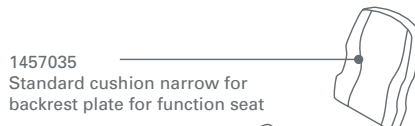
1457033
Backrest plate with cushion for standard seat



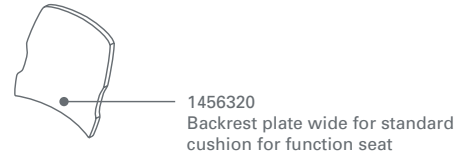
1457034
Seat plate with cushion for standard seat



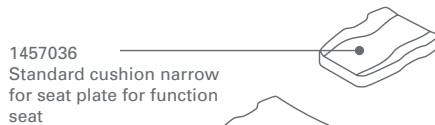
1456319
Backrest plate narrow for standard cushion for function seat



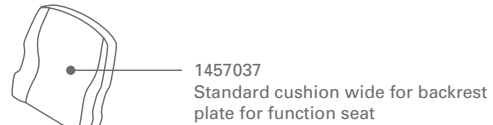
1457035
Standard cushion narrow for backrest plate for function seat



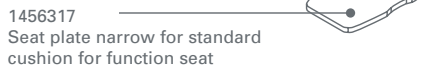
1456320
Backrest plate wide for standard cushion for function seat



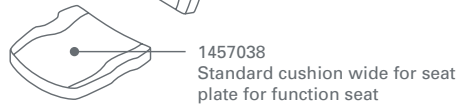
1457036
Standard cushion narrow for seat plate for function seat



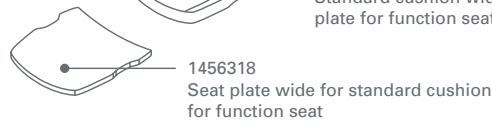
1457037
Standard cushion wide for backrest plate for function seat



1456317
Seat plate narrow for standard cushion for function seat



1457038
Standard cushion wide for seat plate for function seat



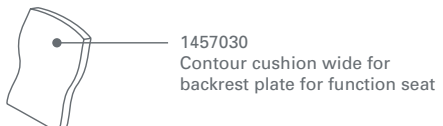
1456318
Seat plate wide for standard cushion for function seat



1457039
Contour cushion narrow for backrest plate for function seat



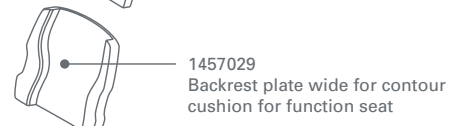
1457040
Backrest plate narrow for contour cushion for function seat



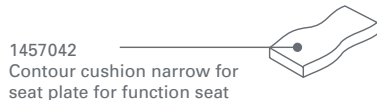
1457030
Contour cushion wide for backrest plate for function seat



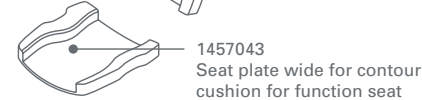
1457041
Seat plate narrow for contour cushion for function seat



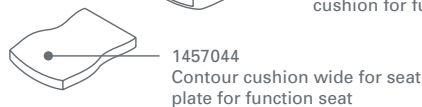
1457029
Backrest plate wide for contour cushion for function seat



1457042
Contour cushion narrow for seat plate for function seat



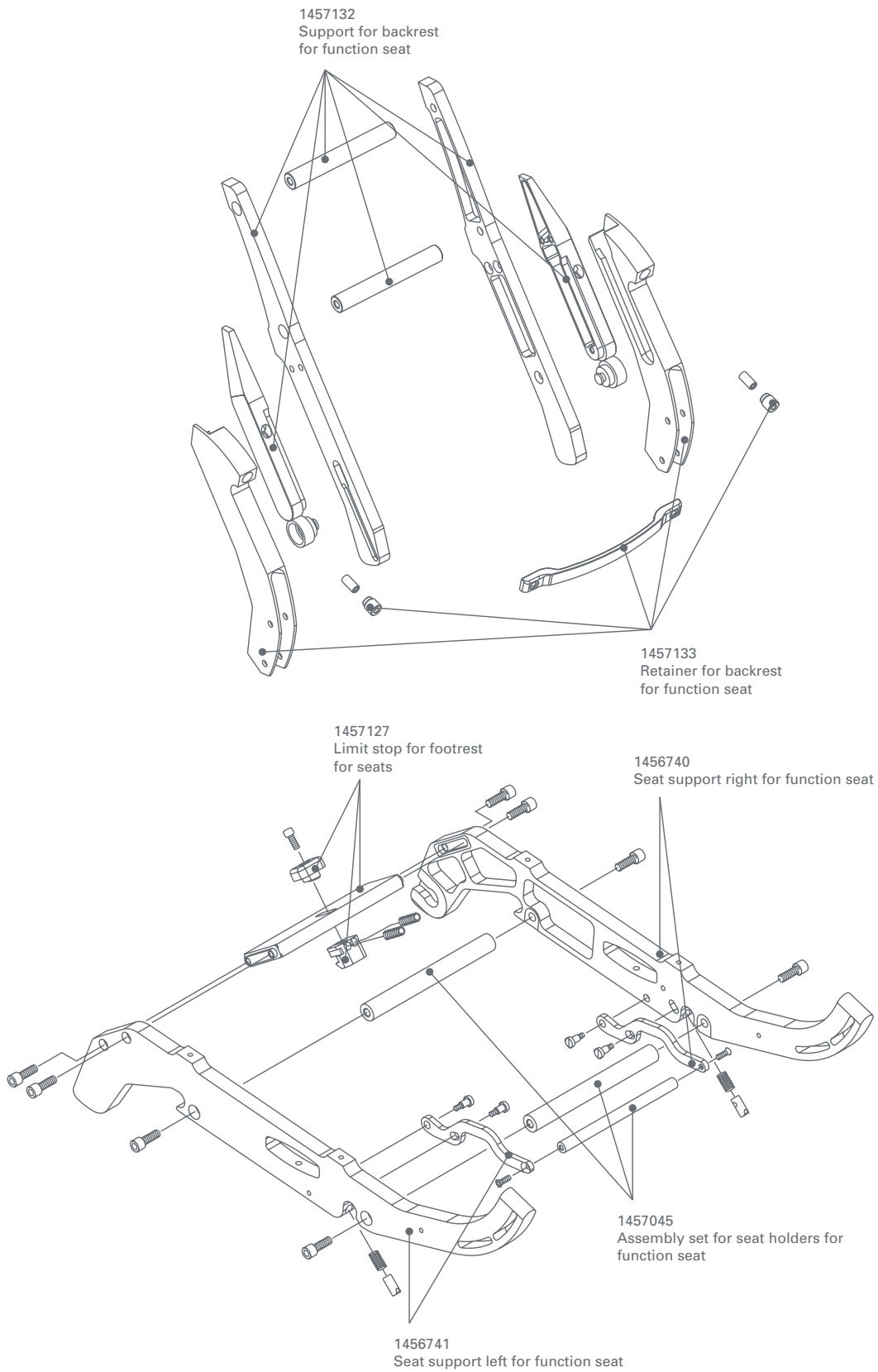
1457043
Seat plate wide for contour cushion for function seat



1457044
Contour cushion wide for seat plate for function seat

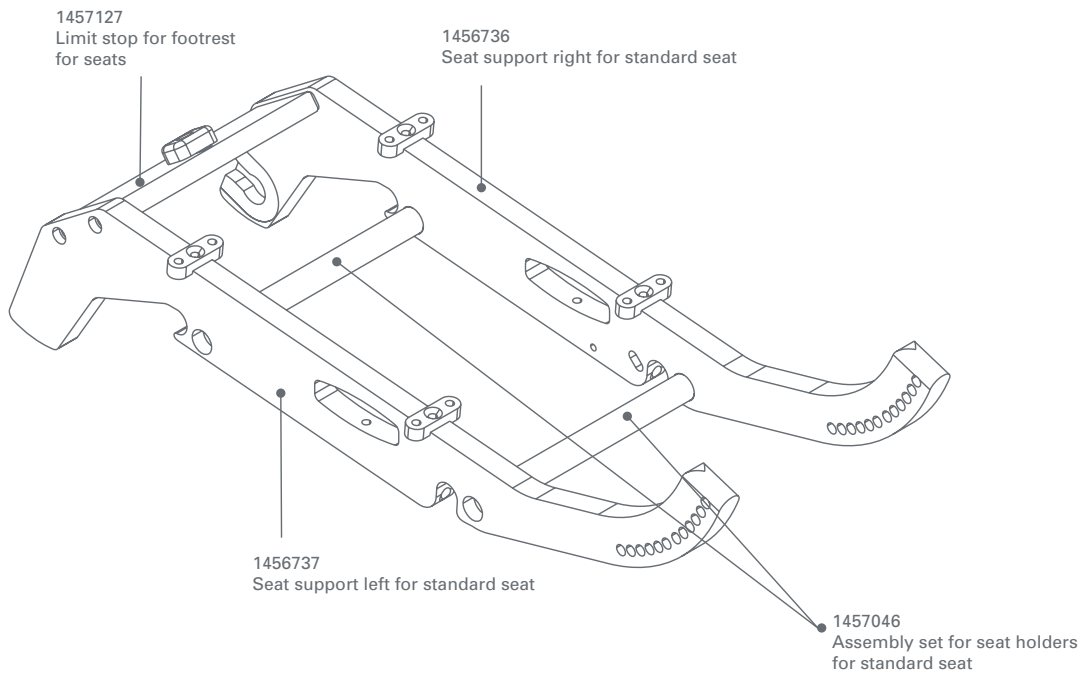
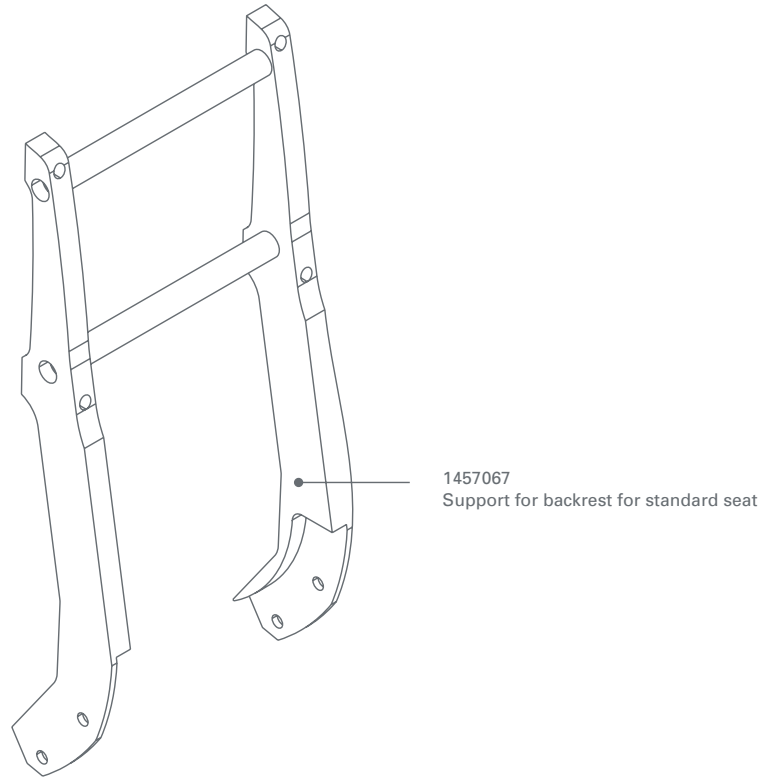


Seat



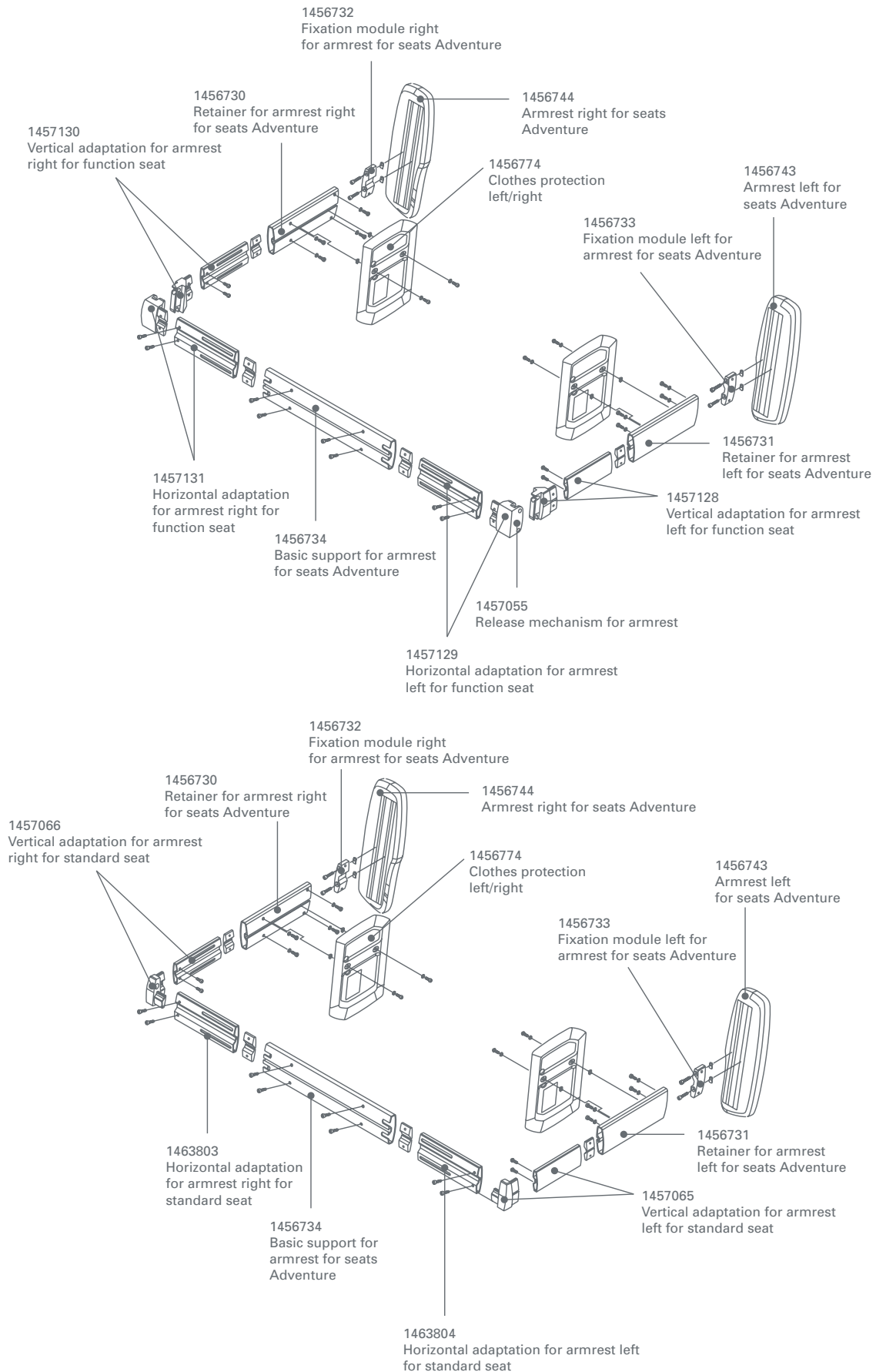


Seat



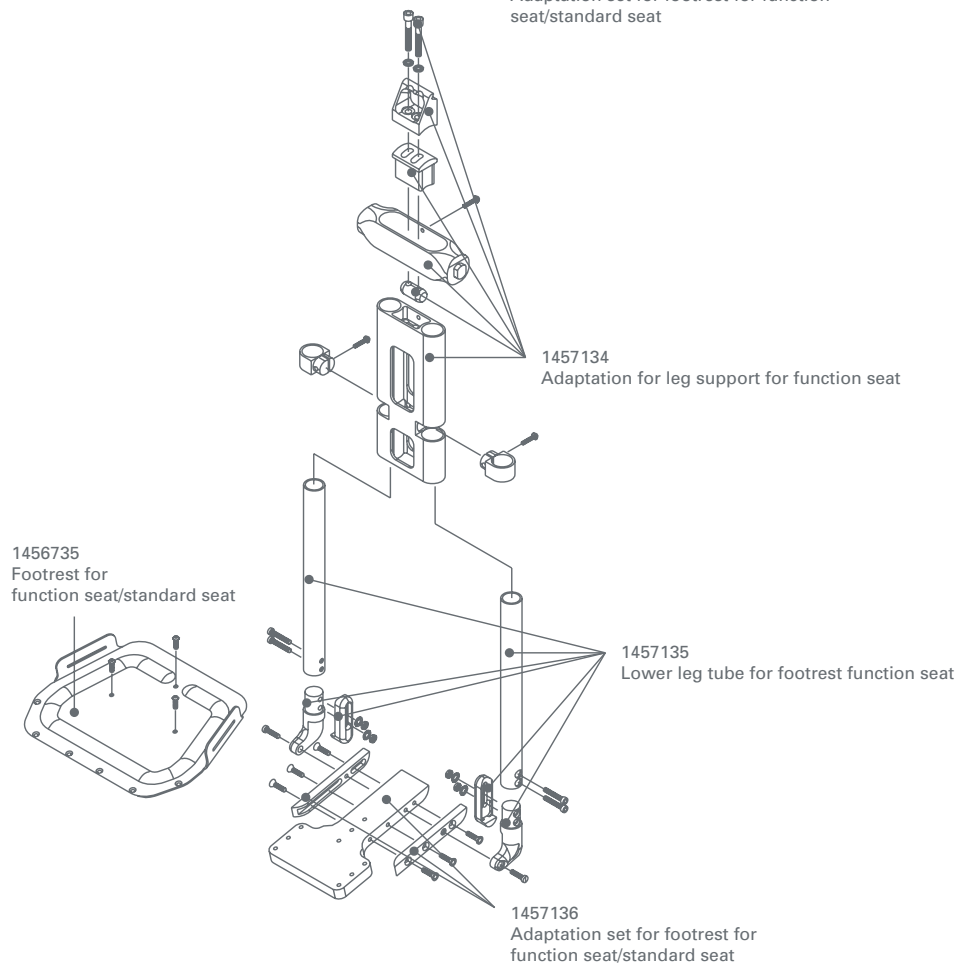
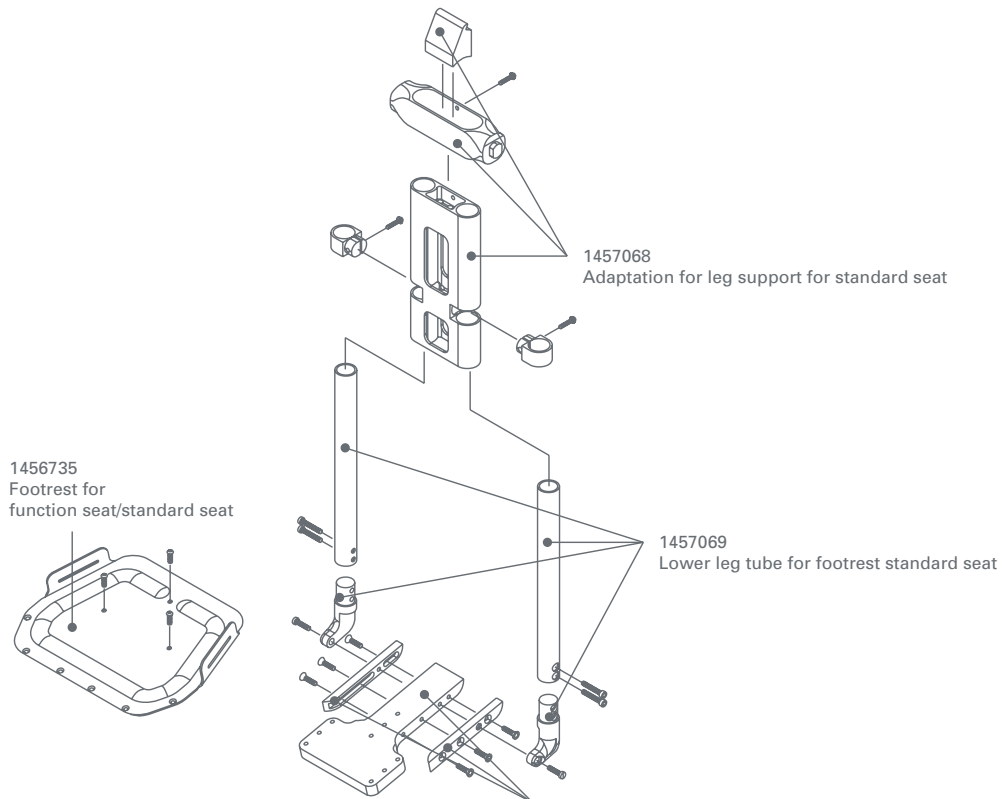


Seat



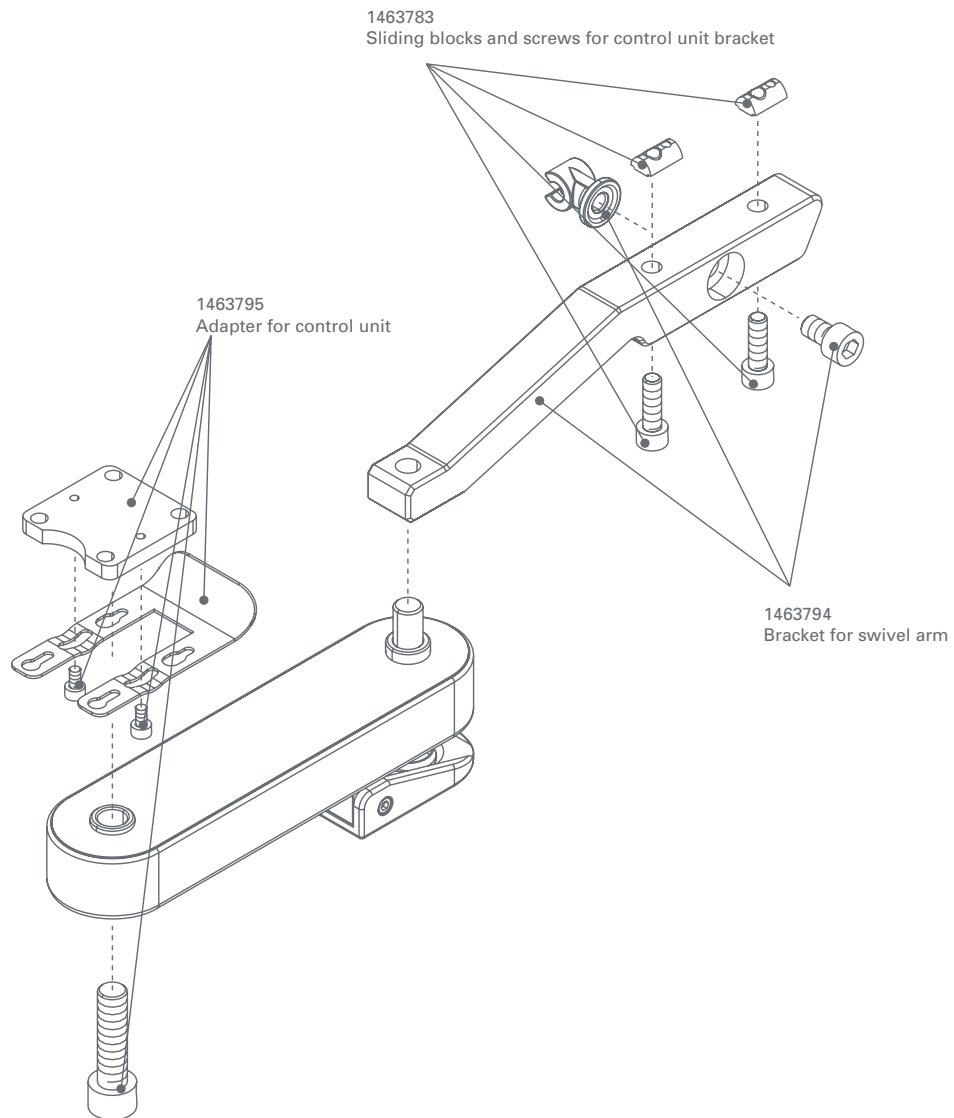


Seat



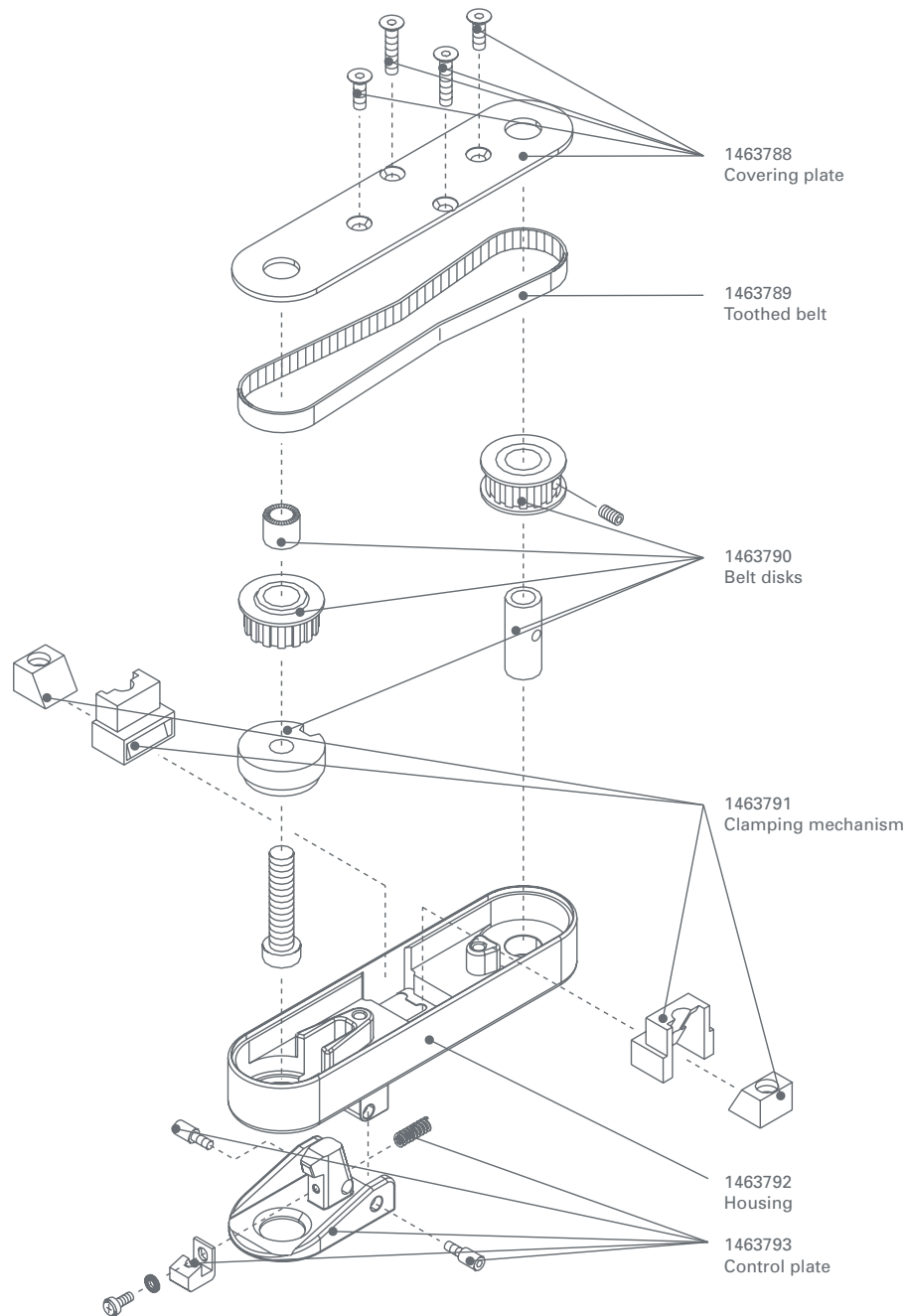


Swivel arm



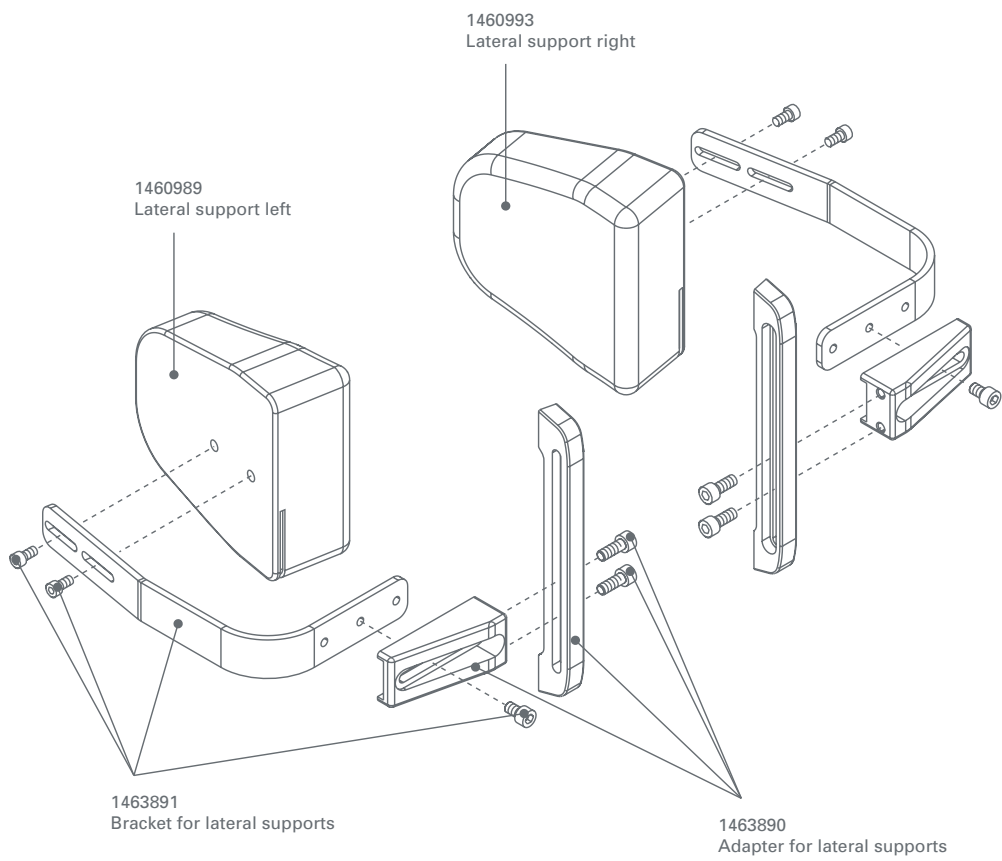


Swivel arm



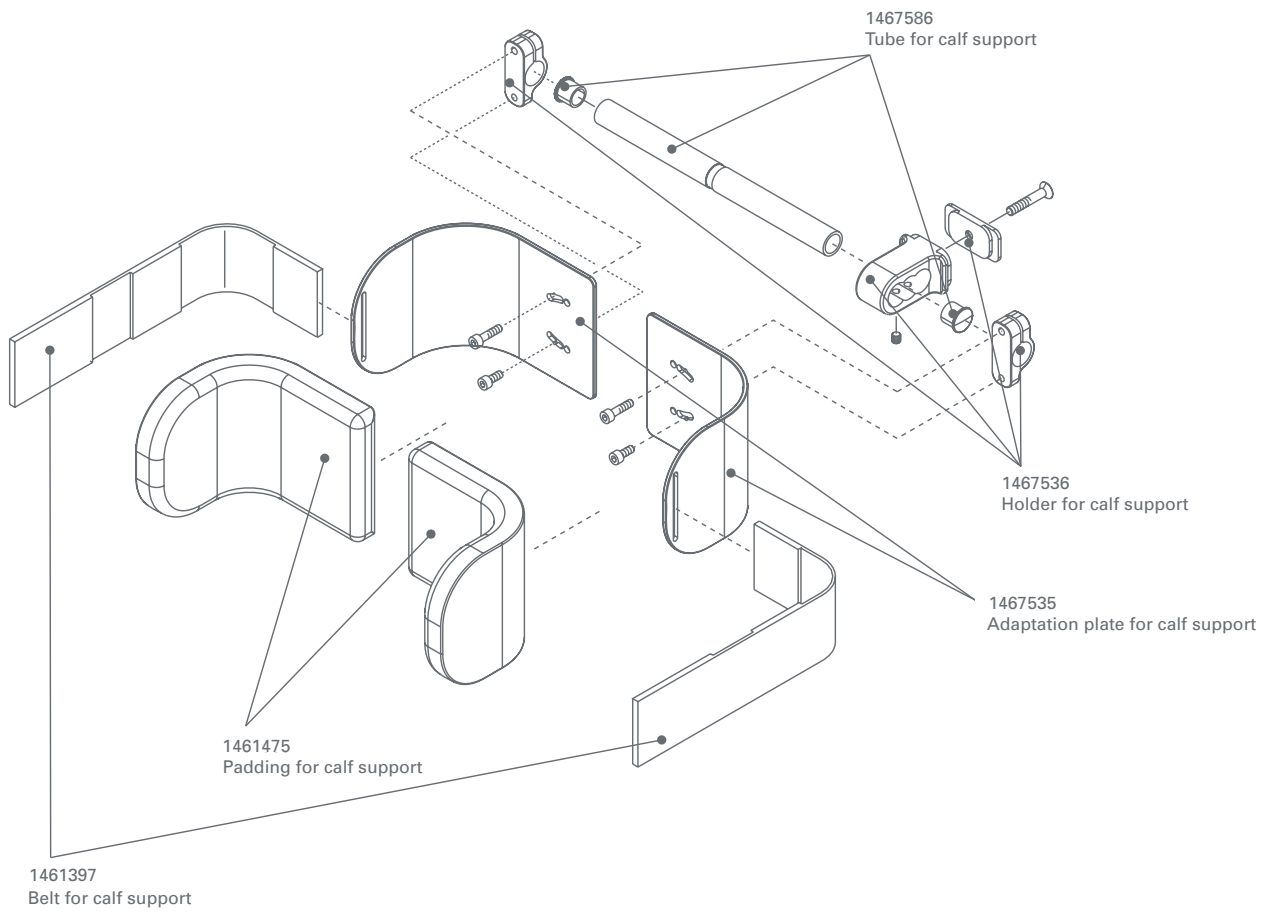


Lateral supports



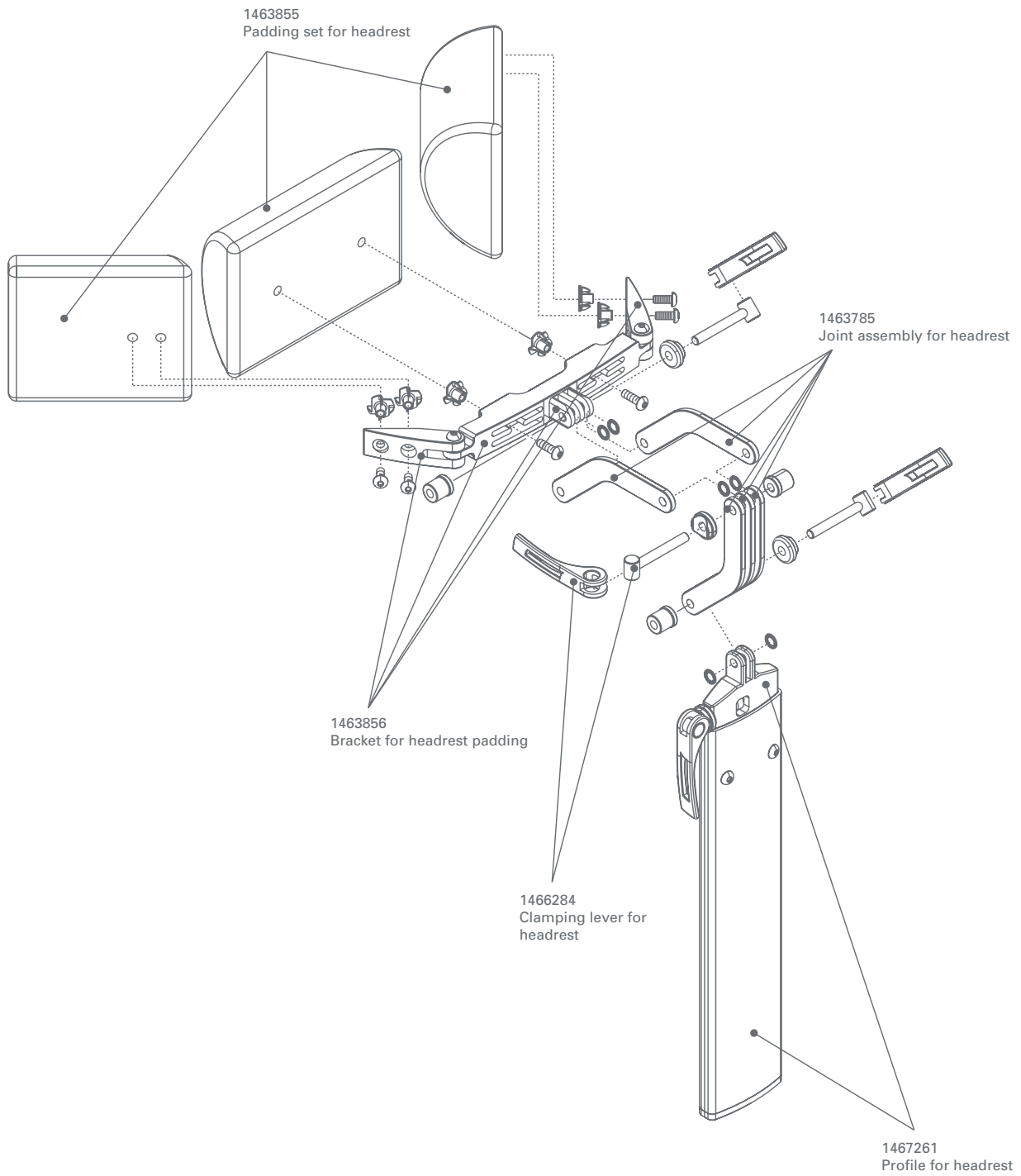


Calf support



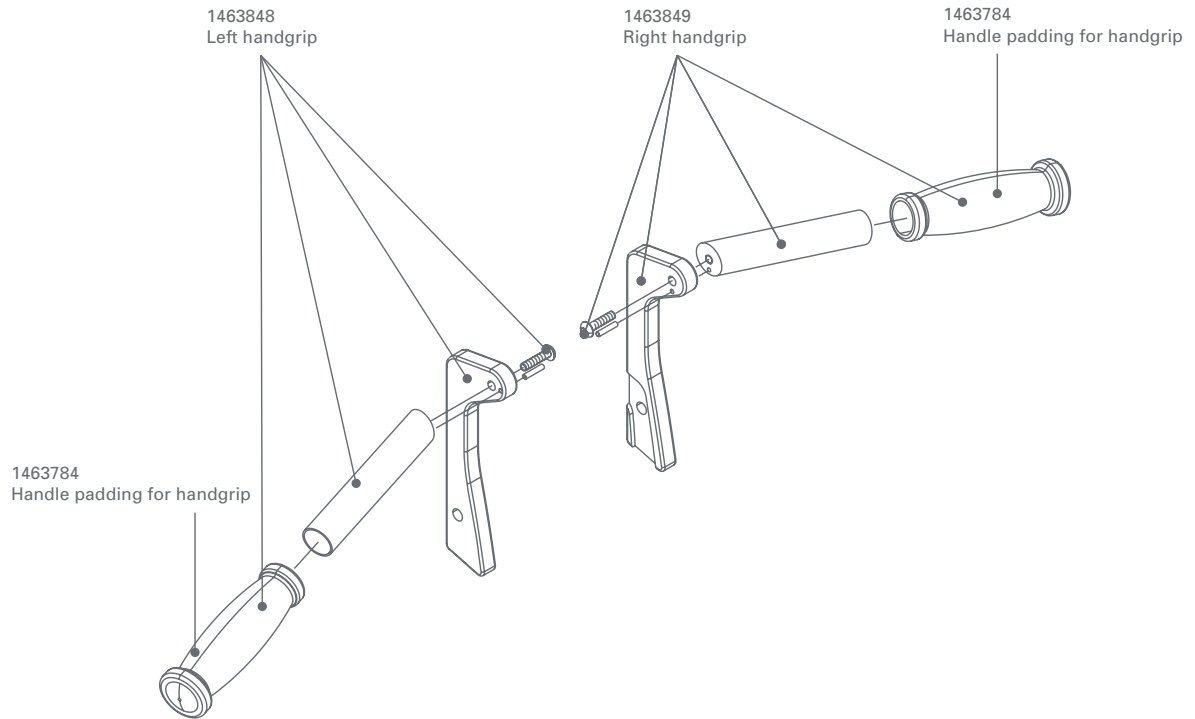


Head rest



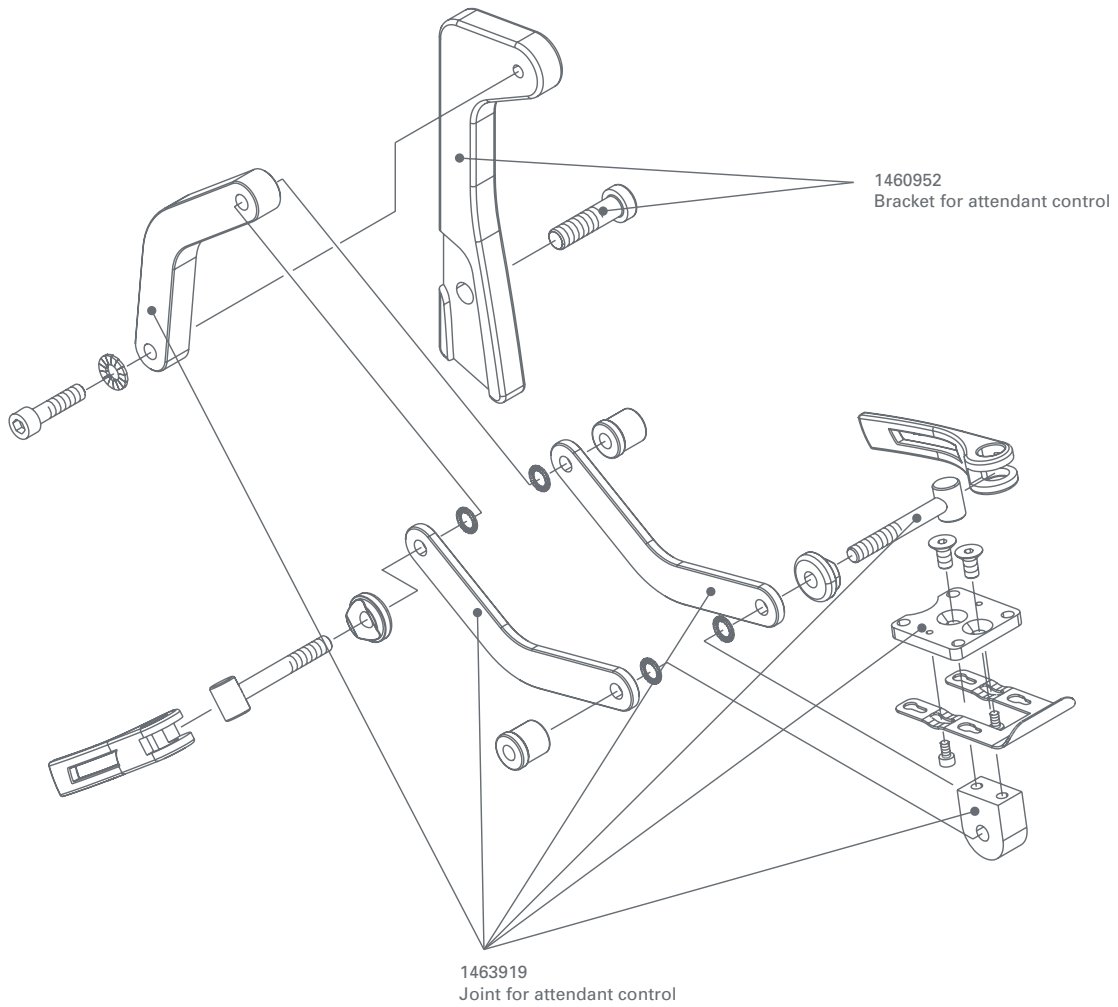


Handgrips



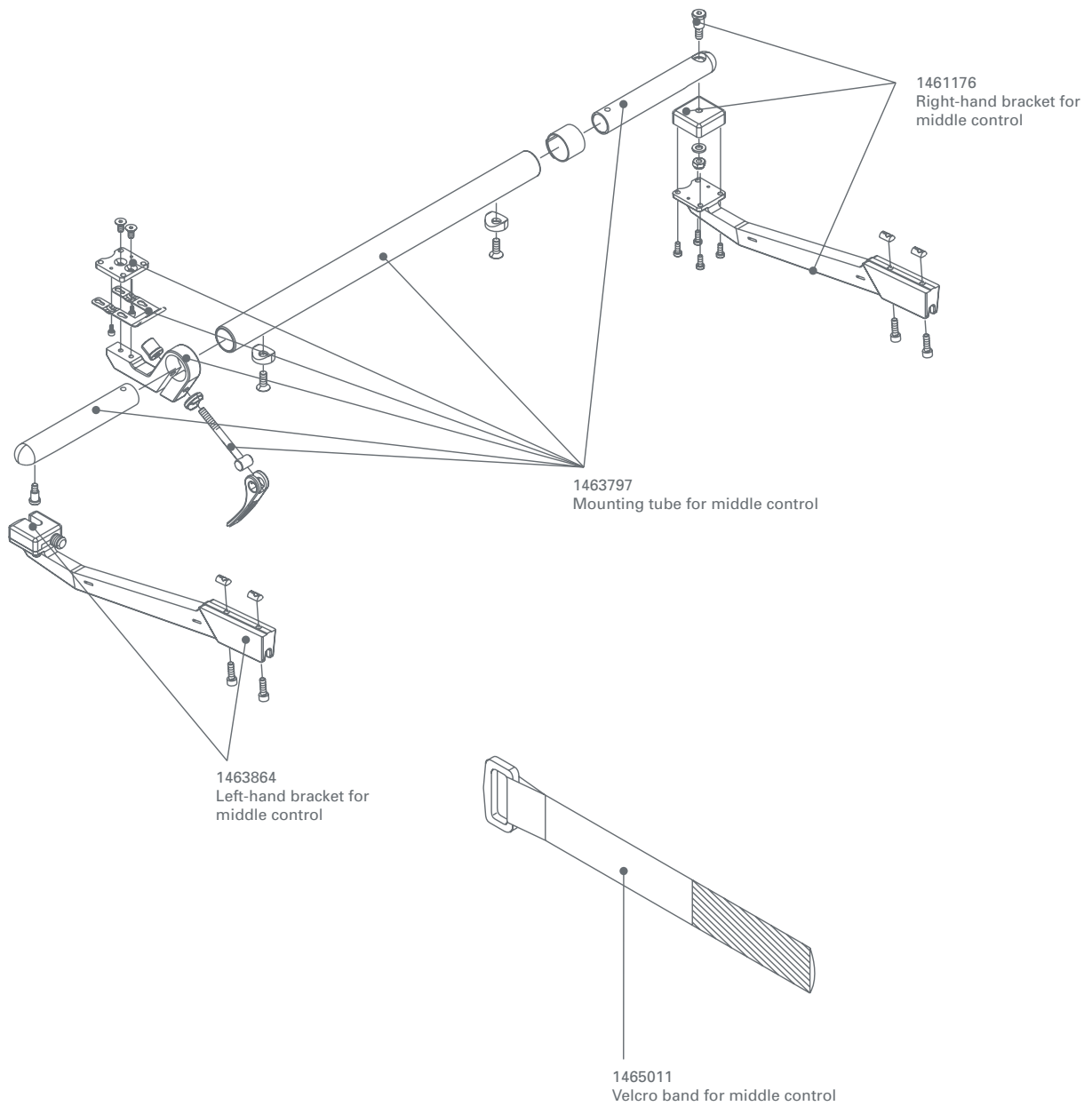


Attendant control



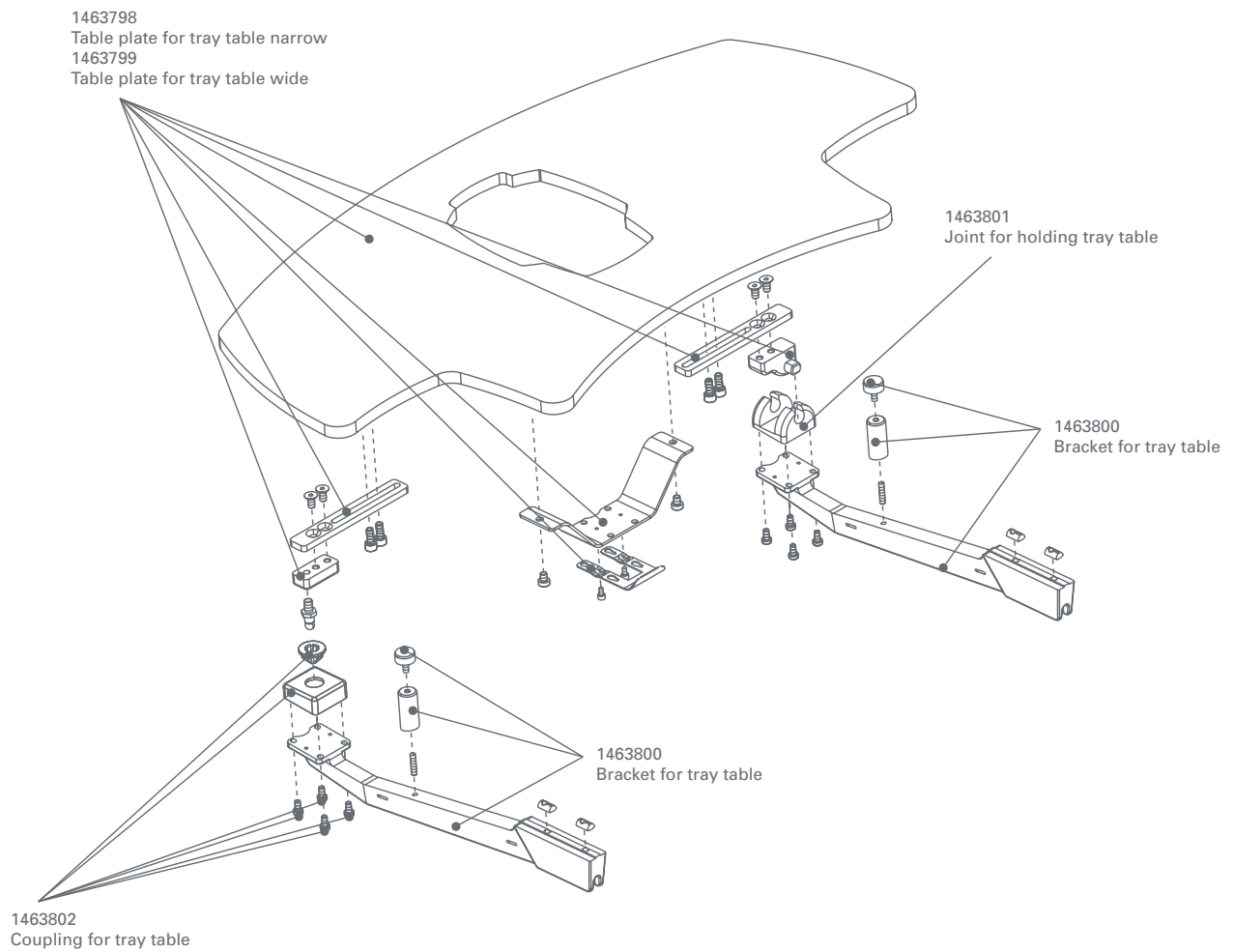


Middle control



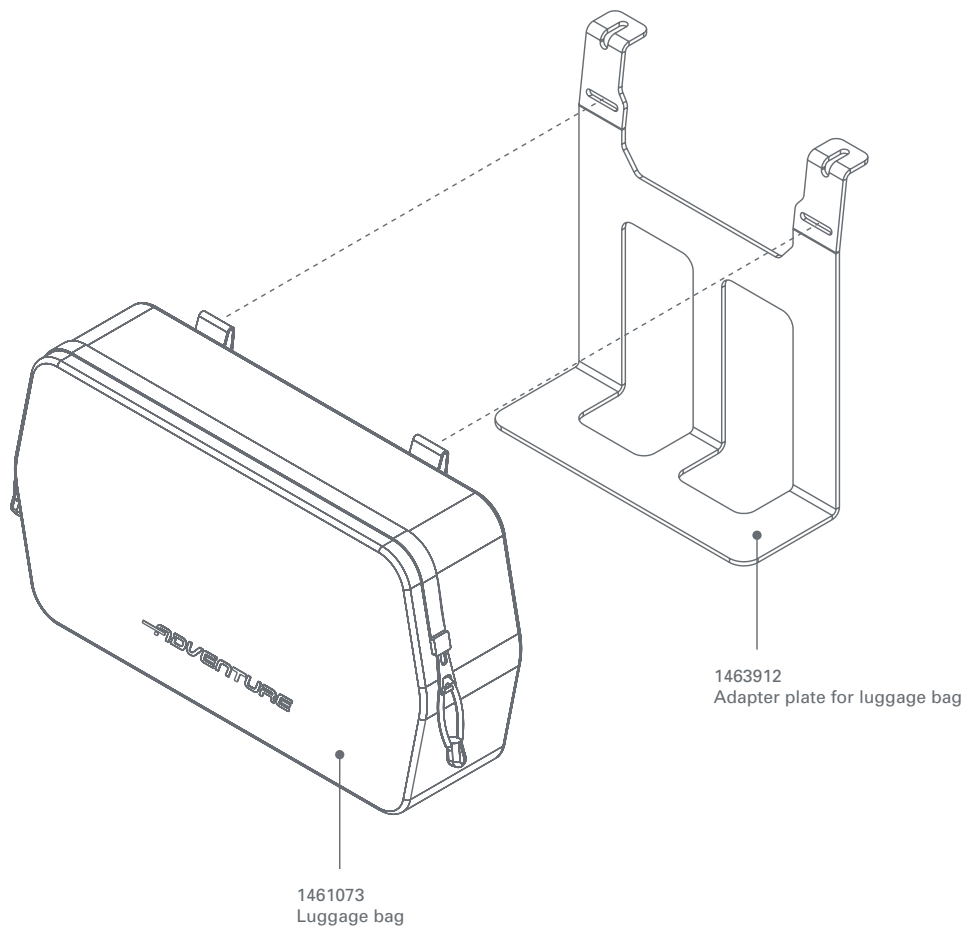


Tray table wide + narrow



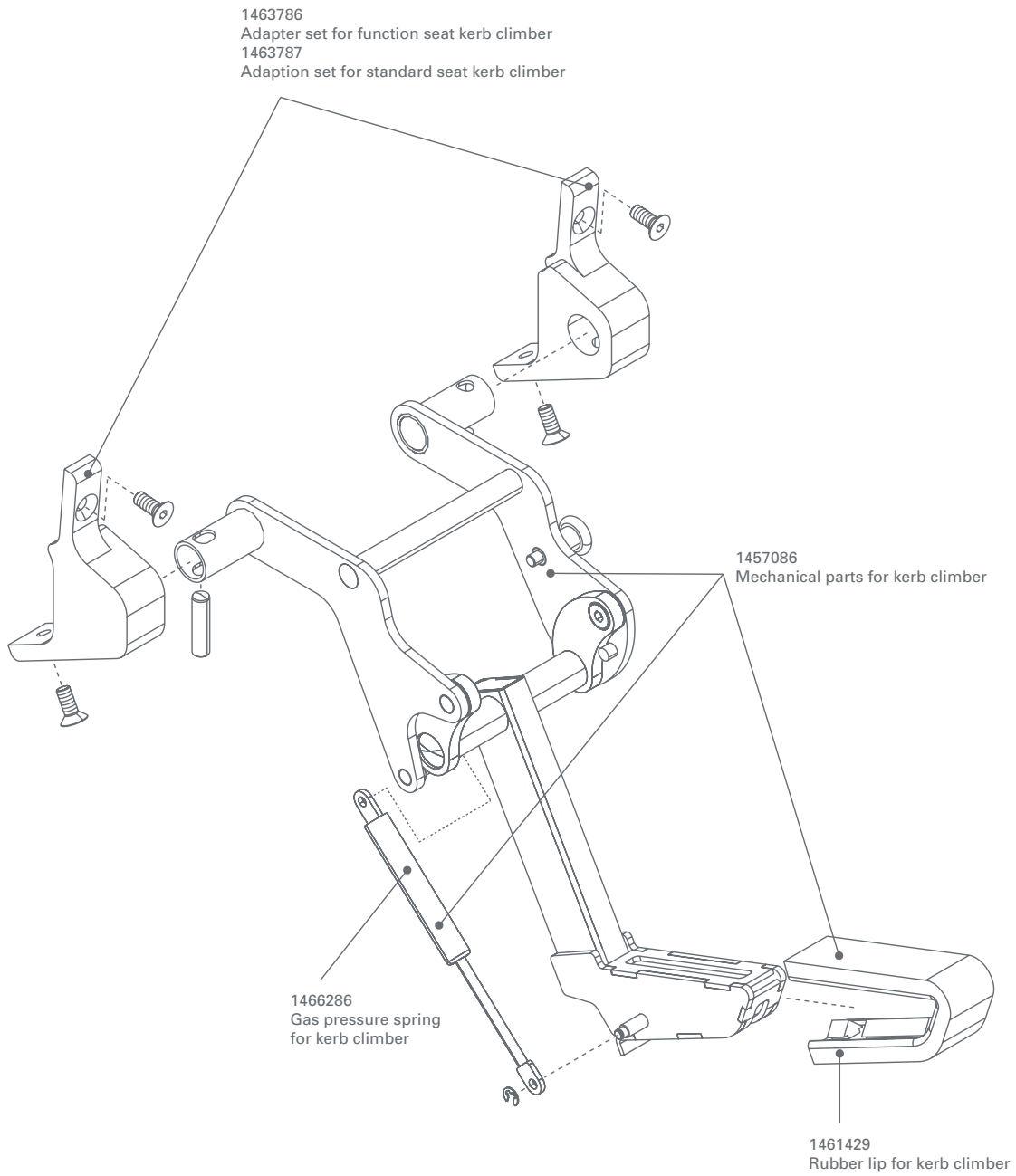


Luggage bag



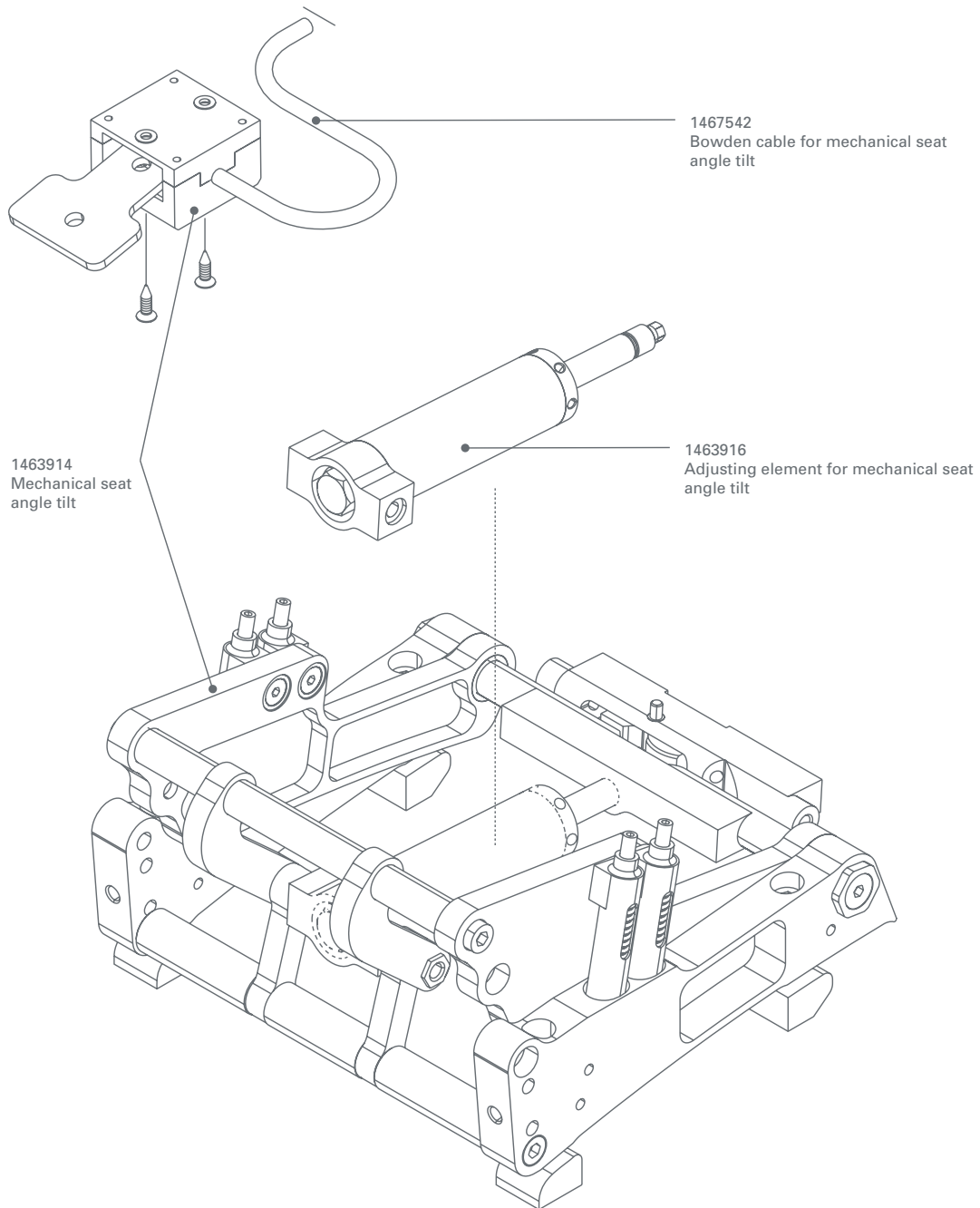


Kerb climber



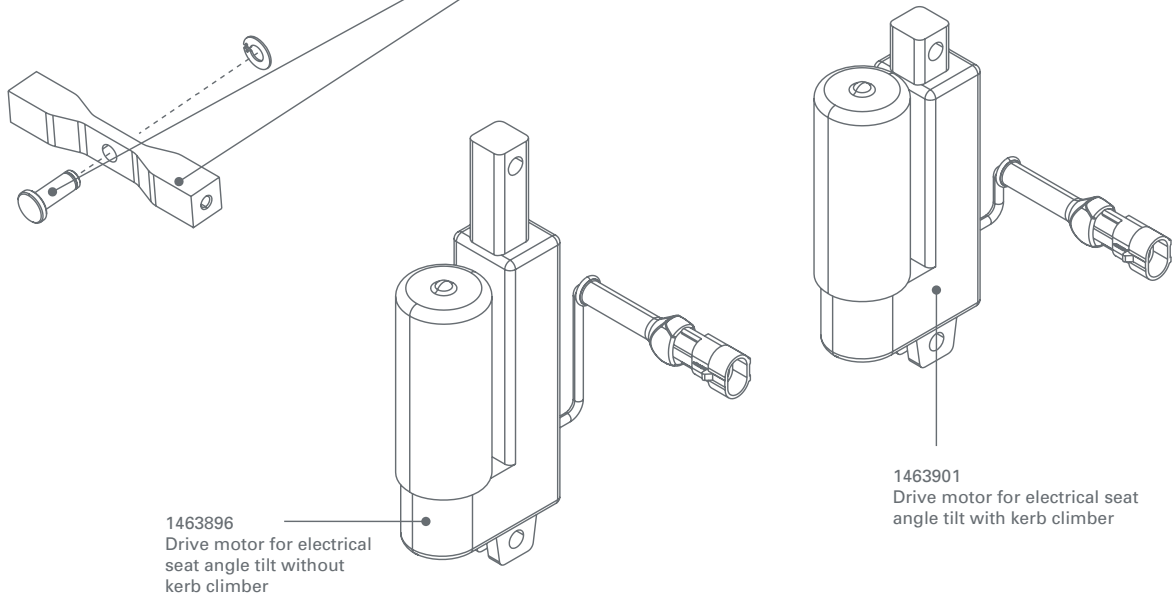
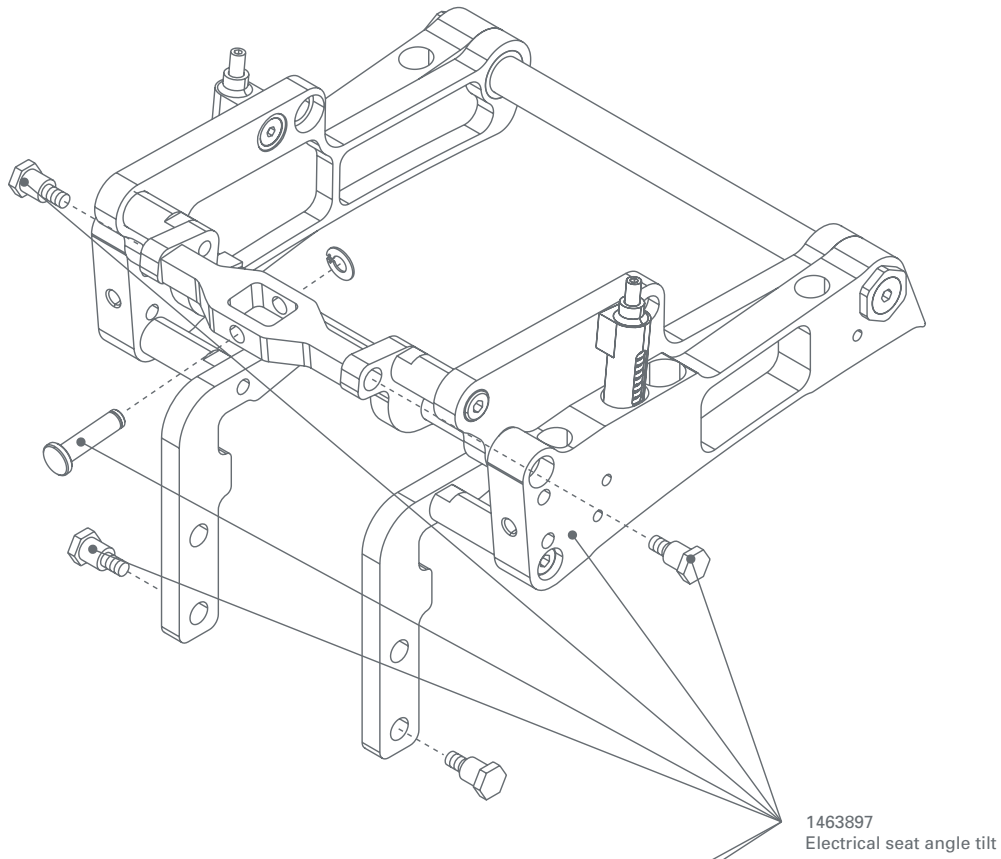


Mechanical seat angle tilt



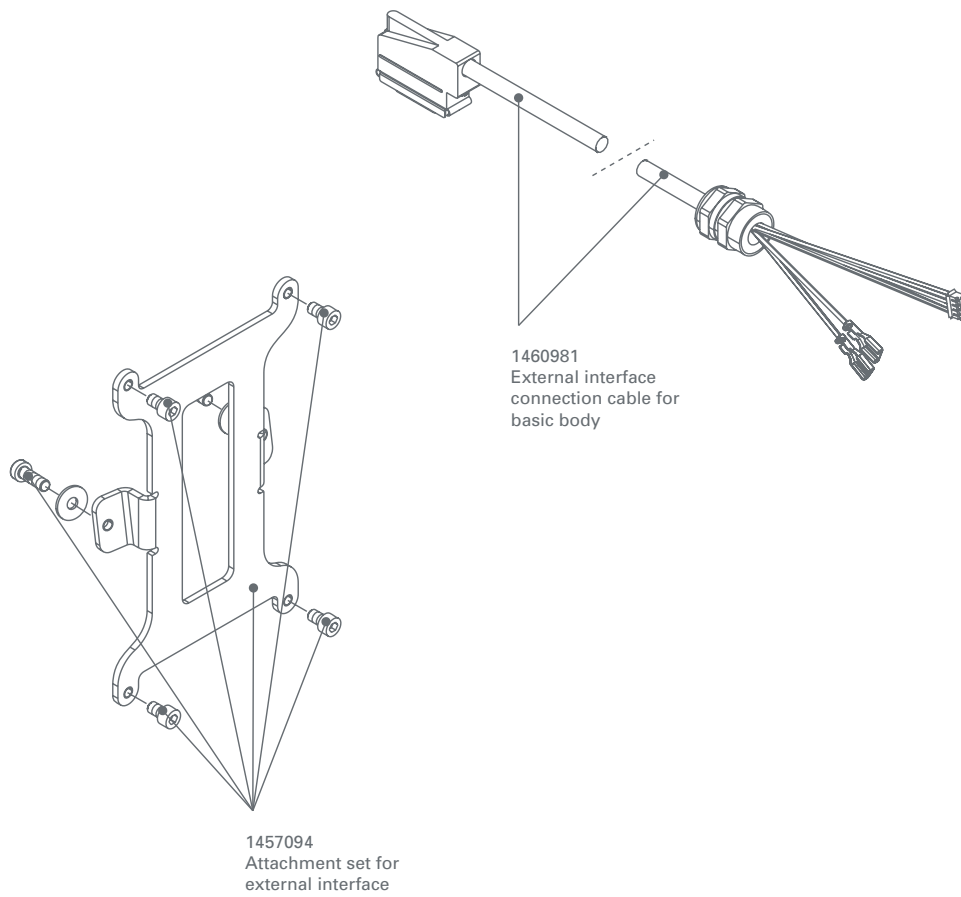


Electrical seat angle tilt





External interface





Charger adapter

